



**850W**  
**BELT SANDER**



**INSTRUCTION MANUAL**

**MODEL NUMBER RT-BS 75**

**AFTER SALES SUPPORT**

**TEL: 1300 922 271**

**EMAIL: [service.australia@einhell.com](mailto:service.australia@einhell.com)**

**✓ N26704**

# 1 Belt Sander

## What your 3 year warranty means

Great care has gone into the manufacture of this product and it should therefore provide you with years of good service when used properly. In the event of product failure within its intended use over the course of the first 3 years after the date of purchase, we will remedy the problem as quickly as possible once it has been brought to our attention. In the unlikely event of such an occurrence, or if you require any information about the product, please contact us via our after sales support services, details of which can be found in this manual and on the product itself.

## Welcome Section

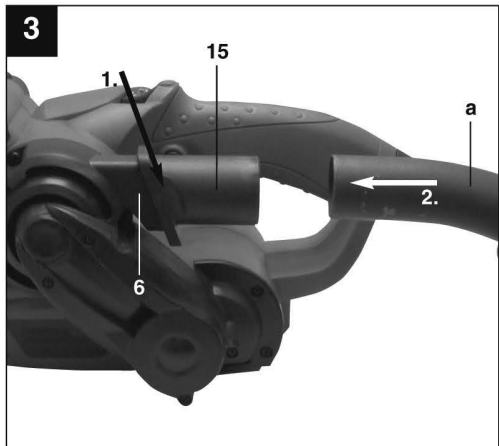
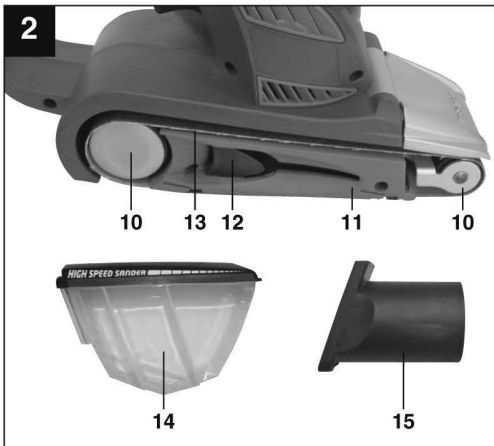
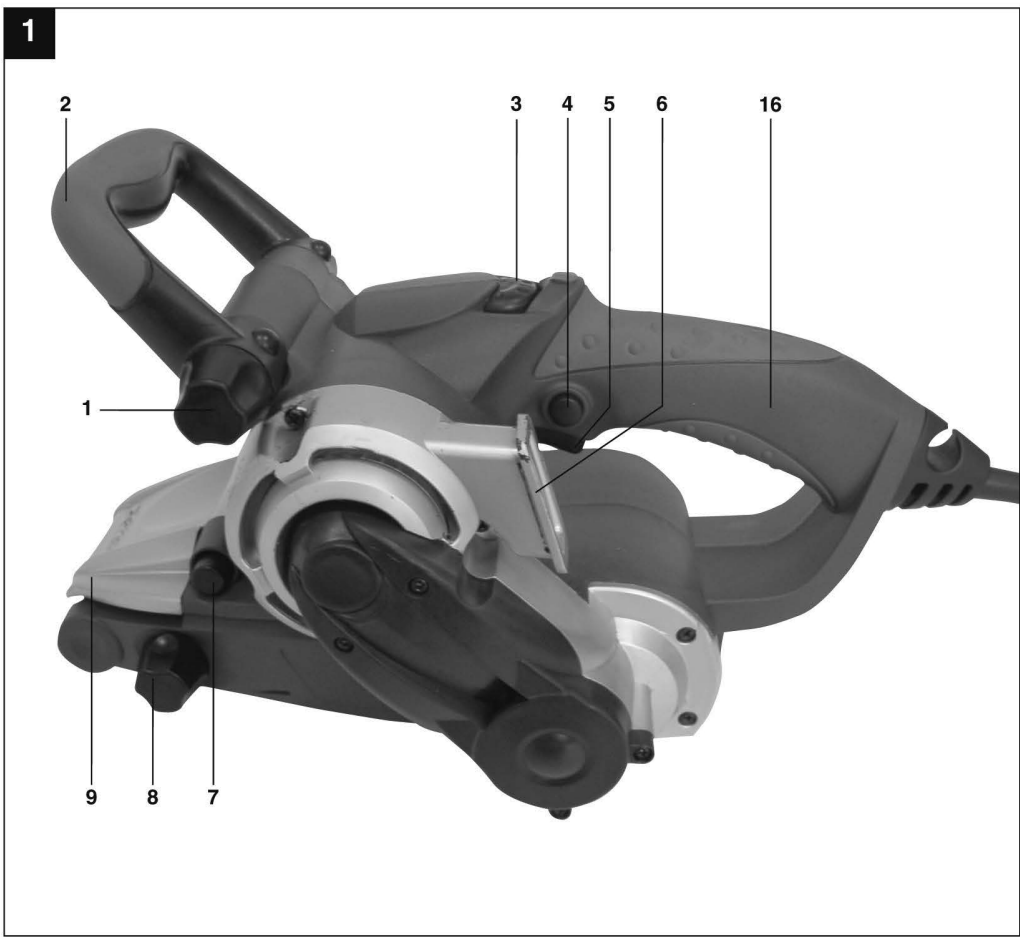
Congratulations on choosing to buy a TAURUS TITANIUM® product.

All products brought to you by TAURUS TITANIUM® are manufactured to the highest standards of performance and safety, and, as part of our philosophy of customer service and satisfaction, are backed by our comprehensive 3 Year Warranty.

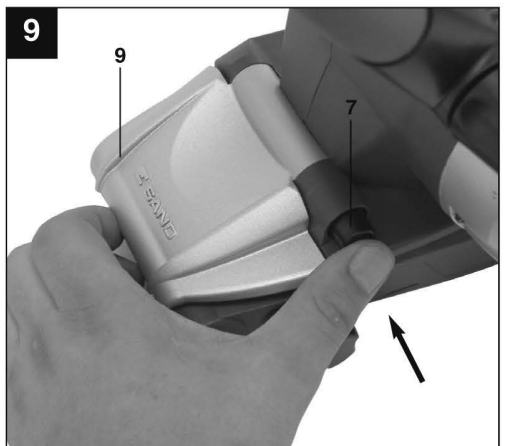
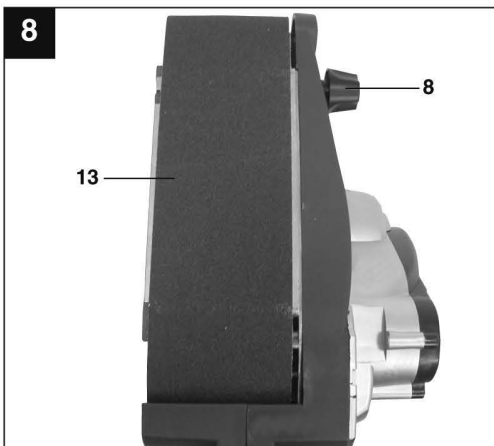
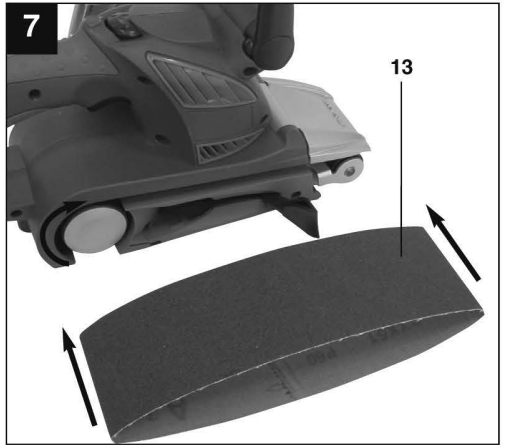
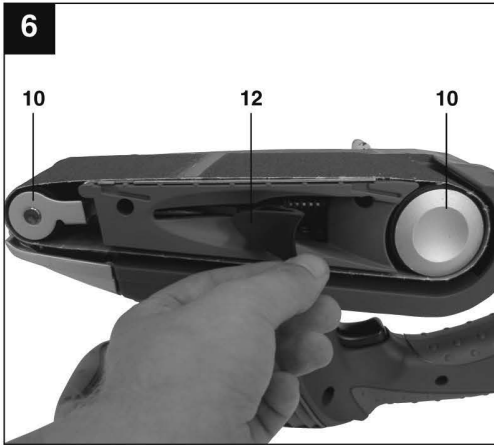
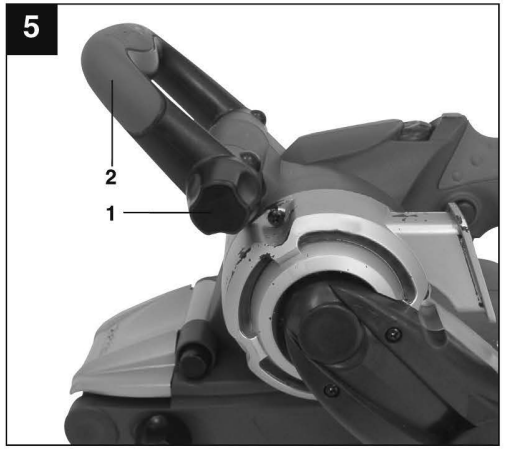
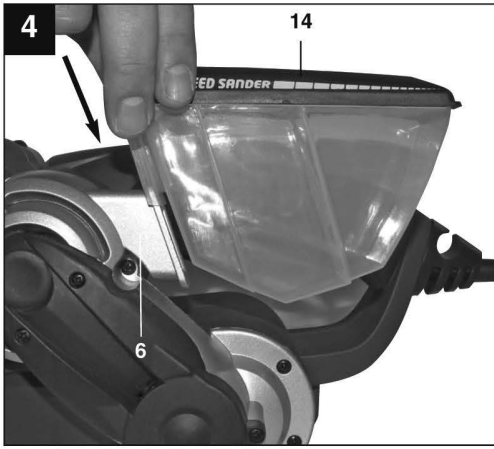
We hope you will enjoy using your purchase for many years to come.

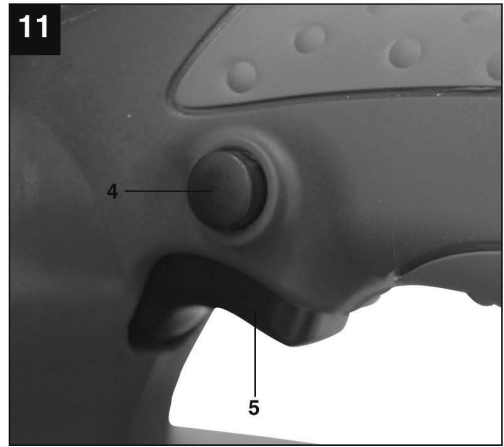
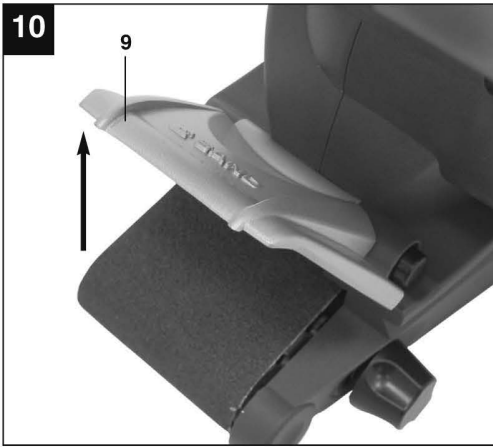
## Table of Contents

1. General Safety Rules	Pg. 5
2. Layout	Pg. 6
3. Proper Use	Pg. 6
4. Technical Data	Pg. 6
5. Before Starting the Equipment	Pg. 7
6. Starting Up	Pg. 8
7. Replacing the Power Cable	Pg. 8
8. Cleaning, Maintenance and Ordering of Spare Parts	Pg. 8
9. Disposal and Recycling	Pg. 8

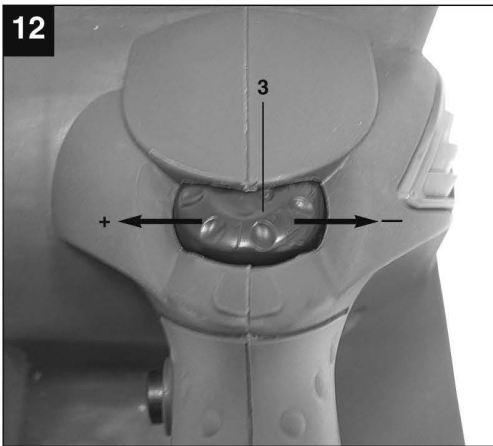


3





4



## 1. GENERAL SAFETY RULES

**WARNING!** Read all instructions. *Failure to follow all instructions listed below may result in electric shock, fire and/or serious injury. The term "power tool" in all of the warnings listed below refers to your mains-operated (corded) power tool or battery-operated (cordless) power tool.*

### SAVE THESE INSTRUCTIONS

#### 1. Work area

- Keep work area clean and well lit.** *Cluttered and dark areas invite accidents.*
- Do not operate power tools in explosive atmospheres, such as in the presence of flammable liquids, gases or dust.** *Power tools create sparks which may ignite the dust or fumes.*
- Keep children and bystanders away while operating a power tool.** *Distractions can cause you to lose control.*

#### 2. Electrical safety

- Power tools plugs must match the outlet. Never modify the plug in any way.** *Do not use any adapter plugs with earthed (grounded) power tool. Unmodified plugs and matching outlets will reduce risk of electric shock.*
- Avoid body contact with earthed or grounded surfaces such as pipes, radiators, ranges and refrigerators.** *There is an increased risk of electric shock if your body is earthed or grounded.*
- Do not expose power tools to rain or wet conditions.** *Water entering a power tool will increase the risk of electric shock.*
- Do not abuse the cord. Never use the cord for carrying, pulling or unplugging the power tool. Keep cord away from heat, oil, sharp edges or moving parts.** *Damaged or entangled cords increase the risk of electric shock.*
- When operating a power tool outdoors, use an extension cord suitable for outdoor use.** *Use of a cord suitable for outdoor use reduces the risk of electric shock.*
- If operating a power tool in a damp location is unavoidable, use a residual current device (RCD) protected supply.** *Use of an RCD reduces the risk of electric shock.*

#### 3. Personal safety

- Stay alert, watch what you are doing and use common sense when operating a power tool. Do not use a power tool while you are tired or under the influence of drugs, alcohol or medication.** *A moment of inattention while operating power tools may result in serious personal injury.*
- Use safety equipment. Always wear eye protection.** *Safety equipment such as a dust mask, non-skid safety shoes, hard hat, or hearing protection used for appropriate conditions will reduce personal injuries.*

- Avoid accidental starting. Ensure the switch is in the off-position before plugging in.** *Carrying power tools with your finger on the switch or plugging in power tools that have the switch on invites accidents.*
  - Remove any adjusting key or wrench before turning the power tool on.** *A wrench or a key left attached to rotating part of the power tool may result in personal injury.*
  - Do not overreach. Keep proper footing and balance at all times.** *This enables better control of the power tool in unexpected situations.*
  - Dress properly. Do not wear loose clothing or jewellery. Keep your hair, clothing and gloves away from moving parts.** *Loose clothes, jewellery or long hair can be caught in moving parts.*
  - If devices are provided for the connection of dust extraction and collection facilities, ensure these are connected and properly used.** *Use of these devices can reduce dust-related hazards.*
- #### 4. Power tool use and care
- Do not force the power tool. Use the correct power tool for your application.** *The correct power tool will do the job better and safer at the rate for which it was designed.*
  - Do not use the power tool if the switch does not turn it on and off.** *Any power tool that cannot be controlled with the switch is dangerous and must be repaired.*
  - Disconnect the plug from the power source and/ or the battery pack from the power tool before making any adjustments, changing accessories, or storing power tools.** *Such preventive safety measures reduce the risk of starting the power tool accidentally.*
  - Store idle power tools out of the reach of children and do not allow persons unfamiliar with the power tool or these instructions to operate the power tool.** *Power tools are dangerous in the hands of untrained users.*
  - Maintain power tools. Check for misalignment or binding of moving parts, breakage of parts and any other condition that may affect the power tools operation. If damaged, have the power tool repaired before use.** *Many accidents are caused by poorly maintained power tools.*
  - Keep cutting tools sharp and clean.** *Properly maintained cutting tools with sharp cutting edges are less likely to bind and are easier to control.*
  - Use the power tool, accessories and tool bits etc. in accordance with these instructions and in the manner intended for the particular type of power tool, taking into account the working conditions and the work to be performed.** *Use of the power tool for operations different from those intended could result in a hazardous situation.*

## 5. Service

- a. **Have your power tool serviced by a qualified repair person using only identical replacement parts.** *This will ensure that the safety of the power tool is maintained.*

## 6. Recommendation

We recommend that the tool always be supplied via a residual current device with a rated residual current of 30 mA or less.

## Belt Sander Safety Warnings

- a. **Wear ear protectors when sanding.** *Exposure to noise can cause hearing loss.*
- b. **Use auxiliary handle(s), if supplied with the tool.** *Loss of control can cause personal injury.*
- c. **Hold power tool by insulated gripping surfaces, when performing an operation where the sanding accessory may come in contact with hidden wiring or its own cord.** *Sanding accessory contacting a "live" wire may make exposed metal parts of the power tool "live" and could give the operator an electric shock.*

**Do not lose this safety information.**



**"Caution - Read the operating instructions to reduce the risk of injury."**



**Wear ear-muffs.**  
The impact of noise can cause damage to hearing.



**Wear a breathing mask.**  
Dust which is injurious to health can be generated when working on wood and other materials. Never use the device to work on any materials containing asbestos!



**Wear safety goggles.**  
Sparks generated during working or splinters, chips and dust emitted by the device can cause loss of sight.

## Important!

When using equipment, a few safety precautions must be observed to avoid injuries and damage. Please read the complete operating manual with due care. Keep this manual in a safe place, so that the information is available at all times. If you give the equipment to any other person, give them these operating instructions as well.

We accept no liability for damage or accidents which arise due to non-observance of these instructions and the safety information.

## 2. Layout

1. Screw to adjust the additional handle
2. Additional handle
3. Setting wheel for belt speed
4. Locking button
5. ON/OFF switch
6. Connection for dust bag
7. Push button for moving sanding belt cover
8. Setting for sanding belt adjustment
9. Moving sanding belt cover
10. Drive rollers
11. Sanding plate
12. Clamping lever for sanding belt
13. Sanding belt
14. Dust collection box
15. Dust extractor adapter
16. Handle

## 3. Proper use

The belt sander is designed for sanding wood, iron, plastic and similar materials using the appropriate sanding belt. The machine is to be used only for its prescribed purpose. Any other use is deemed to be a case of misuse.

- The user / operator and not the manufacturer will be liable for any damage or injuries of any kind caused as a result of this.

Please note that our equipment has not been designed for use in commercial, trade or industrial applications. Our warranty will be voided if the machine is used in commercial, trade or industrial businesses or for equivalent purposes.

## 4. Technical data

Mains voltage:	230 V- 50 Hz
Power input:	850 W
Belt speed:	300-400 m/min
Sanding belt size:	75 x 533 mm
Protection class:	II /
Weight:	3.2 kg

## Sound and vibration

Sound and vibration values were measured in accordance with EN 60745.

L <sub>pA</sub> sound pressure level	88 dB(A)
K <sub>pA</sub> uncertainty	3 dB
L <sub>WA</sub> sound power level	99 dB(A)
K <sub>WA</sub> uncertainty	3 dB

## 7 Wear ear-muffs.

The impact of noise can cause damage to hearing. Total vibration values (vector sum of three directions) determined in accordance with EN 60745.

### Handle

Vibration emission value  $a_{rh} \leq 2.5 \text{ m/s}^2$   
K uncertainty =  $1.5 \text{ m/s}^2$

### Additional handle

Vibration emission value  $a_{rh} \leq 2.5 \text{ m/s}^2$   
K uncertainty =  $1.5 \text{ m/s}^2$

### IMPORTANT!

The vibration value changes according to the area of application of the electric tool and may exceed the specified value in exceptional circumstances.

Keep the noise emissions and vibrations to a minimum.

- Only use appliances which are in perfect working order.
- Service and clean the appliance regularly.
- Adapt your working style to suit the appliance.
- Do not overload the appliance.
- Have the appliance serviced whenever necessary.
- Switch the appliance off when it is not in use.
- Wear protective gloves.

## 5. Before starting the equipment

Before you connect the equipment to the mains supply make sure that the data on the rating plate are identical to the mains data.

Always pull the power plug before making adjustments to the equipment.

### 5.1 Dust extraction

#### 5.1.1 Installing the dust extractor adapter

(Figure 3/Item 15) Slide the dust extractor adapter (15) on to the connection for the dust extractor (6). You can then connect a suitable dust extractor (a) to the dust extractor adapter (15) (dust extractor not supplied).

This will provide excellent dust extraction on the workpiece. Check that all the parts are properly connected.

#### Important!

The vacuum cleaner you use for the extraction work must be suitable for the workpiece material.

#### 5.1.2 Installing the dust collection box

(Figure 4/Item 14) Push the dust collection box (14) to the dust extractor connection (6). Remove the dust collection box in reverse order.

The dust is extracted directly via the sanding belt into the dust container.

### IMPORTANT!

For health safety reasons it is imperative that you use a dust container or a dust extraction system via the dust extraction adaptor!

### 5.2 Adjusting the additional handle (Fig. 5/Item 2)

Slacken the screw (1) and move the additional handle (2) to its optimal position. Lock the additional handle (2) in place by tightening the screw (1).

### 5.3 Changing the sanding belt (Fig. 6-7/Item 13)

- Pull the clamping lever (12) to the outside to relieve the tension in the sanding belt.
- Pull the used sanding/grinding belt off the drive rollers.
- Slide the new sanding belt on to the drive rollers.
- Ensure that the direction of the sanding belt (arrows on the inside of the sanding belt) is identical to the direction of the belt sander (arrow over the rear drive roller).
- Press the clamping lever (12) to the rear to tension the sanding belt.

### 5.4 Adjusting the position of the belt

(Fig. 8/Item 8)

- Hold the belt sander with the sanding plate at the top.
- Switch on the belt sander.
- By turning the setting screw (8) the belt position should be set so that the sanding belt is at the center of the two drive rollers.

### 5.5 Moving sanding belt cover (Fig. 9 - 10/Item 9)

#### Important!

The moving sanding belt cover may only be swung upwards if the pushbutton (7) has been pressed.

- Press the pushbutton (7) and at the same time swing the cover (9) upwards.
- Release the pushbutton.
- The cover will lock in its end position.
- To swing the cover back down again, press the push button (7) again. The cover can then be swung downwards.



## 6. Starting up

### 6.1 Switching ON/OFF (Fig. 11)

#### To switch on:

Press the ON/OFF switch (5).

#### Continuous operation:

Secure the switch (5) with the locking button (4).

#### To switch off:

Press the ON/OFF switch (5) briefly.

The machine can be operated on a temporary or permanent setting.

### 6.2 Setting the belt speed (Fig. 12/Item 3)

You can select the belt speed by turning the setting knob (3).

#### PLUS direction:

Increase belt speed

#### MINUS direction:

Reduce belt speed

### 6.3 Instructions for use

#### Important!

Never hold the workpiece you wish to sand in your hands. Secure the workpiece on a sturdy surface or using a vise.

- Allow the belt sander to start before you place it on the workpiece.
- Do not switch off the belt sander as long as the sanding belt is in contact with the workpiece.
- Always hold the belt sander with both hands whilst it is in use.
- Always sand wood in the direction of the grain.

## 7. Replacing the power cable

If the power cable for this equipment is damaged, it must be replaced by the manufacturer or its aftersales service or similarly trained personnel to avoid danger.

## 8. Cleaning, maintenance and ordering of spare parts

Always pull out the mains power plug before starting any cleaning work.

### 8.1 Cleaning

- Keep all safety devices, air vents and the motor housing free of dirt and dust as far as possible.

Wipe the equipment with a clean cloth or blow it with compressed air at low pressure.

- We recommend that you clean the device immediately each time you have finished using it.
- Clean the equipment regularly with a moist cloth and some soft soap. Do not use cleaning agents or solvents; these could attack the plastic parts of the equipment. Ensure that no water can seep into the device.

### 8.2 Carbon brushes

In case of excessive sparking, have the carbon brushes checked only by a qualified electrician.

**Important!** The carbon brushes should not be replaced by anyone but a qualified electrician.

### 8.3 Maintenance

There are no parts inside the equipment which require additional maintenance.

### 8.4 Ordering spare parts

Contact our After Sales Support on 1300 922 271 and quote the following data when ordering spare parts:

- Type of machine
- Article number of the machine
- Identification number of the machine
- Spare part number of the part required

## 9. Disposal and recycling

The unit is supplied in packaging to prevent its being damaged in transit. This packaging is raw material and can therefore be reused or can be returned to the raw material system. The unit and its accessories are made of various types of material, such as metal and plastic. Defective components must be disposed of as special waste. Ask your local council.





07/2013

Art.Nr: 44.662.37\_11013 (01)