

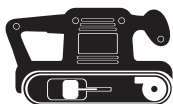
Original operating instructions  
Belt Grinder/Sander

**Einhell**<sup>®</sup>

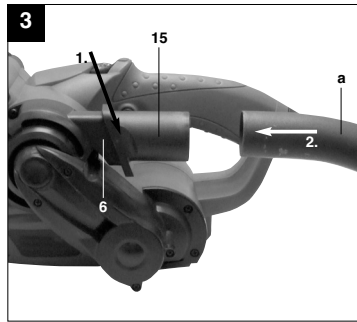
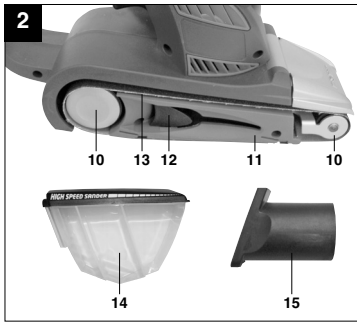
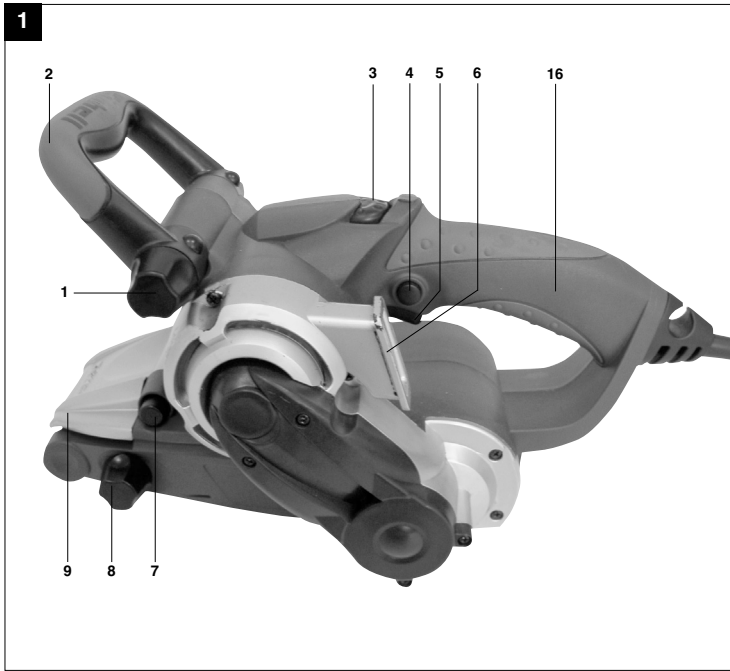
7

Art.-Nr.: 44.662.31

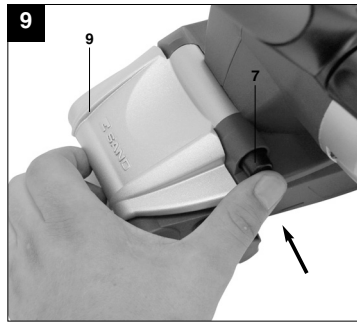
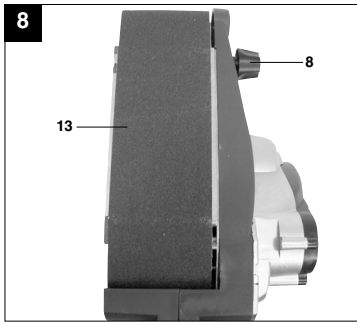
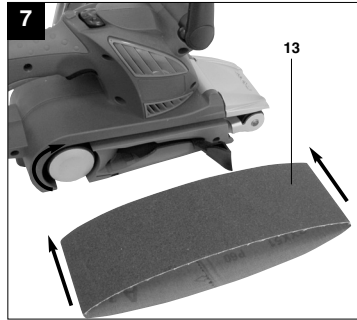
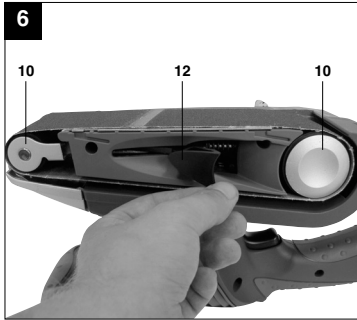
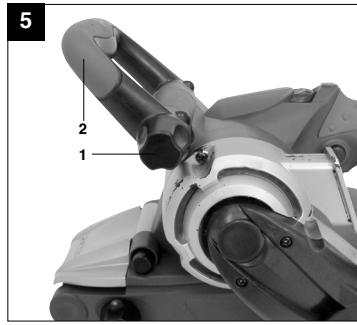
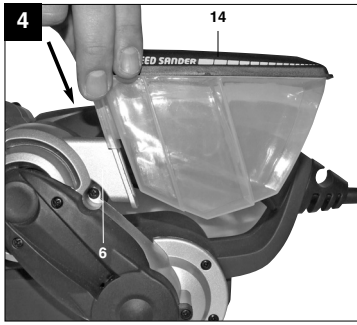
I.-Nr.: 01019

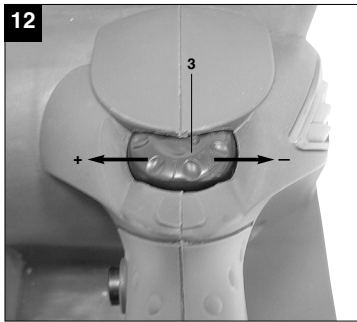
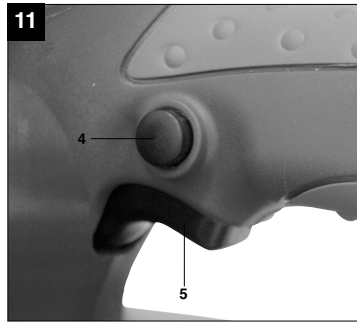
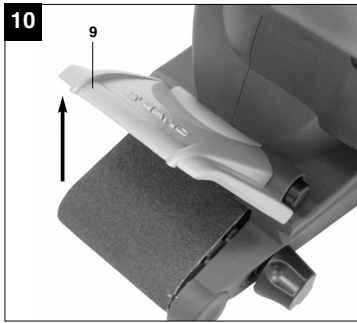


RT-BS **75**



2







"Caution - Read the operating instructions to reduce the risk of injury"



**Wear ear-muffs.**  
The impact of noise can cause damage to hearing.



**Wear a breathing mask.**  
Dust which is injurious to health can be generated when working on wood and other materials.  
Never use the device to work on any materials containing asbestos!



**Wear safety goggles.**  
Sparks generated during working or splinters, chips and dust emitted by the device can cause loss of sight.

**GB****⚠ Important!**

When using equipment, a few safety precautions must be observed to avoid injuries and damage. Please read the complete operating manual with due care. Keep this manual in a safe place, so that the information is available at all times. If you give the equipment to any other person, give them these operating instructions as well.  
We accept no liability for damage or accidents which arise due to non-observance of these instructions and the safety information.

**1. Safety information**

Please refer to the booklet included in delivery for the safety instructions.

**⚠ CAUTION!**

**Read all safety regulations and instructions.**

Any errors made in following the safety regulations and instructions may result in an electric shock, fire and/or serious injury.

**Keep all safety regulations and instructions in a safe place for future use.**

**2. Layout and items supplied (Fig. 1 – 2)**

1. Screw to adjust the additional handle
2. Additional handle
3. Setting wheel for belt speed
4. Locking button
5. ON/OFF switch
6. Connection for dust bag
7. Pushbutton for moving sanding/grinding belt cover
8. Setting for sanding/grinding belt adjustment
9. Moving sanding/grinding belt cover
10. Drive rollers
11. Sanding/grinding plate
12. Clamping lever for sanding/grinding belt
13. Sanding/Grinding belt
14. Dust collection box
15. Dust extractor adapter
16. Handle


**3. Proper use**

The belt sander/grinder is designed for sanding/grinding wood, iron, plastic and similar materials using the appropriate sanding/grinding belt.

The machine is to be used only for its prescribed purpose. Any other use is deemed to be a case of misuse. The user / operator and not the manufacturer will be liable for any damage or injuries of any kind caused as a result of this.

Please note that our equipment has not been designed for use in commercial, trade or industrial applications. Our warranty will be voided if the machine is used in commercial, trade or industrial businesses or for equivalent purposes.

**4. Technical data**

Mains voltage:	230 V~ 50 Hz
Power input:	850 W
Belt speed:	300-400 m/min
Sanding/Grinding belt size:	75 x 533 mm
Protection class:	II / 
Weight:	3.2 kg

**Sound and vibration**

Sound and vibration values were measured in accordance with EN 60745.

$L_{pA}$ sound pressure level	88 dB(A)
$K_{pA}$ uncertainty	3 dB
$L_{WA}$ sound power level	99 dB(A)
$K_{WA}$ uncertainty	3 dB

**Wear ear-muffs.**

The impact of noise can cause damage to hearing.

Total vibration values (vector sum of three directions) determined in accordance with EN 60745.

**Handle**

Vibration emission value  $a_h \leq 2,5 \text{ m/s}^2$   
K uncertainty = 1,5  $\text{m/s}^2$

**Additional handle**

Vibration emission value  $a_h \leq 2,5 \text{ m/s}^2$   
K uncertainty = 1,5  $\text{m/s}^2$

**⚠ Important!**

The vibration value changes according to the area of application of the electric tool and may exceed the specified value in exceptional circumstances.

**Keep the noise emissions and vibrations to a minimum.**

- Only use appliances which are in perfect working order.
- Service and clean the appliance regularly.
- Adapt your working style to suit the appliance.
- Do not overload the appliance.
- Have the appliance serviced whenever necessary.
- Switch the appliance off when it is not in use.
- Wear protective gloves.

**5. Before starting the equipment**

Before you connect the equipment to the mains supply make sure that the data on the rating plate are identical to the mains data.

Always pull the power plug before making adjustments to the equipment.

**5.1 Dust extraction****5.1.1 Installing the dust extractor adapter (Figure 3/Item 15)**

Slide the dust extractor adapter (15) on to the connection for the dust extractor (6).

You can then connect a suitable dust extractor (a) to the dust extractor adapter (15) (dust extractor not supplied).

This will provide excellent dust extraction on the workpiece.

Check that all the parts are properly connected.

Important. The vacuum cleaner you use for the extraction work must be suitable for the workpiece material.

**5.1.2 Installing the dust collection box (Figure 4/Item 14)**

Push the dust collection box (14) to the dust extractor connection (6). Remove the dust collection box in reverse order.

The dust is extracted directly via the grinding/sanding belt into the dust container.

**⚠ Important.**

For health safety reasons it is imperative that you use a dust container or a dust extraction system via the dust extraction adaptor!

**5.2 Adjusting the additional handle (Fig. 5/Item 2)**

Slacken the screw (1) and move the additional handle (2) to its optimal position. Lock the additional handle (2) in place by tightening the screw (1).

**5.3 Changing the sanding / grinding belt (Fig. 6-7/Item 13)**

- Pull the clamping lever (12) to the outside to relieve the tension in the sanding/grinding belt.
- Pull the used sanding/grinding belt off the drive rollers.
- Slide the new sanding/grinding belt on to the drive rollers.
- Ensure that the direction of the sanding/grinding belt (arrows on the inside of the sanding/grinding belt) is identical to the direction of the belt sander/grinder (arrow over the rear drive roller).
- Press the clamping lever (12) to the rear to tension the sanding/grinding belt.

**5.4 Adjusting the position of the belt (Fig. 8/Item 8)**

- Hold the belt sander/grinder with the sanding/grinding plate at the top.
- Switch on the belt sander/grinder.
- By turning the setting screw (8) the belt position should be set so that the sanding/grinding belt is at the center of the two drive rollers.

**5.5 Moving sanding/grinding belt cover (Fig. 9 – 10/Item 9)****Important.**

The moving sanding/grinding belt cover may only be swung upwards if the pushbutton (7) has been pressed.

- Press the pushbutton (7) and at the same time swing the cover (9) upwards.
- Release the pushbutton.
- The cover will lock in its end position.
- To swing the cover back down again, press the pushbutton (7) again. The cover can then be swung downwards.

GB

## 6. Starting up

### 6.1 Switching ON/OFF (Fig. 11)

#### To switch on:

Press the ON/OFF switch (5).

#### Continuous operation:

Secure the switch (5) with the locking button (4).

#### To switch off:

Press the ON/OFF switch (5) briefly.

#### The machine can be operated on a temporary or permanent setting.

### 6.2 Setting the belt speed (Fig. 12/Item 3)

You can select the belt speed by turning the setting knob (3).

#### PLUS direction:

Increase belt speed

#### MINUS direction:

Reduce belt speed

### 6.3 Instructions for use

**Important.** Never hold the workpiece you wish to sand/grind in your hands. Secure the workpiece on a sturdy surface or using a vise.

- Allow the belt sander/grinder to start before you place it on the workpiece.
- Do not switch off the belt sander/grinder as long as the sanding/grinding belt is in contact with the workpiece.
- Always hold the belt sander/grinder with both hands whilst it is in use.
- Always sand wood in the direction of the grain.

## 7. Replacing the power cable

If the power cable for this equipment is damaged, it must be replaced by the manufacturer or its after-sales service or similarly trained personnel to avoid danger.

## 8. Cleaning, maintenance and ordering of spare parts

Always pull out the mains power plug before starting any cleaning work.

### 8.1 Cleaning

- Keep all safety devices, air vents and the motor housing free of dirt and dust as far as possible. Wipe the equipment with a clean cloth or blow it with compressed air at low pressure.
- We recommend that you clean the device immediately each time you have finished using it.
- Clean the equipment regularly with a moist cloth and some soft soap. Do not use cleaning agents or solvents; these could attack the plastic parts of the equipment. Ensure that no water can seep into the device.

### 8.2 Carbon brushes

In case of excessive sparking, have the carbon brushes checked only by a qualified electrician. Important! The carbon brushes should not be replaced by anyone but a qualified electrician.

### 8.3 Maintenance

There are no parts inside the equipment which require additional maintenance.

### 8.4 Ordering replacement parts

Please quote the following data when ordering replacement parts:

- Type of machine
- Article number of the machine
- Identification number of the machine
- Replacement part number of the part required

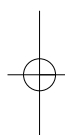
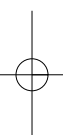
For our latest prices and information please go to [www.isc-gmbh.info](http://www.isc-gmbh.info)

## 9. Disposal and recycling

The unit is supplied in packaging to prevent its being damaged in transit. This packaging is raw material and can therefore be reused or can be returned to the raw material system.

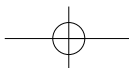
The unit and its accessories are made of various types of material, such as metal and plastic. Defective components must be disposed of as special waste. Ask your dealer or your local council.





©  
The reprinting or reproduction by any other means, in whole or in part,  
of documentation and papers accompanying products is permitted only  
with the express consent of ISC GmbH.

• Technical changes subject to change







# **GUARANTEE CERTIFICATE**

## Dear Customer,

All of our products undergo strict quality checks to ensure that they reach you in perfect condition. In the unlikely event that your device develops a fault, please contact our service department at the address shown on this guarantee card. Of course, if you would prefer to call us then we are also happy to offer our assistance under the service number printed below. Please note the following terms under which guarantee claims can be made:

1. These guarantee terms cover additional guarantee rights and do not affect your statutory warranty rights. We do not charge you for this guarantee.
2. Our guarantee only covers problems caused by material or manufacturing defects, and it is restricted to the rectification of these defects or replacement of the device. Please note that our devices have not been designed for use in commercial, trade or industrial applications. Consequently, the guarantee is invalidated if the equipment is used in commercial, trade or industrial applications or for other equivalent activities. The following are also excluded from our guarantee: compensation for transport damage, damage caused by failure to comply with the installation/assembly instructions or damage caused by unprofessional installation, failure to comply with the operating instructions (e.g. connection to the wrong mains voltage or current type), misuse or inappropriate use (such as overloading of the device or use of non-approved tools or accessories), failure to comply with the maintenance and safety regulations, ingress of foreign bodies into the device (e.g. sand, stones or dust), effects of force or external influences (e.g. damage caused by the device being dropped) and normal wear resulting from proper operation of the device. This applies in particular to rechargeable batteries for which we nevertheless issue a guarantee period of 12 months.  
  
The guarantee is rendered null and void if any attempt is made to tamper with the device.
3. The guarantee is valid for a period of 2 years starting from the purchase date of the device. Guarantee claims should be submitted before the end of the guarantee period within two weeks of the defect being noticed. No guarantee claims will be accepted after the end of the guarantee period. The original guarantee period remains applicable to the device even if repairs are carried out or parts are replaced. In such cases, the work performed or parts fitted will not result in an extension of the guarantee period, and no new guarantee will become active for the work performed or parts fitted. This also applies when an on-site service is used.
4. In order to assert your guarantee claim, please send your defective device postage-free to the address shown below. Please enclose either the original or a copy of your sales receipt or another dated proof of purchase. Please keep your sales receipt in a safe place, as it is your proof of purchase. It would help us if you could describe the nature of the problem in as much detail as possible. If the defect is covered by our guarantee then your device will either be repaired immediately and returned to you, or we will send you a new device.

Of course, we are also happy offer a chargeable repair service for any defects which are not covered by the scope of this guarantee or for units which are no longer covered. To take advantage of this service, please send the device to our service address.

Poweron Imports Limited  
17 Lorien Place  
East Tamaki  
Manukau City 2161  
Auckland  
Telephone (09) 2746950