

Sliding Cross Cut- and Mitre Saw KGSZ 2100

Art.-No.: **43.006.61**

Bar-Code: 4006825511857

Sales Unit: 1 pc

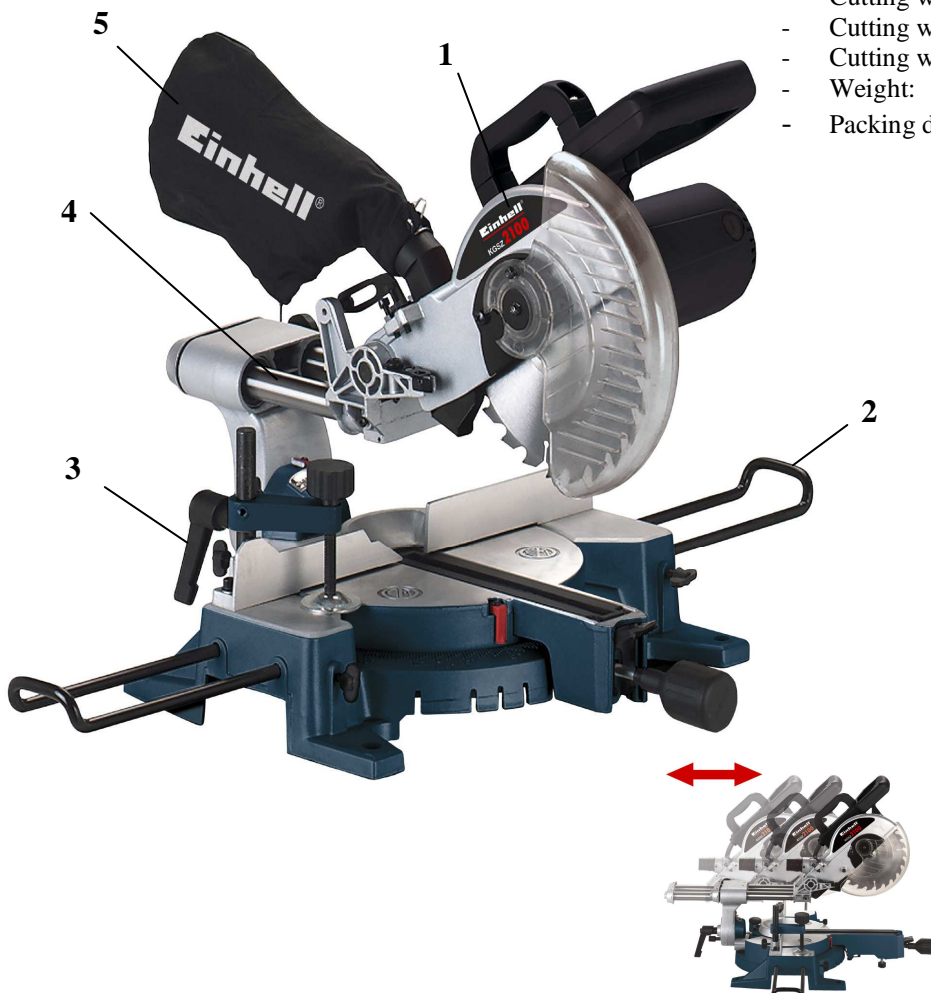
The sliding cross cut- and mitre table saw KGSZ 2100 warrants a clean and precise cut of wooden parts without any problems. Double mitre cuts are possible because of its tilting and swivelling motor-head. Due to its **double pivoted sliding feature** the saw can cut a width of 205 mm and is suitable for cuts of wide panels and laminate floorboard in only one processing step.

Features:

- Carbide tipped saw blade (1)
- Rotating table for precise angle cuts ranging from -45° to $+45^{\circ}$
- Incl. dust bag (5) and bilateral transport locking (2)
- Motor head tiltable to the left continuously from 0° to $+45^{\circ}$
- Clamping device for safely fixing of the work piece (3)
- Double pivoted sliding feature (4)

Technical data:

- Mains: 230 V ~ 50 Hz
- Power: 1700 watts
- Idle speed n_0 : 4800 min^{-1}
- Saw blade: $\varnothing 210 \times \varnothing 30 \times 2,8\text{mm}$
- No. of teeth: 24
- Turning range: $-45^{\circ}/0^{\circ}/+45^{\circ}$
- Mitre cut: 0° to 45° to the left
- Cutting width $90^{\circ} \times 90^{\circ}$: 205 x 65 mm
- Cutting width $90^{\circ} \times 45^{\circ}$: 145 x 65 mm
- Cutting width $45^{\circ} \times 90^{\circ}$: 205 x 35 mm
- Cutting width $45^{\circ} \times 45^{\circ}$: 145 x 35 mm
- Weight: approx. 17,3 kg
- Packing dimension: 610 x 530 x 410 mm



As special accessory available:

- Carbide tipped-saw blade
 $\varnothing 210 \times \varnothing 30 \times 2,8\text{mm}$; 24 teeth
- Carbide tipped saw blade
 $\varnothing 210 \times \varnothing 30 \times 2,8\text{mm}$; 48 teeth

- Art.-No.: **45.020.48**
- Bar code.: 4006825456004
- Art.-No.: **45.020.34**
- Bar code.: 4006825456110