

**Einhell®**

**TE-AC 36/6/8 Li OF Set**

- 
- EN** Original operating instructions  
Cordless air compressor
- SP** Manual de instrucciones original  
Compresor de aire compacto e  
inalámbrico
- FR** Traduction du mode d'emploi  
d'origine  
Compresseur d'air compact sans  
cordon

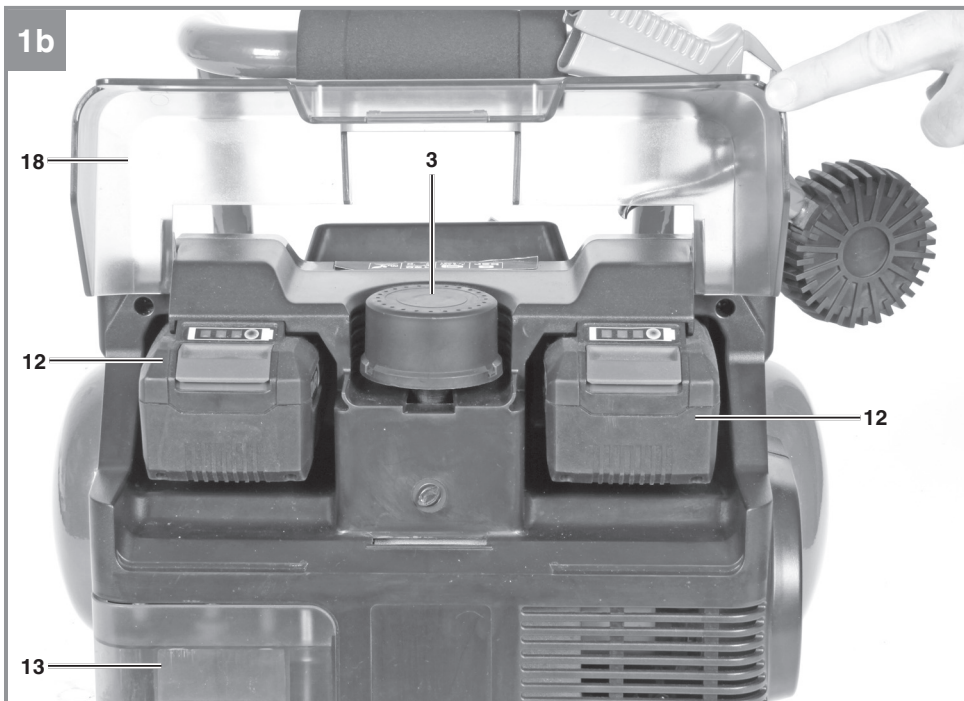
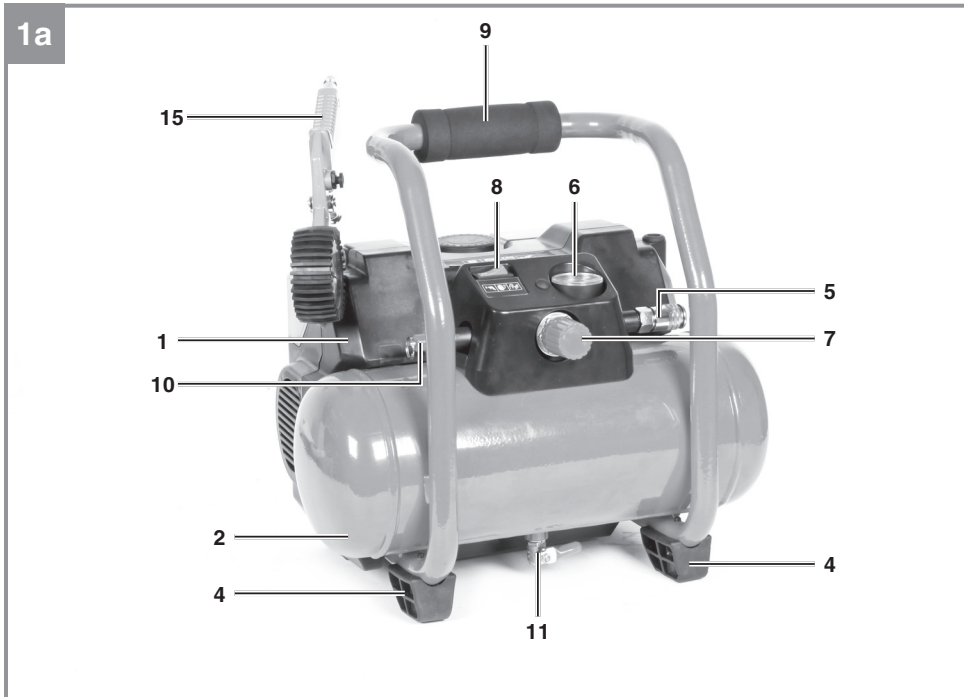


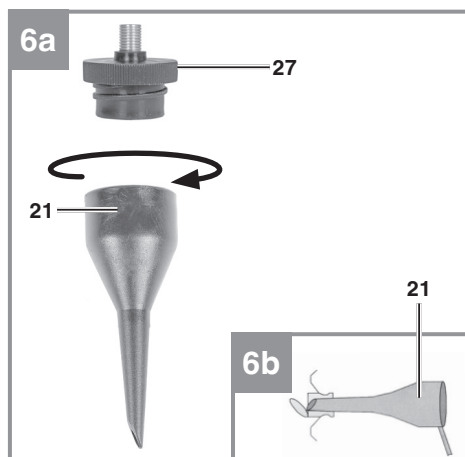
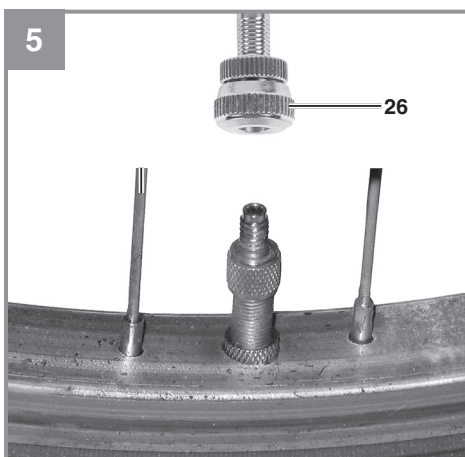
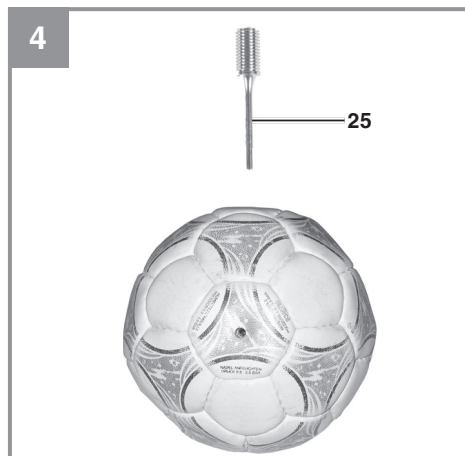
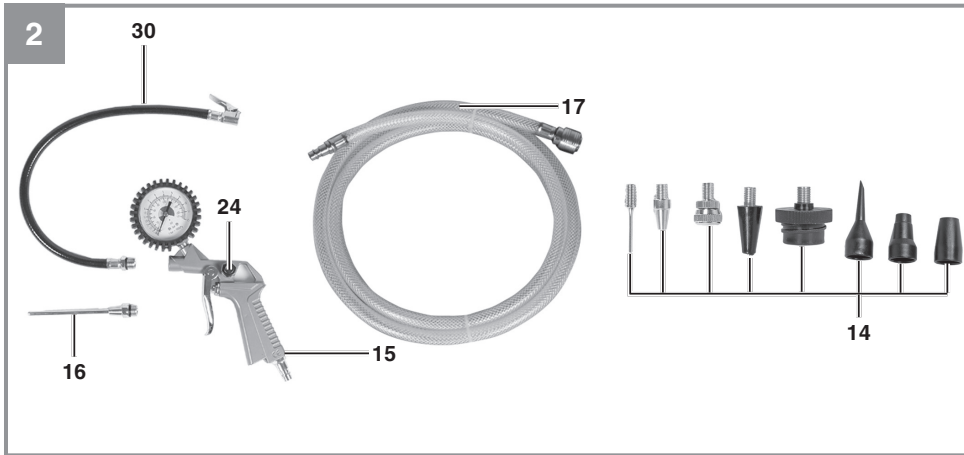
**7**

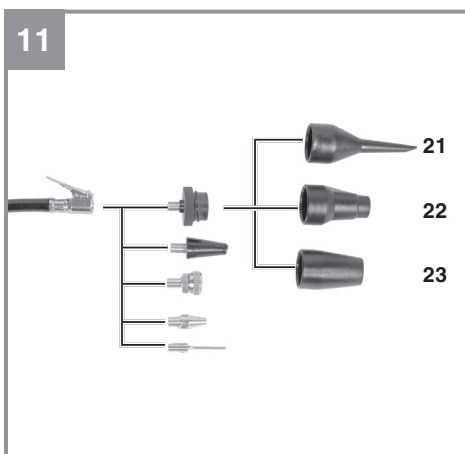
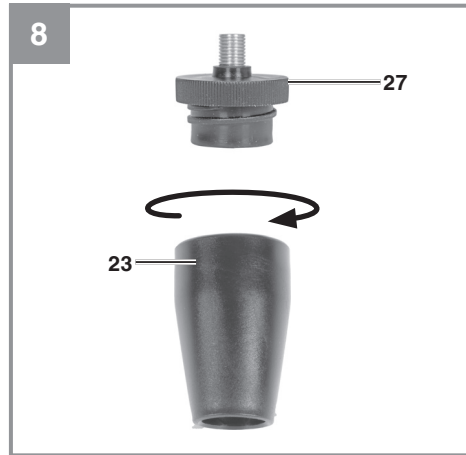
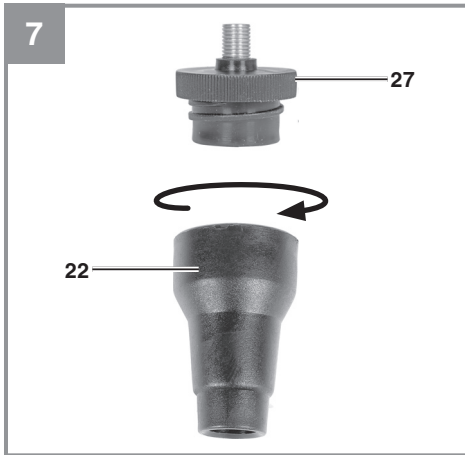
---

**Art.-Nr.: 4020455**

**I.-Nr.: 11019**







**Table of contents**

1. Safety information
2. Layout and items supplied
3. Intended use
4. Technical data
5. Before starting the equipment
6. Assembly and starting
7. Operation
8. Cleaning, maintenance and ordering spare parts
9. Disposal and recycling
10. Possible causes of failure



**Danger!** - Read the operating instructions to reduce the risk of injury



**Caution!** Wear ear-muffs. The impact of noise can cause damage to hearing.



**Beware of electrical voltage!**



**Beware of hot parts!**



**Warning!** The equipment is remote-controlled and may start-up without warning.



Store the batteries only in dry rooms with an ambient temperature of 50°F to 104°F (+10°C to +40°C).  
Place only fully charged batteries in storage (charged at least 40%).

#### Information for pressure tank:

PS: 135 PSI (9.3 bar)
T <sub>max</sub> : 14°F (-10°C)
T <sub>min</sub> : 212°F (+100°C)
V: 1.0 gal (6 L)

**PS:** Max. operating pressure  
**T<sub>max</sub>:** Max. operating temperature  
**T<sub>min</sub>:** Min. operating temperature  
**V:** Tank capacity

**DANGER!**

When using the equipment, a number of safety precautions must be observed to avoid injuries and damage. Please read the complete operating instructions and safety information with due care. Keep these operating instructions in a safe place so that the information is available at all times. If you give the equipment to any other person, hand over these operating instructions and the safety information as well. We cannot accept any liability for damage or accidents which arise due to failure to follow these instructions and the safety information.

**1. Safety information****DANGER!**

**Read all the safety information and instructions.** Failure to adhere to the safety information and instructions set out below may result in electric shock, fire and/or serious injury. **Keep all the safety information and instructions in a safe place for future use.**

**General safety information for power tools**

The term „power tool“ used in the safety regulations refers to power tools operated from the mains power supply (with a power cable) and to battery operated power tools (without a power cable).

**1) Work area safety**

- a) **Danger!** *To reduce the risk of injury, user must read instruction manual. Household use only. Indoor use only.*
- b) **Keep work area clean and well lit.** *Cluttered and dark areas invite accidents.*
- c) **Do not operate power tools in explosive atmospheres, such as in the presence of flammable liquids, gases or dust.** *Power tools create sparks which may ignite the dust or fumes.*
- d) **Keep children and bystanders away while operating a power tool.** *Distractions can cause you to lose control.*

**2) Electrical safety**

- a) **Power tool plugs must match the outlet. Never modify the plug in any way. Do not use any adapter plugs with earthed (grounded) power tools.** *Unmodified plugs and matching outlets will reduce risk of electric shock.*

- b) **Avoid body contact with earthed or grounded surfaces such as pipes, radiators, ranges and refrigerators.** *There is an increased risk of electric shock if your body is earthed or grounded.*
- c) **Do not expose power tools to rain or wet conditions.** *Water entering a power tool will increase the risk of electric shock.*
- d) **Do not abuse the cord. Never use the cord for carrying, pulling or unplugging the power tool. Keep cord away from heat, oil, sharp edges or moving parts.** *Damaged or entangled cords increase the risk of electric shock.*
- e) **If operating a power tools in a damp location is unavoidable, use a residual current device (RCD) protected supply.** *Use of an RCD reduces the risk of electric shock.*

**3) Personal safety**

- a) **Stay alert, watch what you are doing and use common sense when operating a power tool. Do not use a power tool while you are tired or under the influence of drugs, alcohol or medication.** *A moment of inattention while operating power tools may result in serious personal injury.*
- b) **Use personal protective equipment. Always wear eye protection.** *Protective equipment such as dust mask, non-skid safety shoes, hard hat, or hearing protection used for appropriate conditions will reduce personal injuries.*
- c) **Prevent unintentional starting. Ensure the switch is in the off-position before connecting to power source and/or BATTERY pack, picking up or carrying the tool.** *Carrying power tools with your finger on the switch or energising power tools that have the switch on invites accidents.*
- d) **Remove any adjusting key or wrench before turning the power tool on.** *A wrench or a key left attached to a rotating part of the power tool may result in personal injury.*
- e) **Do not overreach. Keep proper footing and balance at all times.** *This enables better control of the power tool in unexpected situations.*
- f) **Dress properly. Do not wear loose clothing or jewellery. Keep your hair, clothing and gloves away from moving parts.** *Loose clothes, jewellery or long hair can be caught in moving parts.*
- g) **If devices are provided for the connection**

**of dust extraction and collection facilities, ensure these are connected and properly used.** *Use of these devices can reduce dust related hazards.*

- h) **Do not let familiarity gained from frequent use of tools allow you to become complacent and ignore tool safety principles.** *A careless action can cause severe injury within a fraction of a second.*

#### 4) Power tool use and care

- a) **Do not force the power tool. Use the correct power tool for your application.** *The correct power tool will do the job better and safer at the rate for which it was designed.*
- b) **Do not use the power tool if the switch does not turn it on and off.** *Any power tool that cannot be controlled with the switch is dangerous and must be repaired.*
- c) **Disconnect the plug from the power source and/or remove the battery pack, if detachable, from the power tool before making any adjustments, changing accessories, or storing power tools.** *Such preventive safety measures reduce the risk of starting the power tool accidentally.*
- d) **Store idle power tools out of the reach of children and do not allow persons unfamiliar with the power tool or these instructions to operate the power tool.** *Power tools are dangerous in the hands of untrained users.*
- e) **Maintain power tools and accessories. Check for misalignment or binding of moving parts, breakage of parts and any other condition that may affect the power tool's operation. If damaged, have the power tool repaired before use.** *Many accidents are caused by poorly maintained power tools.*
- f) **Keep cutting tools sharp and clean.** *Properly maintained cutting tools with sharp cutting edges are less likely to bind and are easier to control.*
- g) **Use the power tool, accessories and tool bits etc., in accordance with these instructions and in the manner intended for the particular type of power tool, taking into account the working conditions and the work to be performed.** *Use of the power tool for operations different from intended could result in a hazardous situation.*
- h) **Keep handles and grasping surfaces**

**dry, clean and free from oil and grease.** *Slippery handles and grasping surfaces do not allow for safe handling and control of the tool in unexpected situations.*

#### 5) Battery tool use and care

- a) **Recharge only with the charger specified by the manufacturer.** *A charger that is suitable for one type of battery pack may create a risk of fire when used with another battery pack.*
- b) **Use power tools only with specifically designated battery packs.** *Use of any other battery packs may create a risk of injury and fire.*
- c) **When battery pack is not in use, keep it away from other metal objects, like paper clips, coins, keys, nails, screws or other small metal objects that can make a connection from one terminal to another.** *Shorting the battery terminals together may cause burns or a fire.*
- d) **Under abusive conditions, liquid may be ejected from the battery; avoid contact. If contact accidentally occurs, flush with water. If liquid contacts eyes, additionally seek medical help.** *Liquid ejected from the battery may cause irritation or burns.*
- e) **Do not use a BATTERY pack or tool that is damaged or modified.** *Damaged or modified batteries may exhibit unpredictable behaviour resulting in fire, EXPLOSION or risk of injury.*
- f) **Do not expose a BATTERY pack or tool to fire or excessive temperature.** *Exposure to fire or temperature above 266°F (130°C) may cause explosion.*
- g) **Follow all charging instructions and do not charge the BATTERY pack or tool outside the temperature range specified in the instructions.** *Charging improperly or at temperatures outside the specified range may damage the BATTERY and increase the risk of fire.*
- 6) **Service**
- a) **Have your power tool serviced by a qualified repair person using only identical replacement parts.** *This will ensure that the safety of the power tool is maintained.*
- b) **Never service damaged BATTERY packs.** *Service of BATTERY packs should only be performed by the manufacturer or authorized service providers.*



### Additional safety instructions

We pay a great deal of attention to the design of every battery pack to ensure that we supply you with batteries which feature maximum power density, durability and safety. The battery cells have a wide range of safety devices. Each individual cell is initially formatted and its electrical characteristic curves are recorded. These data are then used exclusively to be able to assemble the best possible battery packs.

**Despite all the safety precautions, caution must always be exercised when handling batteries. The following points must be obeyed at all times to ensure safe use. Safe use can only be guaranteed if undamaged cells are used. Incorrect handling can cause cell damage.**

**Caution!** Analyses confirm that incorrect use and poor care are the main causes of the damage caused by high performance batteries.

### Information about the battery

1. The battery pack supplied with your cordless tool is not charged. The battery pack has to be charged before you use the tool for the first time.
2. For optimum battery performance avoid low discharge cycles. Charge the battery pack frequently.
3. Store the battery pack in a cool place, ideally at 59°F (15°C) and charged to at least 40%.
4. Lithium-ion batteries are subject to a natural ageing process. The battery pack must be replaced at the latest when its capacity falls to just 80% of its capacity when new. Weakened cells in an aged battery pack are no longer capable of meeting the high power requirements and therefore pose a safety risk.
5. Do not throw battery packs into an open fire. There is a risk of explosion!
6. Do not ignite the battery pack or expose it to fire.
7. **Do not exhaustively discharge batteries.** Exhaustive discharge will damage the battery cells. The most common cause of deep discharge is lengthy storage or non-use of partly discharged batteries. Stop working as soon as the performance of the battery falls noticeably or the electronic protection system triggers. Place the battery pack in storage only after it has been fully charged.
8. **Protect batteries and the tool from overloads.** Overloads will quickly result in overheating and cell damage inside the

battery housing without this overheating actually being apparent externally.

9. **Avoid damage and shocks.** Replace batteries which have been dropped from a height of more than one meter or which have been exposed to violent shocks without delay, even if the housing of the battery pack appears to be undamaged. The battery cells inside the battery may have suffered serious damage. In this respect, please also read the waste disposal information.
10. If the battery pack suffers overloading and overheating, the integrated protective cut-off will switch off the equipment for safety reasons. Caution! Do not press the ON/OFF switch any more if the protective cut-off has actuated. This may damage the battery.
11. Use only original battery packs. The use of other batteries may result in injuries, explosion and a fire risk.
12. **Protect your rechargeable battery against moisture, rain and high humidity.** Moisture, rain and high humidity can cause dangerous cell damage. Never charge or work with batteries which have been exposed to moisture, rain or high humidity – replace them immediately.

### Information on chargers and the charging process

1. Please check the data marked on the rating plate of the battery charger. Be sure to connect the battery charger to a power supply with the voltage marked on the rating plate. Never connect it to a different mains voltage.
2. Protect the battery charger and its cable from damage and sharp edges. Have damaged cables repaired without delay by a qualified electrician.
3. Keep the battery charger, batteries and the cordless tool out of children's reach.
4. Do not use damaged battery chargers.
5. Do not use the supplied battery charger to charge other cordless tools.
6. In heavy use the battery pack will become warm. Allow the battery pack to cool to room temperature before commencing with the charging.
7. **Do not over-charge batteries.** Do not exceed the maximum charging times. These charging times apply only to discharged batteries. Frequent insertion of a charged or partly charged battery pack will result in over-charging and cell damage. Do not leave batteries in the charger for days on end.

8. **Never use or charge batteries if you suspect that the last time they were charged was more than 12 months previously.** There is a high probability that the battery pack has already suffered dangerous damage (exhaustive discharge).
9. Charging batteries at a temperature below 50°F (10°C) will cause chemical damage to the cell and may cause a fire.
10. Do not use batteries which have heated during the charging process, as the battery cells may have suffered dangerous damage.
11. Do not use batteries which have suffered curvature or deformation during the charging process or which show other non-typical symptoms (gassing, hissing, cracking,...)
12. Never fully discharge the battery pack (recommended depth of discharge max. 80%) A complete discharge of the battery pack will lead to premature ageing of the battery cells.
13. Never charge the batteries unsupervised.

#### Protection from environmental influences

1. Wear suitable work clothes. Wear safety goggles.
2. **Protect your cordless tool and the battery charger from moisture and rain.** Moisture and rain can cause dangerous cell damage.
3. Do not use the cordless tool or the battery charger near vapors and inflammable liquids.
4. Use the battery charger and cordless tools only in dry conditions and an ambient temperature of 50°F to 104°F (10°C to 40°C).
5. Do not keep the battery charger in places where the temperature is liable to reach over 104°F (40°C). In particular, do not leave the battery charger in a car that is parked in the sunshine.
6. **Protect batteries from overheating.** Overloads, over-charging and exposure to direct sunlight will result in overheating and cell damage. Never charge or work with batteries which have been overheated – replace them immediately if possible.
7. **Storage of batteries, battery chargers and cordless tools.** Store the charger and your cordless tool only in dry places with an ambient temperature of 50°F to 104°F (10°C to 40°C). Store the lithium-ion rechargeable battery in a cool and dry place at 50°F to 68°F (10°C to 20°C). Protect them from humidity and direct sunlight! Place only fully charged batteries in storage (charged at least 40%).
8. Prevent the lithium-ion battery pack from

freezing. Battery packs which were stored below 32°F (0°C) for more than 60 minutes must be disposed of.

9. When handling batteries beware of electrostatic charge: Electrostatic discharges cause damage of the electronic protection system and the battery cells. Avoid electrostatic charging and never touch the battery poles.

#### Battery Caution + Disposal

##### Disposal

Should your appliance need replacement after extended use, do not dispose of it with the household refuse, but in an environmentally safe way.



Waste produced by electrical machine items should not be handled like normal household rubbish. Please recycle where recycle facilities exist. Check with your local authority or retailer for recycling advice.

Always dispose of your battery pack according to federal, state, and local regulations. Contact a recycling agency in your area for recycling locations.

**⚠ CAUTION!** Even discharged battery packs contain some energy. Before disposing, use electrical tape to cover the terminals to prevent the battery pack from shorting, which could cause a fire or explosion.

**⚠ WARNING!** To reduce the risk of injury or explosion, never burn or incinerate a battery pack even if it is damaged, dead, or completely discharged. When burned, toxic fumes and materials are emitted into the surrounding atmosphere.

1. Batteries vary according to device. Consult your manual for specific information.
2. Install only new batteries of the same type in your product (where applicable).
3. Failure to insert batteries in the correct polarity, as indicated in the battery compartment or manual, may shorten the life of the batteries or cause batteries to leak.
4. Do not mix old and new batteries.
5. Do not mix Alkaline, Standard (Carbon-Zinc), or Rechargeable (Nickel Cadmium, Nickel Metal Hydride, or Lithium-Ion) batteries.
6. Do not dispose of batteries in fire.
7. Batteries should be recycled or disposed of as per state and local guidelines.

**When shipping or disposing of batteries and cordless tools, always ensure that they are packed individually in plastic bags to prevent short circuits and fires.**

**Safety information for the inflator/deflator**  
**Danger! The following basic safety actions must be taken when using this inflator/deflator in order to protect the user from electric shocks and the risk of injury and fire. Read and follow these instructions before using the equipment.**

- **Check the ambient conditions**  
Do not expose the inflator/deflator to rain. Never use the inflator/deflator in damp or wet locations. There is a risk of electric shock! Provide good lighting. Do not use the inflator/deflator near flammable liquids or gases. There is a risk of explosion!
- **Protect yourself against electric shocks**  
Avoid bodily contact with earthed parts, e.g. pipes, radiators, cookers and refrigerators.
- **Keep children away**  
Do not allow other persons to touch the inflator/deflator or cable, keep them away from your work area.
- **Do not use the cable for purposes other than that for which it is designed**  
Do not carry the inflator/deflator by its cable and do not use the cable to pull the plug out of the socket. Protect the cable from heat, oil and sharp edges. The cable/plug could become damaged.
- **Take care of your inflator/deflator**  
Keep your inflator/deflator clean in order to work well and safely. Follow the maintenance instructions. Check the power plug and cable on a regular basis and have them replaced by an authorized specialist if they are damaged. Check the extension cable regularly and replace it if damaged.
- **Avoid unintentional starting**  
Make sure that the switch is turned off when connecting to the power supply.
- **Check your inflator/deflator for damage**  
Before using the inflator/deflator again, carefully check the safety devices and any slightly damaged parts to ensure that they are in good working order. Check that the moving parts are working correctly, that they do not jam, and that no parts are damaged. Make sure that all parts are fitted correctly to ensure that the equipment remains safe to use. Unless otherwise stated in the operating instructions, damaged guards and parts have

to be repaired or replaced by a customer service workshop. Damaged switches have to be replaced by a customer service workshop. Never use an electric power tool with a switch that cannot be turned on and off.

- **Leave all repairs to a qualified electrician**  
Repairs must be left strictly to qualified electricians or the user might suffer an accident.
- **Noise**  
Wear ear muffs when you use the inflator/deflator.
- **Replacing the power cable**  
To prevent hazards, leave the replacement of damaged power cables strictly to the manufacturer or a qualified electrician. There is a risk of electric shock!
- **Inflating tires**  
Directly after inflating tires, check the pressure with a suitable pressure gauge, for example at your filling station.
- **Place of installation**  
Set up the inflator/deflator on an even surface.
- **WARNING! Risk of injury - Do not direct air stream at body.**

#### **Safety instructions for working with compressed air and blow-out pistols**

- The air which is sucked in by the deflator must be kept free of impurities that could cause fires or explosions in the deflator pump.
- Wear safety goggles. Foreign bodies or blown off parts can easily cause injuries.
- Do not blow at people and do not clean clothes while being worn. Risk of injury!

#### **Safety information for paint spraying**

- Do not process any paints or solvents with a flash point below 131°F (55°C). There is a risk of explosion!
- Do not heat up paints or solvents. There is a risk of explosion!
- If hazardous liquids are processed, wear protective filter units (face guards). Also, adhere to the safety information provided by the manufacturers of such liquids.
- The details and designations of the Ordinance on Hazardous Substances, which are displayed on the outer packaging of the processed material, must be observed. Additional protective measures are to be undertaken if necessary, particularly the wearing of suitable clothing and masks.
- Do not smoke during the spraying process

and/or in the work area. There is a risk of explosion! Paint vapors are easily combustible.

- Never set up or operate the equipment in the vicinity of a fire place, open lights or sparking machines.
- Do not store or eat food and drink in the work area. Paint vapors are harmful to your health.
- The work area must exceed 1060 cu ft (30 m<sup>3</sup>) and sufficient ventilation must be ensured during spraying and drying. Do not spray against the wind. Always adhere to the regulations of the local police authority when spraying combustible or hazardous materials.
- Do not process media such as white spirit, butyl alcohol and methylene chloride with the PVC pressure hose. These media will destroy the pressure hose.

#### Operating pressure vessels

- You must keep your pressure vessel in good working order, operate the vessel correctly, monitor the vessel, carry out necessary maintenance and repair work immediately and meet the relevant safety precautions.
- The supervisory authority may enforce essential control measures in individual cases.
- A pressure vessel is not allowed to be used if it has faults or deficiencies that can endanger workers or third parties.
- Check the pressure vessel for signs of rust and damage each time before using. Do not use the compressor with a damaged or rusty pressure vessel. If you discover any damage, then please contact the customer service workshop.

**Keep this safety information in a safe place.**

## 2. Layout and items supplied

### 2.1 Layout

1. Housing cover
2. Pressure tank
3. Intake air filter
4. Foot
5. Quick-lock coupling (regulated compressed air)
6. Pressure gauge (for reading the set pressure)
7. Pressure regulator
8. ON/OFF switch
9. Transport handle

10. Safety valve
11. Drainage cock for condensation water
12. Battery pack (not supplied)
13. Storage compartment for 8-piece adapter set
14. 8-piece adapter set
15. Air Blow gun with Pressure gauge
16. Blow-out adapter
17. Air hose
18. Battery cover
19. Switch for battery charge level indicator
20. Battery charge level indicator
21. Adapter I
22. Adapter II
23. Vent adapter
24. Relief valve
25. Inflating needle
26. Schrader to Presta adapter for bicycle tires
27. Plastic nozzle adapter
28. Tapered Metal nozzle
29. Tapered Rubber nozzle
30. Air Chuck hose

### 2.2 Items supplied

Please check that the article is complete as specified in the scope of delivery. If parts are missing, please contact our service center or the store where you made your purchase at the latest within 5 work days after purchasing the article and upon presentation of a valid bill of purchase.

- Open the packaging and take out the equipment with care.
- Remove the packaging material and any packaging and/or transportation braces (if present).
- Check to see if all the items are supplied.
- Inspect the equipment and accessories for transport damage.
- If possible, keep the packaging until the end of the guarantee period.

### Danger!

**The equipment and packaging material are not toys. Do not let children play with plastic bags, plastic sheets and small parts. There is a risk of choking and suffocating!**

- Air blow gun with pressure gauge
- Blow-out adapter
- 8-piece adapter set
- Air hose 8.2 ft (2.5 m)
- Original operating instructions
- Safety information

**Separately available accessories**

18V 1.5Ah P-X-C lithium-ion battery  
 18V 2.0Ah P-X-C lithium-ion battery  
 18V 2.6Ah P-X-C Plus lithium-ion battery  
 18V 3.0Ah P-X-C lithium-ion battery  
 18V 4.0Ah P-X-C lithium-ion battery  
 18V 5.2Ah P-X-C Plus lithium-ion battery  
 18V P-X-C charger  
 18V Power X-Change Dual Port Fast Charger

Explore battery + charger options at  
[einhellUSA.com](http://einhellUSA.com)


**3. Intended use**

The cordless air compressor is designed to generate compressed air for compressed air driven tools.

The equipment is allowed to be used only for its prescribed purpose. Any other use is deemed to be a case of misuse. The user/operator and not the manufacturer will be liable for any damage or injuries of any kind resulting from such misuse.

Please note that our equipment has not been designed for use in commercial, trade or industrial applications. Our warranty will be voided if the equipment is used in commercial, trade or industrial businesses or for equivalent purposes.

**4. Technical data**

Motor power supply: ..... 36V  (2x 18V)  
 Compressor speed: ..... 3200 min<sup>-1</sup> (rpm)  
 Max. Operating pressure: ..... 135 psi (9.3 bar)  
 Pressure vessel capacity: ..... 1.6 gal (6 l)  
 Theoretical suction rate... 34.3 gal/min (130 l/min)  
 Output (compressed air)  
 at 102 psi (7 bar): ..... 10 gal/min (38 l/min)  
 Output (compressed air)  
 at 58 psi (4 bar): ..... 14.5 gal/min (55 l/min)  
 Protection type: ..... IPX0  
 Weight: ..... 22 lbs (10.5 kg)

**5. Before starting the equipment**

Before you connect the equipment to the power supply make sure that the data on the rating plate are identical to those of the rechargeable battery.

- Check the equipment for damage which may have occurred in transit. Report any damage immediately to the transport company which was used to deliver the compressor.
- Install the compressor in the vicinity of the point of consumption.
- Avoid long air lines.
- Make sure that the intake air is dry and dustfree.
- Do not install the compressor in a damp or wet room.
- The compressor may only be used in suitable rooms (with good ventilation and an ambient temperature from 41 °F to 104 °F (+5 °C to 40 °C). There must be no dust, acids, vapors, explosive gases or inflammable gases in the room.
- The compressor is designed to be used in dry rooms. It is prohibited to use the compressor in areas where work is conducted with sprayed water.
- Operate the equipment only on a firm, level surface.
- Use flexible hoses in order to prevent transmitting unacceptable loads to the pipeline system at the connection between the compressor system and the pipeline system.
- It is essential to use separators, traps and drains which process the liquids produced by the compressor before the compressor system is put into operation.
- Supply hoses at pressures above 102 psi (7 bar) should be equipped with a safety cable (e.g. a wire rope).

## 6. Assembly and starting

### Important!

**You must fully assemble the equipment before using it for the first time.**

### 6.1 On/Off switch (Fig. 1a)

To switch on the equipment, set the On/Off switch (8) to position 1.

To switch off the equipment, move the On/Off switch (8) to position 0.

### 6.2 Setting the pressure (Fig. 1a)

- You can adjust the pressure on the pressure gauge (6) using the pressure regulator (7).
- The set pressure can be drawn from the quick-lock coupling (5).

### 6.3 Setting the pressure switch

The pressure switch is set at the factory.

Cut-in pressure approx. 87 psi (6 bar)

Cut-out pressure approx. 135 psi (9.3 bar)

### 6.4 Charging the Li battery pack

The corresponding instructions can be found in the original operating instructions for your charger.

### 6.5 Battery capacity indicator (Fig. 3/item 20)

Press the battery capacity indicator switch (19).

The battery capacity indicator (20) shows the charge status of the battery using 3 LEDs.

#### All 3 LEDs lit:

The battery is fully charged.

#### 2 or 1 LED(s) lit:

The battery has an adequate remaining charge.

#### 1 LED flashing:

The battery is empty, recharge the battery.

#### All LEDs flashing:

The battery pack has been deep-discharged and is defective. Do not re-use or charge a defective battery pack.

## 7. Operation

### 7.1 Tire pressure gauge with adapters (Fig. 2)

**Working pressure in psi: 0-135 (0-9.3 bar)**

#### Range of applications:

The tire pressure gauge (15) allows you to inflate car tires easily and exactly. Use the pressure gauge to check the tire pressure. If the tire pressure is too high, you can reduce the pressure with the integrated relief valve (24). The tire pressure gauge comes with a valve adapter for car tire valves.

**Warning!** Observe the information supplied by the tire manufacturer and the vehicle manufacturer relating to the recommended tire pressure.

**Warning!** This equipment is not calibrated!

For a calibrated measurement value, check the actual tire pressure using a calibrated meter after you have inflated the tires yourself, e.g. at a petrol station.

#### Use as a blow-out pistol

To use the tire pressure gauge as a blow-out pistol you must first unscrew and remove the hose with the valve adapter for care tires. Now the blow-out adapter (16) can be screwed to the tire pressure gauge.

#### Range of applications:

For cleaning and blowing out hollow spaces or hard-to-reach areas, as well as for cleaning soiled equipment. The infinitely variable trigger lever allows an exact dosing of compressed air.

### 7.2 Instructions for the adapter set

For information on the correct use of the adapters for the various valves, please refer to the following overview (see Fig. 11 which shows how to connect the adapter to the compressor).

- **Inflating needle (Fig. 4/item 25)**

Area of application: For inflating balls. The ball needle can be used to inflate a variety of different balls.

**TIP:** To avoid damaging the valve, moisten the needle slightly before inserting it.

- **Schrader to Presta adapter for bicycle tires (Fig. 5/item 26)**

Area of application: For Dunlop cycle tire valves.

This Dunlop valve adapter is designed for inflating cycle tires.

- **Adapter I (Fig. 6a/Item 21)**  
Area of application: For all valves with an internal diameter of 0.3 in. (8 mm) or more. You can use this adapter to inflate airbeds, pools or boats.  
**TIP:** Insert the adapter I into the valve as shown in Figure 6b.  
Important! The valve cap must be opened a little by being pressed together slightly.
- **Adapter II (Fig. 7/Item 22)**  
Area of application: For screw valves. This adapter can be used for all conventional boats, kayaks and other large items such as pools, which are fitted with a screw valve.
- **Vent adapter (Fig. 8/Item 23)**  
Area of application: For deflation valves you can find a deflation valve combined with other valves (standard valve, screw valve, etc.) on many large articles such as an inflatable mattress.
- **Tapered metal/rubber nozzle (Fig. 9-10/item 28-29)**  
Area of application: The universal adapter can be used for inflating airbeds and other similar items.

## 8. Cleaning, maintenance and ordering spare parts

### **Hazard!**

**Remove the rechargeable batteries before doing any cleaning and maintenance work.**

### **Warning!**

**Wait until the compressor has completely cooled down. Risk of burns!**

### **Warning!**

**Always depressurize the tank before carrying out any cleaning and maintenance work.**

### **Warning!**

**After use, always switch off the equipment immediately and pull out the rechargeable batteries.**

### 8.1 Cleaning

- Keep all safety devices, air vents and the motor housing free of dirt and dust as far as possible. Wipe the equipment with a clean cloth or blow it down with compressed air at low pressure.

- We recommend cleaning the equipment immediately each time after use.
- Clean the equipment regularly with a damp cloth and some soft soap. Do not use cleaning agents or solvents; these may be aggressive to the plastic parts in the equipment. Ensure that no water can get into the interior of the equipment. The ingress of water into an electric power tool increases the risk of an electric shock.
- You must disconnect the hose and any spraying tools from the compressor before cleaning. Do not clean the compressor with water, solvents or the like.

### 8.2 Condensed water (Fig. 1a)

**Important!** To ensure a long service life of the pressure tank (2), drain off the condensed water by opening the drainage cock (11) each time after using.

Check the pressure vessel for signs of rust and damage each time before using. Do not use the compressor with a damaged or rusty pressure vessel. If you discover any damage, please contact the customer service workshop.

### 8.3 Safety valve (10)

The safety valve has been set for the highest permitted pressure of the pressure vessel. It is prohibited to adjust the safety valve or remove its seal. Actuate the safety valve from time to time to ensure that it works when required. Pull the ring with sufficient force until you can hear the compressed air being released. Then release the ring again.

### 8.4 Cleaning the intake air filter (3)

The intake filter prevents dust and dirt being drawn in. It is essential to clean this filter after at least every 300 hours in operation. A clogged intake filter will decrease the compressor's performance dramatically. Open the halves of the air filter housing. Use compressed air at low pressure (approx. 43.5 psi (3 bar)) to blow out all the parts of the filter and then assemble the filter in reverse order. When cleaning, take adequate precautions against dust (e.g. use a suitable face mask).

## 8.5 Storage

### Warning!

Pull out the rechargeable batteries and ventilate the equipment and all connected pneumatic tools. Switch off the compressor and make sure that it is secured in such a way that it cannot be started up again by any unauthorized person.

### Warning!

Store the compressor only in a dry location which is not accessible to unauthorized persons. Always store upright, never tilted!

## 8.6 Transport

- Transport the equipment only by carrying it by the transport handle.
- Protect the equipment against unexpected knocks and vibrations.

## 8.7 Ordering replacement parts:

### Service

1. **If your power tool requires service, contact an authorized Einhell USA dealer or call the Einhell USA customer service center at 1-866-EINHELL (1-866-346-4355).** Only identical replacement parts should be utilized for repairs. This will ensure that the safety of the power tool is maintained.
2. **If the battery charger cable is damaged, it must be immediately replaced to avoid a hazard.** Contact the Einhell USA® customer service center at 1-866-EINHELL (1-866-346-4355) for assistance.

The reprinting or reproduction by any other means, in whole or in part, of documentation and papers accompanying the products is strictly subject to the express consent of iSC GmbH.

Subject to technical changes

## 9. Disposal and recycling

The equipment is supplied in packaging to prevent it from being damaged in transit. The raw materials in this packaging can be reused or recycled. The equipment and its accessories are made of various types of material, such as metal and plastic. Never place defective equipment in your household refuse. The equipment should be taken to a suitable collection center for proper disposal. If you do not know the whereabouts of such a collection point, you should ask in your local council offices.



## 10. Possible causes of failure

Problem	Cause	Solution
The compressor does not start.	<ol style="list-style-type: none"> <li>1. No power supply</li> <li>2. The outside temperature is too low.</li> <li>3. The motor is overheated.</li> </ol>	<ol style="list-style-type: none"> <li>1. Check the rechargeable batteries</li> <li>2. Do not use at an outside temperature below 41°F (5°C).</li> <li>3. Allow the motor to cool down. If necessary, remedy the cause of the overheating.</li> </ol>
The compressor starts but there is no pressure.	<ol style="list-style-type: none"> <li>1. The non-return valve has a leak.</li> <li>2. Defective seals</li> <li>3. The drainage cock for condensation water has a leak.</li> </ol>	<ol style="list-style-type: none"> <li>1. Have a service center replace the non-return valve.</li> <li>2. Check the seals and have any defective seals replaced by a service center.</li> <li>3. Check the drainage cock and replace if necessary.</li> </ol>
The compressor starts, pressure is shown on the pressure gauge, but the tools do not start.	<ol style="list-style-type: none"> <li>1. Loose hose connections.</li> <li>2. Leak in a quick-lock coupling.</li> <li>3. Insufficient pressure set on the pressure regulator.</li> </ol>	<ol style="list-style-type: none"> <li>1. Check the compressed air hose and tools and replace if necessary.</li> <li>2. Check the quick-lock coupling and replace if necessary.</li> <li>3. Increase the set pressure with the pressure regulator.</li> </ol>

If the equipment will not work in spite of the troubleshooting measures and the voltage supply being OK, please contact customer service (see section 8.7).

# Einhell®

## EINHELL CUSTOMER PROMISE

**QUALITY COMES FIRST.** The Einhell name is synonymous with high-performance tools and high-quality European craftsmanship. From cordless screwdrivers to electric lawn mowers, Einhell USA designs and develops state-of-the-art handheld power and garden tools for DIY enthusiasts, hobby gardeners, and handymen.

Einhell USA's quality assurance and engineering teams ensure products are subjected to stringent quality and performance tests. We know that sometimes tough tools go through tough times. In the event that you should experience any issue with your product, you have our commitment that we'll do everything we can to get you back a tool that's ready to work as hard as you do.

### PRODUCT REGISTRATION:

Einhell strongly encourages you to register your purchase. You can register online at **EinhellUSA.com**. Failure to register your product purchase will not diminish your warranty rights. However, registering your purchase will allow Einhell to better serve you with any of your customer service needs.

### WHAT IS COVERED?

Einhell warrants to the owner that if this Machine fails within 2 years from the date of purchase due to a defect in material or workmanship or as a result of normal wear and tear from ordinary household use, Einhell will send a replacement part or product, as needed, free of charge and with free shipping to the original purchaser. If, in Einhell's sole discretion, the failed Machine cannot be repaired with a part, Einhell will elect to either (A) send a new Machine at no charge and with free shipping or (B) refund the full purchase price to the owner.

### WHO CAN SEEK WARRANTY COVERAGE?

This Warranty is extended by Einhell to the owner of this Machine (a "Machine" consists of a product powered by a motor) for residential and personal household use only. This warranty is limited to thirty (30) days from the start of original purchase of any EINHELL brand product that is used for commercial purposes, or any other income-producing purpose. Should ownership of this machine change during the coverage period, please update the Machine's owner information at **EinhellUSA.com**

### WHAT IS NOT COVERED?

This warranty does not cover any product that has been subject to misuse, neglect, negligence, or accident, or that has been operated in any way contrary to the operating instructions as specified in the operator's manual. This Warranty does not cover cosmetic changes that do not affect performance.

This Warranty is only valid if the Machine is used and maintained in accordance with the instructions, warnings and safeguards contained in the owner's manual. Einhell will not be responsible for the cost of any unauthorized warranty repairs. This warranty does not cover any cost or expense incurred by the purchaser in providing substitute equipment or service during reasonable periods of malfunction or non-use of this product while waiting for a replacement part or unit under this warranty.

Wearing parts like belts, augers, chains and tines are not covered under this warranty, and can be purchased at **EinhellUSA.com** or by calling **1-866-EINHELL (1-866-346-4355)**. Batteries are covered in full for 90-days from the date of purchase.

Repair, replacement or refund of the purchase price are the exclusive remedies of purchaser and the sole liability of Einhell under this warranty. No employee or representative of Einhell is authorized to make any additional warranty or any modification to this warranty which may be binding upon Einhell. Accordingly, purchaser should not rely upon any additional statements made by any employee or representative of Einhell. In no event, whether based on contract, indemnity, warranty, tort (including negligence), strict liability or otherwise, shall Einhell be liable for any special, indirect, incidental, or consequential damages, including, without limitation, loss of profit or revenue.

Some states do not allow limits on warranties. In such states, the above limitations may not apply to you.

Outside the USA and Canada, other warranties may apply.

## Índice de contenidos

1. Instrucciones de seguridad
2. Descripción del aparato y volumen de entrega
3. Uso adecuado
4. Características técnicas
5. Antes de la puesta en marcha
6. Montaje y puesta en servicio
7. Manejo
8. Mantenimiento, limpieza y pedido de piezas de repuesto
9. Eliminación y reciclaje
10. Posibles causas de fallo



**Peligro!** - Leer el manual de instrucciones para reducir cualquier riesgo de sufrir daños



**Cuidado!** Usar protección para los oídos. La exposición al ruido puede ser perjudicial para el oído.



**¡Atención!** ¡Tensión eléctrica!



**¡Atención!** ¡Piezas calientes!



**¡Aviso!** La unidad está teledirigida y se puede poner en marcha sin necesidad de aviso



Almacenamiento de las baterías sólo en espacios secos con una temperatura ambiente de 50°F to 104°F (+10°C to +40°C). Guardar las baterías únicamente cuando estén cargadas (mín. al 40%).

### Información para el recipiente de presión:



**PS:** presión de servicio máx.

**T<sub>max</sub>:** temperatura de servicio máx.

**T<sub>min</sub>:** temperatura de servicio mín.

**V:** volumen del recipiente

**Peligro!**

Al usar aparatos es preciso tener en cuenta una serie de medidas de seguridad para evitar lesiones o daños. Por este motivo, es preciso leer atentamente este manual de instrucciones/advertencias de seguridad. Guardar esta información cuidadosamente para poder consultarla en cualquier momento. En caso de entregar el aparato a terceras personas, será preciso entregarles, asimismo, el manual de instrucciones/advertencias de seguridad. No nos hacemos responsables de accidentes o daños provocados por no tener en cuenta este manual y las instrucciones de seguridad.

**1. Instrucciones de seguridad****Peligro!**

**Lea todas las instrucciones de seguridad e indicaciones.** El incumplimiento de dichas instrucciones e indicaciones puede provocar descargas, incendios y/o daños graves. **Guarde todas las instrucciones de seguridad e indicaciones para posibles consultas posteriores.**

**Instrucciones generales de seguridad para herramientas eléctricas**

El término de "herramienta eléctrica" que se usa en las instrucciones de seguridad se refiere a las herramientas que funcionan en red (con cable de conexión) y con batería (sin cable de conexión).

**1) Seguridad en el lugar de trabajo**

- a) **Peligro!** *Para reducir el riesgo de sufrir lesiones, el usuario debe leer el manual de instrucciones. Para un uso exclusivamente doméstico. Soloamente para uso en interiores.*
- b) **Mantener limpia y bien iluminada la zona de trabajo.** *Las zonas de trabajo desordenadas o sin luz pueden conllevar accidentes.*
- c) **No trabajar con este aparato eléctrico en un entorno explosivo en el que se hallen líquidos, gases o polvos inflamables.** *Las herramientas eléctricas generan chispas que pueden inflamar el polvo o los vapores.*
- d) **Mantener alejados a niños y a otras personas fuera del alcance de la herramienta eléctrica.** *Las distracciones pueden hacer perder el control sobre el aparato.*

**2) Seguridad eléctrica**

- a) **El enchufe del aparato eléctrico debe ser el adecuado para la toma de corriente. El enchufe no debe ser modificado de ningún modo. No emplear adaptadores de enchufe con aparatos eléctricos puestos a tierra.** *Los enchufes sin modificar y las tomas de corriente adecuadas reducen el riesgo de una descarga eléctrica.*
- b) **Evitar el contacto corporal con superficies con toma de tierra como tubos, calefacciones, fogones y frigoríficos.** *Existe un gran riesgo de descarga eléctrica si su cuerpo se halla puesto a tierra.*
- c) **Mantener los aparatos eléctricos alejados de la lluvia o la humedad.** *Si entra agua en el aparato eléctrico existirá mayor riesgo de una descarga eléctrica.*
- d) **No utilizar el cable de forma inadecuada, no utilizarlo para transportar el aparato, colgarlo o retirarlo de la toma de corriente. Mantener el cable alejado del calor, aceites, cantos afilados o partes del aparato en movimiento.** *Los cables dañados o mal enrollados aumentan el riesgo de descarga eléctrica.*
- e) **Si no se puede evitar tener que utilizar la herramienta eléctrica en un entorno húmedo, utilizar un dispositivo de protección diferencial.** *El uso de un dispositivo de protección diferencial reduce el riesgo de sufrir una descarga eléctrica.*

**3) Seguridad de personas**

- a) **Prestar atención al trabajo, comprobar lo que se está haciendo y proceder de forma razonable durante el trabajo de una herramienta eléctrica. No emplear la herramienta eléctrica si se está cansado o bajo la influencia de drogas, alcohol o medicamentos.** *Una mínima falta de atención durante el uso de la herramienta eléctrica puede causar lesiones graves.*
- b) **Llevar equipo de protección personal. Llevar siempre gafas protectoras.** *El equipo de protección (como mascarilla antipolvo, calzado de seguridad antideslizante, casco o protección auditiva) usado en las condiciones adecuadas sirve para reducir las lesiones personales.*
- c) **Prevenir un arranque no intencionado. Asegurarse de que el interruptor se encuentre en la posición OFF antes de conectar la herramienta a la fuente eléctrica y/o BATERÍA, alzarla o transportarla. El**

*transporte de herramientas eléctricas con el dedo en el interruptor o la activación de herramientas eléctricas con el interruptor en ON puede provocar accidentes.*

- d) **Retirar las herramientas de ajuste o la llave antes de conectar la herramienta eléctrica.** *Una herramienta o llave que se haya olvidado en partes giratorias del aparato puede producir lesiones.*
- e) **Evitar trabajar en una posición corporal inadecuada. Adoptar una posición segura y mantener en todo momento el equilibrio.** *Ello permite controlar mejor la herramienta eléctrica en situaciones inesperadas.*
- f) **Llevar ropa de trabajo adecuada. No llevar ropa holgada ni joyas durante el trabajo. Mantener el cabello, la ropa y los guantes alejados de las piezas en movimiento.** *La ropa holgada, las joyas o los cabellos largos pueden ser atrapados por las piezas en movimiento.*
- g) **Si el aparato permite instalar dispositivos de aspiración y recogida del polvo, es preciso asegurarse de que estén conectados y se empleen de forma correcta.** *La utilización de un aspirador de polvo puede reducir los peligros provocados por el mismo.*
- h) **A pesar de estar muy familiarizado con el uso de las herramientas, no confiarse en exceso ni ignorar las normas de seguridad de la herramienta.** *Un descuido puede conllevar una lesión grave en milésimas de segundo.*
- 4) Empleo y tratamiento de la herramienta eléctrica**
- a) **No sobrecargar el aparato. Usar la herramienta eléctrica específica para cada trabajo.** *Con la herramienta eléctrica adecuada se trabaja mejor y con más seguridad permaneciendo dentro de la potencia indicada.*
- b) **No usar ninguna herramienta eléctrica cuyo interruptor esté defectuoso.** *Una herramienta eléctrica que ya no pueda conectarse o desconectarse conlleva peligros y debe repararse.*
- c) **Desconectar el enchufe de la toma de corriente y/o retirar la batería, si es desmontable, de la herramienta eléctrica antes de realizar cualquier ajuste, cambiar accesorios o almacenarla.** *Este tipo de medidas de seguridad preventivas sirve para reducir el riesgo de poner en marcha la herramienta eléctrica de manera involuntaria.*
- d) **Guardar las herramientas eléctricas que no se usen fuera del alcance de los niños. No permitir el uso del aparato a personas que no estén familiarizadas con él o no hayan leído estas instrucciones.** *Las herramientas eléctricas son peligrosas si las usan personas sin experiencia.*
- e) **Realizar el mantenimiento de las herramientas eléctricas y los accesorios. Comprobar que las piezas móviles no estén desajustadas ni atascadas, que las piezas no presenten rotura ni otras condiciones que puedan afectar al funcionamiento de la herramienta eléctrica. En caso de que la herramienta eléctrica esté dañada, es preciso que sea reparada antes de utilizarla de nuevo.** *Muchos accidentes se provocan a causa de un mantenimiento deficiente de la herramienta eléctrica.*
- f) **Mantener limpias y afiladas las herramientas de corte.** *Las herramientas de corte bien cuidadas con cantos afilados se bloquean con menor frecuencia y pueden manejarse de forma más sencilla.*
- g) **Respetar estas instrucciones cuando se desee utilizar la herramienta eléctrica, los accesorios, piezas de recambio, etc. Para ello, tener en cuenta las condiciones de trabajo y la tarea a ejecutar.** *El uso de herramientas eléctricas para otros fines diferentes a los previstos puede originar situaciones peligrosas.*
- h) **Mantener asas y empuñaduras secas, limpias y libres de aceite y grasa.** *Las asas y empuñaduras resbaladizas impiden manejar con seguridad y controlar la herramienta en situaciones inesperadas.*
- 5) Empleo y tratamiento de la herramienta eléctrica**
- a) **Cargar la batería sólo en cargadores recomendados por el fabricante.** *Existe el peligro de incendio si se utiliza un cargador, indicado sólo para un tipo concreto de baterías, para otro tipo de baterías.*
- b) **Utilizar sólo las baterías indicadas para la herramienta eléctrica en cuestión.** *El uso de otras baterías puede provocar daños y conllevar peligro de incendio.*
- c) **Mantener cualquier batería que no se esté utilizando alejada de grapas, monedas, llaves, clavos, tornillos u otros objetos metálicos pequeños que podrían provocar un puenteo de los contactos.** *Un cortocircuito entre los contactos de la batería puede tener como consecuencia quemadu-*

ras o provocar fuego.

- d) **Si se utiliza incorrectamente podría salir líquido de la batería. Evitar el contacto con el líquido. En caso de tocar accidentalmente el líquido, lavar la zona afectada con agua. Si el líquido penetra en los ojos, acudir a un médico. El líquido de la batería puede provocar irritaciones en la piel o quemaduras.**
- e) **No utilizar BATERÍAS ni herramientas que estén dañadas o modificadas. Las baterías dañadas o modificadas pueden manifestar comportamientos impredecibles que pueden dar lugar a incendio, EXPLOSIÓN o riesgo de lesión.**
- f) **No exponer una BATERÍA ni herramienta al fuego o a una temperatura excesiva. La exposición al fuego o a una temperatura superior a los 266°F (130°C) puede provocar una explosión.**
- g) **Seguir todas las instrucciones de carga y no cargar la BATERÍA ni herramienta fuera del margen de temperatura especificado en las instrucciones. Una carga inadecuada o a temperaturas fuera del margen especificado puede dañar la batería e incrementar el riesgo de incendio.**
- 6) **Servicio**
- a) **Sólo especialistas cualificados deben reparar la herramienta eléctrica, empleando para ello únicamente piezas de repuesto originales. Esta forma de proceder garantiza la seguridad de la herramienta eléctrica.**
- b) **No reparar nunca BATERÍAS dañadas. La reparación de las BATERÍAS dañadas solo la puede llevar a cabo el fabricante o un distribuidor autorizado.**

#### Instrucciones de seguridad especiales

Con el fin de ofrecerle baterías con la máxima densidad de energía, larga duración y seguridad, prestamos el mayor cuidado en su montaje. Las celdas de la batería disponen de dispositivos de seguridad de varios niveles. En primer lugar se asigna el formato a cada celda y se registran sus características eléctricas. A continuación, estos datos se utilizan para agrupar las celdas y crear la mejores baterías. **A pesar de todas las medidas de seguridad, siempre es necesario tener precaución al utilizar baterías. Para un funcionamiento seguro es obligatorio tener en cuenta los siguientes puntos.**

**¡El funcionamiento seguro sólo está garantizado si las celdas no están dañadas! Un ma-**

**nejo inadecuado puede dañar las celdas.**

**¡Atención!** Los análisis confirman que un uso y un cuidado inadecuados son la principal causa de los daños provocados por baterías de alta potencia.

#### Advertencias sobre la batería

1. La batería del aparato no se suministra cargada. Antes de la primera puesta en marcha, es preciso recargarla por completo.
2. ¡Para que la batería trabaje de forma óptima evitar ciclos de descarga prolongados! Recargar la batería con frecuencia.
3. Guardar la batería en un lugar fresco, lo ideal son 59°F (15°C), y como mínimo cargada al 40%.
4. Las baterías de iones de litio están sujetas a un desgaste natural. ¡La batería debe ser sustituida como muy tarde cuando su rendimiento sea menor al 80% respecto a su estado cuando era nueva! Las celdas deterioradas de un conjunto de baterías envejecido no cumplen con los altos requisitos de rendimiento, representando un riesgo para la seguridad.
5. No tirar las baterías usadas al fuego. ¡Peligro de explosión!
6. No prender la batería ni exponerla al fuego.
7. **¡Evitar una descarga total de las baterías!** Este tipo de descarga daña las celdas de la batería. La causa más frecuente de la descarga total de la batería es el largo almacenamiento o la no utilización de baterías parcialmente descargadas. Terminar el trabajo en cuanto se aprecie que la potencia disminuye o se activa el sistema electrónico de protección. Almacenar la batería sólo tras haberla cargado completamente.
8. **¡Proteger las baterías y el aparato contra sobrecarga!** La sobrecarga conduce rápidamente a un sobrecalentamiento y daño de las celdas del interior de la carcasa de batería, sin que el sobrecalentamiento se perciba externamente.
9. **¡Evitar daños y golpes!** Sustituir inmediatamente las baterías que hayan caído desde una altura superior a un metro o que hayan sufrido golpes fuertes, incluso aunque la carcasa de la batería no parezca dañada. Las celdas que se encuentren en su interior podrían estar gravemente dañadas. Tener en cuenta también las indicaciones de eliminación.
10. En caso de sobrecarga y sobrecalentamiento, el circuito de protección integrado desco-

necta el aparato por motivos de seguridad.  
**¡Atención!** Dejar de pulsar el interruptor On/Off cuando el circuito de protección haya desconectado el aparato. Podría dañar la batería.

11. Utilizar exclusivamente baterías originales. El uso de otras baterías puede provocar daños, así como explosión y peligro de incendio.
12. **Proteger la batería de la humedad, la lluvia y la humedad ambiental elevada.** La humedad, la lluvia y la humedad ambiental elevada pueden provocar daños peligrosos en las celdas. No cargar ni trabajar nunca con baterías que hayan estado expuestas a la humedad, la lluvia o humedad ambiental elevada, ¡reemplazarlas de inmediato!

#### Advertencias sobre el cargador y el proceso de carga

1. Observar los datos indicados en la placa de identificación del cargador. Conectar el cargador sólo a la tensión nominal indicada en la placa de características.
2. Proteger el cargador y el cable de daños y cantos afilados. Los cables dañados deben ser cambiados exclusivamente por un electricista profesional.
3. Mantener el cargador, las baterías y el aparato fuera del alcance de niños.
4. No emplear cargadores dañados.
5. No emplear el cargador suministrado para cargar otros aparatos a batería.
6. La batería se calienta bajo condiciones extremas de aplicación. Dejar que la batería se enfríe hasta alcanzar la temperatura ambiental antes de empezar a cargar.
7. **¡No cargar demasiado las baterías!** Respetar los tiempos de carga máximos. Estos tiempos de carga se aplican únicamente a baterías descargadas. Si una batería cargada o parcialmente cargada se conecta varias veces al cargador se produce una sobrecarga y un daño de las celdas. No dejar las baterías varios días en el cargador.
8. **No utilizar ni cargar nunca baterías si se tiene la sospecha de que la última carga de la batería puede haberse realizado hace más de 12 meses.** Existe una alta probabilidad de que la batería ya esté gravemente dañada (descarga total).
9. Cargar la batería a una temperatura de menos de 50°F (10°C) provoca daños químicos en las celdas y puede conllevar peligro de incendio.
10. No utilizar baterías que se hayan calentado durante la carga, ya que sus celdas podrían dañarse peligrosamente.
11. Dejar de usar baterías que se hayan deformado o abombado durante la carga, o aquellas que presenten síntomas inusuales (desprendimiento de gases, zumbidos, chasquidos,...)
12. No descargar la batería por completo (nivel de descarga recomendado: máx. 80%). La descarga total provoca un envejecimiento prematuro de las celdas de la batería.
13. ¡No cargar nunca las baterías sin supervisión!

#### Protección contra influencias ambientales

1. Ponerse ropa de trabajo adecuada. Ponerse gafas de protección.
2. **Proteger el aparato y el cargador de la humedad y la lluvia.** Éstas podrían provocar daños peligrosos en las celdas.
3. No utilizar el aparato y el cargador cerca de vapores y líquidos inflamables.
4. Utilizar el cargador y el aparato a batería sólo si están secos y a una temperatura ambiente de 50°F-104°F (10-40 °C).
5. No guardar la batería en lugares que puedan alcanzar una temperatura superior a 104°F (40 °C), especialmente no en un vehículo aparcado al sol.
6. **¡Proteger las baterías contra un sobrecalentamiento!** La sobrecarga, carga excesiva o la radiación solar conducen a un sobrecalentamiento y al daño de las celdas. No cargar ni trabajar en ningún caso con baterías que se hayan sobrecalentado. Sustituirlas inmediatamente.
7. **Almacenamiento de baterías, cargadores y del aparato.** Guardar siempre el cargador y el aparato en habitaciones secas con una temperatura ambiente de 50°F-104°F (10-40°C). Guardar la batería de iones de litio en un lugar fresco y seco a 50°F-68°F (10-20°C). ¡Proteger de la humedad ambiental y de la radiación solar! Guardar las baterías únicamente cuando estén cargadas (mín. al 40%).
8. Evitar que la batería de iones de litio se hielan. Deshacerse de las baterías que hayan estado guardadas a 32°F (0°C) durante más de 60 minutos.
9. Llevar cuidado con la carga electrostática al manipular baterías: las descargas electrostáticas provocan daños en el sistema electrónico de protección y las celdas de la batería. ¡Evitar por ello la carga electrostática y no tocar nunca los polos de la batería!



## Precaución y eliminación de la batería

### Eliminación

Si su artefacto necesita ser reemplazado luego de un uso prolongado, no lo arroje a la basura doméstica. Hágalo de una forma ecológica y segura.



Los desechos producidos por máquinas eléctricas no deben ser manipulados como basura doméstica común. Recíclelos donde hayan emplazamientos de reciclaje. Consulte con las autoridades o tienda minorista de su localidad para obtener información sobre reciclaje.

Deshágase de su batería de acuerdo con los reglamentos federales, estatales y locales. Para encontrar lugares de reciclaje, comuníquese con un servicio de reciclaje en su localidad.

**⚠ ¡PRECAUCIÓN!** Incluso las baterías descargadas contienen algo de energía. Antes de deshacerse de éstas, use cinta aislante para cubrir los terminales y evitar que la batería haga cortocircuito, lo cual puede causar una explosión o incendio.

**⚠ ¡ADVERTENCIA!** Para reducir el riesgo de lesiones personales o explosión, nunca queme o incinere una batería incluso si está dañada, inservible o completamente descargada. Al ser quemada, los humos y materiales tóxicos son emitidos a la atmósfera circundante.

1. Las baterías varían de acuerdo al dispositivo. Consulte su manual para obtener la información específica.
2. Instale solo nuevas baterías del mismo tipo en su producto (donde corresponda).
3. No insertar las baterías con la polaridad correcta, tal como se indica en el compartimiento de la batería o en el manual, puede reducir el ciclo de vida útil de las baterías o causar fugas en las baterías.
4. No combine baterías nuevas con antiguas.
5. No combine baterías alcalinas, estándar (de zinc-carbono) o recargables (de níquel-cadmio, de níquel-hidruro metálico o de iones de litio).
6. No arroje las baterías al fuego. Pueden llegar a explotar.
7. Las baterías deben ser recicladas o desechadas según los reglamentos locales y estatales.

**Para el envío o la eliminación de baterías o del aparato, estos deben embalsarse por separado en bolsas de plástico para evitar cortocircuitos o incendios.**

### Instrucciones de seguridad para el inflador/desinflador

**¡Peligro! Siempre que se trabaje con este inflador/desinflador se tendrán en cuenta las siguientes medidas de seguridad básicas para evitar descargas eléctricas o cualquier riesgo de accidente y de incendio. Leer y observar estas instrucciones antes de utilizar el aparato.**

- **Tener en cuenta las condiciones ambientales en las que trabaja**  
No exponer el inflador/desinflador a la lluvia. No utilizar el inflador/desinflador en un ambiente húmedo o mojado. ¡Peligro de muerte por descarga eléctrica! Procurar que la zona de trabajo esté bien iluminada. No utilizar el inflador/desinflador cerca de líquidos o gases inflamables. ¡Peligro de explosión!
- **Protegerse contra descargas eléctricas**  
Evitar el contacto corporal con cualquier tipo de piezas con toma de tierra como, por ejemplo, tuberías, calefactores, cocinas eléctricas o frigoríficos.
- **¡Mantener el aparato fuera del alcance de los niños!**  
No permitir que otras personas toquen el inflador/desinflador o el cable, mantenerlas apartadas de la zona de trabajo.
- **No utilizar el cable de forma inapropiada**  
No tirar del cable del inflador/desinflador, tampoco para desenchufarlo. Es preciso proteger el cable del calor, del aceite y de cantos afilados. Se puede dañar el cable/enchufe.
- **Cuidar bien el inflador/desinflador**  
Mantener el inflador/desinflador limpio para trabajar de forma correcta y segura. Seguir las disposiciones sobre mantenimiento. Controlar regularmente el enchufe y el cable y dejar que un especialista reconocido los sustituya en caso de que estos hayan sufrido algún daño. Controle las alargaderas regularmente y sustituya aquellas que estén dañadas.
- **Es preciso evitar una puesta en marcha de la máquina no intencionada**  
Asegurarse de que el interruptor esté desconectado antes de enchufar la máquina a la red eléctrica.
- **Comprobar que el inflador/desinflador no presente daños**

Comprobar cuidadosamente que los dispositivos de protección o partes ligeramente dañadas funcionen de forma adecuada y según las normas antes de seguir utilizando el inflador/desinflador. Comprobar si las piezas móviles funcionan correctamente, sin atascarse o si hay piezas dañadas. Todas las piezas deberán montarse correctamente para garantizar la seguridad del aparato. Las piezas o dispositivos de protección dañados se deben reparar o sustituir en un taller de atención al cliente, a menos que en el manual de instrucciones se indique otra cosa. Los interruptores averiados deben sustituirse en un taller de asistencia técnica al cliente. No utilizar ninguna herramienta cuando no funcione el interruptor de conexión/desconexión.

- **Las reparaciones deben correr a cargo de un electricista especializado**  
Sólo un electricista especializado puede llevar a cabo las reparaciones, ya que de otro modo el operario podría sufrir algún accidente.
- **Ruido**  
Ponerse protección para los oídos cuando se esté empleando el inflador/desinflador.
- **Cambio del conducto de conexión**  
Cualquier daño en el cable de conexión debe ser reparado por un electricista, evitando así cualquier peligro. ¡Peligro por descargas eléctricas!
- **Inflado de neumáticos**  
Controlar la presión de los neumáticos justo después de inflarlos con ayuda de un manómetro adecuado, p. ej., en una gasolinera.
- **Lugar de instalación**  
Colocar el inflador/desinflador solo en una superficie uniforme.
- **ADVERTENCIA!** Riesgo de lesiones - No apunte el flujo de aire a las personas.

#### **Instrucciones de seguridad para trabajar con aire comprimido y pistolas de soplado**

- Mantener el aire aspirado por el desinflador libre de impurezas puesto que estas podrían provocar incendios o explosiones en la bomba.
- Ponerse gafas de protección. Peligro de lesiones provocadas por cuerpos extraños y piezas que salen disparadas a raíz del soplado.
- No dirigir el soplado a personas ni a ropa que se lleve puesta. ¡Peligro de sufrir daños!

#### **Instrucciones de seguridad en la pulverización**

- No procesar pinturas ni disolventes con un punto de inflamación inferior a los 131°F (55°C). ¡Peligro de explosión!
- No calentar pinturas ni disolventes. ¡Peligro de explosión!
- Si se procesan líquidos nocivos para la salud, será preciso utilizar filtros (mascarillas) a modo de protección. Tener en cuenta también los datos sobre medidas de protección de los fabricantes de dichos productos.
- Es preciso observar los datos indicados en los envoltorios de los materiales procesados y las identificaciones del reglamento sobre materiales nocivos. En caso necesario, es preciso aplicar medidas de protección adicionales, especialmente en lo que respecta a llevar ropa y mascarillas adecuadas.
- En la sala de trabajo y durante el pulverizado no se puede fumar. ¡Peligro de explosión! Incluso los vapores de las pinturas son fácilmente inflamables.
- No debe haber fogones, lumbre directa o máquinas que emitan chispas en las inmediaciones.
- No guardar ni ingerir comida ni bebida en la sala de trabajo. Los vapores de las pinturas son nocivos para la salud.
- La sala de trabajo deberá tener más de 1060 pies cúbicos (30 m³) y se debe garantizar una buena ventilación al pulverizar y secar. No pulverizar contra el viento. Al pulverizar productos inflamables o peligrosos es preciso observar las disposiciones de la autoridad policial local.
- No procesar junto con la manguera de presión de PVC medios como gasolina de comprobación, butanol ni cloruro de metileno. Dichos medios destruyen la manguera de presión.

#### **Funcionamiento de recipientes de presión**

- El recipiente de presión se deberá recibir en perfecto estado, operar de manera correcta, supervisar, realizar de manera inmediata los trabajos necesarios de mantenimiento y conservación así como tomar las medidas de seguridad adecuadas que se adapten a las circunstancias.
- La autoridad de supervisión podrá ordenar en casos aislados medidas de vigilancia necesarias.
- No poner en funcionamiento un recipiente de presión cuando presente defectos que pue-

- dan dañar a uno mismo o a terceros.
- Antes de cada funcionamiento, comprobar que el recipiente de presión no esté dañado ni oxidado. El compresor no debe utilizarse con un recipiente de presión dañado u oxidado. Si detecta algún daño, deberá ponerse en contacto con el taller del servicio técnico.

**Guardar las instrucciones de seguridad en lugar seguro.**

## 2. Descripción del aparato y volumen de entrega

### 2.1 Descripción del aparato

1. Cubierta de la carcasa
2. Recipiente de presión
3. Filtro de aire de aspiración
4. Pata de apoyo
5. Acoplamiento rápido (aire comprimido regulado)
6. Manómetro (para leer la presión ajustada)
7. Regulador de presión
8. Interruptor ON/OFF
9. Empuñadura para transporte
10. Válvula de seguridad
11. Llave de purga para agua de condensación
12. Batería (no se incluye en el volumen de entrega)
13. Compartimento para guardar accesorios Juego adaptador de 8 piezas
14. Juego adaptador de 8 piezas
15. Pistola de soplado con manómetro
16. Adaptador de soplado
17. Manguera de aire
18. Tapa de la batería
19. Interruptor para indicar la capacidad de batería
20. Indicador de capacidad de batería
21. Adaptador I
22. Adaptador II
23. Adaptador de purga de aire
24. Válvula de escape de aire
25. Aguja para inflar
26. Adaptador de Schrader a Presta para neumáticos de bicicleta
27. Boquillas de plástico
28. Boquilla de metal cónica
29. Boquilla de goma cónica
30. Manguera de mandril de aire

### 2.2 Volumen de entrega

Sirviéndose de la descripción del volumen de entrega, comprobar que el artículo esté completo. Si faltase alguna pieza, dirigirse a nuestro Service Center o a la tienda especializada más cercana en un plazo máximo de 5 días laborales tras la compra del artículo presentando un recibo de compra válido.

- Abrir el embalaje y extraer cuidadosamente el aparato.
- Retirar el material de embalaje, así como los dispositivos de seguridad del embalaje y para el transporte (si existen).
- Comprobar que el volumen de entrega esté completo.
- Comprobar que el aparato y los accesorios no presenten daños ocasionados durante el transporte.
- Si es posible, almacenar el embalaje hasta que transcurra el periodo de garantía.

### Peligro!

**¡El aparato y el material de embalaje no son un juguete! ¡No permitir que los niños jueguen con bolsas de plástico, láminas y piezas pequeñas! ¡Riesgo de ingestión y asfixia!**

- Pistola de soplado con manómetro
- Adaptador de soplado
- Juego adaptador de 8 piezas
- Manguera de aire 8.2 pies (2.5 m)
- Manual de instrucciones original
- Instrucciones de seguridad

### Accesorios disponibles por separado

18V 1.5Ah P-X-C batería Li-Ion  
 18V 2.0Ah P-X-C batería Li-Ion  
 18V 2.6Ah P-X-C Plus batería Li-Ion  
 18V 3.0Ah P-X-C batería Li-Ion  
 18V 4.0Ah P-X-C batería Li-Ion  
 18V 5.2Ah P-X-C Plus batería Li-Ion  
 18V P-X-C charger  
 18V Power X-Change cargador rápido de doble puerto

Explorar las opciones de batería y cargador en [einhellUSA.com](http://einhellUSA.com)

### 3. Uso adecuado

El compresor de aire compacto é inalámbrico sirve para generar aire comprimido para aquellas herramientas que lo necesiten con el fin de funcionar.

Utilizar la máquina sólo en los casos que se indiquen explícitamente como de uso adecuado. Cualquier otro uso no será adecuado. En caso de uso inadecuado, el fabricante no se hace responsable de daños o lesiones de cualquier tipo; el responsable es el usuario u operario de la máquina.

Tener en consideración que nuestro aparato no está indicado para un uso comercial, industrial o en taller. No asumiremos ningún tipo de garantía cuando se utilice el aparato en zonas industriales, comerciales o talleres, así como actividades similares.

### 4. Características técnicas

Alimentación de tensión

de motor: ..... 36 V  (2x 18V)

Velocidad del compresor: ..... 3200 min<sup>-1</sup> (rpm)

Max. Presión de servicio: ..... 135 psi (9.3 bar)

Volumen del recipiente de presión: .... 1.6 gal (6 l)

Potencia de

aspiración teórica: ..... 34.3 gal/min (130 l/min)

Potencia generada (aire comprimido)

a 102 psi (7 bar): ..... 10 gal/min (38 l/min)

Potencia generada (aire comprimido)

a 58 psi (4 bar): ..... 14.5 gal/min (55 l/min)

Tipo de protección: ..... IPX0

Peso: ..... 22 lb (10.5 kg)

### 5. Antes de la puesta en marcha

Antes de la conexión, asegurarse de que los datos de la placa de identificación coincidan con los datos de la batería.

- Comprobar que el aparato no haya sufrido ningún daño ocasionado por el transporte. Comunicar inmediatamente los daños eventuales a la empresa encargada de transportar el compresor.
- El compresor se deberá instalar en las inmediaciones del consumidor.
- Evitar conductos de aire largos.

- Asegurar que el aire de aspiración sea seco y esté libre de polvo.
- No colocar el compresor en salas húmedas.
- El compresor solo podrá ser operado en recintos apropiados (con ventilación óptima, temperatura ambiente 41°F a 104°F (+5° a +40°C). En la sala no debe haber polvo, ácido, vapor ni gas explosivo o inflamable.
- El compresor es apto para su uso en recintos secos. No se permite su uso en áreas de trabajo donde se produzcan salpicaduras.
- Operar el aparato únicamente sobre una base firme y plana.
- Emplear mangueras flexibles para evitar que se transmitan cargas inadmisibles al sistema de conductos en la conexión de la instalación de compresión al sistema de conductos.
- Es necesario emplear un separador, colector y posibilidades de desagüe según se requiera para procesar los líquidos que genera el compresor antes de la puesta en marcha de la instalación de compresión.
- Las mangueras de alimentación deben estar equipadas con un cable de seguridad (p. ej. un cable metálico) cuando las presiones sean superiores a los 102 psi (7 bar).

### 6. Montaje y puesta en servicio

**¡Advertencia!**

**¡Montar completamente el aparato antes de ponerlo en servicio!**

#### 6.1 Interruptor ON/OFF (fig. 1a)

Para conectar el aparato, poner el interruptor ON/OFF (8) en la posición 1.

Para desconectarlo, poner el interruptor ON/OFF (8) en la posición 0.

#### 6.2 Ajuste de presión: (Fig. 1a)

- La presión se puede regular en el manómetro (6) con el regulador de presión (7).
- La presión regulada se puede obtener del acoplamiento rápido (5).

#### 6.3 Ajuste del controlador de presión

El controlador de presión viene ajustado de fábrica.

Presión de conexión aprox. 87 psi (6 bar)

Presión de desconexión aprox. 135 psi (9.3 bar)

#### 6.4 Cómo cargar la batería de litio

Las instrucciones correspondientes se encuentran en el manual de instrucciones original del cargador.

#### 6.5 Indicador de capacidad de batería (fig. 3/pos. 20)

Pulsar el interruptor para acceder al indicador de capacidad de la batería (19). El indicador de capacidad de batería (20) le indica el estado de carga de la batería sirviéndose de 3 LEDs.

##### Los 3 LED están iluminados:

La batería está completamente cargada.

##### 2 o 1 LED están iluminados

La batería dispone de suficiente carga residual.

##### 1 LED parpadea:

La batería está vacía, es preciso cargarla.

##### Todos los LED parpadean

La batería está muy descargada y defectuosa. Está prohibido emplear y cargar una batería defectuosa.

## 7. Manejo

### 7.1 Indicador de la presión neumática con adaptadores (fig. 2)

#### Presión de trabajo en psi: 0-135 (9.3 bar)

##### Ámbito de aplicación:

El indicador de la presión (15) permite inflar neumáticos de forma sencilla y precisa. El manómetro sirve para controlar la presión neumática. La válvula de escape de aire (24) integrada permite reducir una presión neumática excesiva. El indicador de la presión neumática está dotado de un adaptador para válvulas de neumáticos de coche.

**¡Aviso!** Tener en cuenta los datos recomendados para la presión de neumáticos del fabricante de los neumáticos y los del fabricante del vehículo.

**¡Aviso!** Este aparato no está calibrado.

Después de inflar los neumáticos, comprobar que el valor de medición de la presión esté calibrado con un medidor adecuado, por ejemplo en una gasolinera.

##### Uso como pistola de soplado

Para utilizar el indicador de la presión neumática como pistola de soplado, es preciso primero desatornillar la manguera del adaptador para válvulas de neumáticos de coche. Ahora se puede

acoplar el adaptador de soplado (16) al indicador de la presión neumática.

##### Ámbito de aplicación:

Para limpiar/soplar espacios huecos o de difícil acceso, así como para limpiar equipos de trabajo sucios. El disparador continuo permite dosificar de forma exacta el aire comprimido.

### 7.2 Instrucciones para el juego adaptador

El resumen a continuación describe el uso correcto del adaptador para las distintas válvulas (véase la fig. 11 para conectar el adaptador al compresor).

- **Aguja para inflar (fig. 4/pos. 25)**

Ámbito de aplicación: para inflar pelotas/balones. La válvula de aguja para balón se puede utilizar para inflar distintos tipos de balones.

**CONSEJO:** Para evitar que la válvula se dañe, se recomienda humedecerla un poco antes de introducirla.

- **Adaptador de Schrader a Presta para neumáticos de bicicleta (fig. 5/pos. 26)**

Ámbito de aplicación: se adapta a válvulas prestas de ruedas de bicicletas.

El adaptador de válvula presta permite inflar fácilmente las ruedas de la bicicleta.

- **Adaptador I (fig. 6a/pos. 21)**

Ámbito de aplicación: para todas las válvulas que tengan un Ø interior a partir de 0.3 plg (8 mm).

El adaptador se puede utilizar para colchonetas, piscinas y barcos hinchables.

**CONSEJO:** Introducir el adaptador I en la válvula según se indica en la fig. 6b.

**¡Importante!** El capuchón de válvula se debe abrir un poco presionándolo.

- **Adaptador II (fig. 7/pos. 22)**

Ámbito de aplicación: para válvulas de rosca.

Se puede utilizar para todo tipo de barcas hinchables convencionales, kayaks u otros artículos de gran tamaño, como por ejemplo piscinas, que estén provistos de una válvula de rosca.

- **Adaptador de purga de aire (fig. 8/pos. 23)**

Ámbito de aplicación: para válvulas de escape de aire

Una válvula de escape de aire se suministra generalmente, junto con otras válvulas (válvula estándar, válvula atornillada, etc.), con muchos artículos de grandes dimensiones como, por ejemplo, un colchón hinchable.

- **Boquilla de metal/goma cónica (fig. 9-10/ pos. 28-29)**

Ámbito de aplicación: el adaptador universal está indicado para inflar colchonetas y similares.

## 8. Mantenimiento, limpieza y pedido de piezas de repuesto

### ¡Peligro!

**Quitar la batería antes de realizar trabajos de mantenimiento o de limpieza.**

### ¡Aviso!

**¡Esperar hasta que el compresor esté totalmente frío! ¡Peligro de sufrir quemaduras!**

### ¡Aviso!

**¡Eliminar la presión de la caldera antes de efectuar los trabajos de mantenimiento y limpieza!**

### ¡Aviso!

**Apagar siempre el aparato cuando se deje de usar y extraer la batería.**

### 8.1 Limpieza

- Reducir al máximo posible la suciedad y el polvo en los dispositivos de seguridad, las rendijas de ventilación y la carcasa del motor. Frotar el aparato con un paño limpio o soplarlo con aire comprimido manteniendo la presión baja.
- Se recomienda limpiar el aparato tras cada uso.
- Limpiar el aparato con regularidad con un paño húmedo y un poco de jabón blando. No utilizar productos de limpieza o disolventes ya que se podrían deteriorar las piezas de plástico del aparato. Es preciso tener en cuenta que no entre agua en el interior del aparato. Si entra agua en el aparato eléctrico existirá mayor riesgo de una descarga eléctrica.
- Antes de realizar la limpieza separar del compresor la manguera y las herramientas de pulverizado. No limpiar el compresor con agua, disolventes o similares.

### 8.2 Agua de condensación (fig. 1a)

**¡Advertencia!** Para conseguir una prolongada vida útil del recipiente de presión (2), después de cada funcionamiento debe evacuarse el agua de condensación abriendo la llave de purga (11). Antes de cada funcionamiento, comprobar que el recipiente de presión no esté dañado ni oxidado. El compresor no debe utilizarse con un recipiente de presión dañado u oxidado. Si detecta algún daño, deberá ponerse en contacto con el taller del servicio técnico.

### 8.3 Válvula de seguridad (10)

La válvula de seguridad está regulada a la presión mayor admitida del recipiente de presión. No está permitido reajustar la válvula de seguridad o retirar su precinto. Para que la válvula de seguridad funcione correctamente cuando resulte necesaria, activarla de vez en cuando. Apretar el anillo hasta que se pueda escuchar que sale la presión de aire. A continuación, volver a soltar el anillo.

### 8.4 Limpieza del filtro de aire de aspiración (3)

El filtro de aspiración impide aspirar polvo y suciedad. Es necesario limpiar dicho filtro como mín. cada 300 horas de servicio. Un filtro de aspiración atascado reduce considerablemente la potencia del compresor. Abrir las dos mitades de la carcasa del filtro de aire. Aplicar aire comprimido a todas las piezas del filtro a baja presión (aprox. 43.5 psi (3 bar)) y montar a continuación el filtro siguiendo el orden contrario. Durante la limpieza es preciso asegurar que se lleva la protección necesaria contra el polvo (p. ej. mascarilla adecuada).

### 8.5 Almacenamiento

#### ¡Aviso!

Retirar la batería y purgar de aire el aparato y todas las herramientas de aire comprimido conectadas. Colocar el compresor de manera que no se pueda conectar de forma inesperada.

#### ¡Aviso!

Guardar el compresor sólo en un entorno seco y al que no se pueda acceder sin autorización. ¡No inclinarlo, guardarlo sólo de pie!

### 8.6 Transporte

- Transportarlo solo por la empuñadura de transporte.
- Proteger el aparato contra golpes o vibraciones inesperadas.

### 8.7 Pedido de piezas de repuesto:

#### Servicio

1. **Si su herramienta eléctrica necesita servicio, póngase en contacto con un distribuidor autorizado de Einhell USA o llame al centro de atención al cliente de Einhell USA 1-866-EINHELL (1-866-346-4355).** Utilice exclusivamente piezas de repuesto idénticas para las reparaciones. Solo así se podrá mantener la seguridad de la herramienta eléctrica.
2. **Si el cable del cargador está dañado, cámbielo de inmediato para evitar peligros.** Si necesita asistencia, llame al centro de atención al cliente de Einhell USA® al 1-866-EINHELL (1-866-346-4355).

## 9. Eliminación y reciclaje

El aparato está protegido por un embalaje para evitar daños producidos por el transporte. Este embalaje es materia prima y, por eso, se puede volver a utilizar o llevar a un punto de reciclaje. El aparato y sus accesorios están compuestos de diversos materiales, como, p. ej., metal y plástico. Los aparatos defectuosos no deben tirarse a la basura doméstica. Para su eliminación adecuada, el aparato debe entregarse a una entidad recolectora prevista para ello. En caso de no conocer ninguna, será preciso informarse en el organismo responsable del municipio.

Sólo está permitido copiar la documentación y documentos anexos del producto, o extractos de los mismos, con autorización expresa de iSC GmbH.

Nos reservamos el derecho a realizar modificaciones técnicas

## 10. Posibles causas de fallo

Problema	Causa	Solución
El compresor no funciona	<ol style="list-style-type: none"> <li>1. Sin alimentación de corriente</li> <li>2. Temperatura exterior demasiado baja</li> <li>3. El motor se ha sobrecalentado</li> </ol>	<ol style="list-style-type: none"> <li>1. Comprobar las baterías</li> <li>2. No poner en funcionamiento cuando la temperatura exterior sea inferior a 41°F (5°C).</li> <li>3. Dejar enfriar el motor y, en caso necesario, solucionar la causa del sobrecalentamiento.</li> </ol>
El compresor está en marcha pero no hay presión	<ol style="list-style-type: none"> <li>1. La válvula de retención presenta fugas</li> <li>2. Juntas defectuosas</li> <li>3. La llave de purga para agua de condensación presenta fugas.</li> </ol>	<ol style="list-style-type: none"> <li>1. Cambiar la válvula de retención en un taller especializado.</li> <li>2. Comprobar las juntas, cambiar las juntas defectuosas en un taller especializado.</li> <li>3. Comprobar o sustituir, de ser necesario, la llave de purga.</li> </ol>
El compresor está en marcha, el manómetro indica la presión pero las herramientas no funcionan.	<ol style="list-style-type: none"> <li>1. Las conexiones de manguera presentan fugas.</li> <li>2. El acoplamiento rápido presenta fugas.</li> <li>3. Muy poca presión ajustada en el regulador de presión.</li> </ol>	<ol style="list-style-type: none"> <li>1. Comprobar la manguera de aire comprimido y las herramientas, en caso necesario cambiarlas.</li> <li>2. Comprobar el acoplamiento rápido y, de ser necesario, cambiarlo.</li> <li>3. Seguir abriendo el regulador de presión.</li> </ol>

En caso de que el aparato no funcione a pesar de haber reparado los fallos y de haber tensión, ponerse en contacto con el servicio de atención al cliente, véase apartado 8.7.



# Einhell®

## LA PROMESA DE EINHELL AL CLIENTE

**LO PRIMERO ES LA CALIDAD.** El nombre de Einhell es sinónimo de herramientas de alto rendimiento y manufactura europea de alta calidad. Desde destornilladores inalámbricos hasta cortacéspedes eléctricos, Einhell USA diseña y desarrolla innovadoras herramientas para jardinería y eléctricas de mano para amantes del DIY, jardineros aficionados y manitas.

Los equipos de aseguramiento de la calidad y de ingenieros de Einhell USA garantizan que los productos se sometan a las pruebas más exigentes en materia de calidad y rendimiento. Sabemos que incluso las herramientas más resistentes pueden sufrir complicaciones. Si nota alguna anomalía en su producto, le aseguramos que haremos todo lo posible para devolverle una herramienta capaz de trabajar satisfaciendo sus exigencias.

### REGISTRO DEL PRODUCTO:

Einhell le recomienda encarecidamente que registre su compra. Puede registrarla online en **EinhellUSA.com**. En caso de no hacerlo, el producto comprado no perderá los derechos de garantía. No obstante, registrando su compra permite que Einhell le preste un mejor servicio de atención al cliente cuando lo necesite.

### ¿QUÉ CUBRE?

Einhell garantiza al propietario que, si esta máquina falla en un plazo de 2 años a partir de la fecha de compra debido a un defecto en el material, en la manufactura o como resultado de un desgaste normal del uso doméstico ordinario, Einhell le enviará una pieza o un producto de repuesto, según se necesite, de manera gratuita y sin gastos de envío al comprador original. Si, a criterio exclusivo de Einhell, la máquina averiada no se puede reparar con una pieza, Einhell decidirá si a) envía una nueva máquina de manera gratuita y sin gastos de envío, o b) reembolsa al propietario el importe completo de la compra.

### ¿QUIÉN PUEDE OBTENER COBERTURA DE GARANTÍA?

Einhell hace entrega de la presente garantía al propietario de esta máquina (una "máquina" consiste en un producto alimentado por un motor) para un uso exclusivamente doméstico y privado. Esta garantía está limitada a treinta (30) días a partir de la fecha de compra original de cualquier producto de la marca EINHELL que se use para fines comerciales o cualquier otro fin que produzca beneficios. Si la máquina cambia de propietario durante el periodo de cobertura, actualice la información del propietario de la máquina en **EinhellUSA.com**

### ¿QUÉ NO CUBRE?

Esta garantía no cubre ningún producto que haya sufrido un uso indebido, negligencia, o accidente, o que haya sido operado de forma contraria a las instrucciones de uso especificadas en el manual de servicio. La presente

garantía no cubre cambios estéticos que no afecten al funcionamiento.

Esta garantía solo será válida si la máquina se usa y mantiene conforme a las instrucciones, advertencias e instrucciones de seguridad indicadas en el manual de servicio. Einhell no se hará responsable del coste de ninguna reparación de garantía no autorizada. Esta garantía no cubre ningún costo o gasto incurrido por el comprador al proporcionar equipos sustitutos o servicio durante períodos razonables de avería o no utilización de este producto, mientras se espera por una pieza de repuesto o nuevo producto conforme a esta garantía.

La garantía no cubre piezas de desgaste como correas, brocas, cadenas ni dientes, que se pueden comprar en **EinhellUSA.com** o llamando al **1-866-EINHELL (1-866-346-4355)**. Las baterías están completamente cubiertas durante 90 días a partir de la fecha de compra.

La reparación, sustitución o el reembolso del precio de compra constituyen compensaciones exclusivas del comprador y única responsabilidad de Einhell conforme a esta garantía. Ningún empleado ni representante de Einhell está autorizado a realizar ninguna garantía adicional ni modificación alguna a la presente garantía que pueda ser vinculante para Einhell. Por consiguiente, el comprador no deberá ampararse en ninguna declaración adicional hecha por ningún empleado o representante de Einhell. Einhell no se hace responsable en ningún caso, ya se base en el contrato, indemnización, garantía, agravio (incluyendo negligencia), responsabilidad absoluta o de otro tipo, de ningún daño especial, indirecto, accidental o consecuentes incluyendo, sin limitaciones, la pérdida de beneficios o ingresos.

Algunos estados no permiten límites en las garantías. En dichos estados, no se aplicarán las limitaciones expuestas anteriormente.

Fuera de EE. UU. y Canadá se aplicarán otras garantías.

## Sommaire

1. Consignes de sécurité
2. Description de l'appareil et contenu de l'emballage
3. Utilisation conforme
4. Caractéristiques techniques
5. Avant la mise en service
6. Montage et mise en service
7. Commande
8. Nettoyage, entretien et commande de pièces de rechange
9. Élimination et revalorisation
10. Causes de défaillance possibles



**Danger!** - Lire le mode d'emploi pour diminuer le risque de blessures



**Attention ! Portez une protection auditive.** Le bruit peut provoquer une perte d'acuité auditive.



**Avertissement contre le risque d'électrocution !**



**Avertissement contre les parties chaudes !**



**Avertissement !** L'unité est télécommandée et peut démarrer sans avertissement



Conserver les batteries uniquement dans des locaux secs et à une température ambiante de 50-104 °F (+10-+40 °C). Conserver les batteries uniquement en état chargé (au moins 40 % de charge).

#### Information pour réservoir sous pression:



**PS** : pression de service max.

**T<sub>max</sub>** : température de service max.

**T<sub>min</sub>** : température de service min.

**V** : Capacité du réservoir

**Danger !**

Certaines mesures de sécurité doivent être respectées pendant l'utilisation des appareils pour empêcher les blessures et les dommages. Par conséquent, lisez attentivement le présent mode d'emploi / les consignes de sécurité. Conservez-les bien pour avoir les informations toujours à la portée de la main. Si vous devez passer l'appareil à d'autres personnes, veuillez leur remettre également le présent mode d'emploi / les consignes de sécurité. Nous ne sommes pas tenus des accidents ou dommages survenus à cause de non-respect du présent mode d'emploi et des consignes de sécurité.

**1. Consignes de sécurité****Danger !**

**Lisez toutes les consignes de sécurité et instructions.** Le non-respect des consignes de sécurité et des instructions peut causer une électrocution, un incendie et / ou de graves blessures. **Conservez toutes les consignes de sécurité et instructions pour l'avenir.**

**Consignes générales de sécurité pour les outils électriques**

Le terme « outil électrique » utilisé dans les consignes de sécurité se réfère à des outils électriques alimentés par le secteur (avec câble d'alimentation) et à des outils électriques alimentés par la batterie (sans câble d'alimentation).

**1) Sécurité du lieu de travail**

- a) **Danger!** *Pour réduire de risque de blessure, l'utilisateur doit lire le mode d'emploi. Usage domestique seulement Utilisation intérieure seulement.*
- b) **Maintenez votre espace de travail propre et bien éclairé.** *Le désordre ou les espaces de travail non éclairés peuvent provoquer des accidents.*
- c) **Ne travaillez pas avec l'outil électrique dans une atmosphère explosible contenant des liquides, des gaz ou des poussières combustibles.** *Les appareils électriques génèrent des étincelles pouvant enflammer la poussière ou les vapeurs.*
- d) **Tenez à distance les enfants et autres personnes lors de l'utilisation de l'appareil électrique.** *En cas de distraction, vous pouvez perdre le contrôle de l'appareil.*

**2) Sécurité électrique**

- a) **La fiche de raccordement de l'appareil électrique doit être adaptée à la prise. La fiche ne doit être modifiée en aucune façon. N'utilisez pas de fiche d'adaptateur avec les outils électriques mis à la terre.** *Les fiches non modifiées et les prises adaptées diminuent le risque d'une électrocution.*
- b) **Évitez le contact physique avec les surfaces mises à la terre, comme celles de conduits, des chauffages, des cuisinières et des réfrigérateurs.** *Il existe un risque élevé d'électrocution lorsque votre corps est mis à la terre.*
- c) **Gardez les appareils électriques à l'abri de la pluie ou de l'humidité.** *La pénétration de l'eau dans un appareil électrique augmente le risque d'une électrocution.*
- d) **Ne détournez pas le câble de sa fonction pour porter ou pour accrocher l'appareil électrique ou pour retirer la fiche de la prise. Gardez le câble à l'abri de la chaleur, de l'huile, des bords coupants ou des éléments mobiles de l'appareil.** *Les câbles endommagés ou enchevêtrés augmentent le risque d'une électrocution.*
- e) **Si l'appareil électrique doit être utilisé dans un environnement humide, utilisez un disjoncteur de protection à courant de défaut.** *L'utilisation d'un disjoncteur de protection à courant de défaut diminue le risque d'une électrocution.*

**3) Sécurité des personnes**

- a) **Soyez attentif, prenez garde à ce que vous faites et soyez raisonnable en travaillant avec un outil électrique. N'utilisez pas un appareil électrique si vous êtes fatigué ou si vous vous trouvez sous l'effet de drogues, d'alcool ou de médicaments.** *Un instant d'inattention lors de l'utilisation de l'appareil électrique peut entraîner de graves blessures.*
- b) **Utiliser l'équipement de protection individuelle. Porter toujours une protection des yeux.** *L'équipement de protection, tel que le masque anti-poussière, les chaussures de sécurité antidérapantes, le casque protecteur ou la protection auditive utilisés dans des conditions appropriées, permet de réduire les dommages corporels.*
- c) **Éviter tout démarrage non intentionnel. S'assurer que le bouton marche-arrêt est en position OFF avant de connecter la source de courant et/ou la BATTERIE,**

**de prendre et de transporter l'outil.** *Transporter des outils électriques avec votre doigt sur le bouton marche-arrêt ou mettre sous tension des outils électriques dont le bouton marche-arrêt est position ON peut causer des accidents.*

- d) **Avant d'allumer l'outil électrique, retirez les outils de réglage ou les clés.** *Un outil ou une clé se trouvant dans un élément tournant de la machine peut entraîner des blessures.*
  - e) **Évitez une posture anormale. Ayez un appui stable et gardez l'équilibre en permanence.** *Vous pouvez ainsi mieux contrôler l'outil électrique dans des situations imprévues.*
  - f) **Portez des vêtements appropriés. Ne portez pas de vêtements amples ni de bijoux. Gardez les cheveux, les vêtements et les gants à distance des éléments mobiles.** *Des vêtements amples, bijoux ou longs cheveux peuvent être happés par les éléments mobiles.*
  - g) **Si des dispositifs d'aspiration ou de récupération des poussières peuvent être montés, assurez-vous qu'ils sont connectés et peuvent être utilisés correctement.** *L'utilisation d'une aspiration des poussières peut diminuer les risques causés par la poussière.*
  - h) **La familiarité acquise par l'utilisation fréquente des outils ne doit pas laisser place à la complaisance et à l'ignorance des principes de sécurité de l'outil.** *Une action imprudente peut causer de graves blessures en une fraction de seconde.*
- 4) Utilisation et traitement de l'outil électrique**
- a) **Ne surchargez pas l'appareil. Utilisez pour votre travail l'outil électrique idoine.** *Vous travaillez mieux et de manière plus sûre avec un outil électrique approprié dans la plage de puissance indiquée.*
  - b) **N'utilisez pas un outil électrique avec un interrupteur défectueux.** *Un outil électrique qui ne peut plus être allumé ou éteint est dangereux et doit être réparé.*
  - c) **Débrancher la fiche de la source électrique et / ou retirer le bloc de piles de l'outil électrique, s'il est amovible, avant de procéder à des ajustements, remplacer des accessoires ou ranger les outils électriques.** *De telles mesures préventives réduisent le risque de démarrage intempestif*
- de l'outil électrique.*
- d) **Conservez les outils électriques non utilisés hors la portée des enfants. Ne permettez pas aux personnes qui ne sont pas familiarisées avec cet appareil ou qui n'ont pas lu ces instructions de l'utiliser.** *Les outils électriques sont dangereux lorsqu'ils sont utilisés par des personnes inexpérimentées.*
  - e) **Entretien des outils électriques et les accessoires.** *Vérifier la dérive d'alignement ou l'attache des pièces mobiles, la rupture des pièces et s'assurer qu'aucun autre problème peut affecter le bon fonctionnement de l'outil électrique. Faire réparer l'outil endommagé avant l'utilisation.* *De nombreux accidents sont dus au mauvais entretien des outils électriques.*
  - f) **Maintenez vos outils de coupe aiguisés et propres. Les outils de coupe aux bords tranchants bien soignés se coincent moins et sont plus aisés à guider.**
  - g) **Utilisez l'outil électrique, les accessoires, les outils utilisés, etc. conformément au présent mode d'emploi. Tenez compte des conditions de travail et de l'activité à réaliser.** *L'utilisation des outils électriques pour des usages autres que prévus peut entraîner des situations dangereuses.*
  - h) **Garder les poignées et les surfaces de prise sèches, propres et exemptes d'huile et de graisse.** *Les poignées et surfaces de prise glissantes ne permettent pas d'effectuer une manipulation et un contrôle de l'outil en toute sécurité dans des situations imprévues.*
- 5) Utilisation et traitement de l'outil sans fil**
- a) **Chargez les batteries uniquement dans les chargeurs recommandés par le fabricant.** *L'utilisation d'un chargeur pour des batteries non appropriées présente un risque d'incendie.*
  - b) **Utilisez dans les outils électriques uniquement les batteries prévues à cet effet.** *L'utilisation d'autres batteries peut entraîner des blessures et le risque d'incendie.*
  - c) **Conservez la batterie non utilisée à distance des trombones, pièces de monnaie, clés, clous, vis ou autres menus objets en métal susceptibles de provoquer un pontage des contacts.** *Un court-circuit entre les contacts de la batterie peut entraîner des brûlures ou le feu.*
  - d) **En cas d'utilisation incorrecte, un liquide peut s'échapper de la batterie. Ne le tou-**

**chez pas. Rincer à l'eau en cas de contact fortuit. Si le liquide entre en contact avec les yeux, consultez également le médecin.** *Le liquide s'échappant de la batterie peut causer des irritations cutanées ou des brûlures.*

- e) **Ne pas utiliser une BATTERIE ou un outil endommagé(e) ou modifié(e).** *Les batteries endommagées ou modifiées peuvent agir de manière imprévisible et donner lieu à un incendie, une EXPLOSION ou un risque de blessure.*
  - f) **Ne pas exposer une BATTERIE ou un outil au feu ou à une température excessive.** *Une exposition au feu ou à une température supérieure à 266°F (130°C) peut causer une explosion.*
  - g) **Suivre toutes les instructions de charge et ne pas charger la BATTERIE ou l'outil en dehors de la plage de température spécifiée dans les instructions.** *Un mauvais chargement ou un chargement à des températures en dehors de la plage spécifiée peut endommager la BATTERIE et augmenter les risques d'incendie.*
- 6) Service**
- a) **Faites réparer votre outil électrique uniquement par des spécialistes qualifiés et uniquement avec des pièces de rechange d'origine.** *Cela garantit le maintien de la sécurité de l'outil électrique.*
  - b) **Ne jamais entretenir des BATTERIES endommagées.** *L'entretien des BATTERIES doit être effectué uniquement par le fabricant ou par des prestataires de service autorisés.*

#### Consignes spécifiques de sécurité

Nous construisons chaque pack de batterie avec le plus grand soin possible pour pouvoir vous transmettre les batteries avec la densité énergétique, la durabilité et la sécurité maximales. Les cellules de batterie sont munies de dispositifs de sécurité de plusieurs niveaux. Chaque cellule individuelle est d'abord formatée, et leurs courbes caractéristiques sont enregistrées. Ensuite, ces données sont utilisées pour pouvoir regrouper les meilleures batteries possible.

**Malgré toutes les mesures de sécurité, il faut toujours être prudent en maniant les batteries. Les points suivants doivent être impérativement respectés pour assurer le fonctionnement sûr.**

**Le fonctionnement sûr n'est possible qu'avec des cellules intactes ! Une manipulation in-**

**correcte endommage les cellules.**

**Attention !** Des analyses confirment que l'utilisation gravement inappropriée et des soins incorrects constituent la cause principale des dommages dus aux batteries haute performance.

#### Consignes concernant les batteries

1. Le pack de batterie de l'appareil sans fil n'est pas chargé à la livraison. Par conséquent, la batterie doit être chargée avant la première mise en service.
2. Évitez des cycles de décharge à plat pour garantir la performance maximale de la batterie ! Chargez souvent votre batterie.
3. Conservez votre batterie au frais, au mieux à 59 °F (+15 °C), et chargée d'au moins à 40 %.
4. Les batteries Lithium-Ion sont sujettes au vieillissement naturel. La batterie doit être remplacée au plus tard lorsque la capacité de la batterie ne correspond plus qu'à 80 % de l'état neuf. Les cellules affaiblies dans un pack de batterie vieilli ne tiennent plus la tête aux exigences élevées en terme de performance et présentent ainsi un risque de sécurité.
5. Ne jetez pas les batteries usées dans le feu ouvert. Risque d'explosion !
6. Ne pas allumer la batterie et ne pas l'exposer à la combustion.
7. **Ne pas décharger complètement la batterie !** La décharge complète endommage les cellules de la batterie. La cause la plus fréquente de la décharge complète du pack de batterie constitue un stockage ou non-utilisation prolongés des batteries à moitié chargées. Terminez l'opération dès que la puissance diminue visiblement ou la protection électronique réagit. Ne conservez la batterie que complètement chargée.
8. **Protéger les batteries et l'appareil contre la surcharge !** Une surcharge provoque rapidement la surchauffe et l'endommagement des cellules à l'intérieur du boîtier de batterie, sans que cela puisse se voir de l'extérieur.
9. **Évitez les détériorations et les chocs !** Remplacez sur-le-champ les batteries ayant chuté d'une hauteur de plus d'un mètre ou ayant été exposées à des coups violents, même si le boîtier du pack de batterie semble intact. Les cellules de la batterie peuvent être sérieusement endommagées à l'intérieur. Respectez à cet égard également les consignes d'élimination.

10. En cas de surcharge et de surchauffe, le circuit de protection intégré éteint l'appareil pour des raisons de sécurité.  
**Attention !** N'actionnez plus l'interrupteur marche / arrêt lorsque le circuit de protection a éteint l'appareil. Cela peut endommager la batterie.
11. N'utilisez que des batteries d'origine. L'utilisation d'autres batteries peut entraîner des blessures, une explosion et le risque d'incendie.
12. **Protégez votre batterie de l'humidité, de la pluie et de l'humidité de l'air élevée.** L'humidité, la pluie et l'humidité de l'air élevée peuvent endommager dangereusement les cellules. En aucun cas, ne chargez ni ne travaillez avec la batterie qui a été exposée à l'humidité, à la pluie ou à l'humidité de l'air élevée – remplacez-les immédiatement !
9. Un chargement à une température inférieure à 50 °F (10 °C) entraîne une détérioration chimique de la cellule et peut provoquer un incendie.
10. N'utilisez pas de batteries qui se sont réchauffées pendant le chargement, car les cellules de la batterie pourraient être dangereusement endommagées.
11. N'utilisez plus les batteries qui se sont bombées ou déformées pendant le chargement ou qui présentent des symptômes inhabituels (dégazage, sifflement, grésillement, ...).
12. Ne déchargez pas complètement la batterie (déchargement maximal recommandé max. 80 %). Le déchargement complet entraîne un vieillissement précoce des cellules de la batterie.
13. Ne chargez jamais les batteries sans surveillance !

#### Consignes concernant le chargeur et la charge

1. Tenez compte des informations indiquées sur la plaque signalétique du chargeur. Raccordez le chargeur uniquement à la tension d'alimentation indiquée sur la plaque signalétique.
  2. Protégez le chargeur et le fil contre l'endommagement et les bords coupants. Les câbles endommagés doivent être immédiatement remplacés par un électricien.
  3. Protéger le chargeur, les batteries et l'appareil sans fil contre les enfants.
  4. Ne pas utiliser des chargeurs endommagés.
  5. N'utilisez le chargeur fourni pour charger d'autres appareils sans fil.
  6. En cas de forte sollicitation, le pack de batterie se réchauffe. Laissez refroidir le pack de batterie à la température ambiante avant le chargement.
  7. **Ne pas surcharger les batteries !** Respectez les durées maximales du chargement. Ces durées de chargement s'appliquent uniquement aux batteries déchargées. Le branchement répété d'une batterie chargée ou partiellement chargée entraîne la surcharge et l'endommagement des cellules. Ne pas laisser les batteries insérées dans le chargeur pendant plusieurs jours.
  8. **N'utilisez ni chargez pas les batteries que vous supposez avoir été chargées pour la dernière fois depuis plus de 12 mois.** Il est hautement probable que la batterie est déjà dangereusement endommagée (déchargement complet).
- #### Protection contre l'impact environnemental
1. Portez des vêtements de travail appropriés. Porter des lunettes de protection.
  2. **Protégez votre appareil sans fil et le chargeur contre l'humidité et la pluie.** L'humidité et la pluie peuvent entraîner des endommagements dangereux des cellules.
  3. Ne pas utiliser l'appareil sans fil et le chargeur dans un espace contenant des vapeurs et des liquides combustibles.
  4. Utiliser le chargeur et les appareils sans fil uniquement en état sec et à une température ambiante de 50-104 °F (10-40 °C).
  5. Ne conservez pas la batterie dans des endroits où la température peut être supérieure à 104 °F (40 °C), en partic. dans un véhicule garé au soleil.
  6. **Protéger les batteries contre la surchauffe !** Une surcharge, un chargement excessif ou le rayonnement solaire entraînent la surchauffe et détériorent les cellules. Ne chargez ni travaillez en aucun cas avec les batteries qui ont été surchauffées, mais remplacez-les sans tarder.
  7. **Conservation des batteries, des chargeurs et de l'appareil sans fil.** Conservez le chargeur et votre appareil sans fil uniquement dans des locaux secs à une température ambiante de 50-104 °F (10-40 °C). Conservez la batterie Lithium-Ion au frais et au sec à 50-68 °F (10-20 °C). Protéger contre l'humidité de l'air et le rayonnement solaire direct ! Conserver les batteries uniquement en état chargé (au moins 40 % de charge).
  8. Empêchez que la batterie Lithium-Ion gèle.

Les batteries qui ont été conservées plus de 60 minutes au-dessous de 32 °F (0 °C) doivent être éliminées.

- Attention lors de la manipulation des batteries en rapport avec la charge électrostatique : les décharges électrostatiques endommagent la protection électronique et les cellules de la batterie ! Par conséquent, évitez les décharges électrostatiques et ne touchez jamais les pôles de la batterie !

#### Mise en garde concernant les batteries et informations sur leur élimination

##### Élimination

Si votre outil doit être remplacé après une période d'utilisation prolongée, ne le jetez pas avec les ordures ménagères, mais éliminez-le d'une manière respectueuse pour l'environnement.



Les déchets produits par les éléments d'un outil ou d'une machine électrique ne doivent pas être traités comme des déchets ménagers. Veuillez les recycler dans les installations prévues à cet effet.

Pour obtenir des conseils sur le recyclage, communiquez avec les services publics locaux ou avec votre revendeur.

Éliminez toujours les blocs-piles en vous conformant aux réglementations fédérales, provinciales ou territoriales et locales.

Communiquez avec un organisme de recyclage de votre région pour obtenir la liste des sites de recyclage.

**⚠ MISE EN GARDE!** Même déchargé, un bloc-piles emmagasine une certaine énergie. Avant de l'éliminer, utiliser du ruban isolant pour couvrir les bornes et empêcher ainsi le bloc-piles de provoquer un court-circuit, ce qui pourrait causer un incendie ou une explosion.

**⚠ AVERTISSEMENT!** Pour réduire le risque de blessure ou d'explosion, ne jamais brûler ou incinérer un bloc-piles, même s'il est endommagé, à plat ou complètement déchargé. En brûlant, des vapeurs et des matières toxiques sont émises dans l'atmosphère environnante.

- Les batteries varient selon le type d'outils ou de machines. Consulter le manuel pour des renseignements spécifiques.
- Le cas échéant, insérer uniquement des batteries neuves de même type dans l'outil ou la machine.
- Si, en l'insérant, la polarité de la batterie n'est pas respectée, comme indiqué dans le compar-timent à batterie ou dans le manuel,

sa durée de vie pourrait être réduite ou elle pourrait fuir.

- Ne pas mélanger des batteries anciennes et des neuves.
- Ne pas mélanger des batteries alcalines, standard (carbone/zinc) ou rechargeables (au nickel-cadmium, au nickel-métal-hydrure ou au lithium-ion).
- Ne jeter aucune batterie au feu. Les cellules de batterie peuvent exploser.
- Les batteries doivent être recyclées ou éliminées en observant les directives provinciales ou territoriales et locales.

**Pour expédier ou éliminer les batteries ou l'appareil sans fil, veillez à ce qu'ils soient emballés individuellement dans un sachet en plastique pour empêcher les courts-circuits ou les incendies !**

#### Consignes de sécurité pour le gonflage/dégonfleuse

**Danger ! Les mesures de sécurité fondamentales suivantes doivent être respectées pendant l'utilisation de ce gonflage/dégonfleuse pour la protection contre l'électrocution et les risques de blessure et d'incendie. Lisez et respectez ces consignes avant d'utiliser l'appareil.**

- Tenez compte des influences de l'environnement**  
N'exposez pas le gonflage/dégonfleuse à la pluie. N'utilisez pas le gonflage/dégonfleuse dans un environnement humide ou mouillé. Risque d'électrocution ! Veillez au bon éclairage. N'utilisez pas le gonflage/dégonfleuse à proximité des liquides ou gaz combustibles. Risque d'explosion !
- Protégez-vous contre l'électrocution**  
Évitez le contact corporel avec les éléments mis à la terre, comme par exemple les tuyaux, radiateurs, cuisinières ou réfrigérateurs.
- Éloignez les enfants !  
Ne laissez pas les autres personnes toucher le gonflage/dégonfleuse ou le câble, éloignez-les de votre zone de travail.
- Ne détournez pas le câble de sa fonction**  
Ne tirez pas le gonflage/dégonfleuse par le câble et ne l'utilisez pas pour retirer le connecteur de la prise. Protégez le câble de la chaleur, l'huile et les arrêtes coupantes. Le câble et le connecteur peuvent être endommagés.
- Prenez bien soin de votre gonflage/dégonfleuse**



Gardez votre gonflage/dégonfleur propre pour qu'il fonctionne bien et de manière sûre. Suivez les instructions de maintenance. Contrôlez régulièrement le connecteur et le câble et faites les remplacer par un technicien habilité en cas d'endommagement. Contrôlez régulièrement la rallonge et remplacez-la en cas d'endommagement.

- **Évitez un démarrage inopiné**

Assurez-vous que l'interrupteur est éteint en cas de raccordement au réseau électrique.

- **Contrôlez votre gonflage/dégonfleur sur la présence d'endommagements**

Vérifier minutieusement le fonctionnement parfait et conforme des dispositifs de protection ou des pièces légèrement endommagées avant de continuer à utiliser le gonflage/dégonfleur. Vérifiez que les pièces mobiles fonctionnent bien, qu'elles ne sont pas coincées ou endommagées. Toutes les pièces doivent être montées correctement pour assurer la sécurité de l'appareil. Les dispositifs de protection et pièces endommagés doivent être réparés ou remplacés de manière appropriée par un atelier de service après-vente, sauf indication contraire figurant dans les instructions de service. Les interrupteurs endommagés doivent être remplacés par un atelier de service après-vente. N'utilisez pas d'outils dont l'interrupteur ne peut pas être activé et désactivé facilement.

- **Réparations uniquement par un électricien**

Les réparations doivent être effectuées uniquement par un électricien, au risque de causer des accidents pour l'exploitant.

- **Bruit**

Porter une protection auditive lors de l'utilisation du gonflage/dégonfleur

- **Remplacement du câble de raccordement**

Si le câble de raccordement est endommagé, il doit être remplacé par le fabricant ou un électricien pour éviter des risques. Risque d'électrocutions !

- **Gonflage des pneus**

Contrôlez la pression des pneus immédiatement après le gonflage au moyen d'un manomètre approprié, p. ex., à une station-service.

- **Lieu d'installation**

Installez le gonflage/dégonfleur uniquement sur une surface plane.

- **AVERTISSEMENT! Le risque de blessure**  
- Ne pas diriger les ajutages d'air sur une personne.

### Consignes de sécurité pour l'utilisation de l'air comprimé et des pistolets de soufflage

- L'air aspiré par le dégonfleur doit être gardé exempt d'impuretés susceptibles d'entraîner des incendies ou explosions dans la pompe de compression.
- Porter des lunettes de protection. Des corps étrangers et des pièces projetées peuvent facilement provoquer des blessures.
- Ne pas souffler sur les personnes ni ne nettoyer les vêtements sur le corps. Risque de blessures !

### Consignes de sécurité pour la peinture au pistolet

- Ne pas appliquer de peintures ni solvants avec un point d'inflammation inférieur à 131°F (55°C). Risque d'explosion !
- Ne pas chauffer les peintures et les solvants. Risque d'explosion !
- En cas de traitement de liquides nocifs pour la santé, des appareils de filtration (masques faciaux) sont nécessaires pour la protection. Respectez également les indications sur les mesures de protection données par les fabricants de telles substances.
- Respecter les indications figurant sur les emballages extérieurs des matériaux traités et le marquage visé par l'ordonnance sur les substances dangereuses. Le cas échéant, des mesures de protection supplémentaires doivent être prises, en particulier les vêtements appropriés et les masques.
- Il est interdit de fumer pendant la pulvérisation et dans l'espace de travail. Risque d'explosion ! Même les vapeurs des peintures sont facilement inflammables.
- La présence et l'exploitation de feux ouverts, lumière non protégée ou machines produisant des étincelles sont interdites.
- Ne pas conserver ni consommer de la nourriture ni des boissons dans l'espace de travail. Les vapeurs de peinture sont nocives pour la santé.
- L'espace de travail doit être supérieur à 30 m<sup>3</sup> (1060 pi<sup>3</sup>) et il doit y avoir une ventilation suffisante pendant la pulvérisation et le séchage. Ne pas pulvériser contre le vent. Fondamentalement, respecter les dispositions de l'autorité policière locale lors de la pulvérisation des matières combustibles ou dangereuses.
- N'appliquez pas de milieux tels que le white spirite, l'alcool butylique et le chlorure de méthylène en lien avec le tuyau de pression en PVC. Ces milieux détruisent le tuyau de

pression.

### Exploitation des réservoirs sous pression

- Celui qui exploite un réservoir sous pression doit le maintenir en bon état, l'exploiter correctement, le surveiller, effectuer immédiatement les travaux d'entretien et de réparation nécessaires et prendre les mesures de sécurité exigées par les circonstances.
- Dans certains cas, l'autorité de contrôle peut ordonner des mesures de surveillance nécessaires.
- Il est interdit d'exploiter un réservoir sous pression s'il présente des défauts dangereux pour les employés ou les tiers.
- Contrôlez le réservoir sous pression sur la présence de rouille ou d'endommagements avant chaque service. Il est interdit d'exploiter le compresseur avec un réservoir sous pression rouillé. Veuillez contacter l'atelier du service à la clientèle si vous constatez des endommagements.

**Conservez bien les consignes de sécurité.**

## 2. Description de l'appareil et contenu de l'emballage

### 2.1 Description de l'appareil

1. Couvercle de boîtier
2. Réservoir sous pression
3. Filtre d'aspiration
4. Pied d'appui
5. Raccord rapide (air comprimé réglé)
6. Manomètre (possibilité de lire la pression réglée)
7. Régulateur de pression
8. Interrupteur de marche / arrêt
9. Poignée de transport
10. Soupape de sécurité
11. Robinet de vidange pour l'eau de condensation
12. Batterie (non fournie)
13. Compartiment de rangement du kit adaptateur de 8 pièces
14. Kit adaptateur de 8 pièces
15. Soufflette à air comprimé avec manomètre
16. Adaptateur de purge
17. Tuyau d'air
18. Couvercle de la batterie
19. Commutateur pour l'indicateur de capacité de la batterie
20. Indicateur de capacité de la batterie

21. Adaptateur I
22. Adaptateur II
23. Adaptateur d'échappement
24. Vanne de vidange
25. Embout conique en métal
26. Valve Schrader pour l'adaptateur Presta pour les pneus de vélo
27. Embouts en plastique
28. Embout conique en métal
29. Embout conique en caoutchouc
30. Tuyau à mandarin pneumatique

### 2.2 Contenu d'emballage

Veuillez contrôler l'intégralité de l'article au moyen du contenu d'emballage décrit. En cas de pièces manquantes, veuillez contacter notre centre de service à la clientèle ou le point de vente où vous avez acheté l'appareil au plus tard dans les 5 jours ouvrables à compter de l'achat de l'article en présentant un ticket de caisse valable.

- Ouvrez l'emballage et retirez-en prudemment l'appareil.
- Enlevez le matériau d'emballage ainsi que les sécurités d'emballage et de transport (le cas échéant).
- Contrôlez l'intégralité du contenu d'emballage.
- Vérifiez si l'appareil et les accessoires présentent des dommages dus au transport.
- Si possible, conservez l'emballage jusqu'à l'expiration de la durée de garantie.

### Danger !

**L'appareil et le matériau d'emballage ne sont pas un jouet ! Les enfants ne doivent pas jouer avec des sachets en plastique, des films ou de petites pièces ! Il existe le risque d'ingestion et de suffocation !**

- Soufflette à air comprimé avec manomètre
- Adaptateur de purge
- Kit adaptateur de 8 pièces
- Tuyau d'air 2,5m (8,2 pi)
- Mode d'emploi d'origine
- Consignes de sécurité

### Accessoires disponibles séparément

18V 1,5Ah P-X-C batterie Li-ion  
 18V 2,0Ah P-X-C batterie Li-ion  
 18V 2,6Ah P-X-C Plus batterie Li-ion  
 18V 3,0Ah P-X-C batterie Li-ion  
 18V 4,0Ah P-X-C batterie Li-ion  
 18V 5,2Ah P-X-C Plus batterie Li-ion  
 18V P-X-C chargeur  
 18V Power X-Change chargeur rapide à double  
 raccord

Explorez les options de batterie + chargeur sur  
[einhellUSA.com](http://einhellUSA.com)


### 3. Utilisation conforme

Le compresseur d'air compact sans cordon sert à produire de l'air comprimé pour les outils à commande pneumatique.

La machine ne doit être utilisée que conformément à sa destination. Toute autre utilisation dépassant ce cadre n'est pas conforme. C'est l'utilisateur / l'opérateur qui est responsable de tous les dommages ou blessures de toute nature en résultant et non pas le fabricant.

Veillez noter que nos appareils n'ont pas été conçus pour une utilisation commerciale, artisanale ou industrielle. Nous n'accordons aucune garantie si l'appareil est utilisé dans des entreprises commerciales, artisanales ou industrielles ou pour des activités équivalentes.

### 4. Caractéristiques techniques

Alimentation électrique  
 du moteur: .....36 V  (2x 18 V)  
 Vitesse du compresseur: ..... 3200 min<sup>-1</sup> (rpm)  
 Max. Pression de service: ..... 9,3 bar (135 psi)  
 Capacité du réservoir: ..... 6 l (1,6 gal)  
 Puissance d'aspiration  
 théorique: ..... 130 l/min (34,3 gal/min)  
 Puissance de sortie (air comprimé)  
 à 7 bar (102 psi) : ..... 38 l/min (10 gal/min)  
 Puissance de sortie (air comprimé)  
 à 4 bar (58 psi) : ..... 55 l/min (14,5 gal/min)  
 Type de protection : .....IPX0  
 Poids : ..... 10,5 kg (22 lb)

### 5. Avant la mise en service

Avant le branchement, assurez-vous que les données figurant sur la plaque signalétique correspondent aux données des batteries.

- Vérifiez si l'appareil présente des dommages dus au transport. Signaler immédiatement les dommages éventuels à l'entreprise de transport ayant livré le compresseur.
- Le compresseur devrait être mis en place à proximité du consommateur.
- Éviter des conduites d'air trop longues.
- Veiller à ce que l'air aspiré soit sec et exempt de poussière.
- Ne pas installer le compresseur dans un local humide ou mouillés.
- Le compresseur ne doit être exploité que dans des locaux adaptés (bien aérés, à température ambiante entre +5 °C et +40 °C (41 °F et 104 °F). Le local doit être exempt de poussières, acides, vapeurs, gaz explosifs et inflammables.
- Le compresseur convient uniquement pour l'utilisation dans des locaux secs. L'utilisation dans des zones exposées aux projections d'eau est interdite.
- Exploitez l'appareil uniquement sur un support solide et plane.
- Utilisez des tuyaux flexibles pour empêcher le transfert des charges inadmissibles sur le système de conduites au point de la connexion du compresseur au système de conduites.
- Il est indispensable d'utiliser des séparateurs, fixateurs et possibilités d'écoulement nécessaires pour le traitement des liquides produits par le compresseur avant la mise au service du compresseur.
- Les tuyaux d'alimentation à des pressions supérieures à 7 bar (102 psi) devraient être équipés d'un câble de sécurité (p. ex., d'un câble métallique).

## 6. Montage et mise en service

### Remarque !

**Il est impératif de monter l'appareil complètement avant la mise en service !**

### 6.1 Interrupteur de marche / arrêt (fig. 1a)

Pour allumer l'appareil, mettez l'interrupteur de marche / arrêt (8) sur la position 1.

Pour éteindre l'appareil, mettez l'interrupteur de marche / arrêt (8) en position 0.

### 6.2 Réglage de pression : (fig. 1a)

- Le régulateur de pression (7) permet de régler la pression sur le manomètre (6).
- La pression réglée peut être lue sur le raccord rapide (5).

### 6.3 Réglage du pressostat

Le pressostat est réglé à l'usine.

Pression de mise en marche env. 6 bar (87 psi)

Pression de mise à l'arrêt env. 9,3 bar (135 psi)

### 6.4 Chargement de la batterie LI

Vous trouverez les instructions correspondantes dans le mode d'emploi d'origine de votre chargeur.

### 6.5 Affichage de la capacité de la batterie (image 3/Pos. 20)

Appuyez sur l'interrupteur de l'affichage de la capacité de la batterie (19). L'affichage de la capacité de la batterie (20) signale l'état de charge de la batterie au moyen de 3 LEDs.

#### Les 3 LEDs s'allument:

La batterie est complètement chargée.

#### 2 ou 1 LED(s) s'allument:

La batterie a une charge résiduelle suffisante.

#### 1 LED clignote:

La batterie est déchargée, chargez la batterie.

#### Toutes les LEDs clignent:

La batterie a été profondément déchargée et est défectueuse. Une batterie défectueuse ne peut plus être utilisée et chargée!

## 7. Commande

### 7.1 Capteur de gonflage avec adaptateurs (fig. 2)

**Pression de fonctionnement en bar : 0-9,3 bar (0-135 psi)**

#### Domaine d'application :

Le capteur de gonflage (15) permet un gonflage simple et précis des pneus de voiture. Le manomètre sert à contrôler la pression des pneus. La vanne de vidange intégrée (24) permet de baisser une pression des pneus excessive. Le capteur de gonflage est équipé d'un adaptateur de vanne pour les valves de pneus de voiture.

**Avertissement !** Respectez les indications du fabricant des pneus et du véhicule concernant la pression de gonflage recommandée.

**Avertissement !** Cet appareil n'est pas étalonné !

Pour obtenir une valeur mesurée étalonnée, vérifiez la pression des pneus après le gonflage avec un appareil adapté, par exemple à la station-service.

#### Utilisation comme pistolet à air

Pour utiliser le capteur de gonflage en tant que pistolet à air, il faut d'abord visser le tuyau avec l'adaptateur de vanne pour les pneus de voiture. Maintenant, on peut visser l'adaptateur de purge (16) au capteur de gonflage.

#### Domaine d'application :

Pour le nettoyage / la purge des cavités ou des endroits difficiles d'accès et pour le nettoyage des outils de travail encrassés. Le levier de déclenchement fonctionnant en continu permet un dosage exact de l'air comprimé.

### 7.2 Mode d'emploi du kit adaptateur

Vous trouverez dans l'aperçu suivant l'utilisation correcte des adaptateurs pour différentes vannes (voir la fig. 11 pour le raccordement des adaptateurs au compresseur).

- **Embout conique en métal (fig. 4/pos. 25)**

Domaine d'utilisation : Pour gonfler les ballons. L'aiguille pour les ballons peut être utilisée pour le gonflage de différents ballons.

**CONSEIL :** Humidifier légèrement l'aiguille pour les ballons avant son introduction pour ne pas endommager la vanne.

- **Valve Schrader pour l'adaptateur Presta pour les pneus de vélo (fig. 5/pos. 26)**  
Domaine d'utilisation : Convient pour les valves des pneus de vélo.  
L'adaptateur de valve permet de gonfler facilement les pneus de vélo.
- **Adaptateur I (fig. 6a / pos. 21)**  
Domaine d'utilisation : Pour toutes les vannes avec un Ø intérieur à partir de 8 mm (0,3 in.). Par exemple, vous pouvez utiliser l'adaptateur pour les matelas pneumatiques, les piscines ou même les bateaux.  
**CONSEIL** : Introduisez l'adaptateur I dans la vanne comme il est montré sur la photo 6b.  
**Important !** Le bouchon de la vanne doit être légèrement ouvert par une compression correspondante.
- **Adaptateur II (fig. 7 / pos. 22)**  
Domaine d'utilisation : pour les valves à vis. Vous pouvez les utiliser pour tous les petits bateaux, kayacs ou autres grands articles, comme par exemple les piscines, équipé d'une valve à vis.
- **Adaptateur d'échappement (fig. 8 / pos. 23)**  
Domaine d'utilisation : pour les vannes d'échappement une vanne d'échappement se trouve avec d'autres vannes (vanne standard, valve à vis, ...) sur de nombreux articles volumineux, comme par exemple un lit pneumatique.
- **Embout conique en metal/caoutchouc (fig. 9-10/pos. 28-29)**  
Domaine d'utilisation : L'adaptateur universel peut être utilisé pour gonfler les matelas pneumatiques ou des articles semblables.

## 8. Nettoyage, entretien et commande de pièces de rechange

### Danger !

**Retirez la batterie avant tous les travaux de nettoyage et de maintenance.**

### Avertissement !

**Attendez que le compresseur se soit refroidi complètement ! Risque de brûlure !**

### Avertissement !

**Mettez le compresseur hors pression avant tous les travaux de nettoyage et de maintenance.**

### Avertissement !

**Après l'utilisation, éteignez toujours l'appareil et retirez les batteries.**

### 8.1 Nettoyage

- Maintenez les dispositifs de protection, les fentes d'aération et les carters de moteur aussi exempt de poussières et de saletés que possible. Frottez l'appareil avec un linge propre et nettoyez-le à l'air comprimé à basse pression.
- Nous recommandons de nettoyer l'appareil directement après chaque utilisation.
- Nettoyez l'appareil régulièrement avec un linge humide et un peu de savon noir. N'utilisez pas de détergeant ni de solvants ; ils peuvent détériorer les éléments en plastique de l'appareil. Veillez à ce que l'eau ne puisse pas pénétrer à l'intérieur de l'appareil. La pénétration de l'eau dans un appareil électrique augmente le risque d'une électrocution.
- Débrancher le tuyau et les outils de pulvérisation du compresseur avant le nettoyage. Ne pas nettoyer le compresseur avec de l'eau, des solvants, etc.

### 8.2 Eau de condensation (fig. 1a)

**Remarque !** Pour assurer une longue durée de service du réservoir sous pression (2), évacuer l'eau de condensation en ouvrant le robinet de vidange (11) après chaque service.

Contrôlez le réservoir sous pression sur la présence de rouille ou d'endommagements avant chaque service. Il est interdit d'exploiter le compresseur avec un réservoir sous pression rouillé. Veuillez contacter l'atelier du service à la clientèle si vous constatez des endommagements.

### 8.3 Soupape de sécurité (10)

La soupape de sécurité est réglée sur la pression maximale autorisée du réservoir sous pression. Il n'est pas autorisé de dérégler la soupape de sécurité ni de retirer sa pompe. Pour assurer le fonctionnement correct de la soupape de sécurité en cas de besoin, l'actionner de temps à autre. Tirez la bague fortement pour entendre la sortie de l'air comprimé. Ensuite, relâchez la bague.

#### 8.4 Nettoyage du filtre d'aspiration (3)

Le filtre d'aspiration empêche l'aspiration de la poussière et des saletés. Il est nécessaire de nettoyer ce filtre au moins toutes les 300 heures de service. Un filtre d'aspiration obstrué réduit considérablement la performance du compresseur. Ouvrez les moitiés de boîtier du filtre à air. Soufflez toutes les pièces du filtre à l'air comprimé à basse pression (env. 3 bar (43,5 psi)) et assemblez ensuite le filtre dans l'ordre inverse. Pendant le nettoyage, veillez à une protection suffisante contre la poussière (p. ex., masque adapté).

#### 8.5 Stockage

##### **Avertissement !**

Retirez les batteries, purgez l'appareil et tous les outils pneumatiques raccordés. Débranchez le compresseur de manière à rendre impossible sa mise en service par des personnes non autorisées.

##### **Avertissement !**

**Conserver le compresseur uniquement dans un local sec et inaccessible aux personnes non-autorisées. Ne pas renverser, conserver uniquement debout !**

#### 8.6 Transport

- Transportez l'appareil uniquement par la poignée de transport.
- Protégez l'appareil des chocs et vibrations inattendus.

#### 8.7 Commande des pièces de rechange :

##### **Service**

1. **Si votre outil électrique doit être réparé, veuillez contacter un distributeur autorisé d'Einhell USA ou appeler le centre de service à la clientèle d'Einhell USA au numéro 1-866-EINHELL (1-866-346-4355).** Seules les pièces de rechange identiques doivent être utilisées pour les réparations. Cela permet de garantir la sécurité de l'outil électrique.
2. **Si le câble du chargeur est endommagé, il doit être immédiatement remplacé pour empêcher un accident.** Pour obtenir de l'assistance, veuillez contacter le centre de service à la clientèle d'Einhell USA® au numéro 1-866-EINHELL (1-866-346-4355).

## 9. Élimination et revalorisation

L'appareil se trouve dans un emballage pour empêcher les dommages dus au transport. Cet emballage constitue une matière première et peut par conséquent est réutilisé ou peut être recyclé. L'appareil et ses accessoires sont fabriqués à partir de différents produits, comme p. ex. le métal et les matières plastiques. Ne jetez pas les appareils défectueux dans les déchets ménagers. Pour être éliminé de façon appropriée, l'appareil devrait être déposé à un lieu de collecte approprié. Si vous ne connaissez aucun lieu de collecte, informez-vous auprès de l'administration municipale.

Une réimpression ou toute autre reproduction de la documentation et des documents accompagnant les produits, même par extraits, ne sont autorisées qu'avec accord exprès d'iSC GmbH.

Sous réserve des modifications techniques.

## 10. Causes de défaillance possibles

Problème	Cause	Solution
Le compresseur ne marche pas	<ol style="list-style-type: none"> <li>1. Pas d'alimentation électrique</li> <li>2. Température extérieure trop basse</li> <li>3. Moteur surchauffé</li> </ol>	<ol style="list-style-type: none"> <li>1. Vérifiez la batterie</li> <li>2. Ne pas exploiter à une température extérieure inférieure à 41°F (5°C).</li> <li>3. Laisser refroidir le moteur, le cas échéant, supprimer la cause de surchauffe.</li> </ol>
Le compresseur marche, mais il n'y a pas de pression	<ol style="list-style-type: none"> <li>1. Clapet anti-retour fuit</li> <li>2. Joints défectueux</li> <li>3. Robinet de vidange pour l'eau de condensation fuit.</li> </ol>	<ol style="list-style-type: none"> <li>1. Faire remplacer le clapet anti-retour par un atelier spécialisé.</li> <li>2. Vérifier les joints, faire remplacer les joints défectueux par un atelier spécialisé.</li> <li>3. Vérifier et remplacer, le cas échéant, le robinet de vidange.</li> </ol>
Le compresseur marche, la pression est affichée sur le manomètre, mais les outils ne marchent pas.	<ol style="list-style-type: none"> <li>1. Les raccords de tuyaux fuient.</li> <li>2. Raccord rapide fuit.</li> <li>3. Pression insuffisante réglée sur le régulateur de pression.</li> </ol>	<ol style="list-style-type: none"> <li>1. Vérifier et remplacer le cas échéant le tuyau d'air comprimé et les outils.</li> <li>2. Vérifier et remplacer, le cas échéant, le raccord rapide.</li> <li>3. Dévisser encore le régulateur de pression.</li> </ol>

Si l'appareil ne fonctionne pas malgré les mesures de dépannage et la présence de tension, veuillez contacter le service à la clientèle, voir le point 8.7.

# Einhell®

## PROMESSE D'EINHELL À SES CLIENTS

**LA QUALITÉ PRIME.** Le nom d'Einhell est synonyme des outils performants et de la fabrication européenne de haute qualité. Des perceuses sans fil aux tondeuses à gazon électriques, Einhell USA conçoit et développe des outils électriques et de jardinage à main de pointe pour les bricoleurs, jardiniers amateurs et réparateurs.

Les équipes d'assurance de la qualité et d'ingénieurs d'Einhell USA garantissent que les produits subissent de sévères tests de qualité et de performance. Nous savons que parfois les outils solides traversent les époques dures. Si jamais vous avez un problème avec votre produit, soyez sûr que nous ferons tout notre possible pour vous rendre un outil prêt à travailler aussi dur que vous.

### ENREGISTREMENT DU PRODUIT :

Einhell vous encourage vivement d'enregistrer votre achat. Vous pouvez enregistrer en ligne sur **EinhellUSA.com**. Si vous n'enregistrez pas le produit que vous avez acheté, cela n'affectera pas vos droits de garantie. Toutefois, si vous enregistrez votre achat, Einhell pourra mieux vous servir pour tous vos besoins de client.

### QU'EST-CE QUI EST COUVERT ?

Einhell garantit au propriétaire que si cet appareil a un problème pendant une période de 2 ans à partir de la date d'achat à cause d'un défaut de matériau ou de fabrication ou en raison de l'usure normale au cours d'un usage domestique normal, Einhell enverra une pièce ou un produit de rechange, au besoin, gratuitement et sans frais de port à l'acheteur initial. Si, à la seule discrétion d'Einhell, l'appareil défectueux ne peut pas être réparé avec une pièce, Einhell soit (A) enverra gratuitement et sans frais de port un nouvel appareil, soit (B) remboursera au propriétaire la totalité du prix d'achat.

### QUI PEUT SOLLICITER LA COUVERTURE DE GARANTIE ?

Cette garantie est consentie par Einhell au propriétaire de cet appareil (un « appareil » consiste en un produit alimenté par un moteur) pour un usage domestique personnel exclusivement. Cette garantie est limitée aux trente (30) jours à compter de l'achat initial de tout produit de marque EINHELL utilisé à des fins commerciales ou à d'autres fins lucratives. Si la propriété de cet appareil change pendant la période couverte, veuillez mettre à jour l'information relative au propriétaire de l'appareil sur **EinhellUSA.com**

### QU'EST-CE QUI N'EST PAS COUVERT ?

Cette garantie ne couvre pas les produits ayant fait l'objet d'un usage abusif ou négligent, d'un manque d'entretien, ayant été impliqués dans un accident ou employés d'une façon contraire au mode d'emploi, comme c'est spécifié dans le guide d'utilisation. Cette

garantie ne couvre pas les modifications superficielles n'affectant pas la performance.

Cette garantie n'est valable que si l'appareil est utilisé et entretenu conformément aux instructions, avertissements et mises en garde figurant dans le manuel du propriétaire. Einhell ne sera pas responsable du coût des réparations de garantie non autorisées. Cette garantie ne couvre pas les coûts et dépenses engagés par l'acheteur pour se procurer un équipement ou un service de substitution pendant les périodes raisonnables de dysfonctionnement ou de non-utilisation de ce produit dans l'attente d'une pièce ou d'une unité de rechange en vertu de cette garantie.

Les pièces d'usure, comme les courroies, les vis sans fin, les chaînes et les dents, ne sont pas couvertes par cette garantie et peuvent être achetées sur **EinhellUSA.com** ou en appelant au numéro **1-866-EINHELL (1-866-346-4355)**. Les batteries sont entièrement couvertes pendant 90 jours à partir de la date d'achat.

La réparation, le remplacement et le remboursement du prix d'achat sont les seuls moyens de l'acheteur et la seule responsabilité d'Einhell au titre de cette garantie. Les employés et les représentants d'Einhell ne sont pas autorisés à concéder une garantie supplémentaire ni à apporter une modification de cette garantie susceptible d'engager Einhell. Par conséquent, l'acheteur ne devrait pas se fier aux déclarations supplémentaires faites par un employé ou un représentant d'Einhell. En aucun cas, sur la base d'un contrat, d'une indemnisation, d'une garantie, d'un tort (y compris la négligence), d'une responsabilité sans faute, etc., Einhell ne sera responsable des dommages spécifiques, indirects, accessoires ou consécutifs, y compris mais sans s'y limiter la perte de bénéfices ou de revenus.

Certains États n'autorisent pas de limitations aux garanties. Dans tels États, les limitations ci-dessus pourraient ne pas s'appliquer à vous.

D'autres garanties peuvent s'appliquer en dehors des États-Unis et le Canada.





A series of horizontal lines for writing, starting with two lines that are slightly indented from the left margin, followed by a continuous series of lines extending across the page.



EH 11/2019 (01)