

Operating Instructions
Hand-Held Electric Planer



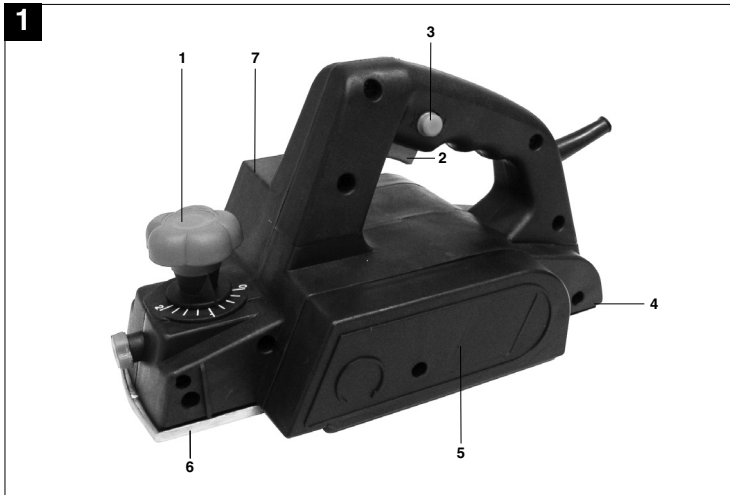
7

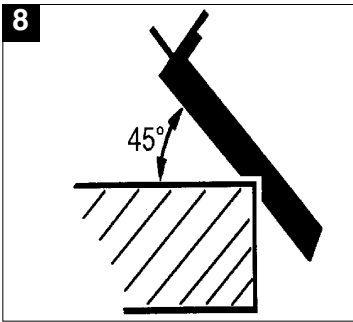
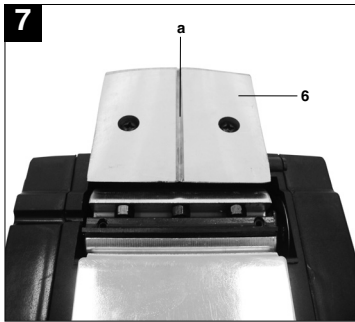
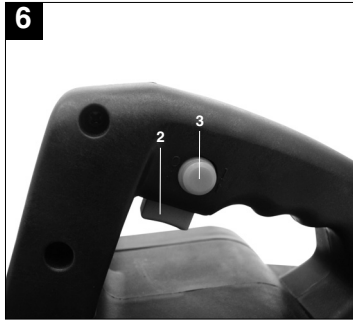
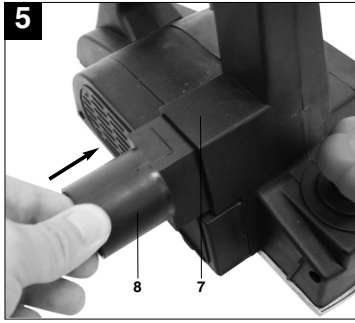
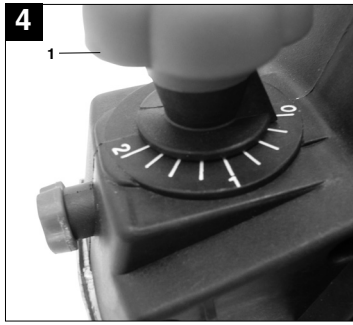
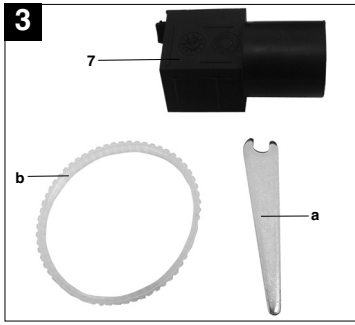


Art.-Nr.: 43.452.25

I.-Nr.: 11012

BPL 600





GB



"Caution - Read the operating instructions to reduce the risk of injury"



Wear ear-muffs.
The impact of noise can cause damage to hearing.



Wear a breathing mask.
Dust which is injurious to health can be generated when working on wood and other materials.
Never use the device to work on any materials containing asbestos!



Wear safety goggles.
Sparks generated during working or splinters, chips and dust emitted by the device can cause loss of sight.

⚠ Important!

When using equipment, a few safety precautions must be observed to avoid injuries and damage. Please read the complete operating manual with due care. Keep this manual in a safe place, so that the information is available at all times. If you give the equipment to any other person, give them these operating instructions as well. We accept no liability for damage or accidents which arise due to non-observance of these instructions and the safety information.

1. Safety information

Please refer to the booklet included in delivery for the safety instructions.

⚠ CAUTION!

Read all safety regulations and instructions.

Any errors made in following the safety regulations and instructions may result in an electric shock, fire and/or serious injury.

Keep all safety regulations and instructions in a safe place for future use.

2. Layout (Figs. 1/2/3)

1. Setting knob for the chip depth
2. ON/OFF switch
3. Safety lock-off
4. Rear base plate
5. Belt cover
6. Front base plate
7. Chip ejector
8. Adapter piece for chip extraction system


3. Proper use

The hand-held electric plane is designed for planing, rabbeting and chamfering pieces of wood.

The machine is to be used only for its prescribed purpose. Any other use is deemed to be a case of misuse. The user / operator and not the manufacturer will be liable for any damage or injuries of any kind caused as a result of this.

Please note that our equipment has not been designed for use in commercial, trade or industrial applications. Our warranty will be voided if the machine is used in commercial, trade or industrial businesses or for equivalent purposes.

4. Technical data

Mains voltage:	230 V ~ 50 Hz
Power input:	650 W
Idling speed:	16000 min ⁻¹
Chip depth:	0-2 mm
Plane width:	82 mm
Protection class:	II / 
Weight:	2.7 kg

Sound and vibration

Sound and vibration values were measured in accordance with EN 60745.

L _{pA} sound pressure level	85.3 dB(A)
K _{pA} uncertainty	3 dB
L _{WA} sound power level	96.3 dB(A)
K _{WA} uncertainty	3 dB

Wear ear-muffs.

The impact of noise can cause damage to hearing.

Total vibration values (vector sum of three directions) determined in accordance with EN 60745.

Vibration emission value a_h < 2.5 m/s²

K uncertainty = 1.5 m/s²

⚠ Important!

The vibration value changes according to the area of application of the electric tool and may exceed the specified value in exceptional circumstances.

5. Before starting the equipment

Before you connect the equipment to the mains supply make sure that the data on the rating plate are identical to the mains data.

Always pull the power plug before making adjustments to the equipment.

5.1 Adjusting the chip depth (Fig. 4/Item 1)

You can adjust the chip depth in steps of 0,25 mm from 0 to 2 mm by turning the setting knob for the chip depth (1).

Turn the setting knob for the chip depth (1) in a clockwise direction to set a greater chip depth. Greater chip depth

Turn the setting knob for the chip depth (1) in a counter-clockwise direction to set a lower chip depth. Lower chip depth

After finishing work, set the chip depth so that the knives are lowered and thus protected from damage. Turn the setting knob for the chip depth to position "0" for this purpose.

5.2 Chip extraction (Figure 5)

For optimum chip extraction connect the hand-held electric plane to a dust extraction system using the supplied adapter piece.

Slide the adapter piece into the chip ejector on the side of the hand-held electric plane. Now you can connect a suitable dust extraction system to the round connector of the adapter piece.

6. Operation

6.1 ON/OFF switch (Fig. 6)

- The hand-held electric plane comes with a safety switch which is designed to prevent accidents.
- To switch on the tool press the side safety lock-off (3) and press the button switch.
- Release the button switch (2) to switch off the electric plane. The button switch (2) jumps back into its starting position.

6.2 Practical tips

⚠ Important: Only ever bring the hand-held electric plane towards the workpiece while switched on.

6.2.1 Planing surfaces

Now adjust the desired chip depth. Equip the front base plate and place the hand-held electric plane onto the piece of wood you wish to plane. Then switch on the plane. Push to electric plane over the surface with both hands and make sure that the both the front and the rear base plate lie flat on the workpiece.

Used a low chip depth for finishing surfaces and complete several passes over the surface.

6.2.2 Chamfering edges (Fig. 7-8)

- There is a V-shaped groove (a) in the front base plate that enables you to plane edges at an angle of 45° for a smooth finish.
- Switch on the tool and wait until it reaches full speed. Place the V-shaped groove (a) on the edge of the workpiece at an angle of 45°.
- Now move the electric plane along the edge of the workpiece.
- To achieve a good quality result you should keep the feed speed and angle constant.

7. Replacing the power cable

If the power cable for this equipment is damaged, it must be replaced by the manufacturer or its after-sales service or similarly trained personnel to avoid danger.

8. Cleaning, maintenance and ordering of spare parts

Always pull out the mains power plug before starting any cleaning work.

8.1 Cleaning

- Keep all safety devices, air vents and the motor housing free of dirt and dust as far as possible. Wipe the equipment with a clean cloth or blow it with compressed air at low pressure.
- We recommend that you clean the device immediately each time you have finished using it.
- Clean the equipment regularly with a moist cloth and some soft soap. Do not use cleaning agents or solvents; these could attack the plastic parts of the equipment. Ensure that no water can seep into the device.

8.2 Carbon brushes

In case of excessive sparking, have the carbon brushes checked only by a qualified electrician. Important! The carbon brushes should not be replaced by anyone but a qualified electrician.

8.3. Changing the planing knives (Fig. 9-11)

⚠ Important: Always pull the plug out of the power socket before doing any work on the equipment.

To change the planing knives, use the supplied wrench (a).

The hand-held electric plane comes with two carbide metal reversible knives. Reversible knives have two cutting edges and can be reversed. The guide slot on the reversible knives ensures the same height setting after a change. Replace a worn, blunt or damaged knife.

Carbide metal reversible knives cannot be re-sharpened.

Undo the three hexagonal screws (c) using the wrench (a) supplied and push the carbide metal reversible knife out of the planing shaft using a piece of wood. (see Fig. 10).

Clean the knife seat before fitting. Install the knives in reverse order. Check that the planing knife conforms with both ends of the planing shaft. Always replace both knives to ensure a uniform chip depth.

⚠ Important: Before using the hand-held electric plane make sure the knives are installed securely and in the right place.

Check the correct setting (Fig. 11)

- (6) Front base plate (moving plane shoe)
- (4) Rear base plate (fixed plane shoe)

1. Correct adjustment

Result: Smooth planed surfaces

2. Notches in the surface

Problem: The cutting edge on the planing knife (or both planing knives) is not parallel to the height of the rear base plate.

3. Furrows at the start of the planed surface

Problem: The cutting edge on the planing knife (or both planing knives) is below the height of the rear base plate.

4. Furrows at the end of the planed surface

Problem: The cutting edge on the planing knife (or both planing knives) is above the height of the rear base plate.

8.4 Replacing the drive belt (Fig. 12-13)

- The belt should be replaced by a trained expert.
- The drive belt (b) must be replaced if it is worn.
- Undo the screws (a) and remove belt cover at the sides (5).
- Remove the worn belt drive (b) and clean the two belt pulleys (c/d).
- Place the new drive belt on the small belt pulley (c) and pull the belt onto the large belt pulley (d) whilst turning the planing shaft.
- Ensure that the longitudinal grooves on the drive belt are in the guide grooves on the drive wheels.
- Fit the belt cover (5) and secure it with the screws (a).

8.5 Maintenance

There are no parts inside the equipment which require additional maintenance.

8.6 Ordering replacement parts

Please quote the following data when ordering replacement parts:

- Type of machine
 - Article number of the machine
 - Identification number of the machine
 - Replacement part number of the part required
- For our latest prices and information please call 1300 922 271

9. Disposal and recycling

The unit is supplied in packaging to prevent its being damaged in transit. This packaging is raw material and can therefore be reused or can be returned to the raw material system.

The unit and its accessories are made of various types of material, such as metal and plastic. Defective components must be disposed of as special waste. Ask your dealer or your local council.

The guarantee provided in this Guarantee Certificate is given by Einhell Australia Pty Limited
ACN 134 632 858 of 6/166 Wellington Street, Collingwood, Victoria (Telephone number 1300 922 271)
(Einhell Express Guarantee).

GUARANTEE CERTIFICATE

Dear Customer,

All of our products undergo strict quality checks. In the unlikely event that your device develops a fault, please contact our service department at the address shown on this guarantee certificate. Of course, if you would prefer to call us then we are also happy to offer our assistance under the service number printed below. Please note the following terms under which claims under the Einhell Express Guarantee can be made:

1. The benefits conferred by the Einhell Express Guarantee are in addition to all rights and remedies which you may be entitled to under the Australian Consumer Law, and any other statutory rights you may have under other applicable laws. This Einhell Express Guarantee does not exclude, restrict or modify any such rights or remedies.
We do not charge you for the Einhell Express Guarantee.
2. Our goods come with guarantees that cannot be excluded under the Australian Consumer Law. You are entitled to a replacement or refund for a major failure and for compensation for any other reasonably foreseeable loss or damage. You are also entitled to have the goods repaired or replaced if the goods fail to be of acceptable quality and the failure does not amount to a major failure.
3. The Einhell Express Guarantee only covers problems caused by material or manufacturing defects, and our liability under the Einhell Express Guarantee is limited, at our discretion, to the rectification of these defects or replacement of the product. Please note that the product has not been designed for use in commercial, trade or industrial applications. Consequently, the Einhell Express Guarantee will not apply if the product is used in commercial, trade or industrial applications or for other equivalent activities.
4. The following are also excluded from the Einhell Express Guarantee: compensation for transport damage, damage caused by failure to comply with the installation/assembly instructions or damage caused by unprofessional installation, failure to comply with the operating instructions (e.g. connection to the wrong mains voltage or current type), misuse or inappropriate use (such as overloading of the product or use of non-approved tools or accessories), failure to comply with the maintenance and safety regulations, ingress of foreign bodies into the product (e.g. sand, stones or dust), effects of force or external influences (e.g. damage caused by the product being dropped) and normal wear resulting from proper operation of the product. The Einhell Express Guarantee will also not apply if any attempt is made to tamper with the product.
5. The Einhell Express Guarantee is valid for a period of 2 years starting from the purchase date of the product. Claims made under the Einhell Express Guarantee should be submitted before the end of this guarantee period and within two weeks of the defect being noticed. No claims under the Einhell Express Guarantee will be accepted if submitted after the end of this guarantee period. The original guarantee period remains applicable to the device even if repairs are carried out or parts are replaced. In such cases, the work performed or parts fitted will not result in an extension of the guarantee period for the Einhell Express Guarantee, and the Einhell Express Guarantee will not apply for the work performed or parts fitted. This also applies when an on-site service is used.
6. To make a claim under the Einhell Express Guarantee, please send the relevant product postage-free to the address shown below and enclose either the original or a copy of your sales receipt or another dated proof of purchase. It would help us if you could describe the nature of the problem in as much detail as possible. If the defect is covered by the Einhell Express Guarantee, your product will be repaired immediately and returned to you, or we will send you a new device (at our election).

Any costs incurred by you in making a claim under this Einhell Express Guarantee, unless specified otherwise in this guarantee certificate, must be borne by you.

Of course, we are also happy to offer a chargeable repair service for any defects which are not covered by the scope of the Einhell Express Guarantee or for products which are no longer covered by the Einhell Express Guarantee. To take advantage of this service, please send the product to our service address.

EINHELL AUSTRALIA PTY LTD
6/166 Wellington Street
Collingwood VIC 3066
Australia
Phone: 1300 922 271

EH 08/2012 (01)