

GB

**Operating Instructions
Cordless Grass and Hedge Shears**

Einhell®

7

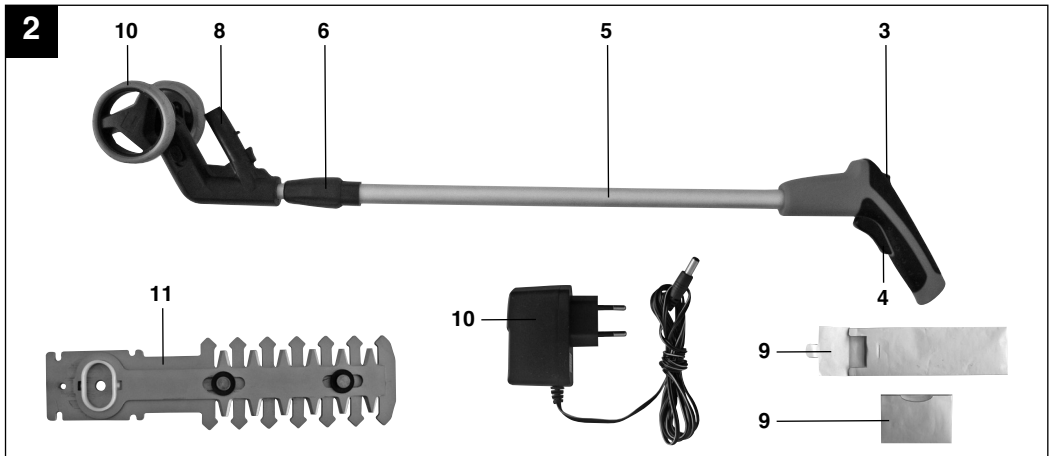
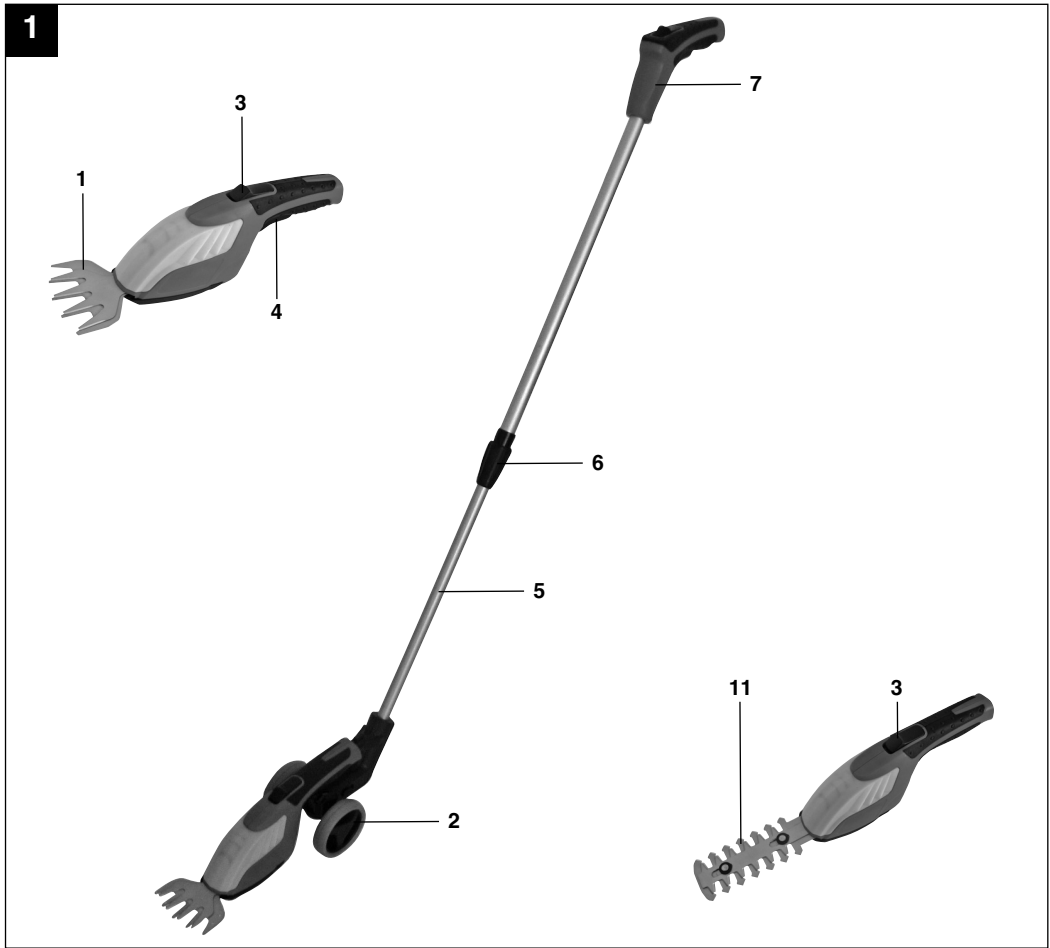
Art.-Nr.: 34.104.34

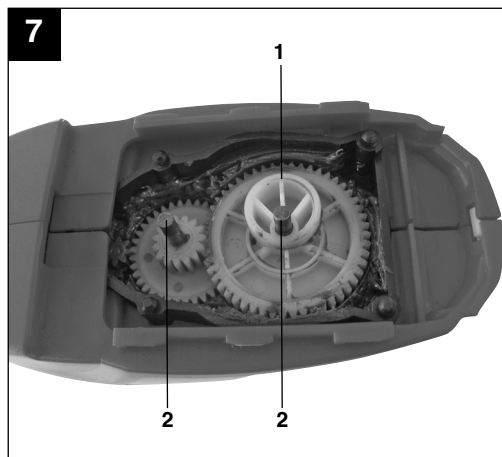
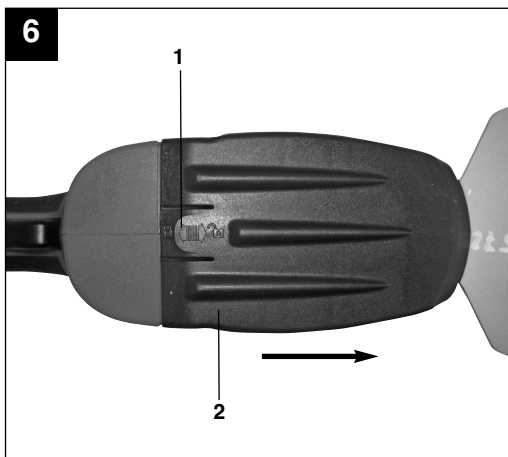
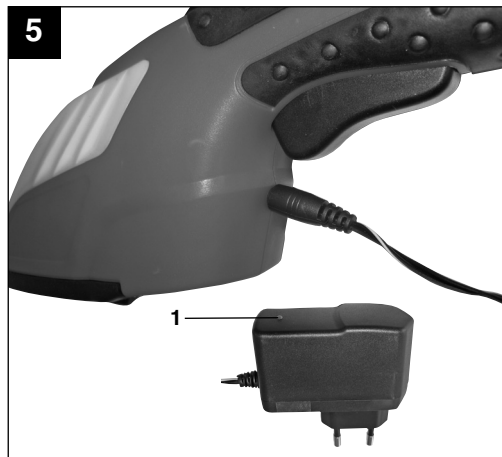
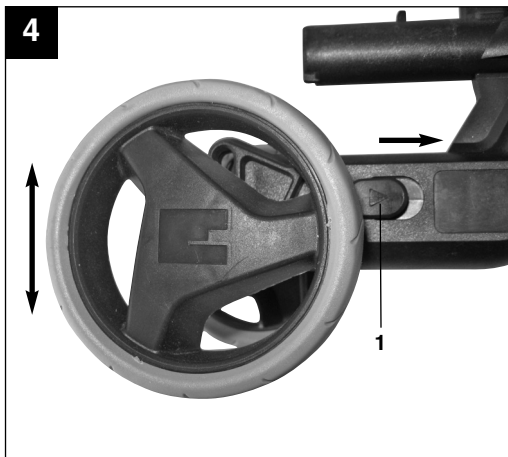
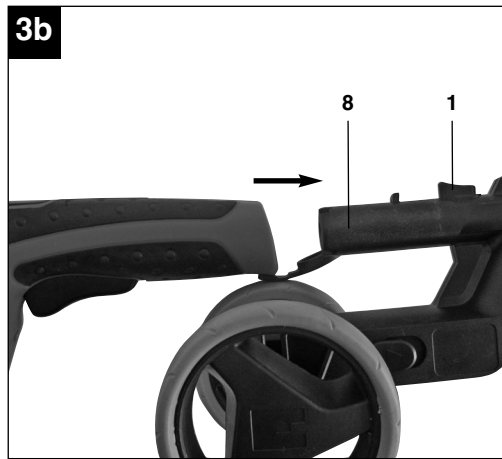
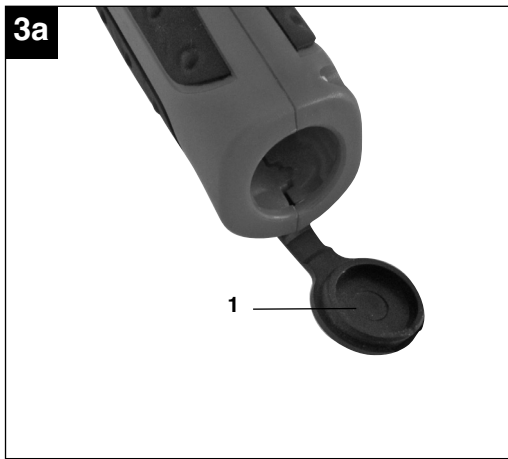
I.-Nr.: 11011

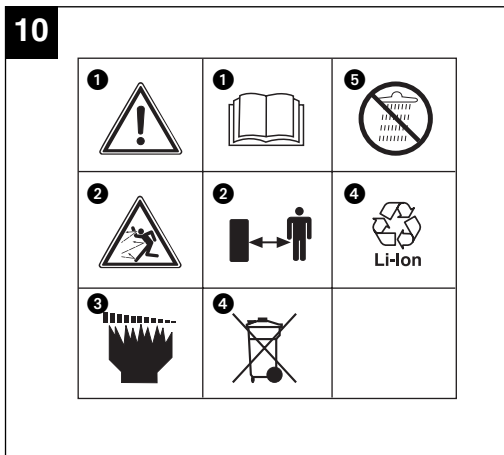
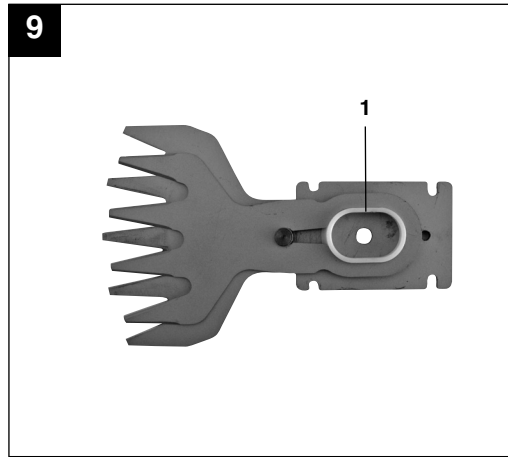
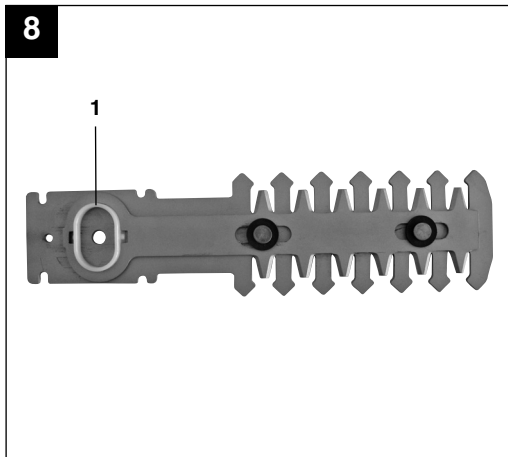
RG-CG 7.2 Li



Ⓞ Read and follow the operating instructions and safety information before using for the first time.







GB**⚠ Important!**

When using equipment, a few safety precautions must be observed to avoid injuries and damage. Please read the complete operating manual with due care. Keep this manual in a safe place, so that the information is available at all times. If you give the equipment to any other person, give them these operating instructions as well. We accept no liability for damage or accidents which arise due to non-observance of these instructions and the safety information.

1. Safety information

Please refer to the booklet included in delivery for the safety instructions.

⚠ CAUTION!**Read all safety regulations and instructions.**

Any errors made in following the safety regulations and instructions may result in an electric shock, fire and/or serious injury.

Keep all safety regulations and instructions in a safe place for future use.**Explanation of the warning signs on the machine (Figure 10)**

1. Important! Read the operating instructions and follow the warnings and safety instructions
2. Keep all other persons away from the danger zone.
3. Caution! The cutter blades continue to run after the motor is switched off. Wait for the blades to come to a standstill.
Risk of injury!
4. Dispose of batteries correctly!
5. Protect the tool from the damp and never expose it to rain.

2. Layout (Fig. 1/2)

- 1 Grass cutter blade
- 2 Wheels
- 3 Safety lock-off
- 4 ON button
- 5 Telescopic long handle
- 6 Clamp coupling for telescopic long handle
- 7 Handle grip
- 8 Mount
- 9 Blade guard
- 10 Battery charger
- 11 Shrub cutter blade

3. Proper use

The equipment is designed for cutting the edges of lawns and small areas of grass in private and hobby gardens.

Tools for private and hobby gardens are not suitable for use in public facilities, parks and sport centers, along roadways, on farms or in the forestry sector. For the tool to be used properly it is imperative to follow the instructions set out in the manufacturer's directions for use.

Important! It is prohibited to use the tool to chop material for composting because of the potential danger to persons and property.

The machine is to be used only for its prescribed purpose. Any other use is deemed to be a case of misuse. The user / operator and not the manufacturer will be liable for any damage or injuries of any kind caused as a result of this.

Please note that our equipment has not been designed for use in commercial, trade or industrial applications. Our warranty will be voided if the machine is used in commercial, trade or industrial businesses or for equivalent purposes.

4. Technical data

Speed n_0 :	1000 rpm
Cutting width of the grass cutter:	85 mm
Cutting width of the shrub shears	120 mm
Cutting thickness of the shrub shears	8 mm
Running time max.:	45 min
Battery pack:	Li-Ion / 7.2 V d. c. / 1.4 Ah
Charging time:	3-5 h
Protection class:	III
L_{pA} sound pressure level:	59.5 dB
L_{WA} sound power level:	82 dB
Vibration a_{hV} grass shears:	$\leq 2.5 \text{ m/s}^2$
Vibration a_{hV} shrub shears:	$\leq 2.5 \text{ m/s}^2$
Weight:	1.5 kg

Battery charger

Mains voltage	230 V ~ 50 Hz
---------------	---------------

Output

Rated voltage	8.2 V DC
Rated current:	500 mA

Sound and vibration were measured in accordance with EN ISO 3744.

5. Before starting

5.1 Charging the battery pack (Figure 1, 5)

- Connect the charger to the charging station (Figure 5).
- Check that your mains voltage is the same as that marked on the rating plate of the battery charger. Plug the battery charger in a socket-outlet. The green LED (Figure 5 / Item 1) comes on to indicate that charging voltage is available.
- The battery pack is being charged. An empty battery pack requires a maximum charging period of 3 to 5 hours. The temperature of the battery pack may rise slightly during the charging operation. This is normal.
- As soon as battery pack is fully charged, the red LED (Fig. 5/Item 1) extinguishes

If the rechargeable battery fails to charge, check whether there is voltage at the socket outlet.

Timely recharging of the battery pack will help it serve you well for a long time. Recharging is always necessary when you notice a drop in the tool's performance.

Never allow the battery pack to become fully discharged. This will cause it to develop a defect.

5.2. Fitting the long handle

Using the telescopic long handle (Fig. 1/Item 5) you can push the cordless shears on wheels over the lawn.

Undo the clamp coupling (Fig. 1/Item 6), adjust the telescopic handle to the required length and then re-tighten the clamp coupling again. Now push the equipment in the direction indicated by the arrow into the mount (Fig. 3b/Item 8) as shown in Figure 3b. Ensure that the mount locks into the recesses correctly. The equipment is provided with one recess at the top for standard cutting and two recesses on the left and right for cutting edges.

Important!

The switching arrangements installed on the tool by the manufacturer must not be removed or bypassed, e.g. by fitting a switching button to the handle, as this may result in risk of injury and the tool will no longer switch off automatically.

6. Operation

The area to be cut must first be cleared of stones and other solid objects. The safety lock-off (Fig. 1/Item 3) prevents the tool being started unintentionally. Activate the safety lock-off (Figure 1 / Item 3) by pushing it forward and pressing the ON/OFF switch (Figure 1 Item 4) at the same time. To switch off the tool, let go of the ON/OFF switch (Figure 1 / Item 4).

GB**6.1 Cutting grass**

Allow the grass cutter to glide above the ground. The best results are achieved when the lawn is dry. When you notice a drop in cutting performance, re-charge the tool immediately so that the battery does not become fully discharged.

6.2 Trimming hedges

The tool can be used to trim small hedges and shrubs.

Hold the tool slightly tilted in relation to the hedge you want to cut.

First cut the sides from the bottom up, then cut the top.

Watch out for foreign objects in or on the hedge which could damage the blades.

When is the best time to trim hedges?

- As a general rule, hedges which lose their leaves in the autumn should be trimmed in June and October.
- Hedges which do not lose their leaves should be cut in April and August.

6.3. Changing the blades**Important! Risk of injury!**

To remove the blades press the lug (Fig. 6/Item 1) and push off the cover (Fig. 6/Item 2) in direction of the arrow.

Once you have removed the blade you will be able to see the toothed wheels of the gear unit (Fig. 7). Make sure that no dirt gets into the gear unit when you change the blade. To assemble, proceed in reverse order.

When you fit the hedge cutter blade, check the position of the pin for the eccentric connector (Fig. 7/Item 1). Take the hedge cutter blade and slide the eccentric mount (Fig. 8/Item 1) into position so that the pin for the eccentric connector and the eccentric mount fit together precisely when assembled. Slot the hedge cutter blade onto the guide pins (Fig. 7/Item 2).

When you fit the grass cutter blade, check the position of the pin for the eccentric connector (Fig. 7/Item 1) again.

Shift the eccentric mount (Fig. 9/Item 1) on the grass cutter blade to the left or the right to find the position at which the pin for the eccentric connector (Fig. 7/Item 1) and the eccentric mount (Fig. 9/Item 1) match up.

6.4. Height adjustment of the mount

To adjust the cutting height, press the release backwards (Figure 4/Item 1). Now you can move the wheels to the top or bottom position (Fig. 4). The release engages again automatically at the fixed position when activated.

7. Cleaning, maintenance and ordering of spare parts**7.1 Cleaning**

- Keep all safety devices, air vents and the motor housing free of dirt and dust as far as possible. Wipe the equipment with a clean cloth or blow it with compressed air at low pressure.
- We recommend that you clean the device immediately each time you have finished using it.
- Clean the equipment regularly with a moist cloth and some soft soap. Do not use cleaning agents or solvents; these could attack the plastic parts of the equipment. Ensure that no water can seep into the device.
- A few drops of oil (e.g. sewing machine oil) will improve the cutting performance of the blades, but never apply any grease to the blades. To ensure constant exact cutting it is also important to remove grass remnants and dirt from between the upper and lower blade.

Important!

Never clean the tool under running water - and particularly never with high pressure - because of the potential danger to persons and property. Keep your cordless grass cutter and hedge trimmer in a dry and frost-proof place. Choose a place that children are unable to enter.

7.2 Maintenance

- To achieve good results you should keep the blades sharp at all times. In particular we recommend that you immediately level off any jags or ridges caused by stones or the like. The tool should be thoroughly cleaned both before and after use.
- There are no parts inside the equipment which require additional maintenance.

7.3 Ordering replacement parts:

Please quote the following data when ordering replacement parts:

- Type of machine
- Article number of the machine
- Identification number of the machine
- Replacement part number of the part required

For our latest prices and information please go to www.einhell.com.au

8. Disposal and recycling

The unit is supplied in packaging to prevent its being damaged in transit. This packaging is raw material and can therefore be reused or can be returned to the raw material system.

The unit and its accessories are made of various types of material, such as metal and plastic.

Defective components must be disposed of as special waste. Ask your dealer or your local council.

The guarantee provided in this Guarantee Certificate is given by Einhell Australia Pty Limited
ACN 134 632 858 of 6/166 Wellington Street, Collingwood, Victoria (Telephone number 1300 922 271)
(Einhell Express Guarantee).

GUARANTEE CERTIFICATE

Dear Customer,

All of our products undergo strict quality checks. In the unlikely event that your device develops a fault, please contact our service department at the address shown on this guarantee certificate. Of course, if you would prefer to call us then we are also happy to offer our assistance under the service number printed below. Please note the following terms under which claims under the Einhell Express Guarantee can be made:

1. The benefits conferred by the Einhell Express Guarantee are in addition to all rights and remedies which you may be entitled to under the Australian Consumer Law, and any other statutory rights you may have under other applicable laws. This Einhell Express Guarantee does not exclude, restrict or modify any such rights or remedies.

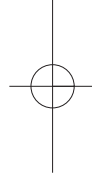
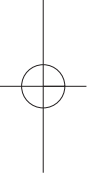
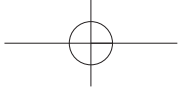
We do not charge you for the Einhell Express Guarantee.

2. Our goods come with guarantees that cannot be excluded under the Australian Consumer Law. You are entitled to a replacement or refund for a major failure and for compensation for any other reasonably foreseeable loss or damage. You are also entitled to have the goods repaired or replaced if the goods fail to be of acceptable quality and the failure does not amount to a major failure.
3. The Einhell Express Guarantee only covers problems caused by material or manufacturing defects, and our liability under the Einhell Express Guarantee is limited, at our discretion, to the rectification of these defects or replacement of the product. Please note that the product has not been designed for use in commercial, trade or industrial applications. Consequently, the Einhell Express Guarantee will not apply if the product is used in commercial, trade or industrial applications or for other equivalent activities.
4. The following are also excluded from the Einhell Express Guarantee: compensation for transport damage, damage caused by failure to comply with the installation/assembly instructions or damage caused by unprofessional installation, failure to comply with the operating instructions (e.g. connection to the wrong mains voltage or current type), misuse or inappropriate use (such as overloading of the product or use of non-approved tools or accessories), failure to comply with the maintenance and safety regulations, ingress of foreign bodies into the product (e.g. sand, stones or dust), effects of force or external influences (e.g. damage caused by the product being dropped) and normal wear resulting from proper operation of the product. The Einhell Express Guarantee will also not apply if any attempt is made to tamper with the product.
5. The Einhell Express Guarantee is valid for a period of 2 years starting from the purchase date of the product. Claims made under the Einhell Express Guarantee should be submitted before the end of this guarantee period and within two weeks of the defect being noticed. No claims under the Einhell Express Guarantee will be accepted if submitted after the end of this guarantee period. The original guarantee period remains applicable to the device even if repairs are carried out or parts are replaced. In such cases, the work performed or parts fitted will not result in an extension of the guarantee period for the Einhell Express Guarantee, and the Einhell Express Guarantee will not apply for the work performed or parts fitted. This also applies when an on-site service is used.
6. To make a claim under the Einhell Express Guarantee, please send the relevant product postage-free to the address shown below and enclose either the original or a copy of your sales receipt or another dated proof of purchase. It would help us if you could describe the nature of the problem in as much detail as possible. If the defect is covered by the Einhell Express Guarantee, your product will be repaired immediately and returned to you, or we will send you a new device (at our election).

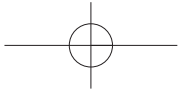
Any costs incurred by you in making a claim under this Einhell Express Guarantee, unless specified otherwise in this guarantee certificate, must be borne by you.

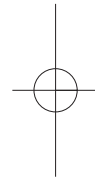
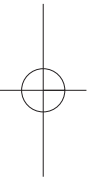
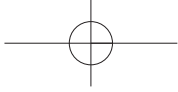
Of course, we are also happy to offer a chargeable repair service for any defects which are not covered by the scope of the Einhell Express Guarantee or for products which are no longer covered by the Einhell Express Guarantee. To take advantage of this service, please send the product to our service address.

EINHELL AUSTRALIA PTY LTD
6/166 Wellington Street
Collingwood VIC 3066
Australia
Phone: 1300 922 271



EH 04/2012 (02)





EH 04/2012 (02)

