

**Einhell®**

**GE-LC 18 Li T**

**EN** Original operating instructions  
Cordless Telescoping Pole Chain  
Saw

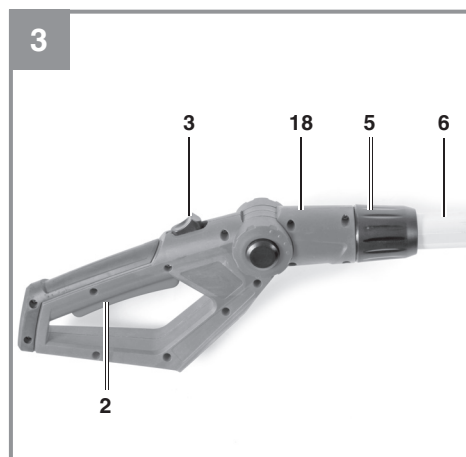
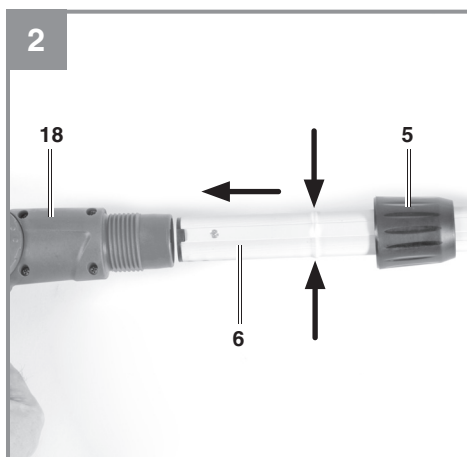
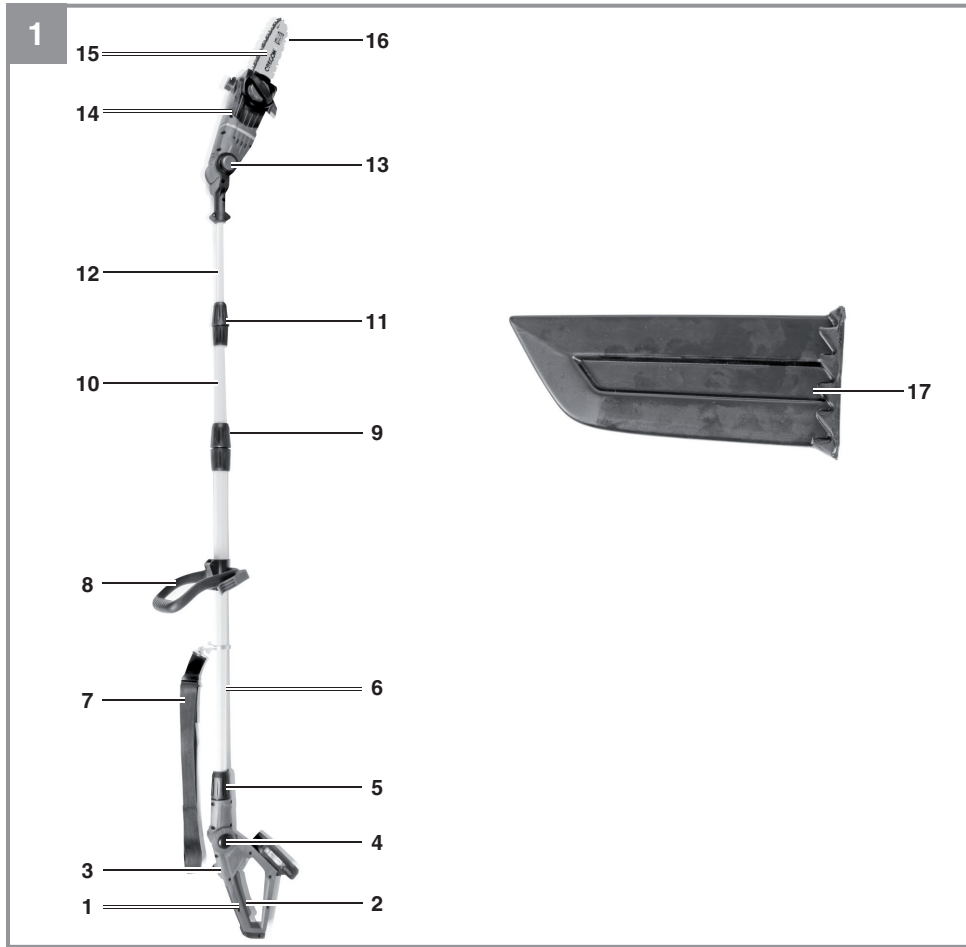
**SP** Manual de instrucciones original  
Motosierra inalámbrica de altura

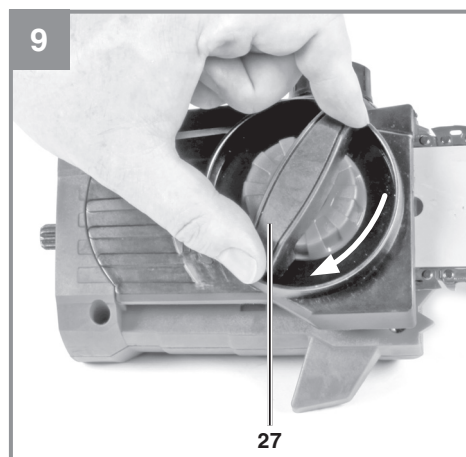
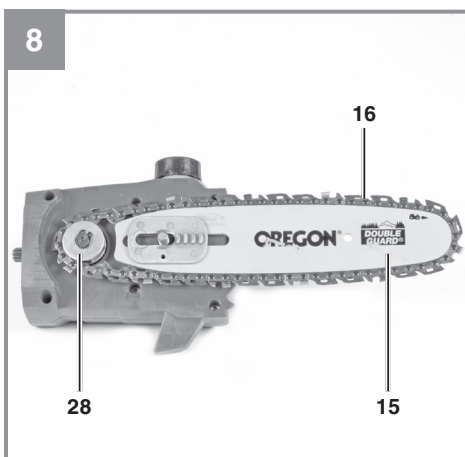
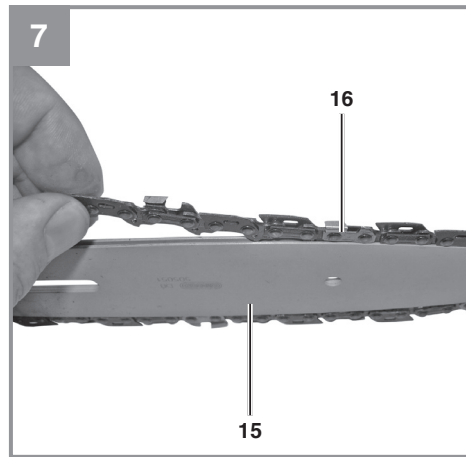
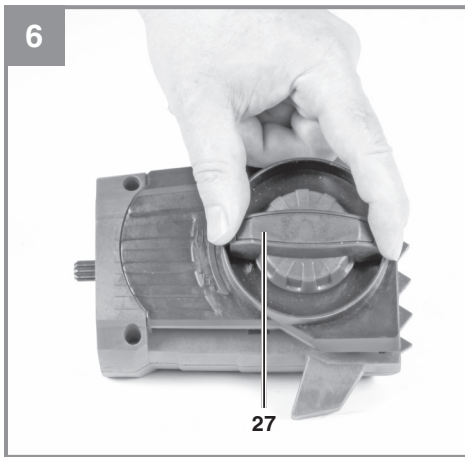
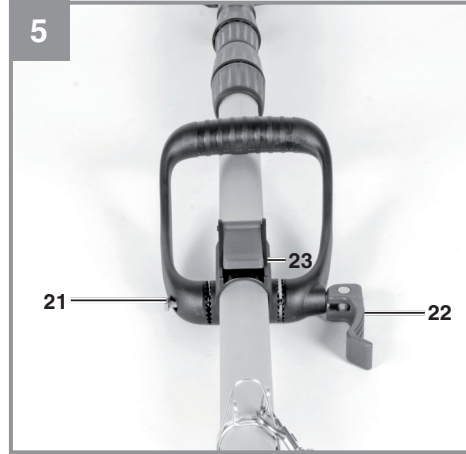
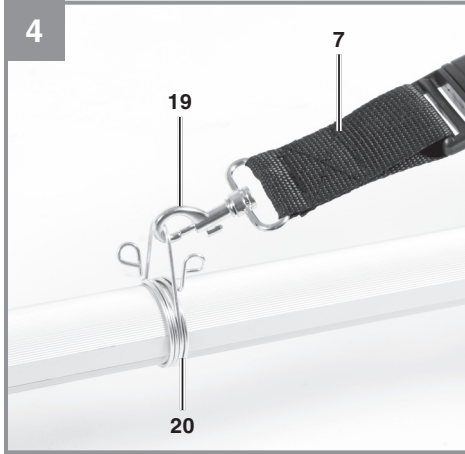
**FR** Traduction du mode d'emploi  
d'origine  
Scie à chaîne à manche  
télescopique sans cordon

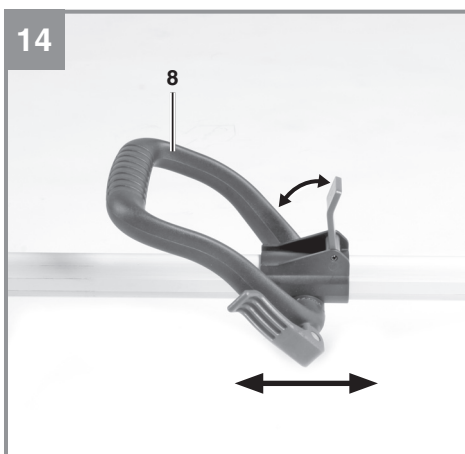
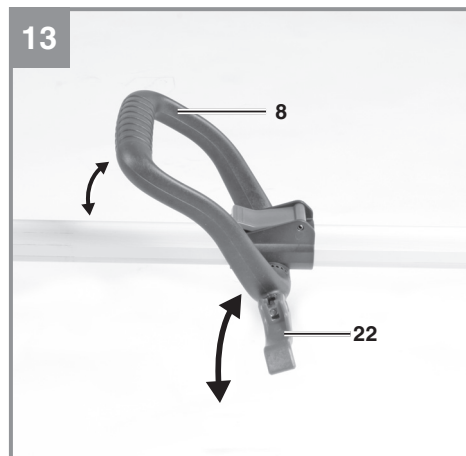
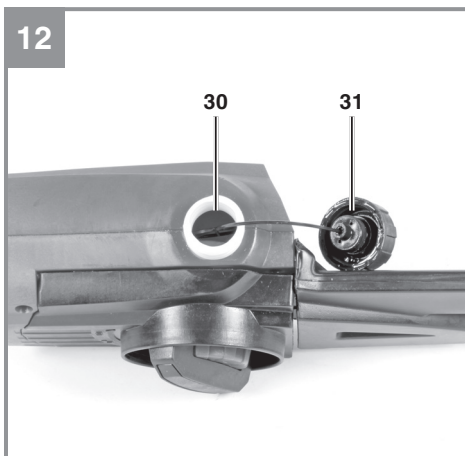
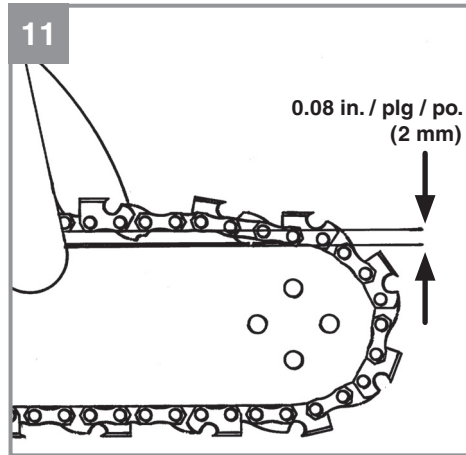
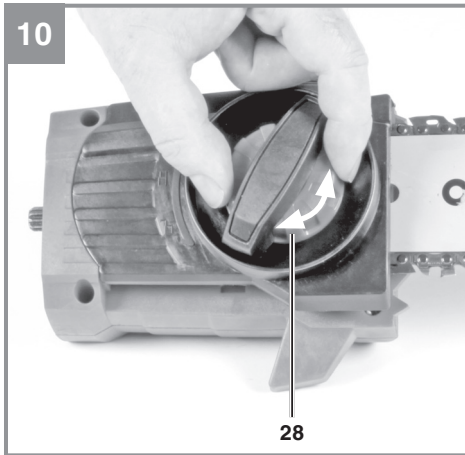


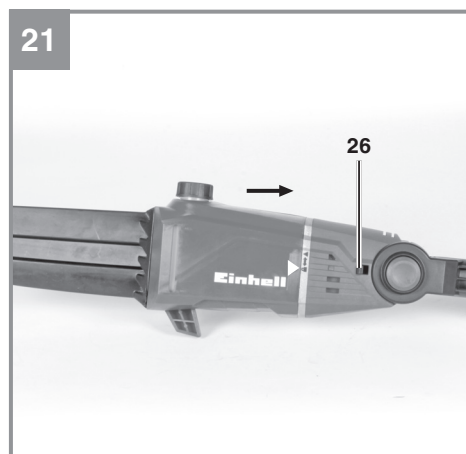
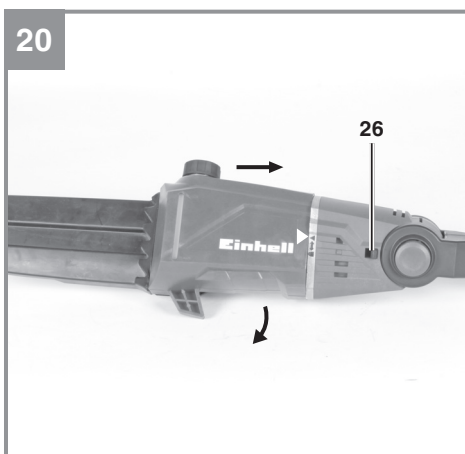
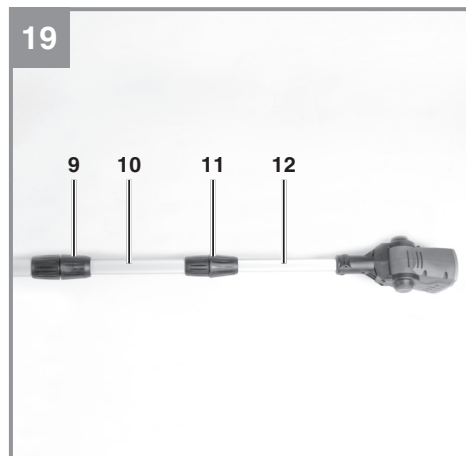
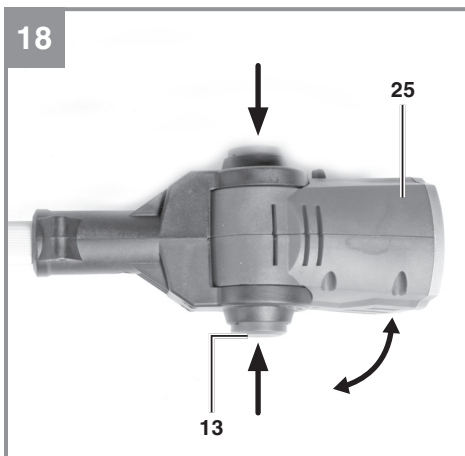
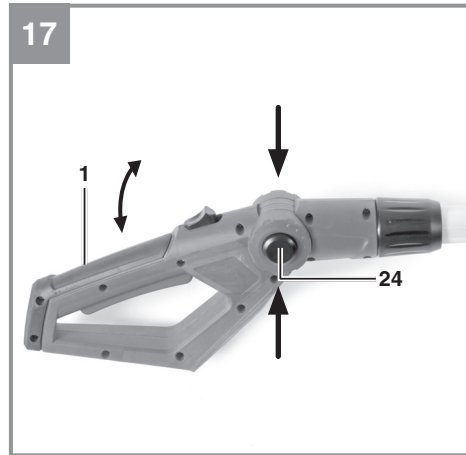
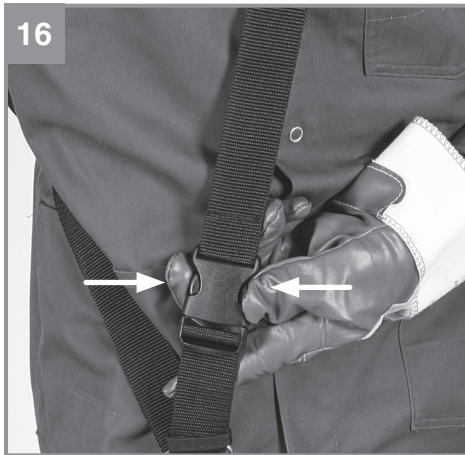
**Art.-Nr.: 3410787**

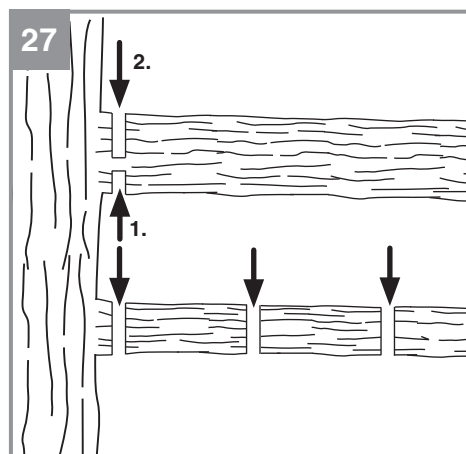
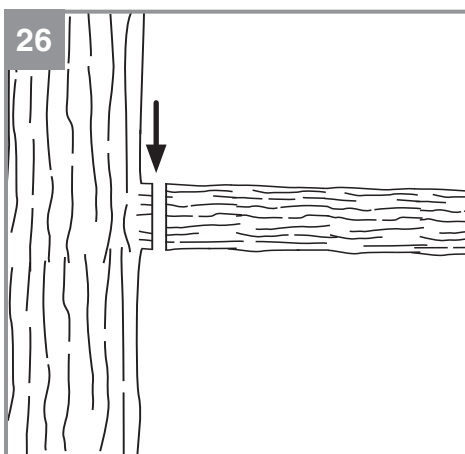
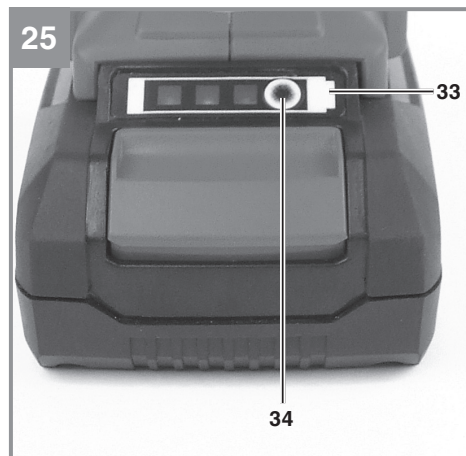
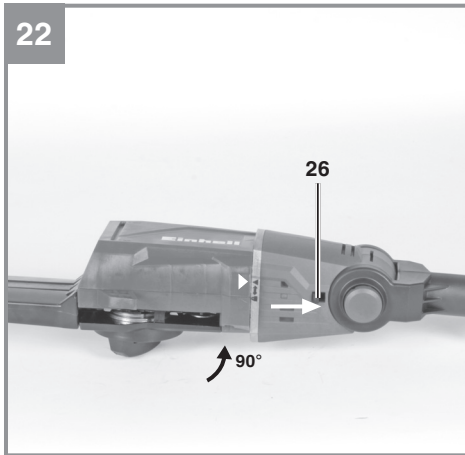
**I.-Nr.: 11018**

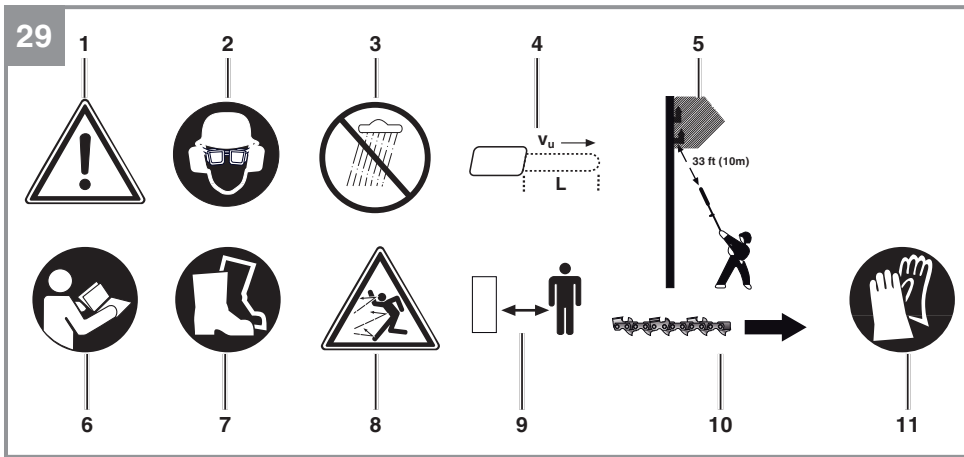
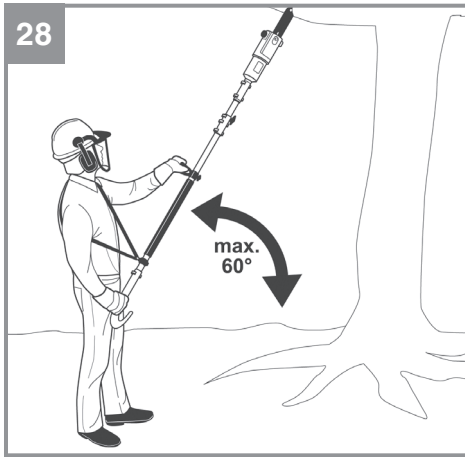












**Table of contents**

1. Safety information
2. Layout and items supplied
3. Intended use
4. Technical data
5. Before starting the equipment
6. Operation
7. Working with the chainsaw mounting kit
8. Cleaning, maintenance and ordering spare parts
9. Disposal and recycling
10. Storage
11. Troubleshooting guide



**DANGER!**

When using the equipment, a number of safety precautions must be observed to avoid injuries and damage. Please read the complete operating instructions and safety information with due care. Keep these operating instructions in a safe place so that the information is available at all times. If you give the equipment to any other person, hand over these operating instructions and the safety information as well. We cannot accept any liability for damage or accidents which arise due to failure to follow these instructions and the safety information.

## 1. Safety information

### Read All Instructions

**WARNING:** When using electric gardening appliances, basic safety precautions should always be followed to reduce the risk of fire, electric shock, and personal injury, including the following:

### FOR ALL APPLIANCES

- Avoid dangerous environments - do not use appliances in damp or wet locations.
- Don't use in rain.
- Keep children away - all people and pets should be kept at a distance from the work area.
- Dress properly - do not wear loose clothing or jewelry. They can be caught in moving parts. Wear protective clothing; use of work gloves, long pants, a long sleeved shirt and safety footwear is recommended when working outdoors. Wear protective hair covering to contain long hair.
- Use safety glasses - always use face or dust mask if the area in which you are working is dusty. The purpose of the safety rules is to attract your attention to possible dangers. The safety symbols and the explanations with them, require your careful attention and understanding. The safety warnings do not by themselves eliminate any danger. The instruction or warnings they give are not substitutes for proper accident prevention measures.
- Use right appliance - do not use appliance for any job except that for which it is intended.
- Do not force appliance - it will do the job better and with less likelihood of a risk of injury at the rate for which it was designed.
- Do not overreach - keep proper footing and balance at all times.
- Stay alert. Use common sense. Do not operate appliance when you are tired or under the influence of drugs, alcohol or medication.
- When not in use, appliances should be stored indoors in dry places out of reach of children.
- Maintain appliance with care. Follow instructions for lubricating and changing accessories. Keep handles dry, clean, and free from oil and grease.
- Check damaged parts. Before using the appliance, make sure the safety guards are intact. Never use a tool without its safety guard. Check the alignment of the moving parts, the binding of the moving parts.
- Check for broken or defective parts that can affect the safe operation of your tool. A guard or other part that is damaged should be properly repaired or replaced by an authorized service centre unless indicated elsewhere in this manual.
- Recharge only with the charger specified by the manufacturer. A charger that is suitable for one type of battery pack may create a risk of fire when used with another battery pack.
- Use appliances only with specifically designated battery packs. Use of any other battery packs may create a risk of injury and fire.
- When battery pack is not in use, keep it away from other metal objects, like paper clips, coins, keys, nails, screws or other small metal objects, that can make a connection from one terminal to another. Shorting the battery terminals together may cause burns or a fire.
- Under abusive conditions, liquid may be ejected from the battery; avoid contact. If contact accidentally occurs, flush with water. If liquid contacts eyes, additionally seek medical help. Liquid ejected from the battery may cause irritation or burns. (This advice is considered correct for conventional NiMh, NiCd, lead acid and lithium-ion cell types. If this advice is incorrect for a cell design that differs from these, then the correct advice may be substituted.)
- Do not use a battery pack or appliance that is damaged or modified. Damaged or modified batteries may exhibit unpredictable behavior resulting in fire, explosion or risk of injury.
- Follow all charging instructions and do not charge the battery pack or appliance outside of the temperature range specified

in the instructions. Charging improperly or at temperatures outside of the specified range may damage the battery and increase the risk of fire.

- Have servicing performed by a qualified repair person using only identical replacement parts. This will ensure that the safety of the product is maintained.
- Do not modify or attempt to repair the appliance or the battery pack (as applicable) except as indicated in the instructions for use and care.

#### 1. FOR ALL BATTERY-OPERATED GARDENING APPLIANCES:

- Do not charge appliance in rain, or in wet locations.
- Do not use battery-operated appliances in the rain. Always remove or disconnect battery pack before adjusting, cleaning, servicing or transporting the garden appliances.

#### 2. FOR ALL BATTERY-OPERATED PRODUCTS EMPLOYING A DETACHABLE OR SEPARABLE BATTERY:

- Use only the following type and size battery:  
18V 1.5Ah P-X-C lithium-ion battery  
18V 2.0Ah P-X-C lithium-ion battery  
18V 2.6Ah P-X-C Plus lithium-ion battery  
18V 3.0Ah P-X-C lithium-ion battery  
18V 4.0Ah P-X-C lithium-ion battery  
18V 5.2Ah P-X-C Plus lithium-ion battery
- Do not dispose of the battery in a fire. The cell may explode. Check with local codes for possible special disposal instructions.
- Do not open or mutilate the battery. Released electrolyte is corrosive and may cause damage to the eyes or skin. It may be toxic if swallowed.
- Exercise care in handling the battery in order not to short it with conducting materials such as rings, bracelets, and keys. The battery or conductor may overheat and cause burns.

#### 3. AVOID UNINTENTIONAL STARTING – DO NOT INSERT BATTERY WHILE YOUR FINGER IS ON THE SWITCH. BE SURE SWITCH IS OFF WHEN INSERTING THE BATTERY.

#### GENERAL SAFETY WARNINGS FOR THE BATTERY PACK

- Dispose of used battery promptly and properly. When disposing of secondary cells or batteries, keep cells or batteries of different electrochemical systems separate from each other.
- Keep battery out of reach of children and in original package until ready to use.
- Never put batteries in one's mouth. If swallowed, contact local poison control centre immediately.
- CAUTION – The battery used in this device may present a risk of fire or chemical burn if mishandled. Replace battery with Einhell/lawn master brand only. Use of another battery may present a risk of fire or explosion.
- WARNING: Do not use a visibly damaged battery pack or appliance.
- WARNING: Do not modify or attempt to repair the appliance or the battery pack.
- **BATTERIES MUST BE RECYCLED.**
- Do not short-circuit a cell or battery. Do not store cells or batteries haphazardly in a box or drawer where they may shortcircuit each other or be short-circuited by conductive materials.
- Do not subject cells or batteries to mechanical shocks.
- Keep cells and batteries clean and dry. Wipe the cell or battery terminals with a clean dry cloth if they become dirty.
- Do not maintain secondary cells and batteries on charge when not in use.
- Retain the original cell and battery. Do not use any charger other than that specifically provided for use with the equipment. Secondary cells and batteries need to be charged before use. Always use the correct charger and refer to the manufacturer's instructions or equipment manual for proper charging instructions.
- When possible, remove the battery from the equipment when not in use.
- Prevent unintentional starting. Ensure the switch is in the off-position before connecting to the battery pack, picking up or carrying the appliance. Carrying the appliance with your finger on the switch or energizing appliances that have the switch on invites accidents.
- Disconnect the battery pack from the appliance before making any adjustments, changing accessories, or storing appliance. Such preventive safety measures reduce the risk of starting the appliance accidentally.

- Under abusive conditions, liquid may be ejected from the battery; avoid contact. If contact accidentally occurs, flush with water. If liquid contacts eyes, additionally seek medical help. Liquid ejected from the battery may cause irritation or burns.
- Have servicing performed by a qualified repair person using only identical replacement parts. This will ensure that the safety of the product is maintained.
- **Protect your rechargeable battery against moisture, rain and high humidity.** Moisture, rain and high humidity can cause dangerous cell damage. Never charge or work with batteries which have been exposed to moisture, rain or high humidity – replace them immediately.

#### IMPORTANT SAFETY INSTRUCTIONS FOR CHARGER

**WARNING:** This product may contain lead, phthalate or other chemicals known to the State of California to cause cancer, birth defects and other reproductive harm. Please wash your hands after use.

#### Pole pruners safety warnings

- 1) Keep all parts of the body away from the saw chain. Do not remove cut material or hold material to be cut when blades are moving. Make sure the switch is off when clearing jammed material. Saw chain continues to move after the switch is turned off. A moment of inattention while operating the extended-reach pruner may result in serious personal injury.
- 2) Carry the extended-reach pruner by the handle with the saw chain stopped. When transporting or storing the extended-reach pruner, always fit the saw chain device cover. Proper handling of the extended-reach pruner will reduce possible personal injury from the saw chain.
- 3) Hold the extended-reach pruner by insulated gripping surfaces only, because the saw chain may contact hidden wiring or its own cord. A saw chain contacting a "live" wire may make exposed metal parts of the extended-reach pruner "live" and could give the operator an electric shock.  
Exception: "or its own cord" maybe omitted for battery-operated appliances.
- 4) Do not use the extended-reach pruner in bad weather conditions, especially when there is a risk of lightning. This decreases the risk of

- 5) being struck by lightning.
- 5) To reduce the risk of electrocution, never use near any electrical power lines. Contact with or use near power lines may cause serious injury or electric shock resulting in death.
- 6) Always use two hands when operating the extended-reach pruner. Hold the extended-reach pruner with both hands to avoid loss of control.
- 7) Always use head protection when operating the extended-reach pruner overhead. Falling debris can result in serious personal injury.

This equipment is not intended to be used by persons (including children) with reduced physical, sensory or mental capacities or those with a lack of experience and/or knowledge unless they are supervised by a person who is responsible for their safety or they have received instructions from such a person in how to use the equipment safely. Children must always be supervised in order to ensure that they do not play with the equipment.

#### Explanation of the symbols on the equipment (Fig. 29):

1. Warning!
2. Wear safety goggles, a face guard and ear protection.
3. Protect the equipment from rain and damp.
4. Maximum cutting length of the pole-mounted pruner
5. Electric shock can cause fatal injury. Keep a distance of at least 33 ft (10 m) from power cables.
6. Read the directions for use before operating the equipment.
7. Wear sturdy, non-slip footwear.
8. Watch out for falling and catapulting parts.
9. Keep your distance.
10. Direction of the chain movement and teeth of the pole-mounted pruner
11. Wear safety gloves.

#### SAVE THESE INSTRUCTIONS

## 2. Layout and items supplied

### 2.1 Layout

1. Grip
2. On/Off switch
3. Safety lock-off
4. Safety lock-off for the handle angle adjuster
5. Assembly nut
6. Tube
7. Shoulder strap with safety release
8. Additional handle
9. Telescoping tube 1 lock nut
10. Telescoping tube 1
11. Telescoping tube 2 lock nut
12. Telescoping tube 2 with motor housing
13. Safety lock-off for the motor housing angle adjuster
14. Chain saw mounting kit
15. Cutter rail
16. Saw chain
17. Cutter guard
18. Handle housing
19. Carabiner
20. Strap attachment with metal loops
21. Hex screw
22. Lock
23. Handle attachment
24. Safety lock-offs
25. Motor housing
26. Lock button
27. Fastening screw
28. Sprocket wheel
29. Chain tensioning screw
30. Tank
31. Oil tank cap
32. Pushlock button
33. Battery capacity indicator
34. Battery capacity indicator button

### 2.2 Items supplied

Please check that the article is complete as specified in the scope of delivery. If parts are missing, please contact our service center or the store where you made your purchase at the latest within 5 work days after purchasing the article and upon presentation of a valid bill of purchase.

- Open the packaging and take out the equipment with care.
- Remove the packaging material and any packaging and/or transportation braces (if present).
- Check to see if all the items are supplied.
- Inspect the equipment and accessories for transport damage.

- If possible, keep the packaging until the end of the guarantee period.

### Danger!

**The equipment and packaging material are not toys. Do not let children play with plastic bags, plastic sheets and small parts. There is a risk of choking and suffocating!**

- Complete handle
- Complete tube with motor unit
- Shoulder strap with safety release
- Chain saw mounting kit
- Cutter rail
- Saw chain
- Cutter guard
- Original operating instruction with safety information

### Separately available accessories

- 18V 1.5Ah P-X-C lithium-ion battery
- 18V 2.0Ah P-X-C lithium-ion battery
- 18V 2.6Ah P-X-C Plus lithium-ion battery
- 18V 3.0Ah P-X-C lithium-ion battery
- 18V 4.0Ah P-X-C lithium-ion battery
- 18V 5.2Ah P-X-C Plus lithium-ion battery
- 18V P-X-C Dual Port Fast Charger
- 18V P-X-C Fast Charger

Explore battery + charger options at [einhellUSA.com](http://einhellUSA.com)

## 3. Intended use

### Pole-operated pruner (chainsaw with telescoping handle)

The chain saw mounting kit is allowed to be used only on the supplied motor head.


The chainsaw with telescoping handle is designed for lopping off tree branches. It is not suitable for extensive sawing work, felling trees or sawing any materials other than wood.

The equipment is allowed to be used only for its prescribed purpose. Any other use is deemed to be a case of misuse. The user/operator and not the manufacturer will be liable for any damage or injuries of any kind resulting from such misuse.

Please note that our equipment has not been designed for use in commercial, trade or industrial applications. Our warranty will be voided if the equipment is used in commercial, trade or

industrial businesses or for equivalent purposes.

## 4. Technical data

Motor power supply: ..... 18 V   
 Cutting thickness max: ..... 6.7 in. (17 cm)  
 Bar chain length: ..... 8 in. (20.3 cm)  
 Chain pitch: ..... 3/8 (9.5 mm), 33 teeth  
 Chain thickness: ..... 0.050 in. (1.3 mm)  
 Saw chain: ..... Oregon 91P033X  
 Cutter rail: ..... Oregon 080NDEA041  
 Cutting speed  
 out rated rpm: ..... 12.34 ft/sec. (3.76 m/s)  
 Telescoping shaft: ..... 6 ft to 9 ft (1.83 m to 2.77 m)  
 Oil tank capacity: ..... 4.23 fl oz (125 ml)  
 Multi-angle head: ..... -60°, -40°, -20°, 0°, 20°, 40°, 60°  
 Multi-angle main handle: ..... -40°, -20°, 0°, 20°  
 Weight (Tool only): ..... 8.8 lbs (4 kg)

### Reduce noise generation and vibration to a minimum!

- Use only equipment that is in perfect condition.
- Maintain and clean the equipment regularly.
- Adapt your way of working to the equipment.
- Do not overload the equipment.
- Have the equipment checked if necessary.
- Switch off the equipment when not in use.
- Wear gloves.

## 5. Before starting the equipment

**Caution!** Do not fit the battery until the equipment has been fully assembled and all the settings have been actuated. Always wear protective gloves when working on the equipment to protect yourself against injury. Carefully unpack all parts and check that they are complete (Fig. 1).

### 5.1 General information on assembly

- Fig. 2-3: Push the tube (6) onto the handle housing (18) as far as the mark and screw it tight with the assembly nut (5).
- Fig. 4: Hook the carabiner (19) of the shoulder strap (7) into the strap attachment (20).
- Fig. 5: The additional handle (8) consists of the hexagon screw (21) and lock (22). It is fitted to the handle attachment (23) as illustrated. Push the hexagon screw (21) into the additional handle and screw it tight to the

lock (22).

## 5.2 Fitting the chain saw mounting kit (for use as a pole-operated pruner)

### 5.2.a Assembly of the cutter rail and the saw chain

- Undo the fastening screw (27) of the chain wheel cover (Fig. 6).
- Take off the chain wheel cover.
- Lay the chain as shown in the groove which runs around the cutter rail (Fig. 7).
- Insert the cutter rail and chain as shown in the mounting in the chainsaw (Fig. 8). At the same time guide the chain around the sprocket wheel (Fig. 8/ Item 28).
- Attach the chain wheel cover and fasten it hand-tight with the fastening screw (Fig. 9/ Item 27).

Do not fully tighten the fastening screw until after you have adjusted the chain tension (see section 5.2.b.).

### 5.2.b Tensioning the saw chain

**Caution!** Always remove the battery from the device before inspection and adjustment. Always wear protective gloves when working on the chainsaw to protect yourself against injury.

- Undo the fastening screw (27) of the chain wheel cover a few turns (Fig. 6).
- Adjust the chain tension with the chain tensioning screw (Fig. 10/Item 28). Turning the screw clockwise increases the chain tension, turning it counter-clockwise decreases the chain tension. The saw chain is correctly tensioned if it can be lifted approx. 0.08 in. (2 mm) in the middle of the cutter rail (Fig. 11).
- Tighten the fastening screw (27) of the chain wheel cover (Fig. 9).

**Important!** All the chain links must lie properly in the guide groove of the cutter rail.

### Notes on tensioning the chain:

The chain must be properly tensioned to ensure safe operation. When the saw chain can be raised by around 0.08 in. (2 mm) in the middle of the cutter rail, you know that the chain tension is ideal. During cutting, the temperature of the chain rises and its length changes. It is important therefore to check the chain tension at least every 10 minutes and to adjust it again as required. This applies in particular to new saw chains. When you have finished working, slacken the chain again as it will shorten when it cools down. This will help to

prevent damage to the chain.

### 5.2.c Saw chain lubrication

**Caution!** Always remove the battery from the device before inspection and adjustment. Always wear protective gloves when working on the chainsaw to protect yourself against injury.

**Important!** Never operate the chain if it is not lubricated with saw chain oil. Use of the chainsaw without saw chain oil or if the oil level is below the viewing window will result in damage to the chainsaw!

**Important!** Be aware of the temperature conditions:  
Different lubricants with completely different viscosities are required at different ambient temperatures. At lower temperatures you will need low viscosity oils in order to achieve a sufficient lubricating film. However, if the same low viscosity oil is used during the summer it will become even thinner due to the ambient temperatures alone, and as a result the lubricating film could break down, causing the chain to overheat and become damaged. In addition, the chain oil would burn and produce unnecessary pollutants.

#### Filling the oil tank (Fig. 12):

- Place the chainsaw on a flat surface.
- Clean the area around the oil tank cap (Fig. 12/Item 31) and then open the oil tank cap.
- Fill the tank (Fig. 12/Item 30) with saw chain oil. In the process, make sure that no dirt enters the tank, as this could cause the oil nozzle to become blocked.
- Close the oil tank cap (Fig. 12/Item 31).

After the chain saw mounting kit has been fitted and when the equipment is not being used, slip the cutter rail guard (Fig. 1/Item 17) over the mounted cutter rail with saw chain in order to prevent injuries.

### 5.3 Adjusting the additional handle (Fig. 13-14)

#### a) Setting the tilt of the additional handle

Open the lock (22). Set the desired tilt of the additional handle (8). Close the lock.

#### b) Shifting the additional handle

Open the lock and slide the additional handle (8) into the required position. Close the lock.

### 5.4 Using the shoulder strap

**Warning!** Always use the shoulder strap when working with the equipment. Switch off the equipment before you take off the shoulder strap (Otherwise there is a risk of injury.)

1. Hook the carabiner (Fig. 4/Item A) into the strap attachment (20).
2. Slip the shoulder strap (Fig. 15/Item 7) over your shoulder.
3. Adjust the length of the shoulder strap so that the strap attachment is at waist level (Fig. 15).
4. The shoulder strap is equipped with a buckle. Press the hooks together (Fig. 16) if you need to put down the equipment quickly.
5. To change the strap position on the equipment, press together the two metal loops on the strap attachment (Fig. 4/Item 20) and adjust the strap attachment on the tube.

### 5.5. Adjusting the angle of the handle (Fig. 17)

Press the two safety lock-offs (24) and adjust the angle of the handle (1) to any of 4 latching positions.

### 5.6. Adjusting the angle of the motor housing (Fig. 18)

Press the two safety lock-offs (24) and adjust the angle of the motor housing (25) to any of the 7 latching positions.

### 5.7 Adjusting the telescoping tube (Fig. 19)

1. Undo the telescoping tube lock nuts (9 + 11) by turning them counter-clockwise.
2. Pull out the telescoping tubes (10 + 12) to suit the required working height.
3. Secure the telescoping tube lock nuts (9 + 11) by them turning clockwise.

### 5.8 Fitting the chain saw mounting kit to the motor head (Fig. 20 – 21)

The cutter rail guard must be slipped over the mounted cutter rail with saw chain in order to prevent injuries.

1. Position the chain saw mounting kit and the motor head such that the arrows on both parts coincide.
2. Press the chain saw mounting kit against the motor head. This will cause the lock button (26) to be pushed to the right. Turn the chain saw mounting kit clockwise. The chain saw mounting kit will lock onto the motor head and is then secured in place. This will cause the lock button (26) to be pushed to the left.

### 5.9 Turning the chain saw mounting kit through 90° on the motor head (Fig. 22)

The cutter rail guard must be slipped over the mounted cutter rail with saw chain in order to prevent injuries.

1. Pull the lock button (26) to the right.
2. Turn the chain saw mounting kit 90° counter-clockwise. The chain saw mounting kit will lock onto the motor head and is then secured in place.

### 5.10 Removing the chain saw mounting kit from the motor head (Fig. 20 – 21)

The cutter rail guard must be slipped over the mounted cutter rail with saw chain in order to prevent injuries.

1. Pull the lock button (26) to the right.
2. Turn the chain saw mounting kit to the point where the arrows on the motor head and chain saw mounting kit coincide, allowing the mounting kit to be removed.

### 5.11 Fitting the battery (Fig. 23 – 24)

Press the side pushlock button (32) of the battery pack as shown in Fig. 23 and push the battery pack into the mount provided. When the battery pack is positioned as in Fig. 24, make sure that the pushlock button latches in place! To remove the battery pack, proceed in reverse order.

## 6. Operation

Please note that the statutory regulations governing noise abatement may differ from one location to another.

Caution! Always use the shoulder strap when working with the equipment. Always switch off the equipment before you take off the shoulder strap. (Otherwise there is a risk of injury.)

Put on the shoulder strap as described above, fit the required mounting kit and adjust the equipment to suit your needs.

### Switching on/off

#### Switching on

- Hold the equipment by the handles with both hands (thumbs under the additional handle).
- Slide the safety lock-off (Fig. 3/Item 3) to the front and hold.
- Switch on the equipment with the On/Off switch (Fig. 3/Item 2). You can then release

the safety lock-off.

### Switching off

Release the On/Off switch (Fig. 3/Item 2).

### 6.1 Charging the Li battery pack

The corresponding instructions can be found in the original operating instructions for your charger.

### 6.2 Battery capacity indicator (Fig. 25 / item 33)

Press the battery capacity indicator switch (34). The battery capacity indicator (33) shows the charge status of the battery using 3 LEDs.

#### All 3 LEDs lit:

The battery is fully charged.

#### 2 or 1 LED(s) lit:

The battery has an adequate remaining charge.

#### 1 LED flashing:

The battery is empty, recharge the battery.

#### All LEDs flashing:

The battery pack has been deep-discharged and is defective. Do not re-use or charge a defective battery pack.

## 7. Working with the chainsaw mounting kit

### Preparations

To ensure that you can work safely, check the following points before every use and in the event of any damage:

#### Condition of the chainsaw

Inspect the chainsaw before the start of work for damage to the housing, the power cable, the saw chain and the cutter rail. Never use a chainsaw which is obviously damaged.

#### Oil container

Level of oil in the oil container: Both before and during your work make sure that there is always sufficient oil in the system. To avoid damaging the chainsaw, never run the saw if there is no oil in the system or if the oil drops below the "min" mark. On average, a single filling will last around 20 minutes depending on the number of pauses in cutting and the loads involved.

**Saw chain**

Tension of the chain, condition of the cutting elements: The sharper the chain, the easier and more controllable it is to operate the chainsaw. The same also applies to the chain tension. For greater safety you must check the chain tension before your work and at least every 10 minutes during your work. New chains in particular tend to expand more.

**Safety clothing**

Always wear appropriate tight-fitting safety clothing such as special trousers which protect against cuts, protective gloves and safety shoes.

**Hearing protection and protective goggles**

Wear a protective helmet with integral face and hearing protection. This will offer protection against falling branches and recoiling branches.

**Safe working**

- To ensure that you can work in safety you must use the equipment at a working angle of max. 60°.
- Never stand under the branch you want to saw.
- Use special caution when working with branches under tension and splintering wood.
- Possible risk of injury caused by falling branches and catapulting pieces of wood.
- When the equipment is in operation, keep other persons and animals away from the danger zone.
- The equipment is not protected from electric shock through contact with high-voltage cables. Keep a minimum distance of 33 ft (10 m) from live cables. Electric shock can cause fatal injury.
- When working on slopes always stand to the upper or left or right side of the branch you want to cut.
- Hold the equipment as close as possible to your body. This will help you to keep your balance.

**Cutting techniques**

- When removing branches, hold the equipment at an angle of max. 60° to the horizontal to avoid being hit by a falling branch (Fig. 28).
- Start with the bottom branches on the tree. This will make it easier for the cut branches to drop.
- After completing a cut, the weight of the saw will abruptly increase for the operator as the

saw is no longer supported by the branch. This can result in you losing control over the saw.

- Remove the saw from the cut only with the saw chain still running. This will prevent the saw from getting jammed.
- Never cut with the tip of the saw.
- Never cut into the bulging branch collar. This will prevent the tree from healing.

**Sawing off smaller branches (Fig. 26):**

Place the contact surface of the saw onto the branch. This will prevent the saw from making jerky movements when you begin a cut. Exerting slight pressure, guide the saw from the top to the bottom through the branch.

**Sawing off large and long branches (Fig. 27):**

Carry out a relief cut when working on large branches.

Start by sawing through 1/3 of the branch diameter from the top to the bottom with the top side of the cutter rail (Fig. 27/Point 1). Then saw towards the first cut from the top to the bottom with the bottom side of the cutter rail (Fig. 27/Point 2).

Saw off long branches in several steps to keep control over the impact location.

**Kickback**

The term "kickback" describes what happens when the running chainsaw suddenly kicks upward and backward. Usually this is caused by contact between the tip of the cutter rail and the workpiece or by the saw chain becoming trapped. In the event of kickback, large forces occur suddenly and violently. As a result, the chainsaw usually reacts uncontrollably. This can often result in very serious injuries to the worker or persons in the vicinity. The risk of kickback is at its greatest when the saw is positioned for a cut in the region of the tip of the cutter rail, as the leverage effect is greatest there. It is therefore safest to position the saw as flat as possible.

**Danger!**

- Make sure that the chain tension is always correctly adjusted.
- Only use a chainsaw if it is in perfect working order.
- Only work with a saw chain that has been properly sharpened in accordance with the instructions.
- Never cut with the upper edge or the tip of the cutter rail.



- Always hold the chainsaw firmly with both hands.

#### **Cutting wood which is under tension**

Special care is required when cutting wood which is under tension. Cutting wood which is under tension can release the tension, causing the wood to react out of control. In the worst case this can result in severe and even fatal injuries. This type of work must be performed only by specially trained persons.

## **8. Cleaning, maintenance and ordering spare parts**

### **HAZARD!**

Remove the battery pack before doing any cleaning and maintenance work.

### **8.1 Cleaning**

- Regularly clean the tensioning mechanism by blowing it out with compressed air or cleaning it with a brush. Do not use any tools for cleaning.
- Keep the handles free of oil so that you can maintain a firm grip.
- If you are not going to use the chainsaw for an extended period of time, remove the chain oil from the tank. Briefly immerse the saw chain and the cutter rail into an oil bath and then wrap them in oil paper.
- Never immerse the equipment in water or other liquids in order to clean it.
- Use a brush to remove deposits from the safety guards.
- Keep all safety devices, air vents and the motor housing free of dirt and dust as far as possible. Wipe the equipment with a clean cloth or blow it down with compressed air at low pressure.
- We recommend cleaning the equipment immediately each time after use.
- Clean the equipment regularly with a damp cloth and some soft soap. Do not use cleaning agents or solvents; these may be aggressive to the plastic parts in the equipment. Ensure that no water can get into the interior of the equipment. The ingress of water into an electric power tool increases the risk of an electric shock.

## **8.2 Maintenance**

### **8.2.1 Chainsaw mounting kit**

#### **Replacing the chain and cutter rail**

The cutter rail needs to be replaced if the guide groove of the cutter rail is worn. Proceed as described in the section "Assembly of the cutter rail and the saw chain".

#### **Checking the automatic chain lubrication**

You should check the operation of the automatic chain lubrication system on a regular basis in order to guard against overheating and the damage this can cause to the cutter rail and the chain. Point the tip of the cutter rail at a smooth surface (a board or a cut tree face) and allow the chainsaw to run. If you see a growing oil stain on the smooth surface, the automatic chain lubrication system is working properly. If no clear oil trace is evident then please refer to the corresponding instructions in "Troubleshooting". If the information contained there still fails to remedy the situation, please contact our service department or another similarly qualified workshop.

**Important!** Do not actually touch the surface with the tip of the cutter rail when performing this test. Keep a safe distance of approx. 7.9 in. (20 cm).

#### **Sharpening the chain**

Working effectively with the chainsaw is only possible if the chain is in good condition and sharp. This also reduces the risk of kickback. The chain can be re-sharpened by any dealer. Do not attempt to sharpen the chain yourself unless you have the necessary special tools and experience.

### **8.3 Ordering replacement parts: Service**

1. **If your power tool requires service, contact an authorized Einhell USA dealer or call the Einhell USA customer service center at 1-866-EINHELL (1-866-346-4355).** Only identical replacement parts should be utilized for repairs. This will ensure that the safety of the power tool is maintained.
2. **If the battery charger cable is damaged, it must be immediately replaced to avoid a hazard.** Contact the Einhell USA® customer service center at 1-866-EINHELL (1-866-346-4355) for assistance.

## 9. Disposal and recycling

The equipment is supplied in packaging to prevent it from being damaged in transit. The raw materials in this packaging can be reused or recycled. The equipment and its accessories are made of various types of material, such as metal and plastic. Never place defective equipment in your household refuse. The equipment should be taken to a suitable collection center for proper disposal. If you do not know the whereabouts of such a collection point, you should ask in your local council offices.

## 10. Storage

Store the equipment and its accessories out of children's reach in a dark and dry place at above freezing temperature. The ideal storage temperature is between 41°F and 86°F (5°C and 30°C). Keep the electric tool in its original packaging.

The reprinting or reproduction by any other means, in whole or in part, of documentation and papers accompanying the products is strictly subject to the express consent of Einhell Germany AG.

Subject to technical changes

## 11. Troubleshooting guide

### Danger!

Before troubleshooting, switch off the equipment and remove the battery.

The table below contains a list of fault symptoms and explains what you can do to remedy the problem if your equipment fails to work properly. If the problem still persists after working through the list, please contact your nearest service workshop.

Problem	Possible cause	Remedy
The equipment does not work	<ul style="list-style-type: none"> <li>- Battery empty</li> <li>- Battery is not correctly inserted</li> </ul>	<ul style="list-style-type: none"> <li>- Charge battery</li> <li>- Remove battery and insert again</li> </ul>
Equipment operates intermittently	<ul style="list-style-type: none"> <li>- Loose connection (external)</li> <li>- Loose connection (internal)</li> <li>- ON/OFF switch defective</li> </ul>	<ul style="list-style-type: none"> <li>- Consult a specialist workshop.</li> <li>- Consult a specialist workshop.</li> <li>- Consult a specialist workshop.</li> </ul>
Saw chain is dry	<ul style="list-style-type: none"> <li>- No oil in the tank</li> <li>- Vent in the oil tank cap is blocked</li> <li>- Oil outlet is blocked</li> </ul>	<ul style="list-style-type: none"> <li>- Top up with oil</li> <li>- Clean the oil tank cap</li> <li>- Clear the oil outlet</li> </ul>
Chain/guide bar is hot	<ul style="list-style-type: none"> <li>- No oil in the tank</li> <li>- Vent in the oil tank cap is blocked</li> <li>- Oil outlet is blocked</li> <li>- Chain is blunt</li> <li>- Chain is overtensioned</li> </ul>	<ul style="list-style-type: none"> <li>- Top up with oil</li> <li>- Clean the oil tank cap</li> <li>- Clear the oil outlet</li> <li>- Re-sharpen or replace the chain</li> <li>- Check the chain tension</li> </ul>
Chainsaw judders, vibrates or does not saw properly	<ul style="list-style-type: none"> <li>- Chain is undertensioned</li> <li>- Chain is blunt</li> <li>- Chain is worn</li> <li>- Saw teeth point in the wrong direction</li> </ul>	<ul style="list-style-type: none"> <li>- Adjust the chain tension</li> <li>- Re-sharpen or replace the chain</li> <li>- Replace the chain</li> <li>- Refit the chain with the teeth facing in the correct direction</li> </ul>

If the equipment will not work in spite of the troubleshooting measures and the voltage supply being OK, please contact customer service (see section 8.3).

# Einhell®

## EINHELL CUSTOMER PROMISE

**QUALITY COMES FIRST.** The Einhell name is synonymous with high-performance tools and high-quality European craftsmanship. From cordless screwdrivers to electric lawn mowers, Einhell USA designs and develops state-of-the-art handheld power and garden tools for DIY enthusiasts, hobby gardeners, and handymen.

Einhell USA's quality assurance and engineering teams ensure products are subjected to stringent quality and performance tests. We know that sometimes tough tools go through tough times. In the event that you should experience any issue with your product, you have our commitment that we'll do everything we can to get you back a tool that's ready to work as hard as you do.

### PRODUCT REGISTRATION:

Einhell strongly encourages you to register your purchase. You can register online at **EinhellUSA.com**. Failure to register your product purchase will not diminish your warranty rights. However, registering your purchase will allow Einhell to better serve you with any of your customer service needs.

### WHAT IS COVERED?

Einhell warrants to the owner that if this Machine fails within 2 years from the date of purchase due to a defect in material or workmanship or as a result of normal wear and tear from ordinary household use, Einhell will send a replacement part or product, as needed, free of charge and with free shipping to the original purchaser. If, in Einhell's sole discretion, the failed Machine cannot be repaired with a part, Einhell will elect to either (A) send a new Machine at no charge and with free shipping or (B) refund the full purchase price to the owner.

### WHO CAN SEEK WARRANTY COVERAGE?

This Warranty is extended by Einhell to the owner of this Machine (a "Machine" consists of a product powered by a motor) for residential and personal household use only. This warranty is limited to thirty (30) days from the start of original purchase of any EINHELL brand product that is used for commercial purposes, or any other income-producing purpose. Should ownership of this machine change during the coverage period, please update the Machine's owner information at **EinhellUSA.com**

### WHAT IS NOT COVERED?

This warranty does not cover any product that has been subject to misuse, neglect, negligence, or accident, or that has been operated in any way contrary to the operating instructions as specified in the operator's manual. This Warranty does not cover cosmetic changes that do not affect performance.

This Warranty is only valid if the Machine is used and maintained in accordance with the instructions, warnings and safeguards contained in the owner's manual. Einhell will not be responsible for the cost of any unauthorized warranty repairs. This warranty does not cover any cost or expense incurred by the purchaser in providing substitute equipment or service during reasonable periods of malfunction or non-use of this product while waiting for a replacement part or unit under this warranty.

Wearing parts like belts, augers, chains and tines are not covered under this warranty, and can be purchased at **EinhellUSA.com** or by calling **1-866-EINHELL (1-866-346-4355)**. Batteries are covered in full for 90-days from the date of purchase.

Repair, replacement or refund of the purchase price are the exclusive remedies of purchaser and the sole liability of Einhell under this warranty. No employee or representative of Einhell is authorized to make any additional warranty or any modification to this warranty which may be binding upon Einhell. Accordingly, purchaser should not rely upon any additional statements made by any employee or representative of Einhell. In no event, whether based on contract, indemnity, warranty, tort (including negligence), strict liability or otherwise, shall Einhell be liable for any special, indirect, incidental, or consequential damages, including, without limitation, loss of profit or revenue.

Some states do not allow limits on warranties. In such states, the above limitations may not apply to you.

Outside the USA and Canada, other warranties may apply.

## Índice de contenidos

1. Instrucciones de seguridad
2. Descripción del aparato y volumen de entrega
3. Uso adecuado
4. Características técnicas
5. Antes de la puesta en marcha
6. Manejo
7. Cómo trabajar con el juego de montaje para motosierras
8. Mantenimiento, limpieza y pedido de piezas de repuesto
9. Eliminación y reciclaje
10. Almacenamiento
11. Plan para localización de averías

**Peligro!**

Al usar aparatos es preciso tener en cuenta una serie de medidas de seguridad para evitar lesiones o daños. Por este motivo, es preciso leer atentamente este manual de instrucciones/advertencias de seguridad. Guardar esta información cuidadosamente para poder consultarla en cualquier momento. En caso de entregar el aparato a terceras personas, será preciso entregarles, asimismo, el manual de instrucciones/advertencias de seguridad. No nos hacemos responsables de accidentes o daños provocados por no tener en cuenta este manual y las instrucciones de seguridad.

**1. Instrucciones de seguridad****Leer todas las instrucciones**

**ADVERTENCIA:** Al usar aparatos eléctricos de jardinería es preciso tener en cuenta una serie de medidas básicas de seguridad con el fin de reducir el riesgo de incendio, descarga eléctrica y lesiones personales, incluyendo las siguientes:

**PARA TODOS LOS APARATOS**

- Evitar entornos peligrosos: no utilizar los aparatos en lugares húmedos o mojados.
- No usar bajo la lluvia.
- Mantener a los niños alejados: es preciso mantener a todas las personas y animales alejados de la zona de trabajo.
- Vestirse adecuadamente: no llevar ropa holgada ni joyas. Podrían quedarse atrapadas en las piezas móviles. Llevar ropa protectora: se recomienda usar guantes, pantalones largos, una camiseta de manga larga y calzado de seguridad siempre que se trabaje en el exterior. Llevar gorro para cubrir y proteger el pelo largo.
- Llevar gafas de seguridad: llevar siempre mascarilla antipolvo si hay polvo en el área en el que se va a trabajar. El objetivo de las normas de seguridad es advertir de los posibles peligros. Es preciso prestar especial atención y comprender los símbolos de seguridad y sus explicaciones. Las advertencias de seguridad no eliminan por sí mismas los peligros. Las instrucciones o advertencias que ofrecen no sustituyen las medidas adecuadas para la prevención de accidentes.
- Utilizar el aparato adecuado: no utilizar el aparato para realizar un trabajo para el que no haya sido concebido.
- No forzar el aparato: trabajará mejor y con menos probabilidad de que exista riesgo de sufrir lesiones dentro de los parámetros para la que ha sido diseñado.
- No sobreextenderse: mantener siempre bien apoyados los pies y el equilibrio.
- Estar siempre atento. utilizar el sentido común. No operar el aparato si se está cansado o bajo la influencia de drogas, alcohol o medicación.
- Cuando no se utilice el aparato, se deberá almacenar en un recinto cerrado y seco fuera del alcance de los niños.
- Realizar el mantenimiento el aparato con cuidado. Seguir las instrucciones para la lubricación y el cambio de accesorios. Mantener las empuñaduras secas, limpias y libres de aceite y grasa.
- Comprobar que no haya piezas dañadas. Antes de utilizar el aparato, asegurarse de que las protecciones de seguridad estén intactas. No utilizar nunca una herramienta sin su protección de seguridad. Revisar la alineación de las piezas móviles y sus uniones.
- Comprobar que no haya piezas rotas o defectuosas que puedan afectar el funcionamiento seguro de la herramienta. Un dispositivo de protección dañado u otra pieza dañada se deberá enviar a reparar adecuadamente o sustituir a un centro de servicio autorizado a no ser que se indique lo contrario en este manual.
- Recargar solo con el cargador especificado por el fabricante. Un cargador adecuado para un tipo de batería puede conllevar el riesgo de provocar un incendio si se usa con otro tipo de batería.
- Utilizar los aparatos solo con las baterías designadas específicamente. El uso de cualquier otro tipo de batería puede suponer un riesgo de sufrir lesiones y de provocar un incendio.
- Si no se está usando la batería, mantenerla alejada de otros objetos metálicos, como clips, monedas, llaves, clavos, tornillos u otros objetos pequeños de metal que puedan realizar una conexión de un terminal al otro. Si se cortocircuitan los terminales de la batería, se pueden provocar quemaduras o un incendio.
- En caso de uso excesivo, es posible que algo de líquido gotee de la batería. Evitar el contacto. En caso de contacto accidental, lavar con agua. Si el líquido entra en contacto con los ojos, buscar atención médica. El líquido

que sale de la batería puede causar irritación o quemaduras. (Estos consejos están destinados a los tipos de batería convencionales NiMh, NiCd, de plomo y ácido y de iones de litio. Si estos consejos no son adecuados para un tipo de batería distinta a estos, sustituirlos por los consejos adecuados.)

- No utilizar baterías ni aparatos que estén dañados o modificados. Las baterías dañadas o modificadas pueden manifestar comportamientos impredecibles que den lugar a incendio, explosión o riesgo de lesión.
- Seguir todas las instrucciones de carga y no cargar la batería ni el aparato fuera del margen de temperatura especificado en las instrucciones. Una carga inadecuada o a temperaturas fuera del margen especificado puede dañar la batería e incrementar el riesgo de incendio.
- Encargar el servicio exclusivamente a una persona cualificada que use solo piezas de repuesto idénticas. Solo así se podrá mantener la seguridad del producto.
- No modificar ni intentar reparar el aparato o la batería (si aplicable) de forma distinta a lo que se indique en las instrucciones de uso y conservación.

#### 1. PARA TODOS LOS APARATOS DE JARDINERÍA QUE FUNCIONAN CON BATERÍA:

- No cargar el aparato bajo la lluvia ni en lugares húmedos.
- No utilizar aparatos que funcionan con batería bajo la lluvia. Quitar o desconectar siempre la batería antes de realizar ajustes, limpiar, reparar o transportar el aparato de jardín.

#### 2. PARA TODOS LOS APARATOS QUE FUNCIONAN CON UNA BATERÍA DESMONTABLE:

- Usar solo el siguiente tipo y tamaño de batería:
  - 18V 1.5Ah P-X-C batería Li-Ion
  - 18V 2.0Ah P-X-C batería Li-Ion
  - 18V 2.6Ah P-X-C Plus batería Li-Ion
  - 18V 3.0Ah P-X-C batería Li-Ion
  - 18V 4.0Ah P-X-C batería Li-Ion
  - 18V 5.2Ah P-X-C Plus batería Li-Ion
- No tirar la batería al fuego. La célula puede explotar. Consultar la legislación local en materia de eliminación de residuos.
- No abrir ni cortar la batería. El electrolito que sale de la misma es corrosivo y puede lesionar los ojos o la piel. Puede ser tóxico si se

ingiere.

- Tener cuidado al manipular la batería para no cortocircuitarla con materiales conductivos como anillos, pulseras o llaves. La batería o el conductor se puede sobrecalentar y provocar quemaduras.

#### 3. EVITAR UN ARRANQUE INVOLUNTARIO: NO INSERTAR LA BATERÍA MIENTRAS SE TIENE EL DEDO EN EL INTERRUPTOR. ASEGURARSE DE QUE EL INTERRUPTOR ESTÉ EN OFF CUANDO SE INSERTE LA BATERÍA.

#### ADVERTENCIAS GENERALES DE SEGURIDAD PARA LA BATERÍA

- Desechar la batería usada a tiempo y de manera adecuada. A la hora de desechar células o baterías secundarias, mantener separadas las células o baterías de distintos sistemas electromecánicos.
- Mantener la batería fuera del alcance de los niños y en el embalaje original hasta que estén listas para su uso.
- No meterse nunca la batería en la boca. De ingerirse, ponerse de inmediato en contacto con el centro de toxicología local.
- CUIDADO: la batería que se utiliza en este dispositivo puede conllevar riesgo de incendio o quemadura química si se abusa de ella. Sustituir la batería exclusivamente por otra de la marca Einhell o la marca recomendada. El uso de cualquier otra batería puede conllevar riesgo de incendio o explosión.
- ADVERTENCIA: no utilizar una batería o aparato que esté visiblemente dañado.
- ADVERTENCIA: no modificar ni intentar reparar el aparato ni la batería.
- **LAS BATERÍAS SE TIENEN QUE RECI-CLAR.**
- No cortocircuitar la célula ni la batería. No guardar las células ni baterías de manera descuidada en una caja o en un cajón donde se puedan cortocircuitar entre sí o por materiales conductivos.
- No someter las células o baterías a choques mecánicos.
- Mantener las células y baterías limpias y secas. Si se ensucian, frotarlas con un paño limpio y seco.
- No mantener las células o baterías secundarias en carga si no se usan.
- Mantener las células y baterías originales. No utilizar un cargador que no se haya facilitado específicamente para usar con el equipo.

Las células y baterías secundarias se tienen que cargar antes de su uso. Utilizar siempre el cargador correcto y consultar las instrucciones del fabricante o el manual del equipo para saber cómo cargar correctamente.

- Siempre que sea posible, quitar la batería del equipo cuando no se use.
- Evitar un arranque inesperado. Asegurarse de que el interruptor se encuentre en la posición OFF antes de conectar la batería, alzarla o transportarla. El transporte de aparatos con el dedo en el interruptor o la activación de aparatos energéticos con el interruptor en ON puede provocar accidentes.
- Desconectar la batería del aparato antes de realizar ajustes, cambiar accesorios o almacenar el aparato. Este tipo de medidas de seguridad preventivas sirve para reducir el riesgo de poner en marcha el aparato de manera involuntaria.
- En caso de uso excesivo, es posible que algo de líquido goteé de la batería. Evitar el contacto. En caso de contacto accidental, lavar con agua. Si el líquido entra en contacto con los ojos, buscar atención médica. El líquido que sale de la batería puede causar irritación o quemaduras.
- Encargar el servicio exclusivamente a una persona cualificada que use solo piezas de repuesto idénticas. Solo así se podrá mantener la seguridad del producto.
- **Proteger la batería de la humedad, la lluvia y la humedad ambiental elevada.** La humedad, la lluvia y la humedad ambiental elevada pueden provocar daños peligrosos en las celdas. No cargar ni trabajar nunca con baterías que hayan estado expuestas a la humedad, la lluvia o humedad ambiental elevada, ¡reemplazarlas de inmediato!

#### **INSTRUCCIONES DE SEGURIDAD IMPORTANTES PARA EL CARGADOR**

**ADVERTENCIA:** Este producto puede contener plomo, ftalato u otros productos químicos que según el Estado de California pueden provocar cáncer, malformaciones en el feto u otros daños reproductivos. Lavarse las manos después de utilizarlo.

#### **Advertencias de seguridad pértigas de poda**

- 1) Mantener todas las partes del cuerpo alejadas de la cadena de la sierra. No retirar el material cortado ni sostener material para cortarlo cuando las cuchillas estén en movimiento. Asegurarse de que el interruptor esté

apagado antes de retirar material atascado. La cadena de la sierra sigue moviéndose después de apagar el interruptor. Cualquier descuido mientras se opera la pértiga puede tener como consecuencia graves lesiones personales.

- 2) Transportar la pértiga de poda por el asa con la cadena de la sierra parada. A la hora de transportar o almacenar la pértiga de poda, poner siempre la cubierta protectora en la cadena. Si se manipula de manera adecuada, se reduce la posibilidad de sufrir lesiones personales provocadas por la cadena de la sierra.
- 3) Sujetar la pértiga de poda solo por las superficies con revestimiento aislante puesto que la cadena puede toparse con cableado oculto o su propio cable. Una cadena de la sierra que entre en contacto con cables con corriente puede hacer que las partes metálicas al descubierto de la herramienta eléctrica le provoquen una descarga eléctrica al usuario. Excepción: omitir "o su propio cable" en caso de aparatos inalámbricos operados con batería.
- 4) No utilizar la pértiga de poda cuando haga mal tiempo, especialmente si hay riesgo de relámpagos. Así se reduce el riesgo de ser alcanzado por un rayo.
- 5) Para reducir el riesgo de electrocutarse, no utilizar nunca la herramienta en las inmediaciones de cables eléctricos. El contacto o el uso en las inmediaciones de cables eléctricos puede provocar lesiones graves o una electrocución con consecuencias fatales.
- 6) Utilizar siempre las dos manos para operar la pértiga de poda. Sujetar la pértiga de poda con las dos manos para evitar una pérdida de control.
- 7) Llevar siempre casco cuando se utilice la pértiga de poda a alturas por encima de la cabeza. Los escombros que van cayendo pueden provocar lesiones personales graves.

Este aparato no ha sido concebido para ser utilizado por personas (incluyendo niños) cuyas capacidades estén limitadas física, sensorial o psíquicamente, o que no dispongan de la experiencia y/o los conocimientos necesarios. Las personas aptas deberán recibir formación o instrucciones necesarias sobre el funcionamiento del aparato por parte de una persona responsable para su seguridad. Vigilar a los niños para asegurarse de que no jueguen con el aparato.



### Explicación de los símbolos que aparecen sobre el aparato (fig. 29):

1. ¡Aviso!
2. Llevar protección para ojos, cabeza y oídos.
3. Proteger el aparato de la lluvia o la humedad.
4. Longitud de corte máxima pértiga de poda
5. Peligro de muerte por descarga eléctrica. ¡La distancia con respecto a los cables eléctricos debe ser de como mínimo 33 ft (10 m)!
6. Leer el manual de instrucciones de uso antes de la puesta en marcha.
7. Llevar calzado resistente.
8. Tener cuidado con las piezas que se caen o salen despedidas.
9. Mantenerse alejado.
10. Dirección del movimiento de la cadena y de los dientes de la cadena pértiga de poda
11. Llevar guantes de protección
26. Botón de enclavamiento
27. Tornillo de fijación
28. Piñón
29. Tornillo tensor de la sierra
30. Depósito
31. Tapa del depósito de aceite
32. Dispositivo de retención
33. Indicador de capacidad de batería
34. Pulsador para indicar la capacidad de batería

### 2.2 Volumen de entrega

Sirviéndose de la descripción del volumen de entrega, comprobar que el artículo esté completo. Si faltase alguna pieza, dirigirse a nuestro Service Center o a la tienda especializada más cercana en un plazo máximo de 5 días laborales tras la compra del artículo presentando un recibo de compra válido.

- Abrir el embalaje y extraer cuidadosamente el aparato.
- Retirar el material de embalaje, así como los dispositivos de seguridad del embalaje y para el transporte (si existen).
- Comprobar que el volumen de entrega esté completo.
- Comprobar que el aparato y los accesorios no presenten daños ocasionados durante el transporte.
- Si es posible, almacenar el embalaje hasta que transcurra el periodo de garantía.

### GUARDE ESTAS INSTRUCCIONES

## 2. Descripción del aparato y volumen de entrega

### 2.1 Descripción del aparato

1. Asidero
2. Interruptor ON/OFF
3. Botón de bloqueo de conexión
4. Botón de retención regulación de inclinación asidero
5. Tuerca de montaje
6. Tubo
7. Correa de sujeción para el hombro con desbloqueo de seguridad
8. Empuñadura adicional
9. Tuerca de enclavamiento tubo telescópico 1
10. Tubo telescópico 1
11. Tuerca de enclavamiento tubo telescópico 2
12. Tubo telescópico 2 con carcasa del motor
13. Botón de retención regulación de inclinación carcasa del motor
14. Juego de montaje para motosierras
15. Cuchilla
16. Cadena de la sierra
17. Cubierta protectora
18. Carcasa del asidero
19. Mosquetón
20. Soporte del cinturón con bucles de metal
21. Tornillo hexagonal
22. Enclavamiento
23. Soporte de la empuñadura
24. Botones de bloqueo
25. Carcasa del motor

### Peligro!

**¡El aparato y el material de embalaje no son un juguete! ¡No permitir que los niños jueguen con bolsas de plástico, láminas y piezas pequeñas! ¡Riesgo de ingestión y asfixia!**

- Asidero completo
- Tubo con unidad de motor completo
- Correa de sujeción para el hombro con desbloqueo de seguridad
- Juego de montaje para motosierras
- Cuchilla
- Cadena de la sierra
- Cubierta protectora
- Manual de instrucción original con instrucción de seguridad

**Accesorios disponibles por separado**

18V 1.5Ah P-X-C batería Li-Ion  
 18V 2.0Ah P-X-C batería Li-Ion  
 18V 2.6Ah P-X-C Plus batería Li-Ion  
 18V 3.0Ah P-X-C batería Li-Ion  
 18V 4.0Ah P-X-C batería Li-Ion  
 18V 5.2Ah P-X-C Plus batería Li-Ion  
 18V P-X-C cargador rápido de doble Puerto  
 18V P-X-C cargador rápido

Explorar las opciones de batería y cargador en [einhellUSA.com](http://einhellUSA.com)


**3. Uso adecuado****Pértiga de poda (motosierra con brazo telescópico)**

El juego de montaje para motosierras solo se puede montar en el cabezal del motor suministrado. La motosierra con brazo telescópico ha sido concebida para realizar trabajos de desramado en árboles. No resulta adecuada para extensos trabajos de corte ni para talar árboles, así como tampoco para cortar otros materiales que no sean madera.

Utilizar la máquina sólo en los casos que se indican explícitamente como de uso adecuado. Cualquier otro uso no será adecuado. En caso de uso inadecuado, el fabricante no se hace responsable de daños o lesiones de cualquier tipo; el responsable es el usuario u operario de la máquina.

Tener en consideración que nuestro aparato no está indicado para un uso comercial, industrial o en taller. No asumiremos ningún tipo de garantía cuando se utilice el aparato en zonas industriales, comerciales o talleres, así como actividades similares.

**4. Características técnicas**

Alimentación de tensión de motor: ..... 18 V   
 Grosor de corte máximo: ..... 6.7 plg (17 cm)  
 Longitud de barra-guía de cadena: ..... 8 plg (20.3 cm)  
 Paso de la cadena: .....  $\frac{3}{8}$  plg (9.5 mm), 33 dientes  
 Grosor de cadena: ..... 0.050 plg (1.3 mm)  
 Cadena de la sierra: ..... Oregon 91P033X  
 Cuchilla: ..... Oregon 080NDEA041  
 Velocidad de corte a velocidad nominal: ..... 12.34 ft/sec. (3.76 m/s)  
 Eje telescópico: ..... 6 piec a 9 piec (1.83 m a 2.77 m)  
 Capacidad del tanque de aceite: ..... 4.23 fl oz (125 ml)  
 Cabezal multi-ángulo: ..... -60°, -40°, -20°, 0°, 20°, 40°, 60°  
 Empuñadura principal multi-ángulo: ..... -40°, -20°, 0°, 20°  
 Peso (solo herramienta): ..... 8.8 lb (4 kg)

**¡Reducir la emisión de ruido y las vibraciones al mínimo!**

- Emplear sólo aparatos en perfecto estado.
- Realizar el mantenimiento del aparato y limpiarlo con regularidad.
- Adaptar el modo de trabajo al aparato.
- No sobrecargar el aparato.
- En caso necesario dejar que se compruebe el aparato.
- Apagar el aparato cuando no se esté utilizando.
- Llevar guantes.

**5. Antes de la puesta en marcha**

**¡Cuidado!** Montar la batería una vez esté completamente montado el aparato y se hayan realizado todos los ajustes. Llevar siempre puestos guantes de protección al efectuar trabajos en el aparato a fin de evitar lesiones. Desembalar todas las piezas con cuidado y comprobar que estén completas (fig. 1)

**5.1 Montaje general**

- Fig. 2/3: Introducir el tubo (6) hasta la marca en la carcasa del asidero (18) y apretarlo con la tuerca de montaje (5).
- Fig. 4: Enganchar el mosquetón (19) de la correa de sujeción para el hombro (7) en el

- soporte de la correa (20).
- c) Fig. 5: La empuñadura adicional (8) se compone de tornillo hexagonal (21) y enclavamiento (22). Se monta en el soporte de la empuñadura (23) según se muestra en la figura. Introducir para ello el tornillo hexagonal (21) en la empuñadura adicional y atornillarla con el enclavamiento (22).

## 5.2 Montaje del juego de montaje para motosierras (empleo como pértiga de poda)

### 5.2.a-Montaje de la cuchilla y de la cadena de la sierra

- Soltar el tornillo de fijación (27) para la cubierta de la rueda de la cadena (fig. 6).
- Retirar la cubierta de la rueda de la cadena.
- Colocar la cadena en la ranura circular de la cuchilla como se muestra en la ilustración (fig. 7).
- Colocar la cuchilla y la cadena en el alojamiento de la motosierra según la ilustración (fig. 8). Pasar la cadena rodeando el piñón (fig. 8/ pos. 28).
- Poner la cubierta de la rueda de la cadena y apretar a mano con el tornillo de fijación (fig. 9/pos. 27).

Apretar definitivamente el tornillo de fijación una vez que se haya ajustado la tensión de la cadena (véase punto 5.2.b).

### 5.2.b Cómo tensar la cadena de la sierra

**¡Cuidado!** Antes de realizar comprobaciones y trabajos de ajuste quitar siempre la batería del aparato. Llevar siempre puestos guantes de protección al efectuar trabajos en la motosierra a fin de evitar lesiones.

- Soltar algunas vueltas el tornillo de fijación (27) para la cubierta de la rueda de la cadena (fig. 6).
- Ajustar la tensión de la cadena mediante el tornillo tensor de la sierra (fig. 10/pos. 28). Girando a la derecha se incrementa la tensión de la cadena, girando a la izquierda se reduce la tensión de la cadena. La cadena de la sierra presentará la tensión correcta si se puede elevar en el centro de la cuchilla aprox. de 0,08 pulgadas (2 mm) (fig. 11).
- Soltar el tornillo de fijación (27) para la cubierta de la rueda de la cadena (fig. 9).

**¡Advertencia!** Todos los eslabones de la cadena han de alojarse correctamente en la ranura guía de la cuchilla.

### Instrucciones para tensar la cadena:

La cadena de la sierra ha de estar tensada correctamente a fin de garantizar un funcionamiento seguro. Se sabe que la tensión es la óptima si la cadena se puede elevar en el centro de la cuchilla aprox. de 0,08 pulgadas (2 mm). Ya que la cadena de la sierra se calienta al serrar, modificándose así su longitud, es preciso comprobar su tensión como mínimo cada 10 minutos y regularla según sea necesario. Esto es especialmente importante para las cadenas de sierra nuevas. Destensar la cadena de la sierra al terminar de trabajar, ya que ésta se acorta al enfriarse. De este modo se evita que se dañe la cadena.

### 5.2.c Lubricación de la cadena de la sierra

**¡Cuidado!** Antes de realizar comprobaciones y trabajos de ajuste quitar siempre la batería del aparato. Llevar siempre puestos guantes de protección al efectuar trabajos en la motosierra a fin de evitar lesiones.

**¡Advertencia!** ¡No operar jamás la cadena sin el aceite apropiado! ¡El uso de la motosierra sin aceite de cadena o con un nivel de aceite por debajo de la mirilla provoca daños en la motosierra!

**¡Advertencia!** Tener en cuenta las condiciones térmicas:

Las distintas temperaturas del ambiente requieren lubricantes con una viscosidad de lo más variado. A bajas temperaturas se requieren aceites muy fluidos (baja viscosidad) para crear la película lubricante necesaria. Ahora bien, si se utiliza el mismo aceite en época de verano, éste seguiría fluidificándose por la simple acción de las altas temperaturas. De este modo puede desprenderse la película lubricante, sobrecalentarse la cadena y dañarse. Asimismo, el aceite lubricante se quema, provocando una innecesaria emisión de contaminantes.

### Llenar el depósito del aceite (fig. 12):

- Colocar la motosierra sobre una superficie plana.
- Limpiar la zona que rodea a la tapa del depósito de aceite (fig. 12/pos. 31) y abrirla a continuación.
- Llenar el depósito (fig. 12/pos. 30) con aceite para cadena de sierra. Asegurarse de que no penetre suciedad en el depósito para que la tobera del aceite no se atasque.
- Cerrar la tapa del depósito de aceite (fig. 12/ pos. 31).

Tras montar el juego de montaje para motosierras, así como en caso de no usarse, poner la cubierta protectora (fig. 1/pos. 17) en la cuchilla montada con cadena de la sierra para evitar lesiones.

### 5.3 Ajuste de la empuñadura adicional (fig. 13-14)

#### a) Ajuste de la inclinación de la empuñadura adicional

Abrir el enclavamiento (22). Ajustar la inclinación deseada de la empuñadura adicional (8). Cerrar el enclavamiento.

#### b) Desplazar la empuñadura adicional

Abrir el enclavamiento y desplazar la empuñadura adicional (8) hasta alcanzar la posición deseada. Cerrar el enclavamiento.

### 5.4 Cómo colocar la correa de sujeción para el hombro

**¡Aviso!** Llevar siempre una correa de sujeción para el hombro al trabajar con la sierra. Apagar siempre el aparato antes de quitarse la correa de sujeción para el hombro. Existe peligro de sufrir lesiones.

1. Enganchar el mosquetón (fig. 4/pos. A) en el soporte de la correa (20).
2. Colocarse la correa de sujeción (fig. 15/pos. 7) sobre el hombro.
3. Ajustar la longitud de la correa de forma que la sujeción de la misma se halle a la altura de la cadera (fig. 15).
4. La correa de sujeción para el hombro está dotada de una hebilla. Si se necesita dejar rápidamente el aparato, presionar los ganchos (fig. 16).
5. Para cambiar la posición del cinturón en el aparato, presionar los dos bucles de metal (fig. 4/pos.20) entre sí y desplazar el soporte del cinturón en el tubo.

### 5.5 Ajuste de la inclinación del asidero (fig. 17)

Pulsar los dos botones de bloqueo (24) y ajustar la inclinación del asidero (1) en 4 posiciones.

### 5.6 Ajuste de la inclinación de la carcasa del motor (fig. 18)

Pulsar los dos botones de bloqueo (24) y ajustar la inclinación de la carcasa del motor (25) en 7 posiciones.

### 5.7 Ajuste de los tubos telescópicos (fig. 19)

1. Abrir las tuercas de enclavamiento del tubo telescópico (9 + 11) girando hacia la izquierda.
2. Extraer el tubo telescópico (10 + 12) hasta donde sea necesario para la altura de trabajo.
3. Cerrar las tuercas de enclavamiento del tubo telescópico (9 + 11) girando hacia la derecha.

### 5.8 Montaje del juego de montaje para motosierras en el cabezal del motor (fig. 20 - 21)

La cubierta protectora debe estar puesta sobre la cuchilla montada con cadena de la sierra para evitar lesiones.

1. Colocar el juego de montaje para motosierras y el cabezal del motor de forma que las flechas de las dos partes coincidan.
2. Presionar el juego de montaje contra el cabezal. De este modo, el botón de enclavamiento (26) se mueve hacia la derecha. Girar el juego de montaje para motosierras hacia la derecha. El juego de montaje se bloquea en el cabezal del motor y está montado de forma fija. El botón de enclavamiento (26) se presiona hacia la izquierda.

### 5.9 Cómo dar un giro de 90° al juego de montaje para motosierras en el cabezal del motor (fig. 22)

La cubierta protectora debe estar puesta sobre la cuchilla montada con cadena de la sierra para evitar lesiones.

1. Poner el botón de enclavamiento (26) a la derecha.
2. Girar el juego de montaje 90° hacia la izquierda. El juego de montaje se bloquea en el cabezal del motor y está montado de forma fija.

### 5.10 Cómo quitar el juego de montaje para motosierras en el cabezal del motor (fig. 20 - 21)

La cubierta protectora debe estar puesta sobre la cuchilla montada con cadena de la sierra para evitar lesiones.

1. Poner el botón de enclavamiento (26) a la derecha.
2. Girar el juego de montaje hasta que las flechas en el cabezal y el juego de montaje coincidan y se pueda quitar.

### 5.11 Montaje de la batería (fig. 23 - 24)

Presionar, según se ve en la fig. 23, el dispositivo de retención (32) de la batería y desplazar la batería en el alojamiento previsto para ello. En

cuanto la batería se encuentre en la posición de la figura 24, asegurarse de que el dispositivo de retención enclave. Para desmontar la batería, realizar los mismos pasos en orden inverso.

## 6. Manejo

Respetar las disposiciones legales vigentes sobre la emisión de ruidos en el lugar de uso (pueden variar según el lugar).

**¡Cuidado!** Llevar siempre una correa de sujeción para el hombro al trabajar con la sierra. Apagar siempre el aparato antes de quitarse la correa de sujeción para el hombro. Existe peligro de sufrir lesiones.

Poner la correa de sujeción para el hombro como se ha descrito antes, montar el juego de montaje deseado y ajustar el aparato a las necesidades de uno mismo.

### Conexión/desconexión

#### Conexión

- Sujetar el aparato con ambas manos por las empuñaduras (los pulgares por debajo de la empuñadura adicional)
- Desplazar hacia delante el botón de bloqueo de conexión (fig. 3/pos. 3) y mantenerlo sujeto.
- Encender el aparato con el interruptor ON/OFF (fig. 3/pos. 2). Ya se puede volver a soltar el botón de bloqueo de conexión.

#### Desconexión

Soltar el interruptor ON/OFF (fig. 3/pos. 2).

### 6.1 Cómo cargar la batería de litio

Las instrucciones correspondientes se encuentran en el manual de instrucciones original del cargador.

### 6.2 Indicador de capacidad de batería (fig. 25/pos. 33)

Pulsar el interruptor para acceder al indicador de capacidad de la batería (34). El indicador de capacidad de batería (33) le indica el estado de carga de la batería sirviéndose de 3 LEDs.

#### Los 3 LED están iluminados:

La batería está completamente cargada.

#### 2 o 1 LED están iluminados

La batería dispone de suficiente carga residual.

#### 1 LED parpadea:

La batería está vacía, es preciso cargarla.

#### Todos los LED parpadean

La batería está muy descargada y defectuosa. Está prohibido emplear y cargar una batería defectuosa.

## 7. Cómo trabajar con el juego de montaje para motosierras

### Preparación

Antes de cada uso y en caso de posibles daños, comprobar los siguientes puntos para poder trabajar de forma segura:

#### Estado de la motosierra

Revisar la motosierra antes de comenzar a trabajar para comprobar si existen daños en la carcasa, el cable de conexión, la cadena de la sierra y la guía. Jamás se pondrá en marcha un aparato que presente daños evidentes.

#### Recipiente de aceite

Nivel de llenado del recipiente de aceite. Comprobar también durante el trabajo que siempre haya aceite suficiente. Jamás se operará la sierra sin aceite o si el nivel del mismo desciende por debajo de la marca del mínimo para evitar que se dañe la motosierra. Un llenado suele bastar para trabajar unos 20 minutos, variando en función de las pausas y de la carga.

#### Cadena de la sierra

Tensión de la cadena de la sierra, estado del modo de corte. Cuanto más afilada esté la cadena de la sierra, más controlable y fácil de operar será la motosierra. Lo mismo sucede con la tensión de la cadena. ¡Por su seguridad, comprobar también durante el trabajo la tensión de la cadena como mínimo cada 10 minutos! En particular, las cadenas de sierra nuevas tienden a sufrir una mayor dilatación.

#### Ropa de protección

Es imprescindible llevar puesta la correspondiente indumentaria de protección ajustada al cuerpo como, p. ej., pantalones protectores para cortar, unos guantes y calzado de seguridad.

### Llevar protección para los oídos y gafas protectoras.

Llevar un casco protector con protección integrada para los oídos y la cara. Dicho casco ofrece protección frente a ramas que caigan y tallos que reboten.

### Trabajar de forma segura

- Para garantizar la seguridad durante el trabajo se ha prescrito un ángulo de máx. 60°.
- No colocarse nunca debajo de la rama a cortar.
- Cuidado a la hora de cortar ramas que se hallen bajo tensión o madera con tendencia a astillarse.
- ¡Posible riesgo de sufrir lesiones por ramas que se caen y piezas de madera que salen despedidas!
- Mantener alejados de la zona de peligro a personas y animales cuando la máquina esté funcionando.
- El aparato no está protegido contra descargas eléctricas al entrar en contacto con cables de alta tensión. Mantener una distancia mínima de 33 ft (10 m) con respecto a posibles cables eléctricos. ¡Peligro de muerte por descarga eléctrica!
- En caso de pendiente, colocarse siempre por encima o al lado de la rama que se va a cortar.
- Mantener el aparato lo más pegado posible al cuerpo. Así se consigue el mejor equilibrio.

### Técnicas de corte

- A la hora de desramar, mantener el aparato en un ángulo de máx. 60° con respecto a la horizontal para no ser golpeado por una rama que caiga (fig. 28).
- Cortar primero las ramas inferiores del árbol. De esta forma se permite que las ramas cortadas caigan mejor.
- Una vez finalizado el corte, aumenta de forma considerable el peso de la sierra para el usuario, ya que deja de estar apoyada en una rama. Existe peligro de perder el control de la sierra.
- Retirar la sierra del corte sólo con la motosierra en marcha. De esta forma se evita que se quede enganchada.
- No cortar con la punta de la cuchilla.
- No cortar ramificaciones gruesas. Ello impide que se curen las heridas del árbol.

### Cortar ramas más pequeñas (fig. 26):

Colocar la superficie de tope de la sierra junto a la rama. Ello evita que la sierra se mueva de forma brusca al comenzar el corte. Guiar la sierra ejerciendo una ligera presión de arriba hacia abajo a través de la rama.

### Cortar ramas más grandes y más largas (fig. 27):

Realizar un corte de descarga en caso de ramas más grandes.

Cortar primero con la parte superior de la cuchilla, de abajo hacia arriba, 1/3 del diámetro de la rama (fig. 27/punto 1). Cortar a continuación con la parte inferior de la cuchilla, de arriba hacia abajo, en dirección al primer corte (fig. 27/punto 2). Cortar ramas largas a trozos más cortos para tener un mejor control de cómo van a caer.

### Contragolpe

Por contragolpe se entiende la sacudida súbita de la motosierra en marcha hacia arriba y hacia atrás. Las causas suelen ser que la pieza de trabajo entre en contacto con el extremo de la cuchilla o que la cadena de la sierra quede atascada. En caso de contragolpe, entran en juego fuerzas de gran magnitud. Por lo que la motosierra reacciona de manera incontrolada en la mayoría de los casos. La consecuencia más frecuente consiste en lesiones de máxima gravedad en el trabajador o de las personas que se hallen en las inmediaciones. El riesgo de que se produzca un contragolpe aumenta especialmente cuando se empieza una incisión con el extremo de la cuchilla, ya que la acción de palanca alcanza en dicho punto su máxima fuerza. Colocar la sierra por ello siempre lo más plana posible.

### ¡Peligro!

- ¡Asegurar que la tensión de la cadena siempre sea la correcta!
- ¡Utilizar únicamente motosierras en perfecto estado!
- ¡Trabajar solamente con una motosierra afilada de forma reglamentaria!
- ¡No serrar jamás con el canto superior o el extremo de la cuchilla!
- ¡Sujetar siempre con firmeza la motosierra con las dos manos!

### Serrar madera sometida a tensión

Serrar madera que se encuentre sometida a tensión requiere especial cuidado. La madera bajo tensión que quede liberada de dicha fuerza al serrarla reacciona en ocasiones de forma completamente incontrolada. Ello puede provocar lesiones muy graves y hasta incluso mortales. Dichos trabajos solo podrán ser llevados a cabo por especialistas debidamente formados.

## 8. Mantenimiento, limpieza y pedido de piezas de repuesto

### Peligro!

Desenchufar la batería antes de realizar trabajos de mantenimiento o de limpieza.

### 8.1 Limpieza

- Limpiar con regularidad el mecanismo tensor mediante aire comprimido o con un cepillo. No utilizar ningún tipo de herramientas para retirar las impurezas.
- Mantener las empuñaduras limpias de aceite para sujetar siempre con un agarre seguro.
- Si la motosierra no se utiliza por un espacio prolongado de tiempo, retirar el aceite de la cadena procedente del depósito. Aplicar un baño de aceite a la cadena de la sierra y la cuchilla durante un breve espacio de tiempo; a continuación, envolver en papel parafinado.
- Bajo ningún pretexto se sumergirá el aparato ni en agua ni en otro tipo de líquidos.
- Quitar la suciedad en las cubiertas de protección con ayuda de un cepillo.
- Evitar al máximo posible que la suciedad y el polvo se acumulen en los dispositivos de seguridad, las rendijas de ventilación y la carcasa del motor. Frotar el aparato con un paño limpio o limpiarlo con aire comprimido manteniendo la presión baja.
- Se recomienda limpiar el aparato inmediatamente después de cada uso.
- Limpiar el aparato de forma periódica con un paño húmedo y un poco de jabón blando. No utilizar productos de limpieza o disolventes; ya que podrían deteriorar las piezas de plástico del aparato. Es preciso evitar que entre agua en el interior del aparato. Si entra agua en el aparato eléctrico, existirá mayor riesgo de que se produzca una descarga eléctrica.

### 8.2 Mantenimiento

#### 8.2.1 Juego de montaje para motosierras Sustitución de la cadena de la sierra y de la cuchilla

Cambiar la cuchilla siempre que la ranura guía de la misma presente desgaste. ¡Proceder al respecto según lo indicado en el capítulo "Montaje de la cuchilla y cadena de la sierra"!

#### Comprobar la lubricación automática de la cadena

Comprobar con regularidad la operatividad de la lubricación automática de la cadena con el fin de evitar el sobrecalentamiento y los daños asociados de la cuchilla y la cadena de la sierra. A tal efecto, dirigir el extremo de la cuchilla contra una superficie lisa (tabla, incisión de un árbol) y hacer funcionar la motosierra. Si aparece un rastro de aceite cada vez mayor durante el proceso, entonces la lubricación automática de la cadena funciona a la perfección. Si no aparece ningún rastro claro de aceite, ¡leer las instrucciones correspondientes que aparecen en el capítulo "Localización de averías"! Si tampoco sirven de ayuda dichas instrucciones, será preciso dirigirse a nuestro servicio posventa o a un taller similar especializado.

**¡Advertencia!** No tocar la superficie durante el proceso. Mantener la suficiente distancia de seguridad aprox. 7,9 pulgadas (20 cm).

#### Cómo afilar la cadena de la sierra

Solo es posible llevar a cabo un trabajo efectivo con la motosierra si la cadena de la sierra se encuentra en óptimas condiciones y está afilada. De este modo también se reduce el riesgo de contragolpe. La cadena de la sierra puede afilarse en cualquier concesionario. No intente afilar usted mismo la cadena de la sierra si no dispone de la herramienta apropiada, así como de la experiencia necesaria.

### 8.3 Pedido de piezas de repuesto:

#### Servicio

1. **Si su herramienta eléctrica necesita servicio, póngase en contacto con un distribuidor autorizado de Einhell USA o llame al centro de atención al cliente de Einhell USA 1-866-EINHELL (1-866-346-4355).** Utilice exclusivamente piezas de repuesto idénticas para las reparaciones. Solo así se podrá mantener la seguridad de la herramienta eléctrica.
2. **Si el cable del cargador está dañado, cámbielo de inmediato para evitar peligros.** Si necesita asistencia, llame al centro de atención al cliente de Einhell USA® al 1-866-EINHELL (1-866-346-4355).

## 9. Eliminación y reciclaje

El aparato está protegido por un embalaje para evitar daños producidos por el transporte. Este embalaje es materia prima y, por eso, se puede volver a utilizar o llevar a un punto de reciclaje. El aparato y sus accesorios están compuestos de diversos materiales, como, p. ej., metal y plástico. Los aparatos defectuosos no deben tirarse a la basura doméstica. Para su eliminación adecuada, el aparato debe entregarse a una entidad recolectora prevista para ello. En caso de no conocer ninguna, será preciso informarse en el organismo responsable del municipio.

## 10. Almacenamiento

Guardar el aparato y sus accesorios en un lugar oscuro, seco, protegido de las heladas e inaccesible para los niños. La temperatura de almacenamiento óptima se encuentra entre los 41°F y 86°F (5 y 30 °C). Guardar la herramienta eléctrica en su embalaje original.

Sólo está permitido copiar la documentación y documentos anexos del producto, o extractos de los mismos, con autorización expresa de Einhell Germany AG.

Nos reservamos el derecho a realizar modificaciones técnicas



## 11. Plan para localización de averías

### ¡Peligro!

Antes de la localización de averías es preciso apagar el aparato y quitar la batería.

En la siguiente tabla se describen posibles fallos y se ofrecen soluciones para su eliminación. Si no se puede localizar ni subsanar el problema, será preciso ponerse en contacto con su taller de asistencia técnica.

Avería	Posibles causas	Solución
El aparato no funciona	<ul style="list-style-type: none"> <li>- Batería vacía</li> <li>- Batería puesta de forma incorrecta</li> </ul>	<ul style="list-style-type: none"> <li>- Cargar la batería</li> <li>- Quitar la batería y volverla a meter</li> </ul>
El aparato trabaja de manera intermitente	<ul style="list-style-type: none"> <li>- Contacto flojo externo</li> <li>- Contacto flojo interno</li> <li>- Interruptor ON/OFF defectuoso</li> </ul>	<ul style="list-style-type: none"> <li>- Buscar un taller especializado</li> <li>- Buscar un taller especializado</li> <li>- Buscar un taller especializado</li> </ul>
Cadena de la sierra seca	<ul style="list-style-type: none"> <li>- No hay aceite en el depósito</li> <li>- Purga de aire atascada en el cierre del depósito de aceite</li> <li>- Canal de salida del aceite atascado</li> </ul>	<ul style="list-style-type: none"> <li>- Rellenar aceite</li> <li>- Limpiar cierre del depósito del aceite</li> <li>- Desbloquear canal de salida del aceite</li> </ul>
Cadena/riel guía caliente	<ul style="list-style-type: none"> <li>- No hay aceite en el depósito</li> <li>- Purga de aire atascada en el cierre del depósito de aceite</li> <li>- Canal de salida del aceite atascado</li> <li>- Cadena sin afilar</li> <li>- Cadena demasiado tensa</li> </ul>	<ul style="list-style-type: none"> <li>- Rellenar aceite</li> <li>- Limpiar cierre del depósito del aceite</li> <li>- Desbloquear canal de salida del aceite</li> <li>- Volver a afilar la cadena o cambiarla</li> <li>- Comprobar la tensión de la cadena</li> </ul>
La motosierra funciona a tirones, vibra o no sierra correctamente	<ul style="list-style-type: none"> <li>- Poca tensión en la cadena</li> <li>- Cadena sin afilar</li> <li>- Cadena desgastada</li> <li>- Los dientes de la sierra miran en la dirección incorrecta</li> </ul>	<ul style="list-style-type: none"> <li>- Ajustar tensión de la cadena</li> <li>- Volver a afilar la cadena o cambiarla</li> <li>- Cambiar cadena</li> <li>- Volver a montar la cadena de la sierra con los dientes mirando en la dirección correcta</li> </ul>

En caso de que el aparato no funcione a pesar de haber reparado los fallos y de haber tensión, ponerse en contacto con el servicio de atención al cliente, véase apartado 8.3.

# Einhell®

## LA PROMESA DE EINHELL AL CLIENTE

**LO PRIMERO ES LA CALIDAD.** El nombre de Einhell es sinónimo de herramientas de alto rendimiento y manufactura europea de alta calidad. Desde destornilladores inalámbricos hasta cortacéspedes eléctricos, Einhell USA diseña y desarrolla innovadoras herramientas para jardinería y eléctricas de mano para amantes del DIY, jardineros aficionados y manitas.

Los equipos de aseguramiento de la calidad y de ingenieros de Einhell USA garantizan que los productos se sometan a las pruebas más exigentes en materia de calidad y rendimiento. Sabemos que incluso las herramientas más resistentes pueden sufrir complicaciones. Si nota alguna anomalía en su producto, le aseguramos que haremos todo lo posible para devolverle una herramienta capaz de trabajar satisfaciendo sus exigencias.

### REGISTRO DEL PRODUCTO:

Einhell le recomienda encarecidamente que registre su compra. Puede registrarla online en **EinhellUSA.com**. En caso de no hacerlo, el producto comprado no perderá los derechos de garantía. No obstante, registrando su compra permite que Einhell le preste un mejor servicio de atención al cliente cuando lo necesite.

### ¿QUÉ CUBRE?

Einhell garantiza al propietario que, si esta máquina falla en un plazo de 2 años a partir de la fecha de compra debido a un defecto en el material, en la manufactura o como resultado de un desgaste normal del uso doméstico ordinario, Einhell le enviará una pieza o un producto de repuesto, según se necesite, de manera gratuita y sin gastos de envío al comprador original. Si, a criterio exclusivo de Einhell, la máquina averiada no se puede reparar con una pieza, Einhell decidirá si a) envía una nueva máquina de manera gratuita y sin gastos de envío, o b) reembolsa al propietario el importe completo de la compra.

### ¿QUIÉN PUEDE OBTENER COBERTURA DE GARANTÍA?

Einhell hace entrega de la presente garantía al propietario de esta máquina (una "máquina" consiste en un producto alimentado por un motor) para un uso exclusivamente doméstico y privado. Esta garantía está limitada a treinta (30) días a partir de la fecha de compra original de cualquier producto de la marca EINHELL que se use para fines comerciales o cualquier otro fin que produzca beneficios. Si la máquina cambia de propietario durante el periodo de cobertura, actualice la información del propietario de la máquina en **EinhellUSA.com**

### ¿QUÉ NO CUBRE?

Esta garantía no cubre ningún producto que haya sufrido un uso indebido, negligencia, o accidente, o que haya sido operado de forma contraria a las instrucciones de uso especificadas en el manual de servicio. La presente

garantía no cubre cambios estéticos que no afecten al funcionamiento.

Esta garantía solo será válida si la máquina se usa y mantiene conforme a las instrucciones, advertencias e instrucciones de seguridad indicadas en el manual de servicio. Einhell no se hará responsable del coste de ninguna reparación de garantía no autorizada. Esta garantía no cubre ningún costo o gasto incurrido por el comprador al proporcionar equipos sustitutos o servicio durante períodos razonables de avería o no utilización de este producto, mientras se espera por una pieza de repuesto o nuevo producto conforme a esta garantía.

La garantía no cubre piezas de desgaste como correas, brocas, cadenas ni dientes, que se pueden comprar en **EinhellUSA.com** o llamando al **1-866-EINHELL (1-866-346-4355)**. Las baterías están completamente cubiertas durante 90 días a partir de la fecha de compra.

La reparación, sustitución o el reembolso del precio de compra constituyen compensaciones exclusivas del comprador y única responsabilidad de Einhell conforme a esta garantía. Ningún empleado ni representante de Einhell está autorizado a realizar ninguna garantía adicional ni modificación alguna a la presente garantía que pueda ser vinculante para Einhell. Por consiguiente, el comprador no deberá ampararse en ninguna declaración adicional hecha por ningún empleado o representante de Einhell. Einhell no se hace responsable en ningún caso, ya se base en el contrato, indemnización, garantía, agravio (incluyendo negligencia), responsabilidad absoluta o de otro tipo, de ningún daño especial, indirecto, accidental o consecuentes incluyendo, sin limitaciones, la pérdida de beneficios o ingresos.

Algunos estados no permiten límites en las garantías. En dichos estados, no se aplicarán las limitaciones expuestas anteriormente.

Fuera de EE. UU. y Canadá se aplicarán otras garantías.

## Sommaire

1. Consignes de sécurité
2. Description de l'appareil et contenu de l'emballage
3. Utilisation conforme
4. Caractéristiques techniques
5. Avant la mise en service
6. Fonctionnement
7. Utilisation avec le kit de montage de scie à chaîne
8. Nettoyage, entretien et commande de pièces de rechange
9. Élimination et revalorisation
10. Conservation
11. Plan de dépannage

**Danger !**

Certaines mesures de sécurité doivent être respectées pendant l'utilisation des appareils pour empêcher les blessures et les dommages. Par conséquent, lisez attentivement le présent mode d'emploi / les consignes de sécurité. Conservez-les bien pour avoir les informations toujours à la portée de la main. Si vous devez passer l'appareil à d'autres personnes, veuillez leur remettre également le présent mode d'emploi / les consignes de sécurité. Nous ne sommes pas tenus des accidents ou dommages survenus à cause de non-respect du présent mode d'emploi et des consignes de sécurité.

**1. Consignes de sécurité****Lisez toutes les instructions**

**AVERTISSEMENT** : Pendant l'utilisation des appareils électriques de jardinage, respectez toujours les mesures de sécurité pour réduire le risque d'incendie, de choc électrique et de blessures, y compris ce qui suit :

**POUR TOUS LES APPAREILS**

- Évitez les environnements dangereux – n'utilisez les appareils dans des endroits humides ou mouillés.
- Ne les utilisez pas sous la pluie.
- Éloignez les enfants, toutes les personnes et les animaux doivent être tenus à distance de la zone de travail.
- Habillez-vous correctement – ne portez pas de vêtements lâches ou des bijoux. Ils peuvent être happés par les pièces mobiles. Pour les travaux à l'extérieur, il est recommandé de porter des vêtements de protection, d'utiliser des gants de travail, de porter des pantalons longs, une chemise à manches longues et des chaussures de sécurité. Portez un couvre-chef pour recouvrir des cheveux longs.
- Utilisez des lunettes de sécurité – utilisez toujours un masque facial ou anti-poussière si l'endroit où vous travaillez est poussiéreux. Le but des règles de sécurité consiste à attirer votre attention sur les dangers potentiels. Les symboles de sécurité et leurs explications exigent votre attention et votre compréhension. Les avertissements de sécurité ne suppriment pas le risque à eux seuls. Les instructions ou avertissements qu'ils donnent ne remplacent pas les mesures adéquates de prévention d'accidents.
- Utilisez l'appareil approprié – n'utilisez pas l'appareil dans un autre but que celui pour lequel il a été conçu.
- Ne forcez pas l'appareil – il fonctionnera mieux et avec une moindre probabilité d'un risque ou d'une blessure à la vitesse pour laquelle il a été conçu.
- Ne vous penchez pas trop – gardez une bonne position et l'équilibre à tout instant.
- Restez vigilant. Usez du bon sens. N'utilisez pas l'appareil si vous êtes fatigué ou si vous vous trouvez sous l'emprise de drogues, d'alcool ou de médicaments.
- Si vous n'utilisez pas l'appareil, rangez-le dans un local sec inaccessible aux enfants.
- Entretenez l'appareil avec soin. Suivez les instructions de lubrification et de remplacement des accessoires. Gardez les poignées sèches, propres et exemptes d'huile et de graisse.
- Vérifiez les pièces endommagées. Avant d'utiliser l'appareil, assurez-vous que les dispositifs de sécurité sont intacts. N'utilisez jamais un outil sans son dispositif de sécurité. Vérifiez l'alignement de pièces mobiles, le coincement de pièces mobiles.
- Examinez les pièces cassées ou défectueuses qui peuvent affecter le fonctionnement en toute sécurité de votre outil. Une protection ou une autre pièce endommagée doit être correctement réparée ou remplacée par un centre de service autorisé, sauf indication contraire dans le présent mode d'emploi.
- Rechargez uniquement avec un chargeur spécifié par le fabricant. Un chargeur qui convient pour un type de bloc de batterie peut créer un risque d'incendie s'il est utilisé avec un autre bloc de batterie.
- Utilisez les appareils uniquement avec les blocs de batterie spécifiquement désignés. L'utilisation de tout autre bloc de batterie peut créer un risque de blessure et d'incendie.
- Lorsque le bloc de batterie n'est pas utilisé, conservez-le à l'écart d'autres objets métalliques, comme les trombones, les pièces de monnaie, les clés, les clous, les vis ou autres petits objets métalliques qui pourraient créer une connexion entre les bornes. La mise en court-circuit des bornes de batteries peut causer des brûlures ou un incendie.
- Dans des conditions abusives, un liquide peut sortir de la batterie, évitez le contact. En cas de contact accidentel, rincez avec de l'eau. En cas de contact du liquide avec les yeux,

consultez un médecin. Le liquide sorti de la batterie peut causer des irritations ou des brûlures. (Ce conseil est considéré comme juste pour les types de piles conventionnels de NiMh, NiCd, plomb-acide et lithium-ion. Si ce conseil est inapproprié pour une conception de cellule différentes de celle-ci, le conseil judicieux peut être appliqué.)

- N'utilisez pas un bloc de batterie ou un appareil endommagés ou modifiés. Les batteries endommagées ou modifiées peuvent agir de manière imprévisible et donner lieu à un incendie, une explosion ou un risque de blessure.
  - Suivre toutes les instructions de charge et ne pas charger le bloc de batterie ou l'appareil en dehors de la plage de température spécifiée dans les instructions. Un mauvais chargement ou un chargement à des températures en dehors de la plage spécifiée peut endommager la batterie et augmenter les risques d'incendie.
  - Confiez le service à un réparateur qualifié qui utilise uniquement les pièces de rechange identiques. Cela permettra de maintenir la sécurité du produit.
  - Ne modifiez pas ni n'essayez pas de réparer l'appareil ou le bloc de batterie (si applicable), sauf exception indiquée dans les instructions d'utilisation et d'entretien.
- 1. POUR TOUS LES APPAREILS DE JARDINAGE SANS FIL**
- Ne chargez pas l'appareil sous la pluie ou dans des locaux humides.
  - N'utilisez pas les appareils à batterie sous la pluie. Retirez ou déconnectez toujours le bloc de batterie avant l'ajustement, le nettoyage, le service ou le transport le appareil de jardin.
- 2. POUR TOUS LES PRODUITS SANS FIL AVEC UNE BATTERIE AMOVIBLE OU SÉPARABLE :**
- Utilisez uniquement la batterie de type et de taille suivants :  
 18V 1,5Ah P-X-C batterie Li-ion  
 18V 2,0Ah P-X-C batterie Li-ion  
 18V 2,6Ah P-X-C Plus batterie Li-ion  
 18V 3,0Ah P-X-C batterie Li-ion  
 18V 4,0Ah P-X-C batterie Li-ion  
 18V 5,2Ah P-X-C Plus batterie Li-ion
  - Ne jetez pas la batterie dans le feu. La cellule peut exploser. Consultez les règlements locaux pour connaître les instructions d'élimination spécifiques possibles.
- N'ouvrez ni n'abîmez la batterie. L'électrolyte libéré est corrosif et peut être dangereux pour les yeux ou la peau. Il peut être toxique s'il est avalé.
  - Manipulez la batterie avec précaution afin de ne pas la court-circuiter avec des matériaux conducteurs, tels que les bagues, les bracelets et les clés. La batterie ou le conducteur peuvent surchauffer et causer des brûlures.
- 3. ÉVITEZ UN DÉMARRAGE INTEMPESTIF – N'INSÉREZ PAS LA BATTERIE ALORS QUE VOTRE DOIGT EST SUR L'INTERRUPTEUR. ASSUREZ-VOUS QUE L'INTERRUPTEUR EST SUR L'ARRÊT EN INSÉRANT LA BATTERIE.**

#### AVERTISSEMENTS DE SÉCURITÉ GÉNÉRAUX POUR LE BLOC DE BATTERIE

- Éliminez la batterie usée vite et promptement. Lors de l'élimination des piles secondaires ou des batteries, gardez les piles ou les batteries de différents systèmes électrochimiques séparément les unes des autres.
- Gardez la batterie hors de portée des enfants dans l'emballage d'origine jusqu'à son utilisation.
- Ne mettez jamais les batteries dans la bouche. Si elles sont avalées, contactez immédiatement le centre antipoison local.
- PRUDENCE – La batterie utilisée dans cet appareil peut présenter un risque d'incendie ou de brûlure chimique en cas de mauvaise manipulation. Remplacez uniquement la batterie de marque principale Einhell / gazon. L'utilisation d'une autre batterie peut présenter un risque d'incendie ou d'explosion.
- AVERTISSEMENT : N'utilisez pas un bloc de batterie ou un appareil visiblement endommagé.
- AVERTISSEMENT : Ne modifiez ni n'essayez de réparer l'appareil ou le bloc de batterie.
- **LES BATTERIES DOIVENT ÊTRE RECYCLÉES.**
- Ne court-circuitez une cellule ou une batterie. Ne conservez pas les piles ou les batteries au hasard dans une boîte ou un tiroir ou elles peuvent court-circuiter entre elles ou être court-circuitées par les matériaux conducteurs.
- N'exposez pas les piles ou les batteries aux chocs mécaniques.
- Gardez les piles et les batteries dans un endroit propre et sec. Essuyez les bornes des piles ou des batteries avec un linge propre et

sec si elles deviennent sales.

- Ne gardez pas les piles et les batteries chargées si vous ne les utilisez pas.
- Conservez la pile et la batterie d'origine. N'utilisez pas d'autres chargeurs que ceux qui sont spécifiquement fournies pour être utilisés avec l'équipement. Les piles et les batteries secondaires doivent être cherchées avant l'utilisation. Utilisez toujours le chargeur correct et référez-vous aux instructions du fabricant ou au mode d'emploi de l'équipement pour consulter les instructions de chargement correctes.
- Si possible, retirez la batterie de l'équipement lorsque vous ne l'utilisez pas.
- Empêchez tout démarrage non intentionnel. Assurez-vous que le bouton marche-arrêt est en position OFF avant de connecter le bloc de batterie, de prendre et de transporter l'outil. Le transport de l'appareil avec le doigt sur le bouton marche-arrêt ou la mise sous tension des appareils électriques dont le bouton marche-arrêt est en position ON peuvent causer des accidents.
- Déconnectez le bloc de batterie de l'appareil avant de procéder aux ajustements, de remplacer les accessoires ou de ranger l'appareil. De telles mesures préventives réduisent le risque de démarrage intempestif de l'appareil.
- Dans des conditions abusives, un liquide peut sortir de la batterie, évitez le contact. En cas de contact accidentel, rincez avec de l'eau. En cas de contact du liquide avec les yeux, consultez un médecin. Le liquide sorti de la batterie peut causer des irritations ou des brûlures.
- Confiez le service à un réparateur qualifié qui utilise uniquement les pièces de rechange identiques. Cela permettra de maintenir la sécurité du produit.
- **Protégez votre batterie de l'humidité, de la pluie et de l'humidité de l'air élevée.** L'humidité, la pluie et l'humidité de l'air élevée peuvent endommager dangereusement les cellules. En aucun cas, ne chargez ni ne travaillez avec la batterie qui a été exposée à l'humidité, à la pluie ou à l'humidité de l'air élevée – remplacez-les immédiatement !

#### **CONSIGNES DE SÉCURITÉ IMPORTANTES POUR LE CHARGEUR**

**AVERTISSEMENT** : Ce produit peut contenir du plomb, du phtalate ou autres produits chimiques reconnus par l'État de Californie comme cause de cancer, d'anomalies congénitales et de lé-

sions de l'appareil reproducteur. Veuillez laver vos mains après l'utilisation.

#### **Avertissements de sécurité pour la perche élagueuse**

- 1) Gardez toutes les parties de votre corps à l'écart de la chaîne de scie. N'enlevez pas le matériau coupé ni ne tenez pas le matériau à couper lorsque les couteaux bougent. Assurez-vous que l'interrupteur soit éteint en dégageant le matériau coincé. La chaîne de scie continue à tourner après la désactivation de l'interrupteur. Un moment d'inattention pendant l'utilisation de l'élagueuse à portée étendue peut entraîner de graves blessures.
- 2) Portez l'élagueuse à portée étendue par la poignée avec la chaîne de scie arrêtée. Posez toujours le couvercle protecteur sur la chaîne de scie pendant le transport et le rangement de l'élagueuse à portée étendue. Un maniement correct de l'élagueuse à portée étendue réduira le risque de blessures causées par la chaîne de scie.
- 3) Tenez l'élagueuse à portée étendue uniquement par les surfaces de préhension isolées parce que la chaîne de scie peut entrer en contact avec le câblage dissimulé ou son propre fil. Une chaîne de scie en contact avec un câble sous tension peut mettre sous tension des pièces métalliques exposées de l'élagueuse à portée étendue et pourrait causer un choc électrique à l'opérateur. Exception : « ou son propre fil » peut être supprimé pour les appareils sans fil.
- 4) N'utilisez pas l'élagueuse à portée étendue par mauvais temps, en particulier lorsqu'il y a un risque de foudre. Cela diminue le risque d'être frappé par la foudre.
- 5) Pour réduire le risque d'électrocution, n'utilisez jamais l'appareil à proximité des lignes électriques. L'utilisation à proximité des lignes électriques ou le contact avec celles-ci pourrait causer une grave blessure ou un choc électrique mortel.
- 6) Manipulez toujours l'élagueuse à portée étendue avec les deux mains. Tenez l'élagueuse à portée étendue avec les deux mains pour éviter une perte de contrôle.
- 7) Portez toujours un casque pendant l'utilisation de l'élagueuse à portée étendue. La chute de débris peut causer de graves blessures.

Cet appareil n'est pas prévu pour être utilisé par des personnes (y compris les enfants) avec des capacités physiques, sensorielles ou mentales limitées ou manquant d'expérience et / ou de connaissances, à moins qu'elles ne soient surveillées ou instruites du fonctionnement de l'appareil par la personne chargée de leur sécurité. Les enfants doivent être surveillés pour s'assurer qu'ils ne joueront pas avec l'appareil.

**Explication des symboles sur l'appareil (voir la fig. 29) :**

1. Avertissement !
2. Porter la protection des yeux / de la tête et de l'audition !
3. Protéger l'appareil contre la pluie ou l'humidité !
4. Longueur de coupe maximale de la perche élagueuse
5. Danger de mort par électrocution. La distance par rapport aux lignes électriques doit être d'au moins 10 m (33 pieds) !
6. Lire le mode d'emploi avant la mise en service !
7. Porter des chaussures robustes !
8. Prenez garde à la chute et à la projection des pièces !
9. Garder la distance.
10. Sens du mouvement de la chaîne et des dents de scie de la perche élagueuse
11. Porter des gants de protection.

**CONSERVER CES INSTRUCTIONS**

**2. Description de l'appareil et contenu de l'emballage**

**2.1 Description de l'appareil**

1. Poignée
2. Interrupteur de marche et d'arrêt
3. Verrouillage de mise en marche
4. Bouton de blocage du réglage d'inclinaison de la poignée
5. Écrou de montage
6. Tube
7. Bandoulière avec déverrouillage de sécurité
8. Poignée supplémentaire
9. Écrou de verrouillage du tube télescopique 1
10. Tube télescopique 1
11. Écrou de verrouillage du tube télescopique 2
12. Tube télescopique 2 avec carter du moteur
13. Bouton de blocage du réglage d'inclinaison du carter du moteur

14. Kit de montage de la scie à chaîne
15. Guide
16. Chaîne de scie
17. Protège-guide
18. Logement de la poignée
19. Mousqueton
20. Sangle de fixation avec boucles métalliques
21. Vis hexagonale
22. Verrouillage
23. Support de poignée
24. Boutons de blocage
25. Carter du moteur
26. Bouton de verrouillage
27. Vis de fixation
28. Pignon
29. Vis de tension de la chaîne
30. Réservoir
31. Couvercle du réservoir d'huile
32. Touche d'enclenchement
33. Témoin de charge de la batterie
34. Bouton de témoin de charge de la batterie

**2.2 Contenu d'emballage**

Veillez contrôler l'intégralité de l'article au moyen du contenu d'emballage décrit. En cas de pièces manquantes, veuillez contacter notre centre de service à la clientèle ou le point de vente où vous avez acheté l'appareil au plus tard dans les 5 jours ouvrables à compter de l'achat de l'article en présentant un ticket de caisse valable.

- Ouvrez l'emballage et retirez-en prudemment l'appareil.
- Enlevez le matériau d'emballage ainsi que les sécurités d'emballage et de transport (le cas échéant).
- Contrôlez l'intégralité du contenu d'emballage.
- Vérifiez si l'appareil et les accessoires présentent des dommages dus au transport.
- Si possible, conservez l'emballage jusqu'à l'expiration de la durée de garantie.

**Danger !**

**L'appareil et le matériau d'emballage ne sont pas un jouet ! Les enfants ne doivent pas jouer avec des sachets en plastique, des films ou de petites pièces ! Il existe le risque d'ingestion et de suffocation !**

- Poignée complète
- Tube avec l'unité motrice complet
- Bandoulière avec déverrouillage de sécurité
- Kit de montage de la scie à chaîne
- Guide
- Chaîne de scie
- Protège-guide
- Mode d'emploi d'origine avec consignes de sécurité

#### Accessoires disponibles séparément

- 18V 1,5Ah P-X-C batterie Li-ion
- 18V 2,0Ah P-X-C batterie Li-ion
- 18V 2,6Ah P-X-C Plus batterie Li-ion
- 18V 3,0Ah P-X-C batterie Li-ion
- 18V 4,0Ah P-X-C batterie Li-ion
- 18V 5,2Ah P-X-C Plus batterie Li-ion
- 18V P-X-C chargeur rapide à double raccord
- 18V P-X-C chargeur rapide

Explorez les options de batterie + chargeur sur [einhellUSA.com](http://einhellUSA.com)

### 3. Utilisation conforme


#### Perche élagueuse (scie à chaîne à manche télescopique)

Le kit de montage de la scie à chaîne ne doit être monté que sur la tête du moteur fournie. La scie à chaîne à manche télescopique est prévue pour l'ébranchage des arbres. Elle ne convient pas pour le sciage de grosses branches ni pour l'abattage des arbres, encore moins pour le sciage d'autres matériaux en bois.

La machine ne doit être utilisée que conformément à sa destination. Toute autre utilisation dépassant ce cadre n'est pas conforme. C'est l'utilisateur / l'opérateur qui est responsable de tous les dommages ou blessures de toute nature en résultant et non pas le fabricant.

Veillez noter que nos appareils n'ont pas été conçus pour une utilisation commerciale, artisanale ou industrielle. Nous n'accordons aucune garantie si l'appareil est utilisé dans des entreprises commerciales, artisanales ou industrielles ou pour des activités équivalentes.

### 4. Caractéristiques techniques

Alimentation électrique du moteur: ..... 18 V   
 Épaisseur de coupe max.: ..... 17 cm (6,7 po.)  
 Longueur du guide-chaîne: ..... 20,3 cm (8 po.)  
 Écartement de la chaîne: ..... 9,5 mm (3/8 po.), 33 dents  
 Épaisseur de la chaîne: ..... 1,3 mm (0,050 po.)  
 Chaîne de scie: ..... Oregon 91P033X  
 Guide: ..... Oregon 080NDEA041  
 Vitesse de coupe à une vitesse nominale: ..... 3,76 m/s (12,34 ft/sec.)  
 Manche télescopique: ..... 1,83 m et 2,77 m (6 po. et 9 po.)  
 Contenance du réservoir d'huile: ..... 125 ml (4,23 fl oz)  
 Tête multiangles: ..... -60°, -40°, -20°, 0°, 20°, 40°, 60°  
 Poignée principale multiangles: ..... -40°, -20°, 0°, 20°  
 Poids (outil seulement): ..... 4 kg (8,8 lb)

#### Limitez à un minimum l'émission de bruit et les vibrations !

- Utilisez uniquement des appareils irréprochables.
- Entretenez et nettoyez l'appareil régulièrement.
- Adaptez votre méthode de travail à l'appareil.
- Ne surchargez pas l'appareil.
- Faites examiner l'appareil le cas échéant.
- Éteignez l'appareil lorsqu'il n'est plus utilisé.
- Portez des gants.

### 5. Avant la mise en service

**Attention !** Ne montez la batterie qu'après avoir complètement assemblé l'appareil et réalisé tous les réglages. Pour éviter des blessures, portez constamment des chaussures de protection pendant les travaux sur l'appareil. Déballiez soigneusement toutes les pièces et vérifiez leur intégralité (fig. 1).

#### 5.1 Montage en général

- Fig. 2-3 : Placez le tube (6) sur le logement de poignée (18) jusqu'au marquage et vissez-le à l'aide de l'écrou de montage (5).
- Fig. 4 : Accrochez le mousqueton (19) de la bandoulière (7) sur la sangle de fixation (20).
- Fig. 5 : La poignée supplémentaire (8) comprend une vis hexagonale (21) et un verrouil-



lage (22). Elle doit être montée sur le support de poignée (23), comme indiqué. Poussez, pour ce faire, la vis hexagonale (21) dans la poignée supplémentaire et vissez-la au verrouillage (22).

## 5.2 Montage des scies à chaîne – kit de montage (utilisation en tant que perche élagueuse)

### 5.2.a Montage du guide et de la chaîne à scie

- Desserrer la vis de fixation (27) du capot de la roue dentée (fig. 6).
- Retirer le capot de la roue dentée.
- Placer la chaîne dans la rainure périphérique du guide (fig. 7).
- Placer le guide et la chaîne dans le logement de la scie à chaîne, comme illustré (fig. 8). Ce faisant, enrouler la chaîne autour du pignon (fig. 8 / pos. 28).
- Mettre le capot de la roue dentée et serrer à la main la vis de fixation (fig. 9 / pos. 27).

Ne visser fermement la vis de fixation qu'après le réglage de la tension de chaîne (voir le point 5.2.b).

### 5.2.b Tendrer la chaîne de scie

**Attention !** Retirer toujours la batterie de l'appareil avant de procéder au contrôle et aux travaux de réglage. Pour éviter des blessures, portez constamment des chaussures de protection pendant les travaux sur la scie à chaîne.

- Desserrer de quelques tours la vis de fixation (27) du capot de la roue dentée (fig. 6).
- Régler la tension de chaîne au moyen de la vis de tension de chaîne (fig. 10 / pos. 28). La rotation vers la droite accroît la tension de scie, la rotation vers la gauche décroît la tension de scie. La tension de la chaîne est correcte lorsqu'elle peut être soulevée d'env. 2 mm (0,08 pouce) au milieu du guide (fig. 11).
- Serrer la vis de fixation (27) du capot de la roue dentée (fig. 9).

**Remarque !** Tous les maillons de chaîne doivent se trouver correctement dans la rainure de guidage du guide.

### Indications pour tendre la chaîne :

La chaîne de scie doit être tendue correctement pour garantir un fonctionnement sûr. La tension est optimale lorsque la chaîne de scie peut être soulevée de 2 mm (0,08 pouce) au milieu du guide. Puisque la chaîne de scie s'échauffe par le sciage, ce qui l'allonge, vérifiez toutes les 10

min au plus la tension de chaîne et ajustez-la en cas de besoin. C'est notamment le cas des chaînes de scie neuves. Détendez la chaîne de scie le travail fini parce qu'elle se raccourcit en se refroidissant. Ainsi, vous prévenez les dommages à la chaîne.

### 5.2.c Lubrification de la chaîne de scie

**Attention !** Retirer toujours la batterie de l'appareil avant de procéder au contrôle et aux travaux de réglage. Pour éviter des blessures, portez constamment des chaussures de protection pendant les travaux sur la scie à chaîne.

**Remarque !** N'utilisez jamais la chaîne sans huile pour chaînes de scie ! L'utilisation de la scie à chaîne sans huile pour chaînes de scie ou si le niveau d'huile est inférieur au regard endommage la scie à chaîne !

**Remarque !** Tenir compte des conditions thermiques :

Différentes températures ambiantes exigent des lubrifiants de viscosité extrêmement variable. À basses températures, vous avez besoin d'huiles fluides (faible viscosité) pour créer une pellicule lubrifiante suffisante. Or, si vous utilisez la même huile en été, elle se liquéfiera uniquement à cause des températures élevées. Cela peut rompre la pellicule lubrifiante au risque de surchauffer et d'endommager la chaîne. Qui plus est, l'huile lubrifiante brûle et provoque une pollution superflue.

### Remplir le réservoir d'huile (fig. 12) :

- Déposer la scie à chaîne sur une surface plane.
- Nettoyer la zone autour du couvercle du réservoir d'huile (fig. 12 / pos. 31) et l'ouvrir ensuite.
- Remplir le réservoir (fig. 12 / pos. 30) avec de l'huile de chaîne de scie. Ce faisant, empêchez la pénétration des salissures dans le réservoir pour ne pas obstruer le gicleur.
- Fermer le couvercle du réservoir d'huile (fig. 12 / pos. 31).

Après le montage du kit de montage de la scie à chaîne ainsi qu'en cas de non-utilisation, mettez le protège-guide (fig. 1 / pos. 17) sur le guide monté avec chaîne de scie pour éviter des blessures.

### 5.3 Régler la poignée supplémentaire (fig. 13-14)

#### a) Régler l'inclinaison de la poignée supplémentaire

Ouvrez le verrouillage (22). Réglez l'inclinaison souhaitée de la poignée supplémentaire (8). Fermez le verrouillage.

#### b) Décaler la poignée supplémentaire

Ouvrez le verrouillage et décalez la poignée supplémentaire (8) à l'endroit souhaité. Fermez le verrouillage.

### 5.4 Mettre la bandoulière

**Avertissement !** Portez toujours une bandoulière pendant le travail. Éteignez toujours l'appareil avant de détacher la bandoulière. Il existe un risque de blessure.

1. Accrochez le mousqueton (fig. 4 / pos. A) sur la sangle de fixation (20).
2. Passez la bandoulière (fig. 15 / pos. 7) par-dessus votre épaule.
3. Ajustez la longueur de la sangle de sorte que la sangle de fixation soit à la hauteur des hanches (fig. 15).
4. La bandoulière est munie d'une boucle. S'il est nécessaire de déposer l'appareil rapidement, pressez les crochets (fig. 16).
5. Pour changer la position de la sangle sur l'appareil, pressez les deux boucles métalliques de la sangle de fixation (fig. 4 / pos. 20) l'une contre l'autre et décalez la sangle de fixation sur le tube.

### 5.5 Régler l'inclinaison de la poignée (fig. 17)

Appuyez sur les deux boutons de blocage (24) et réglez l'inclinaison de la poignée (1) en 4 crans d'arrêt.

### 5.6 Régler l'inclinaison du carter du moteur (fig. 18)

Appuyez sur les deux boutons de blocage (24) et réglez l'inclinaison du carter du moteur (25) en 7 crans d'arrêt.

### 5.7 Régler le tube télescopique (fig. 19)

1. Desserrez les écrous de verrouillage du tube télescopique (9 + 11) en les tournant vers la gauche.
2. Sortez les tubes télescopiques (10 + 12) à la hauteur nécessaire pour le travail.
3. Resserrez les écrous de verrouillage du tube télescopique (9 + 11) en les tournant vers la droite.

### 5.8 Monter le kit de montage de la scie à chaîne sur la tête de moteur (fig. 20-21)

Pour éviter les blessures, placez le protège-guide sur le guide monté avec la chaîne de scie.

1. Positionnez le kit de montage de la scie à chaîne et la tête de moteur de manière à faire concorder les flèches tracées sur les deux pièces.
2. Pressez le kit de montage de la scie à chaîne contre la tête du moteur. Cela décalera le bouton de verrouillage (26) vers la droite. Tournez le kit de montage de la scie à chaîne vers la droite. Le kit de montage de la scie à chaîne se verrouille sur la tête du moteur et se fixe. Le bouton de verrouillage (26) sera alors pressé vers la gauche.

### 5.9. Tourner de 90 ° le kit de montage de la scie à chaîne sur la tête du moteur (fig. 22)

Pour éviter les blessures, placez le protège-guide sur le guide monté avec la chaîne de scie.

1. Tirez le bouton de verrouillage (26) vers la droite.
2. Tournez de 90 ° le kit de montage de la scie à chaîne vers la gauche. Le kit de montage de la scie à chaîne se verrouille sur la tête du moteur et se fixe.

### 5.10 Retirer le kit de montage de la scie à chaîne sur la tête de moteur (fig. 20-21)

Pour éviter les blessures, placez le protège-guide sur le guide monté avec la chaîne de scie.

1. Tirez le bouton de verrouillage (26) vers la droite.
2. Tournez le kit de montage de la scie à chaîne jusqu'à ce que les flèches sur la tête du moteur et la scie à chaîne concordent et qu'il puisse être retiré.

### 5.11 Montage de la batterie (fig. 23 - 24)

Appuyez sur la touche d'enclenchement (32) de la batterie, comme il est montré dans la fig. 23, et poussez la batterie dans le compartiment prévu à cette fin. Dès que la batterie est en position montrée à la fig. 24, prendre garde à l'enclenchement de la touche de verrouillage ! Le démontage de la batterie s'effectue dans l'ordre inverse !

## 6. Fonctionnement

Veillez tenir compte des dispositions légales de la réglementation de la protection sonore, qui peuvent varier d'un lieu à un autre.

**Attention !** Portez toujours une bandoulière pendant le travail. Éteignez toujours l'appareil avant de détacher la bandoulière. Il existe un risque de blessure.

Passez la bandoulière comme décrit précédemment, montez le kit de montage souhaité et réglez l'appareil en fonction de vos besoins.

### Mise en marche / à l'arrêt

#### Mise en marche

- Tenir l'appareil par les poignées avec les deux mains (les pouces sous la poignée supplémentaire)
- Pousser vers l'avant et tenir le blocage de mise en marche (fig. 3 / pos. 3).
- Mettre en marche l'appareil à l'aide de l'interrupteur de marche / arrêt (fig. 3 / pos. 2). Le blocage de mise en marche peut maintenant être relâché.

#### Mise à l'arrêt

Relâcher l'interrupteur de marche / arrêt (fig. 3 / pos. 2).

### 6.1 Chargement de la batterie LI

Vous trouverez les instructions correspondantes dans le mode d'emploi d'origine de votre chargeur.

### 6.2 Affichage de la capacité de la batterie (image 25/Pos. 33)

Appuyez sur l'interrupteur de l'affichage de la capacité de la batterie (34). L'affichage de la capacité de la batterie (33) signale l'état de charge de la batterie au moyen de 3 LEDs.

#### Les 3 LEDs s'allument:

La batterie est complètement chargée.

#### 2 ou 1 LED(s) s'allume(nt):

La batterie a une charge résiduelle suffisante.

#### 1 LED clignote:

La batterie est déchargée, chargez la batterie.

### Toutes les LEDs clignent:

La batterie a été profondément déchargée et est défectueuse. Une batterie défectueuse ne peut plus être utilisée et chargée!

## 7. Utilisation avec le kit de montage de scie à chaîne

### Préparation

Avant chaque utilisation et en cas d'endommagement éventuel, vérifiez les points suivants pour pouvoir travailler avec plus de sécurité :

### État de la scie à chaîne

Avant l'utilisation, vérifiez si la scie à chaîne présente des dommages sur le boîtier, le cordon d'alimentation, la chaîne de scie et le guide. N'utilisez jamais un appareil manifestement endommagé.

### Réservoir d'huile

Niveau du réservoir d'huile. Pendant l'utilisation également, vérifiez s'il y a toujours suffisamment d'huile. Pour ne pas endommager la scie à chaîne, n'utilisez jamais la scie s'il n'y a pas d'huile ou si le niveau d'huile est tombé au-dessous du marquage de min. En moyenne, un remplissage suffit pour 20 minutes, en fonction des pauses et de la charge.

### Chaîne de scie

Tension de la chaîne, état des tranchants. Plus la chaîne de scie est aiguisée, plus le fonctionnement de la scie à chaîne est aisé et contrôlable. Il en va de même pour la tension de chaîne. Vérifiez la tension de la chaîne aussi pendant le fonctionnement toutes les 10 minutes au plus pour accroître votre sécurité ! Les chaînes de scie neuves notamment sont sujettes à une dilatation accrue.

### Vêtement de protection

Portez impérativement des vêtements de protection près du corps appropriés, tels que les pantalons anti-coupure, les gants et les chaussures de sécurité.

### Protection auditive et lunettes de protection

Portez un casque de protection avec une protection auditive et faciale intégrée. Il protège contre la chute des branches et les branches rebondissantes.

### Utilisation en toute sécurité

- Pour garantir une utilisation en toute sécurité, un angle de travail maximal de 60° est prescrit.
- Ne jamais stationner au-dessous de la branche à scier.
- Soyez prudent en sciant les branches sous tension et du bois qui éclate.
- Risque de blessure possible par la chute de branches et des éclats de bois projetés !
- Pendant l'utilisation de l'appareil, tenir à distance les tiers et les animaux.
- L'appareil n'est pas protégé contre les électrocutions en cas de contact avec les lignes électriques à haute tension. Gardez une distance minimale de 10 m (33 pieds) par rapport aux lignes sous tension. Il existe un danger de mort par électrocution !
- Sur la pente, se tenir toujours au-dessus ou à côté de la branche à scier.
- Tenir l'appareil au plus près du corps. Cela vous offre le meilleur équilibre.

### Techniques de sciage

- Lors de l'ébranchage, tenez l'appareil à un angle maximal de 60° par rapport à l'horizontale pour ne pas être frappé par une branche qui tombe (fig. 28).
- Sciez d'abord les branches inférieures de l'arbre. Cela facilite la chute des branches coupées.
- À la fin de la coupe, le poids de la scie pour l'opérateur augmente brusquement parce qu'elle n'est plus appuyée contre la branche. Il y a le risque de perdre le contrôle de la scie.
- Ne tirez la scie de la coupe que lorsque la chaîne de scie est en mouvement. Cela empêche le blocage.
- Ne sciez pas avec la pointe du guide.
- Ne sciez pas à la naissance épaisse de la branche. Cela empêche la cicatrisation de l'arbre.

### Scier de petites branches (fig. 26) :

Posez la surface de butée de la scie sur la branche. Cela empêche le recul de la scie au début de la coupe. Guidez la scie avec une légère pression de haut en bas à travers la branche.

### Scier des branches plus grandes et plus longues (fig. 27) :

Faites une coupe de délestage sur de grosses branches.

Sciez d'abord de bas en haut avec le côté supérieur du guide 1/3 du diamètre de la branche (fig. 27 / point 1). Ensuite, sciez de haut en bas sur la première coupe avec le côté inférieur du guide (fig. 27 / point 2).

Sciez les branches longues par sections pour garder le contrôle sur le lieu d'impact.

### Recul

L'on entend par le recul le rebondissement soudain de la scie à chaîne en mouvement. Le plus souvent en sont la cause le contact de la pièce à usiner avec la pointe du guide ou le coincement de la chaîne de scie.

De grandes forces se déploient brusquement lors du recul. C'est pourquoi la scie de chaîne réagit généralement de manière incontrôlée. S'ensuivent souvent de graves blessures de l'opérateur et des personnes l'entourant. Le risque d'un recul est le plus grand si vous appliquez la scie dans la zone de la pointe du guide parce que l'effet de levier y est le plus fort. Pour cette raison, appliquez la scie toujours de façon aussi plate que possible.

### Danger !

- Veillez toujours sur la bonne tension de scie !
- N'utilisez que des scies à chaîne irréprochables !
- Ne travaillez qu'avec une chaîne de scie aiguisée conformément aux prescriptions !
- Ne sciez jamais avec le bord supérieur ou la pointe du guide !
- Tenez toujours fermement la scie à chaîne avec les deux mains !

### Sciage du bois sous tension

Le sciage du bois qui se trouve sous tension exige une prudence particulière ! Le bois se trouvant sous tension qui sera libéré de la tension par le sciage réagit parfois de manière totalement incontrôlée. Cela peut entraîner des blessures graves, voire mortelles. Seuls les professionnels formés devraient effectuer de tels travaux.

## 8. Nettoyage, entretien et commande de pièces de rechange

### Danger !

Retirez la batterie avant tous les travaux de nettoyage et de maintenance.

### 8.1 Nettoyage

- Nettoyez régulièrement le mécanisme tendeur en soufflant dessus avec de l'air comprimé ou en l'époussetant avec une brosse. N'utilisez pas d'outils pour le nettoyage.
- Maintenez les poignées exemptes d'huile pour avoir toujours une bonne prise.
- Si la scie à chaîne ne va pas être utilisée pendant une période prolongée, enlever l'huile pour chaînes du réservoir. Plongez brièvement la chaîne de scie et le guide dans l'huile et enroulez-la ensuite dans du papier huilé.
- Ne plongez jamais l'appareil dans l'eau ou d'autres liquides pour le nettoyer.
- Enlevez les dépôts sur les protections à l'aide d'une brosse.
- Gardez les dispositifs de sécurité, les fentes d'aération et le carter du moteur aussi exempts de poussière et de salissures que possible. Frottez l'appareil avec un chiffon propre ou soufflez dessus avec de l'air comprimé à basse pression.
- Nous recommandons de nettoyer l'appareil immédiatement après chaque utilisation.
- Nettoyez l'appareil régulièrement avec un petit chiffon humide et un peu de savon noir. N'utilisez pas de détergents ni de solvants parce qu'ils peuvent attaquer les pièces en plastique de l'appareil. Veillez à ce que l'eau ne pénètre pas à l'intérieur de l'appareil. La pénétration de l'eau dans un appareil électrique augmente le risque de choc électrique.

### 8.2 Maintenance

#### 8.2.1. Kit de montage de scie à chaîne Changer la chaîne de scie et le guide

Le guide doit être remplacé lorsque la rainure de guidage du guide est usée. Procédez à cette fin comme il est décrit dans le chapitre « Montage du guide » !

### Contrôle de la lubrification automatique de la chaîne

Vérifiez régulièrement le fonctionnement de la lubrification automatique de la chaîne pour prévenir une surchauffe et l'endommagement qui en est liée du guide et de la chaîne de scie. À cette fin, dirigez la pointe du guide contre une surface lisse (planche, coupe d'un arbre) et faites tourner la scie de chaîne. Si, pendant cette procédure, vous voyez une trace d'huile croissante, la lubrification automatique de la chaîne fonctionne correctement. Si vous ne voyez pas de trace d'huile nette, veuillez vous reporter aux indications correspondantes figurant au chapitre « Dépannage » ! Si même ces indications n'aident pas, adressez-vous à notre service ou à un atelier qualifié pareillement.

**Remarque !** Ne touchez pas à la surface. Respectez une distance de sécurité suffisante d'env. 20 cm (7,9 pouces).

### Affutage de la chaîne de scie

Une utilisation efficace de la scie n'est possible que si la chaîne est en bon état et affûtée. Cela réduit le risque d'un recul. La chaîne de scie peut être réaffûtée chez chaque revendeur spécialisé. N'essayez pas d'affûter la scie par vous-même si vous n'avez pas d'outil approprié et l'expérience nécessaire.

### 8.3 Commande des pièces de rechange : Service

1. **Si votre outil électrique doit être réparé, veuillez contacter un distributeur autorisé d'Einhell USA ou appeler le centre de service à la clientèle d'Einhell USA au numéro 1-866-EINHELL (1-866-346-4355).** Seules les pièces de rechange identiques doivent être utilisées pour les réparations. Cela permet de garantir la sécurité de l'outil électrique.
2. **Si le câble du chargeur est endommagé, il doit être immédiatement remplacé pour empêcher un accident.** Pour obtenir de l'assistance, veuillez contacter le centre de service à la clientèle d'Einhell USA® au numéro 1-866-EINHELL (1-866-346-4355).

## 9. Élimination et revalorisation

L'appareil se trouve dans un emballage pour empêcher les dommages dus au transport. Cet emballage constitue une matière première et peut par conséquent être réutilisé ou peut être recyclé. L'appareil et ses accessoires sont fabriqués à partir de différents produits, comme p. ex. le métal et les matières plastiques. Ne jetez pas les appareils défectueux dans les déchets ménagers. Pour être éliminé de façon appropriée, l'appareil devrait être déposé à un lieu de collecte approprié. Si vous ne connaissez aucun lieu de collecte, informez-vous auprès de l'administration municipale.

## 10. Conservation

Conservez l'appareil et ses accessoires dans un endroit sombre, sec et exempt de gel ainsi que hors la portée des enfants. La température de conservation optimale se situe entre 41 °F et 86 °F (5 °C et 30 °C). Conservez l'outil électrique dans l'emballage d'origine.

Une réimpression ou toute autre reproduction de la documentation et des documents accompagnant les produits, même par extraits, ne sont autorisées qu'avec accord exprès d'Einhell Germany AG.

Sous réserve des modifications techniques.

## 11. Plan de dépannage

### Danger !

Mettre à l'arrêt et retirer la batterie avant le dépannage.

Le tableau ci-dessous présente des symptômes de défauts et décrit la procédure à suivre en cas de dysfonctionnement de votre appareil. Si cela ne vous aide pas à localiser et supprimer le problème, adressez-vous à votre atelier de service.

Dysfonctionnement	Cause possible	Réparation
L'appareil ne fonctionne pas	<ul style="list-style-type: none"> <li>- Batterie vide</li> <li>- Batterie mal insérée</li> </ul>	<ul style="list-style-type: none"> <li>- Charger la batterie</li> <li>- Retirer et réinsérer la batterie</li> </ul>
L'appareil fonctionne par intermittence	<ul style="list-style-type: none"> <li>- Mauvais contact externe</li> <li>- Mauvais contact interne</li> <li>- Interrupteur marche / arrêt défectueux</li> </ul>	<ul style="list-style-type: none"> <li>- Faire appel à l'atelier spécialisé</li> <li>- Faire appel à l'atelier spécialisé</li> <li>- Faire appel à l'atelier spécialisé</li> </ul>
Sécher la chaîne de scie	<ul style="list-style-type: none"> <li>- Pas d'huile dans le réservoir</li> <li>- Aération du bouchon de réservoir d'huile obstrué</li> <li>- Canal d'écoulement d'huile obstrué</li> </ul>	<ul style="list-style-type: none"> <li>- Ajouter de l'huile</li> <li>- Nettoyer le bouchon de réservoir d'huile</li> <li>- Dégager le canal d'écoulement d'huile</li> </ul>
Chaîne / rail de guidage chaud	<ul style="list-style-type: none"> <li>- Pas d'huile dans le réservoir</li> <li>- Aération du bouchon de réservoir d'huile obstrué</li> <li>- Canal d'écoulement d'huile obstrué</li> <li>- Chaîne émoussée</li> <li>- Chaîne trop tendue</li> </ul>	<ul style="list-style-type: none"> <li>- Ajouter de l'huile</li> <li>- Nettoyer le bouchon de réservoir d'huile</li> <li>- Dégager le canal d'écoulement d'huile</li> <li>- Réaffûter ou remplacer la chaîne</li> <li>- Vérifier la tension de chaîne</li> </ul>
La scie à chaîne arrache, vibre ou ne coupe pas correctement	<ul style="list-style-type: none"> <li>- Tension de chaîne trop lâche</li> <li>- Chaîne émoussée</li> <li>- Chaîne usée</li> <li>- Les dents de scie pointent dans la mauvaise direction</li> </ul>	<ul style="list-style-type: none"> <li>- Régler la tension de chaîne</li> <li>- Réaffûter ou remplacer la chaîne</li> <li>- Remplacer la chaîne</li> <li>- Monter la chaîne de scie avec les dents dans la bonne direction</li> </ul>

Si l'appareil ne fonctionne pas malgré les mesures de dépannage et la présence de tension, veuillez contacter le service à la clientèle, voir le point 8.3

# Einhell®

## PROMESSE D'EINHELL À SES CLIENTS

**LA QUALITÉ PRIME.** Le nom d'Einhell est synonyme des outils performants et de la fabrication européenne de haute qualité. Des perceuses sans fil aux tondeuses à gazon électriques, Einhell USA conçoit et développe des outils électriques et de jardinage à main de pointe pour les bricoleurs, jardiniers amateurs et réparateurs.

Les équipes d'assurance de la qualité et d'ingénieurs d'Einhell USA garantissent que les produits subissent de sévères tests de qualité et de performance. Nous savons que parfois les outils solides traversent les époques dures. Si jamais vous avez un problème avec votre produit, soyez sûr que nous ferons tout notre possible pour vous rendre un outil prêt à travailler aussi dur que vous.

### ENREGISTREMENT DU PRODUIT :

Einhell vous encourage vivement d'enregistrer votre achat. Vous pouvez enregistrer en ligne sur **EinhellUSA.com**. Si vous n'enregistrez pas le produit que vous avez acheté, cela n'affectera pas vos droits de garantie. Toutefois, si vous enregistrez votre achat, Einhell pourra mieux vous servir pour tous vos besoins de client.

### QU'EST-CE QUI EST COUVERT ?

Einhell garantit au propriétaire que si cet appareil a un problème pendant une période de 2 ans à partir de la date d'achat à cause d'un défaut de matériau ou de fabrication ou en raison de l'usure normale au cours d'un usage domestique normal, Einhell enverra une pièce ou un produit de rechange, au besoin, gratuitement et sans frais de port à l'acheteur initial. Si, à la seule discrétion d'Einhell, l'appareil défectueux ne peut pas être réparé avec une pièce, Einhell soit (A) enverra gratuitement et sans frais de port un nouvel appareil, soit (B) remboursera au propriétaire la totalité du prix d'achat.

### QUI PEUT SOLLICITER LA COUVERTURE DE GARANTIE ?

Cette garantie est consentie par Einhell au propriétaire de cet appareil (un « appareil » consiste en un produit alimenté par un moteur) pour un usage domestique personnel exclusivement. Cette garantie est limitée aux trente (30) jours à compter de l'achat initial de tout produit de marque EINHELL utilisé à des fins commerciales ou à d'autres fins lucratives. Si la propriété de cet appareil change pendant la période couverte, veuillez mettre à jour l'information relative au propriétaire de l'appareil sur **EinhellUSA.com**

### QU'EST-CE QUI N'EST PAS COUVERT ?

Cette garantie ne couvre pas les produits ayant fait l'objet d'un usage abusif ou négligent, d'un manque d'entretien, ayant été impliqués dans un accident ou employés d'une façon contraire au mode d'emploi, comme c'est spécifié dans le guide d'utilisation. Cette

garantie ne couvre pas les modifications superficielles n'affectant pas la performance.

Cette garantie n'est valable que si l'appareil est utilisé et entretenu conformément aux instructions, avertissements et mises en garde figurant dans le manuel du propriétaire. Einhell ne sera pas responsable du coût des réparations de garantie non autorisées. Cette garantie ne couvre pas les coûts et dépenses engagés par l'acheteur pour se procurer un équipement ou un service de substitution pendant les périodes raisonnables de dysfonctionnement ou de non-utilisation de ce produit dans l'attente d'une pièce ou d'une unité de rechange en vertu de cette garantie.

Les pièces d'usure, comme les courroies, les vis sans fin, les chaînes et les dents, ne sont pas couvertes par cette garantie et peuvent être achetées sur **EinhellUSA.com** ou en appelant au numéro **1-866-EINHELL (1-866-346-4355)**. Les batteries sont entièrement couvertes pendant 90 jours à partir de la date d'achat.

La réparation, le remplacement et le remboursement du prix d'achat sont les seuls moyens de l'acheteur et la seule responsabilité d'Einhell au titre de cette garantie. Les employés et les représentants d'Einhell ne sont pas autorisés à concéder une garantie supplémentaire ni à apporter une modification de cette garantie susceptible d'engager Einhell. Par conséquent, l'acheteur ne devrait pas se fier aux déclarations supplémentaires faites par un employé ou un représentant d'Einhell. En aucun cas, sur la base d'un contrat, d'une indemnisation, d'une garantie, d'un tort (y compris la négligence), d'une responsabilité sans faute, etc., Einhell ne sera responsable des dommages spécifiques, indirects, accessoires ou consécutifs, y compris mais sans s'y limiter la perte de bénéfices ou de revenus.

Certains États n'autorisent pas de limitations aux garanties. Dans tels États, les limitations ci-dessus pourraient ne pas s'appliquer à vous.

D'autres garanties peuvent s'appliquer en dehors des États-Unis et le Canada.







EH 03/2020 (02)