

HAMMER DRILL



42.583.93

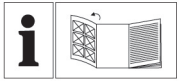
PARKSIDE

GB IE CY

HAMMER DRILL

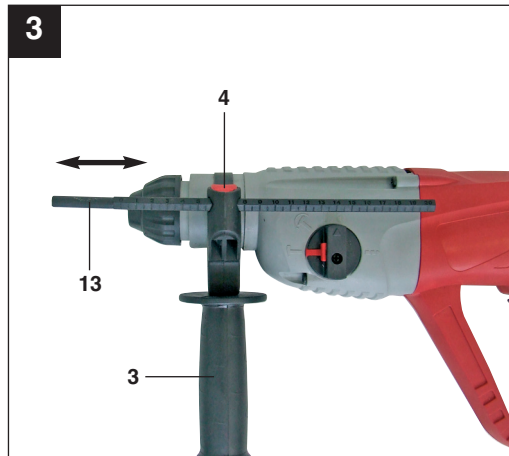
Operation and Safety Notes

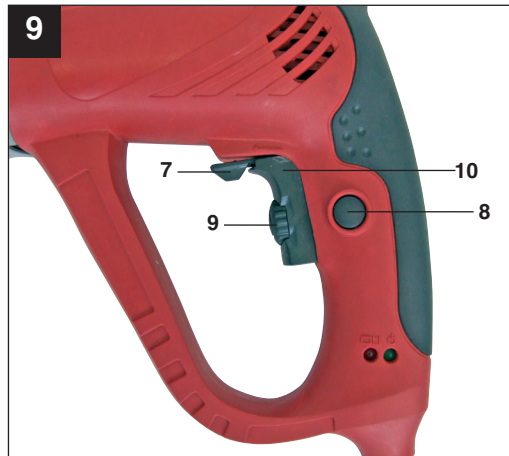
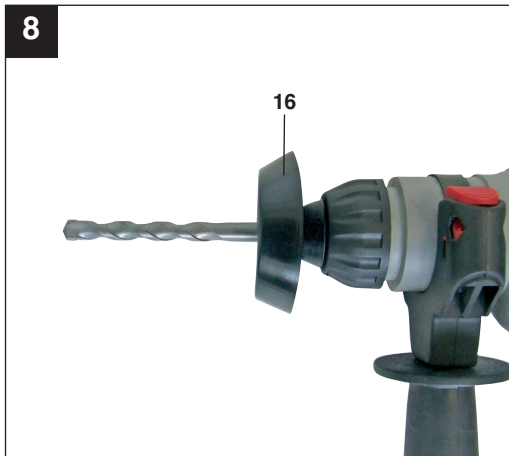
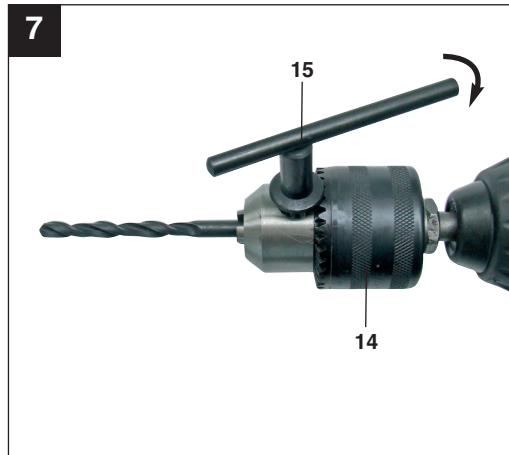
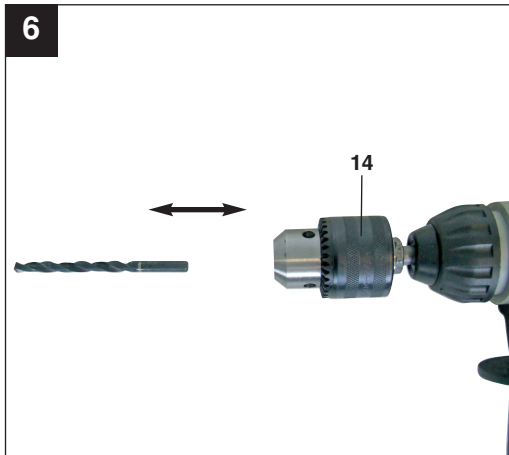
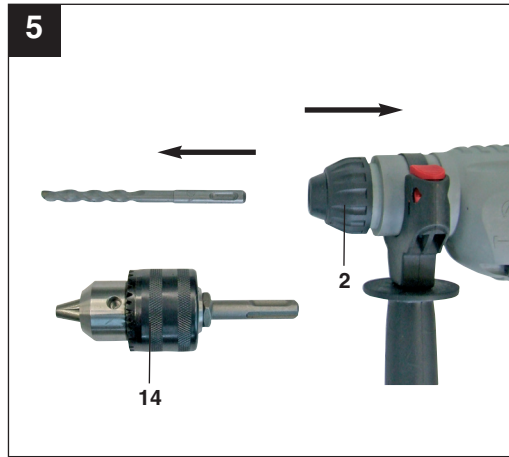
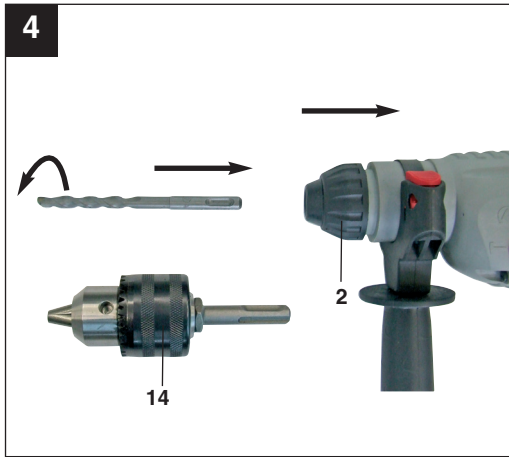


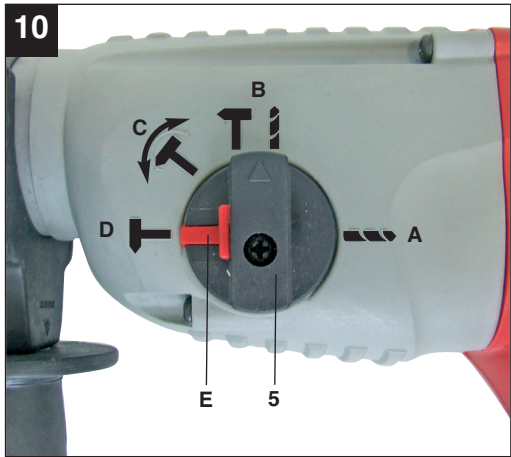


GB IE CY

Before reading, unfold the page containing the illustrations and familiarise yourself with all functions of the device.







GB/E/
CY

Table of contents:

Page

1. Introduction	8
2. Safety regulations	8-10
3. Layout	10
4. Items supplied	11
5. Proper use	11
6. Technical data	11-12
7. Before starting the equipment.....	12-13
8. Starting up.....	13-14
9. Replacing the power cable	14
10. Cleaning, maintenance and ordering of spare parts	14
11. Disposal and recycling.....	15
12. Declaration of conformity	16
13. Guarantee Certificate	17

The reprinting or reproduction by any other means, in whole or in part, of documentation and papers accompanying products is permitted only with the express consent of ISC GmbH.

Technical changes subject to change



Caution - Read the operating instructions to reduce the risk of injury



Wear ear-muffs.

The impact of noise can cause damage to hearing.



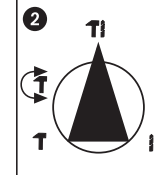
Wear a breathing mask.

Dust which is injurious to health can be generated when working on wood and other materials. Never use the device to work on any materials containing asbestos!



Wear safety goggles.

Sparks generated during working or splinters, chips and dust emitted by the device can cause loss of sight.



Select between the individual functions only when the equipment is at a standstill. If you fail to observe this point, the equipment may be damaged.

GB/E/
CY

1. Introduction

△ Important!

When using equipment, a few safety precautions must be observed to avoid injuries and damage. Please read the complete operating manual with due care. Keep this manual in a safe place, so that the information is available at all times. If you give the equipment to any other person, give them these operating instructions as well. We accept no liability for damage or accidents which arise due to non-observance of these instructions and the safety information.

2. Safety regulations

△ CAUTION!

Read all safety regulations and instructions.

Any errors made in following the safety regulations and instructions may result in an electric shock, fire and/or serious injury.

Keep all safety regulations and instructions in a safe place for future use.

The term "electric tool" used in the safety regulations refers to electric tools operated from the mains power supply (with a power cable) and to battery operated electric tools (without a power cable).

1. Workplace safety

- **Keep your work area clean and well illuminated.** Untidy or unlit work areas can result in accidents.
- **Do not use this tool in a potentially explosive environment containing combustible liquids, gases or dust.** Electric tools generate sparks, which can in turn ignite dust or vapors.
- **Keep children and other persons away from the electric tool while it is being used.** Allowing yourself to get distracted can cause you to lose control of the tool.

2. ELECTRICAL SAFETY

- **The tool's connector plug must be able to fit into the socket outlet. Do not modify the plug in any way! Do not use adapter plugs in conjunction with electrically grounded tools.** Unmodified plugs and matching socket outlets reduce the risk of an electric shock.
- **Avoid touching grounded surfaces, such as those of pipes/tubes, heaters, cookers and refrigerators.** There is an increased risk of getting an electric shock if you are electrically grounded.
- **Keep the tool away from rain and moisture/wet conditions.** Penetration of water into an electric tool increases the risk of an electric shock.
- **Do not use the cable to carry the tool, hang it up or pull the plug out of the socket. Keep the cable away from sources of heat, oil, sharp edges and moving tool parts.** Damaged or tangled cable increases the risk of an electric shock.
- **If you intend to use an electric tool outdoors, ensure that you only use extension cable that is approved for outdoor applications.** Using extension cable that is approved for outdoor applications reduces the risk of an electric shock.
- **If operation of the electric tool in a damp environment can not be avoided, use a earth-leakage circuit-breaker.** The earth-leakage circuit-breaker reduces the risk of an electric shock.

3. PERSONAL SAFETY

- **Be alert, work conscientiously and exercise appropriate caution when using the electric tool. Do not use the tool if you are tired or are under the influence of drugs/medication or alcohol.** One moment of carelessness or lack of attention when using the electric tool can cause serious bodily injury!
- **Always wear personal protective equipment (PPE), including safety**

goggles.

Wearing personal protective equipment such as a dust mask, non-slip footwear, protective headgear and ear muffs (depending upon the type of electric tool and the particular application) reduces the risk of sustaining injury.

- **Make sure that the tool cannot start up accidentally. Ensure that the electric tool is switched off before you connect the tool to the power supply and/or insert the battery, or pick up or carry the tool.**

Physically touching the switch with your finger when carrying the tool or connecting the tool to the power supply switched on can lead to accidents.

- **Remove adjusting tools/wrench(es) prior to switching on the power tool.**
A tool or wrench that is positioned inside a rotating power tool part can cause injury.
- **Avoid abnormal working postures. Make sure you stand squarely and keep your balance at all times.**

This way, you will be able to have better control over the tool in unexpected situations.

- **Wear suitable clothes. Never wear loose fitting clothes or jewelry. Keep hair, clothes and gloves away from moving parts.**
Loose clothing, dangling jewelry and long hair can be caught by moving parts.
- **If dust extraction and dust collection devices can be mounted, ensure that these are connected and are properly used.**

The use of a dust extraction system can reduce the danger posed by dust.

4. Using the treatment of electric tools

- **Do not overload your tool. Only use suitable electric tools to perform your work.**

Using the right electric tool allows you to work better and safer within the tool's quoted capacity range.

- **Do not use an electric tool whose switch is defective.**

An electric tool that no longer can be switched on or off is dangerous and must be repaired.

- **Pull the plug out of the socket and/or remove the battery before making any adjustments to the tool, changing accessories or put the tool down.**
This precaution eliminates the possibility of inadvertently starting the tool.
- **When not in use, store electric tools out of the reach of children. Do not allow those persons to use this tool who are unfamiliar with it or who have not read these instructions.**

Electric tools are dangerous when they are used by inexperienced persons.

- **Take good care of your tool. Check that moving parts properly function and do not jam, that parts are not broken off or damaged in any way and that the tool can be used to its full capacity. Have damaged parts repaired prior to using the tool.**

The cause of many accidents can be traced back to poorly maintained electric tools.

- **Keep your blades sharp and clean.**
Properly maintained blades with sharp edges jam less frequently and are easier to use.
- **Make sure to use electric tools, accessories, attachments, etc. in accordance with these instructions. Take the conditions in your work area and the job in hand into account.**
Using electric tools for applications other than those intended can lead to dangerous situations.

5. SERVICE

- **Have your tool repaired only by authorized specialists using original replacement parts.**
This will ensure that your tool remains safe to use.

**GB/IE/
CY**

Additional Safety rules

- Check that your mains voltage is the same as that marked on the rating plate.
- If you use a cable reel, run all the cable off the reel. The minimum conductor cross section used should be 1.5 mm².
- If you use this electric hammer drill outdoors you must connect it using a suitable H07RN-F 3G 1.5 mm² extension cable with a spray-water protected plug.
- Make sure of your footing, particularly when working free-handed on ladders or scaffolding.
- Use a detector to localize pipes and/or cables in walls with concealed electric, water or gas lines. Avoid any contact with conducting electrical parts or lines.
- Wear ear-muffs to protect your hearing: Risk of progressive loss of hearing!
- Wear goggles and use a breathing mask on dusty jobs.
- Never use the machine near vapors or combustible liquids.
- Always unplug the machine before cleaning it or changing drill bits etc.
- Keep the power cable safe from damage. Oil and acids can damage cables.
- Never overload the machine.
- Important!
Follow all safety regulations in your country applicable to the installation, use and maintenance of the machine.
- Chisel bits and drill bits can be inadvertently thrown out from the machine and cause serious injury:
 - Always check that the chisel bit or drill bit is firmly locked in the chuck before you start work.
 - Check the chuck for wear or damage at regular intervals.
- Do not start a hammering tool until it is pressed against a workpiece (wall, ceiling, etc.).
- Always unplug the hammer drill when you have finished working and remove the chisel bit or drill bit from the tool.
- Always unplug the machine before changing chisel bits or drill bits etc.
- Protect eyes and assistants from small

flying parts and splinters. Wear a helmet!
Erect a screen wall!

- Work gloves protect you against skin abrasions.
- Vibrations can be harmful to the hand-arm system: Keep the impact time of vibrations to a minimum.
- Always keep the power cable away from where you want to drill.
- Keep the machine out of children's reach.
- Always hold the machine with two hands when it is running and make sure of your footing.
- Make sure that the switch on the machine is set to the correct position for the work you want to perform before you put the machine into operation. If the switch is not in the correct position you risk suffering bodily injury when the machine starts to run.

Save this instructions.

3. Layout (Fig. 1)

1. Dust guard
2. Locking sleeve
3. Additional handle
4. Lock for depth stop
5. Selector switch for drill/hammer drill/chisel
6. Handle
7. Clockwise/counter-clockwise switch
8. Locking button
9. Speed controller
10. ON/OFF switch
11. Operating status indicator
12. Indicator for carbon brush wear
13. Depth stop
14. Additional scroll chuck
15. Chuck key
16. Dust absorption device

4. Items supplied

Take all the parts out of the packaging.
Check that nothing is missing.

- BMH 1100 hammer drill
- Additional handle
- Depth stop
- Drill bits for stone (6, 8, 10 mm)
- Pointed chisel / flat chisel
- Additional scroll chuck
- Operating instructions
- Dust absorption device
- Chuck key


5. Proper use

The tool is designed for drilling with hammer action in concrete, rock and brick, as well as for chiseling work, always using the respective correct drill or chisel bit.

The equipment is to be used only for its prescribed purpose. Any other use is deemed to be a case of misuse. The user / operator and not the manufacturer will be liable for any damage or injuries of any kind caused as a result of this.

Please note that our equipment has not been designed for use in commercial, trade or industrial applications. Our warranty will be voided if the machine is used in commercial, trade or industrial businesses or for equivalent purposes.

6. Technical data

Mains voltage:	230 V ~ 50 Hz
Power input:	1050 W
Idling speed:	0-1100 rpm
Blow rate:	0-5100 rpm
Drilling capacity in	
concrete/stone (max.):	26 mm
Protection class:	II / 
Weight:	3.6 kg

Sound and vibration

Sound and vibration values were measured in accordance with EN 60745.

L_{pA} sound pressure level	91.8 dB(A)
K_{pA} uncertainty	3 dB
L_{WA} sound power level	102.8 dB(A)
K_{WA} uncertainty	3 dB

The hammer drill is not designed for outdoors use as specified I Article 3 of Directive 2000/14/EC_2005/88/EC.

Wear ear-muffs.

The impact of noise can cause damage to hearing.

Total vibration values (vector sum of three directions) determined in accordance with EN 60745.

Hammer drilling in concrete

Vibration emission value $a_h = 15.81 \text{ m/s}^2$
K uncertainty = 1.5 m/s^2

Chiseling

Vibration emission value $a_h = 15.668 \text{ m/s}^2$
K uncertainty = 1.5 m/s^2

Important!

The vibration value changes according to the area of application of the electric tool and may

GB/IE/
CY

exceed the specified value in exceptional circumstances.

7. Before starting the equipment

⚠ Important!

Before you connect the equipment to the mains supply make sure that the data on the rating plate are identical to the mains data.

Always pull the power plug before making adjustments to the equipment.

Check the drilling point for concealed electrical cables, gas and water pipes using a cable/pipe detector.

7.1 Additional handle (Fig. 2 – Item 3)

For safety reasons you must only use the hammer drill with the additional handle.

The additional handle (3) enables you to achieve better stability whilst using the equipment. Do not use the equipment without the additional handle (3). The additional handle (3) is secured to the equipment by a clamp. Turning the additional handle (3) clockwise tightens this clamp. Turning it anti-clockwise will release the clamp.

- The supplied additional handle (3) must first be fitted. To do this, turn the additional handle (3) until the clamp is opened wide enough for you to slide the additional handle onto the equipment.
- After you have mounted the additional handle (3), swivel it to the most comfortable working position for yourself.
- Now turn the additional handle (3) in the opposite direction again until the additional handle (3) is secure.
- The additional handle (3) is suitable for both left-handed and right-handed users.

7.2 Depth stop (Fig. 3 – Item 13)

The depth stop (13) is held in place by clamping with the lock (4) on the additional handle (3).

When mounting the depth stop (13), make sure that the catch is on the bottom side.

- Press the lock (4) and keep it pressed it while you adjust the depth stop (13).
- Set the depth stop (13) to the same level as the drill bit.
- Pull the depth stop (13) back by the required drilling depth.
- Let go of the lock (4).
- Now drill the hole until the depth stop (13) touches the workpiece.

7.3. Tool insertion (Fig. 4)

- Clean the tool before insertion and apply a thin coating of drill bit grease to the shaft of the tool.
- Pull back and hold the locking sleeve (2).
- Turn and push the dust-free tool into the tool mounting as far as it will go. The tool will lock automatically, after the locking sleeve is released.
- Check that it is properly secure by pulling the tool.

7.4. Tool removal (Fig. 5)

Pull back and hold the locking sleeve (2) and remove the tool.

7.5 Dust collection device (Fig. 8)

Slide the dust collection device (16) over the drill bit before carrying out any hammer drilling vertically above your head.

7.6. Fitting the additional scroll chuck (Fig. 4)

- Clean the scroll chuck (14) before fitting it and apply a thin coating of drill bit grease to the scroll chuck shaft.
- Pull back and hold the locking sleeve (2).
- Turn and push the dust-free scroll chuck (14) into the tool mounting as far as it will go. The scroll chuck (14) will lock automatically after the locking sleeve is released.
- Check that it is secure by pulling the scroll

chuck (14).

7.7. Removing the additional scroll chuck (Fig. 5)

Pull back and hold the locking sleeve (2) and remove the scroll chuck.

7.8 Inserting the drill into the scroll chuck (Figures 6-7)

⚠ Important!

- Always pull the power plug before making adjustments to the equipment.
- Release the depth stop (13) as described in 7.2 and push it towards the drill handle. This provides free access to the scroll chuck (14).
- Undo the scroll chuck (14) with the supplied chuck key (15) by turning it anti-clockwise.
- To ensure that it is perfectly positioned the drill bit or tool should be inserted as far as possible into the scroll chuck (14). After inserting the drill bit or tool, tighten the scroll chuck (14) by turning the chuck key (15) clockwise until the drill bit or tool is secure. Check that the drill bit is secure in the scroll chuck (14).
- Check at regular intervals that the drill bit or tool is secure (pull the mains plug).

8. Starting up

⚠ Important!

To prevent all danger, the machine must only be held using the two handles (3/6). Otherwise there may be a risk of suffering an electric shock if you drill into cables.

8.1 Status indicator (Fig. 1/Item 11)

The status indicator (11) lights up when the power plug is connected.

8.2 ON/OFF switch (Fig. 9/Item 10)

- First fit a suitable drill bit into the tool (see 7.3).
- Connect the mains plug to a suitable socket.
- Position the drill in the position you wish to drill.

To switch on:

Press the ON/OFF switch (10)

To switch off:

Release the ON/OFF switch (10)

Switching on continuous operation:

Secure the ON/OFF switch (10) with the locking button (8). Important. It may only be locked if the drill is set to rotate clockwise.

Switching off continuous operation:

Press the ON/OFF switch (10) briefly.

8.3 Adjusting the speed (Fig. 9/Item 10)

- You can infinitely vary the speed whilst using the tool.
- Select the speed by applying a greater or lesser pressure to the ON/OFF switch (10).
- Select the correct speed: The most suitable speed depends on the workpiece, the type of use and the drill bit used.
- Low pressure on the ON/OFF switch (10): Lower speed
- Greater pressure on the ON/OFF switch (10): Higher speed

Tip: Start drilling holes at low speed. Then increase the speed in stages.

Benefits:

- The drill bit is easier to control when starting the hole and will not slide away.
- You avoid drilling messy holes (for example in tiles).

8.4 Preselecting the speed (Fig. 9/Item 9)

- The speed setting ring (9) enables you to define the maximum speed. The ON/OFF switch (10) can only be pressed to the defined maximum speed setting.
- Set the speed using the setting ring (9) on the ON/OFF switch (10).
- Do not attempt to make this setting whilst the drill is in use.

GB/E/
CY

8.5 Clockwise/Counter-clockwise switch (Fig. 9/Item 7)

- **Change switch position only when the drill is at a standstill!**
- Switch the direction of the hammer drill using the clockwise/counter-clockwise switch (7):

Direction	Switch position
Clockwise (forwards and drill)	Pushed in to the right
Counter-clockwise (reverse)	Pushed in to the left

8.6 Drill / Hammer drill / Chisel selector switch (Fig. 10)

- For drilling, press the button (E) on the selector switch (5) and simultaneously turn the selector switch (5) to position A.
- For hammer drilling, press the button (E) on the selector switch (5) and simultaneously turn the selector switch (5) to position B.
- For chiseling, press the button (E) on the selector switch (5) and simultaneously turn the selector switch (5) to position C. In switch position C the chisel is not locked.
- For chiseling, press the button (E) on the selector switch (5) and simultaneously turn the selector switch (5) to position D. The chisel is locked in position D.

Important.

You only require slight contact pressure for hammer drilling. Excessive contact pressure will place an unnecessary strain on the motor. Check bits! at regular intervals. Sharpen or replace blunt bits.

9. Replacing the power cable

If the power cable for this equipment is damaged, it must be replaced by the manufacturer or its after-sales service or similarly trained personnel to avoid danger.

10. Cleaning, maintenance and ordering of spare parts

⚠ Important.

Always pull out the mains power plug before starting any cleaning work.

10.1 Cleaning

- Keep all safety devices, air vents and the motor housing free of dirt and dust as far as possible. Wipe the equipment with a clean cloth or blow it with compressed air at low pressure.
- We recommend that you clean the device immediately each time you have finished using it.
- Clean the equipment regularly with a moist cloth and some soft soap. Do not use cleaning agents or solvents; these could attack the plastic parts of the equipment. Ensure that no water can seep into the device.

10.2 Carbon brushes

In case of excessive sparking or if the status indicator for carbon brush wear (12) lights up, have the carbon brushes checked by a qualified electrician.

10.3 Maintenance

There are no parts inside the equipment which require additional maintenance.

10.4 Ordering replacement parts:

Please quote the following data when ordering replacement parts:

- Type of machine
 - Article number of the machine
 - Identification number of the machine
- For our latest prices and information please go to www.isc-gmbh.info

11. Disposal and recycling

The unit is supplied in packaging to prevent its being damaged in transit. This packaging is raw material and can therefore be reused or can be returned to the raw material system. The unit and its accessories are made of various types of material, such as metal and plastic. Defective components must be disposed of as special waste. Ask your dealer or your local council.



For EU countries only

Never place any electric tools in your household refuse.

To comply with European Directive 2002/96/EC concerning old electric and electronic equipment and its implementation in national laws, old electric tools have to be separated from other waste and disposed of in an environment-friendly fashion, e.g. by taking to a recycling depot.

Recycling alternative to the demand to return electrical devices:

As an alternative to returning the electrical device, the owner is obliged to cooperate in ensuring that the device is properly recycled if ownership is relinquished. This can also be done by handing over the used device to a returns center, which will dispose of it in accordance with national commercial and industrial waste management legislation. This does not apply to the accessories and auxiliary equipment without any electrical components which are included with the used device.

GB/IE/
CY

12. Declaration of conformity



Konformitätserklärung

Einhell Germany AG · Wiesenweg 22 · D-94405 Landau/Isar

D erklärt folgende Konformität gemäß EU-Richtlinie und Normen für Artikel
GB declares conformity with the EU Directive and standards marked below for the article
F déclare la conformité suivante selon la directive CE et les normes concernant l'article
NL verklaart de volgende conformiteit in overeenstemming met de EU-richtlijn en normen voor het artikel
E declara la siguiente conformidad a tenor de la directiva y normas de la UE para el artículo
P declara a seguinte conformidade de acordo com a directiva CE e normas para o artigo
S förklarar följande överensstämmelse enl. EU-direktiv och standarder för artikeln
FIN ilmoittaa seuraavaa Euroopan unionin direktiivien ja normien mukaista yhdenmukaisuutta tuotteelle
IT dichiara la seguente conformità secondo la direttiva UE e le norme per l'articolo
HR potvrđuje sljedeću uskladenost s odredbama i normama EU za artikl.
RO declară următoarea conformitate cu linia directoare CE și normele valabile pentru articolul.
TR ürün ile ilgili olarak AB Yönetmelikleri ve Normları gereğince aşağıdaki uygunluk açıklamaısını sunar.
GR δηλώνει την ακόλουθη συμμόρφωση σύμφωνα με την Οδηγία ΕΕ και τα πρότυπα για το προϊόν


I dichiara la seguente conformità secondo la direttiva UE e le norme per l'articolo
GB attesterer følgende overensstemmelse i henhold til EU-direktiv og standarder for produkt
CZ prohlašuje následující shodu podle směrnice EU a norem pro výrobek.
H a következő konformitást jelenti ki a termékerekre vonatkozó EU-irányvonalak és normák szerint
SK pojasňuje sledečo skladnost po smernici EU in normah za artikel.
PL deklaruje zgodność wymienionego ponizej artykułu z następującymi normami na podstawie dyrektywy WE.
SR vydáva nasledujúce prehlásenie o zhode podľa smernice EU a noriem pre výrobok.
HR deklarira sledno to s'otvetstvie s'glasno direktivite i normite na EC za produkta.
UKR заявляє про відповідність згідно з Директивою ЄС та стандартами, чинними для даного товару
ES deklareerib vastavuse järgnevalele EL direktiivi dele ja normidele
LT deklaruoja atitiktį pagal ES direktyvas ir normas
RS izjavljuje sledeći konformitet u skladu s odredbom EZ i normama za artikl
LV Atbilstības sertifikāts apliecina zemāk minēto preču atbilstību ES direktīvām un standartiem
IS Samræmisýfirlýsing staðfestir eftirfarandi samræmi samkvæmt reglum Evrópubandalagsins og stöðlum fyrir vörur

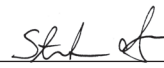
Bohrhammer BMH 1100

<input checked="" type="checkbox"/>	98/37/EC	<input type="checkbox"/>	87/404/EEC
<input checked="" type="checkbox"/>	2006/95/EC	<input type="checkbox"/>	R&TTED 1999/5/EC
<input type="checkbox"/>	97/23/EC	<input type="checkbox"/>	2000/14/EC_2005/88/EC:
<input checked="" type="checkbox"/>	2004/108/EC	<input type="checkbox"/>	95/54/EC:
<input type="checkbox"/>	90/396/EEC	<input type="checkbox"/>	97/68/EC:
<input type="checkbox"/>	89/686/EEC		

EN 60745-1; EN 60745-2-6; EN 55014-1; EN 55014-2; EN 61000-3-2; EN 61000-3-3

Landau/Isar, den 16.07.2008


 Weichselgartner
 General-Manager


 Mayr
 Product-Management
Art.-Nr.: 42.583.93 I.-Nr.: 01018
Subject to change without notice

Archivierung: 4258395-42-4155050-08

13. GUARANTEE CERTIFICATE

Dear Customer,

All of our products undergo strict quality checks to ensure that they reach you in perfect condition. In the unlikely event that your device develops a fault, please contact our service department at the address shown on this guarantee card. Of course, if you would prefer to call us then we are also happy to offer our assistance under the service number printed below. Please note the following terms under which guarantee claims can be made:

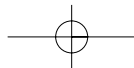
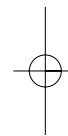
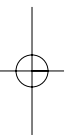
1. These guarantee terms cover additional guarantee rights and do not affect your statutory warranty rights. We do not charge you for this guarantee.
2. Our guarantee only covers problems caused by material or manufacturing defects, and it is restricted to the rectification of these defects or replacement of the device. Please note that our devices have not been designed for use in commercial, trade or industrial applications. Consequently, the guarantee is invalidated if the equipment is used in commercial, trade or industrial applications or for other equivalent activities. The following are also excluded from our guarantee: compensation for transport damage, damage caused by failure to comply with the installation/assembly instructions or damage caused by unprofessional installation, failure to comply with the operating instructions (e.g. connection to the wrong mains voltage or current type), misuse or inappropriate use (such as overloading of the device or use of non-approved tools or accessories), failure to comply with the maintenance and safety regulations, ingress of foreign bodies into the device (e.g. sand, stones or dust), effects of force or external influences (e.g. damage caused by the device being dropped) and normal wear resulting from proper operation of the device.

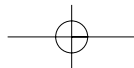
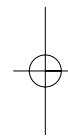
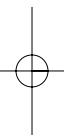
The guarantee is rendered null and void if any attempt is made to tamper with the device.

3. The guarantee is valid for a period of 3 years starting from the purchase date of the device. Guarantee claims should be submitted before the end of the guarantee period within two weeks of the defect being noticed. No guarantee claims will be accepted after the end of the guarantee period. The original guarantee period remains applicable to the device even if repairs are carried out or parts are replaced. In such cases, the work performed or parts fitted will not result in an extension of the guarantee period, and no new guarantee will become active for the work performed or parts fitted. This also applies when an on-site service is used.
4. In order to assert your guarantee claim, please send your defective device postage-free to the address shown below. Please enclose either the original or a copy of your sales receipt or another dated proof of purchase. Please keep your sales receipt in a safe place, as it is your proof of purchase. It would help us if you could describe the nature of the problem in as much detail as possible. If the defect is covered by our guarantee then your device will either be repaired immediately and returned to you, or we will send you a new device.

Of course, we are also happy offer a chargeable repair service for any defects which are not covered by the scope of this guarantee or for units which are no longer covered. To take advantage of this service, please send the device to our service address.

Einhell UK Ltd
Morpeth Wharf · Twelve Quays
Birkenhead, Wirral
CH41 1NG
Tel. 0151 6491500 · Fax 0151 6491501





Art. Nr.: 40538

Einhell Germany AG

Wiesenweg 22

D-94405 Landau/Isar

Last Information Update: 09/2008

Ident.-No.: 42.583.93.092008-6

