

**Einhell**

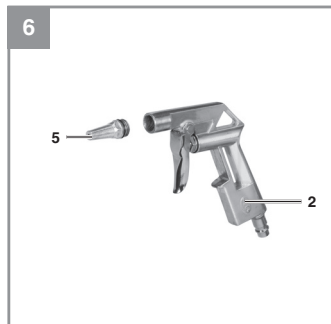
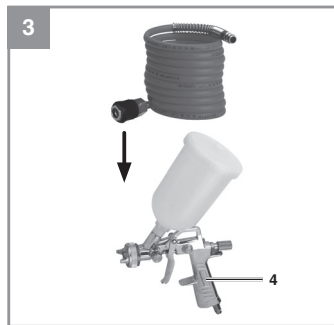
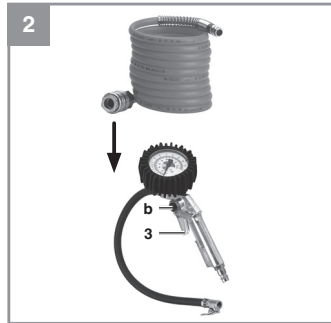
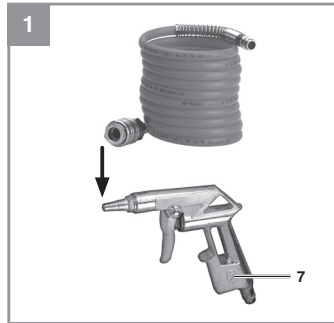
**Professional air tool set**

---

GB Original operating instructions  
Professional air tool set

7







**Danger!** - Read the operating instructions to reduce the risk of injury



**Caution! Wear ear-muffs.** The impact of noise can cause damage to hearing.



**Caution! Wear a breathing mask.** Dust which is injurious to health can be generated when working on wood and other materials. Never use the device to work on any materials containing asbestos!



**Caution! Wear safety goggles.** Sparks generated during working or splinters, chips and dust emitted by the device can cause loss of sight.



**Important!** Disassemble and clean the equipment immediately after each use. This is the only way to keep the wetted parts clean and prevent clogging. Parts that are not cleaned can become clogged, causing an equipment fault.

**Danger!**

When using the equipment, a few safety precautions must be observed to avoid injuries and damage. Please read the complete operating instructions and safety regulations with due care. Keep this manual in a safe place, so that the information is available at all times. If you give the equipment to any other person, hand over these operating instructions and safety regulations as well. We cannot accept any liability for damage or accidents which arise due to a failure to follow these instructions and the safety instructions.

**1. Safety regulations****Danger!****Read all safety regulations and instructions.**

Any errors made in following the safety regulations and instructions may result in an electric shock, fire and/or serious injury.

**Keep all safety regulations and instructions in a safe place for future use.**

**Warning!** Observe the information supplied by the tire manufacturer and the vehicle manufacturer relating to the recommended tire pressure.

**Warning!** This equipment is not calibrated! For a calibrated measurement value, check the actual tire pressure using a calibrated meter after you have inflated the tires yourself, e.g. at a petrol station.

**1.1 Safety instructions for working with compressed air and blasting guns**

- Compressors and lines reach high temperatures during operation. Avoid contact! Risk of burns!
- Gases or vapours drawn in by the compressor have to be kept free of constituents that may cause fire or explosions inside the compressor.
- When you disconnect the hose coupling, hold the coupling element in your hand to prevent injury from the whiplashing hose.
- Wear goggles when working with the blow-out gun. Injuries may easily result from foreign bodies and blasted parts.
- Never point the blow-out gun at other persons and never use it to clean clothes that are still being worn.

**1.2. Safety information for paint spraying**

- Never process paints or solvents with a flash point below 55°C.
- Do not heat lacquers and solvents as they are highly inflammable.
- It is imperative to use filtering equipment (face masks) when processing harmful liquids. Note also the information concerning safety precautions published by the manufacturers of these liquids.
- Smoking is prohibited during the spraying operation and in the work room. Paint vapours are highly flammable.
- Make sure there are no open fires or open lights in the work room. Sparking machines are not to be used.
- Do not keep or consume food and drink in the work room. Paint vapours are harmful.
- The details and designations of the Ordinance on Hazardous Substances, which are displayed on the outer packaging of the processed material, must be observed. Additional protective measures are to be undertaken if necessary, particularly the wearing of suitable clothing and masks.
- The work room has to be bigger than 30 m<sup>3</sup> and have sufficient ventilation for spraying and drying. Never spray into the wind. It is always imperative to observe the regulations of your local police authorities when spraying combustible or hazardous substances.
- Never process media such as white petroleum spirit, butyl alcohol and methylene chloride with the PVC pressure hose (reduced life span).
- **Danger!** Never point the paint spray gun at yourself, other people or animals.
- Properly dispose of residual paint and cleaning agents in accordance with local laws and regulations.
- Residual paint must be taken to a suitable collection point. If you are not sure, ask the local council where the nearest collection point is.
- Spraying into the skin can introduce toxins into the body. Call a doctor immediately if the jet causes a skin injury or penetrates the skin.
- There is risk of danger from the inhalation or absorption of and contact with coating materials or detergents. Make sure that sufficient technical or natural ventilation is provided.
- Make sure at all times that the maximum working pressure is not exceeded.

Keep these safety instructions in a safe place.

## 2. Layout and items supplied

### 2.1 Layout (Fig. 1-6)

1. Compressed-air hose
2. Compressed-air gun
3. Tire pressure gauge
4. Paint spray gun with gravity-feed can
5. Nozzle
6. Suction-feed can for connection to the compressed-air gun
7. Blow-out pistol (compressed-air gun + nozzle)
8. Paint spray gun with suction-feed can (compressed-air gun + suction-feed can)

### 2.2 Items supplied

- Open the packaging and take out the equipment with care.
- Remove the packaging material and any packaging and/or transportation braces (if available).
- Check to see if all items are supplied.
- Inspect the equipment and accessories for transport damage.
- If possible, please keep the packaging until the end of the guarantee period.

### Danger!

**The equipment and packaging material are not toys. Do not let children play with plastic bags, foils or small parts. There is a danger of swallowing or suffocating!**

- Original operating instructions

## 3. Proper use

The compressed-air hose is designed for supplying air to air tools.

The blow-out pistol is designed for cleaning and blowing out.

The tire pressure gauge is designed for inflating tires.

The paint spray gun is designed for spraying paints and lacquers.

Please note that our equipment has not been designed for use in commercial, trade or industrial applications. Our warranty will be voided if the

machine is used in commercial, trade or industrial businesses or for equivalent purposes.

Please note that our equipment has not been designed for use in commercial, trade or industrial applications. Our warranty will be voided if the machine is used in commercial, trade or industrial businesses or for equivalent purposes.

## 4. Instructions for the 5-piece accessory set

For information on the correct use of the accessories, please refer to the following overview.

- Compressed air hose  
For connecting to a compressed air source.
- Blow-out pistol (Figure 1)  
Working pressure in bar: 3-8

Use the compressed-air gun (2) in combination with the nozzle (5) as a blow-out pistol (see Fig. 1, 6).

### Range of applications:

For cleaning and blowing out hollow spaces or hard-to-reach areas, as well as for cleaning soiled equipment.

The infinitely variable trigger lever allows an exact dosing of compressed air.

- Tire pressure gauge (Figure 2)  
Working pressure in bar: 0-8

### Range of applications:

The tire pressure gauge allows you to inflate tires easily and exactly. Use the pressure gauge to check the tire pressure. If the tire pressure is too high, you can reduce the pressure with the integrated relief valve (b).

After filling with air, please check the set tire pressure with a calibrated gauge, for example at a petrol station.

- Paint spray gun with cup (Figure 3)  
Working pressure in bar: 3-4

### Range of applications:

The paint spray gun is ideal for all small scale priming and painting work.

The adjustment of the air and paint volumes helps to achieve outstanding results. The paint spray gun, with an infinite adjustment from wide to round jet, is ideal for both large areas and for corners and edges.

- Spray gun with suction-feed can (Figure 4)  
Working pressure in bar: 3,5

Use the compressed-air gun (2) in combination with the suction-feed can (6) as a paint spray gun with suction-feed can (see Fig. 1, 5).

#### Range of applications:

Suitable for spraying cold cleaner, spray oil, etc. The infinitely variable trigger lever allows an exact dosing of the spray material. The rotating nozzle (c) allows you to adjust the ratio of fluid to the volume of air.

Tip: Before starting work, you should conduct a small test on newspaper to find the ideal settings for achieving perfect results.

## 5. Before starting the equipment

### 5.1 Quick-release coupling

#### Connect

Push the nipple on your compressed air hose into the quick-release coupling, the sleeve will automatically spring forwards.

#### Disconnect

Pull back the sleeve and remove the hose.

**Warning! As you release the hose coupling, hold the hose coupling part in your hand to prevent injuries caused by the hose being thrown backwards.**

The compressed air hose is also fitted with a quicklock coupling to which accessories can be connected as described above.

## 6. Cleaning, maintenance and ordering of spare parts

**Warning!** Disconnect the air tool from the compressed air source before cleaning.

**Important!** Do not fully immerse the tool in solvent.

### 6.1 Cleaning

- Clean the nozzle as well if it becomes clogged unexpectedly or the spray pattern is poor.
- We recommend that you clean the appliance immediately after you use it.
- Clean the accessories after use with a suitable cleaning agent (observe the instructions on the working materials).

### 6.2 Maintenance

There are no parts inside the equipment which require additional maintenance.

### 6.3 Ordering replacement parts:

Please quote the following data when ordering replacement parts:

- Type of machine
- Article number of the machine
- Identification number of the machine
- Replacement part number of the part required

For our latest prices and information please go to [www.isc-gmbh.info](http://www.isc-gmbh.info)

## 7. Disposal and recycling

The equipment is supplied in packaging to prevent it from being damaged in transit. The raw materials in this packaging can be reused or recycled. The equipment and its accessories are made of various types of material, such as metal and plastic. Never place defective equipment in your household refuse. The equipment should be taken to a suitable collection center for proper disposal. If you do not know the whereabouts of such a collection point, you should ask in your local council offices.

## 8. Storage

Store the equipment and accessories in a dark and dry place at above freezing temperature. The ideal storage temperature is between 5 and 30 °C. Store the electric tool in its original packaging.

The reprinting or reproduction by any other means, in whole or in part, of documentation and papers accompanying products is permitted only with the express consent of the iSC GmbH.

Subject to technical changes

## Warranty certificate

Dear Customer,

All of our products undergo strict quality checks to ensure that they reach you in perfect condition. In the unlikely event that your device develops a fault, please contact our service department at the address shown on this guarantee card. You can also contact us by telephone using the service number shown. Please note the following terms under which guarantee claims can be made:

1. These guarantee terms apply to consumers only, i.e. natural persons intending to use this product neither for their commercial activities nor for any other self-employed activities. These warranty terms regulate additional warranty services, which the manufacturer mentioned below promises to buyers of its new products in addition to their statutory rights of guarantee. Your statutory guarantee claims are not affected by this guarantee. Our guarantee is free of charge to you.
2. The warranty services cover only defects due to material or manufacturing faults on a product which you have bought from the manufacturer mentioned below and are limited to either the rectification of said defects on the product or the replacement of the product, whichever we prefer.  
Please note that our devices are not designed for use in commercial, trade or professional applications. A guarantee contract will not be created if the device has been used by commercial, trade or industrial business or has been exposed to similar stresses during the guarantee period.
3. The following are not covered by our guarantee:
  - Damage to the device caused by a failure to follow the assembly instructions or due to incorrect installation, a failure to follow the operating instructions (for example connecting it to an incorrect mains voltage or current type) or a failure to follow the maintenance and safety instructions or by exposing the device to abnormal environmental conditions or by lack of care and maintenance.
  - Damage to the device caused by abuse or incorrect use (for example overloading the device or the use of unapproved tools or accessories), ingress of foreign bodies into the device (such as sand, stones or dust, transport damage), the use of force or damage caused by external forces (for example by dropping it).
  - Damage to the device or parts of the device caused by normal or natural wear or tear or by normal use of the device.
4. The guarantee is valid for a period of 24 months starting from the purchase date of the device. Guarantee claims should be submitted before the end of the guarantee period within two weeks of the defect being noticed. No guarantee claims will be accepted after the end of the guarantee period. The original guarantee period remains applicable to the device even if repairs are carried out or parts are replaced. In such cases, the work performed or parts fitted will not result in an extension of the guarantee period, and no new guarantee will become active for the work performed or parts fitted. This also applies if an on-site service is used.
5. To make a claim under the guarantee, please register the defective device at: [www.isc-gmbh.info](http://www.isc-gmbh.info). Please keep your bill of purchase or other proof of purchase for the new device. Devices that are returned without proof of purchase or without a rating plate shall not be covered by the guarantee, because appropriate identification will not be possible. If the defect is covered by our guarantee, then the item in question will either be repaired immediately and returned to you or we will send you a new replacement.

Of course, we are also happy offer a chargeable repair service for any defects which are not covered by the scope of this guarantee or for units which are no longer covered. To take advantage of this service, please send the device to our service address.

Also refer to the restrictions of this warranty concerning wear parts, consumables and missing parts as set out in the service information in these operating instructions.











EH 05/2020 (01)

