

POWER CRAFT

1200W 210mm MITRE SAW WITH LASER

User Guide & Warranty



After Sales Support

Now you have purchased a Power Craft product you can rest assured in the knowledge that as well as your 3 year parts and labour warranty you have the added peace of mind of dedicated helplines and web support

AFTER SALES SUPPORT

UK / N.IRELAND HELPLINE NO 0151 649 1500

REP. IRELAND HELPLINE NO 1890 946 244

MODEL NUMBER : PMS 210/1

Contents

- 03 Introduction
- 07 Description
- 07 Items supplied
- 07 Proper use
- 08 Important notes
- 10 Technical data
- 10 Before putting the machine into operation
- 10 Assembly
- 12 Operating the laser
- 12 Maintenance
- 12 Ordering replacement parts
- 15 Warranty



**Read the complete operating manual with due care and keep it in a safe place.
If you give the machine to any other person, hand over this operating manual as well!**

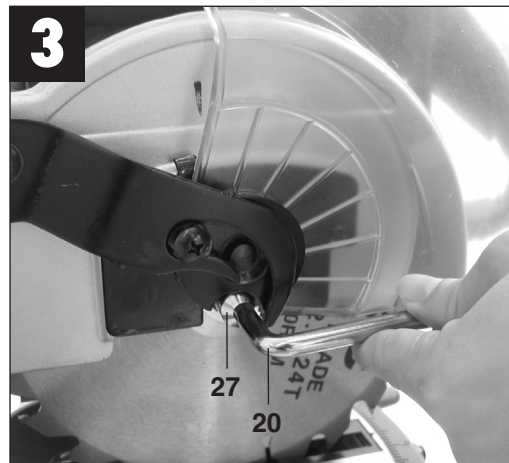
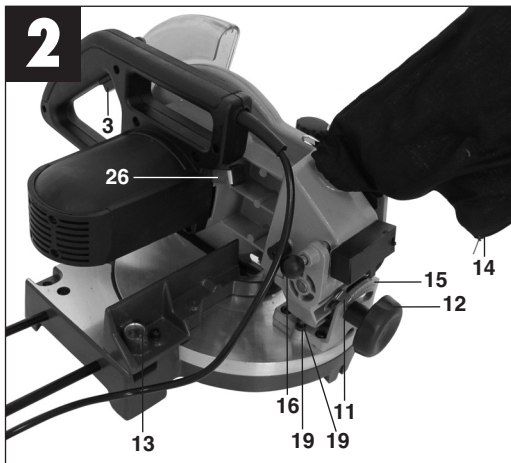
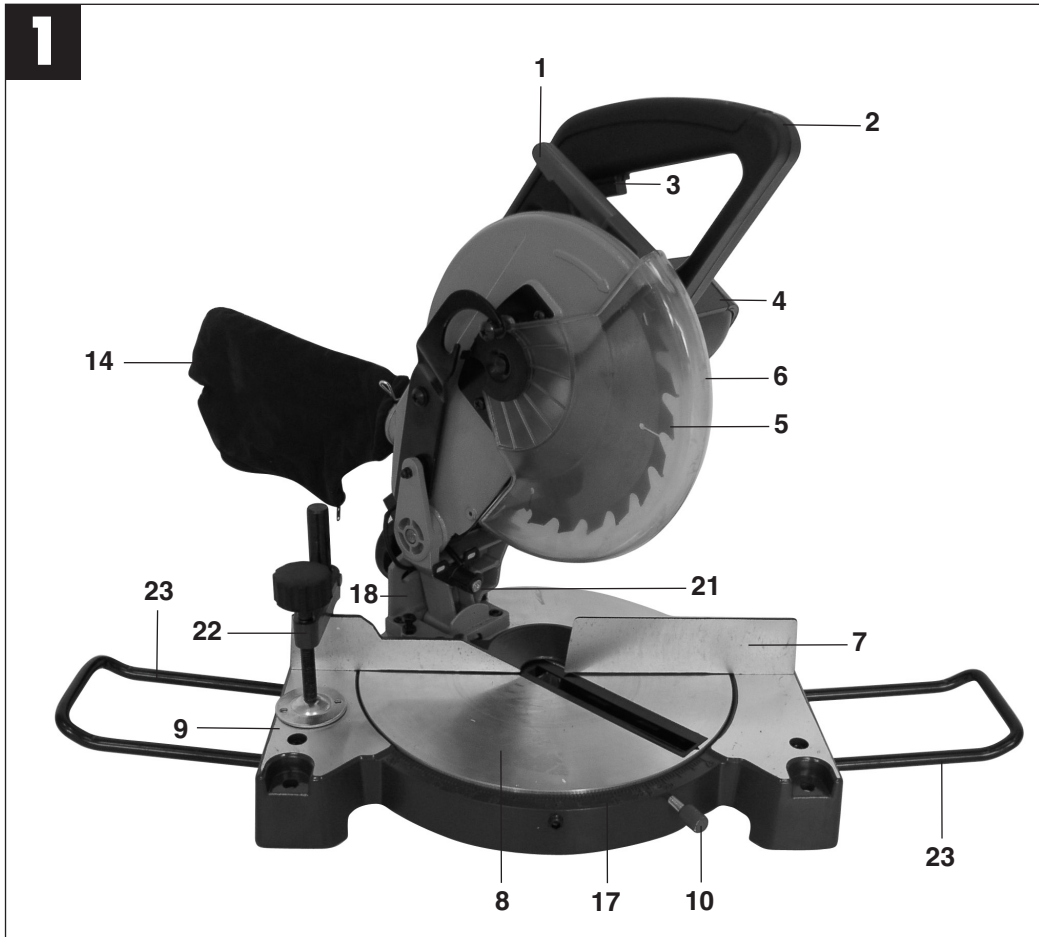
Introduction

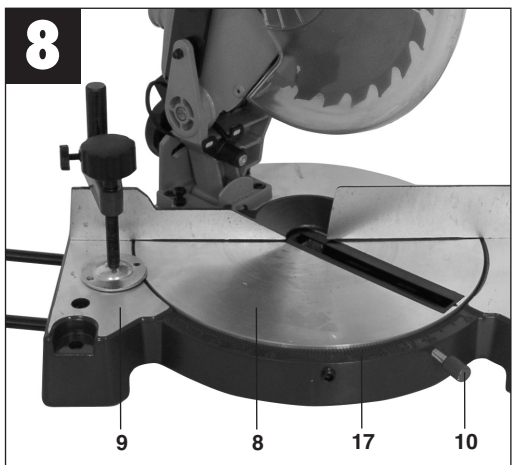
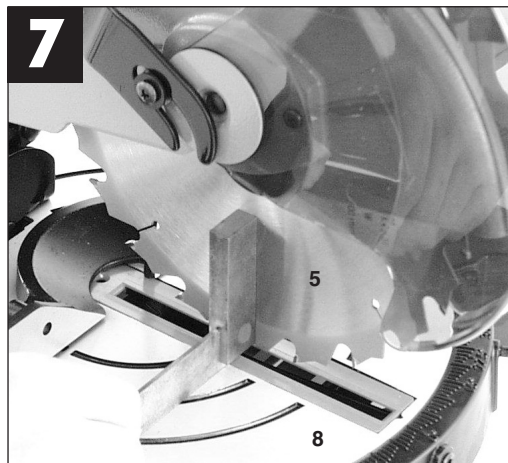
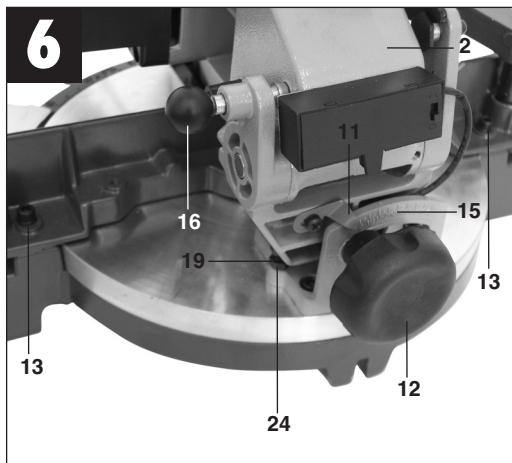
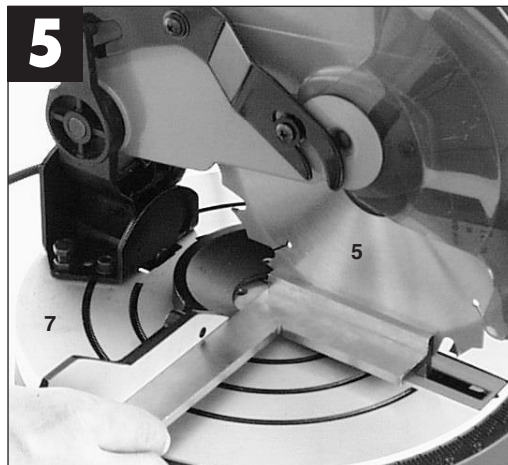
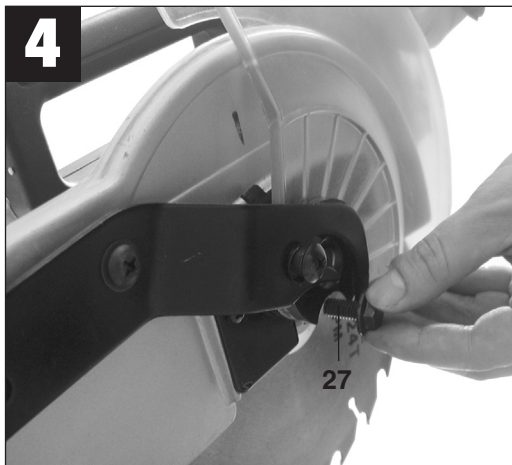
Congratulations on choosing to buy a PowerCraft product.

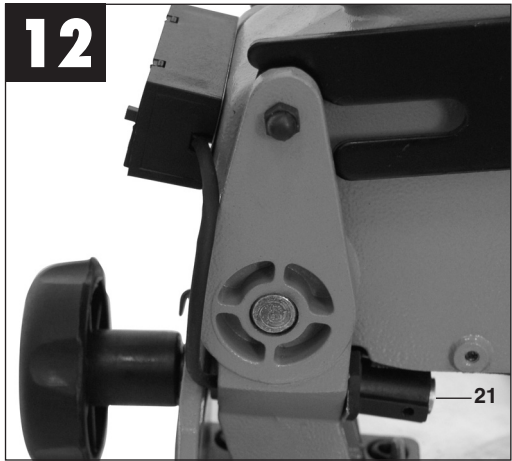
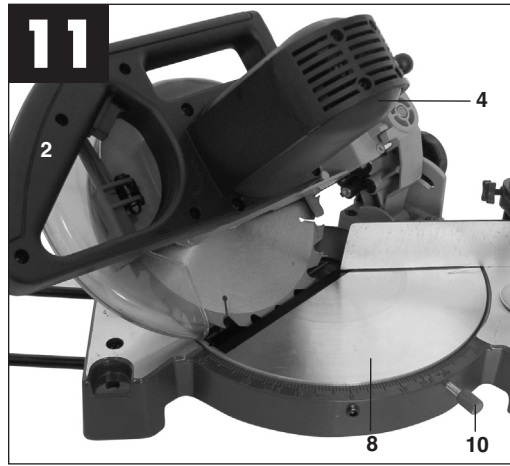
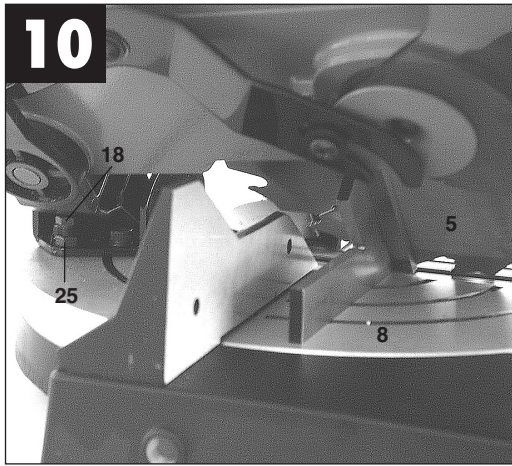
By doing so you now have the assurance and peace of mind that comes with purchasing a product made by one of Europe's leading manufacturers.

All products brought to you by PowerCraft are manufactured to the highest standards of performance and safety, and, as part of our philosophy for customer service and satisfaction, are backed by our comprehensive 3 Year Warranty.

Please fill in and return the Warranty Card to the address provided. We hope you will enjoy using your purchase for many years to come.







1. Description (Fig. 1/2)

1. Release button
2. Handle
3. On/Off switch
4. Machine head
5. Saw blade
6. Saw blade guard, hinged
7. Stop rail
8. Rotary table
9. Base plate, fixed
10. Locking handle
11. Pointer
12. Locking nut
13. Fixing screw
14. Chip bag
15. Scale
16. Retaining pin
17. Scale (turntable)
18. Adjusting screw 45°
19. Adjusting screw 90°
20. Socket wrench
21. Laser
22. Clamping device
23. Workpiece support
24. Counter nut
25. Counter nut
26. Saw shaft lock
27. Flange bolt

2. Items supplied

- Cross-cut and mitre saw
- Clamping device (22)
- Workpiece support (23)
- Carbide-tipped saw blade (5)
- Socket wrench (20)
- 2 x AAA batteries



Caution: Laser radiation
Do not look into the beam
Laser class 2

**CAUTION:
 LASER RADIATION
 DO NOT LOOK INTO THE BEAM!**

Laser specification according to
 EN 60950: 1992+A1+A2+A3+A4+A11
 EN 60825-1: 1994+A11:1996
 Laser class 2 1894S-8x17
 λ: 650 nm P: ≤ 5 mW

Protect yourself and your environment from accidents by taking the appropriate precautionary measures.

- Do not look directly into the laser beam with the naked eye.
- Never look directly into the laser path.
- Never direct the laser beam at reflecting surfaces or persons or animals. Even a low output laser beam can inflict injury on the eye.
- Caution: It is vital to follow the work procedures described in these instructions. Using the tool in any other way may result in hazardous exposure to laser radiation.
- Never open the laser module.
- When the device is not going to be used for an extended period of time, the batteries should be removed.

3. Proper use

The cross cut mitre saw is designed for cutting wood and plastic and light alloys (with correct blade) such as aluminium. This saw should not be used for cutting logs etc and MUST only be used for its prescribed purpose.

Any use other than that mentioned is considered to be a case of misuse. The user/operator and not the manufacturer shall be liable for any damage or injury resulting from such cases of misuse.

The machine is to be operated only with suitable saw blades. It is prohibited to use any type of cutting-off wheel.

To use the machine properly you must also observe the safety regulations, the assembly instructions and the operating instructions to be found in this manual. All persons who use and service the machine have to be acquainted with this manual and must be informed about its potential hazards.

It is also imperative to observe the rules for occupational health and safety in your area.

The manufacturer shall not be liable for any changes made to the machine nor for any damage resulting from such changes.

Even when the machine is used as prescribed it is still impossible to eliminate certain residual risk factors. The following hazards may arise in connection with the machine's construction and design:

- Contact with the saw blade in the uncovered saw zone.
- Reaching into the running saw blade (cut injuries).
- Kick-back of workpieces and parts of workpieces.
- Saw blade fracturing.
- Catapulting of faulty carbide tips from the saw blade.
- Damage to hearing if essential ear protection are not worn.

- Harmful emissions of wood dust when the machine is used in closed rooms.
- We also recommend that you wear safety glasses and gloves

4. Important notes

Please read this manual carefully and pay attention to the information provided. Use this manual to familiarise yourself with the machine, its correct use and safety regulations.

Please note that our equipment has not been designed for use in commercial, trade or industrial applications. Our warranty will be voided if the machine is used in commercial, trade or industrial businesses or for equivalent purposes.

Safety regulations

- Always pull the plug out of the power socket before adjusting or servicing the machine.
- Give these safety regulations to all persons who work on the machine.
- Do not use this saw to cut logs.
- Caution! Hands and fingers may be injured on the rotating saw blade.
- Before you use the machine for the first time, check that the voltage marked on the rating plate is the same as your mains voltage.
- If you need to use an extension cable, make sure its conductor cross-section is big enough for the saw's power consumption. Minimum cross-section: 1.5 mm².
- If you use a cable reel, the complete cable has to be pulled off the reel.
- Never carry the saw by its cable.
- Do not leave the saw in the rain and never use it in damp or wet conditions.
- Provide good lighting.
- Never saw near combustible liquids or gases.
- Wear suitable work clothes! Loose garments or jewellery may become caught up in the rotating saw blade.
- Keep children away from the machine when it is connected to the power supply.
- Check the power cable (9). Never use a faulty or damaged power cable.
- Keep your workplace clean of wood scrap and any unnecessary objects.
- Persons working on the machine should not be distracted.
- Note the direction of rotation of the motor and saw blade.
- After you have switched off the motor, never slow down the saw blade by applying pressure to its side.
- Fit only blades which are sharp and have no cracks or deformities.
- The machine is to be operated only with saw blades which conform with EN 847-1.
- Faulty saw blades have to be replaced immediately.
- Never use saw blades which do not comply with the data specified in this manual.
- Make sure that the arrow on the saw blade complies with the arrow marked on the machine.
- Make certain that the saw blade does not touch the rotary table in any setting. To do so, pull out the power plug and tilt the saw blade by hand into the 45° position and the 90° position. If necessary, re-adjust the saw head as described in Section (7.3/7.4).
- It is imperative to make sure that all the devices used to cover the saw blade are in good working order.
- Never wedge the hinged guard hood in open position.
- Never dismantle the machine's safety devices or put them out of operation.
- Damaged or faulty safety devices have to be replaced immediately.
- Never cut workpieces which are too small to hold securely in your hand.
- Do not place your hands in awkward positions where one or both may slip suddenly and touch the saw blade.
- When working with long workpieces, use an additional support (table, stand, etc.) to prevent the machine from tipping over.
- Always clamp round workpieces such as dowel rods etc. with suitable devices.
- There must be no nails or other foreign bodies in that part of the workpiece you want to cut.
- Always stand to the side of the saw blade when working with the saw.
- Never overload the machine.
- Always press the workpiece firmly against the table and the stop rail to prevent it from wobbling or twisting.
- Make sure that off-cuts can be removed from the side of the saw blade. If not, they may catch on the saw blade crown and be catapulted into the surrounding area.
- Never saw several workpieces simultaneously.
- Never remove loose splinters, chips or jammed pieces of wood when the saw blade is running.
- To rectify faults or remove jammed pieces of wood, always switch off the machine first. - Pull out the power plug!

- Conversions, adjustments, measurements and cleaning jobs are to be performed only when the motor is switched off. Pull out the power plug!
- Before you switch on the machine, check that all wrenches and adjustment tools have been removed.
- When you leave your workplace, switch off the motor and pull out the power plug.
- Electric installation work, repairs and maintenance are to be carried out only by specialists.
- All guards and safety devices have to be refitted immediately after completion of any repairs or maintenance.
- It is imperative to observe the manufacturer's safety, operating and maintenance instructions as well as the dimensions quoted in the technical data.
- It is imperative to observe the accident prevention regulations in force in your area as well as all other generally recognized rules of safety.
- Note the information published by your professional associations.(VBG7j)
- Switch on the dust extraction system each time you use the machine.
- The machine may be used in closed rooms only in conjunction with a suitable vacuum extraction system.
- The saw must be connected to a 230 V socket outlet with a minimum 10 A fuse.
- Never use light-duty machines for heavy-duty work.
- Never use the cable for any purpose other than that for which it is intended!
- Adopt a firm standing position and keep your balance at all times.
- Check the tool for signs of damage!
- Before you carry on using the tool it is imperative to check that its safety devices and any slightly damaged parts are working properly and in the way intended.
- Check that the moving parts work properly and do not jam. Check if any of the parts are damaged. All parts must be fitted correctly and satisfy all conditions for the tool to work properly.
- Unless otherwise stated in these instructions damaged safety devices and parts must only be replaced by experts approved by the manufacturer.
- Repairs are only to be carried out by qualified electricians authorised by the manufacturer using original replacement parts.
- Be careful when making vertical cuts.

- Take special care when making double mitre cuts.
- Do not overload the machine!
- Recommended Personal Protective Equipment
- Wear safety goggles.
- Use a dust mask on dusty jobs.
- Wear ear protection.
- Wear gloves.
- Check the machine's power cable / extension cable for damage.



Wear goggles



Wear ear protection



Wear a dust mask



Wear gloves

Noise emission values

- The saw's noise is measured in accordance with DIN EN ISO 3744; 11/95, E Din EN 31201; 6/93, ISO 7960 Annex A; 2/95. The machine may exceed 85 dB(A) at the workplace. In this case, noise protection measures need to be introduced for the user (ear-protection).

	Cutting	Idling
Sound pressure level L_{pA}	104,4 dB(A)	94,2 dB(A)
Sound power level L_{WA}	111,4 dB(A)	107,2 dB(A)

„The quoted values are emission values and not necessarily reliable workplace values. Although there is a correlation between emission and immission levels it is impossible to draw any certain conclusions as to the need for additional precautions. Factors with a potential influence on the actual immission level at the workplace include the duration of impact, the type of room, and other sources of noise etc., e.g. the number of machines and other neighbouring operations. Reliable workplace values may also vary from country to country. With this information the user should at least be able to make a better assessment of the dangers and risks involved.“

5. Technical data

Asynchronous motor	230 V ~ 50 Hz
Power rating	1200 W
Operating mode	S1
Idle speed n_0	5000 rpm
Carbide saw blade	\varnothing 210 x \varnothing 30 x 2,5 mm
Number of teeth	24
Standing area	390 x 300 mm
Tilting range	-45° / 0° / +45°
Mitre cuts	0° to 45° to the left
Saw bed support	385 x 140 mm
Sawing width at 90°	120 x 60 mm
Sawing width at 45°	80 x 65 mm
Sawing width at 2 x 45° (double mitre cuts)	80 x 35 mm

6. Before putting the machine into operation

- The machine has to be set up where it can stand firmly, e.g. bolt it to a work bench, a universal base or similar.
- All the covers and safety devices have to be properly fitted before the machine is switched on.
- It must be possible for the saw blade to run freely.
- When working with wood that has been processed before, watch out for foreign bodies such as nails or screws etc.
- Before you actuate the On/Off switch, make sure that the saw blade is correctly fitted and that the machine's moving parts run smoothly.
- Before you connect the machine to the power supply, make sure the data on the rating plate is the same as that for your mains.

7. Assembly

A.) Adjusting the saw (Fig. 4)

- To adjust the turntable (8), loosen the locking grip (10) by turning it through 2 complete rotations to unlock the turntable (8).
- The turntable (8) can be set to 0°, 15°, 22.5°, 30° and 45°.

As soon as the turntable (8) has engaged, the position must be fixed by tightening the locking grip (10).
- If different angles are required, the turntable (8) is fixed using the locking grip (10) alone.
- While pressing down lightly on the machine head (4), pull the lock pin (16) out of the motor holder to disengage the saw from its bottom working position.
- Swing up the machine head until the retaining hook latches home.
- The machine head (4) can be tilted by max. 45° to the left by loosening the tensioning screw (13).
- Check that the voltage marked on the rating plate is the same as your mains voltage and connect up the machine.
- The clamping device (22) and the workpiece support (23) can be fastened on both the right and left sides of the base plate (9).

B.) Adjusting the fence (Fig. 5/6)

- Disconnect from the mains.
- Move the saw head (4) into the 90° position and tighten the locking grip (10).
- Push down the saw head (4).
- Place the angle with the long grip against the fence, as shown in the illustration.
- Check whether the saw blade (5) is perpendicular to the fence (7).
- If the position has to be corrected, loosen the two fixing screws (13) of the fence (7) and adjust the fence (7) so that it is perpendicular to the saw blade (5).
- Once you have completed the adjustment work, retighten the two fixing screws (13).

C.) 90° cross-cuts and 0° rotary table (Fig. 1/2)

- Press the main switch (3) to turn on the saw.
- Important! The material to be cut must be placed flat on the machining table so that it cannot slip during cutting.
- After switching on the saw, wait for the blade (5) to reach its maximum speed.
- Turn the release button (1) clockwise and, holding the handle (2), lower the machine head smoothly down through the workpiece applying slight pressure.

- When the cut is completed, return the machine to its top parking position and let go of the On/Off switch.
Caution! A return spring causes the machine head to rise automatically at the end of the cut. Do not let go of the handle (2) as soon as the cut is completed but steady the machine head and allow it to rise slowly.

D.) Precision adjustment of the stop for 90° cross-cuts (Fig. 6/7)

- Lower the machine head (4) and fix with the lock pin (16).
- Slacken the locking nut (12).
- Place the stop angle between the saw blade (5) and the rotary table (8).
- Slacken the counter nut (29) and adjust the setting screw (19) until the angle between the saw blade (5) and the rotary table (8) equals 90°.
- Re-tighten the counter nut (29) to fix the machine in this setting.
- Before you start work, check the position of the angle display (11). If necessary, loosen the pointer with a screwdriver for recessed head screws and move it to the 0° position on the angle scale (15). Then retighten the fixing screws.

E.) 90° cross-cuts and 0°-45° rotary table (Fig.6)

The PMS 210/1 can be used to make angled cuts of 0°-45° relative to the stop rail on the left and right side.

- Turn the rotary table (8) by its handle (2) to the angle you want, i.e. the mark on the rotary table has to comply with the required angle dimension (17) on the base plate (9).
- Re-tighten the locking handle (10) in order to fix the rotary table (8) in position.
- Make the cut as described in Section C.).

F.) Mitre cuts 0°-45° and rotary table 0° (Fig. 6/9)

The PMS 210/1 can be used to make mitre cuts of 0°-45° relative to the machine bed on the left side.

- Lift the machine head (4) to its top position.
- Fix the rotary table (8) in 0° position.
- Undo the locking nut (12) and, holding the handle (2), tilt the machine head (4) to the left until the pointer (11) coincides with the required angle dimension (15).
- Re-tighten the locking nut (12) and make the cut as described in Section C.).

G.) Precision adjustment of the stop for 45° mitre cuts (Fig. 2/10)

- Lower the machine head (4) and fix with the lock pin (16).
- Fix the rotary table (8) in 0° position.
- Undo the locking nut (12) and, holding the handle (2), tilt the machine head (4) to the left by 45°
- Place the 45° stop angle between the saw blade (5) and the rotary table (8).
- Slacken the counter nut (24) and adjust the setting screw (18) until the angle between the saw (5) and the rotary table (8) equals exactly 45°.

H.) Mitre cuts 0°-45° and rotary table 0°-45° (Fig. 11)

The PMS 210/1 can be used to make mitre cuts on the left at an angle of 0°-45° relative to the work top and 0°-45° relative to the stop rail.

- Lift the machine head (4) to its top position.
- Release the turntable (8) by loosening the locking grip (10).
- Adjust the rotary table (8) by its handle (2) to the required angle (see also Section D).
- Re-tighten the locking handle (10) to fix the rotary table in position.
- Undo the clamping nut (12) and, holding the handle (2), tilt the machine head (4) to the left to the required angle dimension (see also Section F).
- Re-tighten the clamping nut (12).

I.) Chip extraction (Fig. 2)

The saw is equipped with a chip collection bag (14). The chip bag (14) can be emptied by opening the zip fastener at the bottom.

J.) Replacing the saw blade (Fig. 2/3/4)

- **Always use the correct saw blade for the right task.**
- **Pull out the power plug.**
- Swing up the machine head (4).
- Press the lever and swing up the saw blade guard to the point where the recess in the saw blade guard is above the flange bolt.
- Press the saw shaft lock (26) with one hand while holding the wrench (20) on the flange bolt (27) with the other.
- Firmly press on the saw shaft lock (26) and slowly rotate the flange bolt (27) in clockwise direction. The saw shaft lock engages after no more than one rotation.
- Now, using a little more force, slacken the flange bolt in clockwise direction.
- Turn the flange bolt until it is completely removed.

- Take the blade (5) off the inner flange and pull out downwards.
- Mount the new saw blade in reverse order and fasten.
Important! The cutting bevel of the teeth, i.e. the direction of rotation of the saw blade, has to conform with the direction of the arrow marked on the housing.
- Clean the saw blade flanges thoroughly before mounting the saw blade.
- Reattach the movable blade guard (6) in reverse order.
- Before using the saw again, check that the safety devices are in good working order.
- Important: Every time that you change the saw blade, check to see that it spins freely in the groove of the turntable in both perpendicular and 45° angle settings

10. Ordering replacement parts

Please quote the following data when ordering replacement parts:

- Type of machine
- Article number of the machine
- Model number of the machine
- Replacement part number of the part required

For our latest prices and information please go to www.isc-gmbh.info

8. Operating the laser (Fig. 12/13)

To switch on:

Move the ON/OFF switch (1) to the "I" position.

A laser line is projected onto the material you wish to process, providing an exact cutting line.

To switch off:

Move the ON/OFF switch to the "0" position.

Replacing the battery:

To replace the battery, proceed as shown in Fig. 14. Observe plus and minus signs in accordance with the battery and appliance; replace a whole set of batteries at once; remove batteries from appliance if it will not be used for some time; never dispose of batteries in fire, never attempt to recharge batteries, keep away from children.

9. Maintenance

- Keep the machine's air vents unclogged and clean at all times.
- Remove dust and dirt regularly from the machine. Cleaning is best done with compressed air or a rag.
- Re-lubricate all moving parts at regular intervals.
- Never use caustic agents to clean plastic parts.



Konformitätserklärung

Einhell AG · Wiesenweg 22 · D-94405 Landau/Isar

D erklärt folgende Konformität gemäß EU-Richtlinie und Normen für Artikel
GB declares conformity with the EU Directive and standards marked below for the article
F déclare la conformité suivante selon la directive CE et les normes concernant l'article
NL verklaart de volgende conformiteit in overeenstemming met de EU-richtlijn en normen voor het artikel
E declara la siguiente conformidad a tenor de la directiva y normas de la UE para el artículo
P declara a seguinte conformidade de acordo com a directiva CE e normas para o artigo
S förklarar följande överensstämmelse enl. EU-direktiv och standarder för artikeln
FIN ilmoittaa seuraavaa Euroopan unionin direktiivien ja normien mukaista yhdenmukaisuutta tuotteelle
N erklærer herved følgende samsvar med EU-direktiv og standarder for artikkel
HR заявляє о соответствии товара следующим директивам и нормам ЕС
HR izjavljuje sljedeću uskladenost s odredbama i normama EU za artikl.
RO declară următoarea conformitate cu linia directoare CE și normele valabile pentru articolul.
TR ürün ile ilgili olarak AB Yönetmelikleri ve Normları gereğince aşağıdaki uygunluk açıklama masını sunar.
GR δηλώνει την ακόλουθη συμφώνια σύμφωνα με την Οδηγία ΕΕ και τα πρότυπα για το προϊόν


I dichiara la seguente conformità secondo la direttiva UE e le norme per l'articolo
DK attesterer følgende overensstemmelse i henhold til EU-direktiv og standarder for produkt
CZ prohlašuje následující shodu podle směrnice EU a norem pro výrobek.
H a következő konformitást jelenti ki a termékerekre vonatkozó EU-irányvonalak és normák szerint
SK pojasňuje sledečo skladnost po smernici EU in normah za artikel.
PL deklaruje zgodność wymienionego poniżej artykułu z następującymi normami na podstawie dyrektywy WE.
SK vydáva nasledujúce prehlásenie o zhode podľa smernice EÚ a noriem pre výrobok.
BG декларира следното съответствие съгласно директивите и нормите на ЕС за продукта.
UKR заявляє про відповідність згідно з Директивою ЄС та стандартами, чинними для даного товару
ES deklareerib vastavuse järgnevalele EL direktiivi dele ja normidele
LT deklaruoja atitiktį pagal ES direktyvas ir normas straipsniui
CZ izjavljuje sledeći konformitet u skladu s odredbom EZ i normama za artikl
LV Atbilstības sertifikāts apliecina zemāk minēto preču atbilstību ES direktīvām un standartiem
IS Samræmisýfirlýsing staðfestir eftirfarandi samræmi samkvæmt reglum Evrópubandalagsins og stöðlum fyrir vörur


Kapp- und Gehrungssäge PMS 210/1

- | | |
|----------------------------------------------------------|-------------------------------------------|
| <input checked="" type="checkbox"/> 98/37/EG | <input type="checkbox"/> 87/404/EWG |
| <input checked="" type="checkbox"/> 2006/95/EG | <input type="checkbox"/> R&TTED 1999/5/EG |
| <input type="checkbox"/> 97/23/EG | <input type="checkbox"/> 2000/14/EG: |
| <input checked="" type="checkbox"/> 89/336/EWG_93/68/EEC | <input type="checkbox"/> 95/54/EG: |
| <input type="checkbox"/> 90/396/EWG | <input type="checkbox"/> 97/68/EG: |
| <input type="checkbox"/> 89/686/EWG | |

**EN 61029-2-9; EN 61029-1; EN 55014-1; EN 55014-2;
EN 61000-3-2; EN 61000-3-11; EN 60825-1; EN 60950**

Landau/Isar, den 14.05.2007


Weichselgartner
General-Manager


Baumstark
Product-Management

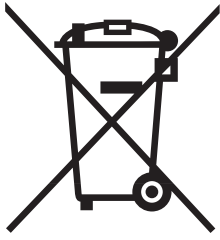
Art.-Nr.: 43.002.84 I.-Nr.: 01017
Subject to change without notice

Archivierung: 4300270-46-4155050

Technical changes subject to change

Helpline No. UK / Northern Ireland 0151 649 1500 Rep. Ireland 189 094 6244
Model Number: PMS 210/1

13



For EU countries only

Never place any electric tools in your household refuse.

To comply with European Directive 2002/96/EC concerning old electric and electronic equipment and its implementation in national laws, old electric tools have to be separated from other waste and disposed of in an environment-friendly fashion, e.g. by taking to a recycling depot.

Recycling alternative to the demand to return electrical devices:

As an alternative to returning the electrical device, the owner is obliged to cooperate in ensuring that the device is properly recycled if ownership is relinquished. This can also be done by handing over the used device to a returns center, which will dispose of it in accordance with national commercial and industrial waste management legislation. This does not apply to the accessories and auxiliary equipment without any electrical components which are included with the used device.

- The product meets the requirements of EN 61000-3-11 and is subject to special connection conditions.
- The product does not meet the requirements of EN 61000-3-3, meaning that use of the product at any freely selectable connection point is not allowed.
- The product is exclusively intended for use at connection points which
 - a) do not exceed a maximum permissible supply impedance Z, or
 - b) which have a continuous current-carrying capacity of the mains of at least 100 A per phase.
- As the user, you are required to ensure, in consultation with your electric power company if necessary, that the connection point at which you wish to operate the product meets one of the two requirements, a) or b), named above.
- The electric power company may impose restrictions for the connection of the product.

The reprinting or reproduction by any other means, in whole or in part, of documentation and papers accompanying products is permitted only with the express consent of ISC GmbH.

WARRANTY CERTIFICATE



Year of manufacture: 2007

Compound Mitre Saw PMS 210/1

Congratulations! You have made an excellent choice with the purchase of this Quality product. Our commitment to quality also includes our service. Should you, contrary to expectations, experience defects due to material or manufacturing faults during private use within 36 months of the date of purchase we shall be liable for warranty in accordance with statutory warranty regulations, provided that:

- The device was not put to any use other than the intended.
- Was not overloaded.
- Was not used with the wrong accessories.
- Repairs were not carried out by any other than the authorised workshop.

The warranty certificate is only valid in connection with the receipt. Please keep both in a safe place. The warranty does not affect your statutory rights.

The product is guaranteed for a period of three years beginning on the day of purchase. Keep your purchase receipt safe as proof of the date of purchase. The guarantee period can only be extended for the duration of any repair required.

During the warranty period, defective devices can be sent FREIGHT PREPAID to the service address stated at the end of this booklet. We will, at our discretion either repair or exchange the device in accordance with warranty legislation.

Please include the following when sending in your product for repair:

1. The receipt (proof of purchase)
2. This warranty certificate with your name, address, contact details and a fault description completed overleaf.

If the original receipt is not enclosed the repair will be charged for in all cases. After the warranty has expired you can still send defective devices for repairs FREIGHT PREPAID to the address at the end of this booklet. Quotes as well as repairs after warranty period are to be paid for in all cases. Ensure the product is sent well packed as no responsibility can be accepted for items lost or damaged in transit. This warranty does not affect your statutory rights.

© Technical changes subject to change



1200W 210mm MITRE SAW WITH LASER

PMS 210/1

If you are requested by the manufacturer to return the item for repair please complete the enclosed section and send it together with your product and your receipt (proof of purchase) to the service address shown below.



Name: _____

Address: _____

Contact Telephone No.: _____

Location of purchase: _____

Fault Description: _____

In order to deal with your enquiry please call our customer helpline on the number shown on this page.

Office hours are as follows:

Mon - Thurs: 08.45 am - 5.00 pm, Fridays: 08.45 am - 3.15 pm

Service:

Einhell UK Ltd
Unit 5 Morpeth Wharf
Twelve Quays
Birkenhead, Wirral
CH 41 1LF

UK / N.IRELAND HELPLINE NO: 0151 649 1500

REP. IRELAND HELPLINE NO: 1890 946 244