

GB Operating instructions for  
Electric Lawn Mower



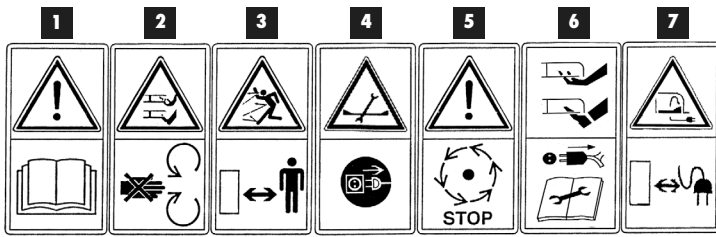
7



Art.-No.: 928040

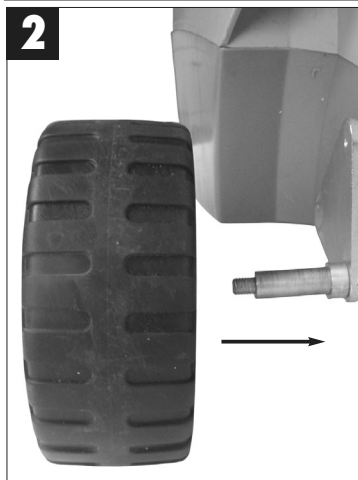
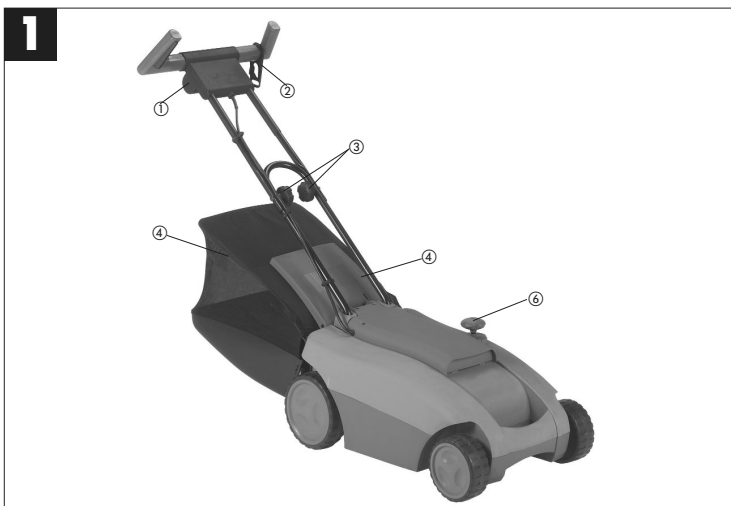
34.003.51  
I.-No.: 01014

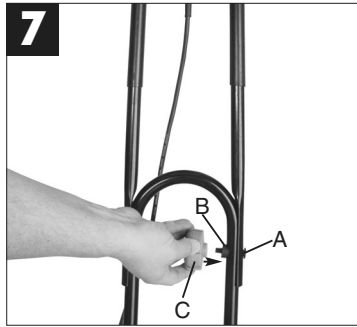
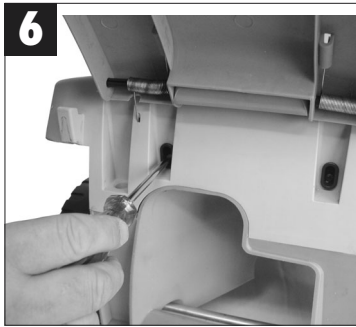
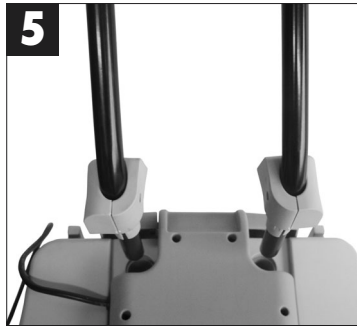
SLM **1500**

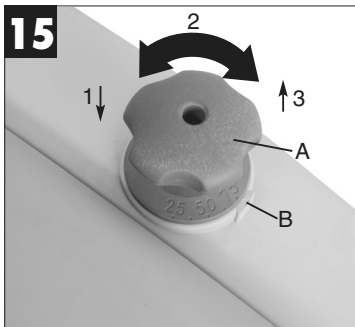
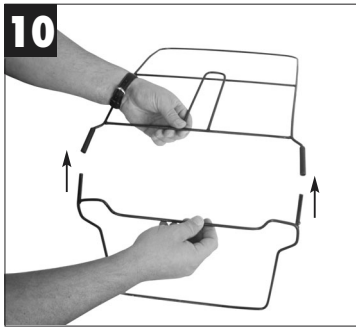


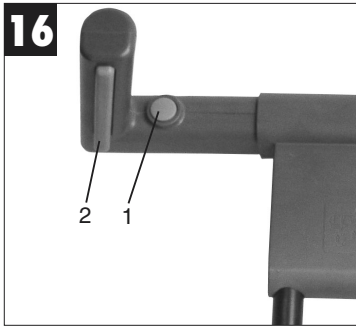
Ⓢ

- 1= Read the directions for use before operating the tool.
- 2= Caution: rotating cutters.
- 3= Keep all other persons away from the danger zone.
- 4= Always pull the power plug before doing any work on the cutting unit.
- 5= Important! The blade will continue to rotate for a while after the motor has been switched off.
- 6= Always switch off the motor and pull the plug before performing any adjustment or cleaning work on the lawn mower, or if the power cable gets caught or damaged.
- 7= Caution! Keep the power cable well clear of the blades!









Before you operate this electric lawn mower, thoroughly read through the following safety regulations as well as the operating instructions.

Familiarize yourself with the operator controls and proper operation of the machine.

Improper operation of the mower can lead to serious injuries.

**This electric lawn mower is designed only for cutting grass.**

### 1. General safety regulations

1. Never allow children or other persons who are not familiar with the operating instructions to use the lawn mower. Contact your local governmental agency for information regarding minimum age requirements for operating the mower.
2. Always disconnect the power cable before carrying out any checks, maintenance or repairs. The person operating the lawn mower is liable for any damages (within the mower's working area) inflicted on third parties that arise from using the machine.
3. Work only in broad daylight or with suitable artificial lighting.
4. Always check the machine for signs of damage before using it.
5. Make sure that all the guards are fitted and that they are in good working order.
6. Never use the machine when you are tired.
7. Never use the machine in enclosed or poorly ventilated areas, or when flammable/explosive liquids, vapors or gases are nearby.
8. Switch off the engine and pull the power plug before dislodging any blockages or clogs in the chute, as well as before carrying out any checks, cleaning, maintenance or other work on the lawn mower, and whenever the mower hits a foreign body.
9. Before using the mower, visually inspect it to ensure that the blade, mounting bolts and the entire cutting apparatus are in good working order (i.e. not worn out or damaged). To prevent any imbalance, replace worn out or damaged blades and mounting bolts as a set only (if applicable).
10. If any parts on the machine are damaged, have them repaired by a specialist. Only original replacement parts may be used.
11. When mounting and dismantling the blade, it is imperative that the instructions are followed and that safety gloves are worn.
12. Examine the site where you want to use the lawn mower and remove all objects that could be struck and thrown up. Foreign objects must be removed before you begin to mow. Watch out for any extension cables you may be using during operation.
13. Always wear sturdy, non-slip footwear and long trousers while mowing. Never mow in bare feet or when wearing light sandals.
14. Either use the lawn mower with a grass basket, or work with the guard flap closed when the basket is not attached.
15. Do not raise the lawn mower when you start the engine.
16. Never move your hands or feet toward or under any rotating parts. Keep clear of the chute opening at all times.
17. Before you disconnect the grass basket to empty it, switch off the engine and wait until the blade has stopped rotating.
18. Always ensure that a safe distance (provided by the length of the long handles) is maintained between the user and the mower housing.
19. Slopes have to be mowed along the slope and not up and down.
20. Do not use the lawn mower on gradients exceeding 15 %.
21. Switch off the motor, pull out the power cable and wait for the blade to come to a standstill before you lift the lawn mower for transporting.
22. Make sure there are no persons and particularly no children or animals in the direct vicinity of the lawn mower while it is being used. Make sure that a safety distance of 10 meters is observed.
23. Store the lawn mower in a dry place that is inaccessible to children.
24. Entrust repairs to the electrical parts of the lawn mower only to a qualified electrician.
25. The power cables used are not to be of a lighter duty class than light rubber-insulated H07RN-F in accordance with DIN 57282/VDE 0282 and they must have a cross section of at least 1.5 mm<sup>2</sup>. Plug connections must have earthing contacts and the couplings must be protected from rainwater. The power cable must be fed through the stress-relief clips of the long handle and be plugged into the switch/plug block. Before use, check the cable for damage and signs of aging. Never mow the lawn with cables that are not in good condition (this applies to the motor cable on the lawn mower as well). If the cable is damaged while mowing, pull the power plug immediately

**GB**

- and only then inspect the damage.
26. Do not tilt the lawn mower when you start the motor unless the mower must be raised off of the ground a little in order to start it. In the latter case, tilt the mower as little as absolutely necessary and only raise the side opposite to that of the user.
  27. If the lawn mower begins to experience exceptionally strong vibrations, immediately switch it off and check it.
  28. Make sure that all nuts, bolts and screws are tightened securely and that the machine is in safe working condition.
  29. If the lawn mower strikes a foreign body, examine it for signs of damage and carry out any necessary repairs before restarting and continuing to work with the mower.
  30. Do not expose the lawn mower to rain. The grass should not be wet or very moist.
  31. Always make sure that you have a solid footing while working with the mower.
  32. Only operate the machine at a walking pace.
  33. Be particularly careful when you change direction on a slope.
  34. Always be extra careful when turning the mower around and when pulling it towards you.
  35. Switch off the lawn mower and ensure that the blade has stopped rotating whenever the mower has to be lifted for transporting over areas other than lawns and whenever it has to be moved from or to the area you want to mow.
  36. Carefully actuate the starter switch in accordance with the manufacturer's instructions. Make sure that your feet are far enough away from the mower blade!
  37. Never lift or carry the lawn mower with the engine running.
  38. Switch off the engine before you leave the lawn mower.
  39. Allow the motor to cool before you put the machine in an enclosed area.
  40. Routinely check the grass basket for signs of wear and impaired functionality.
  41. Switch the lawn mower off and pull the power plug before performing any adjustment or cleaning work to the lawn mower, and before checking to see if the mains connection is entwined or damaged.
  42. Socket couplers to connection elements must be made from rubber, soft PVC or other thermoplastic material of equal rigidity or coated with such material.
  43. When mowing, ensure that you avoid paths that could restrict the free movement of the extension

- cable.
44. Do not switch on repeatedly within a short space of time. In particular, avoid "playing" with the starter switch.
  45. The lawn mower causes voltage fluctuations when running up, which may cause interference with other equipment connected to the power supply if certain unfavorable circumstances pertain in the mains power system. Appropriate measures should be taken if this should be the case (e.g. connect to an alternative electric circuit to the affected equipment, or use the device on an electric circuit with lower impedance).
  46. Please use an RCD with this unit.

**Plug replacement**

Your lawn mower was fit with a fitted plug, however, if you need to replace the fitted plug then follow the instructions below.

**IMPORTANT**

The wires in the mains lead are coloured in accordance with the following code.

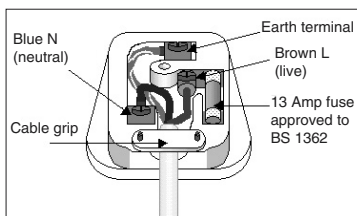
**Blue - Neutral      Brown Live**

As the colours of the wires in the mains lead of this appliance may not correspond with the coloured markings identifying the terminals in your plug, proceed as follows.

The wire which is coloured **blue** must be connected to the terminal which is marked with **N**. The wire which is coloured **brown** must be connected to the terminal which is marked with the letter **L**.

**Warning:** Never connect live or neutral wires to the earth terminal of the plug. Only fit an approved 13 Amp BS1363/A plug and a 13 Amp fuse.

**Note:** If a moulded plug is fitted and has to be removed take great care in disposing of the plug and severed cable. It must be destroyed to prevent engaging into a socket. If the supply cord is damaged it must be replaced by a service agent or a similarly qualified person in order to avoid hazard.





## 2. Assembly drawing (see Fig. 1)

1. Switch/plug block
2. Stress-relief clip
3. Hand wheel
4. Grass basket
5. Chute flap
6. Central height adjustment

## 3. Proper operation

### Power connection

The lawn mower can be connected to all light socket outlets (with 220/230 Volt alternating current). However, only a socket outlet with an earthing contact is permitted, protected with a cable circuit-breaker for 16A.

### Power cable

Please only use power cables that are not damaged. The total length of the power cable should not exceed 50 meters; going beyond this distance will reduce the power output of the electric motor. The power cable must have a cross-section of  $3 \times 1.5 \text{ mm}^2$ . The insulating sheath of lawn mower power cables is frequently damaged. Some of the causes for this are:

- Cuts caused by running over the cable with the lawn mower.
- Pinching when the power cable is dragging under doors and pulled through windows.
- Cracking due to old age of the insulation
- Kinking by improperly fastening or guiding the power cable

Even though power cables with damaged insulation sheaths pose a lethal hazard, some people still use them. Do not make this mistake! Cables, plugs and socket couplers must meet the following requirements listed below. Power cables used to hook up lawn mowers must have a rubber insulation sheath.

The power cables must, at the very minimum, be of type HO5RN-F and 3-stranded. The cable type must be printed somewhere on the power cable. Only purchase power cables that are marked! Plugs and socket couplers for the power cables must be made from rubber and splash-proof. There is a limit to how long power cables can be. Longer power cables require larger conductor cross-sections.

Power cables and connecting lines must be regularly

checked for damage. Ensure that the lines are switched off before checking them. Completely unwind the power cable. Also check power cable entry points, plugs and socket couplers for kinks.

The lawn mower is intended for private use i.e. for use in home and gardening environments.

Private use of the lawn mower refers an annual operating time generally not exceeding that of 50 hours, during which time the machine is primarily used to maintain small-scale, residential lawns and home/hobby gardens. Public facilities, sporting halls, and agricultural/forestry applications are excluded.

The operating instructions as supplied by the manufacturer must be kept and referred to in order to ensure that the lawn mower is properly used and maintained. The instructions contain valuable information on operating, maintenance and servicing conditions.

Important! Due to the high risk of bodily injury to the user, the lawn mower may not be used to trim bushes, hedges or shrubs, to cut scaling vegetation, planted roofs, or balcony-grown grass, to clean (suck up) dirt and debris off walkways, or to chop up tree or hedge clippings. Moreover, the lawn mower may not be used as a power cultivator to level out high areas such as molehills.

For safety reasons the lawn mower must never be used as a drive unit for other working tools and sets of tools of any kind unless expressly permitted by the manufacturer.

## 4. Assembling the lawn mower

The lawn mower is delivered unassembled. The wheels, the push bar assembly and the catch bag must be assembled and mounted before using the lawn mower. Follow the operating instructions step-by-step and use the pictures provided as a visual guide to easily assemble the machine.

### Assembling and mounting the wheels (see Fig. 2 to 4)

Take the lawn mower out of the box. Fit the wheel to the axle (Fig. 2). Fasten the wheel with the supplied hexagon nuts and corresponding washers, using the universal wrench (Fig. 3). Once you have fastened the wheel, fit the wheel cap (Fig. 4). Repeat these

**D**

operations for the other 3 wheels. Make sure that you fit the small wheels at the front of the lawn mower and the large wheels at the back!

**Mounting the push bar (see Fig. 5 to 9)**

Take the lower push bar section and insert it, with the pre-fitted bar holders, in the openings (Fig. 5). Fasten the lower push bar section, as shown in Fig. 6, with the ready-inserted screws. You now have to slide the upper push bar section onto the lower push bar section (Fig. 7). Use the supplied screws (A), the plastic parts (B) and the hand wheel (C) to screw the two tubes together. Finally, fasten the motor cable to the push bar (Fig. 8/Pos. C) with the cable holders (Fig. 9).

**Mounting the grass catch assembly (see Fig. 10 to 14)**

Mount the bar frame as shown in Fig. 10. Pull the grass basket sack over the bar frame (Fig. 11). The grass basket must be fastened to the bar frame as shown in Fig. 12 and 13. To attach the grass basket to the mower, ensure that the motor is switched off first and the blade is stopped rotating. Lift the chute flap (Fig. 1 / Pos. 5) with one hand. Hold the grass basket by the handle with the other hand and insert from above (Fig. 14).

**5. Setting the cutting heights**

Important! Adjust the cutting height only when the engine is switched off and the power cable has been pulled.

Before you begin to mow, check to ensure that the blade is not blunt and that none of the fasteners are damaged. To prevent any imbalance, replace blunt and/or damaged blades. To carry out this check, first switch off the engine and pull the power cable.

To adjust the cutting height, proceed as follows (see Fig. 15):

- To adjust the cutting height, press the button (A) and press/lift the lawn mower down/up. Once the desired adjustment has been made the button (A) must be pulled up again.

**Reading off the cutting height**

The cutting height is adjustable between 25-75 mm in 6 levels and can be read off on the scale (Fig. 15/B).

**6. Starting up**

Connect the power cable to the switch-plug block (Fig. 1 / Pos.1) and secure the power cable with the stress-relief clip (Fig. 1 / Pos.2). Fastening equipment (i.e. cable holders) must be used for the power cable.

**Important!**

In order to prevent the lawn mower from being switched on unintentionally it comes with a safety lock-off (Fig. 16/Pos. 1) which has to be pressed before the starter switch (Fig. 16 / Pos. 2) can be pressed. The lawn mower switches itself off when the switch is released.

Repeat this process several times so that you are sure that the machine functions properly. Before you perform any repair or maintenance work on the machine, ensure that the blade is not rotating and that the power supply is disconnected.

**Important! Never open the chute flap when the catch bag has been detached (to be emptied) and the engine is still running. A rotating blade can cause serious injuries!**

Always carefully fasten the chute flap and grass basket. Switch off the engine before emptying the grass basket.

Always ensure that a safe distance (provided by the length of the long handles) is maintained between the user and the mower housing. Be especially careful when mowing and changing direction on slopes and inclines. Maintain a solid footing and wear sturdy, non-slip footwear and long trousers. Always mow along the incline (not up and down).

For safety reasons, the lawn mower may not be used to mow inclines whose gradient exceeds 15 degrees.

Use special caution when backing up and pulling the lawn mower. Tripping hazard!

**7. Tips for proper mowing**

It is recommended that you overlap mowing paths a little.

Only use a sharp blade that is in good condition. This will prevent the grass blades from fraying and the lawn from turning yellow.

Try to mow in straight lines for a nice, clean look. Inso doing, the mowing swaths should always overlap each other by a few centimeters in order to avoid bare strips.

How frequently you should mow your lawn is determined primarily by the speed at which the grass grows. During the period when the grass grows at its fastest (May - June) you should cut it twice a week, otherwise just once a week. The cutting height should be between 4 - 6cm and the grass should be allowed to grow 4 - 5cm before it is cut again. If the grass has grown somewhat longer, do not make the mistake of cutting it back to the normal height in one go. This will damage the grass. Never cut back more than half the height of the grass at any one time. Keep the underside of the mower housing clean and remove grass build-up. Deposits not only make it more difficult to start the mower; they decrease the quality of the cut and make it harder for the machine to bag the grass. Always mow along inclines (not up and down). Slightly turning the front wheels up the hill while mowing will prevent the mower from sliding out of the straight line.

Select the cutting height according to the length of the grass. If the lawn has grown quite a bit, mow over it several times so that no more than 4 cm of grass are cut at one time.

Switch off the motor before doing any checks on the blade. Keep in mind that the blade continues to rotate for a few seconds after the engine has been switched off. Never attempt to manually stop the blade. Regularly check to see if the blade is securely attached, is in good condition and is sharp. If the contrary is the case, sharpen the blade or replace it. In the event that the blade strikes an object, immediately switch off the lawn mower and wait for the blade to come to a complete stop. Then inspect the condition of the blade and the blade mount. Replace any parts that are damaged.

Lay the power cable on the ground in front of the outlet in a figure 8. Mow away from the outlet or cable and ensure that the power cable always trails in the mowed grass which will prevent the lawn mower from traveling over the cable.

## 8. Mowing

As soon as grass clippings start to trail the lawn mower, it is time to empty the grass basket.

**Important! Before taking off the grass basket, switch off the engine and wait until the blade has come to a stop.**

To take off the grass basket, use one hand to lift up the chute flap and the other to grab onto the basket handle. Remove the basket.

For safety reasons, the chute flap automatically falls down after removing the grass basket and closes off the rear chute opening. If any grass remains in the opening, it will be easier to restart the engine if you pull the mower back approx. 1 meter.

Do not use your hands or feet to remove clippings in or on the mower housing, but instead use suitable tools such as a brush or a hand broom.

In order to ensure that the majority of grass clippings are picked up, the inside of both the catch bag and especially the net must be cleaned after each use.

Reattach the catch bag only when the engine is switched off and the blade is stopped.

Using one hand, lift up the chute flap, while grabbing onto the basket handle with the other. Hang in the basket from the top.

## 9. Maintenance and storage

Maintenance and cleaning work on the lawn mower as well as removal of the safety devices may only be performed when the motor is switched off and the power cable has been pulled. Worn out or damaged blades, blade mounts, and bolts should be replaced as a set by an authorized professional in order to keep the machine in balance.

Do not clean the lawn mower with running water, particularly with high-pressure water. Ensure that all mounting components (i.e. screws, bolts, nuts etc.) are always tightened so that the machine can be safely operated at all times.

Frequently check the grass catch assembly for signs of wear.

Replace excessively worn or damaged parts immediately.

Store your lawn mower in a dry room. In order to ensure that you enjoy your lawn mower for many

**GB**

years to come, all screwed parts, as well as the wheels and axles, should be cleaned and lubricated.

Keeping your hand mower in good condition not only ensures a long lifespan and high performance, but also enables the machine to thoroughly cut your grass with minimal effort. For best results, clean the lawn mower with a brush or rag. Do not use any solvents or water to remove dirt. The cutting components - i.e. the knife cage and lower knife blade - are subjected to more wear and tear than any other component of the unit. Therefore, routinely check the condition of the blade as well as ensure that it is tightly fastened. If the blade is completely worn out, it must be immediately replaced or ground sharp again. An excessively vibrating mower means that the blade is not properly balanced or has become deformed from striking an object. In this case, the blade must be repaired or replaced.

## 10. Replacing the blade

For safety reasons, we recommend having the blade replaced by an authorized professional. Important! Wear work gloves!

Only replace the blade with a genuine Einhell replacement blade, as this will ensure top performance and safety under all conditions.

Carry out the following steps to change the blade:

- Undo the fastening screw.
- Remove the blade and replace with a new one.
- Make sure the new blade faces in the right direction when you fit it. The blade's fly regulators must jut into the motor compartment (see Fig. 18). The dome mounts must match up with the punch holes in the blade (see Fig. 17).
- Finally, retighten the fastening screw using the universal wrench. The tightening torque should be approx. 25 Nm.

At the end of the season, perform a general inspection of the lawn mower and remove any grass and dirt which may have accumulated.

At the start of each season, ensure that you check the condition of the blade.

If repairs are necessary, please contact our customer service center. Use only original replacement parts.

## 11. Waste disposal

### Important!

The lawn mower and its accessories are made of various types of material, such as metal and plastic.

Defective components must be disposed of as special waste. Ask your dealer or your local council.

## 12. Technical data

Voltage:	230 V ~ 50 Hz
Power input:	1500 watts
Motor speed	3400 min <sup>-1</sup>
Cutting width:	38 cm
Cutting height adjustment:	25-75 mm; 6 levels
Volume of catch bag:	48 liters
LPA sound pressure level:	81 dB (A)
LWA sound power level:	96 dB (A)
Vibration at the handlebars:	≤ 2,5 m/s <sup>2</sup>

**13. Troubleshooting guide**

Fault	Possible causes	Remedies
The motor does not start	<ul style="list-style-type: none"> <li>a) The capacitor is defective</li> <li>b) There is no electricity at the plug</li> <li>c) The cable is defective</li> <li>d) The combined switch/plug is defective</li> <li>e) The connectors have become separated from the motor or the capacitor</li> <li>f) The mower is standing in high grass</li> <li>g) The mower housing is clogged</li> </ul>	<ul style="list-style-type: none"> <li>a) The mower housing is clogged Have repaired by the Customer Service Center</li> <li>b) Check the cable and the fuse</li> <li>c) Check the cable</li> <li>d) Have repaired by the Customer Service Center</li> <li>e) Have repaired by the Customer Service Center</li> <li>f) Start in low grass or on an area that has already been mowed; change the cutting height if necessary</li> <li>g) Clean the housing so that the blade moves freely</li> </ul>
The motor performance drops	<ul style="list-style-type: none"> <li>a) The grass is too high or too damp</li> <li>b) The mower housing is clogged</li> <li>c) The blade is severely worn</li> </ul>	<ul style="list-style-type: none"> <li>a) Correct the cutting height</li> <li>b) Clean the housing</li> <li>c) Replace the blade</li> </ul>
Cutting is irregular	<ul style="list-style-type: none"> <li>a) The blade is worn</li> <li>b) Wrong cutting height</li> </ul>	<ul style="list-style-type: none"> <li>a) Replace or sharpen the blade</li> <li>b) Correct the cutting height</li> </ul>

**Important!**

For protection, the motor is equipped with a thermal switch which cuts out when the motor is overloaded and switches on again automatically after a short cooling period.

ISC GmbH  
Eschenstraße 6  
D-94405 Landau/Isar

## Konformitätserklärung



- |                                                                                                                                                                                                                                                                                                                                                                                                                                                                                                                                                                                                                                                                                                                                                                                                                                                                                                                                                                                                                                                                                                                                                                                                                                                                      |                                                                                                                                                                                                                                                                                                                                                                                                                                                                                                                                                                                                                                                                                                                                                                                                                                                                                                                                                                                                                                                                       |
|----------------------------------------------------------------------------------------------------------------------------------------------------------------------------------------------------------------------------------------------------------------------------------------------------------------------------------------------------------------------------------------------------------------------------------------------------------------------------------------------------------------------------------------------------------------------------------------------------------------------------------------------------------------------------------------------------------------------------------------------------------------------------------------------------------------------------------------------------------------------------------------------------------------------------------------------------------------------------------------------------------------------------------------------------------------------------------------------------------------------------------------------------------------------------------------------------------------------------------------------------------------------|-----------------------------------------------------------------------------------------------------------------------------------------------------------------------------------------------------------------------------------------------------------------------------------------------------------------------------------------------------------------------------------------------------------------------------------------------------------------------------------------------------------------------------------------------------------------------------------------------------------------------------------------------------------------------------------------------------------------------------------------------------------------------------------------------------------------------------------------------------------------------------------------------------------------------------------------------------------------------------------------------------------------------------------------------------------------------|
| <p><b>(D)</b> erklårt folgende Konformität gemäß EU-Richtlinie und Normen für Artikel</p> <p><b>(GB)</b> declares conformity with the EU Directive and standards marked below for the article</p> <p><b>(F)</b> déclare la conformité suivante selon la directive CE et les normes concernant l'article</p> <p><b>(NL)</b> verklaart de volgende conformiteit in overeenstemming met de EU-richtlijn en normen voor het artikel</p> <p><b>(E)</b> declara la siguiente conformidad a tenor de la directiva y normas de la UE para el artículo</p> <p><b>(P)</b> declara a seguinte conformidade de acordo com a directiva CE e normas para o artigo</p> <p><b>(S)</b> förklarar följande överensstämmelse enl. EU-direktiv och standarder för artikeln</p> <p><b>(FIN)</b> ilmoittaa seuraavaa Euroopan unionin direktiivien ja normien mukaista yhdenmukaista tuotetta</p> <p><b>(DK)</b> erklærer herved følgende samsvar med EU-direktiv og standarder for artikkel</p> <p><b>(BUL)</b> заявяват о соответствии товара следуюцим директивам и нормам ЕС</p> <p><b>(HR)</b> izjavjuje sljedeću usklađenost s odredbama i normama EU za artikl.</p> <p><b>(RO)</b> declară următoarea conformitate cu linia directoare CE și normele valabile pentru articolul.</p> | <p><b>(TR)</b> ürün ile ilgili olarak AB Yönelmelikleri ve Normları gereğince aşağıdaki uygunluk açıklama masını sunar.</p> <p><b>(GR)</b> δηλώνει την ακόλουθη συμφωνία σύμφωνα με την Οδηγία ΕΕ και τα πρότυπα για το προϊόν</p> <p><b>(I)</b> dichiara la seguente conformità secondo la direttiva UE e le norme per l'articolo</p> <p><b>(DK)</b> atterer følgende overensstemmelse i henhold til EU-direktiv og standarder for produkt</p> <p><b>(CZ)</b> prohlašuje následující shodu podle směrnice EU a norem pro výrobek.</p> <p><b>(H)</b> a következő konformitást jelenti ki a termékre vonatkozó EU-irányvonalak és normák szerint</p> <p><b>(SK)</b> rojasňuje sledečo skladnost po smernici EU in normah za artikel.</p> <p><b>(PL)</b> deklaruje zgodność wymienionego poniżej artykułu z następującymi normami na podstawie dyrektywy WE.</p> <p><b>(SK)</b> vydáva nasledujúce prehlásenie o zhode podľa smernice EÚ a noriem pre výrobok.</p> <p><b>(BG)</b> декларира следното съответствие съгласно директивите и нормите на ЕС за продукта.</p> |
|----------------------------------------------------------------------------------------------------------------------------------------------------------------------------------------------------------------------------------------------------------------------------------------------------------------------------------------------------------------------------------------------------------------------------------------------------------------------------------------------------------------------------------------------------------------------------------------------------------------------------------------------------------------------------------------------------------------------------------------------------------------------------------------------------------------------------------------------------------------------------------------------------------------------------------------------------------------------------------------------------------------------------------------------------------------------------------------------------------------------------------------------------------------------------------------------------------------------------------------------------------------------|-----------------------------------------------------------------------------------------------------------------------------------------------------------------------------------------------------------------------------------------------------------------------------------------------------------------------------------------------------------------------------------------------------------------------------------------------------------------------------------------------------------------------------------------------------------------------------------------------------------------------------------------------------------------------------------------------------------------------------------------------------------------------------------------------------------------------------------------------------------------------------------------------------------------------------------------------------------------------------------------------------------------------------------------------------------------------|

### Electric Lawn Mower SLM 1500

- |                                                          |                                                                                                                                      |
|----------------------------------------------------------|--------------------------------------------------------------------------------------------------------------------------------------|
| <input checked="" type="checkbox"/> 98/37/EG             | <input type="checkbox"/> 87/404/EWG                                                                                                  |
| <input checked="" type="checkbox"/> 73/23/EWG_93/68/EEC  | <input type="checkbox"/> R&TTD 1999/5/EG                                                                                             |
| <input type="checkbox"/> 97/23/EG                        | <input checked="" type="checkbox"/> 2000/14/EG: $L_{WM} = 94 \text{ dB}$ ; $L_{WA} = 96 \text{ dB}$<br>$\varnothing = 38 \text{ cm}$ |
| <input checked="" type="checkbox"/> 89/336/EWG_93/68/EEC | <input type="checkbox"/> 95/54/EG:                                                                                                   |
| <input type="checkbox"/> 90/396/EWG                      | <input type="checkbox"/> 97/68/EG:                                                                                                   |
| <input type="checkbox"/> 89/686/EWG                      |                                                                                                                                      |

EN 836; EN 60335-1; EN 60335-2-77; DIN VDE 0700 T206; EN 55014-1;  
EN 55014-2; EN 61000-3-2; EN 61000-3-3;  
TÜV-Süd Deutschland Bau und Betrieb KBV VI; OR/10532/04

Landau/Isar, den 16.11.2004

Wechsungartner  
Leiter QS Konzern

Ensing  
Leiter Technik EC

Art.-Nr.: 34.003.51 I.-Nr.: 01014 Archivierung: 3400350-06-4175500-E  
Subject to change without notice

## GARANTIEURKUNDE

Auf das in der Anleitung bezeichnete Gerät geben wir 2 Jahre Garantie, für den Fall, dass unser Produkt mangelhaft sein sollte. Die 2-Jahres-Frist beginnt mit dem Gefahrenübergang oder der Übernahme des Gerätes durch den Kunden. Voraussetzung für die Geltendmachung der Garantie ist eine ordnungsgemäße Wartung entsprechend der Bedienungsanleitung sowie die bestimmungsgemäße Benutzung unseres Gerätes.

**Selbstverständlich bleiben Ihnen die gesetzlichen Gewährleistungsrechte innerhalb dieser 2 Jahre erhalten.** Die Garantie gilt für den Bereich der Bundesrepublik Deutschland oder der jeweiligen Länder des regionalen Hauptvertriebspartners als Ergänzung der lokal gültigen gesetzlichen Vorschriften. Bitte beachten Sie Ihren Ansprechpartner des regional zuständigen Kundendienstes oder die unten aufgeführte Serviceadresse.

Sovereign Customer Helpline 0044 (0) 151 649 1500

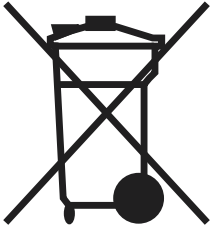
### © WARRANTY CERTIFICATE

The product described in these instructions comes with a 2 year warranty covering defects. This 2-year warranty period begins with the passing of risk or when the customer receives the product. Please retain receipt as proof of purchase.

For warranty claims to be accepted, the product has to receive the correct maintenance and be put to the proper use as described in the operating instructions.

**Your statutory rights of warranty are naturally unaffected during these 2 years.**

This warranty applies in Germany, or in the respective country of the manufacturer's main regional sales partner, as a supplement to local regulations. Please note the details for contacting the customer service center responsible for your region or the service address listed below.



♻️ Recycling alternative to the demand to return electrical devices:

As an alternative to returning the electrical device, the owner is obliged to cooperate in ensuring that the device is properly recycled if ownership is relinquished. This can also be done by handing over the used device to a returns center, which will dispose of it in accordance with national commercial and industrial waste management legislation. This does not apply to the accessories and auxiliary equipment without any electrical components which are included with the used device.

♻️ For EU countries only

Never place any electric tools in your household refuse.

To comply with European Directive 2002/96/EC concerning old electric and electronic equipment and its implementation in national laws, old electric tools have to be separated from other waste and disposed of in an environment-friendly fashion, e.g. by taking to a recycling depot.



The reprinting or reproduction by any other means, in whole or in part, of documentation and papers accompanying products is permitted only with the express consent of ISC GmbH.

⚙️ Technical specifications subject to change

EH 11/2004