



# Einhell

**BLUE**

## BT-CS 860 L Mini Circular Saw

Art.-No. 43.309.55

### Features

- Continuously adjustable cutting depth (1)
- Dust extraction
- Laser (2)

### Standard accessories

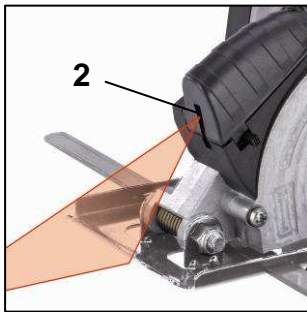
- TCT saw blade with 20 teeth (3)
- HSS saw blade with 80 teeth (4)
- Dust extraction adapter
- Tool for saw blade change
- Parallel guide (5)
- Transport and storage case (6)

### Technical Data

- Mains: 230 – 240 V ~ 50 Hz
- Power: 450 W
- Idle speed: 6,000 rpm
- Cutting depth: max. 25 mm
- Saw blade center hole: Ø 10 mm
- TCT saw blade: Ø 85 x Ø 10 x 1.6 mm, 20 T
- HSS saw blade: Ø 85 x Ø 10 x 1.6 mm, 80 T
- Product weight: 1.6 kg

### Logistic Data

- Net weight: 2.0 kg
- Gross weight: 2.1 kg
- Packing dimensions: 420 x 120 x 300 mm
- Bar code: 4006825 572377
- Sales unit: 4 pcs



### As special accessory available:

**Saw blade kit**  
85 x 10 mm, 6 pcs

Art.-No.: 45.021.28  
Bar code: 4006825 575347