



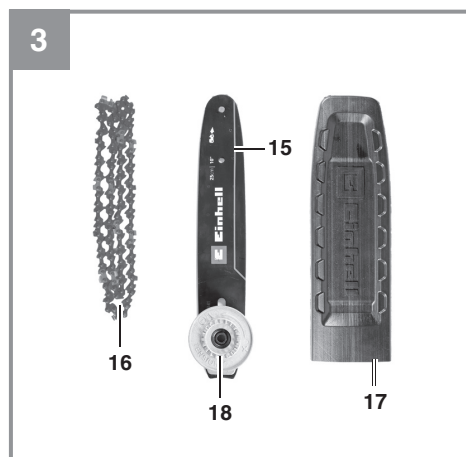
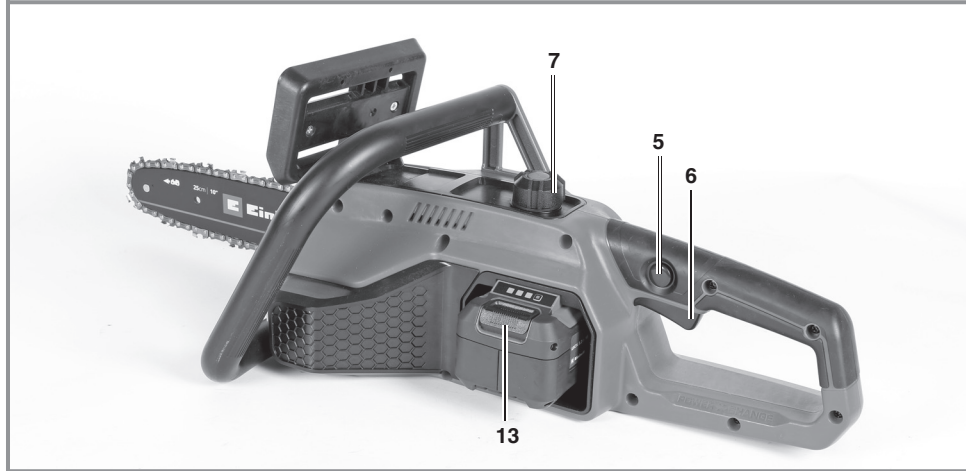
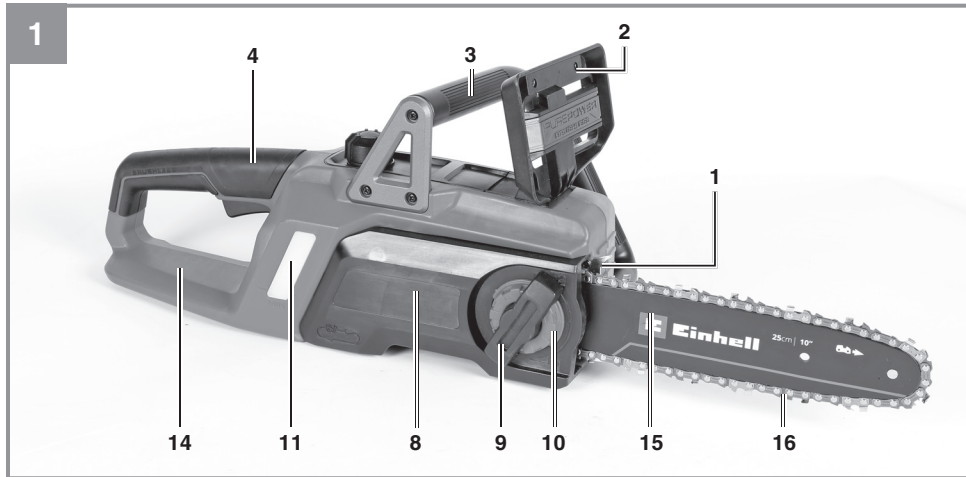
GE-LC 18/25 Li BL

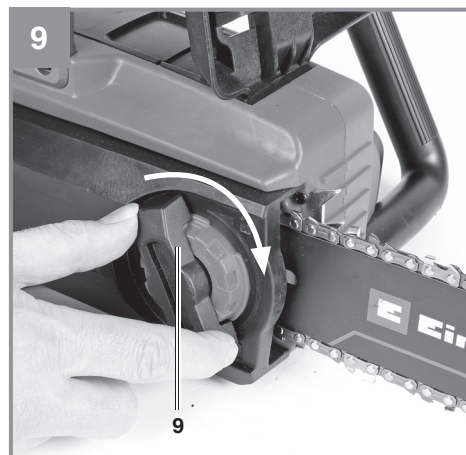
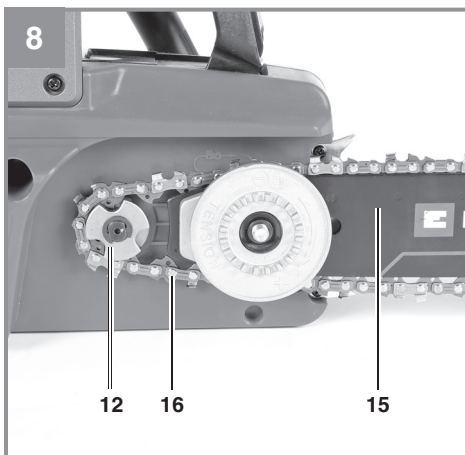
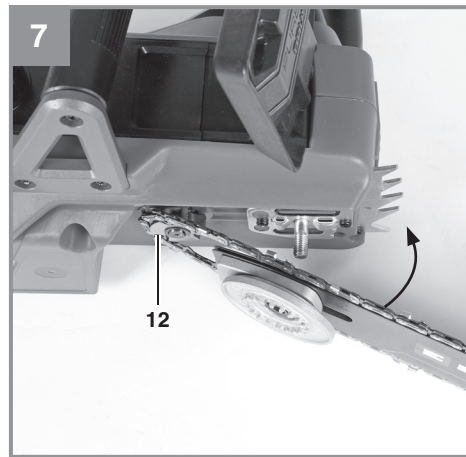
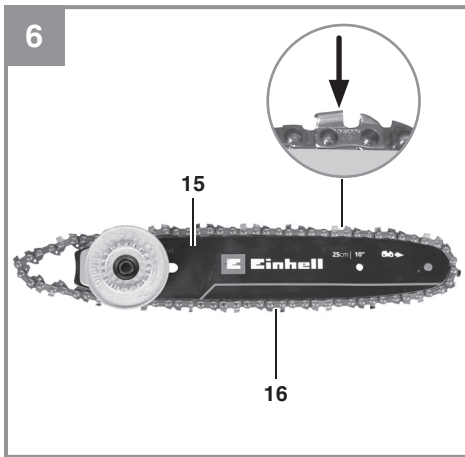
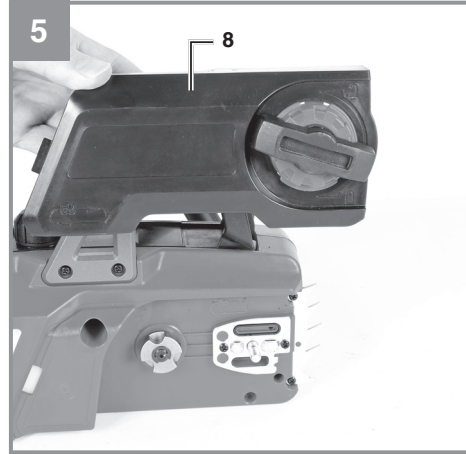
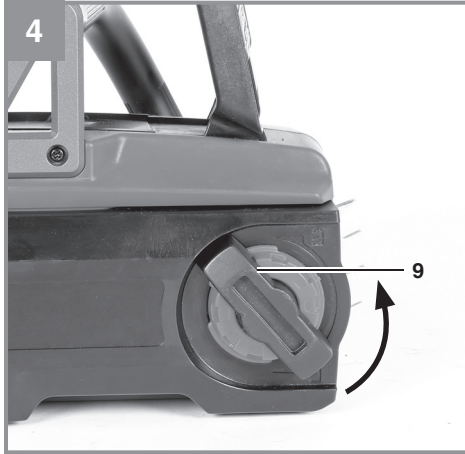
- EN Operating instructions
Cordless Chain Saw
- FR Mode d'emploi
Scie à chaîne sans fil
- SP Manual de instrucciones
Motosierra inalámbrica

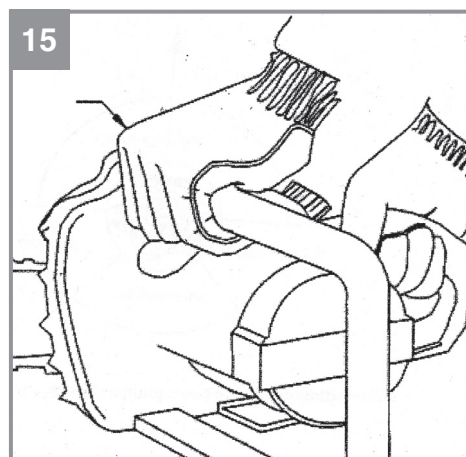
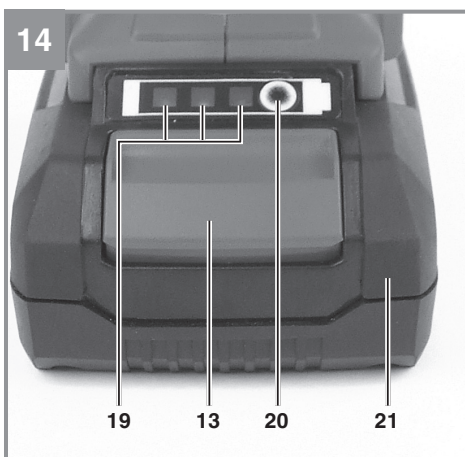
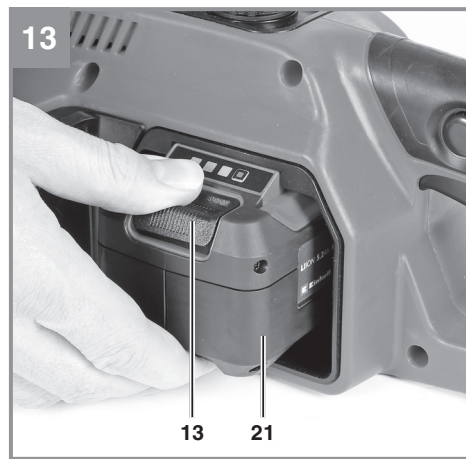
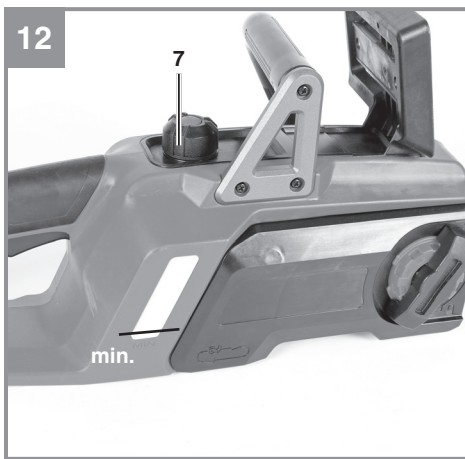
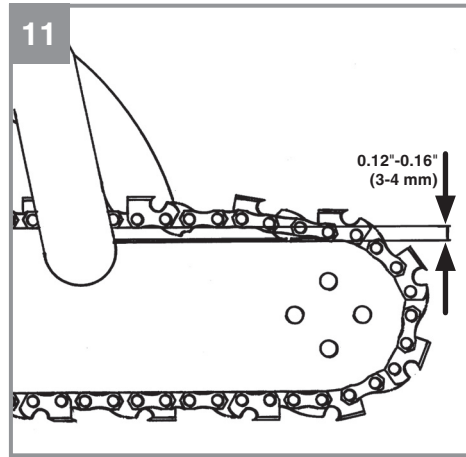
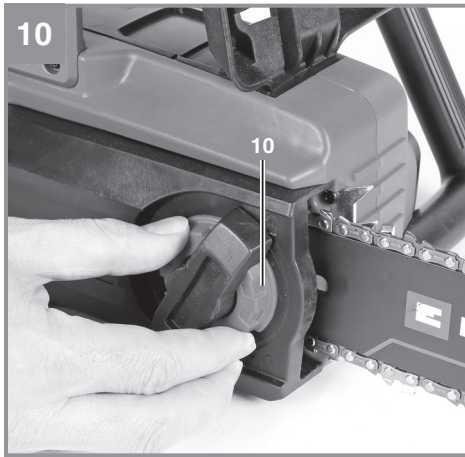


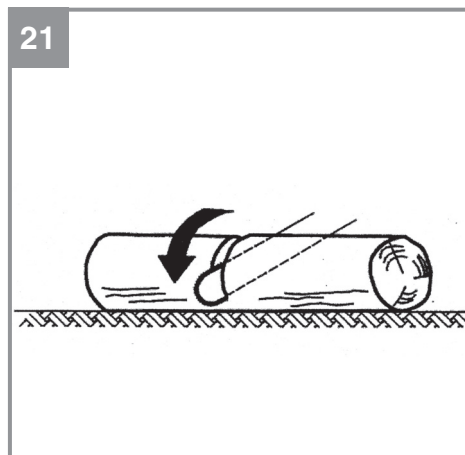
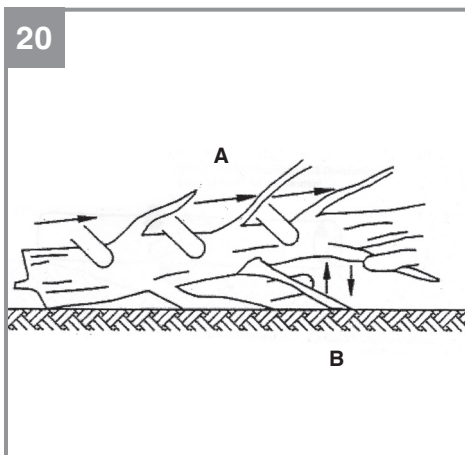
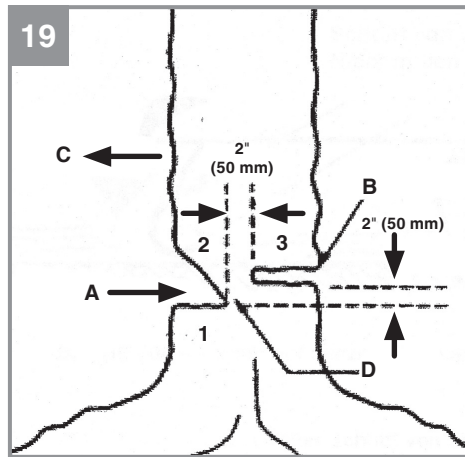
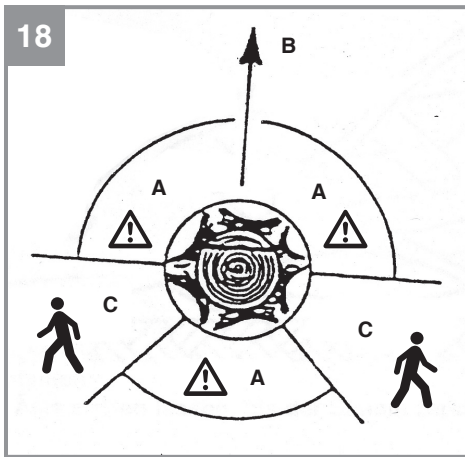
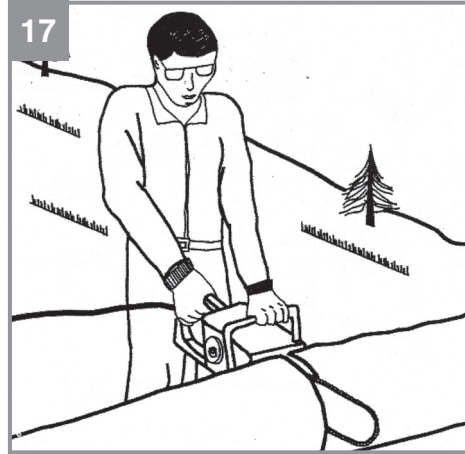
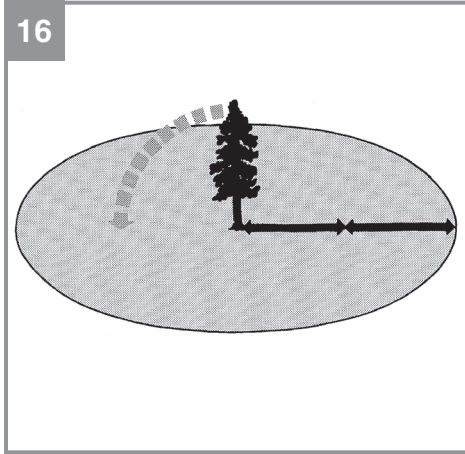
Art.-Nr.: 4600071

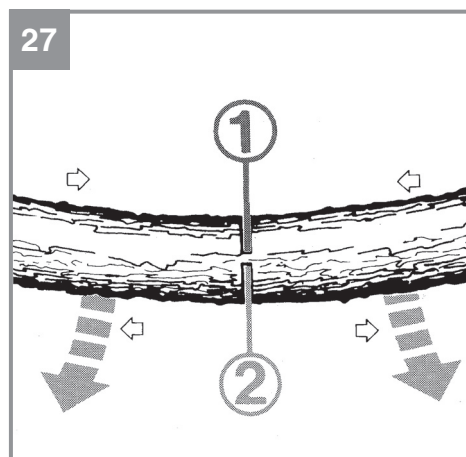
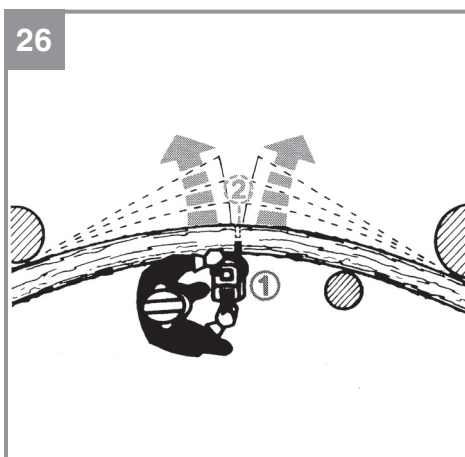
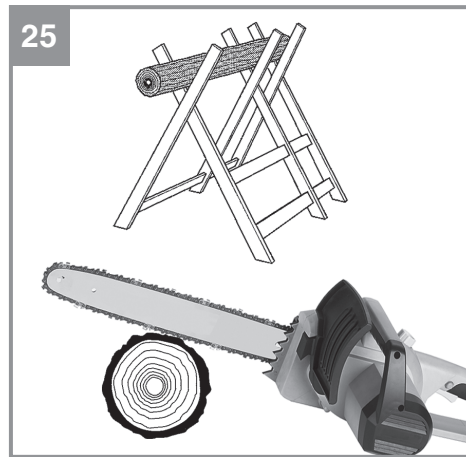
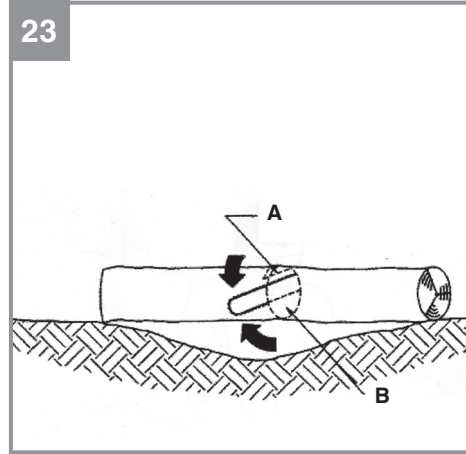
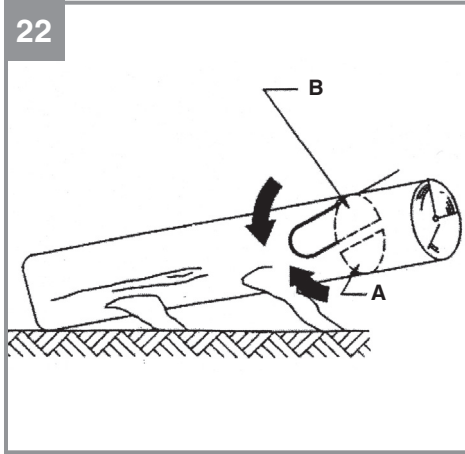
I.-Nr.: 21015

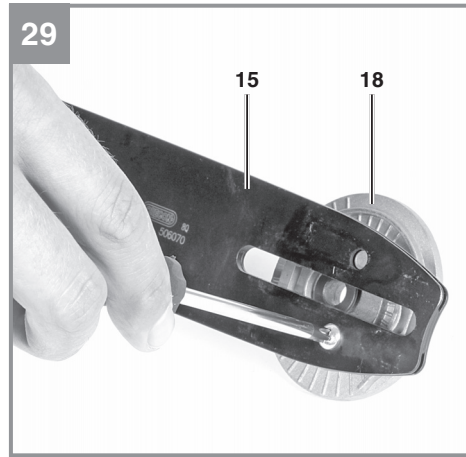














Danger! - Read the operating instructions to reduce the risk of injury.



Caution! Wear ear-muffs. The impact of noise can cause damage to hearing.



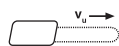
Caution! Wear safety goggles. Sparks generated during work or splinters, chips and dust emitted by the equipment can cause loss of sight.



Store the battery only in dry rooms with an ambient temperature of 50°F to 104°F (+10°C to +40°C). Place only fully charged battery in storage (charged at least 40%).



Never expose the device to rain.



Maximum chain speed.



Unlock chain brake before putting into operation!



The battery must be removed from the tool before it is disposed of. How to dispose of battery: Battery is not allowed in household waste.



Always hold the cordless chain saw firmly with both hands.



Kick-back may result in fatal injuries from cuts.

DANGER!

When using the equipment, a number of safety precautions must be observed to avoid injuries and damage. Please read the complete operating instructions and safety information with due care. Keep these operating instructions in a safe place so that the information is available at all times. If you give the equipment to any other person, hand over these operating instructions and the safety information as well. We cannot accept any liability for damage or accidents which arise due to failure to follow these instructions and the safety information.

1. Safety information

DANGER!

Read all the safety information and instructions. Failure to adhere to the safety information and instructions set out below may result in electric shock, fire and/or serious injury. **Keep all the safety information and instructions in a safe place for future use.**

General safety information for power tools

The term "power tool" used in the safety regulations refers to power tools operated from the mains power supply (with a power cable) and to battery operated power tools (without a power cable).

1) Work area safety

- a) **Keep work area clean and well lit.** *Cluttered and dark areas invite accidents.*
- b) **Do not operate power tools in explosive atmospheres, such as in the presence of flammable liquids, gases or dust.** *Power tools create sparks which may ignite the dust or fumes.*
- c) **Keep children and bystanders away while operating a power tool.** *Distractions can cause you to lose control.*

2) Electrical safety

- a) **Power tool plugs must match the outlet. Never modify the plug in any way. Do not use any adapter plugs with earthed (grounded) power tools.** *Unmodified plugs and matching outlets will reduce risk of electric shock.*
- b) **Avoid body contact with earthed or grounded surfaces such as pipes, radiators, ranges and refrigerators.** *There*

is an increased risk of electric shock if your body is earthed or grounded.

- c) **Do not expose power tools to rain or wet conditions.** *Water entering a power tool will increase the risk of electric shock.*
 - d) **Do not abuse the cord. Never use the cord for carrying, pulling or unplugging the power tool. Keep cord away from heat, oil, sharp edges or moving parts.** *Damaged or entangled cords increase the risk of electric shock.*
 - e) **When operating a power tool outdoors, use an extension cord suitable for outdoor use.** *Use of a cord suitable for outdoor use reduces the risk of electric shock.*
 - f) **If operating a power tool in a damp location is unavoidable, use a ground fault circuit interruptor (GFCI) protected supply.** *Use of an GFCI reduces the risk of electric shock.*
- #### 3) Personal safety
- a) **Stay alert, watch what you are doing and use common sense when operating a power tool. Do not use a power tool while you are tired or under the influence of drugs, alcohol or medication.** *A moment of inattention while operating power tools may result in serious personal injury.*
 - b) **Use personal protective equipment. Always wear eye protection.** *Protective equipment such as dust mask, non-skid safety shoes, hard hat, or hearing protection used for appropriate conditions will reduce personal injuries.*
 - c) **Prevent unintentional starting. Ensure the switch is in the Off-position before connecting to power source and/or BATTERY pack, picking up or carrying the tool.** *Carrying power tools with your finger on the switch or energizing power tools that have the switch on invites accidents.*
 - d) **Remove any adjusting key or wrench before turning the power tool on.** *A wrench or a key left attached to a rotating part of the power tool may result in personal injury.*
 - e) **Do not overreach. Keep proper footing and balance at all times.** *This enables better control of the power tool in unexpected situations.*
 - f) **Dress properly. Do not wear loose clothing or jewellery. Keep your hair, clothing and gloves away from moving parts.** *Loose clothes, jewellery or long hair*

- can be caught in moving parts.
- g) **If devices are provided for the connection of dust extraction and collection facilities, ensure these are connected and properly used.** *Use of these devices can reduce dust related hazards.*
- h) **Do not let familiarity gained from frequent use of tools allow you to become complacent and ignore tool safety principles.** *A careless action can cause severe injury within a fraction of a second.*
- 4) Power tool use and care**
- a) **Do not force the power tool. Use the correct power tool for your application.** *The correct power tool will do the job better and safer at the rate for which it was designed.*
- b) **Do not use the power tool if the switch does not turn it on and off.** *Any power tool that cannot be controlled with the switch is dangerous and must be repaired.*
- c) **Disconnect the plug from the power source and/or remove the battery pack, if detachable, from the power tool before making any adjustments, changing accessories, or storing power tools.** *Such preventive safety measures reduce the risk of starting the power tool accidentally.*
- d) **Store idle power tools out of the reach of children and do not allow persons unfamiliar with the power tool or these instructions to operate the power tool.** *Power tools are dangerous in the hands of untrained users.*
- e) **Maintain power tools and accessories. Check for misalignment or binding of moving parts, breakage of parts and any other condition that may affect the power tool's operation. If damaged, have the power tool repaired before use.** *Many accidents are caused by poorly maintained power tools.*
- f) **Keep cutting tools sharp and clean.** *Properly maintained cutting tools with sharp cutting edges are less likely to bind and are easier to control.*
- g) **Use the power tool, accessories and tool bits etc., in accordance with these instructions and in the manner intended for the particular type of power tool, taking into account the working conditions and the work to be performed.** *Use of the power tool for operations different from intended could result in a hazardous situation.*
- h) **Keep handles and grasping surfaces dry, clean and free from oil and grease.** *Slippery handles and grasping surfaces do not allow for safe handling and control of the tool in unexpected situations.*
- 5) Battery tool use and care**
- a) **Recharge only with the charger specified by the manufacturer.** *A charger that is suitable for one type of battery pack may create a risk of fire when used with another battery pack.*
- b) **Use power tools only with specifically designated battery packs.** *Use of any other battery packs may create a risk of injury and fire.*
- c) **When battery pack is not in use, keep it away from other metal objects, like paper clips, coins, keys, nails, screws or other small metal objects that can make a connection from one terminal to another.** *Shorting the battery terminals together may cause burns or a fire.*
- d) **Under abusive conditions, liquid may be ejected from the battery; avoid contact. If contact accidentally occurs, flush with water. If liquid contacts eyes, additionally seek medical help.** *Liquid ejected from the battery may cause irritation or burns.*
- e) **Do not use a BATTERY pack or tool that is damaged or modified.** *Damaged or modified batteries may exhibit unpredictable behavior resulting in fire, EXPLOSION or risk of injury.*
- f) **Do not expose a BATTERY pack or tool to fire or excessive temperature.** *Exposure to fire or temperature above 266°F (130°C) may cause explosion.*
- g) **Follow all charging instructions and do not charge the BATTERY pack or tool outside the temperature range specified in the instructions.** *Charging improperly or at temperatures outside the specified range may damage the BATTERY and increase the risk of fire.*
- 6) Service**
- a) **Have your power tool serviced by a qualified repair person using only identical replacement parts.** *This will ensure that the safety of the power tool is maintained.*
- b) **Never service damaged BATTERY packs.** *Service of BATTERY packs should only be*

performed by the manufacturer or authorized service providers.

Additional safety instructions

We pay a great deal of attention to the design of every battery pack to ensure that we supply you with batteries which feature maximum power density, durability and safety. The battery cells have a wide range of safety devices. Each individual cell is initially formatted and its electrical characteristic curves are recorded. These data are then used exclusively to be able to assemble the best possible battery packs.

Despite all the safety precautions, caution must always be exercised when handling batteries. The following points must be obeyed at all times to ensure safe use. Safe use can only be guaranteed if undamaged cells are used. Incorrect handling can cause cell damage.

Caution! Analyses confirm that incorrect use and poor care are the main causes of the damage caused by high performance batteries.

Information about the battery

1. The battery pack supplied with your cordless tool is not charged. The battery pack has to be charged before you use the tool for the first time.
2. For optimum battery performance avoid low discharge cycles. Charge the battery pack frequently.
3. Store the battery pack in a cool place, ideally at 59°F (15°C) and charged to at least 40%.
4. Lithium-Ion batteries are subject to a natural ageing process. The battery pack must be replaced at the latest when its capacity falls to just 80% of its capacity when new. Weakened cells in an aged battery pack are no longer capable of meeting the high power requirements and therefore pose a safety risk.
5. Do not throw battery packs into an open fire. There is a risk of explosion!
6. Do not ignite the battery pack or expose it to fire.
7. **Do not exhaustively discharge batteries.** Exhaustive discharge will damage the battery cells. The most common cause of deep discharge is lengthy storage or non-use of partly discharged batteries. Stop working as soon as the performance of the battery falls noticeably or the electronic protection system triggers. Place the battery pack in storage only after it has been fully charged.

8. **Protect batteries and the tool from overloads.** Overloads will quickly result in overheating and cell damage inside the battery housing without this overheating actually being apparent externally.
9. **Avoid damage and shocks.** Replace batteries which have been dropped from a height of more than one meter or which have been exposed to violent shocks without delay, even if the housing of the battery pack appears to be undamaged. The battery cells inside the battery may have suffered serious damage. In this respect, please also read the waste disposal information.
10. If the battery pack suffers overloading and overheating, the integrated protective cut-off will switch off the equipment for safety reasons. Caution! Do not press the ON/OFF switch any more if the protective cut-off has actuated. This may damage the battery.
11. Use only original battery packs. The use of other batteries may result in injuries, explosion and a fire risk.
12. **Protect your rechargeable battery against moisture, rain and high humidity.** Moisture, rain and high humidity can cause dangerous cell damage. Never charge or work with batteries which have been exposed to moisture, rain or high humidity – replace them immediately.
13. If your equipment is fitted with a detachable battery, remove the battery for safety reasons after you have finished your work.

Information on chargers and the charging process

1. Please check the data marked on the rating plate of the battery charger. Be sure to connect the battery charger to a power supply with the voltage marked on the rating plate. Never connect it to a different mains voltage.
2. Protect the battery charger and its cable from damage and sharp edges. Have damaged cables repaired without delay by a qualified electrician.
3. Keep the battery charger, batteries and the cordless tool out of children's reach.
4. Do not use damaged battery chargers.
5. Do not use the supplied battery charger to charge other cordless tools.
6. In heavy use the battery pack will become warm. Allow the battery pack to cool to room temperature before commencing with the charging.
7. **Do not over-charge batteries.** Do not

exceed the maximum charging times. These charging times apply only to discharged batteries. Frequent insertion of a charged or partly charged battery pack will result in over-charging and cell damage. Do not leave batteries in the charger for more than 48 hours.

8. **Never use or charge batteries if you suspect that the last time they were charged was more than 12 months previously.** There is a high probability that the battery pack has already suffered dangerous damage (exhaustive discharge).
9. Charging batteries at a temperature below 50°F (10°C) will cause chemical damage to the cell and may cause a fire.
10. Do not use batteries which have heated during the charging process, as the battery cells may have suffered dangerous damage.
11. Do not use batteries which have suffered curvature or deformation during the charging process or which show other non-typical symptoms (gassing, hissing, cracking,...)
12. Never fully discharge the battery pack (recommended depth of discharge max. 80%) A complete discharge of the battery pack will lead to premature ageing of the battery cells.
13. Never charge the batteries unsupervised.

Protection from environmental influences

1. Wear suitable work clothes. Wear safety goggles.
2. **Protect your cordless tool and the battery charger from moisture and rain.** Moisture and rain can cause dangerous cell damage.
3. Do not use the cordless tool or the battery charger near vapors and inflammable liquids.
4. Use the battery charger and cordless tools only in dry conditions and an ambient temperature of 50°F to 104°F (10°C to 40°C).
5. Do not keep the battery charger in places where the temperature is liable to reach over 104°F (40°C). In particular, do not leave the battery charger in a car that is parked in the sunshine.
6. **Protect batteries from overheating.** Overloads, over-charging and exposure to direct sunlight will result in overheating and cell damage. Never charge or work with batteries which have been overheated – replace them immediately if possible.
7. **Storage of batteries, battery chargers and cordless tools.** Store the charger and your cordless tool only in dry places with an

ambient temperature of 50°F to 104°F (10°C to 40°C). Store the Lithium-Ion rechargeable battery in a cool and dry place at 50°F to 68°F (10°C to 20°C). Protect them from humidity and direct sunlight! Place only fully charged batteries in storage (charged at least 40%).

8. Prevent the Lithium-Ion battery pack from freezing. Battery packs which were stored below 32°F (0°C) for more than 60 minutes must be disposed of.
9. When handling batteries beware of electrostatic charge: Electrostatic discharges cause damage of the electronic protection system and the battery cells. Avoid electrostatic charging and never touch the battery poles.

Battery Caution + Disposal

Disposal

Should your appliance need replacement after extended use, do not dispose of it with the household refuse, but in an environmentally safe way.



Waste produced by electrical machine items should not be handled like normal household rubbish. Please recycle where recycle facilities exist. Check with your local authority or retailer for recycling advice.

Always dispose of your battery pack according to federal, state, provincial and local regulations. Contact a recycling agency in your area for recycling locations.

⚠ CAUTION! Even discharged battery packs contain some energy. Before disposing, use electrical tape to cover the terminals to prevent the battery pack from shorting, which could cause a fire or explosion.

⚠ WARNING! To reduce the risk of injury or explosion, never burn or incinerate a battery pack even if it is damaged, dead, or completely discharged. When burned, toxic fumes and materials are emitted into the surrounding atmosphere.

1. Batteries vary according to device. Consult your manual for specific information.
2. Install only new batteries of the same type in your product (where applicable).
3. Failure to insert batteries in the correct polarity, as indicated in the battery compartment or manual, may shorten the life of the batteries or cause batteries to leak.
4. Do not mix old and new batteries.
5. Do not mix Alkaline, Standard (Carbon-Zinc),

- or Rechargeable (Nickel Cadmium, Nickel Metal Hydride, or Lithium-Ion) batteries.
6. Do not dispose of batteries in fire.
 7. Batteries should be recycled or disposed of as per state, provincial and local guidelines.

When shipping or disposing of batteries and cordless tools, always ensure that they are packed individually in plastic bags to prevent short circuits and fires.

Chain saw safety warnings

1. **Keep all parts of the body away from the saw chain when the chain saw is operating. Before you start the chain saw, make sure the saw chain is not contacting anything.** A moment of inattention while operating chain saws may cause entanglement of your clothing or body with the saw chain.
2. **Always hold the chain saw with your right hand on the rear handle and your left hand on the front handle.** Holding the chain saw with a reversed hand configuration increases the risk of personal injury and should never be done.
3. **Hold the power tool by insulated gripping surfaces only, because the saw chain may contact hidden wiring.** Saw chains contacting a "live" wire may make exposed metal parts of the power tool "live" and could give the operator an electric shock.
4. **Wear eye protection. Further protective equipment for hearing, head, hands, legs and feet is recommended.** Adequate protective equipment will reduce personal injury from flying debris or accidental contact with the saw chain.
5. **Do not operate a chain saw, on a ladder, from a rooftop, or any unstable support. Operation of a chain saw in this manner could result in serious personal injury.**
6. **Do not operate a chain saw in a tree unless you have been specifically trained to do so. Operation of a chain saw in a tree without proper training could increase the risk of serious personal injury.**
7. **Always keep proper footing and operate the chain saw only when standing on fixed, secure and level surface.** Slippery or unstable surfaces such as ladders may cause a loss of balance or control of the chain saw.
8. **When cutting a limb that is under tension be alert for kickback.** When the tension in the wood fibers is released, the spring loaded limb may strike the operator and/or throw the chain saw out of control.
9. **Use extreme caution when cutting brush and saplings.** The slender material may catch the saw chain and be whipped toward you or pull you off balance.
10. **Carry the chain saw by the front handle with the chain saw switched off and away from your body. When transporting or storing the chain saw always apply the guide bar guard.** Proper handling of the chain saw will reduce the likelihood of accidental contact with the moving saw chain.
11. **Follow instructions for lubricating, chain tensioning and changing the bar and chain.** Improperly tensioned or lubricated chain may either break or increase the chance for kickback.
12. **Cut wood only. Do not use chain saw for purposes not intended. For example: do not use chain saw for cutting metal, plastic, masonry or non-wood building materials.** Use of the chain saw for operations different than intended could result in a hazardous situation.
13. **Do not attempt to fell a tree until you have an understanding of the risks and how to avoid them.** Serious injury could occur to the operator or bystanders while felling a tree.
14. **Follow all instructions when clearing jammed material, storing or servicing the chain saw. Make sure the switch is off and the battery pack is removed.** Unexpected actuation of the chain saw while clearing jammed material or servicing may result in serious personal injury.
15. **Recommendation that the first-time user should, as a minimum, practise cutting logs on a saw-horse or cradle.**
16. **Recommendation to have sharpening and maintenance of the saw chain performed by authorised service centres.**

Causes and operator prevention of kickback:

Kickback may occur when the nose or tip of the guide bar touches an object, or when the wood closes in and pinches the saw chain in the cut. Tip contact in some cases may cause a sudden reverse reaction, kicking the guide bar up and back towards the operator. Pinching the saw chain along the top of the guide bar may push the guide bar rapidly back towards the operator. Either of these reactions may cause you to lose

control of the saw which could result in serious personal injury. Do not rely exclusively upon the safety devices built into your saw. As a chain saw user, you should take several steps to keep your cutting jobs free from accident or injury.

Kickback is the result of tool misuse and/or incorrect operating procedures or conditions and can be avoided by taking proper precautions as given below:

- **Maintain a firm grip, with thumbs and fingers encircling the chain saw handles, with both hands on the saw and position your body and arm to allow you to resist kickback forces.** Kickback forces can be controlled by the operator, if proper precautions are taken. Do not let go of the chain saw.
- **Do not overreach and do not cut above shoulder height.** This helps prevent unintended tip contact and enables better control of the chain saw in unexpected situations.
- **Only use replacement bars and chains specified by the manufacturer.** Incorrect replacement bars and chains may cause chain breakage and/or kickback.
- **Follow the manufacturer's sharpening and maintenance instructions for the saw chain.** Decreasing the depth gauge height can lead to increased kickback.

Residual risks

Even if you use this electric power tool in accordance with the instructions, certain residual risks cannot be eliminated. The following hazards may arise in connection with the equipment's construction and layout:

- Cut injuries if no safety clothing is used.
- Lung damage if no suitable protective dust mask is used.
- Damage to hearing if no suitable ear protection is applied.
- Health damage caused by hand-arm vibrations if the equipment is used over a longer period or is not properly guided and maintained.

Warning! This electric power tool generates an electromagnetic field during operation. Under certain circumstances this field may actively or passively impede medical implants. To reduce the risk of serious or fatal injuries, we recommend persons with medical implants to consult their doctor and the manufacturer of the medical

implant prior to using the equipment.

SAVE THESE INSTRUCTIONS

2. Layout and items supplied

2.1 Layout

1. Claw stop
2. Front hand guard (chain brake)
3. Front handle
4. Rear handle
5. Safety lock-off
6. On/Off switch
7. Oil tank cap
8. Chain wheel cover
9. Chain tension lock knob
10. Chain tensioning knob
11. Chain oil fill level indicator
12. Chain sprocket wheel
13. Push-lock button
14. Rear hand guard
15. Bar
16. Saw chain
17. Chain saw guard
18. Adapter plate
19. Battery capacity indicator
20. Battery capacity indicator button
21. Battery pack (not supplied)

2.2 Items supplied

Please check that the article is complete as specified in the scope of delivery. If parts are missing, please contact our service center or the store where you made your purchase at the latest within 5 work days after purchasing the article and upon presentation of a valid bill of purchase.

- Open the packaging and take out the equipment with care.
- Remove the packaging material and any packaging and/or transportation braces (if present).
- Check to see if all the items are supplied.
- Inspect the equipment and accessories for transport damage.
- If possible, keep the packaging until the end of the guarantee period.

Danger!

The equipment and packaging material are not toys. Do not let children play with plastic bags, plastic sheets and small parts. There is a risk of choking and suffocating!

- Cordless chain saw
- Bar
- Saw chain
- Chain saw guard
- Original operating instruction with safety information

Separately available accessories

18V 2.0Ah PXC Lithium-Ion battery
 18V 2.5Ah PXC Lithium-Ion battery
 18V 3.0Ah PXC Lithium-Ion battery
 18V 4.0Ah PXC Lithium-Ion battery
 18V 3.0Ah PXC Plus Lithium-Ion battery
 18V 4.0Ah PXC Plus Lithium-Ion battery
 18V 5.2Ah PXC Plus Lithium-Ion battery
 18V 4.0Ah/6.0Ah PXC Plus Lithium-Ion battery
 18V 5.0Ah/8.0Ah PXC Plus Lithium-Ion battery
 18V PXC Dual Port Fast Charger
 18V PXC Fast Charger

Contact your local retailer for more specific models of batteries and charger available in your area. You can also explore battery + charger options at Einhell.com.


3. Intended use

The chain saw is intended for felling small trees and for cutting trunks, branches, wooden beams, boards etc. and can be used for cross cuts and longitudinal cuts. It is not suitable for cutting any materials other than wood.

The equipment is allowed to be used only for its prescribed purpose. Any other use is deemed to be a case of misuse. The user/operator and not the manufacturer will be liable for any damage or injuries of any kind resulting from such misuse.

Please note that our equipment has not been designed for use in commercial, trade or industrial applications. Our warranty will be voided if the equipment is used in commercial, trade or industrial businesses or for equivalent purposes.

4. Technical data

Motor power supply: 18V 
 No load speed RPM: 0-3,300
 Bar length: 10"
 Chain pitch: 3/8"
 Chain Gauge: 0.043"
 Saw chain: Excelsior & Sharp: 3/8LP.043.40E
 Bar: Excelsior & Sharp : ES104MLEA041
 Cutting speed at rated RPM: 256 IPS
 Oil tank capacity: 5 fl oz
 Weight (Tool only): 8 lbs

Wear ear-muffs.

The impact of noise can cause damage to hearing.

Reduce noise generation and vibration to a minimum!

- Use only equipment that is in perfect condition.
- Maintain and clean the equipment regularly.
- Adapt your way of working to the equipment.
- Do not overload the equipment.
- Have the equipment checked if necessary.
- Switch off the equipment when not in use.
- Wear gloves.

5. Before starting the equipment

Warning!

Always remove the battery before making adjustments to the equipment.

Danger! Do not fit the battery until the chain saw has been fully assembled and the chain tension has been set. Always wear protective gloves when working on the chain saw to protect yourself against injury.

5.1 Assembly of the bar and the saw chain

- Carefully unpack all parts and check that they are complete (Fig. 2-3).
- Undo the chain tension lock knob of the chain wheel cover (Fig. 4).
- Take off the chain wheel cover (Fig. 5).
- Lay the chain as shown in the groove which runs around the bar (Fig. 6/See arrow).
- Insert the bar and chain as shown in the mounting in the chain saw. At the same time guide the chain around the chain sprocket wheel (Fig. 7 and 8/Item 12).

- Reinstall the chain wheel cover and secure it with the chain tension lock knob (Fig. 9). **Important!** Do not fully tighten the chain tension lock knob until after you have adjusted the chain tension (see section 5.2).

5.2 Tensioning the saw chain

Warning! Always pull out the battery before performing any checks or adjustments. Always wear protective gloves when working on the chain saw to protect yourself against injury.

- Undo the chain tension lock knob of the chain wheel cover a few turns (Fig. 4).
- Adjust the chain tension with the chain tensioning knob (Fig. 10/Item 10). Turning the knob clockwise increases the chain tension, turning it counterclockwise decreases the chain tension. The chain tension is correct when the chain can be lifted by about 0.12"-0.16" at the center of the bar (Fig. 11).
- Tighten the chain tension lock knob of the chain wheel cover (Fig. 9).

Danger! All the chain links must lie properly in the guide groove of the bar.

Notes on tensioning the chain:

The chain must be properly tensioned to ensure safe operation. You can tell that the chain tension is adjusted properly if the saw chain can be lifted by around 0.12"-0.16" in the middle of the bar. As the saw chain heats up during cutting, it changes in length, please check the chain tension every 10 minutes and adjust it again as required. This applies in particular to new saw chains. When you have finished working, loosen the chain again as it will shorten when it cools down. This will help to prevent damage to the chain.

5.3 Saw chain lubrication

Warning! Always pull out the battery before performing any checks or adjustments. Always wear protective gloves when working on the chain saw to protect yourself against injury.

Important! Never operate the chain if it is not lubricated with saw chain oil. Use of the chain saw without saw chain oil or if the oil level is below the "min" mark (Fig. 12) will damage the chain saw.

Important! Be aware of the temperature conditions: Different lubricants with completely different viscosities are required at different ambient temperatures. At lower temperatures you will need low viscosity oils in order to achieve a sufficient lubricating film. However, if the same

low viscosity oil is used during the summer, it will become even thinner due to the ambient temperatures alone. As a result, the lubricating film could break down, causing the chain to overheat and become damaged. In addition, the chain oil would burn and produce unnecessary pollutants.

Filling the oil tank:

- Place the chain saw on a flat surface.
- Clean the area around the oil tank cap (Fig. 12/Item 7) and then open the oil tank cap.
- Fill the tank with saw chain oil. In the process, make sure that no dirt enters the tank, as this could cause the oil nozzle to become blocked.
- Close the oil tank cap.

6. Operation

The first-time user should, as a minimum, practice cutting logs on a saw-horse or cradle.

6.1 On/Off switch

Switching on

- Insert a battery in the equipment as shown in Fig. 13.
- Hold the chain saw by the handles with both hands as shown in Fig. 15 (thumbs under the handles).
- Press the safety lock-off (Fig. 1/Item 5) and keep it pressed.
- To switch on the chain saw, press the On/Off switch (Fig. 1/Item 6). You can then release the safety lock-off.

Switching off

Release the On/Off switch (Fig. 1/Item 6).

The integrated brake will bring the running chain saw to a standstill within a very short space of time. Remove the battery when you stop working, even if it is only for a short time.

Warning! Always carry the chain saw by the front handle. If the saw is ready for operation and you carry it by the rear handle (which is where the switches are located), then there is a risk that you could accidentally press the safety lock-off and the On/Off switch at the same time, and the chain saw could inadvertently start up.

6.2 Safety devices

Motor brake

The motor brakes the saw chain as soon as the On/Off switch (Fig. 1/Item 6) is released or the power supply is interrupted. This significantly reduces the risk of injury that would otherwise be present if the chain continued to run after being switched off or disconnected.

Chain brake

The chain brake is a safety mechanism which is triggered via the front hand guard (Fig. 1/Item 2). If kickback causes the chain saw to suddenly jerk back then the chain brake trips and stops the saw chain in less than 0.1 seconds.

You must check the operation of the chain brake on a regular basis. To do this, fold the hand guard (Fig. 1/Item 2) forward and briefly switch the chain saw on. The saw chain must not start up. Pull back the front hand guard (Fig. 1/Item 2) until it engages to release the chain brake.

Danger! Never use the saw if the safety equipment is not working properly. Never try to repair safety related protection systems yourself – always have any work done by our service department or by a similarly qualified workshop.

Hand guard

The front hand guard (which also acts as the chain brake at the same time) (Fig. 1/Item 2) and the rear hand guard (Fig. 1/Item 14) protect against finger injuries resulting from contact with the saw chain if the chain breaks because it is overloaded.

6.3 Charging the Lithium-Ion battery (not included)

The corresponding instructions can be found in the original operating instructions for your charger.

6.4 Battery capacity indicator (Fig. 14 / item 19)

Press the battery capacity indicator switch (20). The battery capacity indicator (19) shows the charge status of the battery using 3 LEDs.

All 3 LEDs lit:

The battery is fully charged.

2 or 1 LED(s) lit:

The battery has an adequate remaining charge.

1 LED flashing:

The battery is empty, recharge the battery.

All LEDs flashing:

The temperature of the battery is too low. Remove the battery from the device and leave it at room temperature for a day. If the error occurs again, this means that the battery has been completely depth-discharged and is defective. Remove the battery from the device. Never use or charge a defective battery.

7. Working with the chain saw

7.1 Preparations

To ensure that you can work safely, check the following points before every use:

Condition of the chain saw

Before you start your work, inspect the chain saw for damage to the housing, the chain and the bar. Never use a chain saw which is obviously damaged.

Oil tank

Level of oil in the oil tank: Both before and during your work make sure that there is always sufficient oil in the system. To avoid damaging the chain saw, never run the saw if there is no oil in the system or if the oil drops below the "min" mark (Fig. 12). On average, a single filling will last around 15 minutes depending on the number of pauses in cutting and the loads involved.

Saw chain

Tension of the chain, condition of the cutting elements: The sharper the chain, the easier and more controllable it is to operate the chain saw. The same also applies to the chain tension. Again, while working also check the chain tension every 10 minutes in order to increase your safety. New chains in particular tend to expand more.

Chain brake

Check the operation of the chain brake as described in the chapter "Safety devices" and then release it.

Safety clothing

Always wear appropriate tight-fitting safety clothing such as special trousers which protect against cuts, protective gloves and safety shoes.

Hearing protection and protective goggles

When felling trees or performing forest work, always wear a protective helmet with integral face and hearing protection. This will offer protection against falling branches and recoiling branches.

7.2 Description of the correct procedures for basic use of the chain saw**Felling a tree (Fig. 16-19)**

If two or more persons are working at the same time on felling and cutting back, then the minimum distance between the tree being felled and the tree being cut back should be at least twice the height of the tree being felled (Fig. 16). When felling trees, care must be taken to ensure that no other persons are endangered, no power supply lines are hit and no material damage is caused to equipment or property. In the event that a tree comes into contact with a power supply line, the responsible power supply company should be informed immediately. When working with the saw on a slope, the operator of the chain saw must be standing at a higher point on the slope than the tree being felled, as the tree will roll or slip downhill once it has been felled (Fig. 17). Before felling the tree you must first plan and if necessary clear an escape route. This escape route must lead away diagonally in the opposite direction to the expected fall direction – this can be seen in Fig. 18 (A= danger zone, B= direction of fall, C= escape zone).

Before felling the tree you must take into account the natural inclination of the tree, the location of larger branches and the wind direction, as this will help you to correctly determine the direction in which the tree will fall.

Dirt, stones, loose bark, nails, staples and wire must be removed from the tree.

Making the felling notch (Fig. 19)

Cut a notch (A) at right angles to the fall direction to a depth of 1/3 of the tree diameter as shown in Fig. 19. First make the lower horizontal felling notch (1). This prevents the saw chain or the guide bar from becoming trapped when the second felling notch is made.

Making the felling cut (Fig. 19)

The felling cut should be positioned at least 2" (50 mm) above the horizontal felling notch. Make the felling cut (B) parallel to the horizontal felling notch. The felling cut should be cut to a depth which leaves a thin strip (felling hinge strip) (D) which can act as a hinge. This strip prevents

the tree from rotating and falling in the wrong direction. Do not cut through the strip. When the felling cut gets close to the strip the tree should start to fall. If it becomes clear that the tree may well fall in a different direction to the desired fall direction (C) or it starts to lean back and traps the saw chain, interrupt the felling cut and insert wedges made of wood, plastic or aluminum to open out the cut and control the lean of the tree until it leans in the required direction.

When the tree starts to fall, remove the chain saw from the cut, switch it off, place it on the ground and exit the danger zone via the planned escape route. Watch out for falling branches and take care not to trip.

Removing branches

Here we are talking about removing branches from the felled tree. When removing branches, leave any downward facing branches which are supporting the tree until the trunk of the tree has been cut up. Smaller branches should be removed as shown in Fig. 20 (A= cutting direction when removing branches, B= keep away from the ground! Supporting branches should be left until the trunk is cut up) in a single cut from the bottom to the top. Any branches which are under tension should be cut from the bottom to the top to prevent the saw from becoming trapped.

Cutting the tree trunk into lengths

Here we are looking at the process of cutting the felled tree into sections. Make sure you have a sure footing and distribute your body weight evenly onto both feet. If possible the trunk should be underlaid and supported with branches, beams or wedges. For easy cutting follow the simple instructions below.

If the full length of the tree trunk is evenly supported as shown in Fig. 21 then proceed by cutting from the top down. Take care not to cut into the ground in the process.

If the weight of the tree trunk is resting on one end as shown in Fig. 22, first cut through 1/3 of the trunk diameter from the underside (A) in order to prevent it from splintering. Make the second cut from the top (2/3 of the diameter) to the height of the first cut (B) (this prevents the chain saw from being trapped).

If the weight of the tree trunk is resting on both ends as shown in Fig. 23, first cut through 1/3 of the trunk diameter from the top (A) in order to prevent it from splintering. Make the second cut from underneath (2/3 of the diameter) to the

height of the first cut (B) (this prevents the chain saw from being trapped).

When working with the saw on a slope, always position yourself at a higher point on the slope above the tree as shown in Fig. 15. In order to retain full control at the moment when the cut goes through, reduce pressure towards the end of the cut without releasing your firm grip on the handles of the chain saw. Take care to ensure that the chain saw does not touch the ground. After completing the cut, wait for the chain saw to come to a standstill before removing the chain saw. Always switch off the motor of the chain saw before moving from tree to tree.

7.3 Kickback

The term "kickback" describes what happens when the running chain saw suddenly kicks upward and backward. Usually this is caused by contact between the tip of the bar and the workpiece or by the saw chain becoming trapped.

In the event of kickback, large forces occur suddenly and violently. As a result, the chain saw usually reacts uncontrollably. This can often result in very serious injuries to the worker or persons in the vicinity. The risk of kickback is particularly great when performing cross cuts, angled cuts and longitudinal cuts, as it is not possible to use the claw stop on these cuts. You should therefore avoid these cuts as far as possible and take particular care when they are unavoidable.

The risk of kickback is at its greatest when the saw is positioned for a cut in the region of the tip of the bar, as the leverage effect is greatest there (Fig. 24). It is therefore safest to position the saw flat and as close as possible to the claw stop before making the cut (Fig. 25).

Warning!

- Make sure that the chain tension is always correctly adjusted.
- Only use a chain saw if it is in perfect working order.
- Only work with a saw chain that has been properly sharpened in accordance with the instructions.
- Never operate the saw above shoulder height.
- Never cut with the upper edge or the tip of the bar.
- Always hold the chain saw firmly with both hands.
- Whenever possible, use the claw stop as a leverage point.

Cutting wood which is under tension

Special care is required when cutting wood, which is under tension. Cutting wood which is under tension can release the tension, causing the wood to react out of control. In the worst case, this could result in extremely severe or even fatal injuries (Fig. 26-28).

This type of work must be performed only by specially trained persons.

8. Cleaning and maintenance

Hazard!

- Remove the battery each time before cleaning.
- Never immerse the equipment in water or other liquids in order to clean it.

8.1 Cleaning

- Regularly clean the tensioning mechanism by blowing it out with compressed air or cleaning it with a brush. Do not use any tools for cleaning.
- Keep the handles free of oil so that you can maintain a firm grip.
- Clean the equipment as required with a damp cloth and, if necessary, mild cleaning product.
- If you are not going to use the chain saw for an extended period of time, remove the chain oil from the tank. Briefly immerse the saw chain and the guide bar into an oil bath and then wrap them in oil paper.

8.2 Maintenance

Replacing the chain and bar.

The bar needs to be replaced if:

- The guide groove of the bar is worn.
- The nose sprocket in the bar is damaged or worn.

Remove the adapter plate (Item 18) from the bar as shown in Fig. 29. Now fit the adapter plate to the new bar. Proceed as described in the section "Assembly of the bar and the saw chain".

Checking the automatic chain lubrication

You should check the operation of the automatic chain lubrication system on a regular basis in order to guard against overheating and the damage this can cause to the bar and the chain. Point the tip of the bar at a smooth surface (a board or a cut tree face) and allow the chain saw to run.

If you see a growing oil stain on the smooth surface, the automatic chain lubrication system is working properly. If no clear oil trace is evident then please refer to the corresponding instructions in "Troubleshooting". If the information contained there still fails to remedy the situation, please contact our service department or another similarly qualified workshop.

Danger! Do not actually touch the surface with the tip of the bar when performing this test. Keep a safe distance (approx. 7.8").

Sharpening the chain

Working effectively with the chain saw is only possible if the chain is in good condition and sharp. This also reduces the risk of kickback. The chain can be re-sharpened by any dealer. Do not attempt to sharpen the chain yourself unless you have the necessary special tools and experience.

9. Notes on environmental protection / disposal

The equipment must be properly disposed of when it reaches the end of its service life. The equipment must not be disposed of as domestic waste. Instead, in the interests of the environment it should be disposed of via a designated recycling or disposal point for electrical equipment. Please contact your local authorities for information about proper disposal of the equipment in your area. Packaging materials and worn accessory parts should also be disposed of at the designated recycling or disposal points.

10. Storage

Store the equipment and its accessories out of children's reach in a dark and dry place at above freezing temperature. The ideal storage temperature is between 50°F and 104°F (10°C and 40°C). Keep the electric tool in its original packaging.

The reprinting or reproduction by any other means, in whole or in part, of documentation and papers accompanying the products is strictly subject to the express consent of Einhell Germany AG.

Subject to technical changes.

11. Troubleshooting

Danger!

Before troubleshooting, switch off the equipment and pull out the battery.

The table below contains a list of fault symptoms and explains what you can do to remedy the problem if your equipment fails to work properly. If the problem still persists after working through the list, please contact your nearest service workshop.

Problem	Possible cause	Solution
Chain saw does not work at all.	<ul style="list-style-type: none"> - Chain brake has been triggered. - No power supply. 	<ul style="list-style-type: none"> - Pull the chain brake to the normal position. - Check the battery.
Chain saw operates intermittently.	<ul style="list-style-type: none"> - Loose On/Off switch defective. 	<ul style="list-style-type: none"> - Consult a service center.
Saw chain is dry.	<ul style="list-style-type: none"> - No oil in the tank. - Vent in the oil tank cap is blocked. - Oil outlet is blocked. 	<ul style="list-style-type: none"> - Top up with oil. - Clean the oil tank cap. - Clear the oil outlet.
Chain brake does not work.	<ul style="list-style-type: none"> - Problem with the switch mechanism in the front hand guard. 	<ul style="list-style-type: none"> - Consult a service center.
Chain/guide bar is hot.	<ul style="list-style-type: none"> - No oil in the tank. - Vent in the oil tank cap is blocked. - Oil outlet is blocked. - Chain is blunt. 	<ul style="list-style-type: none"> - Top up with oil. - Clean the oil tank cap. - Clear the oil outlet. - Re-sharpen or replace the chain.
Chain saw judders, vibrates or does not saw properly.	<ul style="list-style-type: none"> - Chain is undertensioned. - Chain is blunt. - Chain is worn. - Saw teeth pointing in the wrong direction. 	<ul style="list-style-type: none"> - Adjust the chain tension. - Re-sharpen or replace the chain. - Replace the chain. - Refit the chain with the teeth facing in the correct direction.



Danger! - Lire le mode d'emploi pour diminuer le risque de blessures.



Attention ! Portez une protection auditive. Le bruit peut provoquer une perte d'acuité auditive.



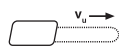
Attention ! Portez des lunettes de protection. Les étincelles créées pendant le travail ou les éclats, les copeaux et les poussières sortant de l'appareil peuvent entraîner la perte de la vue.



Conservez la batterie uniquement dans des locaux secs et à une température ambiante de 50-104 °F (+10-+40 °C). Conservez la batterie uniquement en état chargé (au moins 40 % de charge).



L'appareil ne doit pas être exposé à la pluie.



Vitesse de la chaîne maximale.



Déverrouillez le frein de chaîne avant la mise en service !



La batterie doit être retiré de l'appareil avant la mise au rebut. Remarque relative à la mise au rebut de batterie : La batterie ne doit pas être jetée dans les ordures ménagères.



Tenez toujours la scie à chaîne sans fil des deux mains.



Le recul peut entraîner des blessures par coupure mortelles.

Danger !

Certaines mesures de sécurité doivent être respectées pendant l'utilisation des appareils pour empêcher les blessures et les dommages. Par conséquent, lisez attentivement le présent mode d'emploi / les consignes de sécurité. Conservez-les bien pour avoir les informations toujours à la portée de la main. Si vous devez passer l'appareil à d'autres personnes, veuillez leur remettre également le présent mode d'emploi / les consignes de sécurité. Nous ne sommes pas tenus des accidents ou dommages survenus à cause de non-respect du présent mode d'emploi et des consignes de sécurité.

1. Consignes de sécurité**Danger !**

Lisez toutes les consignes de sécurité et instructions. Le non-respect des consignes de sécurité et des instructions peut causer une électrocution, un incendie et / ou de graves blessures. **Conservez toutes les consignes de sécurité et instructions pour l'avenir.**

Consignes générales de sécurité pour les outils électriques

Le terme « outil électrique » utilisé dans les consignes de sécurité se réfère à des outils électriques alimentés par le secteur (avec câble d'alimentation) et à des outils électriques alimentés par la batterie (sans câble d'alimentation).

1. Sécurité du lieu de travail

- a) **Maintenez votre espace de travail propre et bien éclairé.** *Le désordre ou les espaces de travail non éclairés peuvent provoquer des accidents.*
- b) **Ne travaillez pas avec l'outil électrique dans une atmosphère explosible contenant des liquides, des gaz ou des poussières combustibles.** *Les appareils électriques génèrent des étincelles pouvant enflammer la poussière ou les vapeurs.*
- c) **Tenez à distance les enfants et autres personnes lors de l'utilisation de l'appareil électrique.** *En cas de distraction, vous pouvez perdre le contrôle de l'appareil.*

2. Sécurité électrique

- a) **La fiche de raccordement de l'appareil électrique doit être adaptée à la prise. La fiche ne doit être modifiée en aucune façon. N'utilisez pas de fiche d'adaptateur avec les outils électriques mis à la terre.** *Les fiches non modifiées et les prises adaptées diminuent le risque d'une électrocution.*
 - b) **Évitez le contact physique avec les surfaces mises à la terre, comme celles de conduits, des chauffages, des cuisinières et des réfrigérateurs.** *Il existe un risque élevé d'électrocution lorsque votre corps est mis à la terre.*
 - c) **Gardez les appareils électriques à l'abri de la pluie ou de l'humidité.** *La pénétration de l'eau dans un appareil électrique augmente le risque d'une électrocution.*
 - d) **Ne détournez pas le câble de sa fonction pour porter ou pour accrocher l'appareil électrique ou pour retirer la fiche de la prise. Gardez le câble à l'abri de la chaleur, de l'huile, des bords coupants ou des éléments mobiles de l'appareil.** *Les câbles endommagés ou enchevêtrés augmentent le risque d'une électrocution.*
 - e) **Si vous travaillez avec un appareil électrique dehors, utilisez uniquement une rallonge adaptée à l'usage à l'extérieur.** *L'utilisation d'une rallonge adaptée à l'usage à l'extérieur diminue le risque d'une électrocution.*
 - f) **Si l'appareil électrique doit être utilisé dans un environnement humide, utilisez un Disjoncteur de fuite à la terre.** *L'utilisation d'un disjoncteur de fuite à la terre diminue le risque d'une électrocution.*
- 3. Sécurité des personnes**
- a) **Soyez attentif, prenez garde à ce que vous faites et soyez raisonnable en travaillant avec un outil électrique. N'utilisez pas un appareil électrique si vous êtes fatigué ou si vous vous trouvez sous l'effet de drogues, d'alcool ou de médicaments.** *Un instant d'inattention lors de l'utilisation de l'appareil électrique peut entraîner de graves blessures.*
 - b) **Utilisez l'équipement de protection individuelle. Porter toujours une protection des yeux.** *L'équipement de protection, tel que le masque anti-poussière, les chaussures de sécurité antidérapantes, le casque protecteur ou la protection auditive utilisés dans des conditions appropriées, permet de réduire les*

- dommages corporels.*
- c) **Évitez tout démarrage non intentionnel. S'assurer que le bouton marche-arrêt est en position Arrêt (Off) avant de connecter la source de courant et/ou la BATTERIE, de prendre et de transporter l'outil.** *Transporter des outils électriques avec votre doigt sur le bouton marche-arrêt ou mettre sous tension des outils électriques dont le bouton marche-arrêt est position Marche (On) peut causer des accidents.*
- d) **Avant d'allumer l'outil électrique, retirez les outils de réglage ou les clés.** *Un outil ou une clé se trouvant dans un élément tournant de la machine peut entraîner des blessures.*
- e) **Évitez une posture anormale. Ayez un appui stable et gardez l'équilibre en permanence.** *Vous pouvez ainsi mieux contrôler l'outil électrique dans des situations imprévues.*
- f) **Portez des vêtements appropriés. Ne portez pas de vêtements amples ni de bijoux. Gardez les cheveux, les vêtements et les gants à distance des éléments mobiles.** *Des vêtements amples, bijoux ou longs cheveux peuvent être happés par les éléments mobiles.*
- g) **Si des dispositifs d'aspiration ou de récupération des poussières peuvent être montés, assurez-vous qu'ils sont connectés et peuvent être utilisés correctement.** *L'utilisation d'une aspiration des poussières peut diminuer les risques causés par la poussière.*
- h) **La familiarité acquise par l'utilisation fréquente des outils ne doit pas laisser place à la complaisance et à l'ignorance des principes de sécurité de l'outil.** *Une action imprudente peut causer de graves blessures en une fraction de seconde.*
- 4. Utilisation et traitement de l'outil électrique**
- a) **Ne surchargez pas l'appareil.** *Utilisez l'outil électrique adapté à votre application. Vous travaillez mieux et de manière plus sûre avec un outil électrique approprié dans la gamme de puissance indiquée.*
- b) **N'utilisez pas un outil électrique avec un interrupteur défectueux.** *Un outil électrique qui ne peut plus être allumé ou éteint est dangereux et doit être réparé.*
- c) **Débranchez la fiche de la source électrique et / ou retirez la batterie de l'outil électrique, si elle est amovible, avant de procéder à des ajustements, remplacer des accessoires ou ranger les outils électriques.** *De telles mesures préventives réduisent le risque de démarrage accidentel de l'outil électrique.*
- d) **Conservez les outils électriques non utilisés hors la portée des enfants. Ne permettez pas aux personnes qui ne sont pas familiarisées avec cet appareil ou qui n'ont pas lu ces instructions de l'utiliser.** *Les outils électriques sont dangereux lorsqu'ils sont utilisés par des personnes inexpérimentées.*
- e) **Entretenez les outils électriques et les accessoires. Vérifiez la dérive d'alignement ou l'attache des pièces mobiles, la rupture des pièces et s'assurer qu'aucun autre problème peut affecter le bon fonctionnement de l'outil électrique. Faire réparer l'outil endommagé avant l'utilisation.** *De nombreux accidents sont dus au mauvais entretien des outils électriques.*
- f) **Maintenez vos outils de coupe aiguisés et propres.** *Les outils de coupe aux bords tranchants bien soignés se coincent moins et sont plus aisés à guider.*
- g) **Utilisez l'outil électrique, les accessoires, les outils utilisés, etc. conformément au présent mode d'emploi. Tenez compte des conditions de travail et de l'activité à réaliser.** *L'utilisation des outils électriques pour des usages autres que prévus peut entraîner des situations dangereuses.*
- h) **Gardez les poignées et les surfaces de prise sèches, propres et exemptes d'huile et de graisse.** *Les poignées et surfaces de prise glissantes ne permettent pas d'effectuer une manipulation et un contrôle de l'outil en toute sécurité dans des situations imprévues.*
- 5. Utilisation et traitement de l'outil sans fil**
- a) **Chargez les batteries uniquement dans les chargeurs recommandés par le fabricant.** *L'utilisation d'un chargeur pour des batteries non appropriées présente un risque d'incendie.*
- b) **Utilisez dans les outils électriques uniquement les batteries prévues à cet effet.** *L'utilisation d'autres batteries peut entraîner des blessures et le risque d'incendie.*
- c) **Conservez la batterie non utilisée à distance des trombones, pièces de monnaie, clés, clous, vis ou autres menus objets en métal susceptibles de provoquer un**

pontage des contacts. *Un court-circuit entre les contacts de la batterie peut entraîner des brûlures ou le feu.*

- d) **En cas d'utilisation incorrecte, un liquide peut s'échapper de la batterie. Ne le touchez pas. Rincez à l'eau en cas de contact fortuit. Si le liquide entre en contact avec les yeux, consultez également le médecin.** *Le liquide s'échappant de la batterie peut causer des irritations cutanées ou des brûlures.*
- e) **Ne pas utiliser une BATTERIE ou un outil endommagé(e) ou modifié(e).** *Les batteries endommagées ou modifiées peuvent agir de manière imprévisible et donner lieu à un incendie, une EXPLOSION ou un risque de blessure.*
- f) **Ne pas exposer une BATTERIE ou un outil au feu ou à une température excessive.** *Une exposition au feu ou à une température supérieure à 266°F (130°C) peut causer une explosion.*
- g) **Suivre toutes les instructions de charge et ne pas charger la BATTERIE ou l'outil en dehors de la gamme de température spécifiée dans les instructions.** *Un mauvais chargement ou un chargement à des températures en dehors de la gamme spécifiée peut endommager la BATTERIE et augmenter les risques d'incendie.*
6. **Service**
- a) **Faites réparer votre outil électrique uniquement par des spécialistes qualifiés et uniquement avec des pièces de rechange d'origine.** *Cela garantit le maintien de la sécurité de l'outil électrique.*
- b) **Ne jamais entretenir des BATTERIES endommagées.** *L'entretien des BATTERIES doit être effectué uniquement par le fabricant ou par des prestataires de service autorisés.*

Consignes spécifiques de sécurité

Nous construisons chaque batterie avec le plus grand soin possible pour pouvoir vous transmettre les batteries avec la densité énergétique, la durabilité et la sécurité maximales. Les cellules de batterie sont munies de dispositifs de sécurité de plusieurs niveaux. Chaque cellule individuelle est d'abord formatée, et leurs courbes caractéristiques sont enregistrées. Ensuite, ces données sont utilisées pour pouvoir regrouper les meilleures batteries possible.

Malgré toutes les mesures de sécurité, il faut toujours être prudent en maniant les

batteries. Les points suivants doivent être impérativement respectés pour assurer le fonctionnement sûr.

Le fonctionnement sûr n'est possible qu'avec des cellules intactes ! Une manipulation incorrecte endommage les cellules.

Attention ! Des analyses confirment que l'utilisation gravement inappropriée et des soins incorrects constituent la cause principale des dommages dus aux batteries haute performance.

Consignes concernant les batteries

1. La batterie de l'appareil sans fil n'est pas chargée à la livraison. Par conséquent, la batterie doit être chargée avant la première mise en service.
2. Évitez des cycles de décharge à plat pour garantir la performance maximale de la batterie ! Chargez souvent votre batterie.
3. Conservez votre batterie au frais, au mieux à 59 °F (+15 °C), et chargée d'au moins à 40%.
4. Les batteries Lithium-Ion sont sujettes au vieillissement naturel. La batterie doit être remplacée au plus tard lorsque la capacité de la batterie ne correspond plus qu'à 80 % de l'état neuf. Les cellules affaiblies dans une batterie vieillie ne tiennent plus la tête aux exigences élevées en terme de performance et présentent ainsi un risque de sécurité.
5. Ne jetez pas les batteries usées dans le feu ouvert. Risque d'explosion !
6. Ne pas allumer la batterie et ne pas l'exposer à la combustion.
7. **Ne pas décharger complètement la batterie !** La décharge complète endommage les cellules de la batterie. La cause la plus fréquente de la décharge complète de la batterie constitue un stockage ou non-utilisation prolongés des batteries à moitié chargées. Terminez l'opération dès que la puissance diminue visiblement ou la protection électronique réagit. Ne conservez la batterie que complètement chargée.
8. **Protéger les batteries et l'appareil contre la surcharge !** Une surcharge provoque rapidement la surchauffe et l'endommagement des cellules à l'intérieur du boîtier de batterie, sans que cela puisse se voir de l'extérieur.
9. **Évitez les détériorations et les chocs !** Remplacez sur-le-champ les batteries ayant chuté d'une hauteur de plus d'un mètre ou ayant été exposées à des coups violents, même si le boîtier de la batterie semble intact.

Les cellules de la batterie peuvent être sérieusement endommagées à l'intérieur. Respectez à cet égard également les consignes d'élimination.

10. En cas de surcharge et de surchauffe, le circuit de protection intégré éteint l'appareil pour des raisons de sécurité.
Attention ! N'actionnez plus l'interrupteur marche / arrêt lorsque le circuit de protection a éteint l'appareil. Cela peut endommager la batterie.
11. N'utilisez que des batteries d'origine. L'utilisation d'autres batteries peut entraîner des blessures, une explosion et le risque d'incendie.
12. **Protégez votre batterie de l'humidité, de la pluie et de l'humidité de l'air élevée.** L'humidité, la pluie et l'humidité de l'air élevée peuvent endommager dangereusement les cellules. En aucun cas, ne chargez ni ne travaillez avec la batterie qui a été exposée à l'humidité, à la pluie ou à l'humidité de l'air élevée – remplacez-les immédiatement !
13. Si votre appareil est équipé d'une batterie amovible, retirez-la de votre appareil à la fin de votre travail pour des raisons de sécurité.

Consignes concernant le chargeur et la charge

1. Tenez compte des informations indiquées sur la plaque signalétique du chargeur. Raccordez le chargeur uniquement à la tension d'alimentation indiquée sur la plaque signalétique.
2. Protégez le chargeur et le fil contre l'endommagement et les bords coupants. Les câbles endommagés doivent être immédiatement remplacés par un électricien.
3. Protéger le chargeur, les batteries et l'appareil sans fil contre les enfants.
4. Ne pas utiliser des chargeurs endommagés.
5. N'utilisez pas le chargeur fourni pour charger d'autres appareils sans fil.
6. En cas de forte sollicitation, la batterie se réchauffe. Laissez refroidir la batterie à la température ambiante avant le chargement.
7. **Ne pas surcharger les batteries !** Respectez les durées maximales du chargement. Ces durées de chargement s'appliquent uniquement aux batteries déchargées. Le branchement répété d'une batterie chargée ou partiellement chargée entraîne la surcharge et l'endommagement des cellules. Ne pas laisser les batteries insérées dans le chargeur pendant plus que 48 heures.

8. **N'utilisez ni chargez pas les batteries que vous supposez avoir été chargées pour la dernière fois depuis plus de 12 mois.** Il est hautement probable que la batterie est déjà dangereusement endommagée (déchargement complet).
9. Un chargement à une température inférieure à 50 °F (10 °C) entraîne une détérioration chimique de la cellule et peut provoquer un incendie.
10. N'utilisez pas de batteries qui se sont réchauffées pendant le chargement, car les cellules de la batterie pourraient être dangereusement endommagées.
11. N'utilisez plus les batteries qui se sont bombées ou déformées pendant le chargement ou qui présentent des symptômes inhabituels (dégazage, sifflement, grésillement, ...).
12. Ne déchargez pas complètement la batterie (déchargement maximal recommandé max. 80 %). Le déchargement complet entraîne un vieillissement précoce des cellules de la batterie.
13. Ne chargez jamais les batteries sans surveillance !

Protection contre l'impact environnemental

1. Portez des vêtements de travail appropriés. Porter des lunettes de protection.
2. **Protégez votre appareil sans fil et le chargeur contre l'humidité et la pluie.** L'humidité et la pluie peuvent entraîner des endommagements dangereux des cellules.
3. Ne pas utiliser l'appareil sans fil et le chargeur dans un espace contenant des vapeurs et des liquides combustibles.
4. Utilisez le chargeur et les appareils sans fil uniquement en état sec et à une température ambiante de 50-104 °F (10-40 °C).
5. Ne conservez pas la batterie dans des endroits où la température peut être supérieure à 104 °F (40 °C), en particulier dans un véhicule garé au soleil.
6. **Protégez les batteries contre la surchauffe !** Une surcharge, un chargement excessif ou le rayonnement solaire entraînent la surchauffe et détériorent les cellules. Ne chargez ni travaillez en aucun cas avec les batteries qui ont été surchauffées, remplacez-les sans tarder.
7. **Conservation des batteries, des chargeurs et de l'appareil sans fil.** Conservez le chargeur et votre appareil sans fil uniquement dans des locaux secs à une température ambiante de 50-104 °F (10-40 °C).

- Conservez la batterie Lithium-Ion au frais et au sec à 50-68 °F (10-20 °C). Protégez contre l'humidité de l'air et le rayonnement solaire direct ! Conservez les batteries uniquement en état chargé (au moins 40 % de charge).
- Empêchez que la batterie Lithium-Ion gèle. Les batteries qui ont été conservées plus de 60 minutes au-dessous de 32 °F (0 °C) doivent être éliminées.
 - Attention lors de la manipulation des batteries en rapport avec la charge électrostatique : les décharges électrostatiques endommagent la protection électronique et les cellules de la batterie ! Par conséquent, évitez les décharges électrostatiques et ne touchez jamais les pôles de la batterie !

Mise en garde concernant les batteries et informations sur leur élimination

Élimination

Si votre outil doit être remplacé après une période d'utilisation prolongée, ne le jetez pas avec les ordures ménagères, mais éliminez-le d'une manière respectueuse pour l'environnement.



Les déchets produits par les éléments d'un outil ou d'une machine électrique ne doivent pas être traités comme des déchets ménagers. Veuillez les recycler dans les installations prévues à cet effet.

Pour obtenir des conseils sur le recyclage, communiquez avec les services publics locaux ou avec votre revendeur.

Éliminez toujours les batteries en vous conformant aux réglementations fédérales, provinciales ou territoriales et locales.

Communiquez avec un organisme de recyclage de votre région pour obtenir la liste des sites de recyclage.

⚠ MISE EN GARDE! Même déchargée, une batterie emmagasine une certaine énergie. Avant de l'éliminer, utilisez du ruban isolant pour couvrir les bornes et empêcher ainsi la batterie de provoquer un court-circuit, ce qui pourrait causer un incendie ou une explosion.

⚠ AVERTISSEMENT! Pour réduire le risque de blessure ou d'explosion, ne jamais brûler ou incinérer une batterie, même si elle est endommagée, à plat ou complètement déchargée. En brûlant, des vapeurs et des matières toxiques sont émises dans l'atmosphère environnante.

- Les batteries varient selon le type d'outils ou de machines. Consulter le manuel pour des

- renseignements spécifiques.
- Le cas échéant, insérez uniquement des batteries neuves de même type dans l'outil ou la machine.
 - Si, en l'insérant, la polarité de la batterie n'est pas respectée, comme indiqué dans le compartiment à batterie ou dans le manuel, sa durée de vie pourrait être réduite ou elle pourrait fuir.
 - Ne pas mélanger des batteries anciennes et des neuves.
 - Ne pas mélanger des batteries alcalines, standard (carbone/zinc) ou rechargeables (au nickel-cadmium, au nickel-métal-hydrure ou au lithium-ion).
 - Ne jeter aucune batterie au feu. Les cellules de batterie peuvent exploser.
 - Les batteries doivent être recyclées ou éliminées en observant les directives provinciales ou territoriales et locales.

Pour expédier ou éliminer les batteries ou l'appareil sans fil, veillez à ce qu'ils soient emballés individuellement dans un sac en plastique pour empêcher les courts-circuits ou les incendies !

Avertissement de sécurité pour la manipulation de la scie à chaîne

- Éloignez toutes les parties du corps de la scie à chaîne lorsque la chaîne de scie tourne. Avant de démarrer la scie à chaîne, assurez-vous que la chaîne de scie ne touche rien.** Un moment d'inattention lors de la manipulation de la scie à chaîne, et vos vêtements ou votre corps peuvent être happés par la chaîne de scie.
- Tenez toujours la scie à chaîne avec votre main droite sur la poignée arrière et votre main gauche sur la poignée avant.** Si, malgré l'interdiction, vous tenez la scie à chaîne avec la position des mains renversée, vous augmentez le risque de blessure.
- Tenez l'outil électrique uniquement par les surfaces de préhension isolées parce que la chaîne de scie peut entrer en contact avec le câblage dissimulé.** Les chaînes de scie en contact avec un câble sous tension peuvent mettre sous tension des pièces métalliques exposées de l'outil électrique et pourraient causer un choc électrique à l'opérateur.
- Portez des lunettes de protection. Il est également recommandé de porter l'équipement de protection l'ouïe, de la tête,**

- des mains, des jambes et des pieds.** Des vêtements de protection appropriés réduisent le risque de blessures par des débris projetés ou un contact fortuit avec la chaîne de scie.
5. **Ne pas utiliser une scie à chaîne depuis une échelle, un toit ou toute surface instable.** L'utilisation d'une scie à chaîne d'une telle manière pourrait entraîner de graves blessures.
 6. **Seules des personnes dûment formées doivent utiliser la scie à chaîne dans un arbre.** L'utilisation d'une scie à chaîne depuis un arbre sans formation adéquate peut augmenter le risque de blessures graves.
 7. **Tenez-vous toujours bien campé et utilisez la scie uniquement sur une surface fixe, sûre et plane.** Des surfaces glissantes ou instables, telles que les échelles, peuvent faire perdre l'équilibre ou le contrôle de la scie de chaîne.
 8. **En coupant une branche sous tension, prenez garde aux rebonds.** Lorsque la tension des fibres de bois est relâchée, la branche sous tension peut frapper l'opérateur et / ou le priver de contrôle de la chaîne.
 9. **Soyez extrêmement prudent en coupant des broussailles et des jeunes arbres.** Le matériau fin peut piéger la chaîne de scie et être envoyé vers vous ou vous faire perdre l'équilibre.
 10. **Portez la scie à chaîne éteinte par la poignée avant en l'écartant de votre corps. Utilisez toujours le garde de protection de la barre pendant le transport et l'entreposage de la scie à chaîne.** Le maniement correct de la scie à chaîne réduit la probabilité de contact fortuit avec la chaîne de scie en mouvement.
 11. **Suivez les instructions de lubrification, de tension de la chaîne et de remplacement de la barre et de la chaîne.** La chaîne mal tendue ou mal lubrifiée peut se briser ou accroître le risque de rebond.
 12. **Coupez uniquement le bois. N'utilisez pas la scie à chaîne à des fins non prévues. Par exemple : n'utilisez pas la scie à chaîne pour couper du métal, du plastique, de la maçonnerie ou des matériaux de construction non ligneux.** L'utilisation de la scie de chaîne pour des activités autres que prévues peut créer un risque.
 13. **N'essayez pas d'abattre un arbre tant que vous n'avez pas compris les risques et ne savez pas comment les éviter.** Lors de l'abattage d'un arbre, l'opérateur ou les personnes autour peuvent être blessés grièvement.
 14. **Suivre toutes les instructions lors du déblocage des matériaux coincés, du rangement ou de l'entretien de la scie à chaîne. S'assurer que l'interrupteur est éteint et que la pile est retirée.** Un actionnement inattendu de la machine lors du nettoyage du matériau coincé ou de l'entretien peut entraîner des blessures graves.
 15. **Recommandation selon laquelle le nouvel utilisateur devrait, au minimum, s'exercer à couper des grumes sur un chevalet de sciage ou un berceau.**
 16. **Recommandation de confier l'affûtage et l'entretien de la chaîne de scie à des centres de service agréés.**

Causes et prévention de rebond par l'opérateur :

Le rebond peut se produire lorsque la pointe ou la barre rencontre un objet ou lorsque le bois se resserre et coince la chaîne de scie dans l'entaille. Dans certains cas, le contact de la pointe peut provoquer une réaction inverse soudaine en faisant rebondir la barre vers le haut et à l'arrière vers l'opérateur.

Le coincement de la chaîne de scie le long de la pointe de la barre peut repousser rapidement la barre vers l'opérateur.

Chacune de ces réactions peut vous faire perdre le contrôle de la scie et causer de graves blessures. Ne vous fiez pas exclusivement aux dispositifs de sécurité de votre scie. En tant qu'utilisateur de scie à chaîne, vous devez prendre un certain nombre de mesures pour éviter tout accident ou blessure pendant le sciage.

Le rebond est le résultat de mauvaise utilisation de l'outil et / ou des procédures ou conditions opérationnelles incorrectes et peut être évité grâce aux mesures de précaution appropriées indiquées ci-dessous :

- **Maintenez une prise ferme, avec les pouces et les doigts encerclant les poignées de la scie de chaîne, avec les deux mains posées sur la scie et positionnez votre corps et vos bras de manière à pouvoir résister aux forces de rebond.** L'opérateur peut contrôler les forces de rebond en prenant des mesures de précaution appropriées. Ne lâchez pas la scie à chaîne.
- **Ne vous penchez pas trop en avant et ne coupez pas au-dessus de la hauteur des**

épaules. Vous empêchez ainsi un contact imprévu de la pointe et avez un meilleur contrôle de la scie à chaîne dans des situations inattendues.

- **Utilisez uniquement des barres et des chaînes de rechange spécifiés par le fabricant.** Les barres et chaînes de rechange incorrects peuvent entraîner la rupture de la chaîne et / ou le rebond.
- **Suivez les instructions d'affûtage et d'entretien de la chaîne de scie du fabricant.** Une baisse de la hauteur de jauge de profondeur augmente le risque de rebond.

Risques résiduels

Même si vous utilisez cet outil électrique conformément aux instructions, il existe toujours des risques résiduels. Les dangers suivants peuvent se présenter en lien avec la construction et le modèle de cet outil électrique :

- Coupures, si les vêtements de protection ne sont pas portés.
- Lésions pulmonaires, si le masque anti-poussière approprié n'est pas porté.
- Lésions auditives, si la protection auditive appropriée n'est pas portée.
- Problèmes de santé résultant des vibrations dans les mains et les bras si l'appareil est utilisé de manière prolongée ou s'il n'est pas guidé ni entretenu correctement.

Avertissement ! Pendant le fonctionnement, cet outil électrique génère un champ magnétique. Dans certaines circonstances, ce champ peut endommager des implants médicaux actifs ou passifs. Pour réduire le risque de blessures graves ou mortels, nous recommandons aux personnes porteuses d'implants médicaux de consulter leur médecin ou le fabricant de l'implant médical avant d'utiliser l'appareil.

CONSERVEZ CES INSTRUCTIONS

2. Description de l'appareil et contenu de l'emballage

2.1 Description de l'appareil

1. Griffes
2. Protection des mains avant (frein de chaîne)
3. Poignée avant
4. Poignée arrière
5. Verrou de l'interrupteur
6. Interrupteur marche/arrêt

7. Bouchon du réservoir d'huile
8. Couvercle de la roue à chaîne
9. Bouton de verrouillage du couvercle de la roue à chaîne
10. Bouton de tension de la chaîne
11. Indicateur du niveau d'huile de chaîne
12. Pignon de chaîne
13. Touche d'enclenchement
14. Garde des mains arrière
15. Barre
16. Chaîne de scie
17. Garde de la scie à chaîne
18. Plaque adaptateur
19. Témoin de charge de la batterie
20. Bouton de témoin de charge de la batterie
21. Batterie (non fourni)

2.2 Contenu d'emballage

Veuillez vérifier l'intégralité de l'article au moyen du contenu d'emballage décrit. En cas de pièces manquantes, veuillez contacter notre centre de service à la clientèle ou le point de vente où vous avez acheté l'appareil au plus tard dans les 5 jours ouvrables à compter de l'achat de l'article en présentant un ticket de caisse valable.

- Ouvrez l'emballage et retirez prudemment l'appareil.
- Enlevez le matériau d'emballage ainsi que les sécurités d'emballage et de transport (le cas échéant).
- Vérifiez l'intégralité du contenu d'emballage.
- Vérifiez si l'appareil et les accessoires présentent des dommages dus au transport.
- Si possible, conservez l'emballage jusqu'à l'expiration de la durée de garantie.

Danger !

L'appareil et le matériau d'emballage ne sont pas un jouet ! Les enfants ne doivent pas jouer avec des sachets en plastique, des films ou de petites pièces ! Il existe le risque d'ingestion et de suffocation !

- Scie à chaîne sans fil
- Barre
- Chaîne de scie
- Garde de la scie à chaîne
- Mode d'emploi d'origine avec consignes de sécurité

Accessoires disponibles séparément

- 18V 2,0Ah PXC batterie Lithium-Ion
- 18V 2,5Ah PXC batterie Lithium-Ion
- 18V 3,0Ah PXC batterie Lithium-Ion
- 18V 4,0Ah PXC batterie Lithium-Ion

18V 3,0Ah PXC Plus batterie Lithium-Ion
 18V 4,0Ah PXC Plus batterie Lithium-Ion
 18V 5,2Ah PXC Plus batterie Lithium-Ion
 18V 4,0Ah/6,0Ah PXC Plus batterie Lithium-Ion
 18V 5,0Ah/8,0Ah PXC Plus batterie Lithium-Ion
 18V PXC chargeur rapide à double raccord
 18V PXC chargeur rapide

Contactez votre détaillant pour les modèles plus spécifiques de batteries et de chargeurs disponibles dans votre région. Vous pouvez également explorer les options de batterie + chargeur sur Einhell.com.


3. Utilisation conforme

La scie à chaîne est destinée à l'abattage de petits arbres et au sciage de troncs, branches, poutres en bois, planches, etc. et peut être utilisée pour des coupes transversales et longitudinales. Elle ne convient pas pour le sciage d'autres matériaux que le bois.

La machine ne doit être utilisée que conformément à sa destination. Toute autre utilisation dépassant ce cadre n'est pas conforme. C'est l'utilisateur / l'opérateur qui est responsable de tous les dommages ou blessures de toute nature en résultant et non pas le fabricant.

Veuillez noter que nos appareils n'ont pas été conçus pour une utilisation commerciale, artisanale ou industrielle. Nous n'accordons aucune garantie si l'appareil est utilisé dans des entreprises commerciales, artisanales ou industrielles ou pour des activités équivalentes.

4. Caractéristiques techniques

Alimentation électrique
 du moteur: 18V 
 Vitesse sans charge TR/MIN:..... 0-3,300
 Longueur de la barre:..... 25 cm (10")
 Écartement
 de la chaîne:9,5 mm ($\frac{3}{8}$ "")
 Jauge de chaîne 1,1 mm (0,043")
 Chaîne de scie:Excelsior & Sharp: 3/8LP.043.40E
 Barre:..... Excelsior & Sharp : ES104MLEA041
 Vitesse de coupe à une
 vitesse nominale: 6,5 m/s (256 ips)
 Capacité du
 réservoir d'huile:..... 150 ml (5 fl oz)
 Poids (outil seulement):.....3,6 kg (8 lb)

Portez une protection auditive.

Le bruit peut provoquer une perte d'acuité auditive.

Limitez à un minimum l'émission de bruit et les vibrations !

- Utilisez uniquement des appareils irréprochables.
- Entretenez et nettoyez l'appareil régulièrement.
- Adaptez votre méthode de travail à l'appareil.
- Ne surchargez pas l'appareil.
- Faites examiner l'appareil le cas échéant.
- Éteignez l'appareil lorsqu'il n'est plus utilisé.
- Portez des gants.

5. Avant la mise en service

Avertissement !

Retirez toujours la batterie avant de régler l'appareil.

Danger ! N'insérez la batterie que lorsque la scie à chaîne est entièrement montée et la tension de chaîne est réglée. Pour éviter des blessures, portez toujours des chaussures de protection pendant les travaux sur la scie à chaîne.

5.1 Montage de la barre et de la chaîne à scie

- Déballez soigneusement toutes les pièces et vérifiez leur intégralité (fig. 2-3).
- Desserrez le bouton de verrouillage du couvercle de la roue à chaîne (fig. 4).
- Retirez le couvercle de la roue à chaîne (fig. 5)

- Placez la chaîne dans la rainure périphérique de la barre (fig. 6 / voir la flèche).
- Placez la barre et la chaîne dans le logement de la scie à chaîne, comme illustré. Ce faisant, enroulez la chaîne autour du pignon (fig. 7 et 8 / pos. 12).
- Réinstallez le couvercle de la roue à chaîne et fixez-le à l'aide du bouton de verrouillage (fig. 9). Attention ! Ne visser fermement le bouton de verrouillage qu'après le réglage de la tension de chaîne (voir le point 5.2).

5.2 Réglage de la tension la chaîne de scie

Avertissement ! Retirez toujours la batterie avant de procéder au contrôle et aux travaux de réglage. Pour éviter des blessures, portez constamment des chaussures de protection pendant les travaux sur la scie à chaîne.

- Desserrez de quelques tours le bouton de verrouillage du couvercle de la roue à chaîne (fig. 4).
- Réglez la tension de chaîne au moyen du bouton de tension de chaîne (fig. 10 / pos. 10). La rotation vers la droite accroît la tension de la chaîne, la rotation vers la gauche décroît la tension de la chaîne. La tension de la chaîne est correcte lorsqu'elle peut être soulevée d'environ 3-4 mm (0,12"-0,16") au milieu de la barre (fig. 11).
- Serrez le bouton de verrouillage du couvercle de la roue à chaîne (fig. 9).

Danger ! Tous les maillons de chaîne doivent se trouver correctement dans la rainure de guidage de la barre.

Remarques pour tendre la chaîne :

La chaîne de scie doit être tendue correctement pour garantir un fonctionnement sûr. La tension est optimale lorsque la chaîne de scie peut être soulevée de 3-4 mm (0,12"-0,16") au milieu de la barre.

Puisque la chaîne de scie s'échauffe par le sciage, ce qui l'allonge, veuillez vérifier toutes les 10 minutes la tension de chaîne et ajustez-la en cas de besoin. C'est notamment le cas des chaînes de scie neuves. Détendez la chaîne de scie lorsque le travail est fini parce qu'elle se raccourcit en se refroidissant. Ainsi, vous prévenez les dommages à la chaîne.

5.3 Lubrification de la chaîne de scie

Avertissement ! Retirez toujours la batterie avant de procéder au contrôle et aux travaux de réglage. Pour éviter des blessures, portez constamment des chaussures de protection pen-

dant les travaux sur la scie à chaîne.

Remarque ! N'utilisez jamais la scie à chaîne sans huile pour chaînes de scie ! L'utilisation de la scie à chaîne sans huile pour chaînes de scie ou si le niveau d'huile est inférieur au minimum marqué (fig. 12) endommage la scie à chaîne !

Remarque ! Tenir compte des conditions thermiques : Différentes températures ambiantes exigent des lubrifiants de viscosité extrêmement variable. À basses températures, vous avez besoin d'huiles fluides (faible viscosité) pour créer une pellicule lubrifiante suffisante. Ou, si vous utilisez la même huile en été, elle se liquéfiera uniquement à cause des températures élevées. Cela peut rompre la pellicule lubrifiante au risque de surchauffer et d'endommager la chaîne. En outre, l'huile lubrifiante brûle et provoque une pollution superflue.

Remplir le réservoir d'huile :

- Déposez la scie à chaîne sur une surface plane.
- Nettoyez la zone autour du bouchon du réservoir d'huile (fig. 12 / pos. 7) et l'ouvrir ensuite.
- Remplir le réservoir d'huile à chaîne de scie. Ce faisant, empêchez la pénétration des salissures dans le réservoir pour ne pas obstruer la buse.
- Refermez le bouchon du réservoir d'huile.

6. Fonctionnement

Il est recommandé au premier utilisateur au moins de s'exercer à couper du bois rond sur un chevallet ou un râtelier.

6.1 Mise en marche / à l'arrêt

Mise en marche

- Insérez une batterie dans l'appareil comme représenté à la fig. 13.
- Tenez la scie à chaîne par les poignées avec les deux mains comme représenté à la fig. 15 (les pouces sous la poignée).
- Enfoncez et tenez le verrou de l'interrupteur (fig. 1 / pos. 5).
- Mettre en marche la scie à chaîne à l'aide de l'interrupteur de marche/arrêt (fig. 1 / pos. 6). Le verrou de l'interrupteur peut maintenant être relâché.

Mise à l'arrêt

Relâchez l'interrupteur de marche/arrêt (fig. 1 / pos. 6).

Le frein intégré immobilise la chaîne de scie tournante dans un délai extrêmement court. Retirez la batterie si vous interrompez le travail.

Avertissement ! Portez la scie uniquement par la poignée avant ! Si vous portez la scie prête à l'emploi uniquement par la poignée arrière avec les éléments de commande, il peut arriver que vous actionniez accidentellement en même temps le verrou de l'interrupteur et l'interrupteur de marche/arrêt et que la scie à chaîne démarre.

6.2 Dispositifs de protection**Frein moteur**

Le moteur freine la chaîne de scie, dès que l'interrupteur de marche/arrêt (fig. 1 / pos. 6) est relâché ou l'alimentation électrique est interrompue. Cela réduit sensiblement le risque d'une blessure par une chaîne tournant par inertie.

Frein de chaîne

Le frein de chaîne est un mécanisme de protection déclenché par la protection des mains avant (fig. 1 / pos. 2). Si la scie à chaîne est projetée en arrière par un recul, le frein de chaîne se déclenche et arrête la chaîne de scie en moins de 0,1 seconde.

Vérifiez régulièrement le fonctionnement du frein de chaîne. Pour ce faire, rabattez la protection des mains (fig. 1 / pos. 2) vers l'avant et allumez brièvement la scie à chaîne. La chaîne à scie ne doit pas démarrer.

Tirez vers l'arrière la protection des mains avant (fig. 1 / pos. 2) jusqu'à son enclenchement pour déclencher le frein de chaîne.

Danger ! N'utilisez pas la scie à chaîne si les protections de sécurité ne fonctionnent pas parfaitement. Ne tentez pas de réparer vous-même les dispositifs de protection importants pour la sécurité, mais adressez-vous plutôt à nos centres de service ou à un autre atelier possédant des qualifications.

Protection des mains

Les protections des mains avant (frein de chaîne en même temps) (fig. 1 / pos. 2) et arrière (fig. 1 / pos. 14) protègent les doigts des blessures dues au contact avec la chaîne de scie si elle se brise à cause de surcharge.

6.3 Chargement de la batterie au Lithium-Ion (non inclus)

Vous trouverez les instructions correspondantes dans le mode d'emploi d'origine de votre chargeur.

6.4 Affichage de la capacité de la batterie (fig. 14 / pos. 19)

Appuyez sur l'interrupteur de l'affichage de la capacité de la batterie (20). L'affichage de la capacité de la batterie (19) signale l'état de charge de la batterie au moyen de 3 DEL.

Les 3 DEL s'allument:

La batterie est complètement chargée.

2 ou 1 DEL s'allument:

La batterie a une charge résiduelle suffisante.

1 DEL clignote:

La batterie est déchargée, chargez la batterie.

Tous les voyants clignent :

La température de la batterie est trop basse. Retirez la batterie de l'appareil, laissez-la à température ambiante pendant une journée. Si le défaut se reproduit, cela signifie que la batterie rechargeable a subi une décharge complète et est défectueuse. Retirez la batterie de l'équipement. N'utilisez ou ne chargez jamais une batterie défectueuse.

7. Utilisation de la scie à chaîne**7.1 Préparation**

Avant chaque utilisation, vérifiez les points suivants pour pouvoir travailler avec plus de sécurité:

État de la scie à chaîne

Avant l'utilisation, vérifiez si la scie à chaîne présente des dommages sur le boîtier, la chaîne de scie et la barre. N'utilisez jamais un appareil évidemment endommagé.

Réservoir d'huile

Niveau du réservoir d'huile. Pendant l'utilisation, vérifiez s'il y a toujours suffisamment d'huile. Pour ne pas endommager la scie à chaîne, n'utilisez jamais s'il n'y a pas d'huile ou si le niveau d'huile est tombé au-dessous du marquage de «min» (fig. 12). En moyenne, un remplissage suffit pour 15 minutes, en fonction des pauses et de la charge.

Chaîne de scie

Tension de la chaîne, état des tranchants. Plus la chaîne de scie est aiguisée, plus le fonctionnement de la scie à chaîne est aisé et contrôlable. Il en va de même pour la tension de chaîne. Vérifiez la tension de la chaîne aussi pendant le fonctionnement toutes les 10 minutes pour accroître votre sécurité ! Les chaînes de scie neuves en particulier ont tendance à s'étirer davantage.

Frein de chaîne

Vérifiez le fonctionnement du frein de chaîne, comme il est décrit dans le chapitre « Dispositifs de protection » et déclenchez-le.

Vêtement de protection

Portez toujours des vêtements de protection près du corps appropriés, tels que les pantalons anti-coupure, les gants et les chaussures de sécurité.

Protection auditive et lunettes de protection

Lors des travaux d'abattage et des travaux forestiers, portez toujours un casque de protection avec protection auditive et faciale intégrée. Il protège contre la chute des branches et les branches rebondissantes.

7.2 Description de la marche à suivre correcte lors des travaux de base

Abattage d'arbre (fig. 16 -19)

Si deux personnes ou plus coupent ou abattent en même temps, la distance entre les personnes qui coupent et celles qui abattent doit être au moins le double de la hauteur de l'arbre à abattre (fig. 16). Pendant l'abattage des arbres, il faut veiller à ce que les autres personnes soient hors du danger, qu'aucune lignes électriques ne soit touchées et aucun dommage matériel ne puisse être causé. Si un arbre touche une ligne électrique, en informer immédiatement l'entreprise chargée d'approvisionnement électrique. En cas de sciage sur une pente, l'opérateur de la scie à chaîne doit se tenir sur le terrain au-dessus de l'arbre à abattre, parce que l'arbre abattue roulera ou glissera le long de la pente (fig. 17).

Avant l'abattage, une voie de sortie doit être prévue et libérée, le cas échéant. La voie de sortie doit mener obliquement vers l'arrière à partir de la ligne de chute attendue, comme représenté dans la figure 18 (A = zone de danger, B = direction de chute, C = zone d'évacuation).

Avant l'abattage, l'inclinaison naturelle de l'arbre, la position des grandes branches et le sens du

vent doivent être pris en compte pour l'évaluation de la direction de la chute de l'arbre.

Enlevez de l'arbre les saletés, pierres, brins d'écorce, clous, pinces et fils.

Sciage d'une encoche d'abattage (fig. 19)

Sciez une encoche à l'angle droit par rapport à la direction de chute (A) d'une profondeur de 1/3 du diamètre de l'arbre, comme il est montré dans la figure 19. Sciez d'abord l'encoche horizontale inférieure (1). Cela permet d'éviter le coincement de la chaîne de scie ou la barre de guidage lors du sciage de la deuxième encoche.

Sciage d'un trait d'abattage (fig. 19)

Sciez le trait d'abattage au moins 50 mm (2") au-dessus de l'encoche horizontale. Sciez le trait d'abattage (B) parallèlement à l'encoche horizontale. La profondeur du trait d'abattage devrait être telle qu'il ne reste plus qu'un seul segment (nerve de visée) (D) qui pourrait servir de charnière. Le segment empêche que l'arbre tourne et tombe en mauvaise direction. Ne sciez pas le segment. L'arbre devrait commencer à tomber à l'approche du trait d'abattage sur le segment. S'il s'avère que l'arbre pourrait éventuellement ne pas tomber dans la direction de chute souhaitée (C) ou s'il se penche en arrière et coince la chaîne de scie, interrompre le trait d'abattage et utiliser des cales en bois, en plastique ou en aluminium pour remettre l'arbre dans la ligne de chute souhaitée. Lorsque l'arbre commence à tomber, retirez la scie de chaîne de la coupe, l'éteindre, la déposez et quittez la zone dangereuse par la voie de sortie prévue. Faire attention aux branches tombantes et ne pas trébucher.

Ébranchage

Ce terme signifie le détachement des branches de l'arbre abattu. Lors de l'ébranchage de grandes branches dirigées vers le bas qui servent d'appui à l'arbre, les laisser d'abord jusqu'à ce que le tronc soit scié. Couper de petites branches, conformément à la figure 20 (A = direction de coupe pour l'ébranchage, B = tenir à l'écart du sol ! Laissez les branches d'appui jusqu'à ce que le tronc soit scié), d'un trait de bas en haut. Les branches tendues devraient être sciées de bas en haut pour éviter le coincement de la scie.

Tronçonner un tronc d'arbre

Ce terme indique le sectionnement de l'arbre abattu. Veuillez adopter une position stable et répartir uniformément votre poids corporel sur les

deux pieds. Si possible, mettez au-dessous de l'arbre des branches, des poutres ou des cales pour l'appuyer. Suivez les instructions pour le sciage simple.

Si le tronc d'arbre est positionné de manière uniforme sur toute sa longueur, comme il est montré dans la figure 21, sciez de haut en bas. Ce faisant, veillez à ne pas toucher le sol.

Si le tronc d'arbre est posé sur une extrémité, comme il est montré dans la figure 22, sciez d'abord 1/3 du diamètre du tronc à partir de la face inférieure (A) pour éviter des éclats. Effectuez la deuxième coupe à partir du haut (2/3 du diamètre) à la hauteur de la première coupe (B) (pour éviter le coincement).

Si le tronc d'arbre est posé sur deux extrémités, comme il est montré dans la figure 23, sciez d'abord 1/3 du diamètre du tronc à partir de la face supérieure pour éviter des éclats (A). Effectuez la deuxième coupe à partir du bas (2/3 du diamètre) à la hauteur de la première coupe (B) (pour éviter le coincement).

En cas de travaux de sciage sur une pente, se tenir constamment au-dessus du tronc d'arbre, comme il est montré dans la figure 15. Pour garder le contrôle total au moment du sciage en deux, réduire la pression à la fin de la coupe sans desserrer la prise sur les poignées de la scie à chaîne. Veillez à ce que la chaîne de scie ne touche pas le sol. À l'achèvement de la coupe, attendre l'arrêt de la chaîne de scie avant d'en retirer la scie de chaîne. Arrêtez toujours le moteur de la scie à chaîne, avant de passer d'un arbre à l'autre.

7.3 Recul

L'on entend par le recul le rebondissement soudain de la scie à chaîne en mouvement. Le plus souvent en sont la cause le contact de la pièce à usiner avec la pointe de la barre ou le coincement de la chaîne de scie.

De grandes forces se déploient brusquement lors du recul. C'est pourquoi la scie de chaîne réagit généralement de manière incontrôlée. S'ensuivent souvent de graves blessures de l'opérateur et des personnes l'entourant. Le risque de recul est particulièrement élevé en cas de coupes latérales, de coupes transversales et longitudinales parce que la griffe ne peut pas être utilisée. Pour cette raison, évitez si possible de telles coupes et procédez avec une précaution particulière si vous ne pouvez pas faire autrement ! Le risque d'un recul est le plus grand si vous appliquez la scie dans la zone de la pointe de la

barre parce que l'effet de levier y est le plus fort (fig. 24). Pour cette raison, utilisez la scie toujours de manière la plus plane possible et près de la griffe (fig. 25).

Avertissement !

- Assurez-vous que la tension de la chaîne est toujours correctement ajustée !
- N'utilisez une scie à chaîne que si elle est en parfait état de fonctionnement !
- Ne travaillez qu'avec une chaîne de scie aiguisée conformément aux prescriptions !
- Ne sciez jamais au-dessus de la hauteur des épaules !
- Ne sciez jamais avec le bord supérieur ou la pointe de la barre !
- Tenez toujours fermement la scie à chaîne avec les deux mains !
- Si possible, utilisez toujours la griffe en guise de levier.

Sciage du bois sous tension

Le sciage du bois qui se trouve sous tension exige une prudence particulière ! Le bois se trouvant sous tension, qui sera libéré de la tension par le sciage, réagit parfois de manière totalement incontrôlée. Cela peut entraîner des blessures graves, voire mortelles (fig. 26-28). Seuls les professionnels formés devraient effectuer de tels travaux.

8. Nettoyage et entretien

Danger !

- Retirez la batterie avant chaque nettoyage.
- Ne plongez jamais l'appareil dans l'eau ou d'autres liquides pour le nettoyer.

8.1 Nettoyage

- Nettoyez régulièrement le mécanisme de tension en soufflant dessus avec de l'air comprimé ou en l'époussetant avec une brosse. N'utilisez pas d'outils pour le nettoyage.
- Maintenez les poignées exemptes d'huile pour avoir toujours une bonne prise.
- Si besoin, nettoyez l'appareil toujours avec un chiffon humide et un détergent doux, le cas échéant.
- Si la scie à chaîne ne va pas être utilisée pendant une période prolongée, enlevez l'huile pour chaînes du réservoir. Plongez brièvement la chaîne de scie et la barre dans l'huile et enroulez-la ensuite dans du papier huilé.

8.2 Maintenance

Changer la chaîne de scie et la barre.

La barre doit être remplacée lorsque :

- La rainure de guidage de la barre est usée.
- Le pignon droit de la barre est endommagé ou usé.

Démontez la plaque adaptateur (pos. 18) de la barre comme représenté dans la figure 29. Montez la plaque adaptateur sur la nouvelle barre.

Procédez à cette fin comme il est décrit dans le chapitre « Montage de la barre » !

Vérification de la lubrification automatique de la chaîne

Vérifiez régulièrement le fonctionnement de la lubrification automatique de la chaîne de scie pour prévenir une surchauffe et l'endommagement qui en est liée de la barre et de la chaîne de scie. À cette fin, dirigez la pointe de la barre contre une surface lisse (planche, coupe d'un arbre) et faites fonctionner la scie de chaîne.

Si, pendant cette procédure, vous voyez une trace d'huile croissante, la lubrification automatique de la chaîne de scie fonctionne correctement. Si vous ne voyez pas de trace d'huile nette, veuillez-vous rapporter aux indications correspondantes figurant au chapitre « Dépannage » ! Si même ces indications n'aident pas, adressez-vous à nos centres de service ou à un atelier qualifié.

Danger ! Ne touchez pas à la surface. Respectez une distance de sécurité suffisante d'environ 20 cm (7,8").

Affutage de la chaîne de scie

Une utilisation efficace de la scie n'est possible que si la chaîne est en bon état et affûtée. Cela réduit le risque d'un recul.

La chaîne de scie peut être réaffûtée chez chaque revendeur spécialisé. N'essayez pas d'affûter la scie par vous-même si vous n'avez pas d'outil approprié et l'expérience nécessaire.

9. Consignes concernant la protection de l'environnement / élimination

Apportez l'appareil à la fin de service à une déchèterie appropriée. Ne jetez pas l'appareil avec les déchets ménagers, mais apportez-le à un point de collecte des appareils électriques dans l'intérêt de la protection de l'environnement. Votre commune vous communiquera volontiers les adresses et les heures d'ouverture. Déposez également le matériel d'emballage et les accessoires usés aux points de collecte prévus à cette fin.

10. Entreposage

Entreposez l'appareil et ses accessoires dans un endroit sombre, sec et exempt de gel ainsi que hors la portée des enfants. La température d'entreposage optimale se situe entre 10 °C et 40 °C (50 °F et 104 °F). Entreposez l'outil électrique dans l'emballage d'origine.

Une réimpression ou toute autre reproduction de la documentation et des documents accompagnant les produits, même par extraits, ne sont autorisées qu'avec accord exprès d'Einhell Germany AG.

Sous réserve des modifications techniques.

11. Dépannage

Danger !

Mettre à l'arrêt l'appareil et retirez la batterie avant le dépannage.

Le tableau ci-dessous présente des symptômes de défauts et décrit la procédure à suivre en cas de problème de votre appareil. Si cela ne vous aide pas à localiser et supprimer le problème, adressez-vous à votre centre de service.

Problème	Cause probable	Solution
Scie à chaîne ne fonctionne pas.	<ul style="list-style-type: none"> - Frein de chaîne enclenché. - Pas d'alimentation électrique. 	<ul style="list-style-type: none"> - Remettre en position la protection des mains. - Vérifiez la batterie.
La scie à chaîne fonctionne par intermittence.	<ul style="list-style-type: none"> - Mauvais contact interne. - Interrupteur marche / arrêt défectueux. 	<ul style="list-style-type: none"> - Faire appel à un centre de service. - Faire appel à un centre de service.
La chaîne de scie est sèche.	<ul style="list-style-type: none"> - Pas d'huile dans le réservoir. - Aération du bouchon de réservoir d'huile obstrué. - Canal d'écoulement d'huile obstrué. 	<ul style="list-style-type: none"> - Ajoutez de l'huile. - Nettoyez le bouchon de réservoir d'huile. - Dégagez le canal d'écoulement d'huile.
Frein de chaîne ne fonctionne pas.	<ul style="list-style-type: none"> - Problème de mécanisme de commutation dans la protection des mains avant. 	<ul style="list-style-type: none"> - Faire appel à un centre de service.
Chaîne / barre chaude.	<ul style="list-style-type: none"> - Pas d'huile dans le réservoir. - Aération du bouchon de réservoir d'huile obstrué. - Canal d'écoulement d'huile obstrué. - Chaîne émoussée. 	<ul style="list-style-type: none"> - Ajoutez de l'huile. - Nettoyez le bouchon de réservoir d'huile. - Dégagez le canal d'écoulement d'huile. - Affutez ou remplacez la chaîne.
La scie à chaîne arrache, vibre ou ne coupe pas correctement.	<ul style="list-style-type: none"> - Tension de chaîne trop lâche. - Chaîne émoussée. - Chaîne usée. - Les dents de scie pointent dans la mauvaise direction. 	<ul style="list-style-type: none"> - Réglez la tension de chaîne. - Affutez ou remplacez la chaîne. - Remplacez la chaîne. - Montez la chaîne de scie avec les dents dans la bonne direction.



Peligro! - Leer el manual de instrucciones para reducir cualquier riesgo de sufrir daños.



Cuidado! Usar protección para los oídos. La exposición al ruido puede ser perjudicial para el oído.



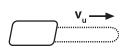
Cuidado! Llevar gafas de protección. Durante el trabajo, la expulsión de chispas, astillas, virutas y polvo por el aparato pueden provocar pérdida de vista.



Almacenamiento de la batería sólo en espacios secos con una temperatura ambiente de 50°F to 104°F (+10°C to +40°C). Guardar la batería únicamente cuando estén cargadas (mín. al 40%).



No exponer el aparato a la lluvia.



Velocidad de cadena máxima.



¡Desbloquear el freno de cadena antes de la puesta en marcha!



Antes de eliminar el aparato es preciso retirar la batería. Advertencia sobre la eliminación de la batería:
La batería no se deben desechar en la basura doméstica.



Sostener la motosierra inalámbrica siempre con ambas manos.



Un contragolpe puede tener como consecuencia lesiones por corte fatales.

Peligro!

Al usar aparatos es preciso tener en cuenta una serie de medidas de seguridad para evitar lesiones o daños. Por este motivo, es preciso leer atentamente este manual de instrucciones/advertencias de seguridad. Guardar esta información cuidadosamente para poder consultarla en cualquier momento. En caso de entregar el aparato a terceras personas, será preciso entregarles, asimismo, el manual de instrucciones/advertencias de seguridad. No nos hacemos responsables de accidentes o daños provocados por no tener en cuenta este manual y las instrucciones de seguridad.

1. Instrucciones de seguridad**Peligro!**

Lea todas las instrucciones de seguridad e indicaciones. El incumplimiento de dichas instrucciones e indicaciones puede provocar descargas, incendios y/o daños graves. **Guarde todas las instrucciones de seguridad e indicaciones para posibles consultas posteriores.**

Instrucciones generales de seguridad para herramientas eléctricas

El término de "herramienta eléctrica" que se usa en las instrucciones de seguridad se refiere a las herramientas que funcionan en red (con cable de conexión) y con batería (sin cable de conexión).

1. Seguridad en el lugar de trabajo

- a) **Mantener limpia y bien iluminada la zona de trabajo.** *Las zonas de trabajo desordenadas o sin luz pueden conllevar accidentes.*
- b) **No trabajar con este aparato eléctrico en un entorno explosivo en el que se hallen líquidos, gases o polvos inflamables.** *Las herramientas eléctricas generan chispas que pueden inflamar el polvo o los vapores.*
- c) **Mantener alejados a niños y a otras personas fuera del alcance de la herramienta eléctrica.** *Las distracciones pueden hacer perder el control sobre el aparato.*

2. Seguridad eléctrica

- a) **El enchufe del aparato eléctrico debe ser el adecuado para la toma de corriente. El enchufe no debe ser modificado de ningún modo. No emplear adaptadores de enchufe con aparatos eléctricos puestos a tierra.** *Los enchufes sin modificar y las*

tomas de corriente adecuadas reducen el riesgo de una descarga eléctrica.

- b) **Evitar el contacto corporal con superficies con toma de tierra como tubos, calefacciones, fogones y frigoríficos.** *Existe un gran riesgo de descarga eléctrica si su cuerpo se halla puesto a tierra.*
- c) **Mantener los aparatos eléctricos alejados de la lluvia o la humedad.** *Si entra agua en el aparato eléctrico existirá mayor riesgo de una descarga eléctrica.*
- d) **No utilizar el cable de forma inadecuada, no utilizarlo para transportar el aparato, colgarlo o retirarlo de la toma de corriente. Mantener el cable alejado del calor, aceites, cantos afilados o partes del aparato en movimiento.** *Los cables dañados o mal enrollados aumentan el riesgo de descarga eléctrica.*
- e) **Si se trabaja con una herramienta eléctrica al aire libre, emplear sólo alargaderas que también sean adecuadas para el exterior.** *El empleo de una alargadera apropiada para trabajos en el exterior reduce el riesgo de descarga eléctrica.*
- f) **Si no se puede evitar tener que utilizar la herramienta eléctrica en un entorno húmedo, utilizar un dispositivo de protección diferencial.** *El uso de un dispositivo de protección diferencial reduce el riesgo de sufrir una descarga eléctrica.*

3. Seguridad de personas

- a) **Prestar atención al trabajo, comprobar lo que se está haciendo y proceder de forma razonable durante el trabajo de una herramienta eléctrica. No emplear la herramienta eléctrica si se está cansado o bajo la influencia de drogas, alcohol o medicamentos.** *Una mínima falta de atención durante el uso de la herramienta eléctrica puede causar lesiones graves.*
- b) **Llevar equipo de protección personal. Llevar siempre gafas protectoras.** *El equipo de protección (como mascarilla antipolvo, calzado de seguridad antideslizante, casco o protección auditiva) usado en las condiciones adecuadas sirve para reducir las lesiones personales.*
- c) **Prevenir un arranque no intencionado. Asegurarse de que el interruptor se encuentre en la posición OFF antes de conectar la herramienta a la fuente eléctrica y/o BATERÍA, alzarla o transportarla.** *El transporte de herramientas eléctricas con el*

dedo en el interruptor o la activación de herramientas eléctricas con el interruptor en ON puede provocar accidentes.

- d) **Retirar las herramientas de ajuste o la llave antes de conectar la herramienta eléctrica.** *Una herramienta o llave que se haya olvidado en partes giratorias del aparato puede producir lesiones.*
 - e) **Evitar trabajar en una posición corporal inadecuada. Adoptar una posición segura y mantener en todo momento el equilibrio.** *Ello permite controlar mejor la herramienta eléctrica en situaciones inesperadas.*
 - f) **Llevar ropa de trabajo adecuada. No llevar ropa holgada ni joyas durante el trabajo. Mantener el cabello, la ropa y los guantes alejados de las piezas en movimiento.** *La ropa holgada, las joyas o los cabellos largos pueden ser atrapados por las piezas en movimiento.*
 - g) **Si el aparato permite instalar dispositivos de aspiración y recogida del polvo, es preciso asegurarse de que estén conectados y se empleen de forma correcta.** *La utilización de un aspirador de polvo puede reducir los peligros provocados por el mismo.*
 - h) **A pesar de estar muy familiarizado con el uso de las herramientas, no confiarse en exceso ni ignorar las normas de seguridad de la herramienta.** *Un descuido puede conllevar una lesión grave en milésimas de segundo.*
- 4. Empleo y tratamiento de la herramienta eléctrica**
- a) **No sobrecargar el aparato. Usar la herramienta eléctrica específica para cada trabajo.** *Con la herramienta eléctrica adecuada se trabaja mejor y con más seguridad permaneciendo dentro de la potencia indicada.*
 - b) **No usar ninguna herramienta eléctrica cuyo interruptor esté defectuoso.** *Una herramienta eléctrica que ya no pueda conectarse o desconectarse conlleva peligros y debe repararse.*
 - c) **Desconectar el enchufe de la toma de corriente y/o retirar la batería, si es desmontable, de la herramienta eléctrica antes de realizar cualquier ajuste, cambiar accesorios o almacenarla.** *Este tipo de medidas de seguridad preventivas sirve para reducir el riesgo de poner en marcha la herramienta eléctrica de manera involuntaria.*
 - d) **Guardar las herramientas eléctricas que no se usen fuera del alcance de los niños.**

No permitir el uso del aparato a personas que no estén familiarizadas con él o no hayan leído estas instrucciones. *Las herramientas eléctricas son peligrosas si las usan personas sin experiencia.*

- e) **Realizar el mantenimiento de las herramientas eléctricas y los accesorios. Comprobar que las piezas móviles no estén desajustadas ni atascadas, que las piezas no presenten rotura ni otras condiciones que puedan afectar al funcionamiento de la herramienta eléctrica.** *En caso de que la herramienta eléctrica esté dañada, es preciso que sea reparada antes de utilizarla de nuevo.* *Muchos accidentes se provocan a causa de un mantenimiento deficiente de la herramienta eléctrica.*
 - f) **Mantener limpias y afiladas las herramientas de corte.** *Las herramientas de corte bien cuidadas con cantos afilados se bloquean con menor frecuencia y pueden manejarse de forma más sencilla.*
 - g) **Respetar estas instrucciones cuando se desee utilizar la herramienta eléctrica, los accesorios, piezas de recambio, etc. Para ello, tener en cuenta las condiciones de trabajo y la tarea a ejecutar.** *El uso de herramientas eléctricas para otros fines diferentes a los previstos puede originar situaciones peligrosas.*
 - h) **Mantener asas y empuñaduras secas, limpias y libres de aceite y grasa.** *Las asas y empuñaduras resbaladizas impiden manejar con seguridad y controlar la herramienta en situaciones inesperadas.*
- 5. Empleo y tratamiento de la herramienta eléctrica**
- a) **Cargar la batería sólo en cargadores recomendados por el fabricante.** *Existe el peligro de incendio si se utiliza un cargador, indicado sólo para un tipo concreto de baterías, para otro tipo de baterías.*
 - b) **Utilizar sólo las baterías indicadas para la herramienta eléctrica en cuestión.** *El uso de otras baterías puede provocar daños y conllevar peligro de incendio.*
 - c) **Mantener cualquier batería que no se esté utilizando alejada de grapas, monedas, llaves, clavos, tornillos u otros objetos metálicos pequeños que podrían provocar un puenteo de los contactos.** *Un cortocircuito entre los contactos de la batería puede tener como consecuencia quemaduras o provocar fuego.*

- d) **Si se utiliza incorrectamente podría salir líquido de la batería. Evitar el contacto con el líquido. En caso de tocar accidentalmente el líquido, lavar la zona afectada con agua. Si el líquido penetra en los ojos, acudir a un médico. El líquido de la batería puede provocar irritaciones en la piel o quemaduras.**
- e) **No utilizar BATERÍAS ni herramientas que estén dañadas o modificadas. Las baterías dañadas o modificadas pueden manifestar comportamientos impredecibles que pueden dar lugar a incendio, EXPLOSIÓN o riesgo de lesión.**
- f) **No exponer una BATERÍA ni herramienta al fuego o a una temperatura excesiva. La exposición al fuego o a una temperatura superior a los 266°F (130°C) puede provocar una explosión.**
- g) **Seguir todas las instrucciones de carga y no cargar la BATERÍA ni herramienta fuera del margen de temperatura especificado en las instrucciones. Una carga inadecuada o a temperaturas fuera del margen especificado puede dañar la batería e incrementar el riesgo de incendio.**
- 6. Servicio**
- a) **Sólo especialistas cualificados deben reparar la herramienta eléctrica, empleando para ello únicamente piezas de repuesto originales. Esta forma de proceder garantiza la seguridad de la herramienta eléctrica.**
- b) **No reparar nunca BATERÍAS dañadas. La reparación de las BATERÍAS dañadas solo la puede llevar a cabo el fabricante o un distribuidor autorizado.**

Instrucciones de seguridad especiales

Con el fin de ofrecerte baterías con la máxima densidad de energía, larga duración y seguridad, prestamos el mayor cuidado en su montaje. Las celdas de la batería disponen de dispositivos de seguridad de varios niveles. En primer lugar se asigna el formato a cada celda y se registran sus características eléctricas. A continuación, estos datos se utilizan para agrupar las celdas y crear la mejores baterías. **A pesar de todas las medidas de seguridad, siempre es necesario tener precaución al utilizar baterías. Para un funcionamiento seguro es obligatorio tener en cuenta los siguientes puntos.**
¡El funcionamiento seguro sólo está garantizado si las celdas no están dañadas! Un manejo inadecuado puede dañar las celdas.

¡Atención! Los análisis confirman que un uso y un cuidado inadecuados son la principal causa de los daños provocados por baterías de alta potencia.

Advertencias sobre la batería

1. La batería del aparato no se suministra cargada. Antes de la primera puesta en marcha, es preciso recargarla por completo.
2. ¡Para que la batería trabaje de forma óptima evitar ciclos de descarga prolongados! Recargar la batería con frecuencia.
3. Guardar la batería en un lugar fresco, lo ideal son 59°F (15°C), y como mínimo cargada al 40%.
4. Las baterías de iones de litio están sujetas a un desgaste natural. ¡La batería debe ser sustituida como muy tarde cuando su rendimiento sea menor al 80% respecto a su estado cuando era nueva! Las celdas deterioradas de un conjunto de baterías envejecido no cumplen con los altos requisitos de rendimiento, representando un riesgo para la seguridad.
5. No tirar las baterías usadas al fuego. ¡Peligro de explosión!
6. No prender la batería ni exponerla al fuego.
7. **¡Evitar una descarga total de las baterías!** Este tipo de descarga daña las celdas de la batería. La causa más frecuente de la descarga total de la batería es el largo almacenamiento o la no utilización de baterías parcialmente descargadas. Terminar el trabajo en cuanto se aprecie que la potencia disminuye o se activa el sistema electrónico de protección. Almacenar la batería sólo tras haberla cargado completamente.
8. **¡Proteger las baterías y el aparato contra sobrecarga!** La sobrecarga conduce rápidamente a un sobrecalentamiento y daño de las celdas del interior de la carcasa de batería, sin que el sobrecalentamiento se perciba externamente.
9. **¡Evitar daños y golpes!** Sustituir inmediatamente las baterías que hayan caído desde una altura superior a un metro o que hayan sufrido golpes fuertes, incluso aunque la carcasa de la batería no parezca dañada. Las celdas que se encuentren en su interior podrían estar gravemente dañadas. Tener en cuenta también las indicaciones de eliminación.
10. En caso de sobrecarga y sobrecalentamiento, el circuito de protección integrado desconecta el aparato por motivos de seguridad.

¡Atención! Dejar de pulsar el interruptor On/Off cuando el circuito de protección haya desconectado el aparato. Podría dañar la batería.

11. Utilizar exclusivamente baterías originales. El uso de otras baterías puede provocar daños, así como explosión y peligro de incendio.
12. **Proteger la batería de la humedad, la lluvia y la humedad ambiental elevada.** La humedad, la lluvia y la humedad ambiental elevada pueden provocar daños peligrosos en las celdas. No cargar ni trabajar nunca con baterías que hayan estado expuestas a la humedad, la lluvia o humedad ambiental elevada, ¡reemplazarlas de inmediato!
13. Si el aparato está dotado de una batería extraíble, por motivos de seguridad será preciso extraerla una vez finalizado el trabajo.

Advertencias sobre el cargador y el proceso de carga

1. Observar los datos indicados en la placa de identificación del cargador. Conectar el cargador sólo a la tensión nominal indicada en la placa de características.
2. Proteger el cargador y el cable de daños y cantos afilados. Los cables dañados deben ser cambiados exclusivamente por un electricista profesional.
3. Mantener el cargador, las baterías y el aparato fuera del alcance de niños.
4. No emplear cargadores dañados.
5. No emplear el cargador suministrado para cargar otros aparatos a batería.
6. La batería se calienta bajo condiciones extremas de aplicación. Dejar que la batería se enfríe hasta alcanzar la temperatura ambiental antes de empezar a cargar.
7. **¡No cargar demasiado las baterías!** Respetar los tiempos de carga máximos. Estos tiempos de carga se aplican únicamente a baterías descargadas. Si una batería cargada o parcialmente cargada se conecta varias veces al cargador se produce una sobrecarga y un daño de las celdas. No deje las baterías en el cargador por más de 48 horas.
8. **No utilizar ni cargar nunca baterías si se tiene la sospecha de que la última carga de la batería puede haberse realizado hace más de 12 meses.** Existe una alta probabilidad de que la batería ya esté gravemente dañada (descarga total).
9. Cargar la batería a una temperatura de menos de 50°F (10°C) provoca daños químicos en las celdas y puede conllevar peligro de

incendio.

10. No utilizar baterías que se hayan calentado durante la carga, ya que sus celdas podrían dañarse peligrosamente.
11. Dejar de usar baterías que se hayan deformado o abombado durante la carga, o aquellas que presenten síntomas inusuales (desprendimiento de gases, zumbidos, chasquidos,...)
12. No descargar la batería por completo (nivel de descarga recomendado: máx. 80%). La descarga total provoca un envejecimiento prematuro de las celdas de la batería.
13. ¡No cargar nunca las baterías sin supervisión!

Protección contra influencias ambientales

1. Ponerse ropa de trabajo adecuada. Ponerse gafas de protección.
2. **Proteger el aparato y el cargador de la humedad y la lluvia.** Éstas podrían provocar daños peligrosos en las celdas.
3. No utilizar el aparato y el cargador cerca de vapores y líquidos inflamables.
4. Utilizar el cargador y el aparato a batería sólo si están secos y a una temperatura ambiente de 50°F-104°F (10-40 °C).
5. No guardar la batería en lugares que puedan alcanzar una temperatura superior a 104°F (40 °C), especialmente no en un vehículo aparcado al sol.
6. **¡Proteger las baterías contra un sobrecalentamiento!** La sobrecarga, carga excesiva o la radiación solar conducen a un sobrecalentamiento y al daño de las celdas. No cargar ni trabajar en ningún caso con baterías que se hayan sobrecalentado. Sustituirlas inmediatamente.
7. **Almacenamiento de baterías, cargadores y del aparato.** Guardar siempre el cargador y el aparato en habitaciones secas con una temperatura ambiente de 50°F-104°F (10-40°C). Guardar la batería de iones de litio en un lugar fresco y seco a 50°F-68°F (10-20°C). ¡Proteger de la humedad ambiental y de la radiación solar! Guardar las baterías únicamente cuando estén cargadas (mín. al 40%).
8. Evitar que la batería de iones de litio se hiele. Deshacerse de las baterías que hayan estado guardadas a 32°F (0°C) durante más de 60 minutos.
9. Llevar cuidado con la carga electrostática al manipular baterías: las descargas electrostáticas provocan daños en el sistema electrónico de protección y las celdas de la batería. ¡Evitar por ello la carga electrostática y no tocar nunca los polos de la batería!

Precaución y eliminación de la batería

Eliminación

Si su artefacto necesita ser reemplazado luego de un uso prolongado, no lo arroje a la basura doméstica. Hágalo de una forma ecológica y segura.



Los desechos producidos por máquinas eléctricas no deben ser manipulados como basura doméstica común. Recíclelos donde hayan emplazamientos de reciclaje.

Consulte con las autoridades o tienda minorista de su localidad para obtener información sobre reciclaje.

Deshágase de su batería de acuerdo con los reglamentos federales, estatales y locales. Para encontrar lugares de reciclaje, comuníquese con un servicio de reciclaje en su localidad.

⚠ ¡PRECAUCIÓN! Incluso las baterías descargadas contienen algo de energía. Antes de deshacerse de éstas, use cinta aislante para cubrir los terminales y evitar que la batería haga cortocircuito, lo cual puede causar una explosión o incendio.

⚠ ¡ADVERTENCIA! Para reducir el riesgo de lesiones personales o explosión, nunca queme o incinere una batería incluso si está dañada, inservible o completamente descargada. Al ser quemada, los humos y materiales tóxicos son emitidos a la atmósfera circundante.

1. Las baterías varían de acuerdo al dispositivo. Consulte su manual para obtener la información específica.
2. Instale solo nuevas baterías del mismo tipo en su producto (donde corresponda).
3. No insertar las baterías con la polaridad correcta, tal como se indica en el compartimiento de la batería o en el manual, puede reducir el ciclo de vida útil de las baterías o causar fugas en las baterías.
4. No combine baterías nuevas con antiguas.
5. No combine baterías alcalinas, estándar (de zinc-carbono) o recargables (de níquel-cadmio, de níquel-hidruro metálico o de iones de litio).
6. No arroje las baterías al fuego. Pueden llegar a explotar.
7. Las baterías deben ser recicladas o desechadas según los reglamentos locales y estatales.

Para el envío o la eliminación de baterías o del aparato, estos deben embalarse por separado en bolsas de plástico para evitar cortocircuitos o incendios.

Advertencias de seguridad de la motosierra

1. **Mantener todas las partes del cuerpo alejadas de la cadena de la sierra cuando la motosierra esté funcionando. Antes de poner en marcha la motosierra, asegurarse de que la cadena no esté en contacto con nada.** Cualquier descuido mientras se opera la motosierra puede tener como consecuencia que se enrede la ropa o el cuerpo a la cadena.
2. **Sujetar siempre la motosierra con la mano derecha en la empuñadura trasera y con la mano izquierda en la empuñadura delantera.** Si se sujeta la motosierra al revés se aumenta el riesgo de lesiones personales, por lo que nunca debe hacerse.
3. **Sujetar la herramienta eléctrica únicamente por las superficies con revestimiento aislante puesto que la cadena puede toparse con cableado oculto.** Las cadenas de la sierra que entren en contacto con cables con corriente pueden hacer que las partes metálicas al descubierto de la herramienta eléctrica le provoquen una descarga eléctrica al usuario.
4. **Llevar protección ocular. Se recomienda utilizar equipamiento de protección adicional para los oídos, la cabeza, las manos, las piernas y los pies.** La ropa de protección adecuada reducirá las lesiones personales provocadas por escombros voladores o contacto accidental con la cadena de la sierra.
5. **No use una motosierra sobre una escalera, un techo o soportes inestables. El uso de una motosierra de esta manera podría resultar en lesiones personales graves.**
6. **No utilice la sierra subido en un árbol, a menos que haya recibido capacitación específica para hacerlo. La operación de una motosierra en un árbol sin la capacitación adecuada podría aumentar el riesgo de lesiones personales graves.**
7. **Mantener siempre bien apoyados los pies y operar la motosierra sólo cuando esté parada en una superficie fija, segura y nivelada.** Las superficies resbaladizas o inestables, como las escaleras, pueden causar una pérdida de equilibrio o de control de la motosierra.

8. **Cuando se corte una rama que esté en tensión, prestar atención al retroceso.** Cuando se libera la tensión en las fibras de madera, la rama podría golpear al operario y/o lanzar fuera de control la motosierra.
9. **Tener mucho cuidado al cortar arbustos y arbolitos.** El material fino puede atascar la cadena de la motosierra y dispararla hacia el operario o desequilibrarle.
10. **Llevar la motosierra, estando apagada, por la empuñadura delantera y alejada del cuerpo. A la hora de transportar o almacenar la motosierra, poner siempre la cubierta de la barra guía.** Si se manipula de manera adecuada, se reduce la posibilidad de entrar accidentalmente en contacto con la cadena de la sierra en movimiento.
11. **Seguir las instrucciones para la lubricación, el tensado de la cadena y cambio de la barra y la cadena.** Una cadena mal tensada o lubricada se puede romper o incrementar el riesgo de retroceso.
12. **Cortar solo madera. No utilizar la motosierra para fines para los que no haya sido concebida. Por ejemplo: no utilizar la motosierra para cortar metal, plástico, mampostería o materiales de construcción que no sean de madera.** El uso de la motosierra para operaciones distintas a las previstas puede provocar una situación peligrosa.
13. **No intentar talar un árbol hasta que se entiendan los riesgos y se sepa cómo poder evitarlos.** Al talar un árbol, el usuario o las personas en las inmediaciones pueden sufrir lesiones graves.
14. **Siga todas las instrucciones al retirar material atascado, almacenar o reparar la motosierra. Asegúrese de que el interruptor esté apagado y de extraer primero la batería.** La acción inesperada de la máquina al quitar material atascado o realizar tareas de mantenimiento podría resultar en lesiones personales graves.
15. **Recomendación de que el primer usuario practique, como mínimo, el corte de troncos en un caballo de sierra o en una cuna.**
16. **Recomendación de que el afilado y el mantenimiento de la cadena de la motosierra se realicen en centros de servicio autorizados.**

Causas y prevención del retroceso por parte del operario:

El retroceso puede ocurrir cuando el extremo o la punta de la barra guía toca un objeto, o cuando la madera se cierra y aprieta la cadena de la sierra en el corte.

En algunos casos, el contacto con la punta puede causar una reacción inversa repentina, golpeando la barra guía hacia arriba y empujándola hacia atrás hacia el operario.

El pinzamiento de la cadena de la motosierra a lo largo de la parte superior de la barra guía puede empujar la barra guía rápidamente hacia atrás en dirección al operario.

Cualquiera de estas reacciones puede provocar una pérdida de control de la motosierra y podría dar como resultado una lesión personal grave. No confiar exclusivamente en los dispositivos de seguridad incorporados a la sierra. Como usuario de una motosierra, debería tener en consideración varios pasos para no sufrir accidentes ni lesiones en los trabajos de corte.

El retroceso es el resultado del uso incorrecto de la herramienta y/o de procedimientos o condiciones de funcionamiento incorrectos y se puede evitar tomando las precauciones adecuadas que se indican a continuación:

- **Mantener un agarre firme, con los pulgares y los dedos rodeando las empuñaduras de la motosierra, con ambas manos en la sierra y colocar el cuerpo y brazo para permitir resistir las fuerzas de retroceso.** Si se toman las precauciones adecuadas, el operario podrá controlar las fuerzas de retroceso. No soltar la motosierra.
- **No excederse y no cortar por encima de la altura de los hombros.** Así se evitará el contacto involuntario con la punta y se podrá controlar mejor la motosierra en situaciones inesperadas.
- **Utilizar únicamente barras y cadenas de repuesto especificadas por el fabricante.** Las barras y cadenas de repuesto incorrectas pueden causar rotura y/o retroceso de la cadena.
- **Seguir las instrucciones de afilado y mantenimiento del fabricante para la cadena de la sierra.** La disminución de la altura del calibre de profundidad puede provocar un mayor retroceso.

Riesgos residuales

Incluso si esta herramienta se utiliza adecuadamente, siempre existen riesgos residuales.

En función de la estructura y del diseño de esta herramienta eléctrica pueden producirse los siguientes riesgos:

- Lesiones por corte si no se lleva ninguna ropa de protección.
- Lesiones pulmonares en caso de que no se utilice una mascarilla de protección antipolvo.
- Lesiones auditivas en caso de que no se utilice una protección para los oídos adecuada.
- Daños a la salud derivados de las vibraciones de las manos y los brazos si el aparato se utiliza durante un largo periodo tiempo, no se sujeta del modo correcto o si no se realiza un mantenimiento adecuado.

¡Aviso! Esta herramienta eléctrica genera un campo electromagnético durante su funcionamiento. En determinadas circunstancias, este campo podrá afectar a los posibles implantes médicos activos o pasivos. Para reducir el peligro de lesiones graves o incluso mortales, recomendamos a las personas que lleven este tipo de implantes que consulten a su médico y al fabricante del implante antes de operar la máquina.

GUARDE ESTAS INSTRUCCIONES

2. Descripción del aparato y volumen de entrega

2.1 Descripción del aparato

1. Tope da garra
2. Protector de manos delantero (freno de cadena)
3. Empuñadura delantera
4. Empuñadura trasera
5. Botón de bloqueo de conexión
6. Interruptor ON/OFF
7. Tapa del depósito de aceite
8. Cubierta de la rueda de la cadena
9. Tornillo de fijación para la cubierta de la rueda de la cadena
10. Tornillo tensor de la cadena
11. Indicación del nivel de llenado del aceite de la cadena
12. Piñón de cadena
13. Dispositivo de retención
14. Protector de manos trasero
15. Cuchilla
16. Cadena de la sierra
17. Cubierta protectora
18. Placa adaptadora
19. Indicador de capacidad de batería

20. Pulsador para indicar la capacidad de batería
21. Batería (no se suministra)

2.2 Volumen de entrega

Sirviéndose de la descripción del volumen de entrega, comprobar que el artículo esté completo. Si faltase alguna pieza, dirigirse a nuestro Service Center o a la tienda especializada más cercana en un plazo máximo de 5 días laborales tras la compra del artículo presentando un recibo de compra válido.

- Abrir el embalaje y extraer cuidadosamente el aparato.
- Retirar el material de embalaje, así como los dispositivos de seguridad del embalaje y para el transporte (si existen).
- Comprobar que el volumen de entrega esté completo.
- Comprobar que el aparato y los accesorios no presenten daños ocasionados durante el transporte.
- Si es posible, almacenar el embalaje hasta que transcurra el periodo de garantía.

Peligro!

¡El aparato y el material de embalaje no son un juguete! ¡No permitir que los niños jueguen con bolsas de plástico, láminas y piezas pequeñas! ¡Riesgo de ingestión y asfixia!

- Motosierra inalámbrica
- Cuchilla
- Cadena de la sierra
- Cubierta protectora
- Manual de instrucción original con instrucción de seguridad

Accesorios disponibles por separado

18V 2.0Ah PXC batería Li-Ion
 18V 2.5Ah PXC batería Li-Ion
 18V 3.0Ah PXC batería Li-Ion
 18V 4.0Ah PXC batería Li-Ion
 18V 3.0Ah PXC Plus batería Li-Ion
 18V 4.0Ah PXC Plus batería Li-Ion
 18V 5.2Ah PXC Plus batería Li-Ion
 18V 4.0Ah/6.0Ah PXC Plus batería Li-Ion
 18V 5.0Ah/8.0Ah PXC Plus batería Li-Ion
 18V PXC cargador rápido de doble Puerto
 18V PXC cargador rápido

Comuníquese con su distribuidor local para obtener modelos más específicos de baterías y cargadores disponibles en su área. Explorar las opciones de batería y cargador en einhell.com.


3. Uso adecuado

La motosierra ha sido diseñada para talar árboles y para serrar troncos, ramas, vigas de madera, tablas, etc., pudiendo ser utilizada para practicar cortes tanto longitudinales como transversales. No es apta para serrar otros materiales que no sea la madera.

Utilizar la máquina sólo en los casos que se indican explícitamente como de uso adecuado. Cualquier otro uso no será adecuado. En caso de uso inadecuado, el fabricante no se hace responsable de daños o lesiones de cualquier tipo; el responsable es el usuario u operario de la máquina.

Tener en consideración que nuestro aparato no está indicado para un uso comercial, industrial o en taller. No asumiremos ningún tipo de garantía cuando se utilice el aparato en zonas industriales, comerciales o talleres, así como actividades similares.

4. Características técnicas

Alimentación de tensión
de motor: 18V 

Velocidad sin carga: 0-3,300 RPM (min⁻¹)

Longitud de barra-guía
de cadena: 10" (25 cm)

Paso de la cadena: 3/8" (9.5 mm)

Medidor de cadena: 0.043" (1.1 mm)

Cadena de
la sierra: Excelsior & Sharp: 3/8LP,043.40E

Longitud de barra-guía
de cadena: .. Excelsior & Sharp : ES104MLEA041

Velocidad de corte a
velocidad nominal: 256 ips (6.5 m/s)

Capacidad del tanque
de aceite: 5 fl oz (150 ml)

Peso (solo herramienta): 8 lb (3.6 kg)

Usar protección para los oídos.

La exposición al ruido puede ser perjudicial para el oído.

¡Reducir la emisión de ruido y las vibraciones al mínimo!

- Emplear sólo aparatos en perfecto estado.
- Realizar el mantenimiento del aparato y limpiarlo con regularidad.
- Adaptar el modo de trabajo al aparato.

- No sobrecargar el aparato.
- En caso necesario dejar que se compruebe el aparato.
- Apagar el aparato cuando no se esté utilizando.
- Llevar guantes.

5. Antes de la puesta en marcha

¡AVISO!

Quitar siempre la batería antes de realizar ajustes en el aparato.

¡Peligro! Encajar la batería una vez esté completamente montada la motosierra y se haya ajustado la tensión de la cadena. Llevar siempre puestos guantes de protección al efectuar trabajos en la motosierra a fin de evitar lesiones.

5.1 Montaje de la espada y de la cadena

- Desembalar todas las piezas con cuidado y comprobar que estén completas (fig. 2-3)
- Soltar el tornillo de fijación para la cubierta de la rueda de la cadena (fig. 4)
- Retirar la cubierta de la rueda de la cadena (fig. 5)
- Colocar la cadena en la ranura circular de la cuchilla como se muestra en la ilustración (fig. 6/véase flecha).
- Colocar la espada y la cadena en el alojamiento de la motosierra según la ilustración. Pasar la cadena rodeando el piñón (fig. 7/8/ pos. 12).
- Colocar la cubierta de la rueda de la cadena y sujetar con el tornillo de fijación (fig. 9).
¡Atención! Apretar definitivamente el tornillo de fijación una vez que se haya ajustado la tensión de la cadena (véase punto 5.2).

5.2 Cómo tensar la cadena de la sierra

¡Atención! Desenchufar siempre el aparato antes de proceder a las tareas de comprobación y ajuste. Llevar siempre puestos guantes de protección al efectuar trabajos en la motosierra a fin de evitar lesiones.

- Soltar algunas vueltas el tornillo de fijación para la cubierta de la rueda de la cadena (fig. 4)
- Ajustar la tensión de la cadena mediante el tornillo tensor de la sierra (fig. 10/pos. 10). Girando a la derecha se incrementa la tensión de la cadena, girando a la izquierda se reduce la tensión de la cadena. La cadena de

la sierra presentará la tensión correcta si se puede elevar en el centro de la espada aprox. de 0.12"-0.16" (3-4 mm) (fig. 11).

- Apretar el tornillo de fijación para la cubierta de la rueda de la cadena (fig. 9).

Peligro! Todos los eslabones de la cadena han de alojarse correctamente en la ranura guía de la espada.

Instrucciones para tensar la cadena:

La cadena de la sierra ha de estar tensada correctamente a fin de garantizar un funcionamiento seguro. Se sabe que la tensión es la óptima si la cadena se puede elevar en el centro de la espada aprox. de 0.12"-0.16" (3-4 mm) Ya que la cadena de la sierra se calienta al serrar, modificándose así su longitud, es preciso comprobar su tensión 10 minutos y regularla según sea necesario. Esto es especialmente importante para las cadenas de sierra nuevas. Destensar la cadena de la sierra al terminar de trabajar, ya que ésta se acorta al enfriarse. De este modo se evita que se dañe la cadena.

5.3 Lubricación de la cadena de la sierra

Aviso: Desenchufar siempre la batería antes de proceder a las tareas de comprobación y ajuste. Llevar siempre puestos guantes de protección al efectuar trabajos en la motosierra a fin de evitar lesiones.

Advertencia! ¡No operar jamás la cadena sin el aceite apropiado! ¡El uso de la motosierra sin aceite de cadena o con un nivel de aceite por debajo de la marca del mínimo (fig. 12) provoca daños en la motosierra!

Advertencia! Tener en cuenta las condiciones térmicas: las distintas temperaturas ambiente requieren lubricantes con una viscosidad de lo más variado. A bajas temperaturas se requieren aceites muy fluidos (baja viscosidad) para crear la película lubricante necesaria. Ahora bien, si se utiliza el mismo aceite en época de verano, éste seguiría fluidificándose por la simple acción de las altas temperaturas. De este modo puede desprenderse la película lubricante, sobrecalentarse la cadena y dañarse. Asimismo, el aceite lubricante se quema, provocando una innecesaria emisión de contaminantes.

Llenar el depósito del aceite:

- Colocar la cadena de la sierra sobre una superficie plana.
- Limpiar la zona que rodea a la tapa del depó-

sito de aceite (fig. 12/pos. 7) y abrirla a continuación.

- Llenar el depósito con aceite para cadena de sierra. Asegurarse de que no penetre suciedad en el depósito para que la tobera del aceite no se atasque.
- Cerrar la tapa del depósito de aceite.

6. Manejo

Se recomienda a las personas que utilicen el aparato por primera vez que practiquen cortando madera redonda solo sobre un caballete o bastidor.

6.1 Conectar/Desconectar

Conexión

- Introducir una batería en el aparato como se muestra en la figura 13.
- Sujetar la motosierra por las asas con ambas manos según la fig. 15 (pulgares por debajo de la empuñadura).
- Presionar y mantener pulsado el botón de bloqueo de conexión (fig. 1/pos. 5).
- Conectar la motosierra pulsando el interruptor ON/OFF (fig. 1/pos. 6). Ya se puede volver a soltar el botón de bloqueo de conexión.

Desconexión

Soltar el interruptor ON/OFF (fig. 1/pos. 6).

El freno integrado se encarga de detener de inmediato la cadena de la sierra. En caso de interrumpir el trabajo, desenchufar siempre el aparato.

Aviso! ¡Transportar la sierra por la empuñadura delantera! Si transporta la sierra conectada, sujeta únicamente por la empuñadura posterior, que contiene los botones de mando, puede ocurrir que se accionen involuntariamente de manera simultánea el botón de bloqueo de conexión y el interruptor ON/OFF y que se ponga en marcha la motosierra.

6.2 Dispositivos de seguridad

Freno del motor

El motor frena la cadena de la sierra en cuanto se haya soltado el interruptor ON/OFF (fig. 1/pos.6) o se haya interrumpido la alimentación eléctrica. Esto reduce significativamente el riesgo de sufrir lesiones por la inercia de la cadena.

Freno de cadena

El freno de la cadena es un mecanismo de protección que se activa a través del protector de manos delantero (fig. 1/pos. 2). Si la motosierra sale despedida hacia atrás por un contragolpe se accionará el freno, deteniéndose la cadena de la sierra en menos de 0,1 segundos. Comprobar con regularidad la operatividad del freno de cadena. A tal efecto, plegar el protector de manos (fig. 1/pos. 2) hacia delante y conectar la motosierra durante un breve espacio de tiempo. La cadena de la sierra no deberá ponerse en marcha. Para soltar el freno de la cadena tirar hacia atrás del protector de manos delantero (fig. 1/pos. 2), hasta que encaje.

Peligro! No utilizar la sierra si no funcionan perfectamente los dispositivos de protección. No intentar reparar uno mismo los dispositivos de protección relevantes desde el punto de vista de la seguridad; dirigirse para ello a nuestro servicio posventa o a un taller similar especializado.

Protector de manos

El protector de manos delantero (a la vez freno de cadena) (fig. 1/pos. 2) y el protector de manos trasero (fig. 1/pos. 14) protegen los dedos evitando lesiones por contacto con la cadena de la sierra, en caso de que ésta se rompiera por sobrecarga.

6.3 Cómo cargar la batería de litio (no incluido en el volumen de entrega)

Las instrucciones correspondientes se encuentran en el manual de instrucciones original del cargador.

6.4 Indicador de capacidad de batería (fig. 14 / pos. 19)

Pulsar el interruptor para acceder al indicador de capacidad de la batería (20). El indicador de capacidad de batería (19) le indica el estado de carga de la batería sirviéndose de 3 LEDs.

Los 3 LED están iluminados:

La batería está completamente cargada.

2 o 1 LED están iluminados

La batería dispone de suficiente carga residual.

1 LED parpadea:

La batería está vacía, es preciso cargarla.

Si todos los LED parpadean:

La temperatura de la batería es demasiado baja. Quitar la batería del aparato y dejarla durante un día a temperatura ambiente. Si vuelve a aparecer el fallo, la batería se ha descargado completamente y está defectuosa. Quitar la batería del aparato. Está prohibido emplear o cargar una batería defectuosa.

7. Trabajar con la motosierra**7.1 Preparación**

Antes de cada uso, comprobar los siguientes puntos para poder trabajar de forma segura:

Estado de la motosierra

Revisar la motosierra antes de comenzar a trabajar para comprobar si existen daños en la carcasa, el cable de conexión, la cadena de la sierra y la guía. Jamás se pondrá en marcha un aparato que presente daños evidentes.

Recipiente de aceite

Nivel de llenado del recipiente de aceite. Comprobar también durante el trabajo que siempre haya aceite suficiente. Jamás se operará la sierra sin aceite o si el nivel del mismo desciende por debajo de la marca del mínimo (fig. 12) para evitar que se dañe la motosierra.

Un llenado suele bastar para trabajar unos 15 minutos, variando en función de las pausas y de la carga.

Cadena de la sierra

Tensión de la cadena de la sierra, estado del modo de corte. Cuanto más afilada esté la cadena de la sierra, más controlable y fácil de operar será la motosierra. Lo mismo sucede con la tensión de la cadena. ¡Para su seguridad, comprobar también durante el trabajo la tensión de la cadena cada 10 minutos! En particular, cadenas de sierra nuevas tienden a sufrir una mayor dilatación.

Freno de cadena

Comprobar la operatividad del freno de cadena según se describe en el capítulo "Dispositivos de seguridad" y proceder a soltarlo.

Ropa de protección

Es imprescindible llevar puesta la correspondiente indumentaria de protección ajustada al cuerpo como, p. ej., pantalones protectores para cortar, unos guantes y calzado de seguridad.

Llevar protección para los oídos y gafas protectoras.

Para efectuar trabajos de tala y forestales es imprescindible llevar puesto un casco de seguridad con protección facial y auditiva. Dicho casco ofrece protección frente a ramas que caigan y tallos que reboten.

7.2 Explicación sobre la correcta actuación en trabajos básicos

Tala de árboles (fig. 16-19)

Si hay dos o más personas cortando y talando al mismo tiempo, la distancia entre dichas personas ha de ser al menos el doble de la altura del árbol que se esté talando (fig. 16). Al talar árboles se ha de prestar atención a que no haya nadie expuesto a situación de peligro, que no puedan dañarse cables aéreos y que no se provoquen daños materiales. Si un árbol entra en contacto con un cable aéreo será preciso ponerlo en conocimiento inmediato de la empresa de suministro de energía.

Al serrar en terrenos con pendiente, el usuario de la motosierra ha de situarse por encima del árbol que se va a talar, ya que el árbol se deslizará o rodará cuesta abajo después de talarlo (fig. 17). Antes de talar, se ha de prever una vía de emergencia y, si es necesario, limpiarla antes de empezar. Esta vía ha de conducir hacia atrás en diagonal con respecto a la línea de caída prevista, según se indica en la figura 18 (A= zona de peligro, B= dirección de caída, C= zona de salida de emergencia).

Antes de talar, considerar la inclinación natural del árbol, la posición de las ramas de mayor tamaño y la dirección del viento, a fin de poder estimar la dirección de caída del árbol.

Eliminar cualquier suciedad, piedras, corteza suelta, clavos, grapas y alambres en el árbol.

Hacer el primer corte de la muesca (fig. 19)

Serrar, en ángulo recto a la dirección de caída, una muesca (A) con una profundidad de 1/3 del diámetro del árbol según aparece indicado en la figura 19. En primer lugar, hacer el corte horizontal (1). Así se evita que quede aprisionada la cadena de la sierra o el riel guía al hacer el segundo corte.

Hacer el corte de talado (fig. 19)

Aplicar el corte de talado al menos 2" (50 mm) por encima del corte de hendidura horizontal. Practicar el corte de talado (B) paralelo al corte horizontal. Hacer el corte de talado serrando a una profundidad tal que solo quede un trozo de partición (listón de talado) (D) que pueda actuar de bisagra. El trozo de partición evita que el árbol gire y caiga en la dirección no prevista. No aserrar el trozo de partición. Al acercarse al corte de talado en el trozo de partición, el árbol comenzará a caer. Cuando parezca que el árbol pueda no caer en la dirección de caída deseada (C) o se incline hacia atrás y la cadena de la sierra quede aprisionada, interrumpir el corte de talado y utilizar cuñas de madera, plástico o aluminio para abrir el corte y para inclinar el árbol en la línea de caída deseada.

Cuando el árbol comience a caer, retirar la motosierra, desconectarla, depositarla y abandonar la zona de peligro por la vía prevista. Prestar atención a las ramas que caigan para no tropezar.

Desramado

Desramado significa cortar las ramas del árbol ya talado. Al proceder a dicha tarea, las ramas de mayor tamaño que miren hacia abajo y que soporten el árbol se dejarán en su lugar hasta que se haya aserrado el tronco. Cortar de abajo hacia arriba con un sólo corte las ramas de menor tamaño según la figura 20 (A= dirección de corte al desramar, B= ¡mantener alejado del suelo! Dejar las ramas que sirvan de apoyo hasta que se aserre el tronco). Las ramas que estén bajo tensión deberán serrarse de abajo arriba a fin de evitar que la sierra quede aprisionada.

Cortar el tronco a trozos

Aquí se hace referencia a cortar el árbol caído a trozos iguales. Cerciorarse de disponer de una base segura y de repartir de manera equilibrada el peso del cuerpo sobre ambos pies. A ser posible, utilizar ramas, travesaños o cuñas para calzar el tronco. Seguir las indicaciones sencillas para serrar con facilidad.

Si el tronco del árbol descansa sobre toda su longitud, según se indica en la figura 21, se comenzará a serrar desde arriba. Prestar atención a no penetrar en el suelo al cortar.

Si el tronco descansa sobre un extremo, como en la figura 22, serrar en primer lugar 1/3 del diámetro del mismo partiendo del lado inferior (A) para evitar que se astille. Efectuar el segundo corte desde arriba (2/3 del diámetro) a la altura

del primer corte (B) (para evitar que quede aprisionado).

Si el tronco descansa sobre ambos extremos, como en la figura 23, serrar en primer lugar 1/3 del diámetro del mismo partiendo del lado superior para evitar que se astille (A). Efectuar el segundo corte desde abajo (2/3 del diámetro) a la altura del primer corte (B) (para evitar que quede aprisionado).

Al trabajar en terrenos con pendiente, permanezca siempre por encima del tronco a talar, según se indica en la figura 15. Para mantener el control total durante la tala, reducir la presión aplicada conforme se vaya a finalizar el corte, agarrando con firmeza en todo momento las empuñaduras de la motosierra. Prestar atención a que la cadena de la sierra no entre en contacto con el suelo. Al finalizar el corte, esperar a que la cadena de la sierra se detenga antes de extraer la motosierra de la incisión. Desconectar siempre el motor de la motosierra antes de pasar de un árbol a otro.

7.3 Contragolpe

Por contragolpe se entiende la sacudida súbita de la motosierra en marcha hacia arriba y hacia atrás. Las causas suelen ser que la pieza de trabajo entre en contacto con el extremo de la espada o que la cadena de la sierra quede atascada. En caso de contragolpe, entran en juego fuerzas de gran magnitud, por lo que la motosierra reacciona de manera incontrolada en la mayoría de los casos. La consecuencia más frecuente consiste en lesiones de máxima gravedad en el trabajador o de las personas que se hallen en las inmediaciones. Especialmente en el caso de cortes laterales, longitudinales y en diagonal, el riesgo de que se produzca un contragolpe es especialmente elevado ya que no puede hacerse uso del tope de garra. ¡Por lo tanto, evitar en la medida de lo posible efectuar dichos cortes y trabajar con especial cuidado cuando no sea posible evitarlos!

El riesgo de que se produzca un contragolpe aumenta especialmente cuando se empieza una incisión con el extremo de la espada, ya que la acción de palanca alcanza en dicho punto su máxima fuerza (fig. 24). Por ello, siempre se aplicará la sierra lo más plana y lo más cerca posible del tope de garra (fig. 25).

¡Atención!

- ¡Asegurar que la tensión de la cadena siempre sea la correcta!
- ¡Utilizar únicamente motosierras en perfecto estado!
- ¡Trabajar solamente con una motosierra afilada de forma reglamentaria!
- ¡No serrar jamás por encima de la altura de los hombros!
- ¡No serrar jamás con el canto superior o el extremo de la espada!
- ¡Sujetar siempre con firmeza la motosierra con las dos manos!
- Siempre que sea posible, utilizar el tope de garra como punto de apoyo de la palanca.

Serrar madera sometida a tensión

Serrar madera que se encuentre sometida a tensión requiere especial cuidado. La madera bajo tensión que quede liberada de dicha fuerza al serrarla reacciona en ocasiones de forma completamente incontrolada. Lo cual puede provocar lesiones de máxima gravedad e incluso mortales (fig. 26-28).

Dichos trabajos solo podrán ser llevados a cabo por especialistas debidamente formados.

8. Mantenimiento y limpieza

Peligro!

- Desenchufar la batería antes de realizar trabajos de limpieza.
- Bajo ningún pretexto se sumergirá el aparato ni en agua ni en otro tipo de líquidos.

8.1 Limpieza

- Limpiar con regularidad el mecanismo tensor mediante aire comprimido o con un cepillo. No utilizar ningún tipo de herramientas para retirar las impurezas.
- Mantener las empuñaduras limpias de aceite para sujetar siempre con un agarre seguro.
- Limpiar el aparato, según sea necesario, con un paño húmedo y, dado el caso, con un producto limpiador suave.
- Si la motosierra no se utiliza por un espacio prolongado de tiempo, retirar el aceite de la cadena procedente del depósito. Aplicar un baño de aceite a la cadena de la sierra y la espada durante un breve espacio de tiempo; a continuación, envolver en papel parafinado.

8.2 Mantenimiento

Sustitución de la cadena de la sierra y de la espada

La espada ha de ser sustituida si

- la ranura guía de la espada está desgastada.
- el engranaje recto de la espada está dañado o desgastado.

Desmontar la placa adaptadora (pos. 18) de la cuchilla como se muestra en la figura 29. Montar ahora la placa adaptadora a la nueva cuchilla. ¡Procedase al respecto según lo indicado en el capítulo „Montaje de espada y cadena de la sierra“!

Comprobar la lubricación automática de la cadena

Comprobar con regularidad la operatividad de la lubricación automática de la cadena con el fin de evitar el sobrecalentamiento y los daños asociados de la espada y la cadena de la sierra. A tal efecto, dirigir el extremo de la espada contra una superficie lisa (tabla, incisión de un árbol) y hacer funcionar la motosierra.

Si aparece un rastro de aceite cada vez mayor durante el proceso, entonces la lubricación automática de la cadena funciona a la perfección. Si no aparece ningún rastro claro de aceite, ¡leer las instrucciones correspondientes que aparecen en el capítulo “Localización de averías”! Si tampoco sirven de ayuda dichas instrucciones, será preciso dirigirse a nuestro servicio posventa o a un taller similar especializado.

Peligro! No tocar la superficie durante el proceso. Mantener la suficiente distancia de seguridad (aprox. 20 cm/7.8”).

Afilarse la cadena de la sierra

Solo es posible llevar a cabo un trabajo efectivo con la motosierra si la cadena de la sierra se encuentra en óptimas condiciones y está afilada. De este modo también se reduce el riesgo de contragolpe.

La cadena de la sierra puede afilarse en cualquier concesionario. No intentar afilar uno mismo la cadena de la sierra si no se dispone de la herramienta apropiada, así como de la experiencia necesaria.

9. Instrucciones para la protección del medio ambiente / eliminación de residuos

Eliminar el aparato de manera adecuada cuando ya esté fuera de uso. Quitar el cable de conexión para evitar un uso indebido. No tirar el aparato a la basura doméstica; por el contrario, llevarlo a una entidad colectora de aparatos eléctricos en aras de salvaguardar el medio ambiente. Su municipio se complacerá en informarle sobre las direcciones y horarios de apertura de dichos puntos. Asimismo, depositar los materiales de embalaje y los accesorios desgastados en los lugares de recogida previstos a tal efecto.

10. Almacenamiento

Guardar el aparato y sus accesorios en un lugar oscuro, seco, protegido de las heladas e inaccesible para los niños. La temperatura de almacenamiento óptima se encuentra entre los 50°F y 104°F (10°C y 40°C). Guardar la herramienta eléctrica en su embalaje original.

Sólo está permitido copiar la documentación y documentos anexos del producto, o extractos de los mismos, con autorización expresa de Einhell Germany AG.

Nos reservamos el derecho a realizar modificaciones técnicas.

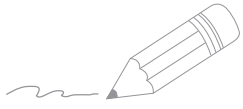
11. Localización de averías

Peligro!

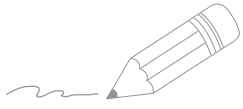
Antes de la localización de averías es preciso apagar el aparato y quitar la batería.

En la siguiente tabla se describen posibles fallos y se ofrecen soluciones para su eliminación. Si no se puede localizar ni subsanar el problema, será preciso ponerse en contacto con su taller de asistencia técnica.

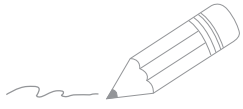
Causa	Fallo	Solución
La motosierra no funciona	<ul style="list-style-type: none"> - Freno de contragolpe activado - Sin alimentación de corriente 	<ul style="list-style-type: none"> - Tirar hacia atrás del protector de manos hasta colocarlo en posición - Comprobar alimentación de corriente
La motosierra funciona de forma discontinua	<ul style="list-style-type: none"> - Contacto flojo externo - Contacto flojo interno - Interruptor ON/OFF defectuoso 	<ul style="list-style-type: none"> - Buscar un taller especializado - Buscar un taller especializado - Buscar un taller especializado
Cadena de la sierra seca	<ul style="list-style-type: none"> - No hay aceite en el depósito - Purga de aire atascada en el cierre del depósito de aceite - Canal de salida del aceite atascado 	<ul style="list-style-type: none"> - Rellenar aceite - Limpiar cierre del depósito del aceite - Desbloquear canal de salida del aceite
El freno de cadena no funciona	<ul style="list-style-type: none"> - Problema con el mecanismo de conmutación en el protector de manos delantero 	<ul style="list-style-type: none"> - Buscar un taller especializado
Cadena/riel guía caliente	<ul style="list-style-type: none"> - No hay aceite en el depósito - Purga de aire atascada en el cierre del depósito de aceite - Canal de salida del aceite atascado - Cadena sin afilar 	<ul style="list-style-type: none"> - Rellenar aceite - Limpiar cierre del depósito del aceite - Desbloquear canal de salida del aceite - Volver a afilar la espada o cambiarla
La motosierra funciona a tirones, vibra o no sierra correctamente.	<ul style="list-style-type: none"> - Poca tensión en la cadena - Cadena sin afilar - Cadena desgastada - Los dientes de la sierra miran en la dirección incorrecta 	<ul style="list-style-type: none"> - Ajustar tensión de la cadena - Volver a afilar la espada o cambiarla - Cambiar cadena - Los dientes de la sierra miran en la dirección incorrecta



A series of horizontal lines for writing, starting from the top right of the page and extending downwards. The first line is partially occupied by the pencil illustration.



A series of 20 horizontal lines for writing, starting from the second line of the pencil illustration and continuing down the page.



A series of 20 horizontal lines for writing, starting from the line where the pencil is positioned and extending down the page.



www.Einhell.com

EH 12/2025 (01)