

Original operating instructions
Impact Drill

Einhell[®]

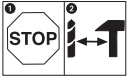
7



Art.-Nr.: 42.597.39

I.-Nr.: 11011

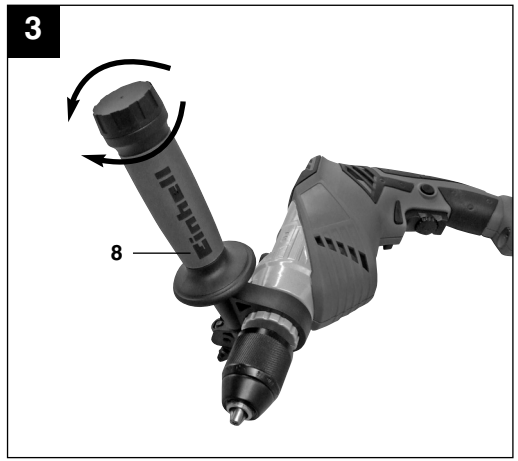
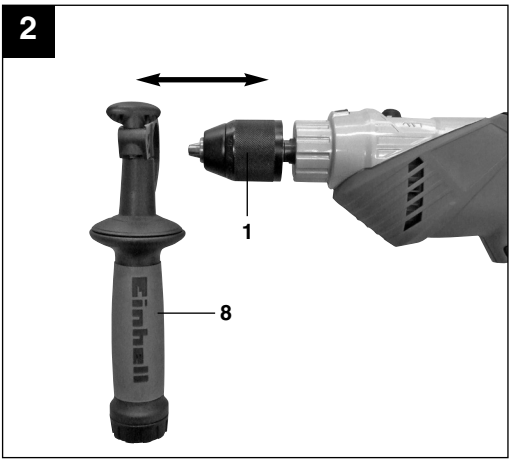
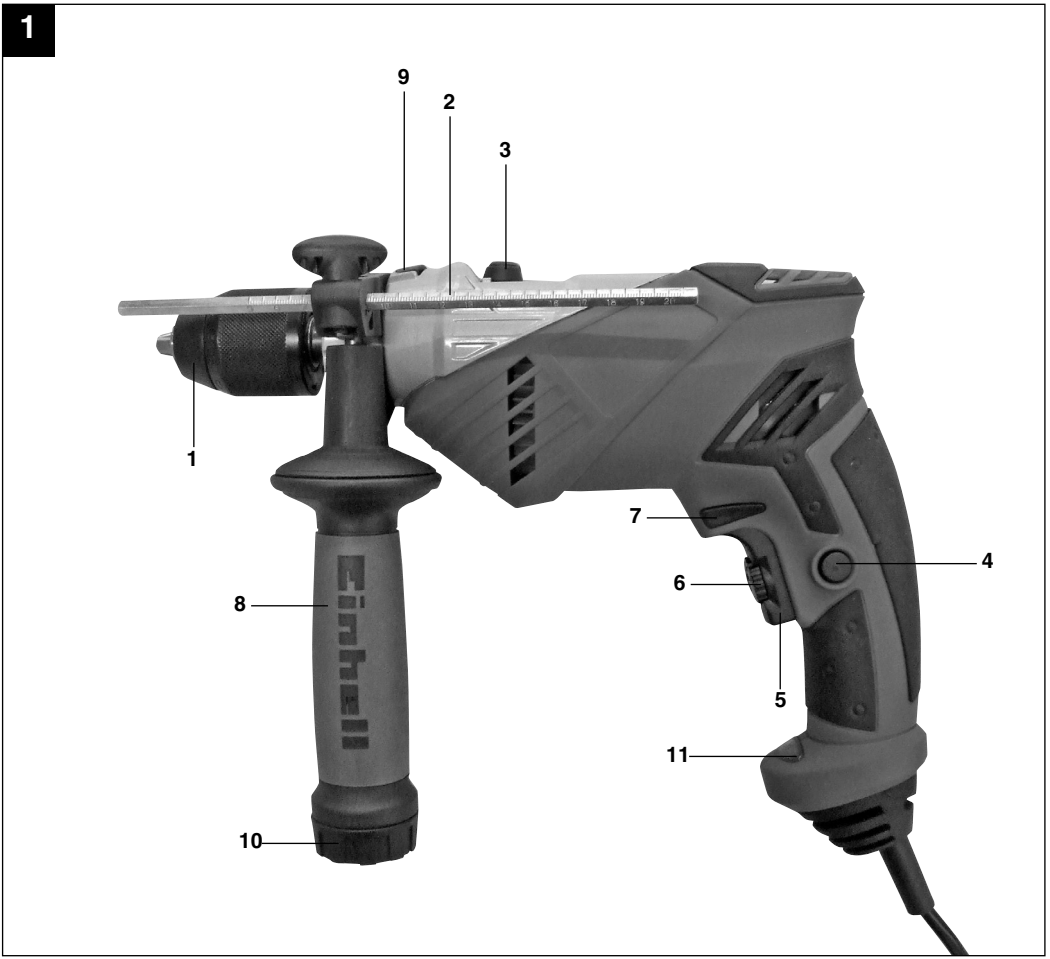
RT-ID 65

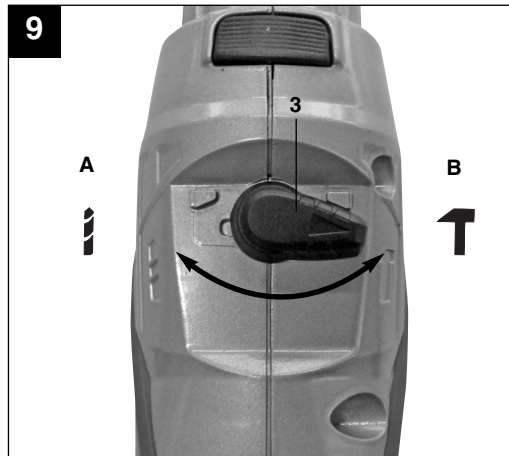
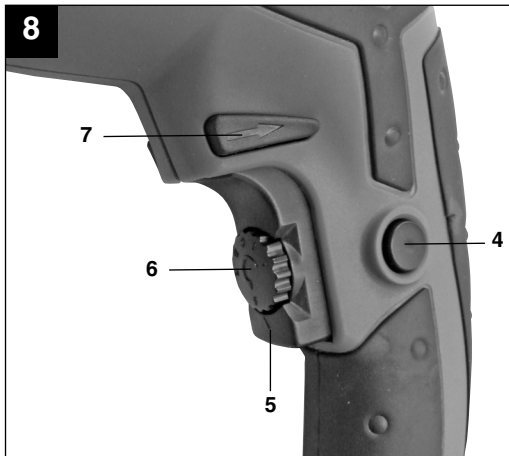
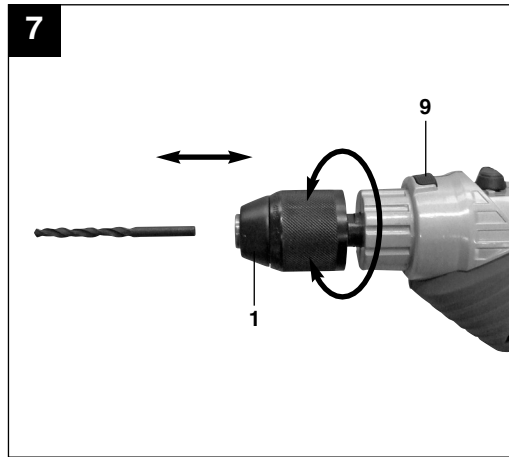
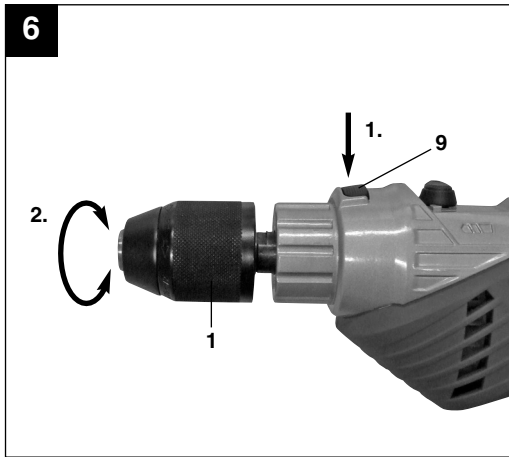
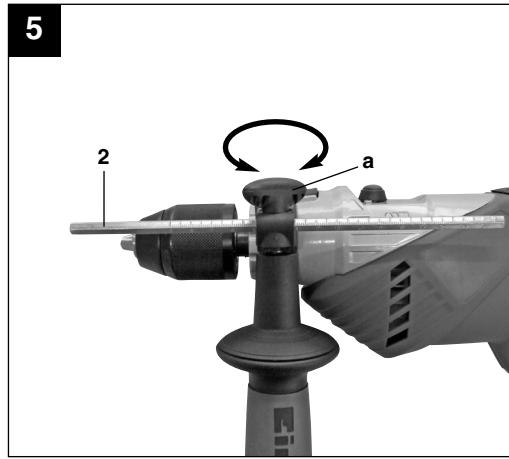
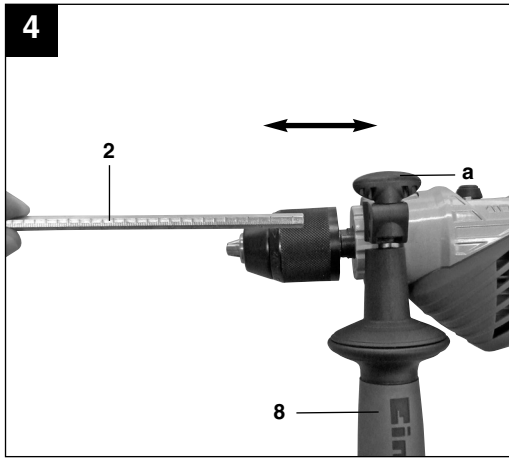


To avoid damaging the gearbox, the drill / hammer drill selector switch should only be moved when the machine is at a standstill



The spindle lock is allowed to be pressed only when the equipment is at a standstill.





GB



“Caution - Read the operating instructions to reduce the risk of inquiry”



Wear ear-muffs.

The impact of noise can cause damage to hearing.



Wear a breathing mask.

Dust which is injurious to health can be generated when working on wood and other materials.
Never use the device to work on any materials containing asbestos!



Wear safety goggles.

Sparks generated during working or splinters, chips and dust emitted by the device can cause loss of sight.

⚠ Important.

When using the equipment, a few safety precautions must be observed to avoid injuries and damage. Please read the complete operating instructions and safety information with due care. Keep this manual in a safe place so that the information is available at all times. If you give the equipment to any other person, hand over these operating instructions and the safety information as well. We cannot accept any liability for damage or accidents which arise due to a failure to follow these instructions and the safety information.

1. Safety information

Please refer to the booklet included in delivery for the safety information.

⚠ CAUTION**Read all the safety regulations and instructions.**

Any errors made in following the safety regulations and instructions may result in an electric shock, fire and/or serious injury.

Keep all safety regulations and instructions in a safe place for future use.

2. Layout (Fig. 1)

1. Drill chuck
2. Drill depth stop
3. Drill/hammer drill selector switch
4. Locking button
5. ON/OFF switch
6. Speed controller
7. Clockwise/Counter-clockwise switch
8. Additional handle
9. Spindle lock
10. Storage compartment for drill bits
11. LED light

3. Items supplied

Take all parts out of the packaging and check that they are complete.

- Hammer drill RT-ID 65
- Additional handle
- Depth stop
- Operating instructions
- Safety Information


4. Intended use

The drill is designed for drilling holes into wood, iron, non-ferrous metals and rock using the appropriate bits.

The equipment is to be used only for its prescribed purpose. Any other use is deemed to be a case of misuse. The user/operator and not the manufacturer will be liable for any damage or injuries of any kind caused as a result of this.

Please note that our equipment has not been designed for use in commercial, trade or industrial applications. Our warranty will be voided if the equipment is used in commercial, trade or industrial businesses or for equivalent purposes.

5. Technical data

Mains voltage:	230-240 V ~ 50 Hz
Power input:	650 W
Idling speed:	0-3,000 min ⁻¹
Drilling capacity:	Concrete 13 mm Steel 10 mm Wood 25 mm
Protection class:	II / 
Weight:	1.9 kg

Sound and vibration

Sound and vibration values were measured in accordance with EN 60745-1 and EN 60745-2-1.

L_{pA} sound pressure level	93.3 dB(A)
K_{pA} uncertainty	3 dB
L_{WA} sound power level	104.3 dB(A)
K_{WA} uncertainty	3 dB

Wear ear-muffs.

The impact of noise can cause damage to hearing.

Total vibration values (vector sum of three directions) determined in accordance with EN 60745.

Hammer drilling in concrete (handle)

Vibration emission value $a_{h,1D} = 16.306 \text{ m/s}^2$

K uncertainty = 1.5 m/s^2

GB**Hammer drilling in concrete (additional handle)**Vibration emission value $a_{h,D} = 12.345 \text{ m/s}^2$ K uncertainty = 1.5 m/s^2 **Drilling in metal (handle)**Vibration emission value $a_{h,D} = 5.848 \text{ m/s}^2$ K uncertainty = 1.5 m/s^2 **Drilling in metal (additional handle)**Vibration emission value $a_{h,D} = 1.818 \text{ m/s}^2$ K uncertainty = 1.5 m/s^2

The specified vibration value can be used to compare the equipment with another electric power tool.

⚠ Important.

The vibration value may change depending on how the electric equipment is used and may exceed the specified value in exceptional circumstances.

Warning! The electric power tool generates an electromagnetic field during operation. Under certain circumstances this field may actively or passively impede medical implants. To reduce the risk of serious or fatal injuries, we recommend persons with medical implants to consult their doctor and the manufacturer of the medical implant prior to using the equipment.

Residual risks

Even if you use this electric power tool in accordance to instructions, certain residual risks cannot be eliminated. The following hazards may arise in connection with the equipment's construction and layout:

1. Lung damage, if no suitable protective dust mask is applied.
2. Damage to hearing, if no suitable ear protection is applied.
3. Health damage caused by hand-arm vibrations, if the equipment is used over a longer period or is not properly guided and maintained.

The specified vibration value can be used to recognize a prospective impairment of the equipment's performance.

Reduce noise generation and vibration to a minimum!

- Vibration levels higher than 2.5 m/s^2 may cause damage to the joints in your hand and arm.
- Use only equipment that is in perfect condition.
- Maintain and clean the equipment regularly.
- Adopt your way of working to the equipment.
- Do not overload the equipment.

8

- Have the equipment checked if necessary.
- Switch off the equipment when not in use.
- Wear gloves.

6. Before starting the equipment

Before you connect the equipment to the mains supply make sure that the data on the rating plate are identical to the mains data.

Always pull the power plug before making adjustments to the equipment.

6.1. Fitting the additional handle (Fig. 2-3/Item 8)

The additional handle (8) enables you to achieve better stability whilst using the hammer drill. Do not use the equipment without the additional handle. The additional handle (8) is secured to the hammer drill by a clamp. Turning the handle clockwise tightens this clamp. Turning it anti-clockwise will release the clamp.

- The supplied additional handle (8) must first be fitted. To do this, the clamp must be opened by turning the handle until it is wide enough for the additional handle to be slid over the chuck (1) and on to the hammer drill.
- After you have mounted the additional handle (8), swivel it to the most comfortable working position for yourself.
- Now turn the handle in the opposite direction again until the additional handle is secure.
- The additional handle (8) is suitable for both left-handed and right-handed users.

6.2 Storage of the drill (Figure 1 / Item 10)

The additional handle (8) is equipped with a storage compartment for drill bits (10) where you can store drill bits of different sizes.

- Turn the storage compartment (10) anti-clockwise and out of the additional handle (8).
- Insert the required drill bits.
- Mount the storage compartment (10) back on the additional handle. When doing so, make sure that the pins on the inner edge of the storage compartment (10) fit onto the recesses in the additional handle (8).
- Secure the storage compartment by turning it clockwise.

6.3 Fitting and adjusting the depth stop (Fig. 4-5/Item 2)

- Undo the thumb screw (a) on the additional handle (8) and insert the depth stop (2) in the hole of the additional handle.
- Set the depth stop and retighten the thumb screw.
- Now drill the hole until the depth stop touches the workpiece.

6.4 Fitting the drill bit (Fig. 6-7)

- Always pull the power plug before making adjustments to the equipment.
- Release the depth stop as described in 6.3 and push it towards the additional handle. This provides free access to the chuck (1).
- This hammer drill is equipped with a spindle lock (9) and a quick-change drill chuck.
- Press the spindle lock (9) and turn the drill chuck (1) until it engages (see Fig. 6). Keeping the spindle lock (9) pressed, turn the firmly closed drill chuck (1) so that it opens (see Fig. 7). The drill chuck opening must be large enough to take the drill bit.
- Select a suitable drill bit. Push the drill bit as far as possible into the chuck opening.
- Keeping the spindle lock (9) pressed, turn the drill chuck (1) so that it closes. Check that the drill bit is secure in the chuck (1).
- Check at regular intervals that the drill bit or tool is secure (pull the mains plug).
- When the quick-change drill chuck (1) is open as far as it will go (maximum drill bit opening) and secure, press the spindle lock (9) and turn the drill chuck (1) clockwise (viewed from the front) until you hear a grating noise. Keeping the spindle lock (9) pressed, turn the drill chuck (1) approx. 5 mm in the opposite direction until you hear a clicking noise. Then turn the drill chuck (1) clockwise again to the desired position. This function will prevent damage to the drill chuck.

⚠ Important.

Do not press the spindle lock (9) while the drill is in use.

7. Operation

Hold the tool by the insulated handles when carrying out work during which the plug-in tool could strike concealed power cables or its own mains lead. Contact with a live cable will also make the metal parts of the tool live and will cause an electric shock.

7.1 ON/OFF switch (Fig. 8/Item 5)

- First fit a suitable drill bit into the tool (see 6.4).
- Connect the mains plug to a suitable socket.
- Position the drill in the position you wish to drill.

To switch on:

Press the ON/OFF switch (5)

Continuous operation:

Secure the ON/OFF switch (5) with the locking button (4).

To switch off:

Press the ON/OFF switch (5) briefly.

7.2 Adjusting the speed (Fig. 8/Item 5)

- You can infinitely vary the speed whilst using the tool.
- Select the speed by applying a greater or lesser pressure to the ON/OFF switch (5).
- Select the correct speed: The most suitable speed depends on the workpiece, the type of use and the drill bit used.
- Low pressure on the ON/OFF switch (5): Lower speed (suitable for: soft materials)
- Greater pressure on the ON/OFF switch (5): Higher speed (suitable for hard materials)

Tip: Start drilling holes at low speed. Then increase the speed in stages.

Benefits:

- The drill bit is easier to control when starting the hole and will not slide away.
- You avoid drilling messy holes (for example in tiles).

7.3 Preselecting the speed (Fig. 8/Item 6)

- The speed controller (6) enables you to define the maximum speed. The ON/OFF switch (5) can only be pressed to the defined maximum speed setting.
- Set the speed using the setting ring (6) on the ON/OFF switch (5).
- Do not attempt to make this setting whilst the drill is in use.

GB

7.4 Clockwise/Counter-clockwise switch (Fig. 8/Item 7)

- **Change switch position only when the drill is at a standstill!**
- Switch the direction of the hammer drill using the clockwise/counter-clockwise switch (7):

Direction	Switch position
Clockwise (forwards and drill)	Pushed in to the right
Counter-clockwise (reverse)	Pushed in to the left

7.5 Drill / hammer drill selector switch (Fig. 9/Item 3)

- **Change switch position only when the drill is at a standstill!**

Drill

Drill / hammer drill selector switch (3) in the drill position. (Position A)

Use: Wood, metal, plastic

Hammer drill

Drill / hammer drill selector switch (3) in the hammer drill position. (Position B)

Use: Concrete, rock, masonry

7.6 LED lamp (Fig. 1/Item 11)

The LED lamp (11) can be used to additionally illuminate the position you wish to drill. The LED lamp (11) will be lit as soon as you insert the power plug.

7.7 Tips for working with your hammer drill

7.7.1 Drilling in concrete and masonry

- Switch the Drill/Hammer drill selector switch (3) to position B (hammer drill).
- Always use carbide drill bits and a high speed setting for drilling into masonry and concrete.

7.7.2 Drilling in steel

- Switch the Drill/Hammer drill selector switch (3) to position A (drill).
- Always use HSS drill bits (HSS = high speed steel) and a low speed setting for drilling steel.
- We recommend that you lubricate the hole with a suitable cutting fluid to prevent unnecessary drill bit wear.

7.7.3 Starting holes

- If you wish to drill a deep hole in a hard material (such as steel), we recommend that you start the hole with a smaller drill bit.

7.7.4 Drilling in tiles

- To start the hole, switch the drill / hammer drill selector switch (3) to position A (drill).
- Switch the drill / hammer drill selector switch (3) to position B (hammer drill) as soon as the drill bit has passed through the tiles.

8. Replacing the power cable

If the power cable for this equipment is damaged, it must be replaced by the manufacturer or its after-sales service or similarly trained personnel to avoid danger.

9. Cleaning, maintenance and ordering of spare parts

Always pull out the mains power plug before starting any cleaning work.

9.1 Cleaning

- Keep all safety devices, air vents and the motor housing free of dirt and dust as far as possible. Wipe the equipment with a clean cloth or blow it down with compressed air at low pressure.
- We recommend that you clean the equipment immediately after you use it.
- Clean the equipment regularly with a damp cloth and some soft soap. Do not use cleaning agents or solvents; these may be aggressive to the plastic parts in the equipment. Ensure that no water can get into the interior of the equipment.

9.2 Carbon brushes

In case of excessive sparking, have the carbon brushes checked only by a qualified electrician. Important. The carbon brushes should not be replaced by anyone but a qualified electrician.

9.3 Servicing

There are no parts inside the equipment which require additional maintenance.

9.4 Ordering replacement parts:

Please provide the following information on all orders for spare parts:

- Model/type of the equipment
- Article number of the equipment
- ID number of the equipment
- Spare part number of the required spare part

For our latest prices and information please go to www.einhell.com.au

9.5 Storage

Store the equipment and accessories in a dark, dry and place above freezing temperature and not accessible to children. The ideal storage temperature is between 10 und 30 °C.

10. Disposal and recycling

The equipment is supplied in packaging to prevent it from being damaged in transit. The raw materials in this packaging can be reused or recycled. The equipment and its accessories are made of various types of material, such as metal and plastic. Defective components must be disposed of as special waste. Ask your dealer or your local council.



GB GUARANTEE CERTIFICATE

Dear Customer,

All of our products undergo strict quality checks to ensure that they reach you in perfect condition. In the unlikely event that your device develops a fault, please contact our service department at the address shown on this guarantee card. Of course, if you would prefer to call us then we are also happy to offer our assistance under the service number printed below. Please note the following terms under which guarantee claims can be made:

1. These guarantee terms cover additional guarantee rights and do not affect your statutory warranty rights. We do not charge you for this guarantee.
2. Our guarantee only covers problems caused by material or manufacturing defects, and it is restricted to the rectification of these defects or replacement of the device. Please note that our devices have not been designed for use in commercial, trade or industrial applications. Consequently, the guarantee is invalidated if the equipment is used in commercial, trade or industrial applications or for other equivalent activities. The following are also excluded from our guarantee: compensation for transport damage, damage caused by failure to comply with the installation/assembly instructions or damage caused by unprofessional installation, failure to comply with the operating instructions (e.g. connection to the wrong mains voltage or current type), misuse or inappropriate use (such as overloading of the device or use of non-approved tools or accessories), failure to comply with the maintenance and safety regulations, ingress of foreign bodies into the device (e.g. sand, stones or dust), effects of force or external influences (e.g. damage caused by the device being dropped) and normal wear resulting from proper operation of the device.

The guarantee is rendered null and void if any attempt is made to tamper with the device.

3. The guarantee is valid for a period of 2 years starting from the purchase date of the device. Guarantee claims should be submitted before the end of the guarantee period within two weeks of the defect being noticed. No guarantee claims will be accepted after the end of the guarantee period. The original guarantee period remains applicable to the device even if repairs are carried out or parts are replaced. In such cases, the work performed or parts fitted will not result in an extension of the guarantee period, and no new guarantee will become active for the work performed or parts fitted. This also applies when an on-site service is used.
4. In order to assert your guarantee claim, please send your defective device postage-free to the address shown below. Please enclose either the original or a copy of your sales receipt or another dated proof of purchase. Please keep your sales receipt in a safe place, as it is your proof of purchase. It would help us if you could describe the nature of the problem in as much detail as possible. If the defect is covered by our guarantee then your device will either be repaired immediately and returned to you, or we will send you a new device.

Of course, we are also happy offer a chargeable repair service for any defects which are not covered by the scope of this guarantee or for units which are no longer covered. To take advantage of this service, please send the device to our service address.

EINHELL AUSTRALIA PTY LTD
6/166 Wellington Street
Collingwood VIC 3066
Australia
Phone: 1300 922 271