



# Einhell

**BLUE**

## BT-MS 250 L

### Cross cut and mitre saw with laser

**Art.-No. 43.001.18**

The sliding cross cut and mitre table saw will give clean and precise cuts in any wood. Double mitre cuts are possible because of its tilting and swivelling motor-head. In order to increase the precision of the cut, the saw is fitted with a laser which projects a line on the work piece.

#### Features

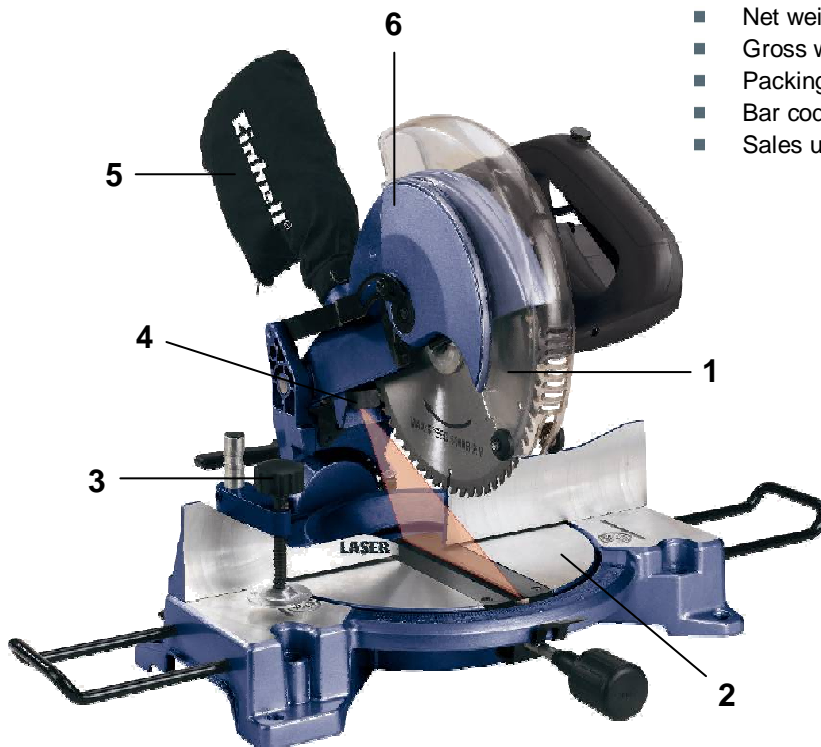
- Carbide tipped saw blade (1)
- Rotating table for precise angle cuts ranging from  $-45^{\circ}$  to  $+45^{\circ}$  (2)
- Position of lock in  $15^{\circ}$ ;  $22.5^{\circ}$ ;  $31.6^{\circ}$ ;  $45^{\circ}$ ;  $90^{\circ}$
- Clamping device for safely fixing of the work piece (3)
- Incl. Lasermodule (4)
- Incl. dust bag (5) and transport locking
- Motor head tiltable to the left continuously from  $0^{\circ}$  to  $+45^{\circ}$  (6)

#### Technical Data

- Mains: 230 V ~ 50 Hz
- Power: 1,600 W
- Idle speed  $n_0$ :  $4,800 \text{ min}^{-1}$
- Carbide tipped saw blade:  $\varnothing 250 \times \varnothing 30 \times 3.0 \text{ mm}$
- No. of teeth: 60
- Turning range:  $-45^{\circ}$  /  $0^{\circ}$  /  $+45^{\circ}$
- Mitre cut:  $0^{\circ}$  bis  $45^{\circ}$  to the left
- Cutting width  $90^{\circ} \times 90^{\circ}$ : 120 x 75 mm
- Cutting width  $45^{\circ} \times 90^{\circ}$ : 120 x 40 mm
- Cutting width  $90^{\circ} \times 45^{\circ}$ : 85 x 75 mm
- Cutting width  $45^{\circ} \times 45^{\circ}$ : 85 x 40 mm (Double mitre cut)
- Product weight: 11.8 kg

#### Logistic Data

- Net weight: 12.5 kg
- Gross weight: 14.5 kg
- Packing dimensions: 510 x 440 x 400 mm
- Bar code: 4006825 540116
- Sales unit: 1 pc



#### As special accessories available:

- |   |  |
|---|--|
| <b>Carbide tipped saw blade</b><br>$\varnothing 250 \times \varnothing 30 \times 3.2 \text{ mm}$ ; 48 T | Art.-No.: 43.111.11<br>Bar code: 4006825431230 |
| <b>Carbide tipped saw blade</b><br>$\varnothing 250 \times \varnothing 30 \times 3.2 \text{ mm}$ ; 60 T | Art.-No.: 43.111.13<br>Bar code: 4006825503166 |

- |   |  |
|---|--|
| <b>Carbide tipped saw blade</b><br>$\varnothing 250 \times \varnothing 30 \times 3.2 \text{ mm}$ ; 24 T | Art.-No.: 43.111.10<br>Bar code: 4006825431223 |
|---|--|