

**PARKSIDE**

**PTK 1700 A1**



GB

### TABLE SAW

Operation and Safety Notes  
Original operating instructions

HU

### FŰRÉSZASZTAL

Kezelési és biztonsági utalások  
Eredeti használati utasítás

SI

### NAMIZNA KROŽNA ŽAGA

Navodila za upravljanje in varnostna opozorila  
Originalna navodila za uporabo

CZ

### STOLOVÁ KOTOUČOVÁ PÍLA

Pokyny pro obsluhu a bezpečnostní pokyny  
Originální návod k obsluze

SK

### STOLOVÁ KOTUČOVÁ PÍLA

Pokyny pre obsluhu a bezpečnostné pokyny  
Originálny návod na obsluhu

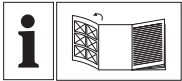
HR

### STOLNA KRUŽNA PÍLA

Upute za posluživanje i za Vašu sigurnost  
Originalne upute za uporabu

4





GB

Before reading, unfold the page containing the illustrations and familiarise yourself with all functions of the device.

---

HU

Olvasás előtt kattintson az ábrát tartalmazó oldalra és végezetül ismerje meg a készülék mindegyik funkcióját.

---

SI

Pred branjem stran s slikami odprite navzven in se nato seznanite z vsemi funkcijami naprave.

---

CZ

Před čtením si otevřete stranu s obrázky a potom se seznámte se všemi funkcemi přístroje.

---

SK

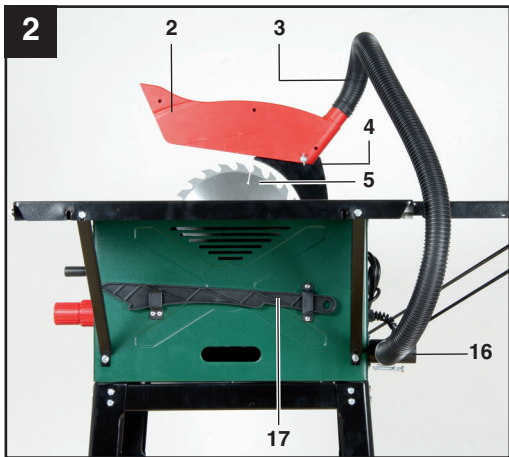
Pred čítaním si odklopte stranu s obrázkami a potom sa oboznámte so všetkými funkciami prístroja.

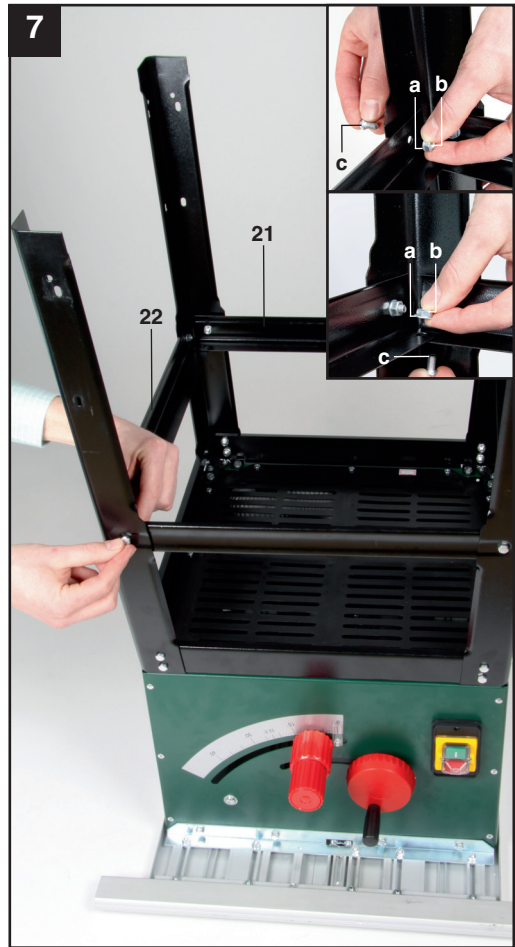
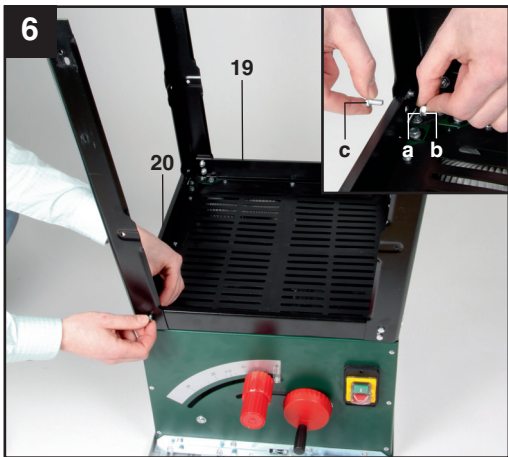
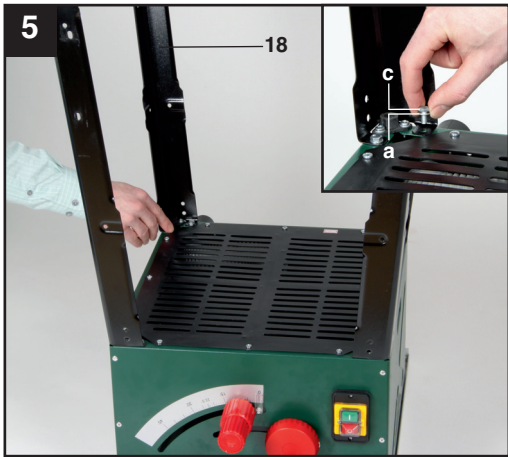
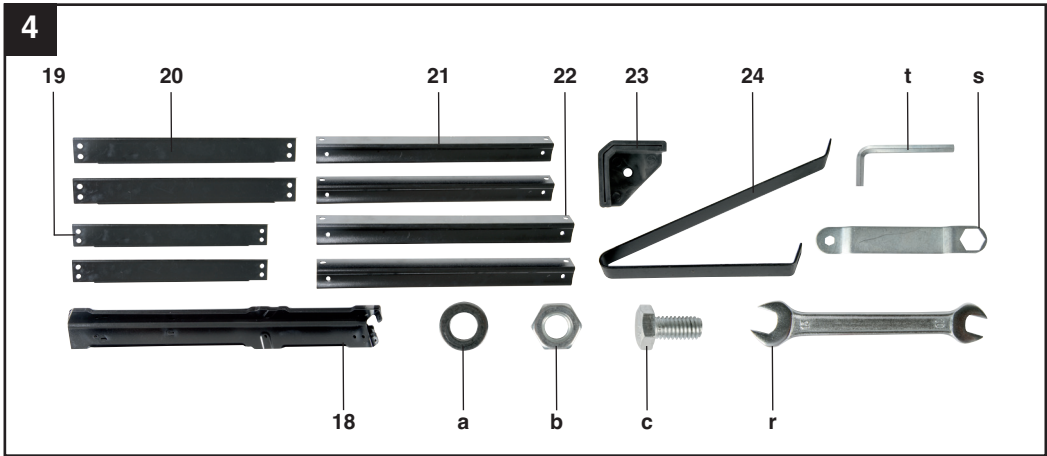
---

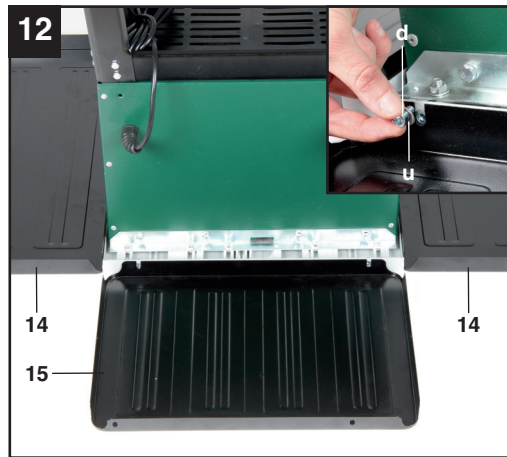
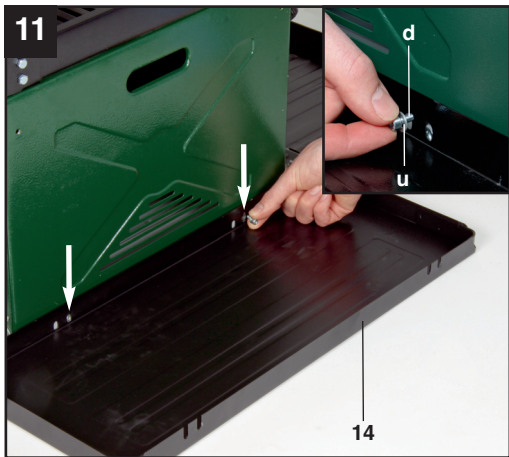
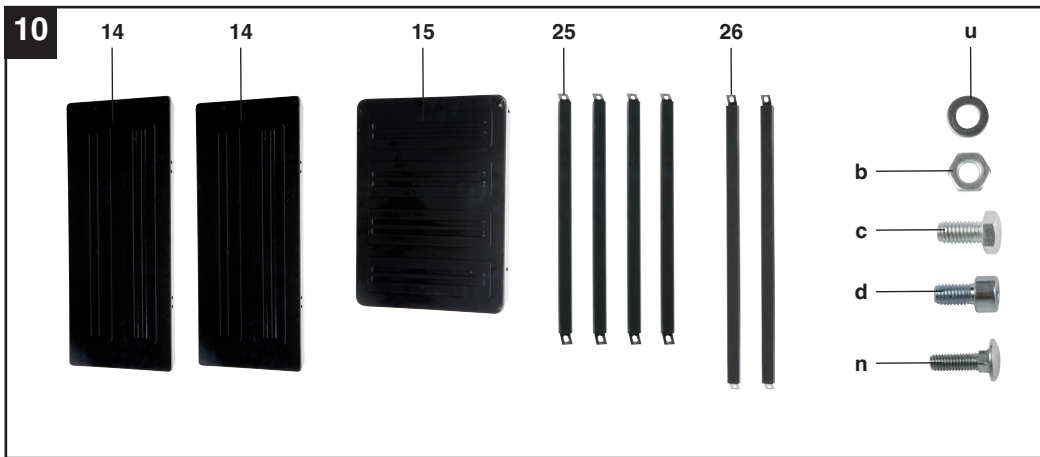
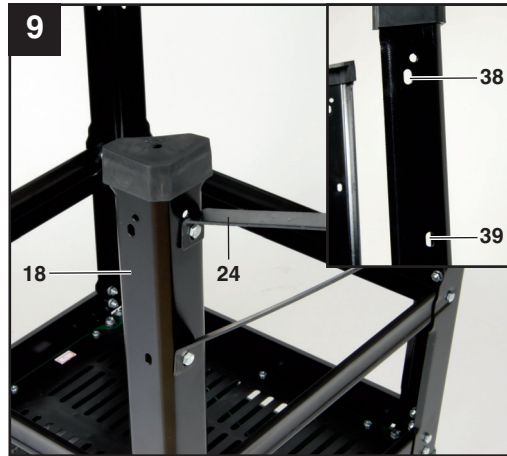
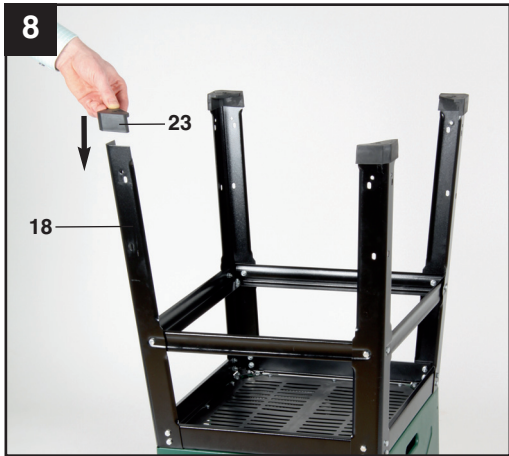
HR

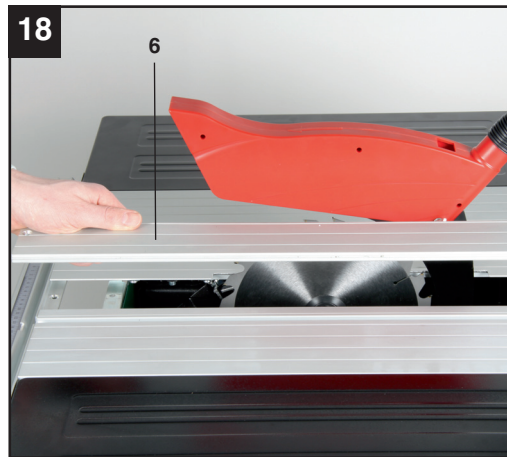
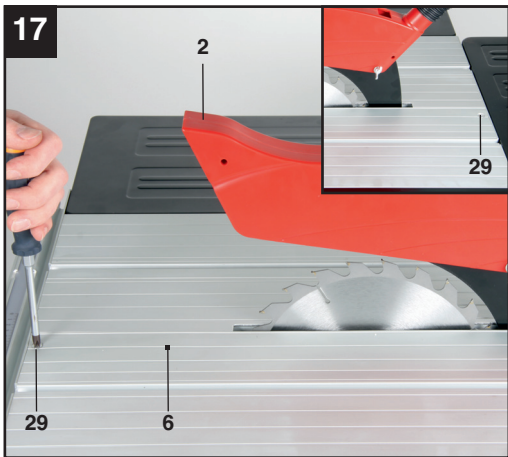
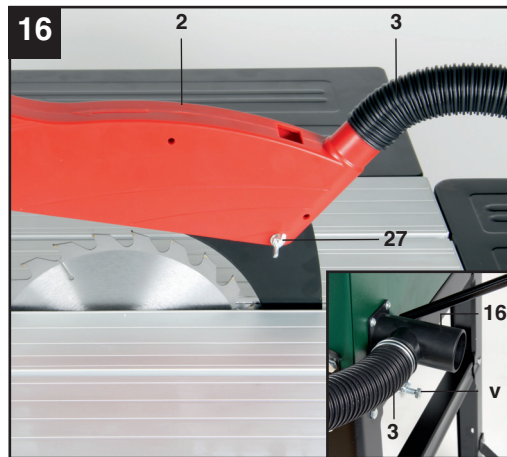
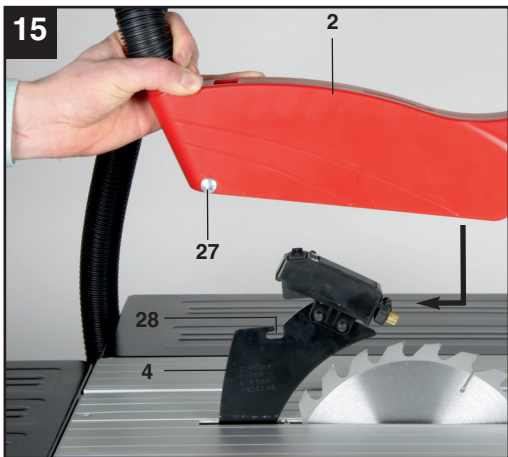
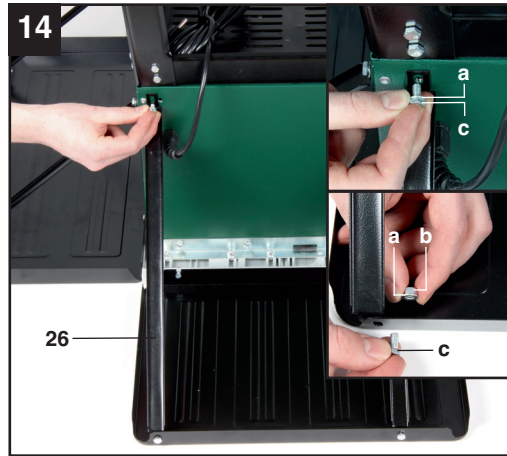
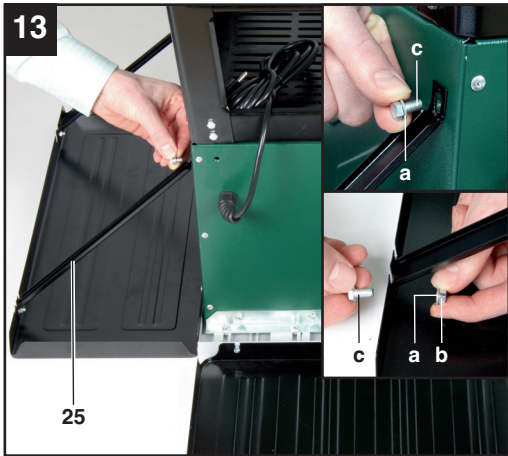
Prije nego što pročitate tekst, otvorite stranicu sa slikama i upoznajte se na osnovu toga sa svim funkcijama uređaja.

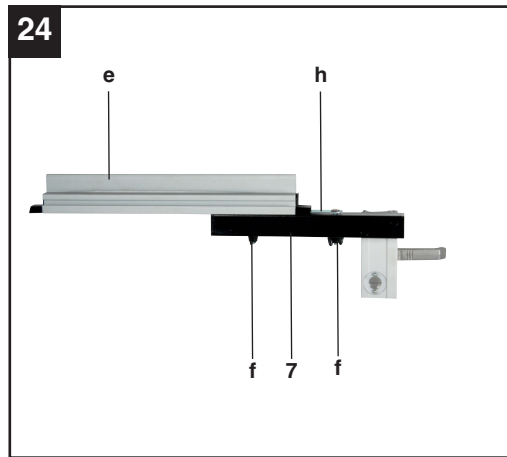
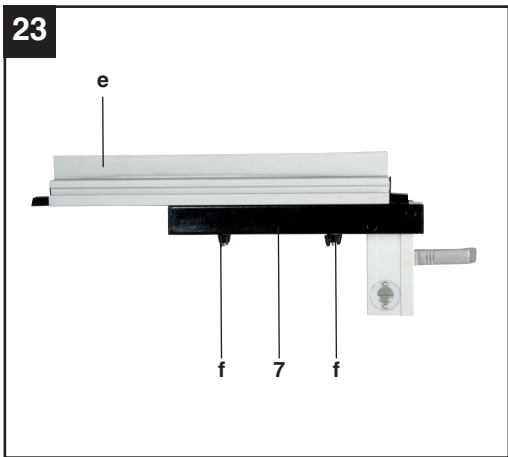
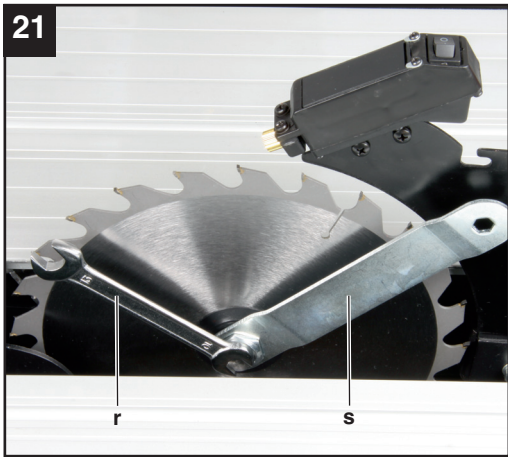
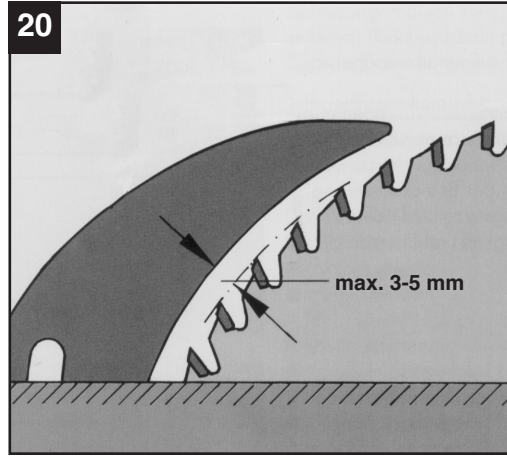
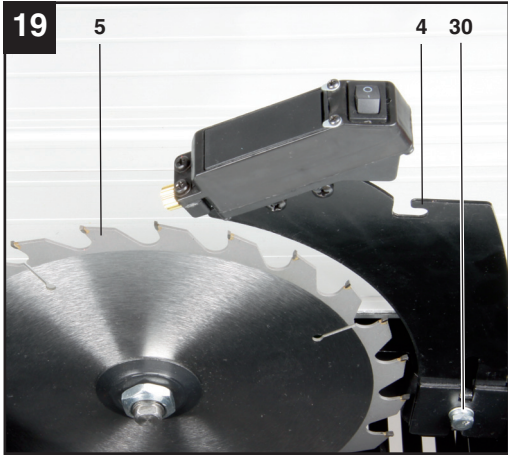
GB	Operation and Safety Notes	Page	12
HU	Kezelési és biztonsági utalások	Oldal	31
SI	Navodila za upravljanje in varnostna opozorila	Stran	51
CZ	Pokyny pro obsluhu a bezpečnostní pokyny	Strana	70
SK	Pokyny pre obsluhu a bezpečnostné pokyny	Strana	89
HR	Upute za posluživanje i za Vašu sigurnost	Stranica	109

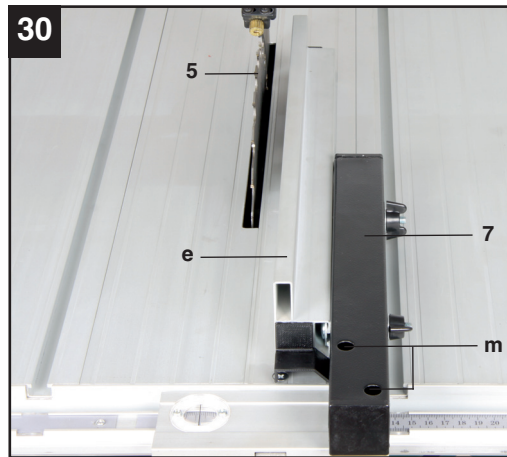
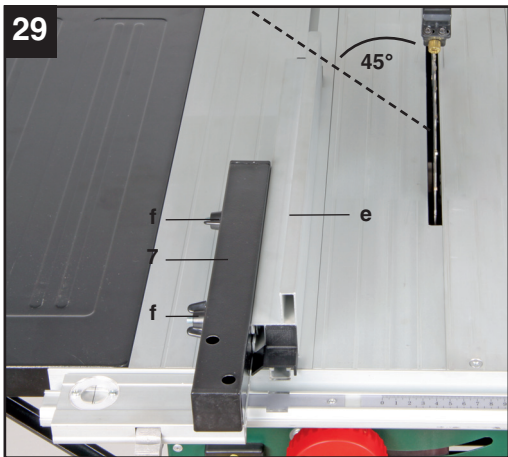
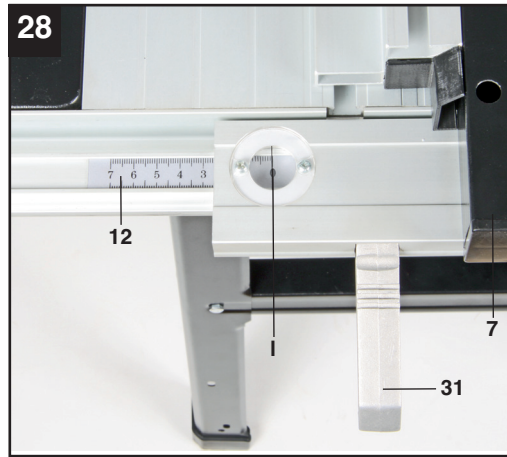
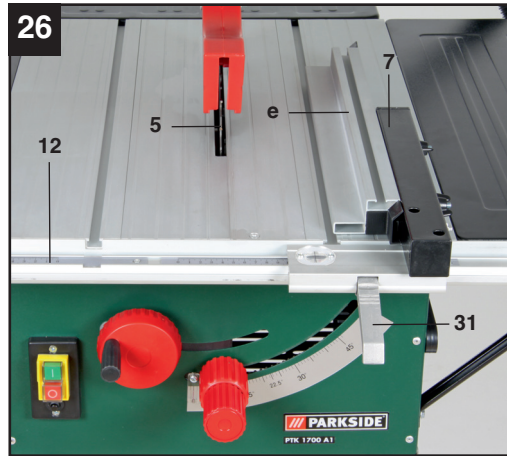
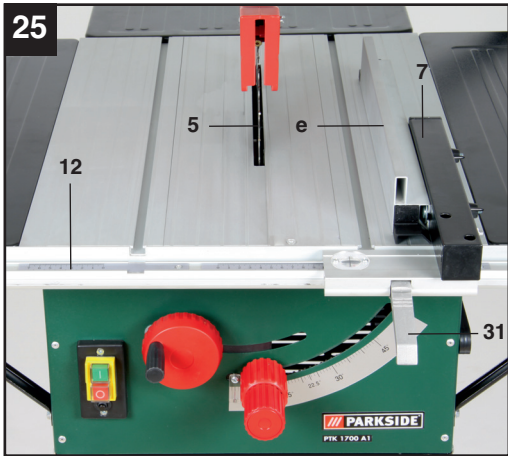




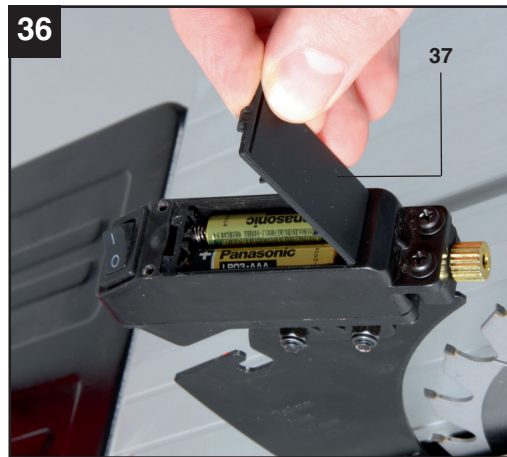
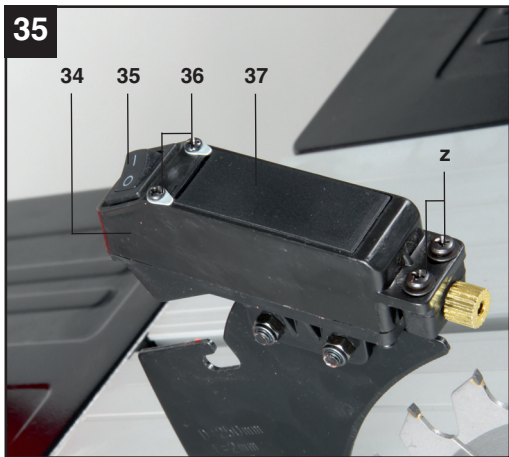
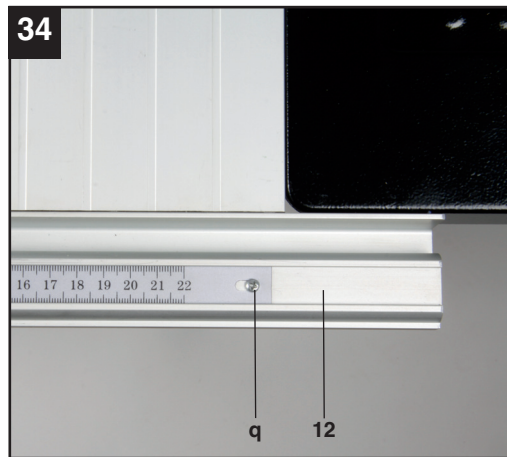
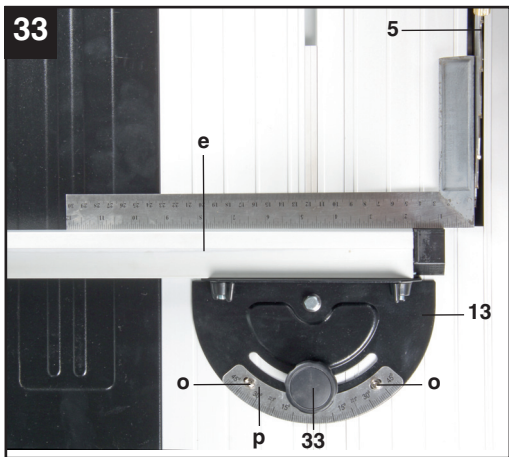
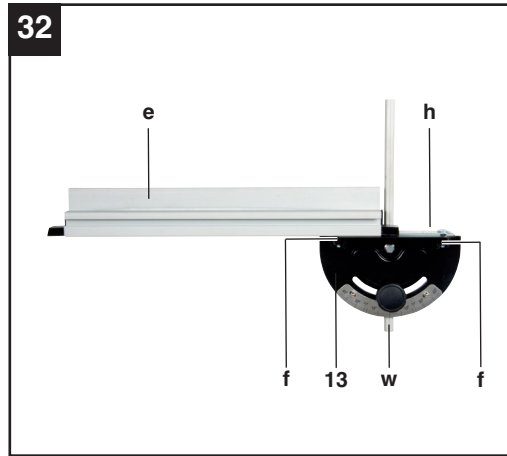
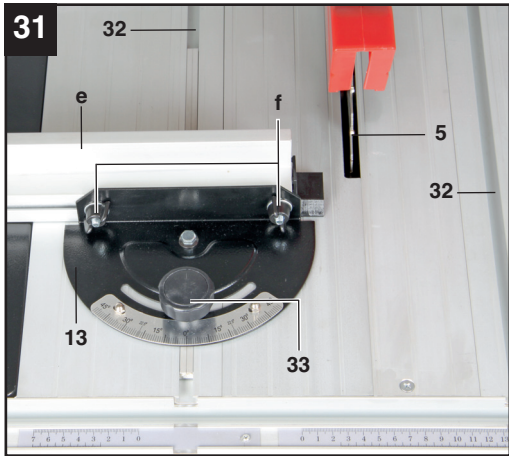


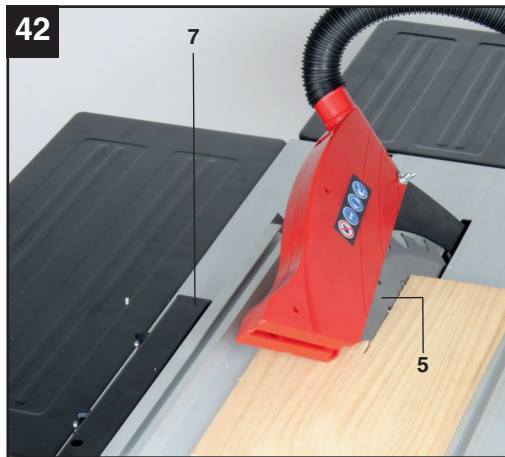
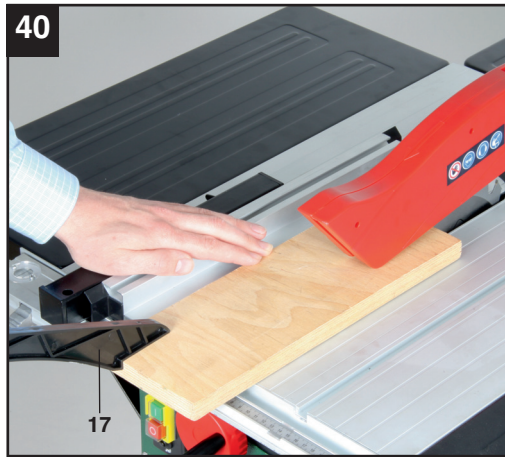
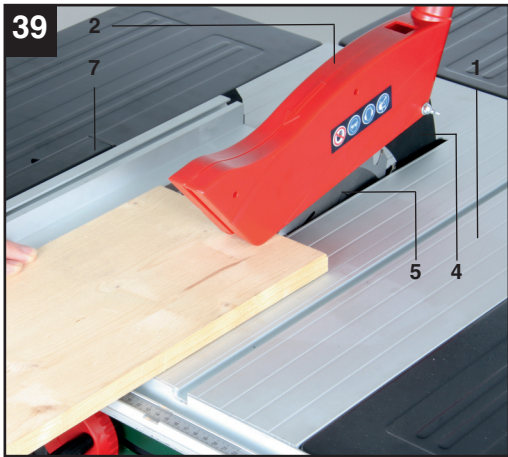
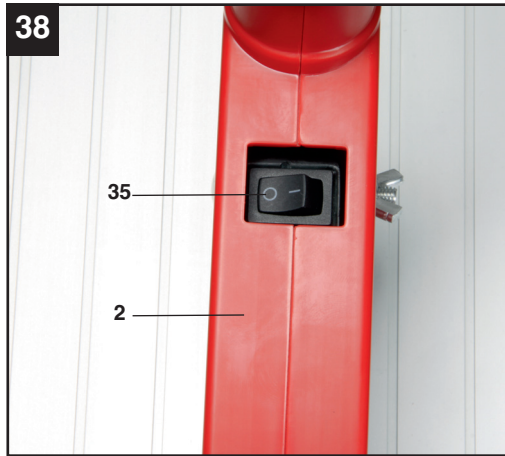


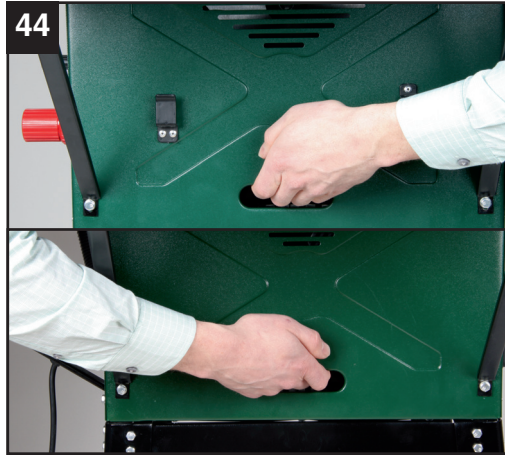












**GB**

**Table of contents:**

**Page**

1. Introduction .....	14
2. Safety information .....	14-19
3. Layout .....	19
4. Items supplied .....	19-20
5. Intended use .....	20
6. Technical data .....	20-21
7. Before starting the equipment .....	21
8. Assembly .....	22-23
9. Operation .....	23-25
10. Functions .....	26-27
11. Replacing the power cable .....	27
12. Cleaning, maintenance, storage, transport and ordering spare parts .....	27
13. Disposal and recycling .....	28
14. Declaration of conformity .....	29
15. Guarantee certificate .....	30

The reprinting or reproduction by any other means, in whole or in part, of documentation and papers accompanying products is permitted only with the express consent of the ISC GmbH.

Subject to technical changes

## Explanation of the symbols on the machine



“CAUTION - Read the operating instructions to reduce the risk of injury”



**Wear ear-muffs.**

The impact of noise can cause damage to hearing.



**Wear a breathing mask.**

Dust which is injurious to health can be generated when working on wood and other materials. Never use the tool to work on any materials containing asbestos!



**Wear safety goggles.**

Sparks generated during work or splinters, chips and dust emitted by the equipment can cause loss of sight.



**Wear gloves.**

You must wear gloves at all times when handling saw blades.



**Important. Risk of injury.**

Never reach into the running saw blade.

**GB**

## 1. Introduction

### **⚠ Important.**

When using the equipment, a few safety precautions must be observed to avoid injuries and damage. Please read the complete operating instructions and safety information with due care. Keep these operating instructions in a safe place so that the information is available at all times. If you give the equipment to any other person, hand over these operating instructions and the safety information as well. We cannot accept any liability for damage or accidents which arise due to a failure to follow these instructions and the safety information.

## 2. Safety information

### **⚠ CAUTION**

**Read all the safety information and instructions.** Any errors made in following the safety information and instructions may result in an electric shock, fire and/or serious injury. **Keep all safety information and instructions in a safe place for future use.**

### **2.1 General safety information on electric power tools**

**Important. The following safety precautions must be taken when using electric power tools in order to protect the user from electric shocks and the risk of injury and fire. Read and follow these instructions before using the equipment.**

1. **Keep your work area tidy**  
Untidy work areas can result in accidents.
2. **Check the ambient conditions**  
Do not expose electric tools to rain. Never use electric power tools in damp or wet locations. Provide good lighting. Do not use electric power tools near flammable liquids or gases.
3. **Protect yourself against electric shocks**  
Avoid bodily contact with earthed parts, e.g. pipes, radiators, cookers and refrigerators.

4. **Keep children away**  
Do not allow other persons to touch the tool or cable, keep them away from your work area.
5. **Keep your electric power tools in a safe place**  
Unused tools must be stored in a dry, locked room out of children's reach.
6. **Do not overload your tools**  
They will work better and more safely within their specified capacity range.
7. **Use the right tools**  
Do not use tools or attachments which are too weak for heavy duty work. Never use tools on jobs for which they are not intended; for example, do not use a hand-held circular saw to fell trees or lop off branches.
8. **Wear suitable work clothes**  
Never wear loose fittings clothes or jewelry. They may get caught in moving parts. Rubber gloves and non-slip shoes are recommended when working outdoors. Wear a hair net if you have long hair.
9. **Wear safety goggles**  
Use a dust mask when working on dusty jobs.
10. **Do not use the cable for purposes other than that for which it is designed.**  
Do not carry the equipment by the cable and do not use the cable to pull the plug out of the socket. Protect the cable from heat, oil and sharp edges.
11. **Secure the workpiece**  
Use clamps or a vise to secure the workpiece. This is safer than using your hand and also enables you to operate the machine with both hands.
12. **Do not overstretch**  
Avoid abnormal working postures. Make sure you stand squarely and keep your balance at all times.
13. **Take care of your tools**  
Keep your tools sharp and clean in order to work well and safely. Follow the maintenance information and the instructions for changing tools. Check the power plug and cable on a regular basis and have them replaced by an authorized specialist if they are damaged. Check the

extension cable regularly and replace it if damaged. Keep handles dry and free from oil and grease.

**14. Pull out the power plug**

When tools are not in use, before starting any maintenance work or when changing attachments such as saw blades, drill bits and all kinds of mounted tools.

**15. Always remove keys and wrenches after use**

Always check that keys, wrenches and other adjusting tools have been removed before you switch on the equipment.

**16. Avoid unintentional starting**

Never carry a tool with your finger on the switch button while the tool is connected to the power supply. Make sure that the switch is turned off when connecting the tool to the power supply.

**17. When using an extension cable outdoors**

Check that it is approved for outdoor duty and is marked accordingly.

**18. Be alert at all times**

Watch what you are doing. Use common sense when working. Never use the tool when you are distracted.

**19. Check your tool for damage**

Before using the tool again, check the safety devices or any slightly damaged parts to ensure that they are in good working order. Check that the moving parts are working correctly, that they do not jam, and that no parts are damaged. Make sure that all parts are fitted correctly to ensure that the equipment remains safe to use. Unless otherwise stated in the operating instructions, damaged guards and parts have to be repaired or replaced by a customer service workshop. Damaged switches have to be replaced by a customer service workshop. Never use an electric power tool with a switch that cannot be turned on and off.

**20. Important.**

For your own safety you must only use the accessories and additional units listed in the operating instructions or recommended or specified by the manufacturer. The use of mounted tools or accessories other than

those recommended in the operating instructions or catalog may place your personal safety at risk.

**21. Repairs may only be carried out by a qualified electrician**

This electric power tool complies with the pertinent safety information. Repair work must only be carried out by a trained electrician, otherwise the equipment may cause accidents.

**22. Connect up the dust extraction system**

If there are provisions for connecting up a dust extraction system, make sure that such a system is fitted and in use.

**2.2 Special safety information**

**2.2.1 Safety precautions**

- Blades that are deformed or cracked must not be used.
- Change a worn out table insert.
- Use only blades which are recommended by the manufacturer and comply with EN 847-1. When changing the blade, make sure that the cutting width is not smaller and the saw plate not bigger than the thickness of the splitter.
- Make sure that the chosen blade is suitable for the material that is to be cut.
- If necessary, wear suitable personal protection equipment. This could consist of:
  - Ear-muffs to reduce the risk of damaging your hearing
  - A breathing mask to reduce the risk of inhaling hazardous dust
  - Always wear gloves when handling saw blades and rough materials.
 Whenever practicable, saw blades must be carried in a container.
- Circular saws have to be connected to a dust collecting device when used to saw wood. The following can have an influence on dust development:
  - Worn, damaged or cracked saw blades
  - Recommended capacity of the vacuum extraction system: 20 m/s
  - Proper guidance of the workpiece
- Blades made of high-alloy high-speed steel (HSS) must not be used.
- Keep the push stick or handle for a push

**GB**

block at the machine at all times, even when you are not using them.

### 2.2.2 Safety information on the laser



**Important:**  
**Laser radiation**  
**Do not look into the beam**  
**Laser class 2**

**Achtung**  
**Laserstrahlung**  
**Nicht in den Strahl blicken!**

Laserspezifikation  
nach EN 60825-1  
Laser Klasse 2 RLM-08  
λ: 650 nm P: ≤ 1 mW

Protect yourself and your environment from accidents by taking the appropriate precautionary measures.

- Do not look directly into the laser beam with the naked eye.
- Never look directly into the laser path.
- Never direct the laser beam at reflecting surfaces or persons or animals. Even a low output laser beam can inflict injury on the eye.
- Caution: It is vital to follow the work procedures described in these instructions. Using the equipment in any other way may result in hazardous exposure to laser radiation or radioactive contamination.
- Never open the laser module.

### 2.2.3 Safety information on the batteries

Use of the batteries

- Ensure that the ON/OFF switch for the laser (35) is set to its "0" position before you fit the batteries.
- Inserting the batteries when the laser is switched on can cause accidents.
- If the equipment is not used correctly the batteries may leak. Avoid contact with the battery fluid. If you come into contact with battery fluid, clean the affected body part with running water. If you get battery fluid in your eyes, seek immediate medical assistance.

- Leaked battery fluid can cause skin irritation and acid burns.
- Never expose the batteries to excess heat such as sunshine, fire or similar.
- Never recharge batteries that are not suitable for recharging. There is a risk of explosion!
- Keep batteries away from children, do not short circuit batteries or disassemble.
- Seek a doctor's advice immediately if a battery is swallowed.
- If necessary, clean the contacts on the battery and equipment before inserting the batteries.
- Ensure that you insert the batteries the right way round.
- Remove flat batteries immediately from the equipment. There is an increased risk of leakage.
- Always change all batteries in one go.
- Insert only batteries of the same type, do not use different types of batteries or used and new batteries together.
- Make sure that the equipment is switched off after use.
- Remove the batteries if the equipment is not used over a longer period.

### 2.2.4 Maintenance and service

- The following conditions can have an influence on noise impact on the operator:
  - Type of saw blade (e.g. saw blades designed to reduce noise development)
  - Material of the workpiece
  - The force with which the workpiece is pushed against the saw blade
- Faults on the machine or its guards, safety devices and blade must be reported to the person in charge of safety as soon as they are discovered.

### 2.2.5 Safe operation

- Use a push stick or the handle with a push block to feed the workpiece safely past the saw blade.
- Use the splitter and set it correctly.
- Use the upper blade guard and set it to the correct position.
- Do not cut rebates or grooves without fitting a suitable guard, e.g. a tunnel-type guard,



over the saw table.

- Circular saws must not be used for slotting jobs (cutting grooves which end in the workpiece).
- Use only blades whose permissible maximum speed is not lower than the maximum spindle speed of the bench-type circular saw and of the material to be cut.
- Use only the transport devices to move the equipment. Never use the guards for handling or moving the equipment.
- While you are moving the machine it is best to cover the top part of the blade, e.g. with the guard.
- Secure long workpieces against falling off at the end of the cut (e.g. with a roller stand etc.)

### 2.2.6 Additional instructions

- Give these safety instructions to all persons who work on the machine.
- Do not use this saw to cut fire wood.
- Do not use this saw to cross-cut roundwood.
- Caution! Hands and fingers may be injured on the rotating saw blade.
- The machine is equipped with a safety switch to prevent it from being switched on again accidentally after a power failure.
- Before you use the machine for the first time, check that the voltage marked on the rating plate is the same as your supply voltage.
- If you need to use an extension cable, make sure its conductor cross-section is big enough for the saw's power consumption. Minimum cross-section: 1 mm<sup>2</sup>.
- If you use a cable reel, the complete cable must be pulled off the reel.
- Check the power cable. Never use a faulty or damaged power cable.
- Operators have to be at least 18 years of age. Trainees of at least 16 years of age are allowed to use the machine under supervision.
- Keep your workplace clean of wood scrap and any unnecessary objects.
- Persons working on the machine should not be distracted.
- Note the direction of rotation of the motor

and saw blade.

- After you have switched off the motor, never slow down the saw blade by applying pressure to its side.
- Only fit blades which are well sharpened and have no cracks or deformations.
- Never dismantle the machine's safety devices or render them inoperative.
- Faulty saw blades must be replaced immediately.
- Never use saw blades which do not comply with the data specified in these operating instructions.
- It is imperative to make sure that all devices which cover the saw blade are in good working order.
- **Important:** It is prohibited to use this saw to make plunge cuts.
- Damaged or faulty safety devices have to be replaced immediately.
- The splitter is an important safety device. Not only does it guide the workpiece, it also prevents the kerf closing behind the blade so that there is no kickback from the workpiece. Note the thickness of the splitter. The splitter should never be thinner than the saw blade body or thicker than the width of its kerf.
- The guard hood has to be lowered over the workpiece for each cut.
- Be sure to use a push stick when slitting narrow workpieces (smaller than 120 mm in width).
- Never cut workpieces which are too small to hold securely in your hand.
- It is imperative for the parallel stop to be clamped on the right-hand side of the blade whenever you cut narrow workpieces to size.
- Always stand to the side of the saw blade when working with the saw.
- Never load the machine so much that it cuts out.
- Always press the workpiece firmly against the saw table.
- Make sure that off-cuts do not catch on the saw blade crown. Risk of catapulting!
- Refit all guards and safety devices immediately after you have completed any repairs or maintenance work.

**GB**

- Be sure to observe the safety information and operating and maintenance instructions issued by the manufacturer, as well as the dimensions listed in the Technical Data.
- It is imperative to observe the accident prevention regulations in force in your area as well as all other generally recognized rules of safety.
- Note the information published by your professional associations.
- Connect up the dust extraction system on all jobs. The operator has to be informed about the conditions with an influence on dust development, e.g. the type of material being processed (source and collection of the dust), the significance of local separation arrangements, and the correct setting of hoods, baffle plates and guides.
- Operate the saw only with a suitable vacuum extraction system or a standard industrial vacuum cleaner.
- Never remove loose splinters, chips or jammed pieces of wood when the saw blade is running.
- To rectify faults or remove jammed pieces of wood, always switch off the machine first. Pull out the power plug!
- If the sawing gap is worn, replace the table insert. - Pull out the power plug!
- This electric tool complies with the pertinent safety regulations.
- Keep your work area clean and tidy. Untidy and unlit work areas can result in accidents.
- Keep the tool out of the rain and away from moisture. The ingress of water into an electric power tool increases the risk of an electric shock.
- Be careful, watch what you are doing and use an electric tool sensibly. Never use the tool if you are tired or under the influence of drugs, alcohol or medication. A moment of inattention when using the electric tool can result in serious injuries.
- Do not use an electric power tool if the switch is defective. An electric power tool that cannot be switched on or off is dangerous and must be repaired.
- Keep unused electric tools out of the reach of children. Do not allow people who are not familiar with the tool or who have not read these instructions to use the tool. Electric tools are dangerous if they are used by inexperienced people.
- Keep your cutting tools sharp and clean. Carefully maintained cutting tools with sharp cutting edges will jam less and are easier to control.
- If the connection lead on the electric tool is damaged, it must be replaced by a specially prepared connection lead available from our customer service organization.
- Have your tool repaired only by trained personnel using only genuine spare parts. This will ensure that your tool remains safe to use.
- The equipment has to be set up where it can stand securely.
- All covers and safety devices have to be properly fitted before the equipment is switched on.
- It must be possible for the blade to run freely.
- When working with wood that has been processed before, watch out for foreign bodies such as nails or screws etc.
- Before you actuate the On/Off switch, make sure that the saw blade is correctly fitted and that the equipment's moving parts run smoothly.
- Use clamps to stop the workpiece slipping. This is safer than using your hand.
- Follow the instructions for lubrication and changing tools.
- Keep handles dry, clean and free from oil and grease.
- Keep the push stick or handle for a push block at the machine at all times, even when you are not using them.
- Do not cut rebates or grooves without fitting a suitable guard, e.g. a tunnel-type guard, over the saw table.
- While you are moving the machine it is best to cover the top part of the blade, for example using a guard.
- Use only the transport handles punched into both sides of the housing for transporting the equipment.
- Never use the safety devices for handling or transporting purposes.

Please keep these safety instructions in a safe place

### 3. Layout

1. Saw bench
2. Saw blade guard
3. Extraction hose
4. Splitter
5. Saw blade
6. Table insert
7. Parallel stop
8. Hand wheel
9. Adjusting and locking grip
10. Base frame
11. ON/OFF switch
12. Chain bar
13. Cross stop
14. Bench width extension
15. Bench length extension
16. Extractor adapter
17. Push stick
18. Legs
19. Cross struts
20. Longitudinal struts
21. Center struts, short
22. Center struts, long
23. Rubber legs
24. Stability bar
25. Table support, short
26. Table support, long
27. Screw with wing nut
28. Oval hole in splitter
29. Countersunk head screws
30. Fixing screw
31. Eccentric lever
32. Groove
33. Knurled screw
34. Laser
35. Laser switch
36. Screws for battery compartment
37. Battery cover
38. /39. Fixing points

### 4. Items supplied

- Open the packaging and take out the equipment with care.
- Remove the packaging material and any packaging and/or transportation braces (if available).
- Check to see if all items are supplied.
- Inspect the equipment and accessories for transport damage.
- If possible, please keep the packaging until the end of the guarantee period.

#### IMPORTANT

**The equipment and packaging material are not toys. Do not let children play with plastic bags, foils or small parts. There is a danger of swallowing or suffocating!**

- Original operating instructions
- Saw table to preassembled, carbide-tipped saw blade with 24 teeth
- Carbide-tipped saw blade with 48 teeth
- Saw blade guard
- Extraction hose
- Splitter with laser
- Batteries 1.5 V AAA (2x)
- Parallel stop
- Stop rail
- Cross stop
- Table width extension (2x)
- Table length extension
- Push stick
- Legs (4x)
- Cross struts (2x)
- Longitudinal struts (2x)
- Center struts, short (2x)
- Center struts, long (2x)
- Rubber feet (4x)
- Stability bar (2x)
- Table support, short (4x)
- Table support, long (2x)

**GB****Installation material**

- a) Washer M6 (52x)
- b) Nut (38x)
- c) Hex screw (52x)
- d) Allen screw (6x)
- n) Lock bolt (2x)
- u) Washer M5 (6x)
- v) Retaining clip

**Tools**

- r) Open-ended wrench, size 10/13
- s) Ring wrench, size 10/24
- t) Allen key, size 4mm

**5. Intended use**

The bench-type circular saw is designed for the slitting and cross-cutting (only with the cross stop) of all types of timber commensurate with the machine's size. The equipment is **not** to be used for cutting any type of round wood.

The equipment may only be used for the tasks it is designed to handle. Any other use is deemed to be a case of misuse. The user/operator and not the manufacturer will be liable for any damage or injuries of any kind caused as a result of this.

Please note that our equipment has not been designed for use in commercial, trade or industrial applications. Our warranty will be voided if the equipment is used in commercial, trade or industrial businesses or for equivalent purposes.

The equipment is to be operated only with suitable saw blades (saw blades made of HM or CV) It is prohibited to use any type of HSS saw blade and cutting-off wheel. To use the equipment properly you must also observe the safety information, the assembly instructions and the operating instructions to be found in these operating instructions.

All persons who use and service the equipment have to be acquainted with these operating instructions and must be informed about the

equipment's potential hazards. It is also imperative to observe the accident prevention regulations in force in your area. The same applies for the general rules of health and safety at work. The manufacturer will not be liable for any changes made to the equipment nor for any damage resulting from such changes. Even when the equipment is used as prescribed it is still impossible to eliminate certain residual risk factors. The following hazards may arise in connection with the equipment's construction and design:

- Contact with the saw blade in the uncovered saw zone.
- Reaching into the running saw blade (cut injuries).
- Kick-back of workpieces and parts of workpieces.
- Saw blade fracturing.
- Catapulting of faulty carbide tips from the saw blade.
- Damage to hearing if ear-muffs are not used as necessary.
- Harmful emissions of wood dust when used in closed rooms.

**6. Technical data**

AC motor	230-240 V ~ 50Hz
Power P	S6 40% 1700 W
Idle speed $n_0$	6500 min <sup>-1</sup>
Carbide saw blade	Ø 250 x Ø 30
Number of teeth	24/48
Bench size	610 x 445 mm
Table width extension, left/right	608 x 250 mm
Table length extension, rear	435 x 320 mm
Cutting height max.	73 mm / 90° 63 mm / 45°
Infinite height adjustment	0 - 73 mm
Infinitely adjustable saw blade angle	0° - 45°
Dust extraction connector approx. diameter	36 mm
Weight with base frame, incl. all removable parts	approx. 28.5 kg

**Operating mode S6**

Rated operating period/rated idle period (4 min. on/6 min off)

To prevent the motor from overheating, only use the bench-type circular saw as follows: After an operating period of 4 minutes (S 6 = 40%) under the permitted load, you must interrupt your work for a period of 6 minutes in which the machine can run idle.

**Noise emission values**

The noise emission values were measured in accordance with EN 61029.

	Idle speed
$L_{pA}$ sound pressure level	101.0 dB(A)
$K_{pA}$ uncertainty	3 dB
$L_{WA}$ sound power level	111.0 dB(A)
$K_{WA}$ uncertainty	3 dB

**Wear ear-muffs.**

The impact of noise can cause damage to hearing.

The quoted values are emission values and not necessarily reliable workplace values. Although there is a correlation between emission and immission levels it is impossible to draw any certain conclusions as to the need for additional precautions. Factors with a potential influence on the actual immission level at the workplace include the duration of impact, the type of room, and other sources of noise etc., e.g. the number of machines and other neighboring operations. Reliable workplace values may also vary from country to country. With this information the user should at least be able to make a better assessment of the dangers and risks involved.

**Reduce noise generation and vibration to a minimum!**

- Use only equipment that is in perfect condition.
- Maintain and clean the equipment regularly.
- Adopt your way of working to the equipment.
- Do not overload the equipment.
- Have the equipment checked if necessary.
- Switch off the equipment when not in use.

**7. Before starting the equipment**

- Before you connect the equipment to the power supply make sure that the data on the rating plate are identical to the supply voltage.
- Only ever connect the equipment to a properly installed shock-proof socket which is protected by a 10A fuse as a minimum.
- Always pull out the power plug before making adjustments to the equipment.
- Unpack the bench-type circular saw and check it for damage which may have occurred in transit.
- Make sure the machine stands securely, i.e. bolt it to a workbench or solid base.
- All covers and safety devices have to be properly fitted before the equipment is switched on.
- It must be possible for the blade to run freely.
- When working with wood that has been processed before, watch out for foreign bodies such as nails or screws, etc.
- Before you actuate the On/Off switch, make sure that the saw blade is correctly fitted and that the equipment's moving parts run smoothly.

## 8. Assembly

**Important. Pull out the power plug before carrying out any maintenance, resetting or assembly work on the circular saw!**

### 8.1 Assembling the base frame (Fig. 4-9)

- Turn the saw upside down and place it on the floor.
- Use hex screws (c) and washers (a) to fasten the four legs (18) loosely to the saw (Figure 5).
- Now loosely screw the longitudinal struts (20), the cross struts (19) as well as the four center struts (21, 22) to the legs using the hex screws (c), washers (a) and nuts (b) (Fig. 6-7)
- Be sure to secure the hex screws (c) and nuts (b) only loosely.

**Important:** The longer struts have to be used on the sides.

- Now mount the four rubber feet (23) on the legs (Figure 8).
- Screw the stability bars (24) to the bore holes on the rear legs using 2 hex screws (c), washers (a) and nuts (b) on each side. (Figure 9)

**Important.**

**Both stability bars must be fastened at the mounting points 38 and 39 at the rear of the machine.**

- Finally, tighten all screws and nuts on the base frame.

### 8.2 Fitting the table width extension and length extension (Fig. 10-14)

- Loosely fasten the table width extension (14) and length extension (15) to the saw table (1) using the Allen screws (d) and the washers (u) (Fig. 10-12). Use the rear holes (facing the table length extension) to mount the table width extension.
- Loosely screw the table supports (25, 26) to the housing of the bench-type circular saw with the hex screws (c) and washers (u). In addition the table supports (25, 26) must be loosely screwed to the width or length extension table with hex screws (c), washers (a) and nuts (b). (Use the short

supports (25) for the width extension and the long supports (26) for the length extension) (Fig. 13-14).

- Turn the saw together with the base frame and place on the floor.
- Align the table width extension and length extension level with the saw table (1).
- Finally, tighten all screws.

### 8.3 Fitting / removing the saw blade guard (Fig. 2, 15-16)

- The batteries for the laser must be inserted prior to initial assembly (see 9.9).
- When assembling the equipment for the first time, you must first fit and adjust the splitter (4). To do so, proceed as described in Section 8.5.
- Place the saw blade guard (2) together with the screw (27) on top of the splitter (4) so that the screw is snug in the oval hole (28).
- Do not tighten the screw (27) too far – the blade guard must be able to move freely.
- Fit the extractor hose (3) to the extractor adapter (16) and the extractor socket on the saw blade guard (2) and secure it to the extractor adapter (16) with the retaining clip (v). Connect a suitable chip extraction system to the extractor adapter (16).
- To dismantle, proceed in reverse order.

**Important.**

**The saw blade guard (2) must always be lowered over the workpiece before you begin to cut.**

### 8.4 Changing the table insert (Fig. 17-18)

- To prevent increased likelihood of injury, the table insert (6) should be changed whenever it is worn or damaged.
- Take off the saw blade guard (2) (see 8.3).
- Remove the 2 countersunk head screws (29).
- Take out the worn table insert (6).
- Fit the replacement table insert by following the above in reverse.

### 8.5 Adjusting the splitter (Fig. 19-20)

- **Important. Pull out the power plug.**
- The setting of the saw blade (5) has to be checked each time after changing the saw blade.
- Set the blade (5) to max. cutting depth, move to 0° position and lock in place (see 9.2).
- Dismantle the saw blade guard (2) (see 8.3).
- Take out the table insert (6) (see 8.4).
- Slacken the fixing screw (30).
- Push up the splitter (4) until the gap between the saw table (1) and the upper edge of the splitter (4) equals approx. 10 cm.
- The distance between the blade (5) and the splitter (4) should be max. 5 mm. (Fig. 20).
- Retighten the fixing screw (30) and mount the table insert (6) (Fig. 8.4).
- Remount the blade guard (2) (see 8.3).

### 8.6 Fitting/changing the blade (Fig. 21)

- **Important. Pull out the power plug and wear protective gloves.**
- Dismantle the saw blade guard (2) (see 8.3).
- Remove the table insert (6) by undoing the two countersunk head screws (see 8.4).
- Undo the nut with a wrench (size 24) on the nut itself and a second fork wrench (size 10) on the motor shaft to apply counter-pressure.
- **Important.** Turn the nut in the direction of rotation of the saw blade.
- Take off the outer flange and pull the old saw blade off the inner flange by dropping the blade at an angle.
- Clean the saw blade flange thoroughly with a wire brush before fitting the new saw blade.
- Mount and fasten the new saw blade in reverse order.
- **Important. Note the running direction. The cutting angle of the teeth must point in running direction, i.e. forwards (see the arrow on the blade guard).**
- Refit and set the table insert (6) and the saw blade guard (2) (see 8.3, 8.4)
- Check to make sure that all safety devices

are properly mounted and in good working condition before you begin working with the saw again.

## 9. Operation

### 9.1. ON/OFF switch (Fig. 22/Item 11)

- To turn the saw on, press the green button "I". Wait for the blade to reach its maximum speed of rotation before commencing with the cut.
- To turn the equipment off again, press the red button "0".

### 9.2. Cutting depth (Fig. 22).

- Turn the hand wheel (8) to set the blade (5) to the required cutting depth.

Turn anti-clockwise:  
larger cutting depth

Turn clockwise:  
smaller cutting depth

### 9.3. Setting the angle (Fig. 22)

- Undo the fixing handle (9).
- Turn the handle to set the desired angle on the scale.
- Lock the fixing handle again in the required angle position.

### 9.4 Parallel stop

#### 9.4.1. Stop height (Fig. 23-26)

- The stop rail (e) for the parallel stop (7) has two different guide faces (high and low).
- For thick material you must use the stop rail (e) as shown in Fig. 25, for thin material (with a workpiece thickness of less than 25 mm) you must use the stop rail as shown in Fig. 26.

**9.4.2 Turning the stop rail (Fig. 23-26)**

- First undo the wing nuts (f) to turn the stop rail (e).
- The stop rail (e) can now be pulled off the guide rail (h) and can be pushed back over it with the appropriate guide.
- Retighten the wing nuts (f).

**9.4.3 Cutting width (Fig. 26-28)**

- The parallel stop (7) has to be used when making longitudinal cuts in wooden workpieces.
- The parallel stop should be mounted on the right-hand side of the saw blade (5).
- Place the parallel stop (12) from above (Fig. 26).
- There are 2 scales (j/k) on the guide rail for the parallel stop (12) which show the distance between the stop rail (e) and the saw blade (5) (Fig. 27).
- Depending on this, choose the appropriate scale to suit whether the stop rail (e) is turned for thick or thin material:

High stop rail (thick material):

Scale j

Low stop rail (thin material):

Scale k

- Set the parallel stop (7) for the required dimension using the inspection window (l) and secure it using the eccentric lever for the parallel stop (31).

**9.4.4 Adjusting the stop length (Fig. 29)**

- The stop rail (e) can be moved in longitudinal direction in order to prevent the workpiece from becoming jammed.
- Rule of thumb: The rear end of the stop comes up against an imaginary line that begins roughly at the center of the blade and runs at an angle of 45° to the rear.
- Set the required cutting width.
- Slacken the wing nuts (f) and push the stop rail (e) forward until it touches the imaginary 45° line.
- Tighten the wing nuts (f) again.

**9.5 Adjusting the parallel stop (Fig. 30)**

- Set the saw blade (5) to maximum cutting depth (also see Point 9.2).
- Set the parallel stop (7) so that the stop rail (e) touches the saw blade (setting for thick material, also see Point 9.4).
- If the parallel stop (7) is not in line with the saw blade (5), undo the screws (m) on the parallel stop until the parallel stop (7) can be adjusted in line with the saw blade (5) (Figure 30).
- Re-tighten the screws (m).

**9.6 Cross stop (Figure 31-32)**

- Slide the cross stop (13) into the groove (32) of the table.
- Slacken the knurled screw (33).
- Turn the cross stop (13) until the required angle is set. The notch (w) indicates the set angle.
- Retighten the knurled screw (33).
- When cutting large parts of workpieces you can use the stop rail (e) from the parallel stop (7) to extend the length of the cross stop (13) (Fig. 32)
- To extend the cross stop (13) with the stop rail (e), the stop rail (e), the chain bar (h) and the wing nuts (f) must be removed together with the washers of the parallel stop (7). Now mount the stop rail as shown in Figure 32, using the lock bolts (n).

**Important.**

- Do not push the stop rail (e) too far toward the blade.
- The distance between the stop rail (e) and the blade (5) should be approx. 2 cm.

**9.7 Adjusting the scale on the cross stop (Figure 33)**

- Place a 90° stop angle against the saw blade (5).
- Connect the cross stop (13) to the stop rail (e) of the parallel stop (7) (also see Point 9.4).
- Undo the knurled screw (33) of the cross stop (13).
- Position the cross stop (13) so that the stop rail is in a 90° angle to the saw blade (5). Now precisely align the cross stop to the



saw blade using the 90° stop angle and retighten the knurled screw (33).

- Check if the cross stop is aligned at exactly 90°. If this is not the case, continue as follows:
  - Undo the two screws (o) holding the scale (p) to the cross stop (13) until the scale can be set to the correct position.
  - Retighten the screws (o).

### 9.8 Adjusting the scale on the saw table (Fig. 28; 34)

- Ensure that the parallel stop (7) is in line with the saw blade (5) (also see Point 9.5).
- Set the parallel stop so that it touches the saw blade (5) (setting for thick material, also see Point 9.4).
- Undo the screw (q) holding the scale (j; k) to the chain bar (12) by approximately 2 turns.
- Set the scale (j/k) so that the line in the inspection window (l) of the parallel stop (7) aligns with the zero line of the scale (j).
- Retighten the screw (q).

### 9.9 Using the laser (Fig. 35-38)

- The laser (34) enables you to make precision cuts with your circular saw.
- The laser light is generated by a laser diode powered by two batteries. The laser light is enlarged to form a line and is emitted through the laser emission aperture. You can then use the line as an optical marker for the sawing line for precision cuts. Follow the laser safety instructions.
- Inserting the batteries:
  - Remove the saw blade guard (2) (see 8.3). The laser is mounted on the splitter (4) and now easily accessible.
  - Set the Laser ON/OFF switch (35) to position 0 (laser off).
  - Remove the battery compartment cover (37) by undoing the screws (36) and turning the mounting plates attached to the screw so that they no longer block the battery compartment cover (37). Now flip up the battery compartment cover (37).
  - Insert the batteries, ensuring that you fit them the right way round (see Figure 37).
  - Replace the battery compartment cover (37) and secure it with the screws (36).

- Mount the safety hood (2) for the blade again.
- Switching the laser on: Set the Laser ON/OFF switch (35) to I. When the saw blade guard (2) is mounted you can easily access the Laser ON/Off switch (35) through an opening provided in the saw blade guard. A red laser beam will now be projected from the laser emission aperture. If you guide the laser beam along the sawing line mark as you saw, you will produce clean, precise cuts.
- Switching the laser off: Set the Laser ON/OFF switch (35) to 0. The laser beam will go out. Always switch off the laser when not in use in order to save the batteries.
- The laser beam can be blocked by deposits of dust and chips. You should therefore remove these particles from the laser emission aperture each time after you use the laser (equipment off).
- Notes on batteries: If you do not intend to use the laser for a lengthy period of time, remove the batteries from the battery compartment. Any leakage of battery fluid might damage the tool.
- Do not place the batteries on heaters or expose them to direct sunshine for long periods; temperatures in excess of 50°C may damage the tool.

### 9.10 Adjusting the laser (Fig. 35)

If the laser (34) ceases to indicate the correct cutting line, you can readjust the laser. To do so, open the screws (z) and set the laser by moving sideways so that the laser beam strikes the teeth of the saw blade (5).

## 10. Functions

### Important!!

- After every new adjustment we recommend you to make a trial cut in order to check the new settings.
- After switching on the saw, wait for the blade to reach its maximum speed of rotation before commencing with the cut.
- Take extra care when starting the cut!
- Never use the equipment without the suction function.
- Regularly check and clean the suction channels.
- Suitability of the saw blades:
  - 24 teeth:  
soft materials, large chip depth, coarse cut profile
  - 48 teeth:  
hard materials, small chip depth, fine cut profile

### 10.1 Making longitudinal cuts (Figure 39)

Longitudinal cutting (also known as slitting) is when you use the saw to cut along the grain of the wood.

Press one edge of the workpiece against the parallel stop (7) while the flat side lies on the saw table (1). The blade guard (2) must always be lowered over the workpiece.

When you make a longitudinal cut, never adopt a working position that is in line with the cutting direction.

- Set the parallel stop (7) in accordance with the workpiece height and the desired width. (See 9.4.)
- Switch on the saw.
- Place your hands (with fingers closed) flat on the workpiece and push the workpiece along the parallel stop (7) and into the blade (5).
- Guide at the side with your left or right hand (depending on the position of the parallel stop) only as far as the front edge of the saw blade guard (2).
- Always push the workpiece through to the end of the splitter (4).
- The offcut piece remains on the saw table (1) until the blade (5) is back in its position

of rest.

- Secure long workpieces against falling off at the end of the cut (e.g. with a roller stand etc.) (e.g. roller table etc.)

### 10.1.1 Cutting narrow workpieces (Fig. 40)

**Be sure** to use a push stick (17) when making longitudinal cuts in workpieces smaller than 120 mm in width. A push block is supplied with the saw! **Replace a worn or damaged push stick immediately.**

### 10.1.2 Cutting very narrow workpieces (Fig. 41)

- Be sure to use a push block when making longitudinal cuts in very narrow workpieces with a width of 30 mm and less.
- The low guide face of the parallel stop is best used in this case.
- **There is no push block supplied with the saw! (Available from your specialist dealer) Replace the push block without delay when it becomes worn.**

### 10.1.3 Making angular cuts (Fig. 42)

Angular cuts must always be made using the parallel stop (7).

- Set the blade (5) to the desired angle. (See 9.3.)
- Set the parallel stop (7) in accordance with the workpiece width and height (see 9.3)
- Carry out the cut in accordance with the workpiece width (see 10.1.1 and 10.1.2).

### 10.2 Making cross cuts (Fig. 31,43)

- Slide the cross stop (13) into one of the grooves (32) in the table and adjust to the required angle. (see 9.6). If you also want to tilt the blade (5), use the groove (32) which prevents your hand and the cross stop from making contact with the blade guard.
- If necessary, use the stop rail (e).
- Press the workpiece firmly against the cross stop (13).
- Switch on the saw.
- Push the cross stop (13) and the workpiece toward the blade in order to make the cut.
- **Important:**  
**Always hold the guided part of the workpiece. Never hold the part which is**

**to be cut off.**

- Push the cross stop (13) forward until the workpiece is cut all the way through.
- Switch off the saw again. Do not remove the offcut until the blade has stopped rotating.

**10.3 Cutting particle boards**

To prevent the cutting edges from cracking when working with particle boards, you should not set the saw blade (5) more than 5mm greater than the thickness of the workpiece (also see Point 9.2).

**11. Replacing the power cable**

If the power cable for this equipment is damaged, it must be replaced by the manufacturer or its after-sales service or similarly trained personnel to avoid danger.

**12. Cleaning, maintenance, storage, transport and ordering of spare parts**

Always pull out the power plug before starting any cleaning work.

**12.1 Cleaning**

- Keep all safety devices, air vents and the motor housing free of dirt and dust as far as possible. Wipe the equipment with a clean cloth or blow it down with compressed air at low pressure.
- We recommend that you clean the equipment immediately after you use it.
- Clean the equipment regularly with a damp cloth and some soft soap. Do not use cleaning agents or solvents; these may be aggressive to the plastic parts in the equipment. Ensure that no water can get into the interior of the equipment.

**12.2 Carbon brushes**

In case of excessive sparking, have the carbon brushes checked only by a qualified electrician. Important. The carbon brushes should not be replaced by anyone but a qualified electrician.

**12.3 Servicing**

There are no parts inside the equipment which require additional maintenance.

**12.4 Storage**

Store the equipment and accessories out of children's reach in a dark and dry place at above freezing temperature. The ideal storage temperature is between 5 and 30 °C. Store the electric tool in its original packaging.

**12.5 Transport**

- Use only the transport handles (Figure 44) punched into both sides of the housing for transporting the equipment.
- Secure the equipment against slipping; tie it down securely.
- Never use the safety devices for handling or transporting purposes.

**12.6 Ordering replacement parts**

Please provide the following information on all orders for spare parts:

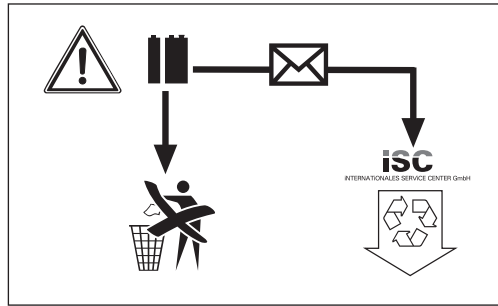
- Model/type of the equipment
- Article number of the equipment
- ID number of the equipment

For our latest prices and information please go to [www.isc-gmbh.info](http://www.isc-gmbh.info)

**GB**

### 13. Disposal and recycling

The equipment is supplied in packaging to prevent it from being damaged in transit. The raw materials in this packaging can be reused or recycled. The equipment and its accessories are made of various types of material, such as metal and plastic. Defective components must be disposed of as special waste. Ask your dealer or your local council.



For EU countries only

Never place any electric power tools in your household refuse.

To comply with European Directive 2002/96/EC concerning old electric and electronic equipment and its implementation in national laws, old electric power tools have to be separated from other waste and disposed of in an environment-friendly fashion, e.g. by taking to a recycling depot.

Recycling alternative to the return request:

As an alternative to returning the equipment to the manufacturer, the owner of the electrical equipment must make sure that the equipment is properly disposed of if he no longer wants to keep the equipment. The old equipment can be returned to a suitable collection point that will dispose of the equipment in accordance with the national recycling and waste disposal regulations. This does not apply to any accessories or aids without electrical components supplied with the old equipment .

Batteries contain materials that are potentially harmful to the environment. Never place batteries in your household refuse, in fire or in water. Batteries should be collected, recycled or disposed of by environment-friendly means. Send your old batteries to iSC GmbH, Eschenstrasse 6 in D-94405 Landau. You can then be sure that the equipment will be correctly disposed of by the manufacturer.

## 14. Declaration of conformity

Einhell Germany AG · Wiesenweg 22 · D-94405 Landau/Isar

**Konformitätserklärung**

- (C)** erklärt folgende Konformität gemäß EU-Richtlinie und Normen für Artikel
- (EN)** explains the following conformity according to EU directives and norms for the following product
- (F)** déclare la conformité suivante selon la directive CE et les normes concernant l'article
- (I)** dichiara la seguente conformità secondo la direttiva UE e le norme per l'articolo
- (NL)** verklaart de volgende overeenstemming conform EU richtlijn en normen voor het product
- (E)** declara la siguiente conformidad a tenor de la directiva y normas de la UE para el artículo
- (P)** declara a seguinte conformidade, de acordo com a directiva CE e normas para o artigo
- (DK)** atterer følgende overensstemmelse i medfør af EU-direktiv samt standarder for artikel
- (S)** förklarar följande överensstämmelse enl. EU-direktiv och standarder för artikeln
- (RU)** вакуuttaa, että tuote täyttää EU-direktiivin ja standardien vaatimukset
- (EL)** töendab toote vastavust EL direktiivile ja standarditele
- (CZ)** vydává následující prohlášení o shodě podle směrnice EU a norem pro výrobek
- (SK)** potvrduje sledečo skladnosť s smernico EU in standardi za izdelek
- (HU)** vydáva nasledujúce prehlásenie o zhode podľa smernice EÚ a noriem pre výrobok
- (H)** a cikkekhez az EU-irányvonal és Normák szerint a következő konformitást jelenti ki
- (PL)** deklaruje zgodność wymienionego poniżej artykułu z następującymi normami na podstawie dyrektywy WE.
- (BG)** декларира съответното съответствие съгласно Директива на ЕС и норми за артикул
- (LV)** paskaidro šādu atbilstību ES direktīvai un standartiem
- (LT)** apibūdina šį atitikimą EU reikalavimams ir prekės normoms
- (RO)** declară următoarea conformitate conform directivei UE și normelor pentru articolul
- (GR)** δηλώνει την ακόλουθη συμμόρφωση σύμφωνα με την Οδηγία ΕΚ και τα πρότυπα για το προϊόν
- (HR)** potvrđuje sljedeću usklađenost prema smjernicama EU i normama za artikl
- (SI)** potrđuje sljedeću usklađenost prema smernicama EU i normama za artikl
- (ES)** potvrdjuje sledeću usklađenost prema smernicama EZ i normama za artikl
- (BG)** следующим удостоверяется, что следующие продукты соответствуют директивам и нормам ЕС
- (UK)** проголошує про зазначену нижче відповідність виробу директивам та стандартам ЄС на виріб
- (MK)** ja izjavuva slednata soobraznost согласно EУ-директивата и нормите за артикли
- (TR)** Ürünü ile ilgili AB direktifleri ve normları gereğince aşağıda açıklanan uygunluğu belirtir
- (N)** erklærer følgende samsvar i henhold til EU-direktivet og standarder for artikkel
- (IS)** Lýsir uppfyllingu EU-reglna og annarra staða vöru

**Tischkreissäge PTK 1700 A1 (Parkside)**

- 2009/105/EC
- 2006/95/EC
- 2006/28/EC
- 2005/32/EC
- 2004/108/EC
- 2004/22/EC
- 1999/5/EC
- 97/23/EC
- 90/396/EC
- 89/686/EC\_96/58/EC
- 2006/42/EC
- Annex IV  
Notified Body: TÜV Rheinland LGA Products GmbH  
Tillystraße 2, 90431 Nürnberg, Germany  
Notified Body No.: 0197  
Reg. No.: BM 50179485 0001
- 2000/14/EC\_2005/88/EC
- Annex V
- Annex VI  
Noise: measured  $L_{WA}$  = dB (A); guaranteed  $L_{WA}$  = dB (A)  
P = KW; L/Ø = cm  
Notified Body:
- 2004/26/EC  
Emission No.:

Standard references: EN 61029-1; EN 61029-2-1; EN 55014-1;  
EN 55014-2; EN 61000-3-2; EN 61000-3-3

Landau/Isar, den 29.01.2010

Weichselgartner/General Manager

Wentao/Product-Management

First CE: 10  
Art.-No.: 43.406.87 I.-No.: 11010  
Subject to change without notice

Archive-File/Record: 4340690-39-4177400-08  
Documents registrar: Siegfried Roider  
Wiesenweg 22, D-94405 Landau/Isar

# 15. GUARANTEE CERTIFICATE

## Dear Customer,

All of our products undergo strict quality checks to ensure that they reach you in perfect condition. In the unlikely event that your device develops a fault, please contact our service department at the address shown on this guarantee card. Of course, if you would prefer to call us then we are also happy to offer our assistance under the service number printed below. Please note the following terms under which guarantee claims can be made:

1. These guarantee terms cover additional guarantee rights and do not affect your statutory warranty rights. We do not charge you for this guarantee.
2. Our guarantee only covers problems caused by material or manufacturing defects, and it is restricted to the rectification of these defects or replacement of the device. Please note that our devices have not been designed for use in commercial, trade or industrial applications. Consequently, the guarantee is invalidated if the equipment is used in commercial, trade or industrial applications or for other equivalent activities. The following are also excluded from our guarantee: compensation for transport damage, damage caused by failure to comply with the installation/assembly instructions or damage caused by unprofessional installation, failure to comply with the operating instructions (e.g. connection to the wrong mains voltage or current type), misuse or inappropriate use (such as overloading of the device or use of non-approved tools or accessories), failure to comply with the maintenance and safety regulations, ingress of foreign bodies into the device (e.g. sand, stones or dust), effects of force or external influences (e.g. damage caused by the device being dropped) and normal wear resulting from proper operation of the device. This applies in particular to rechargeable batteries for which we nevertheless issue a guarantee period of 12 months.  
  
The guarantee is rendered null and void if any attempt is made to tamper with the device.
3. The guarantee is valid for a period of 3 years starting from the purchase date of the device. Guarantee claims should be submitted before the end of the guarantee period within two weeks of the defect being noticed. No guarantee claims will be accepted after the end of the guarantee period. The original guarantee period remains applicable to the device even if repairs are carried out or parts are replaced. In such cases, the work performed or parts fitted will not result in an extension of the guarantee period, and no new guarantee will become active for the work performed or parts fitted. This also applies when an on-site service is used.
4. In order to assert your guarantee claim, please send your defective device postage-free to the address shown below. Please enclose either the original or a copy of your sales receipt or another dated proof of purchase. Please keep your sales receipt in a safe place, as it is your proof of purchase. It would help us if you could describe the nature of the problem in as much detail as possible. If the defect is covered by our guarantee then your device will either be repaired immediately and returned to you, or we will send you a new device.

Of course, we are also happy offer a chargeable repair service for any defects which are not covered by the scope of this guarantee or for units which are no longer covered. To take advantage of this service, please send the device to our service address.

<b>Tartalomjegyzék</b>	<b>Oldal</b>
1. Bevezetés .....	33
2. Biztonsági utasítások .....	33-38
3. A készülék leírása .....	38
4. A szállítás terjedelme .....	39
5. Rendeltetésszerű használat .....	39-40
6. Technikai adatok .....	40-41
7. Beüzemeltetés előtt .....	41
8. Összeszerelés .....	41-43
9. Kezelés .....	43-45
10. Üzem .....	45-47
11. A hálózati csatlakozóvezetéknek a kicserélése .....	47
12. Tisztítás, karbantartás, tárolás, szállítás és pótalkatrészmegrendelés .....	47
13. Megsemmisítés és újrahasznosítás .....	48
14. Konformkijelentés .....	49
15. Garanciaokmány .....	50

A termékek dokumentációjának és a  
kísérőpapírjainak az utánnyomtatása vagy  
egyébb sokszorosítása, kivonatossan is csak az  
ISC GmbH kihangsúlyozott beleegyezésével  
engedélyezett.

Technikai változtatások jogát fenntartva



## A készüléken található szimbólumok magyarázata



„FIGYELMEZTETÉS – Sérülés veszélyének a lecsökkentéséhez olvassa el a használati utasítást”



**Hordjon egy zajcsökkentő fülvédőt.**  
A zaj behatása hallásvesztéshez vezethet.



**Viseljen egy porvédőálarcot.**  
Fa és más anyagok megdolgozásánál az egészségre káros por keletkezhet. Azbeszt tartalmú anyagokat nem szabad megmunkálni!



**Hordjon egy védőszemüveget.**  
Munka közben keletkező szikrák vagy a készülékből kipattanó szillánk, forgács vagy a keletkező por vakulást okozhat.



**Hordjon védőkesztyűket.**  
A fűrészlapokkal való bánásnál mindig védőkesztyűket kell hordani.



**Figyelem! Sérülés veszélye!**  
Ne nyúljon a futó fűrészlapba!



## 1. Bevezetés

### ⚠ Figyelem!

A készülékek használatánál, a sérülések és a károk megakadályozásának az érdekében be kell tartani egy pár biztonsági intézkedést. Ezért ezt a használati utasítást/biztonsági utasításokat gondosan átolvasni. Őrizze ezeket jól meg, azért hogy mindenkor rendelkezésére álljanak az információk. Ha más személyeknek adná át a készüléket, akkor kérjük kézbesítse ki vele együtt ezt a használati utasítást/biztonsági utasításokat is. Nem vállalunk felelőséget olyan balesetekért vagy károkért, amelyek ennek az utasításnak és a biztonsági utasításoknak a figyelmen kívül hagyásából keletkeznek.

## 2. Biztonsági utasítások

### ⚠ FIGYELMEZTETÉS

**Olvasson minden biztonsági utalást és utasítást el.** A biztonsági utalások és utasítások betartásán belüli mulasztások következménye áramcsapás, tűz és/vagy nehéz sérülések lehetnek.

**Őrizze meg a biztonsági utalásokat és utasításokat a jövőre nézve.**

### 2.1 Általános biztonsági utasítások az elektromos készülékekhez

**Figyelem! Elektromos szerszámok használatánál, áram ütés, sérülések és tűzveszély elleni védelem szempontjából, figyelembe kell venni a következő biztonsági intézkedéseket. Olvassa és vegye figyelembe ezeket az utasításokat, mielőtt használná a készüléket.**

- 1. Tartsa a munkakörét rendben**  
Rendetlenség a munkakörön belül balesetet idéz elő.
- 2. Vegye a környezeti befolyásokat figyelembe**  
Ne tegye ki az elektromos szerszámokat esőnek Ne használjon elektromos szerszámokat nedves vagy vizes

környezetben. Gondoskodjon jó megvilágításról. Ne használjon elektromos szerszámokat gyúllékony folyadékok vagy gázok közelében.

- 3. Óvja magát az áramütéstől**  
Kerülje el a földelt részekkel, mint például csövekkel, fűtőtestekkel, tűzhelyekkel, hűtőszekrényekkel való testi érintkezést.
- 4. Tartsa a gyerekeket távol!**  
Ne engedje meg más személynek, hogy megérintse a szerszámot vagy a kábelt, tartsa őket a munkakörétől távol
- 5. Tárolja biztonságosan a szerszámot**  
Nem használt szerszámokat egy száraz, lezárt teremben és a gyerekek számára hozzáférhetetlenül kell tárolni.
- 6. Ne terhelje túl a szerszámait**  
Jobban és biztonságosabban dolgozik a megadott teljesítményi körben.
- 7. Használja a kellő szerszámot**  
Ne használjon túl gyenge szerszámokat vagy kiegészítő egységeket nehéz munkákra.  
Ne használja a szerszámokat olyan célokra és munkákra, melyekre ezek nincsenek előrelátva; mint például ne használjon kézi körfűrészeket fák kivágására vagy ágak levágására.
- 8. Viseljen megfelelő munkaruhát**  
Ne viseljen bő ruhát vagy ékszert. Ezeket elkaphatják a mozgó részek. A szabadban történő munkálatoknál gumikesztyű és tapadós lábbeli ajánlatos. Hosszú hajnál viseljen hajhálót.
- 9. Hordjon védőszemüveget**  
Porképző munkálatoknál használjon pormaszkot.
- 10. Ne használja fel olyan célokra a kábelt, amelyekre ez nincs előlátva**  
Ne hordja a szerszámot a kábelnél fogva, és ne használja fel a csatlakozó dugó kihúzására a fali dugaszoló aljzatból. Óvja a kábelt hőségtől, olajtól és éles szélektől.
- 11. Biztosítsa a munkadarabot**  
Használjon szorítókészülékeket vagy satut a munkadarab megfogására. Ezáltal ez biztonságosabban van rögzítve mint kézzel és lehetővé teszi a gép mindkét kézzeli kezelését.

- 12. Ne terjessze túl ki az állóhelyét**  
Kerülje el az abnormális testtartást. Gondoskodjon biztos állásról, és tartsa mindenkor az egyensúlyt.
- 13. Ápolja gondosan a szerszámait**  
Tartsa a szerszámait élesen és tisztán, hogy jól és biztosan tudjon dolgozni. Kövesse a karbantartási előírásokat és az utasításokat a szerszámcsereére. Ellenőrizze le rendszeresen a csatlakozási vezetéket és a kábeljárt, és sérülés esetén cseréltesse ki ezt egy elismert szakember által. Ellenőrizze le rendszeresen a hosszabbító kábelt és sérülés esetén cserélje ki. Tartsa a fogantyúkat szárazon valamint olaj és zsír mentesen.
- 14. Húzza ki a hálózati csatlakozót**  
A szerszám nem használatánál, karbantartás előtt és szerszámcsereénél, mint például fűrészlap, fúró és mindenfajta gépszerszámoknál.
- 15. Ne hagyjon benne semmilyen szerszámkulcsot**  
Bekapcsolás előtt ellenőrizze le, hogy a kulcsok és a beállító szerszámok el vannak távolítva.
- 16. Kerülje el az akaratlan indulást**  
Ne hordjon semmilyen hálózatba bedugott szerszámot ujjal a kapcsolón. Bizonyosodjon meg róla, hogy a kapcsoló a hálózatba való bedugáskor ki van kapcsolva.
- 17. Hosszabbító kábel a szabadban**  
A szabadban csakis arra engedélyezett és megfelelően megjelölt hosszabbítókábel használjon.
- 18. Legyen mindig figyelmes**  
Figyeljen a munkájára. Járjon okosan el. Ne használja a szerszámot, ha dekoncentrált.
- 19. Ellenőrizze a készülékét sérülésekre**  
A szerszám további használata előtt a biztonsági berendezéseket vagy enyhén sérült részeket meg kell gondosan vizsgálni azok hibátlan és meghatározásuknak megfelelő működésükre. Vizsgálja meg, hogy a mozgó részek működése rendben van, és hogy nem szorulnak vagy nincsenek károsulva részeik. Ahhoz, hogy a készülék biztonsága biztosítva legyen minden résznek helyesen fel kell szerelve

lennie.

Amennyiben a használati utasításban nincs más megadva, a károsult biztonsági berendezéseket és részeket szakszerűen egy elismert szakműhely által kell megjavíttatni vagy kicseréltetni. A károsult csatlakozókat egy vevőszolgálati műhely által muszáj kicseréltetni. Ne használjon olyan elektromos szerszámokat ahol a csatlakozót nem lehet be- és kikapcsolni.

## 20. Figyelem!

Saját biztonságáért, csak a használati utasításban megadott vagy a szerszám előállítójától ajánlott vagy megadott kellékeket és pótkészülékeket használjon. A használati utasításban vagy a katalógusban ajánlott bevetési szerszámoktól vagy kellékektől eltérőek használata egy személysérülési veszélyt jelenthet az Ön számára.

## 21. Javítások csak egy villamossági szakember által

Ez az elektromos szerszám megfelel a rávonatkozó biztonsági határozatoknak. Javításokat csak egy villamossági szakember végezheti el, különben balesetek érhetik a használót.

## 22. Kapcsolja rá a porelszívó berendezést

Ha van rajta csatlakozás a porelszívó-berendezésekhez, akkor bizonyosodjon meg arról, hogy ezek rá vannak kapcsolva és üzemeltetve is vannak.

## 2.2 Speciális biztonsági utasítások

### 2.2.1 Biztonsági intézkedések

- Nem szabad deformált vagy repedezett fűrészszalagokat használni.
- Elhasználódott asztalbetétet kicserélni.
- Csak a gyártó által ajánlott, az EN 847-1-nek megfelelő fűrészlapokat használni. A fűrészlap kicserélésénél ügyelni kell arra, hogy a vágásszélesség ne legyen kisebb és a fűrészlap törzslapvastagsága ne legyen nagyobb a hasítóék vastagságától.
- Ügyelni arra, hogy a vágandó munkaanyaghoz megfelelő fűrészlap legyen kiválasztva.
- Ha szükséges, akkor egy megfelelő személyi védőfelszerelést hordani. Ez a

következőket tartalmazhatná:

- Zajcsökkentő fülvédőnek a viselése a nagyothallás rizikójának a lecsökkentése érdekében;
  - Légzőszervezetvédő viselése a veszélyes por belélegzési rizikójának a lecsökkentése érdekében.
  - Fűrészlapokkal és durva munkadarabokkal történő bánásnál kesztyűket hordani.
- A fűrészlapokat amikor csak lehetséges egy tárolóban kell hordani.
- Fa fűrészelésénél rá kell kapcsolni a körfűrészeket egy porfelfogóberendezésre. A következő tényezők befolyásolhatják a por kibocsátást:
    - elkopott, sérült vagy repedezett fűrészlapok
    - az elszívószerelvény ajánlott elszívóteljesítménye: 20 m/s
    - A munkadarabot szabályszerűen kell vezetni
  - Erősen ötvöztött gyorsacélból (HSS-Acél) készült fűrészlapokat nem szabad használni.
  - A toló botot vagy a toló bothoz levő fogantyút nemhasználat esetén mindig a gépen kellene megőrizni.

### 2.2.2 Biztonsági utasítások a lézerhez



**Figyelem:**  
**Lézersugárzás**  
**Ne nézzen a sugárba**  
**Lézerosztály 2**



Megfelelő óvintézkedések használata által védje magát és a környezetét a balesetveszélyektől.

- Ne tekintsen védetlen szemekkel közvetlenül a lézersugárba.

- Ne tekintsen sohasem közvetlenül a sugárzásba.
- Soha sem irányítsa a lézersugarat visszaverő felületekre és személyekre vagy állatokra. Egy kis telyesítményű lézersugár is károkat tud okozni a szemén.
- Vigyázat - ha az itt megadott eljárási módtól eltér, akkor ez egy veszélyes sugárzási expozícióhoz vagy sugárterheléshez vezethet.
- A lézermodult sohasem kinyitni.

### 2.2.3 Biztonsági utasítások az elemekhez

Az elemek használata

- Mielőtt betenné az elemeket biztosítsa, hogy a lézer kapcsolója (35) a „0” pozícióban van.
- Bekapcsolt lézernél történő elembetétel balesetekhez vezethet.
- Nem megfelelő használat esetén kifolyhatnak az elemek. Kerülje el az elemfolyadékkal levő érintkezést. Ha érintkezésbe kerülne az elemfolyadékkal, akkor tisztítsa meg folyó vízzel a testrészet. Ha a szembe kerülne az elemfolyadék, akkor még kiegészítésként azonnal fel kell keresni egy orvost.
- Kifolyt elemfolyadék bőringerléshez vagy megégetéshez vezethet.
- Ne tegye ki az elemeket sohasem túlságos hőségnek mint például napbesugárzásnak, tűznek vagy hasonlóknak.
- Ne töltsen fel sohasem újból olyan elemeket amelyek arra nem alkalmasak. Robbanásveszély!
- Az elemeket gyerekektől távol tartani, ne zárja őket rövidre vagy szedje őket szét.
- Ha lenyelt egy elemet, akkor keressen azonnal fel egy orvost.
- Szükség esetén tisztítsa meg mielőtt betenné az elem- és a készülékkontaktusokat.
- Ügyeljen a betételnél a helyes polarításra.
- Lemerült elemeket azonnal eltávolítani a készülékből. Magasabb a kifolyás veszélye.
- Mindig minden elemet egyszerre cserélje ki.
- Csak ugyanolyan típusú elemeket betenni, ne használjon különböző típusúakat vagy használt és új elemeket egymással.
- Biztosítsa, hogy a készülék használat után ki legyen kapcsolva.

- Hosszabb ideig tartó nemhasználat esetén távolítsa el az elemket a készülékből.

#### 2.2.4 Gondozás és szervíz

- A következő feltételek befolyásolhatják a kezelőszemélyre ható zajbehátást.
  - A fűrészlap fajtája (mint például fűrészlapok a zajbehátás lecsökkentésére)
  - a munkadarab anyaga
  - az erő, amely a munkadarabot a fűrészlap ellen tolja.
- A gépben levő hibákat, beleértve a védőberendezéseket és a fűrészlapot is, azonnal a felfedezésük után jelenteni kell a biztonságért felelős személynek.

#### 2.2.5 Biztos üzem

- A munkadarabnak a fűrészlap meletti elvezetéséhez egy toló botot vagy a fogantyút a tolófával használni.
- Hasítóéket használni és rendszeresen beállítani.
- Használni a felső fűrészlapvédőberendezést és rendszeresen beállítani.
- Ne végezzen el szegélyezést vagy hornyolást, anélkül hogy egy megfelelő védőberendezés, mint például egy alagútvédőberendezés, fel nem lenne szerelve.
- A körfűrészeket nem szabad hasítóékok (a munkadarabokban befejezett horony) fűrészelésére felhasználni.
- Csak olyan fűrészlapokat használni, amelyeknek a legmagasabb engedélyezett sebessége nem kisebb mint az asztali körfűrész valamint a vágásra szánt munkadarab maximális orsósebessége.
- A gép szállításánál csak a szállítási berendezést használni és ne használja sohasem kezelésre és szállításra a védőberendezéseket.
- A szállítás ideje alatt a fűrészlap felső oldalának le kellene, például egy védőberendezés által burkolva lennie.
- Hosszú munkadarabokat a vágási folyamat végéni lebillenés ellen biztosítani (mint például egy legurító állvánnyal).

#### 2.2.6 Kiegészítő utasítások

- Adja tovább a gépen dolgozó minden személynek a biztonsági utasításokat.
- Ne használja fel a fűrész tüzelfőfa fűrészelésére.
- Rönköket ne fűrészljen keresztbe.
- Vigyázat! A forgó fűrészlap által fennáll a kezek és ujjak megsértésének a veszélye.
- A gép, feszültségesés utáni újraindulás ellen, egy biztonsági kapcsolóval van felszerelve.
- A használatba vétel előtt ellenőrizze le, hogy a készülék típus tábláján levő feszültség a hálózati feszültséggel megegyezik - e.
- Ha hosszabbító kábelre lenne szüksége, akkor győződjön meg arról, hogy annak az átmérője a fűrész áramfelvételének elegendő. Legkisebb átmérő 1 mm<sup>2</sup>
- Kábeldobot csak letekert állapotban használjon.
- Ellenőrizze le a hálózati csatlakozóvezetékét. Ne használjon hibás vagy károsult csatlakozóvezetékét.
- A kezelőszemélynek legalább 18 évesnek kell lennie, kiképzésben levőnek legalább 16 évesnek, de csak felügyelet alatt.
- Tartsa a munkahelyet fahulladékok és szanaszét heverő részekről szabadadon.
- A gépen dolgozó személyek figyelmét nem szabad elterelni.
- Vegye figyelembe a motor és a fűrészlap forgási irányát.
- A fűrészlapokat semmi esetre sem szabad a meghajtás kikapcsolása után, oldali ellennyomás által lefékezni.
- Csak jól élesített, repedésmentes és nem deformált fűrészlapokat szerelni be.
- A gépen levő biztonsági berendezéseket nem szabad leszerelni vagy hasznavehetetlenné tenni.
- Hibás fűrészlapokat azonnal ki kell cserélni.
- Ne használjon a használati utasításban megadott, jellemző adatoknak nem megfelelő fűrészlapokat.
- Biztosítani kell, hogy minden olyan berendezés, amely a fűrészlapot burkolja kifogástalanul működik.
- **Figyelem:** Ezzel a fűrészszel nem szabad beeresztési vágásokat véghezvinni.

- Megrongálódott vagy hibás védőberendezéseket azonnal ki kell cserélni.
- A hasítóék az egy fontos védő berendezés, mely a munkadarabot vezeti és megakadályozza a vágási eresztés zárását a fűrészlap után és a munkadarab visszacsapódását. Ügyeljen a hasítóék vastagságára. A hasítóéknak nem szabad keskenyebbnek lennie a fűrészlaptesttől és nem szabad vastagabbnak lennie annak a vágási eresztésvastagságától.
- Minden munkaműveletnél le kell engedni a fedőburkolatot a munkadarabra.
- Keskeny munkadarabok hosszvágásánál okvetlenül egy toló botot használni (120 mm szélesség alatt).
- Ne vágjon olyan munkadarabokat, amelyek túl kicsik ahhoz, hogy biztosan tudja őket kézzel tartani.
- Keskeny fadarabok felvagdolásánál a párhuzamos ütközőnek a fűrészlap jobb oldalán kell erősen beszorítva lennie.
- A munkaállás mindig a fűrészlaptól oldalra legyen.
- Ne terhelje meg annyira a gépet, hogy leálljon.
- A munkadarabot mindig feszesen a fűrészasztal ellen nyomni.
- Ügyeljen arra, hogy a fűrészlap fogaskoszorúja ne kapja és hajítsa el a levágott fadarabokat.
- A lezárt javítás és karbantartási munka után azonnal újra fel kell szerelni minden védő és biztonsági berendezést.
- Be kell tartani a gyártó biztonsági-, munka- és karbantartási utasításait, valamint a technikai adatokban megadott méreteket.
- Figyelembe kell venni a megfelelő balesetvédelmi előírásokat és az egyéb, általánosan elismert technikai biztonsági szabályokat.
- A szakmai egyesület jegyzőfüzeteit figyelembe venni.
- Csatlakoztassa minden tevékenységénél a poreszívó-berendezést rá. A kezelő személyt informálni kell azokkal a feltételekkel kapcsolatban, amelyek befolyásolják a porképződést, mint például a megoldozásra előrelátott munkadarabok fajtája (felvétel és forrás), a helyi elkülönítés jelentősége és a kupak/vezető pléh/vezetősínek helyes beállításával kapcsolatban.
- A fűrész csak egy megfelelő elszívó berendezéssel vagy egy a kereskedelemben szokásos ipari poreszívóval üzemeltetni.
- A laza töredékeket, forgácsot vagy a beszorult farészeket sohasem szabad a forgó fűrészlapnál eltávolítani.
- Az üzemzavarok elhárításánál vagy a beszorult fadarabok eltávolításánál kapcsolja ki a gépet.
- Kihúzni a hálózati csatlakozót -
- Kiegyengetett fűrészhezág esetén, cserélje ki az asztalbetétet.
- Kihúzni a hálózati csatlakozót -
- Ez a szerszám megfelel a rávonatkozó biztonsági határozatoknak.
- Tartsa a munkakörét tisztán és rendben. Rendetlenség és nem megvilágított munkakörök baleseteket idézhetnek elő.
- Tartsa a készüléket esőtől és nedveségtől távol. A víz elektromos készülékbe való behatolása megnöveli az áramcsapás veszélyét.
- Legyen figyelmes, ügyeljen arra amit csinál és fogjon egy elektromos szerszámmal mindig okosan a munkához. Ne használja a készüléket ha fáradt vagy pedig ha kábítószerek, alkohol vagy orvosságok befolyása alatt áll. Az elektromos szerszám használatánál egy pillanat figyelmetlenség komoly sérülésekhez vezethet.
- Ne használjon olyan elektromos szerszámot, ahol defektes a kapcsoló. Egy olyan elektromos szerszám, amelyet nem lehet többé be- vagy kikapcsolni, az veszélyes és meg kell javítani.
- A nem használt elektromos szerszámokat a gyerekek részére nem elérhető helyen tárolni. Ne engedje olyan személyeknek a készüléket használni, akik nem jártassak ezzel a készülékkel, vagy akik nem olvasták el ezeket az utasításokat. Elektromos szerszámok veszélyesek, ha tapasztalatlan személyek használják őket.
- Tartsa a vágószerszámait élesen és tisztán. A gondosan ápolat vágószerszámok éles

vágóélekkel kevésbé szorulnak be és könnyebben lehet őket vezetni.

- Ha károsult az elektromos szerszám csatlakozási vezetéke, akkor ki kell cserélni egy speciálisan előkészített csatlakozási vezeték által, amely a vevőszolgáltatási szervezeten keresztül kapható.
- Hagyja a készülékét csakis a kvalifikált szakember által és csak originális-pótalkatrészekkel megjavíttatni. Azáltal biztosítva lesz, hogy továbbra is fennáll a készülék biztonsága.
- A gépet stabilan kell felállítani.
- A beüzemeltetés előtt minden burkolatnak és biztonsági berendezésnek szabályszerűen fell kell szerelve lennie.
- A fűrészlapnak szabadon kell tudni futnia.
- A már megmunkált fán ügyeljen az idegen alkatrészekre, mint például szögekre vagy csavarokra stb..
- Mielőtt üzemeltetné a be-/ kikapcsolót, bizonyosodjon meg arról, hogy a fűrészlap helyesen fel van szerelve és a mozgatható részek könnyű járhatóak.
- A munkadarab befogására szorítószerkezeteket használni. Ez azáltal biztosabban van fogva mint a kezével.
- Tartsa be a kenéshez és a szerszámcserehez való utasításokat.
- Tartsa a fogantyúkat szárazon, tisztán valamint olaj és zsír mentesen.
- A toló botot vagy a toló bothoz levő fogantyút nemhasználat esetén mindig a gépen kellene megőrizni.
- Ne végezen el szegélyezést vagy hornyolást, anélkül hogy egy megfelelő védőberendezés, mint például egy alagútvédőberendezés, a fűrészasztalra fel nem lenne szerelve.
- A szállítás ideje alatt a fűrészlap felső oldalának le kellene burkolva lennie, például egy védőberendezés által.
- A gép szállítására kérjük csak a készülék mindkét oldalán a készülékbe besajtolt szállítófogantyúkat használni.
- Ne használja a védőberendezéseket sohasem kezelésre vagy szállításra.

### 3. A készülék leírása

1. Fűrészasztal
2. Fűrészlapvédő
3. Elszívőtömlő
4. Hasítóék
5. Fűrészlap
6. Asztalbetét
7. Párhuzamos ütköző
8. Kézikerék
9. Beállító- és rögzítőfogantyú
10. Állvány
11. Be-, Kikapcsoló
12. Vezetősín
13. Harántütköző
14. Asztalkiszélesítés
15. Asztalhosszabbítás
16. Elszívóadapter
17. Tolóbot
18. Állólábak
19. Kereszttámasz
20. Hossztámaszok
21. Középtámaszok, rövid
22. Középtámaszok, hosszú
23. Gumilábak
24. Állófül
25. Asztaltámaszok, rövid
26. Asztaltámaszok, hosszú
27. Csavar szárnyasanyával
28. Hosszúlyuk a hasítóékban
29. Süllyesztettfejű csavarok
30. Rögzítőcsavar
31. Excenterkar
32. Horony
33. Recézett fejű csavar
34. Lézer
35. Kapcsoló lézer
36. Csavarok elemrekesz
37. Elemburkolat
38. /39. Rögzítőpontok

**Őrizze jól meg a biztonsági utasításokat**

## 4. A szállítás terjedelme

- Nyissa ki a csomagolást és vegye ki óvatosan a készüléket a csomagolásból.
- Távolítsa el a csomagolási anyagot valamint a csomagolási- / és szállítási biztosítékot (ha létezik).
- Ellenőrizze le, hogy teljes a szállítás terjedelme.
- Ellenőrizze le a készüléket és a tartozékrészeket szállítási károkra.
- Ha lehetséges, akkor őrizze meg a csomagolást a garanciaidő lejáratának a végéig.

### FIGYELEM

**A készülék és a csomagolási anyag nem gyerekjáték! Nem szabad a gyerekeknek a műanyagtasakkal, foliákkal és aprórészekkel játszaniuk! Fennáll a lenyelés és a megfulladás veszélye!**

- Eredeti használati utasítás
- Fűrészasztal előzelegesen felszerelt, keményfémlapkás fűrészlapal 24 fog
- Keményfémlapkás fűrészlap 48 fog
- Fűrészlapvédő
- Elszívótömlő
- Hasítóék lézerrel
- Elemek 1,5V AAA (2x)
- Párhuzamos ütköző
- Ütközősín
- Harántütköző
- Asztalkiszélesítés (2x)
- Asztalhosszabbítás
- Tolóbot
- Állólábak (4x)
- Keresztámaszok (2x)
- Hossztámaszok (2x)
- Középtámaszok rövid (2x)
- Középtámaszok hosszú (2x)
- Gumilábak (4x)
- Állófül (2x)
- Asztaltámaszok rövid (4x)
- Asztaltámaszok hosszú (2x)

### Összeszerelési anyag

- a) Alátétkorong M6 (52x)
- b) Anya (38x)
- c) Hatszögletes csavar (52x)
- d) Inbuszcsavar (6x)
- n) Biztosító csavar (2x)
- u) Alátétkorong M5 (6x)
- v) Biztosító csőbillincs

### Szerszám

- r) Villás csavarkulcs 10/13
- s) Csillagkulcs 10/24
- t) Inbuszkulcs 4mm

## 5. Rendeltetésszerűi használat

Az asztali körfűrész a gép nagyságának megfelelő mindenféle fa hossz- és keresztvágására (csak haránt ütközővel) szolgál. Semmilyen rönkfélét **nem** szabad vágni.

A készüléket csak rendeltetése szerint szabad használni. Ezt túlhaladó bármilyen használat, nem számít rendeltetésszerűnek. Ebből adódó bármilyen kárért vagy bármilyen fajta sérülésért a használó ill. a kezelő felelős és nem a gyártó.

Kérjük vegye figyelembe, hogy a készülékeink rendeltetésük szerint nem az ipari, kézműipari vagy gyári használatra lettek konstruálva. Nem vállalunk szavatosságot, ha a készülék ipari, kézműipari vagy gyári üzemek területén valamint egyenértékű tevékenységek területén van használat.

Csak a gépnek megfelelő fűrészlapokat (KF- vagy CV-fűrészlapokat) szabad használni. Tilos bármilyen fajta HSS – fűrészlapnak és szétválasztó tárcsának a használata. A rendeltetésszerűi használat része a biztonsági utasítások figyelembe vétele is, valamint az összeszerelési és a használati utasításban levő üzemeltetési utasítások.

**HU**

,A gépet kezelő és karbantartó személyeknek ezekben jártasoknak és a lehetséges veszélyekkel kapcsolatban kioktatottaknak kell lenniük. Ezen kívül legpontosabban be kell tartani az érvényes balesetvédelmi előírásokat. Figyelembe kell venni a munkaegészségügyi és a biztonságtechnikai téren fennálló balesetvédelmi szabályokat. A gépen történő változtatások, teljesen kizárják a gyártó szavatolását és az ebből adódó károk megtérítését. Bizonyos fennmaradt rizikótényezőket rendeltetésszerű használat esetén sem lehet teljes mértékben kizárni. A gép konstrukciója és felépítése által a következő rizikók léphetnek fel:

- a fűrészlap megérintése a nem lefedett fűrészkerben.
- a forgó fűrészlapba való nyúlás (vágási sérülés)
- A munkadarabok és munkadarabrészek visszacsapódása.
- Fűrészlaptörések.
- A fűrészlap hibás keményfémrészeinek a kivetése.
- A szükséges zajcsökkentő fülvédő használatának mellőzésekor a hallás károsodása.
- Zárt teremben történő használatkor az egészségre káros fapor kibocsátása.

## 6. Technikai adatok

Váltakozóáramú motor	230-240 V ~ 50Hz
Teljesítmény P	S6 40% 1700 W
Üresjárat fordulatszám $n_0$	6500 perc <sup>-1</sup>
Keményfémfűrészlap	Ø 250 x Ø 30
A fogak száma	24/48
Asztalnagyság	610 x 445 mm
Asztalkiszélesítés bal/jobb	608 x 250 mm
Asztalhosszabbítás hátul	435 x 320 mm
Vágási magasság max.	73 mm / 90° 63 mm/45°
Magasságelállítás fokozatmentesen	0 - 73 mm
A fűrészlap fokozatmentesen dönthető	0° - 45°
Elszívócsatlakozás	cca. Ø 36 mm
Tömeg az állvánnyal együtt, beleértve a levehető részeket is:	cca. 28,5 kg

### Üzem mód S6

Méretezési üzemtartam/méretezési nyugalomtartam (4 perc be/6 perc ki)  
Ahhoz, hogy a motor ne melegedjen tiltottan fel, az asztali körfűrész csak a következő képpen szabad használni:

A normális engedélyezett terhelési fok 4 perces (S 6 = 40%) üzemperiódusa után egy 6 perces szünetnek kell következnie, amelyben a körfűrész üressen fut.

### Zajkibocsátási értékek

A zajértékek az EN 61029 szerint lettek mérve.

	Üresmenet
Hangnyomásmérték $L_{pA}$	101,0 dB(A)
Bizonytalanság $K_{pA}$	3 dB
Hangteljesítménymérték $L_{WA}$	111,0 dB(A)
Bizonytalanság $K_{WA}$	3 dB

### Hordjon egy zajcsökkentő fülvédőt.

A zaj behatása hallásvesztéshez vezethet.



A megadott értékek, emissziós értékek, és ezért nem muszáj egyben biztos munkahelyi értékeket is jelenteniük. Habár az emissziós- és imisszió szint között egy korreláció áll fenn, mégsem lehet ebből biztonsággal levezetni, hogy kiegészítő óvintézkedésekre szükség van-e vagy nem. A tényezők, amelyek a munkahelyen jelenleg uralkodó imissziószintet befolyásolhatják, a behatás időtartamát, a munkaterem sajátosságát, más zajforrásokat stb., mint például a gépek számát és más szomszédos lefolyásokat tartalmazzák. Ugyanúgy variálhatnak országról országra a megbízható munkahelyi értékek. De ez az információ a használatnak a veszélyeztetés és a rizikó jobb felbecsülését kell hogy lehetővé tegye.

### Csökkentse le egy minimumra a zajkibocsátást és a vibrálást!

- Csak kifogástalan készülékeket használni.
- A készüléket rendszeresen karbantartani és megtisztítani.
- Illesse a munkamódját a készülékhez.
- Ne terhelje túl a készüléket.
- Hagyja adott esetben leellenőrizni a készüléket.
- Kapcsolja ki a készüléket, ha nem használja.

## 7. Beüzemeltetés előtt

- Győződjön meg rákapcsolás előtt arról, hogy a típustáblán megadott adatok megegyeznek a hálózati adatokkal.
- A gépet csak egy előírásosan beépített földelt-konnektorra rácsatlakoztatni, amely legalább 10A-al le van biztosítva.
- Húzza mindig ki a hálózati csatlakozót, mielőtt beállításokat végezne el a készüléken.
- Kicsomagolni az asztali körfűrész és felülvizsgálni esetleges szállítási sérülésekre.
- A gépet stabilan kell felállítani, ez annyit jelent, hogy egy munkapadra, vagy egy biztos lábazatra rá kell feszesen csavarozni.
- A beüzemeltetés előtt minden burkolatnak

és biztonsági berendezésnek szabályszerűen fell kell szerelve lennie.

- A fűrészlapnak szabadon kell tudni futnia.
- A már megmunkált fán ügyeljen az idegen alkatrészekre, mint például szögekre vagy csavarokra stb..
- Mielőtt üzemeltetné a be-/ kikapcsolót, bizonyosodjon meg arról, hogy a fűrészlap helyesen fel van szerelve és a mozgatható részek könnyű járhatóak.

## 8. Összeszerelés

**Figyelem! A körfűrészten történő minden karbantartási, átszerelési és összeszerelési munka előtt kihúzni a hálózati csatlakozót.**

### 8.1 Az állvány felszerelése (képek 4-től – 9-ig)

- Megfordítani az asztali körfűrészten és lefektetni a talajra.
- A hatszögletű fejescsavarral (c) és az alátétkorongokkal (a) lazán rácsavarozni a négy állólábat (18) a fűrészre (5-ös kép).
- Most a hosszttámaszokat (20) és a keresztámaszokat (19) valamint a négy középtámaszt (21, 22) az állólábakon lazán a hatszögletű fejescsavarral (c), alátétkoronggal (a) és az anyákkal (b) összezsavarozni (képek 6-tól – 7-ig).
- Ennél a hatszögletű csavart (c) és az anyákat (b) csak lazán feszesre húzni.  
**Figyelem:** A hosszabb támaszokat oldalt kell használni.
- Most rádugni a négy gumilábat (23) az állólábakra (8-as kép).
- Összezsavarozni a hátsó állólábakban levő furatokon az állófüleket (24) 2-2 hatszögletű csavarral (c), alátétkoronggal (a) és anyákkal (b). (9-es kép)  
**Figyelem!**  
**Mind a két állófülnek fel kell a gép hátuljára a 38-as és a 39-es rögzítópontokra erősítve lennie!**
- Azután az állvány minden csavarját és anyáját feszesre csavarozni.

## 8.2 Az asztalkiszélesítés és –hosszabbítás felszerelése (képek 10-től – 14-ig)

- Az inbuszcsavarokkal (d) és az alátétkorongokkal (u) lazán felerősíteni az asztalkiszélesítést (14) és az asztalhosszabbítást (15) a fűrészasztalra (1). (képek 10-től – 12-ig) Az asztalkiszélesítés felszereléséhez a hátulsó lyukakat használni (amelyek az asztalhosszabbításfelé vannak fordítva).
- A hatszögletű csavarokkal (c) és az alátétkorongokkal (u) lazán feszesre felcsavarozni az asztaltámaszokat (25, 26) az asztali körfűrészre. Úgyszintén még fel kell lazítani feszesre csavarozni a hatszögletű csavarokkal (c), az alátétkoronggal (a) és az anyával (b) az asztaltámaszokat (25, 26) a kiszélesítő- ill. hosszabbítóasztalra. (rövid támaszok (25) a kiszélesítéshez, hosszú támaszok a meghosszabbításhoz ) (képek 13-tól – 14-ig).
- Az állvánnyal megfordítani a fűrész és leállítani a talajra.
- Az asztalkiszélesítést és meghosszabbítást a fűrészasztallal (1) egy szintbe kiigazítani.
- Azután minden csavart feszesre meghúzni.

## 8.3 Felszerelni / leszerelni a fűrészlapvédőt (képek 2, 15-től – 16-ig)

- Az első összeszerelés előtt be kell tenni a lézer elemeket (lásd a 9.9-et).
- Az első összeszerelésnél először fel kell szerelni és be kell állítani a hasítóéket (4). Járjon ehhez a 8.5-ös szakaszban leírtak szerint el.
- Felülről feltenni a hasítóékre (4) a csavarral együtt (27) a fűrészlapvédőt (2), úgy hogy a csavar feszesen a hosszúlyokban (28) üljön.
- Ne húzza meg a csavart (27) túl feszesre; a fűrészlapvédőnek szabadon mozgathatónak kell maradnia.
- Rádugni az elszívóömlőt (3) az elszívóadapterre (16) és a fűrészlapvédő (18) elszívócsőcsomójára (18) majd a biztosító csőbilinccsel (v) az elszívóadapteren (16) összecsavarozni. Rácsatlakoztatni egy megfelelő forgácselszívószerelvényt az elszívóadapterre (16).

- A leszerelés az ellenkező sorrendben történik.

### Figyelem!

**A fűrészelés kezdete előtt le kell eresztetni a fűrészlapot (2) a fűrészjávra.**

## 8.4 Az asztalbetét kicserélése (képek 17-től – 18-ig)

- Kopás vagy megrongálás esetén ki kell cserélni az asztalbetétet (6), mert különben magasabb sérülési veszély áll fenn.
- Levenni a fűrészlapvédőt (2) (lásd a 8.3-at)
- Eltávolítani a 2 sülyesztettfejű csavart (29).
- Kivenni az elkopott asztalbetétet (6).
- Az új asztalbetét beszerelése az ellenkező sorrendben történik.

## 8.5 A hasítóéket beállítani (ábrák 19-től – 20-ig)

- **Figyelem! Kihúzni a hálózati csatlakozót**
- Minden fűrészlapcsere után felül kell vizsgálni a fűrészlap (5) beállítását.
- Beállítani a fűrészlapot (5) a max. vágási mélységre, a 0°-ú állásba helyezni és arretálni (lásd a 9.2-öt).
- Leszerelni a fűrészlap védőt (2) (lásd a 8.3-at.)
- Kivenni az asztalbetétet (6) (lásd a 8.4-et)
- Meglazítani a rögzítőcsavart (30).
- A hasítóéket (4) addig feltolni, amíg a fűrészasztal (1) és a hasítóék (4) felső széle közötti távolság ca. 10 cm.
- A fűrészlap (5) és a hasítóék (4) közötti távolságnak max. 5 mm-nek kellene lennie. (20-as ábra)
- A rögzítőcsavart (30) ismét feszesre húzni és felszerelni az asztalbetétet (6) (lásd a 8.4-et).
- Ismét felszerelni a fűrészlap védőt (2) (lásd a 8.3-at.)

## 8.6 A fűrészlap összeszerelése/kicserélése (21-es kép)

- **Figyelem! Kihúzni a hálózati csatlakozót és védőkesztyűket hordani.**
- Leszerelni a fűrészlap védőt (2) (lásd a 8.3-at.)
- A két süllyesztettfejű csavar megeresztése által eltávolítani az asztalbetétet (lásd a 8.4-et)
- Megeresztetni az anyát, azáltal hogy az egyik kulccsal (SW 24) az anyát megfogja és egy másik villás kulcsot (SW 10) rátesz a motortengelyre, ellentartásként.
- **Figyelem!** Az anyát a fűrészlap forgási irányában csavarni.
- A külső karimát levenni és az öreg fűrészlapot ferdén lefelé lehúzni a belső karimáról.
- Az új fűrészlap felszerelése előtt a fűrészlap karimáját gondosan megtisztítani egy drótkéfével.
- Az új fűrészlapot az ellenkező sorrendben ismét berakni és feszesre húzni.  
**Figyelem! Vegye figyelembe a forgási irányt, a fogak vágási hajlásának a futási irányba, ez annyit jelent, hogy előre kell mutatnia (lásd a nyilat a fűrészlapvédőn)**
- Az asztalbetétet (6) valamint a fűrészlapvédőt (2) újra felszerelni és beállítani (lásd a 8.3-at, a 8.4-et)
- Mielőtt a fűrészszel újra dolgozna, meg kell vizsgálni a védő berendezések működését.

## 9. Kezelés

### 9.1. Be/ki-kapcsoló (22-es kép/poz. 11)

- A zöld taszter „I” nyomása által lehet a fűrészszel bekapcsolni. A fűrészszel kezdete előtt megvárni, amíg a fűrészszel el nem érte a maximális fordulatszámát.
- A fűrészszel újbolí kikapcsolásához, meg kell nyomni a piros „O” tasztert.

### 9.2. Vágásmélység (22-es kép)

- A kézikerek (8) csavarása által lehet a fűrészszel (5) a kívánt vágási mélységre beállítani.

Az óramutató járásával ellenkező irányba: nagyobb vágási mélység

Az óramutató forgási irányába: kisebb vágási mélység

### 9.3. A szög beállítása (22-es kép)

- Megeresztetni a rögzítő fogantyút (9).
- A fogantyú fordítása által beállítani a skálán a kívánt szögmértéket.
- A kívánt szögmértékben bereteszelni a rögzítő fogantyút.

### 9.4 Párhuzamos ütköző

#### 9.4.1. Ütközői magasság (képek 23-tól – 26-ig)

- A párhuzamos ütköző (7) ütközősínre (e) két különbözően magas vezetőfelülettel rendelkezik.
- A vágandó anyagok vastagságától függően az ütközősínre (e) vastag anyagoknál (25 mm munkadarabvastagság felett) a 25-ös ábra szerint és vékony anyagoknál (25 mm munkadarabvastagság alatt) a 26-os ábra szerint kell használni.

#### 9.4.2 Az ütközősín elfordítása (képek 23-tól – 26-ig).

- Az ütközősín (e) elfordításához lazítsa meg először a szárnyas anyákat (f).
- Most le lehet húzni az ütközősínre (e) a vezetősínre (h) és a megfelelő vezetővel ismét rá lehet arra dugni.
- Húzza ismét meg a szárnyas anyákat (f).

#### 9.4.3 Vágási szélesség (képek 26-tól – 28-ig)

- A fadarabok hosszvágásánál egy párhuzamos ütközőt (7) muszáj használni.
- A párhuzamos ütközőnek a fűrészszel (5) jobb oldalán kellene felszerelve lennie.
- A párhuzamos ütközőt felülről a párhuzamos ütköző (12) vezetősínre tenni (26-os kép).

**HU**

- A párhuzamos ütköző (12) vezetősínjén 2 skála (j/k) található, amely az ütközősín (e) és a fűrészlap (5) közötti távolságot mutatja ki (27-es kép).
- Válassza ki a megfelelő skálát, attól függően, hogy az ütközősín (e) vastag vagy vékony anyagok megdolgozására van elfordítva:

Magas ütközősín (vastag anyag):  
Skála j

Alacsony ütközősín (vékony anyag):  
Skála k

- A figyelőablakon (l) beállítani a párhuzamos ütközőt (7) a kívánt mértékre és a párhuzamos ütköző (31) excenter karjával rögzíteni.

#### 9.4.4 Az ütközőhossz beállítása (29-es kép)

- A vágási jav szorulásának az elkerüléséhez, hosszirányban eltolható az ütközősín (e).
- Egyszerű szabály: Az ütközőnek a hátsó vége egy gondolt vonalhoz ütközik, amelyik körülbelül a fűrészlap közepénél kezdődik és 45° fok alatt hátrafelé fut.
- Beállítani a szükséges vágási szélességet
- A szárnyas anyákat (f) meglazítani és az ütközősín (e) annyira előretolni, amíg a kigondolt 45°-ú vonalat meg nem érinti.
- Ismét feszesre meghúzni a szárnyas anyákat (f).

#### 9.5 A párhuzamos ütköző jusztirozása (30-as kép)

- Beállítani a fűrészlapot (5) a maximális vágásmélységre (lásd a 9.2-es pontot is).
- A párhuzamos ütközőt (7) úgy beállítani, hogy az ütközősín (e) megérintse a fűrészlapot (vastag anyaghoz való beállításhoz lásd a 9.4-es pontot is).
- Ha a párhuzamos ütköző (7) nem lenne egy vonalban a fűrészlappal (5), akkor a párhuzamos ütközőn levő csavarokat (m) annyira meglazítani, hogy ki lehessen a párhuzamos ütközőt (7) a fűrészlaphoz (5) párhuzamosan igazítani (30-as kép).
- Ismét feszesre húzni a csavarokat (m).

#### 9.6 Harántütköző (képek 31-től – 32-ig)

- Betolni a harántütközőt (13) a fűrészasztal egyik horonyába (32).
- Meglazítani a recézett fejű csavart (33).
- Addig csavarni a harántütközőt (13) amíg be nincs állítva a kívánt szög mérték. A rovátka (w) jelzi a beállított szöveget.
- Ismét feszesre húzni a recézett fejű csavart (33).
- Nagyobb munkadarabok beszabásánál, a párhuzamosütköző (7) ütközősínével (e) meg lehet hosszabbítani a harántütközőt (13) (32-es kép).
- Ahhoz hogy a harántütközőt (13) az ütközősín (e) meghosszabbítsa, ki kell venni a párhuzamosütközőből (7) az ütközősín (e), a vezetősín (h) és a szárnyasanyát (f) az alátétkorongokkal együtt. Most az ütközősín, a 32-es képen mutatottak szerint felszerelni, használja ehhez a biztosító csavarokat (n).

#### Figyelem!

- Ne tolja az ütközősín (e) túlságosan a fűrészlap irányába.
- Az ütközősín (e) és a fűrészlap (5) közötti távolságnak cca. 2 cm-nek kellene lennie.

#### 9.7 A harántütközőn levő skálának a jusztirozása (33-as kép)

- Beilleszteni egy 90°-os ütközési szögletet a fűrészlaphoz (5).
- A párhuzamos ütköző (7) ütközési sínjével (e) összecsatlakoztatni a harántütközőt (13) (lásd a 9.4-es pontot is).
- Meglazítani a harántütköző (13) recézett fejű csavarját (33).
- A harántütközőt (13) úgy elhelyezni, hogy az ütközősín egy 90°-os szögben álljon a fűrészlaphoz (5). Most pontosan kiigazítani a 90°-ú szöglet segítségével a harántütközőt a fűrészlaphoz és a recézett fejű csavarral (33) ismét feszesre húzni.
- Leellenőrizni, hogy a harántütköző pontosan 90°-ot mutat e. Ha nem ez lenne az eset, akkor a következő képpen eljárni:
  - mind a két csavart (o), amellyel a harántütköző (13) skálája (p) ugyanarra rá van erősítve, annyira megereszteni, hogy azt be lehessen a helyes pozícióra állítani.

- Most ismét feszesre húzni a csavarokat (o).

### 9.8 A fűrészasztalon levő skálának a jusztírozása (28-as; 34-es képek)

- Biztosítani, hogy a párhuzamos ütköző (7) a fűrészlappal (5) egy vonalban legyen (lásd a 9.5-ös pontot is).
- A párhuzamos ütközőt úgy beállítani, hogy megérintse a fűrészlapot (vastag anyaghoz való beállításhoz lásd a 9.4-es pontot is)
- Cca. 2 fordulattal meglazítani a csavart (q), amellyel a skála (j; k) fel van szerelve a vezetősínre (12).
- Úgy beállítani a skálát (j/k), hogy a párhuzamos ütköző (7) figyelőüvegében (l) vonal a skála (j) nullavonalával megegyezzen.
- Ismét feszesre húzni a csavart (q).

### 9.9 A lézer használata (képek 35-től – 38-ig)

- A lézer (34), precízióvágásoknak az elvégzését teszi lehetővé a körfűrészével.
- A lézert fény egy, két elem által táplált, lézertápláló által lesz létrehozva. A lézert fény egy vonalra lesz feltágítva és a lézertáplálóon keresztül lép ki. Azután a vonalat precízióvágásnál a vágásvonal optikus jelzésként lehet használni. Vegye figyelembe a lézer biztonsági utasításait.
- Betenni az elemeket:
  - Távolítsa el a fűrészlapvédőt (2). (lásd a 8.3-at) A lézer a hasítóékre (4) van felszerelve és könnyen hozzáférhető.
  - Állítsa a lézer be/ki (35) kapcsolóját a 0 pozícióra (lézer ki).
  - Az elemrekeszfedelet (37) eltávolítani azáltal, hogy megereszti a csavarokat (36) és a csavarokra felerősített tartólemezeket úgy elfordítsa, hogy nem blokkolják tovább az elemrekeszfedelet (37). Hajtsa most fel az elemrekeszfedelet (37).
  - Fektesse be az elemeket, ügyeljen ennél a helyes polarításra (lásd a 37-es képet).
  - Tegye ismét be az elemrekeszfedelet (37) és rögzítse a csavarokkal (36).
- Ismét felszerelni a fűrészlapvédőt (2).
- Bekapcsolni a lézert: A lézer be/ki kapcsoló (35) az I-re állítani. Felszerelt fűrészlapvédőnél (2), az abban levő üreget

keresztül könnyen hozzáférhető a lézer be/ki kapcsolója (35) (38-as kép). A lézertáplálóon keresztül most egy piros lézertápláló lesz vetítve. Ha a fűrészelés ideje alatt a lézertápláló a vágásvonaljelzése mentén vezet, akkor tiszta vágások fognak sikerülni.

- Kikapcsolni a lézert: A lézer be/ki kapcsolóját (35) a 0-ra állítani. Kialszik a lézertápláló. Az elemek kíméléséhez kérjük a lézert mindig kikapcsolni, ha nincs rá szükség.
- A lézertápláló a lerakódott por és forgács által blokkolva lehet. Ezért minden használat után (készülék kikapcsolva) eltávolítani ezeket a részecskéket a lézertáplálóon keresztül.
- Megjegyzések az elemekhez: Ha hosszabb ideig nem használja a lézert, akkor kérjük vegye ki az elemeket az elemrekeszből. Az elemfolyadék kifolyása megrongálhatja a készüléket.
- Ne tegye az elemeket hűtőtestekre vagy tegye őket hosszabb ideig erős napbesütésnek ki; 50° feletti hőmérsékletek megrongálhatják a készüléket.

### 9.10 A lézer jusztírozása (35-ös kép)

Ha a lézer (34) nem mutatná tovább a helyes vágásvonalat, akkor azt utána lehet jusztírozni. Ehhez megnyitni a csavart (z) és oldali eltolás által úgy beállítani a lézert, hogy a lézertápláló eltalálja a fűrészlap (5) fogait.

## 10. Üzem

### Figyelem!!

- Minden új beállítás után, a beállított mértékek felülvizsgálatára egy próbavágást ajánlunk.
- A fűrész bekapcsolása után, mielőtt véghezvinné a vágást megvárni, míg a fűrészlap a maximális fordulatszámát el nem érte.
- Figyelem a bevágásoknál!
- A készüléket csak elszívással üzemeltetni.
- Az elszívócsatornákat rendszeresen leellenőrizni és megtisztítani.

- A fűrészlapok megfelelősége:
  - 24 fog: Puha anyagok, magas forgácsleszedés, durva vágásképp
  - 48 fog: Kemény anyagok, alacsonyabb forgácsleszedés, finomabb vágásképp

### 10.1 A hosszvágások véghezvitele (39-es kép)

Ennél egy munkadarab hosszirányba lesz átvágvá.

A munkadarabnak az egyik széle a párhuzamos ütköző (7) ellen lesz nyomva, míg a lapos oldala a fűrészasztalra (1) felfekszik. A fűrészlapvédőt (2) mindig le kell eresztetni a munkadarabra.

A hosszvágásnál sohasem szabad a munkaállásnak a vágás lefolyásával egy vonalban lennie.

- A párhuzamos ütközőt (7) a munkadarabmagasságnak és a kívánt szélességnek megfelelően beállítani. (lásd a 9.4-et)
- Bekapcsolni a fűrész
- A kezeket zárt ujjakkal laposan ráfektetni a munkadarabra és a munkadarabot a párhuzamos ütköző (7) mentén a fűrészlapba (5) tolni.
- A jobb vagy bal kézzeli oldali vezetés (a párhuzamos ütköző helyzetétől függően) mindig csak a fűrészlapvédő (2) elülső széléig legyen.
- A munkadarabot mindig a hasítóék (4) végéig áttolni.
- A vágási hulladék a fűrészasztalon (1) fekve marad, míg a fűrészlap (5) ismét nyugalmi állásba nem került.
- Biztosítsa a hosszú munkadarabokat a vágási folyamat végéni lebillenés ellen! (mint például legurulási állvány stb.)

### 10.1.1 Keskeny munkadarabok vágása (40-es kép)

120 mm alatti szélességű munkadarabok hosszvágását **okvetlenül** egy tolóbot (17) segítségével kell elvégezni. A tolóbot benne van a szállítás terjedelmében. **Az elkopott vagy károsult tolóbotot azonnal kicserélni.**

### 10.1.2 Nagyon keskeny munkadarabok vágása (41-es kép)

- Nagyon keskeny 30 mm és alatta levő szélességű munkadarabok hosszvágásánál okvetlenül egy tolófát kell használni
- Ennél a párhuzamos ütköző alacsonyabb vezetőfelületét kell előnybe részesíteni.
- **A tolófa nincs benne a szállítás terjedelmében! (Kapható a rávonatkozó szaküzletben) Az elkopott tolófát időben kicserélni.**

### 10.1.3 A ferdevágások véghezvitele (42-es kép)

Ferde vágások már alapjába véve csak a párhuzamos ütköző (7) felhasználásával végzendőek el.

- Beállítani a fűrészlapot (5) a kívánt szög mértékre. (lásd a 9.3-at)
- A munkadarab szélessége és magassága szerint beállítani a párhuzamos ütközőt (7) (lásd a 9.3-at).
- A munkadarab szélességnek megfelelően elvégezni a vágást (lásd 10.1.1-et és a 10.1.2-őt)

### 10.2 Harántvágások véghezvitele (képek 31, 43)

- A fűrészasztal két horonya (32) közül az egyikbe betolni a harántütközőt (13) és beállítani a kívánt szög mértékre. (lásd a 9.6-ot) Ha a fűrészlapot (5) még kiegészítően ferdén kell beállítani, akkor azt a horonyt (32) kell használni, amely nem engedi Ön kezét és a harántütközőt a fűrészlapvédővel érintkezésbe kerülni.
- Adott esetben használni az ütközősínt (e).
- A munkadarabot feszesen a harántütköző (13) ellen nyomni.
- Bekapcsolni a fűrész.
- A vágás elvégzéséhez a harántütközőt (13) és a munkadarabot a fűrészlap irányába

tolni.

- **Figyelem:**  
**Mindig a vezetett munkadarabot tartani, sohasem a szabad munkadarabot amely le lesz vágva.**
- A haránt ütközőt (13) mindig annyira előretolni, amíg teljesen át nincs vágva a munkadarab.
- Ismét kikapcsolni a fűrészt. A fűrész hulladékot csak akkor eltávolítani, ha a fűrészlap leállt.

### 10.3 Préseltlemezek vágása

Ahhoz hogy megakadályozza a vágásszélek kitérését a préseltlemezek vágásánál, a fűrészlapnak (5) nem kellene 5 mm-el a munkadarab vastagságától nagyobbra beállítva lennie (lásd a 9.2-es pontot is).

## 11. A hálózati csatlakozóvezetékek a kicserélése

Ha megsérült ennek a készüléknek a hálózati csatlakozóvezetéke, akkor azt a veszélyeztetések elkerüléséhez a gyártó vagy annak a vevőszolgáltatása, vagy egy hasonlóan szakképzett személy által ki kell cseréltetni.

## 12. Tisztítás, karbantartás, raktározás, szállítás és pótalkatrészmegrendelés

Tisztítási munkák előtt húzza ki a hálózati csatlakozót.

### 12.1 Tisztítás

- Tartsa a védőberendezéseket, szellőztető réseket és a gépházat annyira por- és piszokmentesen, amennyire csak lehet. Dörzsölje le a készüléket egy tiszta posztóval vagy pedig fújja ki alacsony nyomás alatt sűrített levegővel.
- Ajánljuk, hogy minden használat után azonnal kitisztítsa a készüléket.
- Tisztítsa meg rendszeresen egy nedves

posztóval és egy kevés kenőszappannal a készüléket. Ne használjon tisztító vagy oldó szereket; ezek megtámadhatják a készülék műanyagrészeit. Ügyeljen arra, hogy ne kerüljön víz a készülék belsejébe.

### 12.2 Szénkefék

Túlságos szikraképződés esetén, ellenőriztesse le a szénkeféket egy villamossági szakember által. Figyelem! A szénkeféket csak egy villamossági szakembernek szabad kicserélni.

### 12.3 Karbantartás

A készülék belsejében nem található további karbantartandó rész.

### 12.4 Tárolás

A készüléket és a készülék tartozékait egy sötét, száraz és fagymentes valamint gyerekek számára nem hozzáférhető helyen tárolni. Az optimális tárolási hőmérséklet 5 és 30 °C között van. Az elektromos szerszámot az eredeti csomagolásban őrizni.

### 12.5 Szállítás

- A gép szállítására kérjük csak a készülék mindkét oldalán a készülékbe besajtolt szállítófogantyúkat (44-es kép) használni.
- Biztosítsa a készüléket elcsúszás ellen, biztonságosan lekötözni.
- Ne használja a védőberendezéseket sohasem kezelésre vagy szállításra.

### 12.6 A pótalkatrész megrendelése

Pótalkatrész megrendésénél a következő adatokat kellene megadni;

- A készülék típusát
- A készülék cikk-számát
- A készülék ident- számát

Aktuális árak és információk a [www.isc-gmbh.info](http://www.isc-gmbh.info) alatt találhatóak.

**HU**

### 13. Megsemmisítés és újrahasznosítás

A szállítási károk megakadályozásához a készülék egy csomagolásban található. Ez a csomagolás nyersanyag és ezáltal ismét felhasználható vagy pedig visszavezethető a nyersanyag körforgáshoz. A készülék és annak a tartozékai különböző anyagokból állnak, mint például fémből és műanyagokból. Vigye a károsult alkatrészeket a különhulladék megsemmisítési helyhez. Érdeklődjön utána a szaküzletben vagy a községi közigazgatásnál!



Csak az EU-országoknak

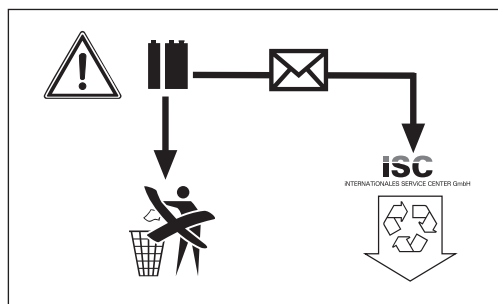
Ne dobja az elektromos szerszámokat a háztartási hulladék közé!

Az elektromos- és elektronikus-öregkészülékek 2002/96/EK európai irányvonala és a nemzeti jogba való átvétele szerint az elhasznált elektromos szerszámokat szétválasztva kell összegyűjteni és vissza kell vezetni egy környezetvédelemnek megfelelő újrafelhasználáshoz.

Recycling-alternatívák a visszaküldési felszólításhoz:

Az elektromos készülék tulajdonosa, a tulajdon feladása esetében köteles a visszaküldés helyett alternatív a szakszerű értékesítésnél összedolgozni. Ehhez az öreg készüléket egy visszavevő helynek is át lehet hagyni, amely elvégzi a nemzeti körforgásipari- és hulladéktörvények értelmében levő megsemmisítést.

Ezt nem érinti az öreg készülékekhez mellékelt tartozékrészeket, az elemek a környezetre veszélyes anyagokat tartalmaznak. Ne dobja az elemet a háztartási hulladékba, tűzbe vagy vízbe. Az elemeket össze kell gyűjteni, újrahasznosítani vagy környezetbarátan megsemmisíteni. Küldje az elhasznált elemeket az iSC GmbH-hez, Eschenstraße 6 D-94405 Landau. Ott a gyártó által garantálva lesz a szakszerű megsemmisítés.





## 14. Konformkijelentés

Einhell Germany AG · Wiesenweg 22 · D-94405 Landau/Isar



## Konformitätserklärung

- (C)** erklärt folgende Konformität gemäß EU-Richtlinie und Normen für Artikel
- (EN)** explains the following conformity according to EU directives and norms for the following product
- (F)** déclare la conformité suivante selon la directive CE et les normes concernant l'article
- (I)** dichiara la seguente conformità secondo la direttiva UE e le norme per l'articolo
- (NL)** verklaart de volgende overeenstemming conform EU richtlijn en normen voor het product
- (E)** declara la siguiente conformidad a tenor de la directiva y normas de la UE para el artículo
- (P)** declara a seguinte conformidade, de acordo com a directiva CE e normas para o artigo
- (DK)** atterer følgende overensstemmelse i medfør af EU-direktiv samt standarder for artikel
- (S)** förklarar följande överensstämmelse enl. EU-direktiv och standarder för artikeln
- (RU)** vakuuttaa, että tuote täyttää EU-direktiivin ja standardien vaatimukset
- (EL)** töendab toote vastavust EL direktiivile ja standarditele
- (CZ)** vydává následující prohlášení o shodě podle směrnice EU a norem pro výrobek
- (SK)** potvrjuje sledečo skladnost s smernico EU in standardi za izdelek
- (HU)** vydáva nasledujúce prehlásenie o zhode podľa smernice EÚ a noriem pre výrobok
- (H)** a cikkekhez az EU-irányvonal és Normák szerint a következő konformitást jelenti ki
- (PL)** deklaruje zgodność wymienionego poniżej artykułu z następującymi normami na podstawie dyrektywy WE.
- (BG)** декларира съответното съответствие съгласно Директива на ЕС и норми за артикул
- (LV)** paskaidro šādu atbilstību ES direktīvai un standartiem
- (LT)** apibūdina šį atitikimą EU reikalavimams ir prekės normoms
- (RO)** declară următoarea conformitate conform directivei UE și normelor pentru articolul
- (GR)** δηλώνει την ακόλουθη συμμόρφωση σύμφωνα με την Οδηγία ΕΚ και τα πρότυπα για το προϊόν
- (HR)** potvrđuje sljedeću usklađenost prema smjernicama EU i normama za artikl
- (SI)** potrjuje sledeću usklađenost prema smernicama EU i normama za artikl
- (ES)** potvrđuje sledeću usklađenost prema smernicama EZ i normama za artikl
- (BG)** следующим удостоверяется, что следующие продукты соответствуют директивам и нормам ЕС
- (UK)** проголошує про зазначену нижче відповідність виробу директивам та стандартам ЄС на виріб
- (MK)** ja izjavuva slednata soobraznost согласно EУ-директивата и нормите за артикли
- (TR)** Ürünü ile ilgili AB direktifleri ve normları gereğince aşağıda açıklanan uygunluğu belirtir
- (N)** erklærer følgende samsvar i henhold til EU-direktivet og standarder for artikkel
- (IS)** Lýsir uppfyllingu EU-reglna og annarra staða vöru

## Tischkreissäge PTK 1700 A1 (Parkside)

- 2009/105/EC
- 2006/95/EC
- 2006/28/EC
- 2005/32/EC
- 2004/108/EC
- 2004/22/EC
- 1999/5/EC
- 97/23/EC
- 90/396/EC
- 89/686/EC\_96/58/EC
- 2006/42/EC
- Annex IV  
Notified Body: TÜV Rheinland LGA Products GmbH  
Tillystraße 2, 90431 Nürnberg, Germany  
Notified Body No.: 0197  
Reg. No.: BM 50179485 0001
- 2000/14/EC\_2005/88/EC
- Annex V
- Annex VI  
Noise: measured  $L_{WA}$  = dB (A); guaranteed  $L_{WA}$  = dB (A)  
P = KW; L/Ø = cm  
Notified Body:
- 2004/26/EC  
Emission No.:

Standard references: EN 61029-1; EN 61029-2-1; EN 55014-1;  
EN 55014-2; EN 61000-3-2; EN 61000-3-3

Landau/Isar, den 29.01.2010

Weichselgartner/General Manager

Wentao/Product-Management

First CE: 10  
Art.-No.: 43.406.87 I.-No.: 11010  
Subject to change without notice

Archive-File/Record: 4340690-39-4177400-08  
Documents registrar: Siegfried Roider  
Wiesenweg 22, D-94405 Landau/Isar

# 15. GARANCIAOKMÁNY

## Tisztelt Vevő,

termékeink szigorú minőségi kontroll alá vannak vetve. Ha ez a készülék mégis egyszer nem működne kifogástalanul, akkor azt nagyon sajnáljuk és kérjük Önt forduljon a szervízszolgálatunkhoz amely ebben a garanciaútlevelemben megadott cím alatt található. Szívesen állunk a rendelkezésére telefonon is, az alul megadott szervízszerelési szám alatt. A garanciaigények érvényesítésére a következők érvényesek:

1. Ezek a garanciafeltételek szabályozzák a kiegészítő garanciateljesítvényeket. A jogi szavatossági igények, ez a garancia által nincsennek érintve. A garanciateljesítvényünk az Ön számára ingyenes.
2. A garanciateljesítvény csak kizárólagosan olyan hibákra terjed ki, amelyek anyag- vagy gyártási hibákra visszavezethetőek és ezeknek a hibáknak a kiküszöbölésére ill. a készülék kicserélésére van korlátozva. Kérjük vegye figyelembe, hogy a készülékeink a meghatározásuk szerint nem kisipari, kézműipari vagy ipari üzemek területén történő bevetésre lettek tervezve. Ezért a garanciaszerződés nem jön létre, ha a készülék kisipari, kézműipari vagy ipari üzemek területén valamint egyenértékű tevékenységek területén van használva. Továbbá a következő kárpótlási teljesítvények mint a szállítási károkért, károkért amelyek az összeszerelési utasítás figyelmen kívül hagyása vagy amelyek a nem szakszerű felszerelés, a használati utasítás figyelmen kívül hagyása (mint például egy rossz hálózati feszültségre vagy áramfajtára való rákapszolás), visszaélészerű vagy nem szakszerű használatok (mint például a készülék túlterhelése vagy nem engedélyezett betétszerszámok vagy tartozékok), a karbantartási és biztonsági határozatok figyelmen kívül hatása, idegen testek behatolása a készülékbe (mint például homok, kövek vagy por) erőszakbehatolás vagy idegen behatások (mint például leejtés általi károk) úgymint a használat általi, szokásos kopások által keletkező károk ki vannak zárva. Ez különösen azokra az akkukra érvényes, amelyekre még egy 12 hónapos garanciaidőt nyújtunk.

A készüléken történő előzetes belenyúlás esetén elveszítődik a garanciajogosultság.

3. A garanciaidő érvényessége 3 év és a készülék vásárlási időpontjával kezdődik. A garanciaigények a garanciaidő lejárása előtt, két héten belül érvényesíteni kell, miután felismerte a hibát. A garanciajog érvényesítése a garancia idő lejárása után ki van zárva. A készülék kicserélése vagy megjavítása nem vezet a garancia időtartamának a meghosszabításához se nem vezet ez a teljesítvény a készülék vagy az esetleg beépített pótalkatrészek egy új garanciaidőtartamhoz. Ez egy helyszíni szervíz esetében is érvényes.
4. A garanciajog érvényesítéséhez kérjük küldje a defekt készüléket bérmentesen a lent megadott címre. Mellélkelje a vásárlási nyugtát eredetiben vagy egyéb módon levő bizonylatot a vásárlás keltéről. Kérjük őrizze ezért jól meg a pénztári cédulát mind bizonyítékot! Kérjük írja le lehetőleg pontosan a reklamáció okát. Ha a defekt a garanciateljesítvényünk keretén belül van, akkor kap azonnal egy megjavított vagy egy új készüléket vissza.

Magától érthetődő, hogy a költségek megtérítése ellenében szívesen megjavítsuk azokat a készüléken levő defekteket amelyek a garancia terjedelme nem vagy már nem érinti. Ehhez küldje kérjük a készüléket a szervízcímünkre.

**EINHELL HUNGARIA LTD.**  
KÖZPONTI SZERVIZ - VEVŐSZOLGÁLAT  
1107 BUDAPEST, MÁZSA TÉR 5-7.  
Tel. 06(1) 237-0494 · Fax 06(1) 237-0495

<b>Kazalo</b>	<b>Stran</b>
1. Uvod .....	53
2. Varnostni napotki .....	53-58
3. Opis naprave.....	58
4. Obseg dobave .....	58-59
5. Predpisana namenska uporaba .....	59
6. Tehnični podatki.....	59-60
7. Pred prvim zagonom .....	60
8. Montaža .....	60-62
9. Upravljanje .....	62-64
10. Obratovanje .....	64-65
11. Menjava priključka za omrežje .....	66
12. Čiščenje, vzdrževanje, skladiščenje, transport in naročanje nadomestnih delov .....	66
13. Odstranjevanje in ponovna uporaba .....	66-67
14. Izjava o skladnosti.....	68
15. Garancijska listina .....	69

Ponatis ali kakršnokoli razmnoževanje dokumentacije in spremljajočih papirjev o proizvodu, tudi po izvlečkih, je dovoljeno samo z izrecnim soglasjem ISC GmbH.

Pridržana pravica do tehničnih sprememb

SI

## Obrazložitev simbolov na napravi



“OPOZORILO - Za zmanjšanje tveganja poškodb preberite navodila za uporabo stroja”



### **Uporabljajte zaščito za ušesa.**

Učinkovanje hrupa lahko povzroči izgubo sluha.



### **Uporabljajte protiprašno zaščitno masko.**

Pri obdelavi lesa in drugih materialov lahko pride do nastajanja zdravju škodljivega prahu. Materiala, ki vsebuje azbest, ne smete obdelovati!



### **Uporabljajte zaščitna očala.**

Med delom nastajajoče iskre ali iz naprave izletajoči delčki, ostružki in prah lahko povzročijo izgubo vida.



### **Nosite rokavice za zaščito rok.**

Pri rokovanju z listi žage morate vedno nositi zaščitne rokavice.



### **Pozor! Nevarnost poškodb!**

Ne posegajte po vrtečem se listu žage!

## 1. Uvod

### ⚠ **Pozor!**

Pri uporabi naprav je potrebno upoštevati nekaj varnostnih ukrepov, da bi preprečili poškodbe in materialno škodo. Zato skrbno preberite ta navodila za uporabo/varnostne napotke. Le-te dobro shranite tako, da boste imeli zmeraj pri roki potrebne informacije. Če bi napravo izročili drugim osebam, Vas prosimo, da jim izročite tudi ta navodila za uporabo/varnostne napotke. Ne prevzemamo nobene odgovornosti za nezgode ali škodo, ki bi nastale zaradi neupoštevanja teh navodil za uporabo in varnostnih napotkov.

## 2. Varnostni napotki

### ⚠ **OPOZORILO**

**Preberite vse varnostne napotke in navodila.** V primeru, da tega ne storite, so lahko posledica električni udar, požar in/ali hude poškodbe.

**Shranite vse varnostne napotke in navodila za kasnejšo uporabo.**

### 2.1 Splošni varnostni napotki za električne naprave

**Pozor! Pri uporabi električnega orodja je za zaščito pred električnim udarom, nevarnostjo poškodb in požara potrebno upoštevati sledeče varnostne ukrepe. Preberite in upoštevajte sledeče napotke preden začnete uporabljati napravo.**

1. **Vzdržujte red na delovnem območju.**  
Nered na delovnem območju povzroča nevarnosti.
2. **Upoštevajte okoljske vplive**  
Električnega orodja ne izpostavljajte dežju. Ne uporabljajte električnega orodja v vlažnem ali mokrem okolju. Poskrbite za dobro osvetljavo. Ne žagajte v bližini vnetljivih tekočin ali plinov.
3. **Zaščitite se pred električnim udarom**  
S telesom se ne dotikajte ozemljenih delov,

npr. cevi, grelnih teles, štedilnikov, hladilnikov.

4. **Otroci naj se ne nahajajo v bližini!**  
Ne dovolite, da bi se druge osebe dotikale orodja ali kabla, naj se ne nahajajo v Vašem delovnem območju.
5. **Orodje hranite na varnem**  
Kompresor, ki ga ne uporabljate, je treba skladiščiti v suhem, zaprtem prostoru, nedostopno otrokom.
6. **Orodja ne preobremenjujte**  
Delo bo potekalo boljše in varneje v navedenem zmogljivostnem območju.
7. **Uporabljajte pravilno orodje**  
Za težka dela ne uporabljajte prešibkega orodja ali orodja, ki ga držite pred seboj. Ne uporabljajte orodja za namene in dela, za katere orodje ni namenjeno; na primer ne uporabljajte ročne krožne žage za podiranje dreves ali rezanje vej.
8. **Uporabljajte ustrezna delovna oblačila**  
Ne nosite širokih oblačil ali nakita. Le-te lahko zagrabijo premični deli naprave. Pri delu na prostem je priporočena uporaba obutve, ki je odporna proti drsenju. Če imate dolge lase, pri delu uporabljajte mrežico za lase.
9. **Nosite zaščitna očala**  
Uporabljajte masko za prah pri delu, kjer nastaja prah.
10. **Kabla ne uporabljajte v druge namene**  
Orodja ne prenašajte za kabel in kabla ne uporabljajte za izvlačenje vtikača iz vtičnice. Kabel varujte pred toploto, oljem in pred ostrimi robovi.
11. **Zavarujte obdelovanca**  
Uporabljajte vpenjalno napravo ali primež, v katerega vpnete obdelovanca. S tem se bo obdelovanec nahajal v čvrstem položaju kot pa, če bi ga držali z roko in omogočeno Vam bo izvajanje dela z obema rokama.
12. **Stojne lege ne raztegnite preveč**  
Drža telesa naj ne bo nenaravna. Poskrbite za varno stoji in vedno držite ravnotežje.
13. **Orodje skrbno negujte.**  
Orodje vzdržujte ostro in čisto, da boste lahko dobro in varno delali. Upoštevajte predpise za vzdrževanje in napotke za zamenjavo orodja. Redno preverjajte vtikač in kabel in ju dajte v primeru poškodbe

popraviti priznanemu strokovnjaku. Redno preverjajte kabelski podaljšek in ga po potrebi zamenjajte. Ročajje vzdržujte v suhem stanju in brez prisotnosti olja in maščobe.

#### 14. Izvlecite omrežno stikalo

Ko naprave ne uporabljate, pred vzdrževanjem in pri zamenjavi orodja, kot npr. list žage, sveder in kakršnokoli strojno orodje.

#### 15. Ne puščajte ključev orodja v vtičnicah

Pred vklopom preverite, če ste odstranili ključ in nastavljalno orodje.

#### 16. Preprečite nenamerni zagon

Ne prenašajte nobenih na električno omrežje priključenih orodij s prstom na stikalu. Prepričajte se, da bo stikalo pri priključevanju na električno omrežje izključeno.

#### 17. Podaljševalni kabel na prostem

Na prostem uporabljajte samo za do odobren in ustrezno označen podaljševalni kabel.

#### 18. Vedno bodite pozorni.

Opazujte svoje delo. Postopajte razumno. Orodja ne uporabljajte takrat, ko ste utrujeni.

#### 19. Napravo pregledjte, da ni poškodovana

Pred nadaljnjo uporabo orodja je potrebno zaščitne priprave ali lažje poškodovane dele skrbno pregledati glede brezhibnega in smotrnega namenskega delovanja. Preverite, če premični deli dobro delujejo, če se ne zatikajo ali, če so deli poškodovani. Vsi deli morajo biti pravilno montirani, da bo zagotovljena varnost naprave.

Poškodovane zaščitne priprave in del je potrebno po vseh pravilih dati popraviti ali zamenjati v priznani strokovno delavnico, v kolikor v navodilih za uporabo ni navedeno drugače. Poškodovana stikala morate dati zamenjati v delavnici servisne službe. Ne uporabljajte orodja, pri katerem se stikalo za vklop/izklop ne da vklopiti oz. izklopiti.

#### 20. Pozor!

Za Vašo alstno varnost uporabljajte samo pribor in dodatne naprave, ki so navedene v navodilih za uporabo ali jih priporoča ali navaja proizvajalec orodja. Uporaba drugih

uporabnih orodij ali priborov, kot pa je navedeno v navodilih za uporabo, lahko predstavlja za Vas osebno nevarnost za poškodbe.

#### 21. Popravila naj izvaja strokovnjak za elektriko

To električno orodje ustreza zadevnim varnostnim določilom. Popravila smejo izvajati samo elektro strokovnjaki, v nasprotnem lahko uporabnik utрпи nezgode.

#### 22. Vključite sesalno napravo

Če obstajajo naprave za priključitev opreme za odsesavanje prahu, se prepričajte, da bodo le-te priključene in uporabljane.

## 2.2 Posebni varnostni napotki

### 2.2.1 Varnostni ukrepi

- Deformiranih ali razpokanih listov žage ne smete uporabljati.
- Zamenjajte obrabljene namizne vložke.
- Uporabljajte samo s strani proizvajalca priporočene liste žage, ki odgovarjajo EN 847-1. Pri zamenjavi lista žage pazite na to, da debelina rezanja ne bo manjša in debelina lista žage ne veeja od debeline režne zagozde.
- Pazite na to, da boste izbrali za rezani material primerni list žage.
- V primeru, da je potrebno, nosite ustrezno osebno zaščitno opremo. Ta lahko vsebuje:
  - Glušnike, s katerimi preprečite tveganje naglušnosti;
  - Dihalno zaščito, s katero preprečite tveganje vdihovanja nevarnih prahov.
  - Pri rokovanju z žaginimi listi in grobimi obdelovanci nosite rokavice.
- Žagine liste je potrebno vedno nositi v praktičnih embalažah.
- Pri žaganju lesa je krožne žage potrebno priključiti na pripravo za prestrezanje prahu. Sledeči faktorji lahko vplivajo na sproščanje prahu:
  - Obrabljeni, poškodovani ali razpokani žagini listi
  - Priporočena sesalna moč sesalne naprave: 20 m/s
  - Obdelovanec je treba pravilno voditi pri žaganju
- Listov žage iz visoko legiranega hitro

obdelanega jekla (HSS jeklo) ni dovoljeno uporabljati.

- Ko potisnega kosa ali ročaja za potisni les ne uporabljate, ga vedno hranite na stroju.

### 2.2.2 Varnostni napotki za laser



**Pozor:**  
**Lasersko sevanje**  
**Ne glejte v laserski žarek**  
**Laserski razred 2**



Zaščitite sebe in Vaše okolje s primernimi varnostnimi ukrepi pred nevarnostjo nezgod.

- Ne glejte neposredno z nezaščitnimi očmi v laserski žarek.
- Nikoli ne glejte neposredno v pot laserskega žarka.
- Laserskega žarka nikoli ne usmerjajte na odbijane površine in osebe ali živali. Tudi laserski žarek majhne moči lahko povzroči poškodbe oči.
- Previdno! Če izvajate druge kot je tukaj navedeno načine postopkov, lahko to privede do nevarnega izpostavljanja sevanju ali obremenitvi zaradi sevanja.
- Nikoli ne odpirajte laserskega modula.

### 2.2.3 Varnostni napotki za baterije

Uporaba baterij

- Zagotovite, da se bo stikalo za laser (35) nahajalo v položaju „0“, preden vstavljate baterije.
- Vstavljanje baterij pri vključenem laserju lahko povzroči nezgodo.
- Zaradi neprimerne uporabe lahko pride do iztekanja baterij. Izogibajte se stiku z baterijsko tekočino. Če bi prišli v stik z baterijsko tekočino, očistite del telesa s tekočo vodo. Če bi prišla baterijska tekočina v oči, morate dodatno poiskati zdravniško

pomoč.

- Iztekajoča baterijska tekočina lahko povzroči draženje kože in opekline.
- Baterij nikoli ne izpostavljajte prekomerni toploti kot npr. sončnim žarkom, ognju ali podobnemu.
- Nikoli ponovno ne polnite baterij, katere za to niso primerne. Nevarnost eksplozije!
- Baterije hranite proč od otrok, ne povezujte jih kratkostično in jih ne razstavljajte.
- Takoj poiščite zdravniško pomoč, če ste pogoltnili baterijo.
- Pred vstavljanjem po potrebi očistite kontakte baterij in naprave.
- Pri vstavljanju pazite na pravilno polariteto.
- Iztrošene baterije nemudoma odstranite iz naprave. Povečana nevarnost iztekanja baterij!
- Zmeraj zamenjajte vse baterije.
- Vstavljajte samo baterije iste vrste, ne uporabljajte različnih vrst baterij ali skupaj rabljenih in novih baterij.
- Zagotovite, da bo naprava po uporabi izključena.
- Odstranite baterije iz naprave, ko naprave ne uporabljate dlje časa

### 2.2.4 Popravila in servisiranje

- Sledeči pogoji lahko vplivajo na učinke hrupa na uporabnika naprave.
  - Vrsta žaginega lista (npr. žagini listi za zmanjševanje vpliva hrupa)
  - Material obdelovanca
  - Moč, s katero obdelovanec potisnete proti žaginemu listu.
- Napake na stroju, vključno z varnostnimi napravami in napake na žaginem listu, je potrebno, takoj ko se odkrijejo, javiti osebi, ki je odgovorna za varnost.

### 2.2.5 Varna uporaba

- Uporabljajte potisni kos ali ročaj s potisnim lesom, da boste varno vodili obdelovanec ob listu žage.
- Pravilno nastavite in uporabljajte režno zagozdo.
- Uporabljajte zgornjo zaščitno pripravo in jo tudi pravilno nastavite.
- Ne izvajajte rezov preko utorov ali zarez brez, da bi nad žagino mizo namestili

ustrezno zaščitno pripravo, kot je n.pr. tunnelska zaščitna priprava.

- Krožne žage se ne smejo uporabljati za zarezovanje (zareza, ki se konča v obdelovancu).
- Uporabljajte le žagine liste, katerih največja dovoljena hitrost ni manjša od maksimalne hitrosti vrtenja vretena namizne krožne žage in hitrosti, ki je zahtevana za obdelovanec, ki namenite obdelovati.
- Pri transportiranju stroja uporabljajte le priprave za transportiranje in nikoli za to ali za rokovanje ne uporabljajte varnostnih priprav.
- Med transportom mora zgornji del žaginega lista biti pokrit, na primer z varnostno pripravo.
- Dobge obdelovance na koncu postopka žaganja zavarujte (npr. pomično dodatno stojalo)!

### 2.2.6 Dodatni napotki

- Varnostna navodila posredujte vsem osebam, ki delajo na tem stroju.
- Žage ne uporabljajte za žaganje drv.
- Okroglega lesa ne žagajte prečno.
- Previdnost! Zaradi vrtečega se žaginega lista obstaja nevarnost poškodovanja rok in prstov.
- Stroj je opremljen z varnostnim stikalom proti ponovnemu vklopu v primeru izgube napetosti.
- Pred prvim zagonom preverite, če se napetost na tipski tablici naprave ujema z omrežno napetostjo.
- Če je potrebno uporabiti električni podaljšek, se prepričajte, da je premer kabla električnega podaljška zadosten za sprejem električnega toka žage. Minimalni presek 1 mm<sup>2</sup>
- Kabelski boben uporabljajte le v odvitem stanju.
- Preverite električni omrežni priključni vodnik. Ne uporabljajte električnih omrežnih priključnih vodnikov, ki so z napako ali poškodovani.
- Oseba, ki uporablja žago, mora biti stara najmanj 18 let. 16 let, vendar le pod nadzorom.
- Na delovnem mestu ne sme biti odpadnega

lesa, okoli pa ne smejo ležati tudi nobeni deli.

- Osebo, ki dela z žago, se ne sme motiti in ji odvracati pozornost.
- Upoštevajte smer vrtenja motorja in žaginega lista.
- Žagine liste v nobenem primeru ne smete po izkopu pogona zavirati tako, da bi na njih izvajali stranski protipritisk.
- Vgrajujte le žagine liste ki so dobro nabrušeni, brez razpok in niso deformirani.
- Varnostnih naprav na stroju se ne sme demontirati ali jih narediti neuporabne.
- Poškodovane žagine liste je takoj potrebno zamenjati.
- Ne uporabljajte žaginih listov, katerih podatki se ne skladajo s podatki, ki so navedeni v teh navodilih za uporabo.
- Zagotoviti morate, da bo vsa oprema, ki zakriva list žage, delovala brezhibno.
- **Pozor:** Vstavnih rezov se s to žago ne sme izvajati.
- Poškodovane ali pomanjkljive zaščitne naprave morate nemudoma zamenjati.
- Režna zagozda je pomembna zaščitna naprava, ki vodi obdelovanec in preprečuje zapiranje reže za žagininim listom in varuje pred vzratnim udarcem obdelovanca. Pazite na debelino režne zagozde. Režna zagozda ne sme biti tanjša od telesa lista žage in ne debelejša od širine rezalne fuge.
- Zaščitni pokrov mora biti spuščen na obdelovanec v vsaki delovni fazi.
- Pri vzdolžnem žaganju ozkih obdelovancev nujno uporabljajte potisni kos (širok manj kot 120 mm).
- Ne žagajte majhnih obdelovancev, ki so premajhni, da bi jih varno držali v rokah.
- Pri prirezovanju ozkih kosov lesa mora biti pritrjen paralelni prislon na desni strani lista žage.
- Delovni položaj je vedno stransko od žaginega lista.
- Stroja ne smete obremeniti tako močno, da bi prišlo do zastoja.
- Zmeraj čvrsto pritiskajte obdelovanec po žagalni mizi.
- Pazite na to, da zobje žaginega lista ne zagrabijo odžaganih lesenih kosov in jih vržejo v stran.



- Po končanem popravilu ali po vzdrževalnih delih je potrebno ponovno montirati vse zaščitne naprave.
- Potrebno se je ravnati po varnostnih, delovnih in vzdrževalnih navodilih proizvajalca, kot tudi upoštevati mere, ki so navedene pod poglavjem "Tehnični Podatki".
- Upoštevati je potrebno zadevne predpise za preprečevanje nesreč in ostale, splošno priznana tehnično varnostna pravila.
- Upoštevajte navodila poklicnega združenja.
- Vsakič, ko delate z namizno krožno žago, vključite napravo za odsesavanje prahu. Upravljalca mora biti seznanjen s pogoji, ki vplivajo na sproščanje prahu, n.pr. vrsta obdelovanega materiala (evidenca in vir), pomen lokalnega odrezovanja in pravilna nastavitve pokrovov/pločevine/vodil.
- Žago uporabljajte samo s primerno opremo za odsesavanje ali z običajnim industrijskim sesalnikom za prah.
- Nikoli ne odstranjajte iver, ostružke ali zagodene kose lesa med tem, ko žagin list deluje.
- Da bi odpravili motnje ali odstranili zagodene lesene kose, stroj izklopite.
  - Potegnite električni omrežni vtičnik iz električne priključne vtičnice -
- Če je žagina reza izbita, je mizni vložek potrebno zamenjati.
  - Potegnite električni omrežni vtičnik iz električne priključne vtičnice -
- To orodje je v skladu z vsemi zadevnimi varnostnimi predpisi.
- Delovno območje vzdržujte v čistem in pospravljenem stanju. Nered in neosvetljena delovna območja lahko privedejo do nezgod.
- Naprave ne izpostavljajte dežju ali vlagi. Vstop vode v električno napravo povečuje tveganje električnega udara.
- Bodite pozorni in pazite na to, kar počnete in dela z električnim orodjem se ločite razumno. Ne uporabljajte naprave, če ste utrujeni ali ste pod vplivom drog, alkohola ali zdravil. Trenutek nepozornosti pri uporabi električnega orodja lahko privede do najhujših poškodb.
- Ne uporabljajte električnega orodja, ki ima pokvarjena stikala. Električno orodje, ki ga ni več možno vključiti ali izključiti, je nevarno in ga je potrebno popraviti.
- Neuporabljano električno orodje shranjujte izven dosega otrok. Ne pustite napravo uporabljati osebam, ki niso seznanjene z napravo ali niso prebrale navodila za uporabo naprave. Električna orodja so nevarna, če jih uporabljajo neizkušene osebe.
- Vaše rezalno orodje vzdržujte v ostrem in čistem stanju. Skrbno negovano rezalno orodje z ostrimi rezalnimi robovi se manj zatika in ga je lažje voditi.
- Če je priključni kabel električnega orodja poškodovan, ga morate zamenjati s posebej izdelanim priključnim kablom, ki ga lahko dobite v servisni službi.
- Vašo napravo dajte na popravilo samo kvalificiranim strokovnjakom in samo z originalnimi nadomestnimi deli. S tem bo zagotovljeno, da boste zagotovili varnost naprave.
  - Stroj morate postaviti v stabilni položaj.
  - Pred prvim zagonom morajo biti vsi pokrovi in varnostne priprave pravilno montirane.
  - Žagin list se mora vrteti brez oviranja.
  - Pri že obdelanem lesu je potrebno paziti na tujke, kot so n.pr. žebliji ali vijaki itd.
  - Preden aktivirate stikalo za vklop/izklop, se prepričajte, da je žagin list pravilno montiran ter, da se premični deli z lahkoto premikajo.
  - Uporabljajte vpenjalne naprave, s katero držite obdelovanca na razdalji. Tako boste ga držali varneje kot pa z rokami.
  - Upoštevajte napotke za mazanje in zamenjavo orodja.
  - Ročaje vzdržujte v suhem stanju in brez prisotnosti olja in maščobe.
  - Ko potisnega kosa ali ročaja za potisni les ne uporabljate, ga vedno hranite na stroju.
  - Ne izvajajte rezov preko utorov ali zarez brez, da bi nad žagino mizo namestili ustrezno zaščitno pripravo, kot je n.pr. tunnelska zaščitna priprava.
  - Med transportom mora zgornji del žaginega lista biti pokrit, na primer z varnostno pripravo.
  - Za prevoz stroja uporabljajte samo transportne ročice, ki so na obeh straneh

SI

naprave v ohišju.

- Zaščitne naprave nikoli ne uporabljajte za rokovanje ali transport.

**Ta varnostna navodila dobro shranite.**

### 3. Opis naprave

1. Žagina miza
2. Zaščita žaginega lista
3. Cev za odsesavanje
4. Režna zagozda
5. Žagin list
6. Mizni vložek
7. Paralelni prislon
8. Ročno kolo
9. Ročaj za nastavljanje in fiksiranje
10. Podnožje
11. Stikalo za vklop/izklop
12. Vodilna tračnica
13. Prečni prislon
14. Razširitev mize
15. Podaljšanje mize
16. Adapter za odsesavanje
17. Potisni kos
18. Nosilne noge
19. Prečne prečnike
20. Vzдолžni prečnik
21. Srednji prečnik, kratek
22. Srednji prečnik, dolgi
23. Gumijaste noge
24. Stojni ročaj
25. Mizni opornik, kratek
26. Mizni opornik, dolg
27. Vijak z krilno matico
28. Vzдолžna luknja v režni zagozdi
29. Vijaki z ugreznjeno glavo
30. Pritrdilni vijak
31. Ekscentrska ročica
32. Utor
33. Narebričeni vijak
34. Laser
35. Stikalo laser
36. Vijaki baterijskega sklopa
37. Pokrov za baterije
38. /39. Pritrdilne točke

### 4. Obseg dobave

- Odprite embalažo in previdno vzemite napravo iz embalaže.
- Odstranite embalažni material in embalažne in transportne varovalne priprave (če obstajajo).
- Preverite, če je obseg dobave popoln.
- Preverite morebitne poškodbe naprave in delov pribora, do katerih bi lahko prišlo med transportom.
- Po možnosti shranite embalažo do poteka garancijskega roka.

#### POZOR

**Naprava in embalažni material nista igrača za otroke! Otroci se ne smejo igrati s plastičnimi vrečkami, folijo in malimi deli opreme! Obstaja nevarnost zadržitve in zaužitja takšnih delov materiala!**

- Originalna navodila za uporabo
- Miza za žago z montiranimi žaginimi listi iz trde kovine in 24 zobci
- Žagin list z 48 zobci iz trde kovine
- Zaščita žaginega lista
- Cev za odsesavanje
- Cepilna zagozda z laserjem
- Baterije 1,5 V AAA (2x)
- Paralelni prislon
- Prislonsko vodilo
- Prečni prislon
- Razširjenje mize (2x)
- Podaljšanje mize
- Potisni kos
- Nosilne noge (4x)
- Prečni prečnik (2x)
- Vzдолžni prečnik (2x)
- Srednji prečnik, kratek (2x)
- Srednji prečnik, dolg (2x)
- Gumijaste noge (4x)
- Stojni lok (2x)
- Mizni opornik kratek (4x)
- Mizni opornik dolg (2x)

**Montažni material**

- a) Podložka M6 (52x)
- b) Matica (38x)
- c) Šesterorobni vijak (52x)
- d) Inbus vijak (6x)
- n) Zaporni vijak (2x)
- u) Podložka M5 (6x)
- v) Varovalna objemka

**Orodje**

- r) Viličasti ključ 10/13
- s) Očesni ključ 10/24
- t) Inbus ključ 4 mm

**5. Predpisana namenska uporaba**

Namizna krožna žaga je namenjena za vzdolžno in prečno žaganje (le s prečnim prislonom) lesa vseh vrst, primernih za velikost te žage. Okroglega lesa oz. hlodovine se s to žago **ne sme** žagati.

Napravo je dovoljeno uporabljati samo za namene, za katere je bila izdelana. Vsaka druga uporaba šteje kot nenamenska nedovoljena uporaba. Za kakršnekoli poškodbe ali škodo, ki bi nastale zaradi nedovoljene uporabe, nosi odgovornost uporabnik/upravljalec in ne proizvajalec.

Prosimo, da upoštevate, da naše naprave niso bile konstruirane za namene uporabe v obrtništvu ali industriji. Ne prevzemamo nobene odgovornosti, če je bila naprava uporabljena v obrtništvu ali industriji ter v podobnih dejavnostih.

Uporabljajo se lahko le ustrezni žagini listi (HM-ali CV-žagini listi). Uporaba HSS-žaginih listov in rezalnih plošč vseh vrst je prepovedana. Del smotrne namenske uporabe je tudi upoštevanje varnostnih navodil, kot tudi navodil za montažo in navodil za upravljanje, ki so v navodilih za uporabo.

Osebe, ki ta stroj upravljajo in vzdržujejo, morajo biti seznanjeni s temi navodili in biti

poučeno o možnih nevarnostih. Poleg tega pa se je treba točno držati vseh veljavnih predpisov za preprečevanje nesreč. Potrebno je upoštevati tudi ostala splošna pravila v delovnem medicinskem in varnostno tehničnem področju. Spremembe stroja istočasno izključujejo jamstvo proizvajalca in jamstvo za napake, ki nastanejo zaradi tega. Kljub smotrni namenski uporabi pa se ne morejo popolnoma odstraniti določeni faktorji preostalega tveganja. Zaradi konstrukcije in postavitve stroja lahko nastopijo naslednja tveganja:

- Dotikanje žaginega lista na tistem delu, ki ni pokrit.
- Poseganje v vrteč se žagin list (nevarnost vreznine)
- Povratni udarec obdelovanca ali delov obdelovanca.
- Lomi žaginega lista.
- Izmetavanje poškodovanih delov trdine žaginega lista.
- Poškodba sluha pri neuporabi glušnikov.
- Zdravju škodljive emisije prahu pri uporabi v zaprtih prostorih.

**6. Tehnični podatki**

Motor na izmenični tok	230-240 V ~ 50 Hz
Moč P	S6 40 % 1700 W
Število vrtljajev v prostem teku $n_0$	6500 min <sup>-1</sup>
Žagin list iz trde kovine	Ø 250 x Ø 30
Število zob	24/48
Velikost mize	610 x 445 mm
Razširitev mize levo/desno	608 x 250 mm
Podaljšanje mize zadaj	435 x 320 mm
Rezalna višina maks.	73 mm / 90° 63 mm / 45°
Brezstopenjska nastavitev višine	0 - 73 mm
Žagin list brezstopenjsko premičen	0° - 45°
Sesalni priključek	ca. Ø 36 mm
Teža z podnožjem vključno s snemljivimi deli:	ca. 28,5 kg

SI

**Način delovanja S6:**

Čas delovanja merjenja/čas mirovanja merjenja (4 min. vklop/6 min. izklop)

Da ne bi nedopustno pregrevali motorja, smete namizno krožno žago uporabljati na sledeče načine:

Po času obratovanja 4 minut (S 6 = 40 %) pri normalni dopustni obremenitvi mora slediti pavza 6 minut tako, da krožna žaga dela v prostem teku, da se ohladi.

**Vrednosti hrupne emisije**

Vrednosti hrupa so bile ugotovljene v skladu z EN 61029.

	Prosti tek
Nivo zvočnega tlaka $L_{pA}$	101,0 dB (A)
Negotovost $K_{pA}$	3 dB
Nivo zvočne moči $L_{WA}$	111,0 dB (A)
Negotovost $K_{WA}$	3 dB

**Uporabljajte zaščito za ušesa.**

Učinkovanje hrupa lahko povzroči izgubo sluha.

Navedeni podatki so emisijske vrednosti in ni nujno, da obenem predstavljajo tudi zanesljive vrednosti na delovnem mestu. Čeprav obstaja korelacija med emisijskim in imisijskim nivojem, se iz tega ne da z zanesljivostjo ugotoviti, če so potrebni dodatni varnostni ukrepi. Dejavniki, kateri lahko vplivajo na takratni, na delovnem mestu obstajajoči nivo imisije, vsebujejo čas: vplivanja, svojevrstnost prostora, druge vire hrupa itd., n. pr. število strojev in drugih sosednjih procesov. Zanesljivi podatki za delovno mesto lahko variirajo od države do države. Ta informacija pa naj omogoči uporabniku, da bolje oceni nevarnost in tveganje.

**Omejite razvijanje hrupa in vibracij na minimum!**

- Uporabljajte samo brezhibne naprave.
- Redno vzdržujte in čistite napravo.
- Način dela prilagodite napravi.
- Ne preobremenjujte naprave.
- Po potrebi dajte napravo na preverjanje.
- Izključite napravo, ko je ne uporabljate.

60

**7. Pred prvim zagonom**

- Preden stroj priklopite se prepričajte, da se podatki, ki so navedeni na tipski tablici, ujemajo z omrežnimi podatki.
- Stroj priključite samo na pravilno nameščeno vtičnico z zaščitnim kontaktom, ki je opremljena z varovalko vsaj 10 A.
- Zmeraj izvlecite električni priključni vtikač preden začnete izvajati nastavitve.
- Razpakirajte namizno krožno žago in jo pregledajte glede eventualnih poškodb zaradi transporta.
- Stroj je potrebno postaviti stabilno, t.j. na delovni pult ali pa priviti na fiksno podnožje.
- Pred prvim zagonom morajo biti vsi pokrovi in varnostne priprave pravilno montirane.
- Žagin list se mora vrteti brez oviranja.
- Pri že obdelanem lesu je potrebno paziti na tujke, kot so n.pr. žebliji ali vijaki itd.
- Preden aktivirate stikalo za vklop/izklop, se prepričajte, da je žagin list pravilno montiran ter, da se premični deli z lahkoto premikajo.

**8. Montaža**

**Pozor! Pred vsakim vzdrževalnim, predelovalnim in montažnim deli na krožni žagi je potrebno prvo potegniti električni vtikač iz električne priključne vtičnice.**

**8.1 Montaža podnožja (sliki 4-9)**

- Namizno krožno žago obrnite in jo položite na tla.
- Štiri nosilne noge (18) rahlo privijate na žago s šestrobnimi vijaki (c) in podloškami (a) (slika 5).
- Sedaj rahlo privijate vzdolžno prečko (20) in prečno prečko (19) ter štiri srednje prečke (21,22) s šestrobnimi vijaki (c), podloškami (a) in maticami (b) na nosilne noge (sliki 6-7).
- Pri tem le rahlo privijte šestrobne vijake (c) in matice (b).  
**Pozor:** Daljše opornike je potrebno uporabiti ob strani.
- Samo gumijaste noge (23) namestite na stojne noge (slika 8).

- Na luknjah privijačite v zadnje nosilne noge stojni log (24) z vsakič po 2 šestrobniha vijakom (c), podložkami (a) in maticami (b) (slika 9).

**Pozor!**

**Oba stojna loka morata biti na hrbtni strani stroja pritrjena na pritrtilnih točkah 38 in 39!**

- Na koncu zategnite vse vijake in matice na podnožju.

### 8.2 Montaža delov za razširitev in podaljšanje mize (slike 10-14)

- Razširitev mize (14) in podaljšanje mize (15) rahlo pritrдите na mizo za žaganje (1) s pomočjo imbus vijakov (d) in podložk (u) (slika 10-12). Za montažo razširitve mize uporabljajte zadnje luknje (ki so obrnjene podaljšanju mize).
- Mizna opornika (25, 26) rahlo privijačite na ohišju mizne krožne žage s šestrobnimi vijaki (c) in podložkami (u). Tudi mizne opornike (25, 26) je treba rahlo privijačiti na razširitvi oz. Podaljšanju mize s šestrobnimi vijaki (c), podložkami (a) in maticami (b). (kratki oporniki (25) za razširitev, dolgi oporniki (26) za podaljšanje) (slika 13-14).
- Žago obrnite s podnožjem in jo postavite na tla.
- Razširitev in podaljšanje mize poravnajte z mizo za žago (1).
- Na koncu zategnite vse vijake.

### 8.3 Montaža/demontaža zaščite žaginega lista (slika 2, 15-16)

- Pred prvo montažo morate vstaviti baterije laserja (glejte 9.9).
- Pri prvi montaži morate najprej montirati in nastaviti cepilno zagozdo (4). Ravnajete, kot je opisano v točki 8.5.
- Zaščito lista žage (2) namestite skupaj z vijakom (27) od zgoraj na režno zagozdo (4) tako, da se bo vijak čvrsto nahajal v dolgi luknji (28).
- Vijaka (27) ne privijte premočno; zaščita žaginega lista se mora ostati prosto premična.
- Cev za odsesavanje (3) natakните na adapter za odsesavanje (16) in sesalni nastavek zaščite lista žage (2) in privijte

z varovalno objemko (v) na adapterju za odsesavanje (16). Priključite primerno napravo za odsesavanje žagovine na adapter za odsesavanje (16).

- Demontaža poteka v obratnem vrstnem redu.

**Pozor!**

**Pred pričetkom žaganja je potrebno zaščito žaginega lista (2) spustiti na material, ki ga namenite žagati.**

### 8.4 Zamenjava miznega vložka (slika 17-18)

- V primeru obrabe ali poškodbe je mizni vložek (6) potrebno zamenjati, drugače obstaja povečana nevarnost za poškodbe.
- Snemite zaščito lista žage (2) (glej 8.3)
- Odstranite 2 vijaka z ugreznjeno glavo (29).
- Izvzemite obrabljeni mizni vložek (6).
- Montaža novega miznega vložka poteka v obratnem vrstnem redu.

### 8.5 Nastavitev režne zagozde (slika 19-20)

- **Pozor! Potegnite električni omrežni vtičak iz električne priključne vtičnice.**
- Nastavitev žaginega lista (5) preverite po vsaki menjavi žaginega lista.
- Žagin list (5) nastavite na maksimalno globino žaganja, postavite v položaj 0° in ga aretirajte (glej 9.2).
- Demontirajte zaščito lista žage (2) (glej 8.3)
- Izvzemite mizni vložek (6) (glej 8.4)
- Odpustite pritrtilni vijak (30).
- Režno zagozdo (4) potisnite navzgor tako, da bo razmak med žagino mizo (1) in zgornjim robom režne zagozde (4) znašal ca. 10 cm.
- Razmak med žaginim listom (5) in režno zagozdo (4) naj znaša 5 mm (slika 20).
- Pritrdilni vijak (30) ponovno pritegnite in montirajte mizni vložek (6) (glejte 8.4).
- Spet montirajte ščit žaginega lista (2) (glejte 8.3).

## 8.6 Montaža/zamenjava žaginega lista (slika 21)

- **Pozor! Potegnite električni omrežni vtičnik iz električne priključne vtičnice in nosite rokavice za zaščito rok.**
- Demontirajte zaščito lista žage (2) (glej 8.3)
- Odvijte dva vijaka z ugreznjeno glavo in odstranite mizni vložek (6) (glej 8.4)
- Odvijte matico tako, da na matico nastavite ključ (SW 24) in drugi viličasti ključ (SW 10) nastavite na motorno gred ter ga držite proti.
- **Pozor!** Matico odvijajte v smeri rotacije žaginega lista.
- Snemite zunanjo prirobnico in stari žagin list poševno proti dol potegnute z notranje prirobnice.
- Prirobnico žaginega lista pred montažo novega žaginega lista skrbno očistite.
- Nov žagin list v obratnem vrstnem redu ponovno vstavite in privijete.
- **Pozor! Upoštevajte smer vrtenja, rezalna stran zob mora biti obrnjena v smer vrtenja, t.j. kazati v smeri naprej (glej puščico na zaščiti žaginega lista)**
- Ponovno montirajte vložek (6) ter zaščito lista žage (2) in izvršite nastavitvev (glej 8.3, 8.4)
- Preden z žago ponovno pričnete delati, je potrebno preveriti tehnično uporabnost zaščitnih naprav.

## 9. Upravljanje

### 9.1. Stikalo za vklop/izklop (slika 22/pol. 11)

- Žago lahko vklopite s pritiskom na zeleno tipko „I“. Pred pričetkom žaganja počakajte, da žagin list doseže maksimalno število obratov.
- Da bi žago ponovno izklopili, je potrebno pritisniti rdečo tipko „0“.

### 9.2. Globina rezanja (slika 22)

- Z vrtenjem naravnalne ročice (8) lahko žagin list (5) nastavite na želeno globino reza.

Proti smeri urinega kazalca: večja globina rezanja

V smeri urinega kazalca: manjša globina rezanja

### 9.3. Nastavitev kota (slika 22)

- Odvijte ročaj za naravnanje in fiksiranje (9)
- Z vrtenjem ročaja lahko nastavite želeno kotno mero na skali.
- Ročaj za naravnanje in fiksiranje aretirajte v želenem kotnem položaju.

### 9.4 Paralelni prislon

#### 9.4.1. Prislonska višina (slike 23-26)

- Prislonsko vodilo (e) paralelnega prislona (7) ima dve različni višinski vodilni površini.
- Glede na debelino rezanega materiala je potrebno uporabiti prislonsko vodilo (e) po sliki 25, za debeli material (nad 25 mm debeline obdelovanca) in po sliki 26 za tanki material (pod 25 mm debeline obdelovanca).

#### 9.4.2. Obračanje prislonskega vodila (slike 23-26)

- Za obračanje prislonskega vodila (e) najprej odvijte krilnate matice (f).
- Sedaj lahko snamete prislonsko vodilo (e) z vodilne tirnice (h) in ga z odgovarjajočim vodilom ponovno potisnete preko tirnice.
- Ponovno zategnite krilnate matice (f).

#### 9.4.3 Širina rezanja (slike 26 -28)

- Pri podolžnem žaganju lesenih delov je potrebno uporabljati vzporedni prislon (7).
- Paralelni prislon mora biti montirani na desni strani lista žage (5).
- Paralelni prislon namestite od zgoraj na vodilno tirnico za paralelni prislon (12) (slika 26).
- Na vodilni tirnici za paralelni prislon (12) se nahajata 2 skali (j/k), ki prikazujeta razmak med prislonskim vodilom (e) in listom žage

(5) (slika 27).

- Izberite ustrezno skalo glede na to, če je prislonska tirnica (g) obrnjena za obdelavo debelega ali tankega materiala:

Visoka prislonska tirnica (debeli material): skala j

Visoka prislonska tirnica (debeli material): skala k

- Paralelni prislon (7) nastavite na zeleno mero na okencu (l) in fiksirajte z ekscentersko ročico za paralelni prislon (31).

#### 9.4.4 Nastavitev prislonske dolžine (slika 29)

- Da bi preprečili zatikanje materiala za rezanje, se da prislonsko vodilo (e) premikati po dolgem.
- Zlato pravilo: Zadnji konec prislona trči na zamišljeno linijo, ki se prične približno pri sredini žaginega lista in poteka pod 45° in proti nazaj.
- Nastavite potrebno širino reza:
- Odvijte narebričene vijake (f) in prislonsko vodilo (e) potisnite tako daleč naprej, da se dotakne namišljene 45° linije.
- Ponovno zategnite krilnate matice (f).

#### 9.5 Nastavljanje paralelnega prislona (slika 30)

- List žage (5) nastavite na največjo globino rezanja (glej tudi točko 9.2).
- Paralelni prislon (7) nastavite tako, da se bo prislonsko vodilo (e) dotikalo lista žage (za nastavitev za debeli material glej tudi točko 9.4).
- Če paralelni prislon (7) ne poteka v liniji z listom žage (5), odvijte vijake (m) tako daleč, da boste lahko paralelni prislon (7) naravnali vzporedno z listom žage (5) (slika 30).
- Ponovno zategnite vijake (m).

#### 9.6 Prečni prislon (slika 31-32)

- Prečni prislon (13) potisnite v utor (32) žagine mize.
- Odvijte narebričeni vijak (33).
- Prečni prislon (13) obračajte, dokler ni nastavljena zelena kotna mera. Brazda (w) kaže nastavljen kot.
- Narebričeni vijak (33) ponovno privijte.
- Pri prerezovanju večjih delov obdelovanca, se prečni naslon (13) da podaljšati z vodilom (e) paralelnega prislona (7) (slika 32).
- Da bi prečni prislon (13) podaljšali s prislonsko vodilo (e), morate vzeti prislonsko vodilo (e), vodilo (h) in krilnate matice (f) skupaj s podložko s paralelnega prislona (7). Sedaj montirajte prislonsko tirnico kot je prikazano na sliki 32 in v ta namen uporabite zaklopne vijake (n).

#### Pozor!

- Prislonsko vodilo (e) ne potisnite predaleč v smeri žaginega lista.
- Razmak med prislonskim vodilom (e) in žaganim listom (5) naj znaša pribl. 2 cm.

#### 9.7 Nastavljanje skale prečnega prislona (slika 33)

- Prislonski kotnik 90° pristavite na list žage (5).
- Povežite prečni prislon (13) s prislonsko tirnico (e) paralelnega prislona (7) (glej tudi točko 9.4).
- Odvijte narebričeni vijak (33) prečnega prislona (13).
- Prečni prislon (13) namestite tako, da se bo prislonska tirnica nahajala pod kotom 90° do lista žage (5). Sedaj natančno naravnajte prečni prislon s pomočjo kotnika 90° do lista žage in ponovno zategnite narebričeni vijak (33).
- Preverite, če se prečni prislon nahaja točno pod kotom 90°. Če temu ni tako, postopajte na sledeči način:
  - Oba vijaka (o), s katerima je skala (p) prečnega prislona (13) pritrjena, odvijte toliko, da bo možno skalo nastaviti v pravilni položaj.
  - Sedaj ponovno zategnite vijaka (o).

### 9.8 Nastavljanje skale na mizi žage (slike 28; 34)

- Zagotovite, da bo paralelni prislon (7) nameščen v liniji z listom žage (5) (glej tudi točko 9.5).
- Paralelni prislon nastavite tako, da se bo prislonska tirnica dotikala lista žage (5) (za nastavitve za debeli material glej tudi točko 9.4).
- Vijak (q), s katerim je skala (j; k) montirana na vodilni tirnici (12), odvijte za približno 2 obrata.
- Skalo (j/k) nastavite tako, da se bo črtica na kontrolnem steklu (l) paralelnega prislona (7) skladala z ničelno linijo skale (j).
- Ponovno zategnite vijake (q).

### 9.9 Uporaba laserja (slike 35-38)

- Laser (34) Vam dovoljuje izvajati z Vašo krožno žago precizno rezanje.
- Lasersko svetlobo proizvaja dioda, ki jo napajata dve bateriji. Laserska svetloba se razširi v laserski žarek in izstopa iz laserske izstopne odprtine. Laserski žarek lahko potem uporabljate kot optično označevanje linije rezanja pri natančnih rezih. Upoštevajte varnostne napotke za laser.
- Vstavljanje baterij:
  - Odstranite zaščito lista žage (2) (glej 8.3). Laser je montirani na režni zagozdi (4) in je sedaj enostavno dostopen.
  - Postavite stikalo za vklop/izklop laserja (35) v položaj 0 (laser izključen).
  - Da odstranite pokrov s predala za baterije (37) odpustite vijake (36) in tako obračajte držalne plošče, pritrjene na vijakih, da pokrov predala za baterije (37) več ne blokira. Sedaj odprite pokrov predala za baterije (37) navzgor.
  - Vstavite baterije, pri tem pazite na pravilno polariteto (glej sliko 37).
  - Ponovno namestite pokrov baterijskega sklopa (37) in ga pritrdite z vijaki (36).
- Ponovno montirajte zaščito lista žage (2).
- Vklop laserja: Stikalo za vklop/izklop laserja (35) postavite na 0. Stikalo laserja vklop/izklop (35) je pri montiranem ščitu za list žage (2) lahko dostopno skozi odprtino v njem (slika 38). Iz izstopne odprtine laserja se sedaj projicira rdeči laserski

žarek. Če med žaganjem vodite laserski žarek vzdolž označbe za linijo rezanja, Vam bo uspelo natančno rezanje.

- Izklop laserja: Stikalo za vklop/izklop laserja (35) postavite na 0. Laserski žarek ugasne. Prosimo, da zmeraj izključite laser, ko ga ne rabite, da varčujete z baterijami.
- Lahko pride do blokade laserskega žarka zaradi nakopičenega prahu in žagovine. Po vsaki uporabi odstranite te delce (naprava je izključena) od izstopne odprtine za laser.
- Opombe glede baterij: če laserja ne uporabljate dlje časa, vzemite materije ven iz baterijskega prostora. Iztekanje baterijske tekočine bi lahko poškodovalo napravo.
- Baterij ne odlagajte na grelna telesa in jih ne izpostavljajte dlje časa močni sončni svetlobi; temperature nad 50° bi lahko poškodovale napravo.

### 9.10 Nastavljanje paralelnega prislona (slika 35)

Če laser (34) več ne kaže pravilne rezalne linije, ga lahko ponovno nastavite. V ta namen odprite vijake (z) in laser s stranskim potiskanjem nastavite tako, da pada laserski žarki na rezalne zobce žaginega lista (5).

## 10. Obratovanje

### Pozor!!

- Priporočamo, da po vsaki novi nastavitvi izvedete poizkusni rez, da bi preverili nastavitvene mere.
- Po vklopu žage počakajte, da žagin list doseže maksimalno število obratov in šele potem poizkusite izvesti rez.
- Pozor pri vrezovanju!
- Napravo uporabljajte samo z odsesavanjem.
- Redno preverjajte in čistite kanale za odsesavanje.
- Primernost listov žage:
  - 24 zob: mehki materiali, mnogo žagovine, grobo rezanje
  - 48 zob: trdi materiali, malo žagovine, fino rezanje



**10.1 Izvajanje vzdolžnih rezov (slika 39)**

Pri tem se obdelovanec prereže vzdolžno. En rob obdelovanca držite pritisnjen ob paralelni prslon (7) med tem, ko ravna stran nalega na žagino mizo (1). Zaščita žaginega lista (2) mora ves čas biti spuščena na obdelovanec.

Delovni položaj ne sme nikoli biti v liniji z linijo poteka žaganja.

- Paralelni prslon (7) nastavite na tako, da bo ustrezal višini obdelovanca in zeleni širini (glej 9.4).
- Vklonite žago
- Roke z zaprtimi prsti položite na obdelovanec in obdelovanec vzdolž paralelnega prislona (7) potisnite v žagin list (5).
- Stransko vodenje z levo ali desno roko (glede na položaji paralelnega prislona) le do sprednjega roba zaščitnega pokrova (2).
- Obdelovanec vedno porinite do konca režne zagozde (4).
- Odpad žaganja ostane na žagini mizi (1), dokler žagin list (5) spet ne miruje.
- Dobge obdelovance na koncu postopka žaganja zavarujte! (n.pr. odvajalno stojalo itn.)

**10.1.1 Rezanje ozkih obdelovancev (slika 40)**

Vzdolžno rezanje ozkih obdelovancev, katerih širina je manjša od 120 mm, je **nujno potrebno** izvesti s pomočjo potisnega kosa (17). Potisni kos je zajet v obsegu dobave. **Obrabljen oz. poškodovan potisni kos je potrebno takoj zamenjati.**

**10.1.2 Rezanje ozkih obdelovancev (slika 41)**

- Za vzdolžno rezanje zelo ozkih obdelovancev, katerih širina znaša 30 mm ali manj, je nujno potrebno uporabiti potisni les.
- Pri tem je potrebno dajati prednost manjši vodilni površini paralelnega prislona.
- **Potisni les ni zajet v obsegu dobave! (dobi se v zadevni specializirani trgovini) Obrabljeni potisni les pravočasno zamenjajte.**

**10.1.3 Izvajanje prečnih rezov (slika 42)**

Prečni rezi se načeloma izvajajo z uporabo vzporednega prislona (7).

- Žagin list (5) nastavite na zeleno kotno mero (glej 9.3).
- Paralelni prslon (7) nastavite glede na širino in višino obdelovanca (glej 9.3)
- Rezanje izvajajte odgovarjajoče širini obdelovanca (glej 10.1.1 in 10.1.2).

**10.2 Izvajanje prečnih rezov (slika 31, 43)**

- Prečni prslon (13) potisnite v oba utora (32) žagine mize in ga nastavite na zeleno kotno mero (glej 9.6). V primeru, da dodatno poševno postavite žagin list (5), je potrebno uporabiti utor (32), ki ne dopušča, da bi Vaša roka in prečni prslon prišla v kontakt z zaščito žaginega lista.
- Eventualno uporabite prslonsko vodilo (e).
- Obdelovanec močno pritisnite ob prečni prslon (13).
- Vklonite žago.
- Da bi izvedli rez, je prečni prslon (13) in obdelovanec potrebno potiskati v smeri žaginega lista.

**■ Pozor:**

**Vedno držite trdno tisti del obdelovanca, ki ga vodite in ne tisti del, ki ga namenite odžagati.**

- Prečni prslon (13) vedno potisnite tako daleč naprej, da bo obdelovanec popolnoma prerezan.
- Žago ponovno izklopite. Odpad od žaganja odstranite šele, ko se žagin list popolnoma ustavi.

**10.3 Rezanje ivernih plošč**

Da bi preprečili trganje rezanih robov pri rezanju ivernih plošč, mora biti list žage (5) nastavljen največ 5 mm nad debelino obdelovanca (glej tudi točko 9.2).

## 11. Menjava priključka za omrežje

Če se priključek za omrežje te naprave poškoduje, ga mora zamenjati izdelovalec, izdelovalčev servis za stranke ali druga ustrezno usposobljena oseba, da ne pride do nevarnih situacij.

## 12. Čiščenje, vzdrževanje, skladiščenje, transport in naročanje nadomestnih delov

Pred izvajanjem vsakega čistilnega dela izvlecite električni priključni kabel.

### 12.1 Čiščenje

- Zaščitno opremo, zračne reže in ohišje motorja vzdržujte kar se le da v stanju brez prisotnosti prahu in umazanije. Napravo obrišite s suho krpo ali s komprimiranim zrakom pod nizkim pritiskom.
- Priporočamo, da napravo očistite neposredno po vsakem končanem delu.
- Redno čistite napravo z vlažno krpo in nekaj milnice. Ne uporabljajte nobenih čistilnih ali razredčilnih sredstev; le-ta lahko poškodujejo plastične dele naprave. Pazite na to, da ne pride voda v notranjost naprave.

### 12.2 Ogljikove ščetke

V primeru prekomernega iskrenja dajte preveriti ogljene ščetke elektro strokovnjaku. Pozor! Ogljene ščetke sme zamenjati samo elektro strokovnjak.

### 12.3 Vzdrževanje

V notranjosti naprave ni nobenih delov, ki bi jih bilo potrebno vzdrževati.

### 12.4 Skladiščenje

Napravo in pribor za napravo skladiščite na temnem, suhem in pred mrazom zaščitenem in za otroke nedostopnem mestu. Optimalna skladiščna temperatura je med 5 in 30 °C. Električno orodje shranjujte v originalni embalaži.

### 12.5 Transport

- Za prevoz stroja uporabljajte samo transportne ročice (slika 44), ki so na obeh straneh naprave v ohišju.
- Napravo zavarujte pred zdrsom, zato jo varno privežite.
- Zaščitne naprave nikoli ne uporabljajte za rokovanje ali transport.

### 12.6 Naročanje nadomestnih delov

Pri naročanju nadomestnih delov je potrebno navesti naslednje navedbe:

- Tip naprave
  - Art. številko naprave
  - Ident- številko naprave
- Aktualne cene in informacije najdete na spletni strani [www.isc-gmbh.info](http://www.isc-gmbh.info)

## 13. Odstranjevanje in ponovna uporaba

Naprava se nahaja v embalaži, da ne bi prišlo do poškodb med transportom. Ta embalaža je surovina in s tem ponovno uporabna ali pa jo je možno reciklirati. Naprava in njen pribor sta izdelana iz različnih materialov kot npr. kovine in plastika. Pokvarjene sestavne dele odstranite med posebne odpadke. V ta namen povprašajte v tehnični trgovini ali na občinski upravi!



Samo za dežele EU

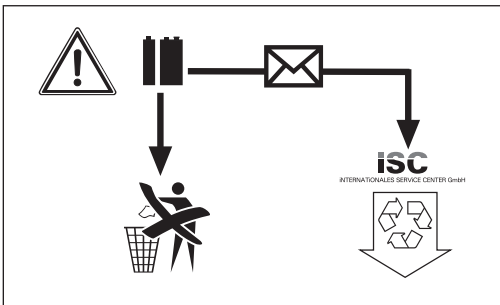
Električnega orodja ne mečite med gospodinjske odpadke!

V skladu z evropsko smernico 2002/96/EG o starih električnih in elektronskih napravah in v skladu z izvajanjem nacionalne zakonodaje

morate ločeno zbirati izrabljena električna orodja in jih predati v okoljsko varno ponovno predelavo.

Reciklažna alternativa za poziv za vračanje: Lastnik električne naprave je alternativno zavezan, da namesto vračanja sodeluje pri strokovno ustreznem recikliranju v primeru predaje lastnine. Staro napravo se lahko v ta namen tudi prepusti na odvzemnem mestu, ki izvaja odstranjevanje v smislu nacionalne zakonodaje o odstranjevanju takšnih odpadkov. To ne velja za opremo ali pripomočke brez električnih sestavnih delov, ki so priloženi starim napravam.

Baterije vsebujejo okolju škodljive snovi. Baterij ne mečite med gospodinske odpadke, v ogenj ali v vodo. Baterije morate odstranjevati tako, da jih zbirate, reciklirate ali odstranite v skladu s predpisi o varovanju okolja. Stare baterije pošljite iSC GmbH, Eschenstraße 6, D-94405 Landau. Tam bo zagotovljeno strokovno ustrezno odstranjevanje.



SI

## 14. Izjava o skladnosti

Einhell Germany AG · Wiesenweg 22 · D-94405 Landau/Isar



## Konformitätserklärung

- erklärt folgende Konformität gemäß EU-Richtlinie und Normen für Artikel  
 explains the following conformity according to EU directives and norms for the following product  
 déclare la conformité suivante selon la directive CE et les normes concernant l'article  
 dichiara la seguente conformità secondo la direttiva UE e le norme per l'articolo  
 verklaart de volgende overeenstemming conform EU richtlijn en normen voor het product  
 declara la siguiente conformidad a tenor de la directiva y normas de la UE para el artículo  
 declara a seguinte conformidade, de acordo com a directiva CE e normas para o artigo  
 atterer følgende overensstemmelse i medfør af EU-direktiv samt standarder for artikel  
 förklarar följande överensstämmelse enl. EU-direktiv och standarder för artikeln  
 vakuuttaa, että tuote täyttää EU-direktiivin ja standardien vaatimukset  
 töendab toote vastavust EL direktiivile ja standarditele  
 vydává následující prohlášení o shodě podle směrnice EU a norem pro výrobek  
 potrjuje sledečo skladnost s smernico EU in standardi za izdelek  
 vydáva nasledujúce prehlásenie o zhode podľa smernice EÚ a noriem pre výrobok  
 a cikkekez az EU-irányvonal és Normák szerint a következő konformitást jelenti ki  
 deklaruje zgodność wymienionego poniżej artykułu z następującymi normami na podstawie dyrektywy WE.  
 декларира съответното съответствие съгласно Директива на ЕС и норми за артикул  
 paskaidro šādu atbilstību ES direktīvai un standartiem  
 apibūdina šj atitikimą EU reikalavimams ir prekės normoms  
 declară următoarea conformitate conform directivei UE și normelor pentru articolul  
 δηλώνει την ακόλουθη συμμόρφωση σύμφωνα με την Οδηγία ΕΚ και τα πρότυπα για το προϊόν  
 potvrđuje sljedeću usklađenost prema smjernicama EU i normama za artikl  
 potvrđuje sljedeću usklađenost prema smjernicama EU i normama za artikl  
 potvrđuje sledeću usklađenost prema smernicama EZ i normama za artikal  
 следующим удостоверяется, что следующие продукты соответствуют директивам и нормам ЕС  
 проголошує про зазначену нижче відповідність виробу директивам та стандартам ЄС на виріб  
 ja izjavува следната сообрзност согласно EУ-директивата и нормите за артикли  
 Ürünü ile ilgili AB direktifleri ve normları gereğince aşağıda açıklanan uygunluğu belirtir  
 erklærer følgende samsvar i henhold til EU-direktivet og standarder for artikkel  
 Lýsir uppfyllingu EU-reglna og annarra staða vöru

## Tischkreissäge PTK 1700 A1 (Parkside)

- 2009/105/EC  
 2006/95/EC  
 2006/28/EC  
 2005/32/EC  
 2004/108/EC  
 2004/22/EC  
 1999/5/EC  
 97/23/EC  
 90/396/EC  
 89/686/EC\_96/58/EC
- 2006/42/EC  
 Annex IV  
 Notified Body: TÜV Rheinland LGA Products GmbH  
 Tillystraße 2, 90431 Nürnberg, Germany  
 Notified Body No.: 0197  
 Reg. No.: BM 50179485 0001
- 2000/14/EC\_2005/88/EC  
 Annex V  
 Annex VI  
 Noise: measured  $L_{WA}$  = dB (A); guaranteed  $L_{WA}$  = dB (A)  
 P = KW; L/Ø = cm  
 Notified Body:
- 2004/26/EC  
 Emission No.:

Standard references: EN 61029-1; EN 61029-2-1; EN 55014-1;  
EN 55014-2; EN 61000-3-2; EN 61000-3-3

Landau/Isar, den 29.01.2010

*[Signature]*  
Weichselgartner/General Manager

*[Signature]*  
Wentao/Product-Management

First CE: 10  
Art.-No.: 43.406.87 I.-No.: 11010  
Subject to change without notice

Archive-File/Record: 4340690-39-4177400-08  
Documents registrar: Siegfried Roider  
Wiesenweg 22, D-94405 Landau/Isar

# 15. GARANCIJSKI LIST

## Spoštovana stranka!

Naši proizvodi podležejo strogi kontroli kakovosti. Če ta naprava kljub temu ne bi delovala brezhibno, to zelo obžalujemo in Vas prosimo, da se obrnete na našo servisno službo na naslov, ki je naveden spodaj na tem garancijskem listu. Z veseljem smo Vam na voljo tudi telefonsko na navedeno servisno klicno številko. Za uveljavljanje garancijskih zahtevkov velja sledeče:

1. Le-ti garancijski pogoji urejajo dodatne garancijske storitve. Vaši zakonski garancijski zahtevki ostanejo s to garancijo nespremenjeni. Naše garancijske storitve so za Vas brezplačne.
  2. Garancijske storitve obsegajo izključno samo pomanjkljivosti zaradi napak v materialih in izdelavi in so omejene na odpravo takšnih pomanjkljivosti oziroma na zamenjavo naprave. Prosimo, da upoštevate, da naše naprave niso konstruirane za uporabo v obrtništvu ali industriji. Garancijska pogodba zato ne pride v poštev, če se naprava uporablja v obrtništvu ali v industrijskih obratih ali v podobnih dejavnostih. Poleg tega ne obsega naša garancija nadomestil za transportne poškodbe, škodo zaradi neupoštevanja navodil za montažo ali zaradi nestrokovne inštalacije, neupoštevanja navodil za uporabo (kot n. pr. priklop na napačno omrežno napetost ali vrsto toka), pretirana ali nepravilna uporaba (kot n. pr. preobremenitev naprave ali uporaba nedovoljenih orodij ali pribora), neupoštevanje predpisov za vzdrževanje in varnostnih predpisov, vstop tujih predmetov v napravo (kot n. pr. pesek, kamenje ali prah), uporaba sile ali tuji vplivi (kot n. pr. poškodbe zaradi padca naprave) ter običajna obraba naprave zaradi uporabe. To velja še posebej za akumulatorje, za katere vendarle dajemo garancijski rok 12 mesecev.
- Veljavnost garancijskih zahtevkov ugasne, če so bili na npravi že izvajani posegi.
3. Garancijska doba znaša 3 leti in začne teči z dnevom nakupa naprave. Garancijske zahtevke morate uveljavljati pred potekom garancijske dobe v sveh tednih potem ko ste ugotovili napako. Uveljavljanje garancijskih zahtevkov po poteku garancijske dobe je izključeno. Popravilo ali zamenjava naprave ne privede do podaljšanja garancijske dobe, niti se ne postavi nova garancijska doba zaradi takšnih storitev ali zaradi eventualno vgrajenih nadomestnih delov. To velja tudi za servisne storitve na licu mesta.
  4. Za uveljavljanje Vašega garancijskega zahtevka nam pošljite pokvarjeno napravo brez poštnine na spodaj navedeni naslov. Priložite original računa ob nakupu ali drugo potrdilo kot dokazilo o nakupu z datumom nakupa. Zato prosimo, da dobro shranite račun kot dokazilo o nakupu! Prosimo, da nam po možnosti natančno opišete vzroke reklamacije. Če napaka izpolnjuje naše garancijske pogoje, boste nemudoma dobili nazaj popravljeno ali novo napravo.

Seveda bomo proti plačilu stroškov odpravili tudi napake na napravi, katere ne spadajo v obseg garancije ali jih garancija več ne zajema. V takšnem primeru prosimo, da pošljete napravo na naslov naše servisne službe.

**GMA-Elektromechanika d.o.o**  
Cesta Andreja Bitenca 115  
SLO 1000 Ljubljana  
Tel 01/5838304 · Fax 01/5183803

**CZ**

<b>Obsah</b>	<b>Strana</b>
1. Úvod .....	72
2. Bezpečnostní pokyny .....	72-77
3. Popis přístroje .....	77
4. Rozsah dodávky .....	77-78
5. Použití podle účelu určení .....	78
6. Technická data .....	78-79
7. Před uvedením do provozu .....	79
8. Montáž .....	80-81
9. Obsluha .....	81-83
10. Provoz .....	84-85
11. Výměna síťového napájecího vedení .....	85
12. Čištění, údržba, uložení, transport a objednání náhradních dílů .....	85
13. Likvidace a recyklace .....	85-86
14. Prohlášení o shodě .....	87
15. Záruční list .....	88

Patisk nebo jiné rozmnožování dokumentace a průvodních listin, také ve výtažcích, je přípustný pouze s výslovným souhlasem firmy ISC GmbH.

70

Technické změny vyhrazeny

## Vysvětlení symbolů na přístroji



„VAROVÁNÍ - Ke snížení rizika zranění si přečíst návod k obsluze”



**Noste ochranu sluchu.**

Působení hluku může způsobit ztrátu sluchu.



**Noste ochrannou masku proti prachu.**

Při zpracování dřeva a jiných materiálů může vznikat zdraví škodlivý prach. Materiál obsahující azbest nesmí být opracováván!



**Noste ochranné brýle.**

Jiskry vznikající při práci nebo odštěpky dřeva, třísky a prachy vystupující z přístroje mohou způsobit ztrátu viditelnosti.



**Noste ochranné rukavice.**

Při manipulaci s pilovými kotouči se musí neustále nosit ochranné rukavice.



**Pozor! Nebezpečí zranění!**

Nesahat na běžící pilový kotouč!

CZ

## 1. Úvod

### ⚠ **Pozor!**

Při používání přístrojů musí být dodržována určitá bezpečnostní opatření, aby se zabránilo zraněním a škodám. Přečtěte si proto pečlivě tento návod k obsluze / bezpečnostní pokyny. Dobře si ho/je uložte, abyste měli tyto informace kdykoliv po ruce. Pokud předáte přístroj jiným osobám, předejte s ním prosím i tento návod k obsluze / bezpečnostní pokyny. Nepřebíráme žádné ručení za škody a úrazy vzniklé v důsledku nedodržování tohoto návodu k obsluze a bezpečnostních pokynů.

## 2. Bezpečnostní pokyny

### ⚠ **VAROVÁNÍ**

**Přečtěte si všechny bezpečnostní pokyny a instrukce.** Zanedbání při dodržování bezpečnostních pokynů a instrukcí mohou mít za následek úder elektrickým proudem, požár a/nebo těžká zranění.

**Všechny bezpečnostní pokyny a instrukce si uložte pro budoucí použití.**

### 2.1 Všeobecné bezpečnostní pokyny k elektrickým přístrojům

**Pozor! Při použití elektrických přístrojů je třeba na ochranu proti úderu elektrickým proudem, nebezpečí úrazu a požáru dbát následujících bezpečnostních opatření. Přečtěte si a dbejte těchto pokynů, ještě než začnete přístroj používat.**

#### 1. Udržujte pracoviště v pořádku

Nepořádek na pracovišti představuje nebezpečí úrazu.

#### 2. Zohledněte vlivy prostředí

Nevystavujte elektrické nářadí dešti. Nepoužívejte elektrické nářadí ve vlhkém nebo mokřém prostředí. Postarejte se o dobré osvětlení. Nepoužívejte elektrické nářadí v blízkosti hořlavých kapalin nebo plynů.

#### 3. **Chraňte se před úderem elektrickým proudem**

Vyhýbejte se tělesnému kontaktu s uzemněnými částmi např. rourami, topnými tělesy, sporáky, ledničkami.

#### 4. **Nepouštějte do blízkosti dětí!**

Nenechte jiné osoby dotýkat se nářadí nebo kabelu, nepouštějte je na své pracoviště.

#### 5. **Nářadí uschovávejte bezpečně**

Nepoužívané nářadí musí být uloženo na suchém, uzamčeném místě a mimo dosah dětí.

#### 6. **Nářadí nepřetěžujte**

Lépe a bezpečněji se pracuje v uvedeném rozsahu výkonu.

#### 7. **Používejte správné nářadí**

Na těžké práce nepoužívejte moc slabé nářadí nebo přídatné nářadí.

Nepoužívejte nářadí k účelům a na práce, na které není určeno; například nepoužívejte ruční kotoučovou pilu na kácení stromů nebo ořezávání větví.

#### 8. **Noste vhodné pracovní oblečení**

Nenoste široké oblečení nebo šperky. Mohly by být zachyceny pohyblivými částmi. Při práci ve volném prostoru jsou vhodné gumové rukavice a pevná neklouzavá obuv. V případě dlouhých vlasů noste vlasovou síťku.

#### 9. **Noste ochranné brýle**

Při prašných pracích používejte ochrannou dýchací masku.

#### 10. **Nepoužívejte kabel na účely, pro které není určen**

Nenoste nářadí za kabel a nepoužívejte ho na vytažení zástrčky ze zásuvky. Chraňte kabel před horkem, olejem a ostrými hranami.

#### 11. **Obrobek zajistěte**

Na držení obrobku používejte upínací zařízení nebo svěrák. Je tak držen bezpečněji než Vaší rukou a kromě toho máte obě ruce volné na ovládání stroje.

#### 12. **Abnormálně neprodlužujte Vaše stanoviště**

Vyhýbejte se abnormálnímu držení těla. Zajistěte vždy bezpečný postoj a udržujte v každém okamžiku rovnováhu.

#### 13. **Nářadí pečlivě ošetřujte**

Udržujte nářadí stále čisté a ostré, abyste



mohli dobře a bezpečně pracovat.

Dodržujte předpisy pro údržbu a pokyny k výměně náradí. Pravidelně kontrolujte zástrčku a kabel a v případě poškození je nechte obnovit autorizovaným odborníkem. Pravidelně kontrolujte prodlužovací kabely a poškozené nahraďte. Udržujte rukojeti suché a prosté oleje a tuku.

#### 14. Vytáhněte síťovou zástrčku

Při nepoužívání přístroje, před údržbou a při výměně nástrojů jako např. při výměně pilového kotouče, vrtáku a strojních nástrojů všeho druhu.

#### 15. Nenechte zastrčené žádné klíče pro náradí

Před zapnutím překontrolujte, jestli jsou klíče a nastavovací nástroje odstraněny.

#### 16. Vyhněte se nechtěnému náběhu

Nenoste náradí připojené na síť s prstem na vypínači. Při připojování na síť se přesvědčte, že je vypínač vypnut.

#### 17. Prodlužovací kabel ve volném prostoru

Ve volném prostoru používejte pouze pro to schválené a příslušně označené prodlužovací kabely.

#### 18. Buďte stále pozorní

Pozorujte svoji práci! Pracujte rozumně. Nepoužívejte náradí, když jste nekoncentrovaní.

#### 19. Zkontrolujte Váš přístroj, zda není poškozen

Před dalším použitím náradí musí být pečlivě překontrolována bezvadná a řádná funkce ochranných zařízení nebo lehce poškozených částí. Překontrolujte, zda je v pořádku bezvadná funkce pohyblivých částí, jestli neuvázly nebo jestli nejsou části poškozeny. Všechny části musí být správně namontovány, aby byla zajištěna bezpečnost přístroje.

Poškozená bezpečnostní zařízení a díly musí být řádně opraveny nebo vyměněny v dílně zákaznického servisu, pokud není v návodu k použití uvedeno jinak. Poškozené vypínače musí být nahrazeny v dílně zákaznického servisu. Nepoužívejte přístroje, u kterých nelze za- a vypnout vypínač.

#### 20. Pozor!

Z důvodů vlastní bezpečnosti používejte pouze příslušenství nebo přídatné přístroje, které jsou uvedeny v návodu k obsluze nebo byly výrobcem doporučeny nebo uvedeny. Používání jiných přídatných přístrojů nebo příslušenství, které nejsou doporučeny v návodu k obsluze nebo katalogu, může pro Vás osobně znamenat nebezpečí zranění.

#### 21. Opravy pouze odborným elektrikářem

Toto elektrické náradí odpovídá příslušným bezpečnostním ustanovením. Opravy smí provádět pouze odborný elektrikář, v jiném případě nelze vyloučit úrazy provozovatele.

#### 22. Připojte zařízení na odsávání prachu

Pokud jsou k dispozici zařízení na připojení zařízení na odsávání prachu, přesvědčte se, zda jsou tato připojena a používána.

### 2.2 Speciální bezpečnostní pokyny

#### 2.2.1 Bezpečnostní opatření

- Deformované pilové kotouče nebo pilové kotouče s trhlinami nesmí být používány.
- Opotřebovanou vložku stolu vyměnit.
- Používat pouze výrobcem doporučené pilové kotouče, které odpovídají normě EN 847-1. Při výměně pilového kotouče dbát na to, aby nebyla šířka řezu menší a základní tloušťka kotouče větší než tloušťka roztahovacího klínu.
- Dbát na to, aby byl vybrán pilový kotouč vhodný pro řezaný materiál.
- Pokud je to nutné, noste vhodné osobní ochranné vybavení. To může obsahovat:
  - Ochranu sluchu ke snížení rizika poškození sluchu;
  - Ochranu dýchacích cest ke snížení rizika vdechnutí nebezpečného prachu.
  - Při manipulaci s pilovými kotouči a hrubými materiály nosit rukavice.
- Při řezání dřeva je třeba kotoučové pily připojit na zařízení na zachytávání prachu. Následující faktory mohou ovlivnit uvolňování prachu:
  - Opotřebované, poškozené pilové kotouče nebo pilové kotouče s trhlinami

CZ

- Doporučený odsávací výkon odsávacího zařízení: 20 m/s
- Obrobek by měl být veden řádně.
- Pilové kotouče z vysoce legované rychlořezné oceli (ocel HSS) se nesmí používat.
- Posuvná tyč nebo rukojeť pro posuvné dřevo by měly být při jejich nepoužívání uloženy vždy na přístroji.

### 2.2.2 Bezpečnostní pokyny k laseru



**Pozor:**  
**Laserové záření**  
**Nedívat se do paprsku**  
**Třída laseru 2**

**Achtung**  
**Laserstrahlung**  
**Nicht in den Strahl blicken!**

Laserspezifikation  
nach EN 60825-1  
Laser Klasse 2 RLM-08  
λ: 650 nm P: ≤ 1 mW

Chraňte sebe a své okolí vhodnými bezpečnostními opatřeními před nebezpečím úrazu.

- Nedívat se nechráněnými očima přímo do laserového paprsku.
- Nedívat se nikdy přímo do dráhy paprsků.
- Laserový paprsek nikdy nesměrovat na reflektující plochy a na osoby nebo zvířata. Také laserový paprsek s nízkým výkonem může vážně poškodit oko.
- Pozor - pokud jsou prováděny jiné, než zde uvedené postupy, může to vést k nebezpečnému vystavení paprskům nebo zatížení paprsky.
- Nikdy neotvírat laserový modul.

### 2.2.3 Bezpečnostní pokyny k bateriím

Používání baterií

- Než vložíte do přístroje baterie, přesvědčte se, že se za-/vypínač laseru (35) nachází v poloze "0".
- Vložení baterií při zapnutém laseru může vést k úrazům.
- Při nevhodném používání může dojít k

vytečení baterií. Vyvarujte se kontaktu s tekutinou z baterie. Pokud byste se měli dostat do kontaktu s tekutinou z baterie, vyčistěte postiženou část těla pod tekoucí vodou. Pokud by se tekutina baterie dostala do očí, měli byste dodatečně vyhledat lékaře.

- Vyteklá tekutina z baterie může vést k podráždění kůže a k popáleninám.
- Nikdy baterie nevystavujte nadměrnému teplu jako slunečním paprskům, ohni nebo podobným zdrojům.
- Nikdy nenabíjejte znovu baterie, které k tomu nejsou určeny. Nebezpečí výbuchu!
- Nedávejte baterie do blízkosti dětí, nezkratujte je nebo je nerozebírejte.
- Vyhledejte ihned lékaře, pokud byla baterie spolknuta.
- V případě potřeby vyčistěte kontakty baterií a přístroje před jejich vložením.
- Při vložení dbejte na správnou polaritu.
- Odstraňte okamžitě vybité baterie z přístroje. Hrozí nebezpečí vytečení.
- Vždy vyměňte všechny baterie současně.
- Vložte pouze baterie stejného typu, nepoužívejte odlišné typy nebo nemíchejte použité a nové baterie.
- Přesvědčte se, že je přístroj po použití vypnut.
- Při delším nepoužívání odstraňte baterie z přístroje.

### 2.2.4 Údržba a servis

- Následující podmínky mohou ovlivnit vlivy hluku na obsluhující osobu.
  - Druh pilového kotouče (např. pilové kotouče ke snížení působení hluku)
  - Materiál obrobku
  - Síla, kterou je obrobek posouván proti pilovému kotouči.
- Poruchy na stroji, včetně ochranných zařízení a pilového kotouče, je třeba ihned po jejich objevení nahlásit osobě zodpovědné za bezpečnost.

### 2.2.5 Bezpečný provoz

- Aby bylo možné vést obrobek bezpečně podél pilového kotouče, používat posuvnou tyč nebo rukojeť pro posuvné dřevo.
- Používat a správně nastavit roztahovací klín.
- Používat a správně nastavit horní ochranu pilového kotouče.
- Polodrážky a drážky provádět pouze tehdy, když je nad stolem pily umístěno vhodné ochranné zařízení, jako např. tunelové ochranné zařízení.
- Kotoučové pily nesmí být používány na čepování (v obrobku ukončená drážka).
- Používat pouze pilové kotouče, jejichž nejvyšší přípustná rychlost není menší než maximální rychlost včetně kotoučové pily a řezaného materiálu.
- Při transportu stroje používat pouze dopravní zařízení a nikdy nepoužívat pro manipulaci nebo transport ochranná zařízení.
- Během transportu by měla být horní část pilového kotouče zakryta, například ochranným zařízením.
- Dlouhé obrobky zajistit proti přepadnutí na konci řezání (např. odvalovací stojan).

### 2.2.6 Dodatečné pokyny

- Předajte bezpečnostní pokyny všem dalším osobám, které se strojem pracují.
- Nepoužívejte pilu k řezání palivového dříví.
- Neprovádějte příčné řezy kulatiny.
- Pozor! Rotující pilový kotouč představuje nebezpečí pro ruce a prsty.
- Stroj je vybaven bezpečnostním spínačem proti opětovnému spuštění po poklesu napětí.
- Před uvedením do provozu překontrolujte, zda souhlasí napětí uvedené na typovém štítku přístroje s napětím sítě.
- Jestliže je potřeba prodlužovací kabel, přesvědčte se, jestli jeho průřez dostahuje pro příkon proudu pily. Minimální průřez 1 mm<sup>2</sup>.
- Kabelový buben používat pouze v odvinutém stavu.
- Překontrolujte síťové napájecí vedení. Nepoužívejte vadná nebo poškozená napájecí vedení.
- Obsluhující osobě musí být minimálně 18

let, učňům min. 16 let, avšak pouze pod dohledem.

- Pracoviště udržujte bez dřevních odpadů a povalujících se dílů.
- Osoby pracující se strojem nesmí být rozptylovány.
- Dbejte na směr otáčení motoru a pilového kotouče.
- Pilové kotouče nesmí být v žádném případě po vypnutí pohonu zabrzděny postranním protitlakem.
- Používejte pouze ostré a nezdeformované pilové kotouče bez trhlin.
- Bezpečnostní zařízení na stroji nesmí být demontována nebo vyřazena z provozu.
- Vadné pilové kotouče musí být ihned vyměněny.
- Nepoužívejte pilové kotouče, které neodpovídají parametrům uvedeným v tomto návodu k použití.
- Je třeba zajistit, aby všechna zařízení, která zakrývají pilový kotouč, bezvadně pracovala.
- **Pozor:** nasazovací řezy nesmí být s touto pilou prováděny.
- Poškozená nebo vadná ochranná zařízení musí být neprodleně vyměněna.
- Roztahovací klín je důležité ochranné zařízení, které vede obrobek a zabraňuje uzavírání řezné spáry za pilovým kotoučem a zpětnému vrhání obrobku. Dbejte na sílu roztahovacího klínu. Roztahovací klín nesmí být slabší než těleso pilového kotouče a silnější než šířka jeho řezné spáry.
- Při každém pracovním kroku musí být ochranný kryt sklopen na obrobek.
- Při podélném řezání úzkých obrobků bezpodmínečně používejte posuvnou tyč (šířka menší než 120 mm).
- Neřežte obrobky, které jsou moc malé na to, abyste je mohli bezpečně držet v ruce.
- Při řezání úzkých kusů dřeva musí být paralelní doraz upnut na pravé straně pilového kotouče.
- Pracovní poloha vždy stranou pilového kotouče.
- Stroj nezatěžovat tak dalece, aby se zastavil.
- Tlačte obrobek vždy pevně proti stolu pily.
- Dbejte na to, aby odříznuté kusy dřeva

nebyly zachyceny a odmrštěny ozubeným věncem pilového kotouče.

- Veškerá ochranná a bezpečnostní zařízení musí být po ukončené opravě nebo údržbě ihned znovu namontována.
- Musí být dodržovány bezpečnostní, pracovní a údržbářské pokyny výrobce a také rozměry uvedené v Technických datech.
- Je třeba dbát příslušných bezpečnostních předpisů a jiných, všeobecně platných bezpečnostně technických pravidel.
- Dbát brožurek s informacemi oborové profesní organizace.
- Při každé činnosti připojte zařízení na odsávání prachu. Obsluhující osoba musí být informována o podmínkách ovlivňujících uvolňování prachu, např. druh opracovávaného materiálu (zachycení a zdroj), o významu lokálního odlučování a o správném nastavení krytů/vodicích plechů/vedení.
- Pilu provozovat pouze s vhodným odsávacím zařízením nebo s běžným průmyslovým vysavačem.
- Nikdy neodstraňujte volné odštěpky dřeva, třísky nebo uváznuté kusy dřeva při běžícím pilovém kotouči.
- K opravení poruch nebo odstranění uváznutých kusů dřeva stroj vypnout.  
- Vytáhnout síťovou zástrčku -
- Při vytlučené řezné spáře vložku stolu obnovit.  
- Vytáhnout síťovou zástrčku -
- Toto nářadí odpovídá příslušným bezpečnostním ustanovením.
- Udržujte pracoviště čisté a uklizené. Nepořádek a neosvětlené pracovní oblasti mohou vést k úrazům.
- Nevystavujte přístroj dešti nebo vlhku. Vniknutí vody do elektrického přístroje zvyšuje riziko úderu elektrickým proudem.
- Buďte pozorní, dbejte na to, co děláte a pracujte při práci s elektrickým nářadím rozumně. Nepoužívejte přístroj, pokud jste unaveni nebo pod vlivem drog, alkoholu nebo léků. Moment nepozornosti může při používání elektrického nářadí vést k vážným zraněním.
- Nepoužívejte elektrické nářadí s defektním

vypínačem. Elektrické nářadí, které se nedá za- nebo vypnout je nebezpečné a musí být opraveno.

- Nepoužívané elektrické nářadí skladujte mimo dosah dětí. Nedovolte používat přístroj osobám, které nejsou s přístrojem obeznámeny nebo nečetly tyto pokyny. Elektrické nářadí je nebezpečné, pokud je používáno nezkušenými osobami.
- Udržujte řezné nástroje ostré a čisté. Řádně udržované řezné nástroje s ostrými ostřími méně vážnou a nechají se lépe vodit.
- Pokud je napájecí vedení elektrického nářadí poškozeno, musí být nahrazeno speciálně upraveným napájecím vedením, které je k dostání v zákaznickém servisu.
- Nechte přístroj opravovat pouze kvalifikovaným odborným personálem a pouze za použití originálních náhradních dílů. Tím je zabezpečeno, že zůstane zachována bezpečnost přístroje.
- Stroj musí být stabilně postaven.
- Před uvedením do provozu musí být všechny kryty a bezpečnostní zařízení správně namontovány.
- Pilový kotouč musí být volně otočný.
- U již opracovaného dřeva dbát na cizí tělesa jako např. hřebíky nebo šrouby atd.
- Před zapnutím za-/vypínače se ujistěte, zda je pilový kotouč správně namontován a zkontrolujte volný chod pohyblivých částí.
- Na držení obrobku používejte upínací zařízení. Je tak držen bezpečněji než Vaší rukou.
- Dodržujte pokyny k mazání a výměně nástroje.
- Udržujte rukojeti suché, čisté a prosté oleje a tuku.
- Posuvná tyč nebo rukojeť pro posuvné dřevo by měly být při jejich nepoužívání uloženy vždy na přístroji.
- Polodrážky a drážky provádět pouze tehdy, když je nad stolem pily umístěno vhodné ochranné zařízení, jako např. tunelové ochranné zařízení.
- Během transportu by měla být horní část pilového kotouče zakryta, například ochranným zařízením.
- K transportu stroje používejte prosím pouze přepravní rukojeti, které jsou na obou

stranách vyříznuty do krytu přístroje.

- Nikdy nepoužívejte ochranná zařízení k manipulaci nebo transportu.

**Tyto bezpečnostní pokyny si dobře uložte**

### 3. Popis přístroje

1. Stůl pily
2. Ochrana pilového kotouče
3. Odsávací hadice
4. Roztahovací klín
5. Pilový kotouč
6. Vložka stolu
7. Paralelní doraz
8. Ruční kolo
9. Nastavovací a zajišťovací rukojeť
10. Podstavec
11. Za-/vypínač
12. Vodicí lišta
13. Příčný doraz
14. Rozšíření stolu
15. Prodloužení stolu
16. Odsávací adaptér
17. Posuvná tyč
18. Nohy
19. Příčné příčky
20. Podélné příčky
21. Střední příčky, krátké
22. Střední příčky, dlouhé
23. Gumové botky
24. Opěrný prvek
25. Vzpěry stolu, krátké
26. Vzpěry stolu, dlouhé
27. Šroub s křídlovou maticí
28. Podélný otvor v roztahovacím klínu
29. Šrouby se zapuštěnou hlavou
30. Upevňovací šroub
31. Excentrická páčka
32. Drážka
33. Rýhovaný šroub
34. Laser
35. Vypínač laseru
36. Šrouby přihrádky na baterie
37. Kryt baterií
38. /39. Upevňovací body

### 4. Rozsah dodávky

- Otevřete balení a přístroj opatrně vyjměte z balení.
- Odstraňte obalový materiál a ochrany balení / dopravní pojistky (jsou-li k dispozici).
- Překontrolujte, zda je rozsah dodávky úplný.
- Zkontrolujte přístroj a příslušenství, zda nebyly při přepravě poškozeny.
- Balení si pokud možno uložte až do uplynutí záruční doby.

#### POZOR

**Přístroj a obalový materiál nejsou dětská hračka! Děti si nesmějí hrát s plastovými sáčky, fóliemi a malými díly! Hrozí nebezpečí spolknutí a udušení!**

- Originální návod k obsluze
- Stůl pily s předmontovaným, pilovým kotoučem z tvrdokovu, 24 zubů
- Pilový kotouč z tvrdokovu, 48 zubů
- Ochrana pilového kotouče
- Odsávací hadice
- Roztahovací klín s laserem
- Baterie 1,5 V AAA (2x)
- Paralelní doraz
- Dorazová lišta
- Příčný doraz
- Rozšíření stolu (2x)
- Prodloužení stolu
- Posuvná tyč
- Nohy (4x)
- Příčné příčky (2x)
- Podélné příčky (2x)
- Střední příčky, krátké (2x)
- Střední příčky, dlouhé (2x)
- Gumové nohy (4x)
- Opěrný prvek (2x)
- Vzpěry stolu, krátké (4x)
- Vzpěry stolu, dlouhé (2x)

**CZ****Montážní materiál**

- a) Podložka M6 (52x)
- b) Matice (38x)
- c) Šroub se šestihrannou hlavou (52x)
- d) Imbusový šroub (6x)
- n) Zámkový šroub (2x)
- u) Podložka M5 (6x)
- v) Pojistná spona

**Nářadí**

- r) Rozvidlený klíč 10/13
- s) Očkový klíč 10/24
- t) Imbusový klíč 4 mm

**5. Použití podle účelu určení**

Stolní kotoučová pila slouží k podélnému a příčnému řezání (pouze s příčným dorazem) dřeva všeho druhu, odpovídajíc velikosti stroje. Kulatina všeho druhu **nesmí** být řezána.

Přístroj smí být používán pouze podle svého účelu určení. Každé další, toto překračující použití, neodpovídá použití podle účelu určení. Za z toho vyplývající škody nebo zranění všeho druhu ručí uživatel/obsluhující osoba a ne výrobce.

Dbejte prosím na to, že naše přístroje nebyly podle svého účelu určení konstruovány pro živnostenské, řemeslnické nebo průmyslové použití. Nepřebíráme žádné ručení, pokud je přístroj používán v živnostenských, řemeslných nebo průmyslových podnicích a při srovnatelných činnostech.

Používat se smí pouze pro stroj vhodné pilové kotouče (pilové kotouče z tvrdokovu nebo CV). Použití pilových kotoučů z vysoce výkonné rychlořezné oceli (HSS) a dělicích kotoučů všech druhů je zakázáno. Součástí použití podle účelu určení je také dbát bezpečnostních pokynů, tak jako návodu k montáži a provozních pokynů v návodu k obsluze.

Osoby, které stroj obsluhují a udržují, musí být s tímto seznámeny a být poučeny o možných nebezpečích. Kromě toho musí být co

nejpřísněji dodržovány platné předpisy k předcházení úrazům. Dále je třeba dodržovat ostatní všeobecná pravidla v pracovních a bezpečnostně technických oblastech. Změny na stroji zcela vylučují ručení výrobce a z toho vzniklé škody. I přes použití podle účelu určení nelze zcela vyloučit určité zbývající rizikové faktory. Podmíněna konstrukcí a uspořádáním stroje se mohou vyskytnout následující rizika:

- Dotknutí se pilového kotouče v nezakryté části pily.
- Sáhnutí do běžícího pilového kotouče (řezné zranění)
- Zpětný vrh obrobků a jejich částí.
- Zlomení pilového kotouče.
- Vylétnutí vadných tvrdokovových částí pilového kotouče.
- Poškození sluchu při nepoužívání potřebné ochrany sluchu.
- Zdraví škodlivé emise dřevního prachu při používání v uzavřených místnostech.

**6. Technická data**

Motor na střídavý proud	230-240 V ~ 50 Hz
Výkon P	S6 40% 1700 W
Počet otáček naprázdno $n_0$	6500 min <sup>-1</sup>
Pilový kotouč z tvrdokovu	Ø 250 x Ø 30
Počet zubů	24/48
Velikost stolu	610 x 445 mm
Rozšíření stolu levé/pravé	608 x 250 mm
Prodloužení stolu vzadu	435 x 320 mm
Hloubka řezu max.	73 mm / 90° 63 mm / 45°
Výškové nastavení plynule	0 - 73 mm
Pilový kotouč výkyvný plynule	0° - 45°
Přípojka odsávání cca	Ø 36 mm
Hmotnost s podstavcem včetně odnímatelných částí:	cca 28,5 kg

**Druh provozu S6:**

Měřená doba provozu/měřená doba klidu (4 min. zap./6 min. vyp.)

Aby se motor nepřipustně nezahřál, smí být stolní kotoučová pila provozována pouze následovně:

Po jednom provozním cyklu v délce 4 minut (S 6 = 40%) při normálním přípustném zatížení, musí následovat přestávka 6 minut, ve které kotoučová pila běží naprázdno.

**Hodnoty emise hluku**

Hluk změřen podle normy EN 61029.

Chod naprázdno

Hladina akustického tlaku $L_{pA}$	101,0 dB(A)
Nejistota $K_{pA}$	3 dB
Hladina akustického výkonu $L_{WA}$	111,0 dB(A)
Nejistota $K_{WA}$	3 dB

**Noste ochranu sluchu.**

Působení hluku může způsobit ztrátu sluchu.

Udané hodnoty jsou emisní hodnoty a nemusí tím současně představovat také bezpečné hodnoty na pracovišti. Přestože existuje korelace mezi emisními a imisními hladinami, nelze z toho spolehlivě odvodit, zda jsou nutná dodatečná preventivní bezpečnostní opatření, nebo ne. Faktory, které mohou ovlivnit současnou, na pracovišti existující imisní hladinu, obsahují délku působení, zvláštnosti pracovní místnosti, jiné zdroje hluku atd., např. počet strojů a jiných sousedních procesů. Bezpečné hodnoty pracoviště se mohou také odlišovat od jedné země k druhé. Tato informace má ale přesto uživateli pomoci, aby mohl lépe odhadnout nebezpečí a rizika.

**Omezte tvorbu hluku a vibrace na minimum!**

- Používejte pouze přístroje v bezvadném stavu.
- Pravidelně provádějte údržbu a čištění přístroje.
- Přizpůsobte Váš způsob práce přístroji.
- Nepřetěžujte přístroj.
- V případě potřeby nechte přístroj zkontrolovat.
- Přístroj vypněte, pokud ho nepoužíváte.

**7. Před uvedením do provozu**

- Před připojením se ujistěte, zda údaje na typovém štítku souhlasí s údaji sítě.
- Přístroj připojte pouze na řádně instalovanou zásuvku s ochranným kolíkem, která je jištěna 10 A.
- Než začnete na přístroji provádět nastavení, vždy vytáhněte síťovou zástrčku ze zásuvky.
- Stolní kotoučovou pilu vybalit a překontrolovat, zda nevykazuje eventuelní dopravní škody.
- Stroj musí být stabilně postaven, tzn. přišroubován na pracovním stole nebo pevném podstavci.
- Před uvedením do provozu musí být všechny kryty a bezpečnostní zařízení správně namontovány.
- Pilový kotouč musí být volně otočný.
- U již opracovaného dřeva dbát na cizí tělesa jako např. hřebíky nebo šrouby atd.
- Před zapnutím za-/vypínače se ujistěte, zda je pilový kotouč správně namontován a zkontrolujte volný chod pohyblivých částí.

## 8. Montáž

**Pozor! Před všemi údržbovými, přezbrojovacími a montážními pracemi na kotoučové pile vytáhnout síťovou zástrčku.**

### 8.1 Montáž podstavce (obr. 4-9)

- Stolní kotoučovou pilu otočit a položit na zem.
- Čtyři nohy (18) volně našroubovat na pilu pomocí šroubů se šestihrannou hlavou (c) a podložek (a) (obr. 5).
- Nyní volně našroubovat podélné (20) a příčné příčky (19) a také střední příčky (21, 22) na nohy pomocí šroubů se šestihrannou hlavou (c), příložek (a) a matic (b) (obr. 6-7).
- Přitom pouze lehce utáhnout šrouby se šestihrannou hlavou (c) a matice (b).  
**Pozor:** Delší příčky musí být použity na stranách.
- Nyní nasunout gumové botky (23) na nohy (obr. 8).
- Do otvorů na zadní nohy našroubovat opěrné prvky (24) pomocí vždy 2 šroubů se šestihrannou hlavou (c), příložek (a) a matic (obr. 9).  
**Pozor!**  
**Oba opěrné prvky musí být upevněny na zadní straně stroje na upevňovacích bodech 38 a 39!**
- Poté utáhnout všechny šrouby a matice podstavce.

### 8.2 Montáž rozšíření a prodloužení stolu (obr. 10-14)

- Rozšíření (14) a prodloužení stolu (15) volně upevnit na stole pily (1) pomocí imbusových šroubů (d) a podložek (u) (obr. 10-12). K montáži rozšíření stolu použijte zadní otvory (která přiléhají k prodloužení stolu).
- Vzpěry stolu (25, 26) volně našroubovat na kryt stolní kotoučové pily pomocí šroubů se šestihrannou hlavou (c) a podložek (u). Stejně tak musí být vzpěry stolu (25, 26) volně našroubovány také na rozšiřovací resp. prodlužovací stůl pomocí šroubů se šestihrannou hlavou (c), podložky (a) a matice (b) (krátké vzpěry (25) na rozšíření,

dlouhé vzpěry (26) na prodloužení) (obr. 13-14).

- Pilu s podstavcem otočit a postavit na zem.
- Rozšíření a prodloužení stolu vyrovnat se stolem pily (1).
- Nakonec všechny šrouby pevně utáhnout.

### 8.3 Montáž / demontáž ochrany pilového kotouče (obr. 2, 15-16)

- Před montáží musí být vloženy baterie laseru (viz 9.9).
- Při první montáži musí být nejdříve namontován a nastaven roztahovací klín (4). Postupujte tak, jak je popsáno v odstavci 8.5.
- Ochranu pilového kotouče (2) včetně šroubu (27) nasadit shora na roztahovací klín (4) tak, aby šroub seděl pevně v podélném otvoru (28).
- Šroub (27) neutahovat moc pevně; ochrana pilového kotouče musí zůstat volně pohyblivá.
- Odsávací hadici (3) nastrčit na odsávací adaptér (16) a odsávací hrdlo ochrany pilového kotouče (2) a přišroubovat pojistnými sponami (v) na odsávací adaptér (16). Připojit vhodné odsávací zařízení třísek na odsávací adaptér (16).
- Demontáž se provádí v opačném pořadí.  
**Pozor!**  
**Před začátkem řezání musí být ochrana pilového kotouče (2) sklopena na řezaný materiál.**

### 8.4 Výměna vložky stolu (obr. 17-18)

- Při opotřebení nebo poškození je třeba vložku stolu (6) vyměnit, v jiném případě hrozí zvýšené nebezpečí zranění.
- Ochranu pilového kotouče (2) sejmout (viz 8.3)
- Odstranit 2 šrouby se zapuštěnou hlavou (29).
- Opotřebovanou vložku stolu (6) vyjmout.
- Montáž nové vložky stolu se provádí v opačném pořadí.



### 8.5 Nastavení roztahovacího klínu (obr. 19-20)

- **Pozor! Vytáhnout síťovou zástrčku**
- Nastavení pilového kotouče (5) musí být po každé výměně kotouče překontrolováno.
- Pilový kotouč (5) nastavit na max. hloubku řezu, nastavit do polohy 0° a zaaretovat (viz 9.2).
- Demontovat ochranu pilového kotouče (2) (viz 8.3)
- Vložku stolu (6) vyjmout (viz 8.4.)
- Povolit upevňovací šroub (30).
- Roztahovací klín (4) posunout směrem nahoru, až je vzdálenost mezi stolem pily (1) a horní hranou roztahovacího klínu (4) cca 10 cm.
- Vzdálenost mezi pilovým kotoučem (5) a roztahovacím klínem (4) má být max. 5 mm (obr. 20).
- Upevňovací šroub (30) opět utáhnout a namontovat vložku stolu (6) (viz 8.4).
- Namontovat opět ochranu pilového kotouče (2) (viz 8.3).

### 8.6 Montáž/výměna pilového kotouče (obr. 21)

- **Pozor! Vytáhnout síťovou zástrčku a nosit ochranné rukavice.**
- Demontovat ochranu pilového kotouče (2) (viz 8.3)
- Vložku stolu odstranit povolením dvou šroubů se zapuštěnou hlavou (viz 8.4)
- Matici uvolnit tak, že se jeden klíč nasadí (vel. 24) na matici a druhý rozvidlený klíč (vel. 10) se nasadí na hřídel motoru kvůli kontrování proti pohybu.
- **Pozor!** Matici otočit ve směru otáčení pilového kotouče.
- Vnější přírubu odebrat a starý pilový kotouč směrem šikmo dolů stáhnout z vnitřní příruby.
- Příruby pilového kotouče před montáží nového pilového kotouče pečlivě vyčistit drátěným kartáčem.
- Nový pilový kotouč v opačném pořadí opět nasadit a utáhnout.  
**Pozor! Dbát na směr chodu, zkosení zubů musí ukazovat ve směru chodu, tzn. dopředu (viz šipka na ochraně pilového kotouče)**

- Vložku stolu (6) jako též ochranu pilového kotouče (2) opět namontovat a nastavit (viz 8.3, 8.4)
- Než začnete s pilou opět pracovat, překontrolujte funkčnost ochranných zařízení.

## 9. Obsluha

### 9.1. Za-/vypínač (obr. 22/pol. 11)

- Stisknutím zeleného tlačítka „I“ může být pila zapnuta. Před začátkem řezání vyčkat, až pilový kotouč dosáhne svého maximálního počtu otáček.
- Na vypnutí pily musí být stisknuto červené tlačítko „0“.

### 9.2. Hloubka řezu (obr. 22)

- Otáčením ručního kola (8) může být pilový kotouč (5) nastaven na požadovanou hloubku řezu.

Proti směru hodinových ručiček:  
větší hloubka řezu

Ve směru hodinových ručiček:  
menší hloubka řezu

### 9.3. Nastavení úhlu (obr. 22)

- Povolit zajišťovací rukojeť (9)
- Otáčením rukojeti nastavit požadovaný úhlový rozměr na stupnici.
- Zajišťovací rukojeť zaaretovat v požadované poloze úhlu.

### 9.4 Paralelní doraz

#### 9.4.1. Výška dorazu (obr. 23-26)

- Dorazová lišta (e) paralelního dorazu (7) disponuje dvěma různě vysokými vodicími plochami.
- Podle tloušťky řezaných materiálů musí být použita dorazová lišta (e) pro tlustý materiál (nad 25 mm tloušťky obrobku) podle obr. 25 a pro slabý materiál (pod 25 mm tloušťky obrobku) podle obr. 26.

**9.4.2 Otočení dorazové lišty (obr. 23-26)**

- K otočení dorazové lišty (e) nejdříve povolit křídlové matice (f).
- Nyní může být dorazová lišta (e) z vodící lišty (h) stáhnuta a s příslušným vedením na ni opět nasunuta.
- Křídlové matice (f) opět utáhnout.

**9.4.3 Šířka řezu (obr. 26 - 28)**

- Při podélném řezání dřevěných dílů musí být použit paralelní doraz (7).
- Paralelní doraz by měl být namontován na pravé straně pilového kotouče (5).
- Paralelní doraz nasadit shora na vodící lištu paralelního dorazu (12) (obr. 26).
- Na vodící liště paralelního dorazu (12) se nalézají 2 stupnice (j/k), které ukazují vzdálenost mezi dorazovou lištou (e) a pilovým kotoučem (5) (obr. 27).
- Vhodnou stupnici zvolit v závislosti na tom, zda je dorazová lišta (e) otočena pro opracování tlustého nebo slabého materiálu:

Vysoká dorazová lišta (tlustý materiál):  
Stupnice j

Nízká dorazová lišta (slabý materiál):  
Stupnice k

- Paralelní doraz (7) nastavit na požadovaný rozměr na průhledítku (l) a excentrickou páčkou paralelního dorazu (31) zafixovat.

**9.4.4 Nastavení délky dorazu (obr. 29)**

- Aby se zabránilo vážnutí řezaného materiálu, je dorazová lišta (e) v podélném směru posouvatelná.
- Základní pravidlo: Zadní konec dorazu naráží na myšlenou linii, která začíná přibližně ve středu pilového kotouče a pod 45° probíhá směrem dozadu.
- Nastavit potřebnou šířku řezu.
- Povolit křídlové matice (f) a dorazovou lištu (e) posunout tak dalece dopředu, až dojde k dotknutí myšlené 45° linie.
- Křídlové matice (f) opět utáhnout.

**9.5 Nastavení paralelního dorazu (obr. 30)**

- Pilový kotouč (5) nastavit na maximální hloubku řezu (viz také bod 9.2).
- Paralelní doraz (7) nastavit tak, aby se dorazová lišta (e) dotýkala pilového kotouče (nastavení pro tlustý materiál, viz také bod 9.4).
- Pokud paralelní doraz (7) neprobíhá v jedné linii s pilovým kotoučem (5), povolit šrouby (m) na paralelním dorazu tak dalece, aby se dal paralelní doraz (7) vyrovnat paralelně k pilovému kotouči (5) (obr. 30).
- Šrouby (m) opět utáhnout.

**9.6 Příčný doraz (obr. 31-32)**

- Příčný doraz (13) nasunout do drážky (32) stolu pily.
- Rýhovaný šroub (33) uvolnit.
- Příčný doraz (13) otočit tak, až bude nastaven požadovaný úhlový rozměr. Zářez (w) ukazuje nastavený úhel.
- Rýhovaný šroub (33) opět utáhnout.
- Při řezání větších částí obrobků, může být příčný doraz (13) prodloužen pomocí dorazové lišty (e) paralelního dorazu (7) (obr. 32).
- Na prodloužení příčného dorazu (13) s dorazovou lištou (e) musí být z paralelního dorazu (7) odebrána dorazová lišta (e), vodící lišta (h) a křídlové matice (f) včetně příložek. Nyní je třeba namontovat dorazovou lištu tak, jak je znázorněno na obr. 32, použít k tomu zámkové šrouby (n).

**Pozor!**

- Dorazovou lištu (e) neposouvat příliš daleko směrem k pilovému kotouči.
- Vzdálenost mezi dorazovou lištou (e) a pilovým kotoučem (5) by měla činit cca 2 cm.

**9.7 Nastavení stupnice příčného dorazu (obr. 33)**

- Přiložit 90° příložný úhelník na pilový kotouč (5).
- Příčný doraz (13) spojit s dorazovou lištou (e) paralelního dorazu (7) (viz také bod 9.4).
- Povolit rýhovaný šroub (33) příčného dorazu (13).
- Příčný doraz (13) polohovat tak, aby byla

dorazová lišta v úhlu 90° k pilovému kotouči (5). Nyní přesně vyrovnat příčný doraz pomocí 90° úhelníku k pilovému kotouči a rýhovaný šroub (33) opět utáhnout.

- Zkontrolovat, zda příčný doraz ukazuje přesně 90°. Pokud tomu tak není, postupovat následovně:
  - Oba šrouby (o), kterými je stupnice (p) příčného dorazu (13) na něm upevněna, povolit tak dalece, aby se dala nastavit do správné polohy.
  - Nyní šrouby (o) opět utáhnout.

### 9.8 Nastavení stupnice na stole pily (obr. 28; 34)

- Zkontrolovat, zda paralelní doraz (7) probíhá v jedné linii s pilovým kotoučem (5) (viz také bod 9.5)
- Paralelní doraz nastavit tak, aby se dotýkal pilového kotouče (5) (nastavení pro tlustý materiál, viz také bod 9.4)
- Šroub (q), pomocí kterého je stupnice (j; k) připevněna na vodící liště (12), povolit o cca 2 otočení.
- Nastavit stupnici (j/k) tak, aby čárka v průhledítku (l) paralelního dorazu (7) souhlasila s nulovou čarou stupnice (j).
- Šroub (q) opět utáhnout.

### 9.9 Použití laseru (obr. 35-38)

- Laser (34) Vám umožňuje provádět s Vaší kotoučovou pilou přesné řezy.
- Světlo laseru je produkováno laserovou diodou, která je zásobována dvěma bateriemi. Světlo laseru se rozšíří v čáru a vystupuje z výstupního otvoru laseru. Čáru můžete poté použít jako optickou značku čáry řezu u přesného řezu. Dbejte prosím bezpečnostních pokynů pro zacházení s laserem.
- Vložení baterií:
  - Odstraňte ochranu pilového kotouče (2) (viz 8.3). Laser je namontován na roztahovacím klínu (4) a je lehce přístupný.
  - Nastavte za-/vypínač laseru (35) do polohy 0 (laser vypnutý).
  - Odstraňte kryt příhrádky na baterie (37) tak, že uvolníte šrouby (36) a otočíte přídržné desky tak, aby nebyl kryt příhrádky na baterie (37) blokován. Kryt příhrádky na

baterie (37) vyklopit směrem nahoru.

- Vložte baterie, dbejte na správnou polaritu (viz obr. 37).
- Nasadte opět kryt příhrádky na baterie (37) a upevněte ho pomocí šroubů (36).
- Namontovat opět ochranu pilového kotouče (2).
- Zapnutí laseru: Za-/vypínač laseru (35) nastavit na I. Za-/vypínač laseru (35) je při namontované ochraně pilového kotouče (2) lehce přístupný otvorem v této ochraně (obr. 38). Z otvoru pro výstup laseru je promítán červený laserový paprsek. Pokud během řezání povedete laserový paprsek podél značky čáry řezu, povedou se Vám čisté řezy.
- Vypnutí laseru: Za-/vypínač laseru (35) nastavit na 0. Laserový paprsek zhasne. Vypněte prosím laser vždy, pokud ho nepotřebujete, abyste šetřili baterie.
- Laserový paprsek může být blokován usazeným prachem a pilinami. Odstraňte proto po každém použití (vypnutý přístroj) tyto částičky z výstupního otvoru laseru.
- Poznámky k bateriím: Pokud laser delší dobu nepoužíváte, vyjměte prosím baterie z příhrádky na baterie. Vytečení tekutiny z baterie by mohlo přístroj poškodit.
- Baterie neodkládat na topná tělesa nebo nevystavovat delší dobu slunečnímu záření; teploty nad 50° by mohly přístroj poškodit.

### 9.10 Nastavení laseru (obr. 35)

Pokud laser (34) neukazuje správnou čáru řezu, může být nastaven. Vyšroubujte šrouby (z) a nastavte laser bočním posunutím tak, aby se laserový paprsek trefil na zuby pilového kotouče (5).

## 10. Provoz

### Pozor!

- Po každém novém nastavení doporučujeme provést zkušební řez, aby se překontrolovaly nastavené rozměry.
- Po zapnutí pily vyčkat, až pilový kotouč dosáhne svého maximálního počtu otáček, a teprve potom začít řezat.
- Pozor při zahajování řezu!
- Přístroj provozujte pouze s odsáváním.
- Pravidelně kontrolujte a čistěte odsávací kanály.
- Vhodnost pilových kotoučů:
  - 24 zubů: měkké materiály, vysoký úběr třísky, hrubý vzhled řezu
  - 48 zubů: tvrdé materiály, menší úběr třísky, jemný vzhled řezu

### 10.1 Provádění podélných řezů (obr. 39)

Při tomto řezu je obrobek proříznut v podélném směru.

Hrana obrobku je tlačena proti paralelnímu dorazu (7), přičemž plochá strana leží na stole pily (1). Ochrana pilového kotouče (2) musí být vždy sklopena na obrobek.

Pracovní postoj při podélném řezu nesmí být nikdy v jedné linii s průběhem řezu.

- Paralelní doraz (7) nastavit příslušně podle výšky obrobku a požadované šířky (viz 9.4).
- Pílu zapnout.
- Ruce se semknutými prsty položit ploše na obrobek a obrobek posouvat podél paralelního dorazu (7) do pilového kotouče (5).
- Boční vedení levou nebo pravou rukou (podle polohy paralelního dorazu) pouze po přední hranu ochrany pilového kotouče (2).
- Obrobek protáhnout vždy až do konce roztahovacího klínu (4).
- Odpad zůstane na stole pily (1) ležet do té doby, dokud se pilový kotouč (5) opět nenachází v klidové poloze.
- Dlouhé obrobky zajistit proti přepadnutí na konci řezání! (např. odvalovací stojan atd.)

### 10.1.1 Řezání úzkých obrobků (obr. 40)

Podélné řezy obrobků o šířce menší než 120 mm musí být **bezpodmínečně** prováděny za použití posuvné tyče (17). Posuvná tyč je v rozsahu dodávky. **Opotřebovanou nebo poškozenou posuvnou tyč okamžitě vyměnit.**

### 10.1.2 Řezání velmi úzkých obrobků (obr. 41)

- Pro podélné řezy velmi úzkých obrobků o šířce 30 mm a méně je bezpodmínečně nutné používat posuvné dřevo.
- Přitom je třeba upřednostnit nízkou vodicí plochu paralelního dorazu.
- **Posuvné dřevo není v rozsahu dodávky! (K dostání v příslušném odborném obchodě). Opotřebované posuvné dřevo včas nahradit.**

### 10.1.3 Provádění šikmých řezů (obr. 42)

Šikmé řezy jsou prováděny zásadně za použití paralelního dorazu (7).

- Pilový kotouč (5) nastavit na požadovaný úhlový rozměr (viz 9.3).
- Paralelní doraz (7) nastavit podle šířky a výšky obrobku (viz 9.3).
- Řez provést odpovídajíc šířce obrobku (viz 10.1.1 a 10.1.2).

### 10.2 Provedení příčných řezů (obr. 31, 43)

- Příčný doraz (13) nasunout do jedné z drážek (32) stolu pily a nastavit na požadovaný úhlový rozměr. (viz 9.6) Pokud by měl být pilový kotouč (5) dodatečně nastaven šikmo, je potřeba použít drážku (32), která nedovolí, aby se Vaše ruka a příčný doraz dostaly do kontaktu s ochranou pilového kotouče.
- V případě potřeby použít dorazovou lištu (e).
- Obrobek tlačit pevně proti příčnému dorazu (13).
- Pílu zapnout.
- Příčný doraz (13) a obrobek posouvat ve směru pilového kotouče a provést řez.
- **Pozor:**  
**Vždy pevně držte vedený obrobek, nikdy volný obrobek, který je uřezáván.**
- Příčný doraz (13) posunout dopředu vždy

tak dalece, až je obrobek úplně přeříznut.

- Pilu opět vypnout. Odpad odstranit teprve tehdy, když je pilový kotouč zastaven.

### 10.3 Řezání dřevotřískových desek

Aby se zabránilo vylomení hran řezu při řezání dřevotřískových desek, neměl by být pilový kotouč (5) nastaven výše než 5 mm nad tloušťku obrobku (viz také bod 9.2).

## 11. Výměna síťového napájecího vedení

Pokud je poškozeno síťové napájecí vedení tohoto přístroje, musí být nahrazeno výrobcem nebo jeho zákaznickým servisem nebo podobně kvalifikovanou osobou, aby se zabránilo nebezpečím.

## 12. Čištění, údržba, uložení, transport a objednání náhradních dílů

Před všemi čistícími pracemi vytáhněte síťovou zástrčku.

### 12.1 Čištění

- Udržujte bezpečnostní zařízení, větrací otvory a kryt motoru tak prostě prachu a nečistot, jak jen to je možné. Otřete přístroj čistým hadrem nebo ho profoukněte stlačeným vzduchem při nízkém tlaku.
- Doporučujeme přímo po každém použití přístroj vyčistit.
- Pravidelně přístroj čistěte vlhkým hadrem a trochou mazlavého mýdla. Nepoužívejte čisticí prostředky nebo rozpouštědla; tyto by mohly narušit plastové díly přístroje. Dbejte na to, aby se do přístroje nedostala voda.

### 12.2 Uhlíkové kartáčky

Při nadměrné tvorbě jisker nechte uhlíkové kartáčky zkontrolovat odborným elektrikářem. Pozor! Uhlíkové kartáčky smějí být vyměněny pouze odborným elektrikářem.

### 12.3 Údržba

Uvnitř přístroje se nevyskytují žádné další díly vyžadující údržbu.

### 12.4 Uložení

Skladujte přístroj a jeho příslušenství na tmavém, suchém a nezamrzajícím místě a mimo dosah dětí. Optimální teplota skladování leží mezi 5 a 30 °C. Uložte elektrický přístroj v originálním balení.

### 12.5 Transport

- K transportu stroje používejte prosím pouze přepravní rukojeti (obr. 44), které jsou na obou stranách vyříznuty do krytu přístroje.
- Zajistěte přístroj proti sklouznutí, bezpečně ho přivažte.
- Nikdy nepoužívejte ochranná zařízení k manipulaci nebo transportu.

### 12.6 Objednání náhradních dílů

Při objednávce náhradních dílů je třeba uvést následující údaje:

- Typ přístroje
- Číslo artiklu přístroje
- Identifikační číslo přístroje

Aktuální ceny a informace naleznete na [www.isc-gmbh.info](http://www.isc-gmbh.info)

## 13. Likvidace a recyklace

Přístroj je uložen v balení, aby bylo zabráněno poškození při přepravě. Toto balení je surovina a tím znovu použitelné nebo může být dáno zpět do cirkulace surovin. Přístroj a jeho příslušenství jsou vyrobeny z rozdílných materiálů, jako např. kov a plasty. Defektní součástky odevzdejte k likvidaci zvláštních odpadů. Zeptejte se v odborné prodejně nebo na místním zastupitelství!

**CZ**

Jen pro země EU

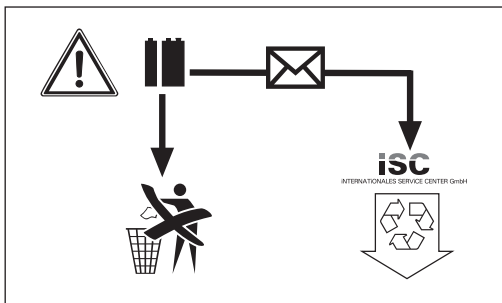
Elektrické nářadí a přístroje  
neodhazujte do domovního  
odpadu!

Podle evropské směrnice 2002/96/ES o odpadních elektrických a elektronických zařízeních (OEEZ) a při prosazování národního práva musí být spotřebované elektrické nářadí sbíráno samostatně a musí být dopraveno do odpovídajícího ekologického recyklačního závodu.

Alternativa recyklace k výzvě na zpětné odeslání výrobku:

Vlastník elektrického přístroje je povinen alternativně namísto zpětného odeslání zařízení spolupůsobit při jeho správném zužitkování v případě, že se vzdá jeho vlastnictví. Starý přístroj lze v takovém případě odevzdat také ve sběrně, která provede odstranění ve smyslu národního zákona o recyklaci a odpadech. Tyto předpisy se nevztahují na díly příslušenství a pomocné prostředky bez elektrických součástí přidané ke starým přístrojům.

Baterie obsahují materiály nebezpečné životnímu prostředí. Baterie nedávat do domovního odpadu, neházet do ohně nebo do vody. Baterie by měly být sbírány, recyklovány nebo ekologicky zlikvidovány. Vypotřebované baterie zašlete na iSC GmbH, Eschenstraße 6, D-94405 Landau, Německo. Tam je výrobcem zaručena odborná likvidace.



## 14. Prohlášení o shodě

Einhell Germany AG · Wiesenweg 22 · D-94405 Landau/Isar



## Konformitätserklärung

- (C)** erklärt folgende Konformität gemäß EU-Richtlinie und Normen für Artikel
- (EN)** explains the following conformity according to EU directives and norms for the following product
- (F)** déclare la conformité suivante selon la directive CE et les normes concernant l'article
- (I)** dichiara la seguente conformità secondo la direttiva UE e le norme per l'articolo
- (NL)** verklaart de volgende overeenstemming conform EU richtlijn en normen voor het product
- (E)** declara la siguiente conformidad a tenor de la directiva y normas de la UE para el artículo
- (P)** declara a seguinte conformidade, de acordo com a directiva CE e normas para o artigo
- (DK)** atterer følgende overensstemmelse i medfør af EU-direktiv samt standarder for artikel
- (S)** förklarar följande överensstämmelse enl. EU-direktiv och standarder för artikeln
- (RU)** вакуuttaa, että tuote täyttää EU-direktiivin ja standardien vaatimukset
- (EL)** töendab toote vastavust EL direktiivile ja standarditele
- (CZ)** vydává následující prohlášení o shodě podle směrnice EU a norem pro výrobek
- (SK)** potvrdzuje sledečo skladnosť s smernico EU in standardi za izdelek
- (HU)** vydáva nasledujúce prehlásenie o zhode podľa smernice EÚ a noriem pre výrobok
- (H)** a cikkekhez az EU-irányvonal és Normák szerint a következő konformitást jelenti ki
- (PL)** deklaruje zgodność wymienionego poniżej artykułu z następującymi normami na podstawie dyrektywy WE.
- (BG)** декларира съответното съответствие съгласно Директива на ЕС и норми за артикул
- (LV)** paskaidro šādu atbilstību ES direktīvai un standartiem
- (LT)** apibūdina šį atitikimą EU reikalavimams ir prekės normoms
- (RO)** declară următoarea conformitate conform directivei UE și normelor pentru articolul
- (GR)** δηλώνει την ακόλουθη συμμόρφωση σύμφωνα με την Οδηγία ΕΚ και τα πρότυπα για το προϊόν
- (HR)** potvrđuje sljedeću usklađenost prema smjernicama EU i normama za artikl
- (SI)** potrjuje sledeću usklađenost prema smernicama EU i normama za artikl
- (ES)** potvrdjuje sledeću usklađenost prema smernicama EZ i normama za artikl
- (SE)** следующим удостоверяется, что следующие продукты соответствуют директивам и нормам ЕС
- (HU)** proglóssu pro znančenú nižče vđpóvídniť vđrobu dđrektívam ta štandarťam EÚ na vđrđb
- (MK)** ja izjavuva slednata soobrznost soglasno EÚ-dđrektívata i normite za artđkđlđ
- (TR)** Ürđnđ ile đlgđl AB dđrektđflerđ ve normlarđ gđređđnce aŗaŗđda aŗđkđlanđ uygunluŗu belirtđr
- (N)** erklærer følgende samsvar i henhold til EU-direktivet og standarder for artikkel
- (IS)** Lýsir uppfyllingu EU-reglna og annarra stađla vđru

## Tischkreissäge PTK 1700 A1 (Parkside)

- 2009/105/EC
- 2006/95/EC
- 2006/28/EC
- 2005/32/EC
- 2004/108/EC
- 2004/22/EC
- 1999/5/EC
- 97/23/EC
- 90/396/EC
- 89/686/EC\_96/58/EC
- 2006/42/EC
- Annex IV  
Notified Body: TÜV Rheinland LGA Products GmbH  
Tillystraße 2, 90431 Nürnberg, Germany  
Notified Body No.: 0197  
Reg. No.: BM 50179485 0001
- 2000/14/EC\_2005/88/EC
- Annex V
- Annex VI  
Noise: measured  $L_{WA}$  = dB (A); guaranteed  $L_{WA}$  = dB (A)  
P = KW; L/Ø = cm  
Notified Body:
- 2004/26/EC  
Emission No.:

Standard references: EN 61029-1; EN 61029-2-1; EN 55014-1;  
EN 55014-2; EN 61000-3-2; EN 61000-3-3

Landau/Isar, den 29.01.2010

Weichselgartner/General Manager

Wentao/Product-Management

First CE: 10  
Art.-No.: 43.406.87 I.-No.: 11010  
Subject to change without notice

Archive-File/Record: 4340690-39-4177400-08  
Documents registrar: Siegfried Roider  
Wiesenweg 22, D-94405 Landau/Isar

# 15. ZÁRUČNÍ LIST

## Vážená zákaznice, vážený zákazníku,

naše výrobky podléhají přísné kontrole kvality. Pokud i přesto tento přístroj bezvadně nefunguje, velice toho litujeme a prosíme Vás, abyste se obrátili na náš zákaznický servis, jehož adresa je uvedena na tomto záručním listu. Rádi Vám budeme k dispozici také telefonicky na níže uvedeném servisním čísle. Pro uplatňování nároků na záruku platí následující:

1. Tyto záruční podmínky upravují dodatečný záruční servis. Vašich zákonných nároků na záruku se tato záruka netýká. Náš záruční servis je pro Vás bezplatný.
2. Záruční servis se vztahuje výhradně na nedostatky, které lze odvodit z vad materiálu nebo výrobních vad a je také omezen pouze na odstranění těchto nedostatků, resp. výměnu přístroje. Dbejte prosím na to, že naše přístroje nebyly podle svého účelu určeny konstruovány pro živnostenské, řemeslnické nebo průmyslové použití. Záruční smlouva tak není realizována, pokud byl přístroj používán v živnostenských, řemeslných nebo průmyslových podnicích a při srovnatelných činnostech. Z naší záruky je dále vyloučeno poskytnutí náhrady za dopravní škody, škody způsobené nedodržením montážního návodu nebo z důvodů neodborné instalace, nedodržení návodu k použití (jako např. připojení na chybné síťové napětí nebo druh proudu), nedovoleného nebo neodborného používání (jako např. přetížení přístroje nebo použití neschválených vložných nástrojů nebo příslušenství), nedodržení pokynů pro údržbu a bezpečnostních pokynů, vniknutí cizích těles do přístroje (jako např. písek, kameny nebo prach), použití násilí nebo poškození v důsledku cizích vlivů (jako např. škody způsobené pádem), jakož také běžného opotřebení způsobeného používáním. To platí obzvláště pro akumulátory, na které přesto poskytujeme záruční lhůtu 12 měsíců.

Nárok na záruku zaniká, pokud bylo do přístroje již zasahováno.

3. Záruční doba činí 3 roky a začíná datem koupě přístroje. Nároky na záruku před vypršením záruční doby je třeba uplatňovat během dvou týdnů od zjištění defektu. Uplatňování nároků na záruku po vypršení záruční doby je vyloučeno. Oprava nebo výměna přístroje nevede k prodloužení záruční doby, ani k zahájení nové záruční doby za provedený výkon pro přístroj nebo pro případné zamontované náhradní díly. Toto platí také v případě servisu v místě Vašeho bydliště.
4. Při uplatňování Vašeho nároku na záruku zašlete prosím přístroj bez poštovního na níže uvedenou adresu. Přiložte originál prodejního dokladu nebo jiného datovaného potvrzení o koupi. Pokladní lístek si proto dobře uložte jako důkaz! Popište nám prosím pokud možno přesně důvod reklamace. Je-li defekt přístroje v našem záručním servisu obsažen, obdržíte obratem opravený nebo nový přístroj.

Samozřejmě rádi za úhradu nákladů odstraníme defekty na přístroji, které nespádají nebo již nespádají do rozsahu záruky. K tomu nám přístroj prosím zašlete na naši servisní adresu.

**Einhell UNICORE s.r.o.**

Holečkova 4

360 17 Karlovy Vary - CZ

Tel.: 00420 353 440 218 · Fax: 00420 359 607 223



<b>Obsah</b>	<b>Strana</b>
1. Úvod .....	91
2. Bezpečnostné pokyny .....	91-96
3. Popis prístroja .....	96
4. Obsah dodávky .....	97
5. Správne použitie .....	97-98
6. Technické údaje .....	98-99
7. Pred uvedením do prevádzky .....	99
8. Montáž .....	99-101
9. Obsluha .....	101-103
10. Prevádzka .....	103-104
11. Výmena sieťového prípojného vedenia .....	104
12. Čistenie, údržba, skladovanie, transport a objednávanie náhradných dielov .....	105
13. Likvidácia a recyklácia .....	105-106
14. Vyhlásenie o zhode .....	107
15. Záručný list .....	108

Dodatočná tlač alebo iné reprodukovanie dokumentácie a sprievodných dokladov výrobkov, taktiež ich častí, je prípustná len s výslovným súhlasom spoločnosti ISC GmbH.

Technické zmeny vyhradené



## Vysvetlenie symbolov na prístroji



„VÝSTRAHA - Aby ste znížili riziko poranenia, prečítajte si návod na obsluhu“



### **Používajte ochranu sluchu.**

Pôsobenie hluku môže spôsobiť poškodenie sluchu.



### **Používajte ochrannú masku proti prachu.**

Pri práci s drevom a inými materiálmi môže vznikáť zdraviu škodlivý prach. Materiál obsahujúci azbest nesmie byť spracovávaný!



### **Noste ochranné okuliare.**

Iskry vznikajúce pri práci alebo úlomky, triesky a prach vystupujúci z prístroja by mohli viesť k trvalému poškodeniu zraku.



### **Pri štartovaní ochranné rukavice.**

Pri zaobchádzaní s pilovými kotúči sa vždy musia používať ochranné rukavice.



### **Pozor! Nebezpečenstvo poranenia!**

Nesiahajte do bežiaceho pilového kotúča!

## 1. Úvod

### ⚠ Pozor!

Pri používaní prístrojov sa musia dodržiavať príslušné bezpečnostné opatrenia, aby bolo možné zabrániť prípadným zraneniam a vecným škodám. Preto si starostlivo prečítajte tento návod na obsluhu / bezpečnostné pokyny. Následne ich starostlivo uschovajte, aby ste mali vždy k dispozícii potrebné informácie. V prípade, že budete prístroj požičiavať tretím osobám, prosím odovzdajte im spolu s prístrojom tento návod na obsluhu / bezpečnostné pokyny. Nepreberáme žiadne ručenie za nehody ani škody, ktoré vzniknú nedodržaním tohto návodu na obsluhu a bezpečnostných pokynov.

## 2. Bezpečnostné pokyny

### ⚠ VÝSTRAHA

**Prečítajte si všetky bezpečnostné predpisy a pokyny.** Nedostatky pri dodržovaní bezpečnostných predpisov a pokynov môžu mať za následok úraz elektrickým prúdom, vznik požiaru a/alebo ťažké poranenia.

**Všetky bezpečnostné predpisy a pokyny si odložte pre budúce použitie.**

### 2.1 Všeobecné bezpečnostné predpisy pre elektrické prístroje

**Pozor! Pri použití elektrických prístrojov je potrebné kvôli ochrane pred elektrickým úrazom, nebezpečenstvom zranenia a nebezpečenstvom vzniku požiaru, dodržiavať nasledovné bezpečnostné opatrenia. Pred používaním tohto prístroja si prečítajte a dodržiavajte tieto pokyny.**

- Udržujte vaše pracovisko vždy v čistom stave**  
Neporiadok na pracovisku spôsobuje nebezpečenstvo úrazu.
- Zohľadnite vplyvy okolitého prostredia**  
Nevystavujte elektrické prístroje dažďu. Nepoužívajte elektrické nástroje vo vlhkom

alebo mokrom prostredí. Postarajte sa o dobré osvetlenie. Nepoužívajte elektrické prístroje v blízkosti horľavých tekutín alebo plynov.

- Chráňte sa pred elektrickým úderom**  
Zabráňte telesnému dotyku s uzemnenými predmetmi, ako napríklad potrubnými rúrami, radiátormi, pecami, chladničkami.
- Zabráňte prístupu deťom!**  
Nedovoľte iným osobám dotýkať sa prístroja alebo káblu počas práce, zabráňte im vstupu do vašej pracovnej oblasti.
- Uschovajte Vaše nástroje na bezpečnom mieste**  
Nepoužívané nástroje musia byť uskladnené v suchej, uzatvorenej miestnosti a mimo dosahu detí.
- Nepreťažujte Vaše nástroje**  
Práca je dôkladnejšia a bezpečnejšia v rozmedzí uvedeného výkonu prístroja.
- Používajte správny nástroj**  
Nepoužívajte na ťažké práce nástroje alebo prídavné prípravky s príliš slabým výkonom. Nepoužívajte náradia na účely a práce, na ktoré neboli určené, napríklad v žiadnom prípade nepoužívajte ručnú kruhovú pílu na stínanie stromov alebo rezanie konárov.
- Noste vhodný pracovný odev**  
Nenoste široký odev alebo šperky. Môžu byť totiž zachytené pohyblivými súčiastkami prístroja. Pri prácach vonku sa odporúčajú gumené rukavice a protišmyková pevná obuv. Ak máte dlhé vlasy, používajte sieťku na vlasy.
- Používajte ochranné okuliare**  
Používajte ochrannú dýchaciu masku pri prašných prácach.
- Nepoužívajte kábel na iné účely**  
Nenoste prístroj zavesený za elektrický kábel a nepoužívajte ho, aby ste ním vytiahli zástrčku zo zásuvky. Chráňte elektrický kábel pred teplom, olejom a ostrými hranami.
- Zaistite obrábaný materiál**  
Používajte upínacie zariadenia alebo zverák na pevné uchytenie obrábaného materiálu. Obrobok je tak držaný oveľa bezpečnejšie ako vašou rukou a umožňuje sa tak obsluha prístroja oboma rukami.
- Dbajte na správny postoj pri práci**

SK

- Zabráňte abnormálnemu držaniu tela. Postarajte sa o bezpečný postoj pri práci a dbajte neustále na rovnováhu.
13. **Dôkladne ošetríte Vaše nástroje**  
Udržujte Vaše nástroje vždy ostré a čisté, aby ste mohli pracovať dôkladne a bezpečne. Dodržiavajte predpisy pre údržbu a pokyny pre výmenu nástrojov. Pravidelne kontrolujte zástrčku a kábel, a pri eventuálnom poškodení ich nechajte vymeniť autorizovaným odborníkom. Pravidelne kontrolujte predlžovací kábel a nahraďte káble, ktoré sú poškodené. Udržujte rukoväte a držadlá suché a čisté od oleja a tukov.
14. **Vytiahnite zástrčku zo siete**  
Ak prístroj nepoužívate, pred údržbovými prácami a pred výmenou nástroja, ako napr. pílového kotúča, vrtáku a obrábacích nástrojov každého druhu.
15. **Nezabudnite v prístroji zastrčené nástrojové kľúče**  
Pred zapnutím vždy skontrolujte, že sa na prístroji nenachádzajú žiadne kľúče ani nastavovacie nástroje.
16. **Zabráňte neúmyselnému rozbehnutiu prístroja**  
Nikdy neprenášajte nástroje zapojené do elektrického prúdu s prstom na spínači. Presvedčite sa o tom, že je spínač pri pripojke na elektrickú sieť vypnutý.
17. **Predlžovací kábel vo vonkajšom prostredí**  
Pri práci vonku používajte len také predlžovacie káble, ktoré sú na také použitie určené a sú aj príslušne označené.
18. **Buďte vždy pozorný**  
Pozorujte vždy Vašu prácu. Postupujte vždy rozumne. Nepoužívajte prístroj vtedy, ak sa na prácu nemôžete koncentrovať.
19. **Skontrolujte Váš prístroj, či nie je poškodený**  
Pred ďalším používaním prístroja starostlivo skontrolujte, či sú ochranné zariadenia alebo ľahko poškodené súčiastky stále v náležitom funkčnom stave podľa predpisov. Skontrolujte, či je funkcia všetkých pohyblivých dielov prístroja v poriadku, t.j. či nedochádza k ich blokovaniu alebo nie sú poškodené. Všetky

diely musia byť správne namontované, aby sa zabezpečila bezpečnosť prístroja. Poškodené ochranné zariadenia a súčiastky musia byť odborne opravené alebo vymenené v zákazníckom servise, pokiaľ nie je v návodoch na obsluhu uvedené inak. Poškodené spínače musia byť nahradené v zákazníckom servise. V žiadnom prípade nepoužívajte prístroje, ak na nich nie je možné vypnúť a zapnúť ich vypínač.

20. **Pozor!**  
Používajte kvôli Vašej vlastnej bezpečnosti vždy len príslušenstvo a prídavné zariadenia, ktoré sú uvedené v návode na obsluhu alebo sú odporúčané a uvádzané výrobcom prístroja. Použitie obrábacích nástrojov alebo príslušenstva, ktoré nie sú uvedené v návode na obsluhu alebo v katalógu, môže pre vás osobne znamenať vznik eventuálneho nebezpečenstva zranenia
21. **Opravy iba odborným elektrikárom**  
Tento elektrický prístroj je v súlade s príslušnými bezpečnostnými smernicami. Opravy smie vykonávať len odborný elektrikár, v opačnom prípade môže dôjsť k úrazu obsluhujúcej osoby.
22. **Zapojte zariadenie na odsávanie prachu**  
Keď sa na prístroji nachádzajú prípravky na zapojenie zariadení na odsávanie prachu, presvedčite sa o tom, že je možné tieto zariadenia pripojiť a používať ich.

## 2.2 Špeciálne bezpečnostné predpisy

### 2.2.1 Bezpečnostné opatrenia

- Deformované alebo poškodené pílové kotúče sa nesmú používať.
- Vymeňte opotrebovanú stolnú vložku.
- Používajte len pílové kotúče odporúčané výrobcom, ktoré sú v súlade s normou EN 847-1. Pri výmene pílového kotúča dbať na to, aby nebola šírka rezu menšia a hrúbka kmeňového kotúča tohto pílového kotúča nebola väčšia ako hrúbka rozovieracieho klinu.
- Dbajte na to, aby bol výber pílového kotúča vhodný pre rezaný materiál.
- Ak je to potrebné, používajte vhodné osobné ochranné vybavenie. To môže

obsahovať:

- Ochrana sluchu na zabránenie riziku vzniku poškodenia sluchu;
- Ochrana dýchania na zabránenie riziku vdychovania nebezpečného prachu.
- Pri zaobchádzaní s pílovými kotúčmi a hrubými materiálmi používať ochranné rukavice.

Pílové kotúče sa musia prenášať vždy ak to je možné v prepravke či nádobe.

- Pri pílení dreva sa musia kotúčové píly napojiť na zariadenie na zachytávanie prachu. Nasledujúce faktory môžu ovplyvniť uvoľňovanie prachu:
  - Opatrebované, poškodené alebo popraskané pílové kotúče
  - Odporúčany sací výkon odsávacieho zariadenia: 20 m/s
  - Obrobok je potrebné riadne viesť
- Nesmú sa používať pílové kotúče z vysoko legovanej rychloreznej ocele (ocel' HSS).
- Posuvný prípravok alebo rukoväť pre posuvné porisko by sa malo vždy, keď sa práve nepoužíva, skladovať uložené na určenom mieste na stroji.

## 2.2.2 Bezpečnostné predpisy pre laser



**Pozor:**  
**Laserové žiarenie**  
**Nepozerať sa priamo do lúča**  
**Trieda laseru 2**

**Achtung**  
**Laserstrahlung**  
**Nicht in den Strahl blicken!**

Laserspezifikation  
 nach EN 60825-1  
 Laser Klasse 2 RLM-08  
 λ: 650 nm P: ≤ 1 mW

Chráňte seba a Vaše okolie vhodnými bezpečnostnými opatreniami pred rizikami vzniku nehody.

- Nepozerajte sa priamo nechránenými očami na laserový lúč.
- Nepozerať sa v žiadnom prípade priamo do lúča.
- V žiadnom prípade nesmerujte laserový lúč

na reflektujúce plochy, na osoby ani na zvieratá. Aj laserový lúč s nízkym výkonom môže spôsobiť vážne poškodenie zraku.

- Pozor - ak sa budú používať iné pracovné postupy ako sú uvedené v tomto návode, môže to viesť k vystaveniu sa nebezpečnému žiareniu alebo zaťaženiu žiarením.
- Nikdy neotvárať laserový modul.

## 2.2.3 Bezpečnostné predpisy pre batérie

Používanie batérií

- Ubezpečte sa, aby sa vypínač lasera (35) nachádzal v polohe „0“ skôr než založíte batérie.
- Založenie batérií pri zapnutom laseri môže viesť k úrazom.
- Pri nevhodnom používaní môže dôjsť k vytečeniu batérií. Zabráňte kontaktu s tekutinou batérií. V prípade, že by ste prišli do kontaktu s tekutinou batérie, umyte zasiahnutú časť tela pod tečúcou vodou. Ak sa tekutina batérie dostane do kontaktu s očami, je potrebné navyše okamžite vyhľadať pomoc lekára.
- Vytečená tekutina batérie môže viesť k podráždeniu pokožky alebo popáleninám.
- Batérie nikdy nevystavujte nadmernému teplu ako slnečnému žiareniu, ohňu alebo podobným zdrojom.
- Nikdy znovu nenabíjajte batérie, ktoré na to nie sú určené. Nebezpečenstvo výbuchu!
- Zabráňte deťom prístup k batériám, batérie neskratujte ani ich nerozoberajte.
- Okamžite vyhľadajte lekára, ak došlo k prehltnutiu batérie.
- Podľa potreby vyčistite kontakty batérie a prístroja pred ich založením.
- Pri zakladaní dbajte na správnu polaritu.
- Vybité batérie okamžite vyberte von z prístroja. Hrozí zvýšené riziko vytečenia.
- Vždy vymieňajte všetky batérie súčasne.
- Zakladajte iba batérie rovnakého typu, nepoužívajte odlišné typy ani nemiešajte použité a nové batérie.
- Zabezpečte, aby sa prístroj po použití vypol.
- Pri dlhšom nepoužívaní prístroja vyberte batérie z prístroja.

### 2.2.4 Opravy a servis

- Nasledujúce podmienky môžu ovplyvniť hlukové vplyvy na obsluhujúcu osobu.
  - Druh pílového kotúča (napr. pílové kotúče na zníženie hlukového pôsobenia)
  - Materiál obrobku
  - Sila, s ktorou je obrobok tlačенý na pílový kotúč.
- Poruchy na stroji, vrátane ochranných zariadení a pílového kotúča, sa musia ihneď po ich objavení ohlásiť osobe zodpovednej za bezpečnosť stroja.

### 2.2.5 Bezpečná prevádzka

- Používať posuvný prípravok alebo rukoväť s posuvným poriskom, aby sa mohol obrobok bezpečne viesť okolo pílového kotúča.
- Používať rozovierací klin a správne nastaviť.
- Používajte a správne nastavte horný prípravok na ochranu pílového kotúča.
- Drážkovanie alebo žliabkovanie sa nesmie vykonávať bez toho, aby sa ponad pílový stôl nainštalovalo vhodné ochranné zariadenie, ako napr. tunelový ochranný prípravok.
- Kotúčové píly sa nesmú používať na zarezávanie čapov (v obrobku ukončená drážka).
- Používajte len také pílové kotúče, ktorých najvyššia prípustná rýchlosť nie je nižšia ako maximálna rýchlosť vretena stolnej kotúčovej píly a materiálu určeného na rezanie.
- Pri transporte stroja sa musia používať výlučne len transportné prípravky a v žiadnom prípade sa nesmú používať na manipuláciu alebo transport stroja jeho ochranné zariadenia.
- Počas transportu by mala byť horná strana pílového kotúča prikrytá, napríklad ochranným prípravkom.
- Dlhé obrobky zabezpečiť proti preváženiu a spadnutiu na konci procesu pílenia (napr. pomocou odval'ovacieho stojanu).

### 2.2.6 Dodatočné pokyny

- Odovzdajte tieto bezpečnostné pokyny všetkým osobám, ktoré pracujú na tomto stroji.
- Nepoužívajte túto pílu na rezanie palivového dreva.
- Vyvarujte sa priečnemu rezaniu guľatiny.
- Pozor! Rotujúci pílový kotúč predstavuje zdroj nebezpečenstva poranenia rúk a prstov.
- Tento stroj je vybavený bezpečnostným vypínačom na zabránenie opätovného zapnutia po poklese napätia.
- Skontrolujte pred uvedením do prevádzky, či elektrické napätie uvedené na typovom štítku prístroja zodpovedá prítomnému sieťovému napätiu.
- V prípade, že je potrebné použitie predlžovacieho kábla, je nutné presvedčiť sa o tom, že je jeho vodičový prierez dostatočne veľký pre odber prúdu píly. Minimálny prierez 1 mm<sup>2</sup>.
- Káblový bubon sa smie používať len v plne rozvinutom stave.
- Skontrolujte vedenie sieťového pripojenia. Nepoužívajte žiadne chybné alebo poškodené prípojné vedenia.
- Obsluhujúca osoba musí byť minimálne vo veku 18 rokov, učni musia byť vo veku min. 16 rokov, avšak smú pracovať len pod dozorom.
- Udržujte pracovisko čisté od dreveného odpadu a voľne ležiacich častí.
- Osoby pracujúce na stroji nesmú byť vyrušované.
- Dbajte na smer otáčania motora a pílového kotúča.
- Pílové kotúče nesmú byť po vypnutí pohonu v žiadnom prípade brzdené bočným pritláčaním.
- Používajte len riadne ostré a nezdeformované pílové kotúče bez trhlín.
- Bezpečnostné zariadenia na stroji nesmú byť demontované alebo vyradené z prevádzky.
- Chybné pílové kotúče musia byť ihneď vymenené.
- Nepoužívajte také pílové kotúče, ktoré nezodpovedajú príslušným technickým údajom uvedeným v tomto návode na

obsluhu.

- Musí sa zabezpečiť, aby správne pracovali všetky zariadenia, ktoré zakrývajú pílový kotúč.
- **Pozor:** Pomocou tejto kotúčovej píly sa nesmú prevádzať vsadené rezy.
- Poškodené alebo defektné ochranné zariadenia sa musia ihneď vymeniť.
- Rozovierací klin je dôležitým ochranným zariadením, ktoré vedie obrobok pri rezaní a zabraňuje zatvoreniu reznej škáry za pílovým kotúčom ako aj spätnému nárazu obrobku. Dbajte silu rozovieracieho klinu. Rozovierací klin nesmie byť tenší ako teleso pílového kotúča a nesmie byť širší ako jeho šírka reznej škáry.
- Pri každom pracovnom postupe musí byť krycie veko spustené na spracovávaný obrobok.
- Používajte pri pozdĺžnom rezaní úzkych obrobkov bezpodmienečne posuvný prípravok (šírka menšia ako 120 mm).
- Nerežte také obrobky, ktoré sú príliš malé na to, aby sa dali pri rezaní bezpečne držať rukou.
- Pri rezaní úzkych kusov dreva musí byť paralelný doraz pevne upnutý na pravej strane pílového kotúča.
- Pracovný postoj musí byť vždy stranou preč od pílového kotúča.
- Stroj nezaťažovať tak, aby sa preťažením zastavil.
- Zatlačte obrobok vždy pevne proti pílovému stolu.
- Dbajte na to, aby sa odrezané kusy dreva nezachytili ozubeným vencom pílového kotúča a nevymrštili von z píly.
- Všetky ochranné a bezpečnostné zariadenia sa musia po ukončenej oprave alebo údržbe ihneď správne namontovať.
- Musia sa dodržiavať bezpečnostné, pracovné a údržbové predpisy výrobcu, ako aj rozmery uvedené v technických dátach.
- Musia sa pritom dodržiavať príslušné bezpečnostné predpisy proti úrazom a ostatné, všeobecne uznávané bezpečnostne technické pravidlá.
- Dodržiavajte príslušné predpisy profesnej odborovej organizácie.
- Zapojte pri každom používaní píly

zariadenie na odsávanie prachu.

Obsluhujúca osoba musí byť informovaná o podmienkach, ktoré ovplyvňujú uvoľňovanie prachu, napr. o druhu spracovávaného materiálu (zachytávanie a zdroj), o význame lokálneho odlučovania a o správnom nastavení krytov / vodiacich plechov / vodiacich elementov.

- Pílu prevádzkovať len spolu s vhodným odsávacím zariadením alebo s bežným priemyselným vysávačom.
- Nikdy neodstraňujte uvoľnené triesky, hobliny alebo zaseknuté časti dreva pri bežiacom pílovom kotúči.
- Pri odstraňovaní porúch alebo pri vyberaní zaseknutých kusov dreva sa musí stroj vypnúť.
  - Vytiahnuť kábel zo siete -
- Pri vytlačenej (opotrebovanej) pílovej škáre je potrebné obnoviť stolnú vložku.
  - Vytiahnuť kábel zo siete -
- Tento prístroj je v súlade s príslušnými bezpečnostnými smernicami.
- Udržujte Vaše pracovisko vždy v čistom a upratanom stave. Neporiadok na pracovisku a neosvetlené pracovné oblasti môžu mať za následok vznik úrazu.
- Nevystavujte prístroj dažďu ani vlhkému prostrediu. Vniknutie vody do elektrického prístroja zvyšuje riziko úrazu elektrickým prúdom.
- Buďte vždy pozorný, dbajte na to, čo práve robíte a postupujte pri práci s elektrickým nástrojom rozumne. Nepoužívajte prístroj v tom prípade, že ste pri práci unavený alebo že ste pod vplyvom drog, alkoholu alebo liekov. Jeden moment nepozornosti pri používaní elektrického nástroja môže viesť k vážnym poraneniam.
- Nepoužívajte také elektrické nástroje, ktoré majú defektný vypínač. Elektrické nástroje, na ktorých nie je možné vypnúť a zapnúť ich vypínač, sú nebezpečné a musia byť opravené.
- Nepoužívané elektrické nástroje skladujte mimo dosahu detí. Nedovoľte, aby používali prístroj také osoby, ktoré nie sú oboznámené s prístrojom alebo nečítali tieto pokyny. Elektrické nástroje sú nebezpečné, keď sú používané neskúsenými osobami.

**SK**

- Udržujte Vaše rezacie nástroje vždy ostré a vo vyčistenom stave. Starostlivo ošetrované rezacie nástroje s ostrými reznými hranami sa menej zasekávajú a je možné ich ľahšie viesť.
- V prípade poškodenia prípojného vedenia elektrického nástroja sa musí toto vedenie vymeniť za špeciálne upravené prípojné vedenie, ktoré je možné objednať prostredníctvom zákazníckeho servisu výrobcu.
- Nechajte Váš prístroj opravovať vždy len kvalifikovaným odborným personálom a vždy len s originálnymi náhradnými dielmi. Tým sa zabezpečí, že ostane zachovaná bezpečnosť tohto prístroja.
- Stroj musí byť umiestnený stabilne.
- Pred uvedením do prevádzky sa musia všetky kryty a bezpečnostné prípravky správne namontovať.
- Pílový kotúč musí môcť voľne bežať.
- Pri dreve, ktoré už bolo opracované, je potrebné dbať na cudzie telesá ako napr. klince alebo skrutky atď.
- Pred tým, než stlačíte vypínač zap/vyp, presvedčte sa o tom, že je pílový kotúč správne namontovaný a je zaručená ľahkosť chodu pohyblivých častí.
- Používajte upínacie zariadenia na pevné uchytenie obrábaného materiálu. Materiál je takto držaný bezpečnejšie ako Vašou rukou.
- Dodržiavajte predpisy pre mazanie a pre výmenu nástrojov.
- Udržujte rukoväte suché, čisté a zbavené od oleja a mastnoty.
- Posuvný prípravok alebo rukoväť pre posuvné porisko by sa malo vždy, keď sa práve nepoužíva, skladovať uložené na určenom mieste na stroji.
- Drážkovanie alebo žliabkovanie sa nesmie vykonávať bez toho, aby sa ponad pílový stôl nainštalovalo vhodné ochranné zariadenie, ako napr. tunelový ochranný prípravok.
- Počas transportu by mala byť horná strana pílového kotúča prikrytá, napríklad ochranným prípravkom.
- Na transport stroja prosím používajte výlučne len transportné rukoväte, ktoré sú

vystrihnuté po oboch stranách do krytu prístroja.

- Nikdy nepoužívajte ochranné zariadenia na manipuláciu alebo na transport.

### Starostlivo uschovajte tieto bezpečnostné pokyny

## 3. Popis prístroja

1. Pílový stôl
2. Ochrana pílového kotúča
3. Odsávací hadica
4. Rozovierací klin
5. Pílový kotúč
6. Stolná vložka
7. Paralelný doraz
8. Ručné koliesko
9. Nastavovacia a aretačná rukoväť
10. Podstavec
11. Vypínač zap/vyp
12. Vodiaca koľajnica
13. Priečny doraz
14. Rozšírenie stola
15. Predĺženie stola
16. Adaptér odsávania
17. Posuvný prípravok
18. Podstavcové nohy
19. Priečne priečky
20. Pozdĺžne priečky
21. Prostredné priečky, krátke
22. Prostredné priečky, dlhé
23. Gumené pätky
24. Podpera
25. Podpery stola, krátke
26. Podpery stola, dlhé
27. Skrutka s krídlovou maticou
28. Drážková diera v rozovieracom klini
29. Skrutka so zápusťou hlavou
30. Upevňovacia skrutka
31. Excentrická páka
32. Drážka
33. Vrúbkovaná skrutka
34. Laser
35. Vypínač laseru
36. Skrutky pre uloženie batérie
37. Kryt batérie
38. /39. Upevňovacie body



## 4. Obsah dodávky

- Otvorte balenie a opatrne vyberte prístroj von z balenia.
- Odstráňte obalový materiál ako aj obalové/transportné poistky (pokiaľ sú obsiahnuté).
- Skontrolujte, či obsah dodávky kompletný.
- Skontrolujte, či nedošlo k poškodeniu prístroja a príslušenstva transportom.
- Pokiaľ možno, uschovajte si obal až do konca záručnej doby.

### POZOR

**Prístroj a obalový materiál nie sú hračky! Deti sa nesmú hrať s plastovými vreckami, fóliami ani malými dielmi! Hrozí nebezpečenstvo prehltnutia a udusenia!**

- Originálny návod na obsluhu
- Pílový stôl s namontovaným, tvrdokovovým pílovým kotúčom, 24 zubov
- Tvrdokovový pílový kotúč, 48 zubov
- Ochrana pílového kotúča
- Odsávací hadica
- Rozovierací klin s laserom
- Batérie 1,5 V AAA (2x)
- Paralelný doraz
- Dorazová lišta
- Priečny doraz
- Rozšírenie stola (2x)
- Predĺženie stola
- Posuvný prípravok
- Podstavcové nohy (4x)
- Priečne priečky (2x)
- Pozdĺžne priečky (2x)
- Prostredné priečky, krátke (2x)
- Prostredné priečky, dlhé (2x)
- Gumené pätky (4x)
- Podpera (2x)
- Podpery stola, krátke (4x)
- Podpery stola, dlhé (2x)

### Montážny materiál

- a) Podložka M6 (52x)
- b) Matica (38x)
- c) Šesťhranná skrutka (52x)
- d) Imbusová skrutka (6x)
- n) Uzatváracia skrutka (2x)
- u) Položka M5 (6x)
- v) Poistná svorka

### Nástroje

- r) Vidlicový kľúč 10/13
- s) Uzatvorený kľúč 10/24
- t) Imbusový kľúč 4 mm

## 5. Správne použitie

Stolná kotúčová píla je určená na pozdĺžne a priečne rezanie (len s použitím priečného dorazu) dreva akéhokoľvek druhu s primeranou veľkosťou pre daný stroj. Guľatina akéhokoľvek druhu sa **nesmie** rezať na tomto stroji.

Prístroj smie byť použitý len na ten účel, na ktorý bol určený. Akékoľvek iné odlišné použitie sa považuje za nespĺňajúce účel použitia. Za škody alebo zranenia akéhokoľvek druhu spôsobené nesprávnym používaním ručí používateľ / obsluhujúca osoba, nie však výrobca.

Prosím berte ohľad na skutočnosť, že naše prístroje neboli svojim určením konštruované na profesionálne, remeselnícke ani priemyselné použitie. Nepreberáme žiadne záručné ručenie, ak sa prístroj bude používať v profesionálnych, remeselníckych alebo priemyselných prevádzkach ako aj na činnosti rovnocenné s takýmto použitím.

Povolené pre používanie s týmto strojom sú len vhodné pílové kotúče (pílové kotúče typu HM alebo CV). Používanie pílových kotúčov typu HSS a rozbrusovacích kotúčov akéhokoľvek druhu je zakázané. Súčasťou správneho účelového použitia prístroja je taktiež dodržiavanie bezpečnostných predpisov, ako aj návodu na montáž a pokyny k prevádzke nachádzajúce sa v návode na obsluhu.

**SK**

Osoby, ktoré obsluhujú stroj a vykonávajú jeho údržbu, musia byť s ním oboznámené a informované o možných nebezpečenstvách. Okrem toho sa musia prísne dodržiavať platné bezpečnostné predpisy proti úrazom. Treba dodržiavať aj ostatné všeobecné predpisy z oblasti pracovnej medicíny a bezpečnostnej techniky. Zmeny vykonané na stroji celkom anulujú ručenie výrobcu a ručenie za škody takto spôsobené. Napriek správneému účelovému použitiu sa nemôžu niektoré špecifické rizikové faktory celkom vylúčiť. Z dôvodu danej konštrukcie a stavby tohto stroja sa môžu vyskytnúť nasledujúce riziká:

- Kontakt s pílovým kotúčom v páliacej oblasti, ktorá nie je prikrytá.
- Siahnutie do bežiaceho pílového kotúča (rezné zranenie).
- Spätný úder obrobkov a častí obrobkov.
- Zlomenie pílového kotúča.
- Vymrštenie poškodených tvrdokovových častí pílového kotúča.
- Poškodenie sluchu pri nepoužívaní potrebnej ochrany sluchu.
- Emisie dreveného prachu poškodzujúce zdravie pri používaní v uzatvorených miestnostiach.

## 6. Technické údaje

Motor na striedavý prúd	230-240 V ~ 50 Hz
Výkon P	S6 40 % 1700 W
Otáčky pri voľnobehu $n_0$	6 500 min <sup>-1</sup>
Pílový kotúč zo spekaného karbidu	
	Ø 250 x Ø 30
Počet pílových zubov	24/48
Veľkosť stola	610 x 445 mm
Rozšírenie stola ľavé/pravé	608 x 250 mm
Predĺženie stola vzadu	435 x 320 mm
Výška rezu max.	73 mm / 90°
	63 mm / 45°
Plynulé výškové nastavenie	0 - 73 mm
Pílový kotúč plynulo výkyvný	0° - 45°
Odsávací prípojka	cca Ø 36 mm
Hmotnosť s podstavcom vrátane odnímateľných dielov:	cca 28,5 kg

### Prevádzkový režim S6

Meraná prevádzková doba/meraná doba pokoja (4 min. zap/6 min. vyp)  
Aby sa motor neprípustne nezahrieval, môžete stolnú kotúčovú pílu používať iba nasledovným spôsobom:

Po každom prevádzkovom cykle v dĺžke 4 minúty (S 6 = 40 %) pri normálnom prípustnom zaťažení musí nasledovať prestávka 6 minút, v ktorej je kotúčová píla vo voľnobehu.

### Hodnoty emisie hluku

Hodnoty hluku boli merané podľa EN 61029.

	Voľnobeh
Hladina akustického tlaku $L_{pA}$	101,0 dB (A)
Faktor neistoty $K_{pA}$	3 dB
Hladina akustického výkonu $L_{WA}$	111,0 dB (A)
Faktor neistoty $K_{WA}$	3 dB

### Používajte ochranu sluchu.

Pôsobenie hluku môže spôsobiť poškodenie sluchu.

Uvedené hodnoty sú namerané emisné hodnoty a nemusia tak zároveň predstavovať taktiež bezpečné hodnoty na pracovisku. Napriek tomu, že existuje korelácia medzi emisnými a imisnými hladinami, nemôže sa z toho spoľahlivo odvodíť to, či sú alebo nie sú potrebné dodatočné bezpečnostné opatrenia. Faktory, ktoré môžu ovplyvňovať momentálnu imisnú hladinu nachádzajúcu sa na pracovisku, sú medzi inými doba trvania vplyvov, druh pracovnej miestnosti, iné zdroje hlukov atď., napr. počet strojov a iných spríbusnených procesov. Spoľahlivé hodnoty na pracovisku sa môžu taktiež navzájom odlišovať v jednotlivých krajinách. Táto informácia však nemá používateľa oprávniť k tomu, aby neuskutočnil lepšie zhodnotenie ohrozenia a rizika.

### Obmedzte tvorbu hluku a vibráciu na minimum!

- Používajte len prístroje v bezchybnom stave.
- Pravidelne vykonávajte údržbu a čistenie prístroja.
- Prispôbte spôsob práce prístroju.
- Prístroj nepreťažujte.
- V prípade potreby nechajte prístroj skontrolovať.
- Prístroj vypnite, pokiaľ ho nepoužívate.

## 7. Pred uvedením do prevádzky

- Presvedčte sa pred zapojením prístroja do siete o tom, či údaje na typovom štítku prístroja súhlasia s údajmi elektrickej siete.
- Pripojte stroj iba na správne inštalovanú zásuvku s ochrannými kontaktmi, ktorá je zabezpečená istením minimálne 10 A.
- Vytiahnite vždy elektrický kábel zo siete predtým, než budete vykonávať nastavenie na prístroji.
- Vybaliť stolnú kotúčovú pílu a skontrolovať, či sa na nej nevyskytujú prípadné transportné poškodenia.
- Stroj musí byť stabilne postavený, t.j. na pracovnom stole, alebo pevne priskrutkovaný na stabilnom podstavcovom ráme.

- Pred uvedením do prevádzky sa musia všetky kryty a bezpečnostné prípravky správne namontovať.
- Pílový pás musí môcť voľne bežať.
- Pri dreve, ktoré už bolo opracované, je potrebné dbať na cudzie telesá ako napr. klince alebo skrutky atď.
- Pred tým, než stlačíte vypínač zap/vyp, presvedčte sa o tom, že je pílový kotúč správne namontovaný a je zaručená ľahkosť chodu pohyblivých častí.

## 8. Montáž

**Pozor! Pred všetkými údržbovými, prestavbovými a montážnymi prácami na kotúčovej píle sa musí vytiahnuť elektrický kábel zo siete.**

### 8.1 Montáž podstavcového rámu (obr. 4-9)

- Otočiť stolnú kotúčovú pílu hore nohami a položiť na podlahu.
- Štyri podstavcové nohy (18) voľne priskrutkovať so šesťhrannými skrutkami (c) a podložkami (a) na pílu (obr. 5).
- Teraz voľne priskrutkujte pozdĺžne priečky (20) a priečne priečky (19) ako aj štyri prostredné priečky (21, 22) so šesťhrannými skrutkami (c), podložkami (a) a maticami (b) na podstavcové nohy (obr. 6-7).
- Pritom dotiahnite šesťhranné skrutky (c) a matice (b) len zľahka.  
**Pozor:** Dlhšie priečky sa musia pri montáži použiť postranne.
- Potom nasunúť gumené pätky (23) na podstavcové nohy (obr. 8).
- Do otvorov v zadných podstavcových nohách priskrutkujte podpery (24), každú s 2 šesťhrannými skrutkami (c), podložkami (a) a maticami (b) (obr. 9).  
**Pozor!**  
**Obidve podpery sa musia pevne pripevniť na zadnej strane stroja na upevňovacích bodoch 38 a 39!**
- Nakoniec pevne utiahnuť všetky skrutky a matice podstavcového rámu.

SK

## 8.2 Montáž rozšírenia a predĺženia stola (obr. 10-14)

- Rozšírenie stola (14) a predĺženie stola (15) voľne upevniť na pílovom stole (1) pomocou imbusových skrutiek (d) a podložiek (u) (obr. 10-12). Na montáž rozšírenia stola použite zadné otvory (ktoré sú obrátené smerom k predĺženiu stola).
- Podpery stola (25, 26) voľne priskrutkovať na kryte kotúčovej píly pomocou šesťhranných skrutiek (c) a podložiek (u). Rovnako sa musia podpery stola (25, 26) voľne priskrutkovať aj na rozšírení resp. predĺžení stola pomocou šesťhranných skrutiek (c), podložky (a) a matice (b) (krátke podpery (25) sú určené pre rozšírenie, dlhé podpery (26) pre predĺženie stola) (obr. 13-14).
- Pílu s podstavcom otočte a postavte na podlahu.
- Rozšírenie a predĺženie stola zarovnať do roviny podľa pílového stola (1).
- Nakoniec pevne utiahnuť všetky skrutky.

## 8.3 Montáž / demontáž ochrany pílového kotúča (obr. 2, 15-16)

- Pred prvou montážou sa musia vložiť batérie laseru (pozri bod 9.9).
- Pri prvej montáži sa musí najskôr namontovať a nastaviť rozovierací klin (4). Postupujte pritom tak, ako to je popísané v odseku 8.5.
- Ochranu pílového kotúča (2) spolu so skrutkou (27) nasadíte zhora na rozovierací klin (4) tak, aby skrutka pevne sedela v drážkovej diere (28).
- Skrutku (27) nedoťahovať príliš pevne, ochrana pílového kotúča musí ostať voľne pohyblivá.
- Zasuňte odsávaciu hadicu (3) na odsávací adaptér (16) a na odsávaciu podporu ochrany pílového kotúča (2) a poistnou svorkou (v) priskrutkujte na odsávací adaptér (16). Na odsávací adaptér (16) napojte vhodné odsávacie zariadenie pilín.
- Demontáž sa uskutoční v opačnom poradí.

### **Pozor!**

**Pred zahájením pílenia musí byť ochrana pílového kotúča (2) spustená na spracovávaný materiál.**

## 8.4 Výmena stolnej vložky (obr. 17-18)

- Pri opotrebení alebo poškodení sa musí stolná vložka (6) vymeniť, v opačnom prípade vzniká zvýšené nebezpečenstvo poranenia.
- Odobrať ochranu pílového kotúča (2) (pozri bod 8.3).
- Odskrutkovať 2 skrutky so zápustnou hlavou (29).
- Vybrať opotrebovanú stolnú vložku (6).
- Montáž novej stolnej vložky sa uskutoční v opačnom poradí.

## 8.5 Nastavenie rozovieracieho klinu (obr. 19-20)

- **Pozor! Vytiahnuť kábel zo siete**
- Nastavenie pílového kotúča (5) sa musí skontrolovať po každej výmene pílového kotúča.
- Pílový kotúč (5) nastaviť na max. hĺbku rezu, nastaviť do 0° polohy a zaaretovať (pozri bod 9.2).
- Demontovať ochranu pílového kotúča (2) (pozri bod 8.3).
- Vybrať stolnú vložku (6) (pozri bod 8.4).
- Uvoľniť upevňovaciu skrutku (30).
- Rozovierací klin (4) posunúť smerom nahor tak, aby bol odstup medzi pílovým stolom (1) a hornou hranou rozovieracieho klinu (4) cca 10 cm.
- Odstup medzi pílovým kotúčom (5) a rozovieracím klinom (4) má byť max. 5 mm. (obr. 20)
- Upevňovaciu skrutku (30) znovu pevne dotiahnite a namontujte stolnú vložku (6) (pozri bod 8.4).
- Znovu namontujte ochranu pílového kotúča (2) (pozri bod 8.3).

## 8.6 Montáž/výmena pílového kotúča (obr. 21)

- **Pozor! Vytiahnuť kábel zo siete a používať ochranné rukavice.**
- Demontovať ochranu pílového kotúča (2) (pozri bod 8.3).
- Po uvoľnení dvoch skrutiek so zápustnou hlavou odobrať stolnú vložku (6) (pozri bod 8.4).
- Uvoľniť maticu tak, že sa jeden kľúč (veľk. 24) nasadí na maticu a druhý vidlicový kľúč

(veľk. 10) sa nasadí na hriadelí motora kvôli kontrovaniu proti pohybu.

- **Pozor!** Maticu točiť v smere rotácie pílového kotúča.
  - Odobrať vonkajšiu prírubu a odobrať pílový kotúč smerom šikmo nadol z vnútornej príruby.
  - Prírubu pílového kotúča sa musí pred montážou nového pílového kotúča dôkladne vyčistiť drôtenou kefou.
  - Pri vkladaní nového pílového kotúča postupujte v obrátenom poradí a pevne ho dotiahnite.
- Pozor! Dbajte na smer otáčania, rezná šikmina zubov musí ukazovať v smere otáčania, t.j. smerom vpred (pozri šípku na ochrane pílového kotúča).**
- Znovu namontovať a nastaviť stolnú vložku (6) ako aj ochranu pílového kotúča (2) (pozri body 8.3, 8.4).
  - Pred opätovným zahájením práce s kotúčovou pilou sa musí skontrolovať funkčnosť ochranných zariadení.

## 9. Obsluha

### 9.1. Vypínač zap/vyp (obr. 22/pol. 11)

- Stlačením zeleného tlačidla „I“ sa môže píla zapnúť. Pred zahájením pílenia je potrebné vyčakať, kým pílový kotúč nedosiahne maximálny počet otáčok.
- Aby sa píla znovu vypla, musí sa stlačiť červené tlačidlo „0“.

### 9.2. Hĺbka rezu (obr. 22)

- Otočením nastavovacej ručného kolieska (8) sa môže pílový kotúč (5) nastaviť na požadovanú hĺbku rezu.

Proti smeru otáčania hodinových ručičiek: zväčšenie hĺbky rezu

V smere otáčania hodinových ručičiek: zmenšenie hĺbky rezu

### 9.3. Nastavenie uhlu (obr. 22)

- Uvoľniť aretačnú rukoväť (9).
- Otočením rukoväte nastaviť požadovanú uhlovú mieru na stupnici.
- Zaaretovať aretačnú rukoväť v požadovanej uhlovej pozícii.

### 9.4 Paralelný doraz

#### 9.4.1. Výška dorazu (obr. 23 - 26)

- Dorazová lišta (e) paralelného dorazu (7) má dve rozdielne vysoké vodiace plochy.
- Podľa hrúbky rezaných materiálov sa musí použiť dorazová lišta (e) podľa obr. 25 pre hrubý materiál (nad 25 mm hrúbkou obrobku) a podľa obr. 26 pre tenký materiál (pod 25 mm hrúbkou obrobku).

#### 9.4.2 Otočenie dorazovej lišty (obr. 23-26)

- Na otočenie dorazovej lišty (e) povolte najskôr krídlové matice (f).
- Teraz sa dá dorazová lišta (e) vytiahnuť z vodiacej koľajnice (h) a s príslušným vedením sa do nej znovu nasunie.
- Znovu pevne dotiahnite krídlové matice (f).

#### 9.4.3 Šírka rezu (obr. 26 - 28)

- Pri pozdĺžnom pílení kusov dreva sa musí používať paralelný doraz (7).
- Paralelný doraz by mal byť namontovaný na pravej strane pílového kotúča (5).
- Nasadte paralelný doraz zhora na vodiacu koľajnicu pre paralelný doraz (12) (obr. 26).
- Na vodiacej koľajnici pre paralelný doraz (12) sa nachádzajú 2 stupnice (j/k), ktoré ukazujú vzdialenosť medzi dorazovou lištou (e) a pílovým kotúčom (5) (obr. 27).
- Vyberte si vhodnú stupnicu podľa toho, či je dorazová lišta (e) otočená na opracovanie hrubých alebo tenkých materiálov:

Vysoká dorazová lišta (hrubý materiál):  
Stupnica j

Nízka dorazová lišta (tenký materiál):  
stupnica k

- Paralelný doraz (7) nastavte na požadovanú mieru na priezore (l) a zafixujte pomocou excentrickej páky pre paralelný doraz (31).

SK

#### 9.4.4 Nastavenie dorazovej dĺžky (obr. 29)

- Aby sa zabránilo zablokovaniu rezaného materiálu v pile, je možné posúvať dorazovú lištu (e) v pozdĺžnom smere.
- Základné pravidlo: Zadný koniec dorazu naráža na pomyselnú priamku, ktorá začína približne v strede pílového kotúča a prebieha pod uhlom 45° smerom dozadu.
- Nastavte požadovanú šírku rezu.
- Povoľte krídlové matice (f) a dorazovú lištu (e) posúvajte dopredu tak ďaleko, až sa dotkne pomyselné 45° priamky.
- Znovu dotiahnuť krídlové skrutky (f).

#### 9.5 Nastavenie paralelného dorazu (obr. 30)

- Pílový kotúč (5) nastavte na maximálnu hĺbku rezu (pozri tiež bod 9.2).
- Paralelný doraz (7) nastavte tak, aby sa dorazová lišta (e) dotýkala pílového kotúča (5) (nastavenie pre hrubý materiál pozri tiež bod 9.4).
- Ak paralelný doraz (7) neleží rovnobežne s pílovým kotúčom (5), uvoľnite skrutky (m) na paralelnom doraze tak, aby sa dal paralelný doraz (7) vyrovať rovnobežne s pílovým kotúčom (5) (obr. 30).
- Znovu dotiahnuť skrutky (m).

#### 9.6 Priečny doraz (obr. 31-32)

- Priečny doraz (13) nasunúť do drážky (32) pílového stola.
- Uvoľniť ryhovanú skrutku (33).
- Otočiť priečny doraz (13) tak, aby sa nastavila požadovaná uhlová hodnota. Zárez (w) ukazuje nastavený uhol.
- Znovu dotiahnuť ryhovanú skrutku (33).
- Pri prirezávaní väčších častí materiálu, sa môže priečny doraz (13) predĺžiť pomocou dorazovej lišty (e) paralelného dorazu (7) (obr. 32).
- Na predĺženie priečného dorazu (13) s dorazovou lištou (e) sa musí z paralelného dorazu (7) odobrať dorazová lišta (e), vodiaca koľajnica (h) a krídlové matice (f) spolu s podložkami. Teraz sa namontuje dorazová lišta podľa znázornenia na obr. 32, použite k tomu uzatváracie skrutky (n).

#### Pozor!

- Dorazová lišta (e) sa nesmie vysunúť príliš ďaleko smerom k pílovému kotúču.
- Odstup medzi dorazovou lištou (e) a pílovým kotúčom (5) by mal byť cca 2 cm.

#### 9.7 Nastavenie stupnice priečného dorazu (obr. 33)

- Nastavte uhol dorazu na pílový kotúč (5) na 90°.
- Priečny doraz (13) spojte s dorazovou lištou (e) paralelného dorazu (7) (pozri tiež bod 9.4).
- Uvoľnite ryhovanú skrutku (33) priečného dorazu (13).
- Priečny doraz (13) dajte do takej polohy, aby bola dorazová lišta v 90° uhle k pílovému kotúču (5). Teraz presne vyrovnajte priečny doraz pomocou 90° uhla voči pílovému kotúču a ryhovanú skrutku (33) opäť pevne dotiahnite.
- Skontrolujte, či je uhol priečného dorazu presne 90°. Ak to tak nie je, pokračujte ďalej nasledovne:
  - Uvoľnite obidve skrutky (o), pomocou ktorých je stupnica (p) priečného dorazu (13) na ňom pripevnená tak, aby sa dala nastaviť do správnej polohy.
  - Potom skrutky (o) znovu pevne zaskrutkujte.

#### 9.8 Nastavenie stupnice na pílovom stole (obr. 28; 34)

- Zabezpečte, aby paralelný doraz (7) ležal rovnobežne s pílovým kotúčom (5) (pozri tiež bod 9.5).
- Paralelný doraz nastavte tak, aby sa dotýkal pílového kotúča (5) (pre nastavenie pre hrubý materiál pozri tiež bod 9.4)
- Uvoľnite skrutku (q), ktorou je stupnica (j; k) pripevnená na vodiacej koľajnici (12) o cca 2 otáčky.
- Nastavte stupnicu (j/k) tak, aby čiara v priezore (l) paralelného dorazu (7) prekryvala nulovú čiaru stupnice (j).
- Znovu dotiahnuť skrutku (q).

### 9.9 Použitie lasera (obr. 35-38)

- Laser (34) vám umožňuje vykonávať pomocou vašej kotúčovej píly presné rezy.
- Laserové svetlo sa vytvorí cez laserovú diódu, ktorá je napájaná dvomi batériami. Laserové svetlo sa rozšíri v tvare čiary a vystúpi cez laserový výstupný otvor. Čiaru môžete potom použiť ako optické označenie čiary rezu pri presnom rezaní. Dodržiavajte bezpečnostné pokyny pri práci s laserom.
- Vkladanie batérií:
  - Odoberte ochranu pílového kotúča (2) (pozri bod 8.3). Laser je namontovaný v rozovieracom kline (4) a je ľahko prístupný.
  - Prepňte vypínač lasera zap/vyp (35) do polohy 0 (laser vypnutý).
  - Odstráňte kryt priestoru pre batérie (37) po uvoľnení skrutiek (36) a otočte pridržiavacie platničky tak, aby už neblokovali kryt batérie (37). Vyklopte kryt priestoru pre batérie (37) nahor.
  - Založte batérie, dbajte pritom na dodržanie správnej polarizácie (pozri obr. 37).
  - Kryt priestoru pre batérie (37) opäť založte naspäť a pripevnite ho skrutkami (36).
- Znovu namontovať ochranu pílového kotúča (2).
- Zapnutie lasera: Vypínač lasera zap/vyp (35) prepňte na I. Vypínač lasera zap/vyp (35) je pri namontovanej ochrane pílového kotúča (2) ľahko prístupný cez otvor v tejto ochrane (obr. 38). Z laserového otvoru sa začne premietiť červený laserový lúč. Pokiaľ budete počas pílenia viesť laserový lúč popri vyznačení čiary rezu, podarí sa vám čisté rezy.
- Vypnutie lasera: Vypínač lasera zap/vyp (35) prepňte na 0. Laserový lúč zhasne. Prosím, laser vždy vypnite, pokiaľ ho nepoužívate, aby ste šetrili batérie.
- Laserový lúč môže byť blokovaný uloženým prachom a pilinami. Preto po každom použití odstráňte tieto častice z laserového otvoru (prístroj vypnutý).
- Poznámky k batériám: Keď laser dlhšiu dobu nepoužívate, vyberte batérie z ich priečinku. Vytečenie tekutiny z batérií by mohlo poškodiť prístroj.
- Batérie neodkladajte na ohrevné telesá ani ich dlhšiu dobu nevystavujte silnému

slniečnému žiareniu; teploty nad 50° by mohli prístroj poškodiť.

### 9.10 Nastavenie lasera (obr. 35)

Ak laser (34) nezobrazuje správnu čiaru rezu, je možné ho nastaviť. Za týmto účelom odskrutkujte skrutky (z) a postranným posúvaním nastavte laser tak, aby sa laserový lúč trafil presne na zuby pílového kotúča (5).

## 10. Prevádzka

### Pozor!!

- Po každom nastavení odporúčame vykonať skúšobný rez, aby sa tak skontrolovali nastavené miery.
- Po zapnutí píly je potrebné vyčekať, kým pílový kotúč nedosiahne maximálny počet otáčok, predtým než urobíte prvý rez.
- Pozor pri zahajovaní rezu!
- Prístroj používajte len so zapojeným odsávaním.
- Pravidelne kontrolujte a čistite odsávacie kanály.
- Vhodnosť pílových kotúčov:
  - 24 zubov: mäkké materiály, veľké oddeľovanie triesok, hrubý rez
  - 48 zubov: tvrdé materiály, menšie oddeľovanie triesok, jemný rez

### 10.1 Vykonávanie pozdĺžnych rezov (obr. 39)

Pri tomto reze sa rozreže obrobok v pozdĺžnom smere.

Jedna hrana obrobku sa pritlačí oproti paralelnému dorazu (7), pričom plochá strana leží na pílovom stole (1). Ochrana pílového kotúča (2) musí byť vždy spustená na spracovávaný obrobok.

Pracovný postoj pri pozdĺžnom reze nesmie byť nikdy v jednej línii s priebehom rezu.

- Paralelný doraz (7) nastaviť podľa výšky obrobku a požadovanej šírky rezu (pozri bod 9.4).
- Zapnúť pílu.
- Ruky so zovretými prstami položiť naplocho

SK

na obrobok a pozdĺž paralelného dorazu (7) posunúť obrobok do pílového kotúča (5).

- Postranné vedenie s ľavou alebo pravou rukou (podľa pozície paralelného dorazu) len po prednú hranu ochrany pílového kotúča (2).
- Obrobok pri pílení vždy posunúť až na koniec rozovieracieho klinu (4).
- Rezný odpad ostane na pílovom stole (1) ležať, až kým sa pílový kotúč (5) znovu nenachádza v pokojovej polohe.
- Dlhé obrobky zabezpečiť proti preváženiu a spadnutiu na konci procesu pílenia! (napr. rolovací stojan na konci apod.)

#### 10.1.1 Rezanie tenkých obrobkov (obr. 40)

Pozdĺžne rezy obrobkov so šírkou menšou ako 120 mm sa musia **bezpodmienečne** vykonávať pomocou posuvného prípravku (17). Posuvný prípravok je súčasťou objemu dodávky. **Opotrebený resp. poškodený posuvný prípravok ihneď vymeniť.**

#### 10.1.2 Rezanie veľmi tenkých obrobkov (obr. 41)

- Pri pozdĺžnych rezoch veľmi úzkych obrobkov so šírkou 30 mm a menej sa musí bezpodmienečne používať posuvné porisko.
- Prítom sa musí uprednostňovať nízka vodiaca plocha paralelného dorazu.
- **Posuvné porisko nie je súčasťou objemu dodávky! (Možné zakúpiť v špecializovaných predajniach). Opotrebované posuvné porisko je potrebné včas vymeniť.**

#### 10.1.3 Vykonávanie šikmých rezov (obr. 42)

Šikmé rezy sa zásadne vykonávajú s použitím paralelného dorazu (7).

- Nastaviť pílový kotúč (5) na požadovanú uhlovú hodnotu (pozri bod 9.3).
- Paralelný doraz (7) nastaviť podľa šírky a výšky obrobku (pozri bod 9.3).
- Rez vykonajte príslušne podľa od šírky obrobku (pozri bod 10.1.1 a 10.1.2).

#### 10.2 Vykonávanie priečných rezov (obr. 31, 43)

- Priečný doraz (13) nasunúť do jednej z drážok (32) pílového stola a nastaviť na požadovanú uhlovú mieru (pozri bod 9.6). Ak by sa mal pílový kotúč (5) dodatočne nastaviť na šikmo, potom sa musí použiť drážka (32), ktorá nedovolí, aby sa dostala Vaša ruka a priečný doraz do kontaktu s ochranou pílového kotúča.
- Prípadne použiť dorazovú lištu (e).
- Obrobok pevne zatlačiť oproti priečnému dorazu (13).
- Zapnúť pílu.
- Priečný doraz (13) a obrobok posunúť smerom k pílovému kotúču, aby sa vykonal požadovaný rez.
- **Pozor:**  
**Vždy pevne držte Vami vedený obrobok, nie voľný kus obrobku, ktorý bude odrezaný.**
- Priečný doraz (13) posunúť vždy tak dopredu, až sa obrobok kompletne celý prereže.
- Pílu opäť vypnúť. Odpad po pílení odstrániť až vtedy, keď sa pílový kotúč úplne zastaví.

#### 10.3 Rezanie trieskových dosiek

Aby sa zabránilo vylomeniu rezných hrán pri rezaní trieskových dosiek, nemal by byť pílový kotúč (5) nastavený vyššie ako 5 mm nad hrúbkou obrobku (pozrite tiež bod 9.2).

### 11. Výmena sieťového prípojného vedenia

Ak dôjde k poškodeniu sieťového vedenia tohto prístroja, musí byť vymenené výrobcom alebo jeho zákazníckym servisom alebo inou, podobne kvalifikovanou osobou, aby sa zabránilo vzniku nebezpečenstva.



## 12. Čistenie, údržba, skladovanie, transport a objednanie náhradných dielov

Pred všetkými údržbovými a čistiacimi prácami vytriahnite kábel zo siete.

### 12.1 Čistenie

- Udržujte ochranné zariadenia, vzduchové otvory a kryt motora vždy v čistom stave bez prachu a nečistôt. Utrite prístroj čistou utierkou alebo ho vyčistite vyfúkaním stlačeným vzduchom pri nastavení na nízky tlak.
- Odporúčame, aby ste prístroj čistili priamo po každom použití.
- Čistite prístroj pravidelne pomocou vlhkej utierky a malého množstva tekutého mydla. Nepoužívajte žiadne agresívne čistiace prostriedky ani riedidlá; tieto prostriedky by mohli napadnúť umelohmotné diely prístroja. Dbajte na to, aby sa do vnútra prístroja nedostala voda.

### 12.2 Uhlíkové kefky

Pri nadmernej tvorbe iskier nechajte uhlíkové kefky na prístroji skontrolovať odborným elektrikárom. Pozor! Uhlíkové kefky smú byť vymieňané len odborným elektrikárom.

### 12.3 Údržba

Vo vnútri prístroja sa nenachádzajú žiadne ďalšie diely vyžadujúce údržbu.

### 12.4 Skladovanie

Skladujte prístroj a jeho príslušenstvo na tmavom, suchom a nezamrzajúcom mieste mimo dosahu detí. Optimálna teplota pre skladovanie je medzi 5 až 30 °C. Skladujte tento elektrický prístroj v originálnom balení.

### 12.5 Transport

- Na transport stroja prosím používajte výlučne len transportné rukoväte (obr. 44), ktoré sú vystrihnuté po oboch stranách do krytu prístroja.
- Prístroj zabezpečte proti skĺznutiu, bezpečne ho príviažte.
- Nikdy nepoužívajte ochranné zariadenia na manipuláciu alebo na transport.

### 12.6 Objednávanie náhradných dielov

Pri objednávaní náhradných dielov je potrebné uviesť nasledovné údaje;

- Typ prístroja
- Výrobné číslo prístroja
- Identifikačné číslo prístroja

Aktuálne ceny a informácie nájdete na stránke [www.isc-gmbh.info](http://www.isc-gmbh.info)

## 13. Likvidácia a recyklácia

Prístroj sa nachádza v obale za účelom zabránenia poškodeniu pri transporte. Tento obal je vyrobený zo suroviny a tým pádom je ho možné znovu použiť alebo sa môže dať do zberu na recykláciu surovín. Prístroj a jeho príslušenstvo sa skladajú z rôznych materiálov, ako sú napr. kovy a plasty. Poškodené súčiastky odovzdajte na vhodnú likvidáciu špeciálneho odpadu. Informujte sa v odbornej predajni alebo na miestnych úradoch!



Len pre krajiny EÚ

Neodstraňujte elektrické prístroje ako domový odpad!

Podľa európskej smernice 2002/96/ES o odpade z elektrických a elektronických zariadení (OEEZ) a v súlade s národnými právnymi predpismi sa musia použité elektronické prístroje odovzdať do triedeného zberu a musí sa zabezpečiť ich špecifické spracovanie v súlade s ochranou životného prostredia (recyklácia).

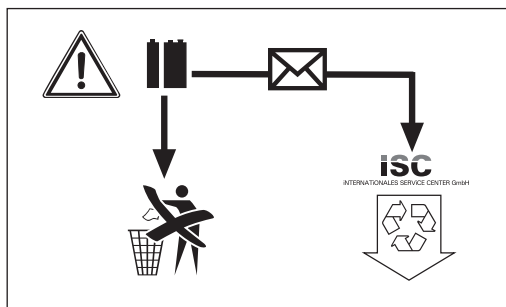
**SK**

Recyklačná alternatíva k výzve na spätné zaslanie výrobku:

Majiteľ elektrického prístroja je alternatívne namiesto spätnej zásielky povinný spolupracovať pri riadnej recyklácii prístroja v prípade vzdania sa jeho vlastníctva. Starý prístroj môže byť za týmto účelom taktiež prenechaný zbernému miestu, ktoré vykoná odstránenie v zmysle národného zákona o recyklácii a odpadovom hospodárstve.

Netýka sa to dielov príslušenstva, priložených k starým prístrojom a pomocných prostriedkov bez elektronických komponentov.

Batérie obsahujú materiály poškodzujúce životné prostredie. Batérie neodstraňujte spolu s domovým odpadom, nehádzte ich do ohňa ani do vody. Batérie je potrebné zbierať, recyklovať alebo likvidovať ekologickým spôsobom. Spotrebované batérie pošlite na adresu ISC GmbH, Eschenstraße 6, D-94405 Landau, Nemecko. Tu zaručuje výrobca odbornú likvidáciu batérií.



## 14. Vyhlasenie o zhode

Einhell Germany AG · Wiesenweg 22 · D-94405 Landau/Isar



## Konformitätserklärung

- erklärt folgende Konformität gemäß EU-Richtlinie und Normen für Artikel  
 explains the following conformity according to EU directives and norms for the following product  
 déclare la conformité suivante selon la directive CE et les normes concernant l'article  
 dichiara la seguente conformità secondo la direttiva UE e le norme per l'articolo  
 verklaart de volgende overeenstemming conform EU richtlijn en normen voor het product  
 declara la siguiente conformidad a tenor de la directiva y normas de la UE para el artículo  
 declara a seguinte conformidade, de acordo com a directiva CE e normas para o artigo  
 atterer følgende overensstemmelse i medfør af EU-direktiv samt standarder for artikel  
 förklarar följande överensstämmelse enl. EU-direktiv och standarder för artikeln  
 vakuuttaa, että tuote täyttää EU-direktiivin ja standardien vaatimukset  
 töendab toote vastavust EL direktiivile ja standarditele  
 vydává následující prohlášení o shodě podle směrnice EU a norem pro výrobek  
 potrjuje sledečo skladnost s smernico EU in standardi za izdelek  
 vydáva nasledujúce prehlásenie o zhode podľa smernice EÚ a noriem pre výrobok  
 a cikkekhez az EU-irányvonal és Normák szerint a következő konformitást jelenti ki  
 deklaruje zgodność wymienionego poniżej artykułu z następującymi normami na podstawie dyrektywy WE.  
 декларира съответното съответствие съгласно Директива на ЕС и норми за артикул  
 paskaidro šādu atbilstību ES direktīvai un standartiem  
 apibūdina šj atitikimą EU reikalavimams ir prekės normoms  
 declară următoarea conformitate conform directivei UE și normelor pentru articolul  
 δηλώνει την ακόλουθη συμμόρφωση σύμφωνα με την Οδηγία ΕΚ και τα πρότυπα για το προϊόν  
 potvrđuje sljedeću usklađenost prema smjernicama EU i normama za artikl  
 potvrđuje sljedeću usklađenost prema smjernicama EU i normama za artikl  
 potvrđuje sledeću usklađenost prema smernicama EZ i normama za artikal  
 следующим удостоверяется, что следующие продукты соответствуют директивам и нормам ЕС  
 проголошує про зазначену нижче відповідність виробу директивам та стандартам ЄС на виріб  
 ja izjavuva slednata soobraznost согласно EУ-директивата и нормите за артикли  
 Ürünü ile ilgili AB direktifleri ve normları gereğince aşağıda açıklanan uygunluğu belirtir  
 erklærer følgende samsvar i henhold til EU-direktivet og standarder for artikkel  
 Lýsir uppfyllingu EU-reglna og annarra staða vöru

## Tischkreissäge PTK 1700 A1 (Parkside)

- 2009/105/EC  
 2006/95/EC  
 2006/28/EC  
 2005/32/EC  
 2004/108/EC  
 2004/22/EC  
 1999/5/EC  
 97/23/EC  
 90/396/EC  
 89/686/EC\_96/58/EC
- 2006/42/EC  
 Annex IV  
 Notified Body: TÜV Rheinland LGA Products GmbH  
 Tillystraße 2, 90431 Nürnberg, Germany  
 Notified Body No.: 0197  
 Reg. No.: BM 50179485 0001
- 2000/14/EC\_2005/88/EC  
 Annex V  
 Annex VI  
 Noise: measured  $L_{WA}$  = dB (A); guaranteed  $L_{WA}$  = dB (A)  
 P = KW; LØ = cm  
 Notified Body:
- 2004/26/EC  
 Emission No.:

Standard references: EN 61029-1; EN 61029-2-1; EN 55014-1;  
EN 55014-2; EN 61000-3-2; EN 61000-3-3

Landau/Isar, den 29.01.2010

Weichselgartner/General Manager

Wentao/Product-Management

First CE: 10  
Art.-No.: 43.406.87 I.-No.: 11010  
Subject to change without notice

Archive-File/Record: 4340690-39-4177400-08  
Documents registrar: Siegfried Roider  
Wiesenweg 22, D-94405 Landau/Isar

# 15. ZÁRUČNÝ LIST

## Vážená zákazníčka, vážený zákazník,

naše výrobky podliehajú prísnej kontrole kvality. V prípade, že nebude prístroj napriek tomu bezchybne fungovať, je nám to veľmi ľúto a prosíme Vás, aby ste sa obrátili na našu servisnú službu na adrese uvedenej na tomto záručnom liste. Radi Vám budeme k dispozícii taktiež telefonicky na uvedenom servisnom telefónnom čísle. Pri uplatňovaní nárokov na záručné plnenie platia nasledujúce podmienky:

1. Tieto záručné podmienky upravujú dodatočné záručné plnenie. Vaše zákonné nároky na záruku nie sú touto zárukou dotknuté. Naše záručné plnenie je pre Vás zadarmo.
  2. Záručné plnenie sa vzťahuje výlučne len na nedostatky, ktoré sú spôsobené chybami materiálu alebo výrobnými chybami, a je obmedzené na odstránenie týchto nedostatkov resp. výmenu prístroja. Prosím, dbajte na to, že naše prístroje neboli svojim určením konštruované na profesionálne, remeselnícke ani priemyselné použitie. Táto záručná zmluva sa preto neuzatvára, ak sa prístroj bude používať v profesionálnych, remeselníckych alebo priemyselných prevádzkach ako aj na činnosti rovnocenné s takýmto použitím. Z našej záruky sú okrem toho vylúčené náhradné plnenie za škody pri transporte, škody spôsobené nedodržaním návodu na montáž alebo na základe neodbornej inštalácie, nedodržaním návodu na použitie (ako napr. pripojením na nesprávne sieťové napätie alebo druh prúdu), zneužívaním alebo nesprávnym používaním (ako napr. preťaženie prístroja alebo použitie neprípustných pracovných nástrojov alebo príslušenstva), nedodržaním pokynov pre údržbu a bezpečnostných pokynov, vniknutím cudzích telies do prístroja (ako napr. piesok, kamene alebo prach), použitím násillia alebo cudzieho pôsobenia (napr. škody spôsobené pádom), a taktiež je vylúčené bežné opotrebenie primerané použitiu. To sa týka predovšetkým akumulátorov, na ktoré napriek tomu garantujeme záručnú dobu 12 mesiacov.
- Nárok na záruku zaniká, ak už boli na prístroji svojvoľne uskutočnené zásahy.
3. Doba záruky je 3 roky a začína sa dátumom nákupu prístroja. Nároky na záruku sa musia uplatniť pred koncom uplynutia záručnej doby do dvoch týždňov od zistenia nedostatku. Uplatnenie nárokov na záruku po uplynutí záručnej doby je vylúčené. Oprava alebo výmena prístroja nevedie k predĺženiu záručnej doby ani nedochádza na základe tohto plnenia ku vzniku novej záručnej doby pre prístroj ani pre akékoľvek inštalované náhradné diely. To platí taktiež pri nasadení miestneho servisu.
  4. Pre uplatnenie nároku na záruku nám prosím zašlite defektný prístroj oslobodený od poštovného na dole uvedenú adresu. Priložte predajný doklad v origináli alebo iný doklad o zakúpení s dátumom. Prosím, starostlivo si preto uschovajte pokladničný blok ako doklad o zakúpení! Prosím, popíšte nám čo najpresnejšie dôvod reklamácie. Ak spadá defekt prístroja pod naše záručné plnenie, dostanete obratom naspäť opravený alebo nový prístroj.

Samozrejme Vám radi opravíme závady na prístroji na vaše náklady, ak tieto závady nespádajú alebo už nespádajú do rozsahu záruky. Prosím, pošlite nám v takom prípade prístroj na našu servisnú adresu.

**Einhell Slovakia s.r.o.**  
 Diaľničná cesta 18  
 903 01 Senec  
 Tel.: + 421 2 209037 87/88, Fax: + 421 2 20903795  
 E-mail: servissk@einhell.sk

<b>Sadržaj:</b>	<b>Stranica</b>
1. Uvod .....	111
2. Sigurnosne napomene .....	111-115
3. Opis uređaja .....	116
4. Sadržaj isporuke .....	116-117
5. Namjenska uporaba .....	117
6. Tehnički podaci .....	117-118
7. Prije puštanja u rad .....	118
8. Montaža .....	118-120
9. Rukovanje .....	120-122
10. Pogon .....	122-123
11. Zamjena mrežnog kabela .....	123
12. Čišćenje, održavanje, skladištenje, transport i narudžba rezervnih dijelova .....	123-124
13. Zbrinjavanje u otpad i recikliranje .....	124
14. Izjava o usklađenosti .....	125
15. Jamstveni list .....	126

Kopiranje ili umnožavanje dokumentacije i popratnih materijala o proizvodu, čak i djelomično, dopušteno je samo uz izričito dopuštenje tvrtke ISC GmbH.

Zadržavamo pravo na tehničke izmjene

HR

## Tumačenje simbola na uređaju



„UPOZORENJE – pročitajte upute za uporabu kako bi se smanjio rizik od ozljeđivanja“



**Nosite zaštitu za sluh.**

Buka može utjecati na gubitak sluha.



**Nosite masku za zaštitu od prašine.**

Kod obrade drva i drugih materijala može doći do stvaranja prašine štetne po zdravlje. Azbestni materijali ne smiju se obrađivati!



**Nosite zaštitne naočale.**

Iskre koje nastaju za vrijeme rada, iverje, piljevina i prašina koji izlaze iz uređaja mogu izazvati gubitak vida.



**Nosite zaštitne rukavice.**

Kod rukovanja s listovima pile morate uvijek nositi zaštitne rukavice.



**Pozor! Opasnost od ozljeđivanja!**

Ne zahvaćajte u rotirajući list pile!

## 1. Uvod

### ⚠ **Pozor!**

Tijekom uporabe uređaja morate se pridržavati sigurnosnih propisa kako biste spriječili nastanak ozljeda i šteta. Zato pažljivo pročitajte ove upute za uporabu / sigurnosne napomene. Dobro ih sačuvajte tako da Vam informacije u svako doba budu na raspolaganju. Ako biste trebali ovaj uređaj predati drugim osobama, molimo da im prosljedite i ove upute za uporabu. Ne preuzimamo jamstvo za štete nastale zbog nepridržavanja ovih uputa za uporabu i sigurnosnih napomena.

## 2. Sigurnosne napomene

### ⚠ **UPOZORENJE**

**Pročitajte sve sigurnosne napomene i upute.** Posljedica nepridržavanja sigurnosnih napomena i uputa može biti električni udar, požar i/ili teške ozljede.

**Sačuvajte sve sigurnosne napomene i upute za ubuduće.**

### 2.1 Opće napomene o sigurnom radu elektrouređaja

**Pozor! Prilikom korištenja elektroalata treba se pridržavati sljedećih sigurnosnih mjera za zaštitu od električnog udara, ozljeđivanja i požara. Prije nego što počnete koristiti uređaj, pročitajte i pridržavajte se ovih napomena.**

1. **Svoje radno područje držite urednim**  
Nered u radnom području uzrokuje opasnost od nezgode.
2. **Obratite pozornost na utjecaje okoline**  
Ne izlažite elektroalate kiši. Ne koristite elektroalate u vlažnoj ili mokroj okolini. Pobrinite se za dobru rasvjetu. Ne koristite elektroalate u blizini zapaljivih tekućina ili plinova.
3. **Zaštitite se od električnog udara**  
Izbjegavajte dodir tijela s uzemljenim dijelovima, npr. cijevima, grijaćim tijelima, štednjacima, hladnjacima.
4. **Djecu držite podalje!**  
Ne dopustite drugim osobama da dodiruju alat ili kabel, držite ih podalje od Vašeg radnog područja.
5. **Alate čuvajte na sigurnom mjestu**  
Alate koji se ne koriste treba čuvati na suhom, zaključanom mjestu izvan dohvata djece.
6. **Ne preopterećujte alate**  
Radit ćete bolje i sigurnije u navedenom području snage.
7. **Upotrijebite pravi alat**  
Za teške radove ne koristite preslabe alate ili uređaje.  
Ne koristite alate u svrhe i za radove za koje nisu namijenjeni; npr. ne koristite ručnu kružnu pilu za obaranje stabala ili rezanje grana.
8. **Nosite prikladnu radnu odjeću**  
Ne nosite široku odjeću niti nakit. Mogli bi ih zahvatiti pokretni dijelovi. Prilikom radova na otvorenom preporučujemo da nosite gumene rukavice i obuću u kojoj se ne skliže. Nosite mrežicu za dugu kosu.
9. **Koristite zaštitne naočale**  
Kod radova kod kojih se stvara prašina nosite masku za zaštitu dišnih puteva.
10. **Ne koristite kabel u svrhe za koje nije namijenjen**  
Ne nosite alat držeći ga za kabel i ne koristite kabel za izvlačenje utikača iz utičnice. Mrežni kabel zaštitite od vrućine, ulja i oštih bridova.
11. **Osigurajte radni komad**  
Da biste radni komad fiksirali, koristite stezne naprave ili škripac. Na taj je način on je sigurnije fiksiran nego u Vašim rukama i omogućuje rukovanje strojem objema rukama.
12. **Ne remetite stabilnost Vašeg radnog položaja**  
Izbjegavajte nenormalni položaj tijela. Pobrinite se za siguran položaj i uvijek držite ravnotežu.
13. **Pažljivo njegujte svoje alate**  
Da biste alatima mogli dobro i sigurno raditi, uvijek ih čistite i oštrite. Pridržavajte se propisa o održavanju i napomena kod zamjene alata. Redovito kontrolirajte utikač i

kabel i u slučaju da se oštete, dajte ovlaštenom električaru da ih zamijeni. Redovito kontrolirajte produžni kabel i zamijenite ga ako je oštećen. Ručke moraju biti suhe i očišćene od ulja i masti.

#### 14. Izvucite utikač iz strujne utičnice

U slučaju nekorištenja, prije održavanja i kod zamjene alata, kao npr. lista pile, svrdla i strojnih alata svih vrsta.

#### 15. Ne ostavljajte utaknut ključ za alat

Prije uključivanja provjerite jesu li ključ i alati za podešavanje uklonjeni.

#### 16. Izbjegavajte pokretanje uređaja bez nadzora

Ne nosite alate koji su priključeni na strujnu mrežu držeći prst na prekidaču. Provjerite je li sklopka isključena prilikom uključivanja uređaja u strujnu mrežu.

#### 17. Produžni kabel na otvorenom

Na otvorenom koristite samo za to dopuštene i na odgovarajući način označene produžne kabele.

#### 18. Uvijek budite na oprezu

Promatrajte što radite. Razumno započnite s radom. Ne koristite alat, ako niste usredotočeni na posao.

#### 19. Provjerite ima li na uređaju oštećenja

Prije daljnje uporabe alata mora se dobro provjeriti funkcioniraju li zaštitne naprave ili neznatno oštećeni dijelovi besprijekorno i namjenski. Provjerite funkcioniraju li pokretni dijelovi propisno i ne zapinju li odnosno jesu li oštećeni. Sve dijelove morate ispravno montirati kako bi se zajamčio siguran rad uređaja. Oštećene zaštitne naprave i dijelove mora stručno popraviti ili zamijeniti ovlašteni servis, osim ako u uputama za uporabu nije drukčije navedeno. Oštećenu sklopku neka zamijeni servisna služba. Ne koristite alate kod kojih se sklopka ne može uključiti i isključiti.

#### 20. Pozor!

Za Vašu vlastitu sigurnost koristite samo pribor i dodatne uređaje koji su navedeni u uputama za uporabu ili ih je preporučio i naveo proizvođač alata. Korištenje drugačijeg alata ili pribora od onog koji se preporuča u uputama za uporabu ili katalogu može za Vas predstavljati

opasnost od ozljeđivanja.

#### 21. Popravke smije obavljati samo kvalificirani električar

Ovaj elektroalat odgovara relevantnim sigurnosnim odredbama. Popravke smije obavljati samo električar, u suprotnom može doći do nesreće po korisnika.

#### 22. Priključite napravu za odsisavanje prašine

Ako postoje priključci za naprave za odsisavanje prašine, provjerite jesu li one priključene i koriste li se.

## 2.2 Specijalne sigurnosne napomene

### 2.2.1 Sigurnosne mjere

- Nemojte koristiti deformirane ili napukle listove pile.
- Zamijenite istrošene umetke stola.
- Koristite samo listove pile koje je preporučio proizvođač i koji odgovaraju normi EN 847-1. Kod zamjene lista pile obratite pažnju na to da širina reza ne bude manja od debljine osnovnog tijela lista pile niti veća od debljine klina za cijepanje.
- Pripazite na to da odaberete list pile prikladan za materijal koji ćete rezati.
- Ako je potrebno, nosite prikladnu osobnu zaštitnu opremu. Ona može sadržavati:
  - zaštitu za sluh zbog izbjegavanja rizika od naglušnosti;
  - zaštitu dišnih organa zbog izbjegavanja rizika od udisanja opasne prašine.
  - Kod rukovanja listovima pile i grubim materijalima nosite zaštitne rukavice. Listovi pile uvijek se moraju čuvati u prikladnoj futroli u upotrebljivom stanju.
- Kod rezanja drva kružnu pilu treba priključiti na napravu za usisavanje prašine. Sljedeći faktori mogu utjecati na stvaranje prašine:
  - istrošeni, oštećeni ili napukli listovi pile
  - preporučena snaga uređaja za usisavanje: 20 m/s
  - Radni komad trebate voditi pravilno.
- Ne smijete koristiti listove pile od visokolegiranog brzoreznog čelika (HSS-čelik).
- Komad za guranje ili ručka drveta za guranje trebali bi kod nekorištenja uvijek biti odloženi na stroju.



## 2.2.2 Sigurnosne napomene za laser



**Pozor:  
Lasersko zračenje  
Nemojte gledati u zraku  
Klasa lasera 2**

**Achtung  
Laserstrahlung  
Nicht in den Strahl blicken!**

Laserspezifikation  
nach EN 60825-1  
Laser Klasse 2 RLM-08  
λ: 650 nm P: ≤ 1 mW

Zaštitite sebe i svoju okolinu prikladnim mjerama opreza od nesreća.

- Ne gledajte nezaštićenim očima direktno u lasersku zraku.
- Nikad ne gledajte u izvor zrake.
- Lasersku zraku nemojte usmjeravati na reflektirajuće površine, osobe ili životinje. Čak i laserska zraka neznatne snage može oštetiti oči.
- Oprez - ako se izvodi drugačiji postupak od ovdje navedenog, to bi moglo dovesti do opasne ekspozicije zračenja.
- Nikad nemojte otvarati laserski modul.

## 2.2.3 Sigurnosne napomene za baterije

Korištenje baterija

- Prije nego umetnete baterije, provjerite nalazi li se prekidač lasera (35) u položaju „0“.
- Umetanje baterija dok je laser uključen može izazvati nesreću.
- Ako se baterije koriste na neodgovarajući način, mogu iscuriti. Izbjegavajte kontakt s tekućinom baterije. Ako dođete u kontakt s tekućinom baterije, isperite taj dio tijela tekućom vodom. Ako bi tekućina baterije dospjela u oči, odmah potražite liječničku pomoć.
- Istekla tekućina baterije može uzrokovati nadražaje kože i opekline.
- Ne izlažite baterije prekomjernoj toplini kao što je sunčeva svjetlost, vatra ili slično.
- Nikad ne pokušavajte ponovno puniti baterije koje nisu za to namijenjene.

Opasnost od eksplozije!

- Držite baterije podalje od djece, ne spajajte ih kratko niti ih ne rastavljajte.
- Ako se baterija proguta, odmah potražite liječničku pomoć.
- Prije umetanja po potrebi očistite kontakte baterija i uređaja.
- Kod umetanja pripazite na pravilan polaritet.
- Ispražnjene baterije odmah izvadite iz uređaja. Postoji povećana opasnost od curenja.
- Uvijek mijenjajte sve baterije istovremeno.
- Umećite samo baterije istog tipa, ne koristite različite tipove baterija ili rabljene i nove zajedno.
- Provjerite jeste li uređaj nakon uporabe isključili.
- Ako dulje vrijeme ne koristite uređaj, izvadite baterije.

## 2.2.4 Popravak i servis

- Sljedeći elementi mogu utjecati na buku na radnom mjestu korisnika.
  - vrsta lista pile (npr. listovi pile koji smanjuju stvaranje buke)
  - materijal radnog komada
  - snaga kojom se radni komad gura prema listu pile
- Čim otkrijete greške na stroju, uključujući i one na zaštitnim napravama i listu pile, odmah to dojavite osobi odgovornoj za sigurnost na radu.

## 2.2.5 Siguran rad

- Koristite komad za guranje ili ručku s drvom za guranje kako biste radni komad sigurno vodili pored lista pile.
- Koristite klin za cijepanje i podesite ga pravilno.
- Koristite gornju zaštitu lista pile i podesite je pravilno.
- Nemojte raditi žljebove ni utore bez prikladne zaštitne naprave kao npr. tunelske zaštitne naprave koja se stavlja iznad stola pile.
- Kružne pile ne smiju se koristiti za izradu proreza (utor u radnom komadu).
- Koristite samo listove pile čija najveća dopuštena brzina nije manja od maksimalne brzine vretena stolne kružne pile i materijala

koji režete.

- Kod transportiranja stroja koristite samo transportna sredstva, a nikad zaštitne naprave za rukovanje ili transport.
- Za vrijeme transporta gornji dio lista pile trebao bi biti pokriven, primjerice zaštitnom napravom.
- Duge radne komade osigurajte na završetku rezanja od prevrtanja (npr. stalkom).

### 2.2.6 Dodatne napomene

- Prosljedite sigurnosne napomene svim osobama koje će raditi sa strojem.
- Nemojte koristiti pilu za rezanje ogrjevnog drva.
- Izbjegavajte poprečno rezanje okruglih drva.
- Oprez! Zbog rotirajućeg lista pile postoji opasnost od ozljeđivanja ruku i prstiju.
- Stroj je opremljen sigurnosnom sklopkom protiv ponovnog uključivanja u slučaju nestanka napona.
- Prije nego što ćete priključiti stroj, provjerite je li napon mreže u skladu s podacima na tipskoj pločici.
- Ako trebate produžni kabel, provjerite je li njegov presjek dovoljan za provođenje struje za rad pile. Najmanji presjek 1 mm<sup>2</sup>.
- Kolut s kabelom koristite samo ako je kabel odmotan.
- Provjerite mrežni kabel. Nemojte koristiti neispravne ili oštećene kabele.
- Osoba koja rukuje uređajem mora imati najmanje 18 godina. 16 godišnjaci mogu raditi samo pod nadzorom.
- Radno mjesto održavajte čistim od drvenog otpada i razbacanih dijelova.
- Ne skrećite pozornost osobama koje rade na stroju.
- Obratite pažnju na smjer vrtnje motora i lista pile.
- Nakon isključivanja pogona ni u kojem slučaju nemojte list pile zaustavljati bočnim pritiskom.
- Montirajte samo dobro nabrušene, cijele i nedeformirane listove pile.
- Sigurnosne naprave na stroju ne smiju se demontirati niti onesposobljavati.
- Neispravni listovi pile moraju se odmah

zamijeniti.

- Ne koristite listove pile koji ne odgovaraju karakteristikama navedenim u ovim uputama za uporabu.
- Provjerite rade li sve naprave koje prekrivaju list pile besprijekorno.
- **Pozor:** Ovom pilom ne smiju se izrezivati početni rezovi.
- Oštećene ili neispravne sigurnosne naprave obavezno zamijenite.
- Klin za cijepanje predstavlja važnu zaštitnu napravu koja vodi radni komad i sprječava zatvaranje proreza iza lista pile kao i povratni udarac radnog komada. Pritom pripazite na debljinu klina za cijepanje. Klin za cijepanje ne smije biti tanji od tijela lista pile i deblji od širine proreza.
- Kod svakog radnog koraka morate spustiti poklopac na radni komad.
- Kod uzdužnog rezanja uskih radnih komada obavezno koristite komad za guranje (širine manje od 120 mm).
- Ne režite premale komade koje ne možete sigurno držati rukama.
- Kod izrezivanja uskih komada drveta paralelni graničnik morate fiksirati na desnoj strani lista pile.
- Radni položaj Vam uvijek mora biti sa strane lista pile.
- Ne opterećujte stroj tako da se zaustavi.
- Radni komad uvijek čvrsto pritisnite na stol pile.
- Pripazite na to da zupčasti vijenac lista pile ne zahvati i odbaci odrezani komad drveta.
- Sve zaštitne i sigurnosne naprave moraju se montirati odmah nakon obavljenog popravka ili radova održavanja.
- Pridržavajte se proizvođačevih napomena o sigurnosti, načinu rada i održavanja kao i dimenzija navedenih u Tehničkim podacima.
- Morate se pridržavati zakonskih odredaba o sprječavanju nesreća na radu kao i ostalih opće priznatih sigurnosno-tehničkih pravila.
- Pridržavajte se pravilnika strukovnog udruženja.
- Kod svake radnje priključite napravu za odsisavanje prašine. Osoba koja rukuje strojem mora biti obaviještena o uvjetima koji utječu na stvaranje prašine, npr. o vrsti

radnog komada koji se obrađuje (opseg i izvor), značaju lokalnog filtriranja i podešenosti poklopaca / provodnih limenih kanala / odvoda).

- Pila smije raditi samo s prikladnom napravom za odsisavanje ili uobičajenim industrijskim usisavačem.
- Nikad ne uklanjajte iverje, piljevinu ili ukliještene dijelove drveta dok list pile radi.
- Kod uklanjanja smetnji ili ukliještenih drvenih komada isključite stroj.
  - Izvucite mrežni utikač -
- Kod povećanog procjepa za pilu zamijenite umetak stola.
  - Izvucite mrežni utikač -
- Ovaj alat odgovara relevantnim sigurnosnim odredbama.
- Držite Vaše radno mjesto čistim i pospremljenim. Nered i nedovoljno osvijetljeno radno područje mogu dovesti do nesreća.
- Držite uređaj podalje od kiše i vlage. Prodiranje vode u električni uređaj povećava rizik od električnog udara.
- Budite oprezni, pripazite što činite i prionite radu s elektroalatom savjesno. Nemojte koristiti uređaj ako ste umorni ili pod utjecajem droge, alkohola ili medikamenata. Trenutak nepažnje kod uporabe elektrouređaja može dovesti do ozbiljnih ozljeda.
- Ne koristite električni alat čiji je prekidač neispravan. Električni alat koji se više ne može uključiti ili isključiti je opasan i mora se popraviti.
- Nekorišteni električni alat odložite na mjesto izvan dohvata djece. Ne dopustite uporabu uređaja osobama koje nisu upoznate s njegovim radom ili nisu pročitale ove upute. Električni alati su opasni ako ih koriste osobe bez odgovarajućeg iskustva.
- Alati za rezanje moraju uvijek naoštreni i čisti. Pažljivo održavani alati za rezanje s nabrušenim oštricama manje zapinju i lakše ih je voditi.
- Ako je kabel za priključivanje elektroalata oštećen, morate ga zamijeniti specijalno pripremljenim kabelom koji možete nabaviti u servisu.
- Svoj uređaj predajte na popravak samo

kvalificiranom, stručnom osoblju uz korištenje originalnih rezervnih dijelova. Na taj će se način zadržati siguran rad uređaja.

- Stroj treba postaviti tako da bude stabilan.
- Prije puštanja u rad moraju se montirati svi poklopci i sigurnosne naprave.
- List pile mora se slobodno kretati.
- Drvo koje ćete obrađivati provjerite na eventualno zaostala strana tijela, kao npr. čavle ili vijke i sl.
- Prije nego uključite sklopku za uključivanje/isključivanje provjerite da li je list pile pravilno montiran i kreću li se pokretni dijelovi lako.
- Da biste radni komad fiksirali, koristite stezne naprave. Tako će biti bolje fiksiran nego Vašim rukama.
- Pridržavajte se napomena o podmazivanju i zamjeni alata.
- Ručke moraju biti suhe i slobodne od ulja i masti.
- Komad za guranje ili ručka drveta za guranje trebali bi kod nekorištenja uvijek biti odloženi na stroju.
- Nemojte raditi žlijebove nit utore bez prikladne zaštitne naprave kao npr. tunelske zaštitne naprave koja se stavlja iznad stola pile.
- Za vrijeme transporta gornji dio lista pila trebao bi biti pokriven, primjerice zaštitnom napravom.
- Za transportiranje stroja koristite samo odgovarajuće ručke koje se nalaze na obje strane uređaja udubljene u kućištu.
- Za manipuliranje strojem ili njegov transport nikad ne koristite zaštitne naprave.

**Dobro pohranite ove sigurnosne napomene.**

### 3. Opis uređaja

1. Stol pile
2. Zaštita lista pile
3. Usisno crijevo
4. Klin za cijepanje
5. List pile
6. Umetak stola
7. Paralelni graničnik
8. Ručni kotač
9. Ručica za podešavanje i fiksiranje
10. Postolje
11. Sklopka za uključivanje/isključivanje
12. Vodilica
13. Poprečni graničnik
14. Proširenje stola
15. Produženje stola
16. Adapter za usisavanje prašine
17. Komad za guranje
18. Nogari
19. Poprečne potpore
20. Uzdužne potpore
21. Srednje potpore, kratke
22. Srednje potpore, duge
23. Gumene stopice
24. Okvir
25. Oslonci za stol, kratki
26. Oslonci za stol, dugi
27. Vijak s krilatim maticom
28. Uzdužna rupa u klinu za cijepanje
29. Vijak s upuštenom glavom
30. Vijak za pričvršćivanje
31. Ekscentrična poluga
32. Utor
33. Nazubljeni vijak
34. Laser
35. Prekidač lasera
36. Vijci pretinca za baterije
37. Poklopac za baterije
38. /39. Pričvršne točke

### 4. Sadržaj isporuke

- Otvorite pakovinu i pažljivo izvadite uređaj.
- Uklonite materijal za pakiranje kao i osigurače pakovine i transporta (ako postoje).
- Provjerite je li sadržaj isporuke potpun.
- Provjerite ima li na uređaju i dijelovima pribora transportnih oštećenja.
- Po mogućnosti sačuvajte pakovinu do isteka jamstvenog roka.

#### POZOR

**Uređaj i materijal za pakiranje nisu dječje igračke! Djeca se ne smiju igrati s plastičnim vrećicama, folijama i sitnim dijelovima! Postoji opasnost od gutanja i gušenja!**

- Originalne upute za rad
- Stol pile s prethodno montiranim listom pile od tvrdog metala s 24 zupca
- List pile od tvrdog metala s 48 zubaca
- Zaštita lista pile
- Usisno crijevo
- Klin za cijepanje s laserom
- Baterije 1,5 V AAA (2x)
- Paralelni graničnik
- Granična vodilica
- Poprečni graničnik
- Proširenje stola (2x)
- Produženje stola
- Komad za guranje
- Nogar (4x)
- Poprečne potpore (2x)
- Uzdužne potpore (2x)
- Srednje potpore, kratke (2x)
- Srednje potpore, duge (2x)
- Gumene stopice (4x)
- Okvir (2x)
- Oslonci za stol, kratki (4x)
- Oslonci za stol, dugi (2x)

**Materijal za montažu**

- a) Podložna pločica M6 (52x)
- b) Matica (38x)
- c) Šesterokutni vijak (52x)
- d) Imbus vijak (6x)
- n) Torban vijak (2x)
- u) Podložna pločica M5 (6x)
- v) Sigurnosna obujmica

**Alat**

- r) Viljuškasti ključ 10/13
- s) Prstenasti ključ 10/24
- t) Imbus ključ 4 mm

**5. Namjenska uporaba**

Stolna kružna pila služi za uzdužno i poprečno rezanje (samo s poprečnim graničnikom) drva svih vrsta, u skladu s veličinom stroja. **Ne** smiju se rezati okrugla drva bilo koje vrste.

Uređaj se smije koristiti samo namjenski. Svaka drugačija uporaba nije namjenska. Za štete ili ozljede svih vrsta nastale zbog nenamjenskog korištenja odgovoran je korisnik/rukovatelj a nikako proizvođač.

Molimo da obratite pažnju na to da naši uređaji nisu pogodni za korištenje u komercijalne, obrtničke ili industrijske svrhe. Ne preuzimamo jamstvo ako se uređaj koristi u komercijalne i industrijske svrhe kao i u sličnim djelatnostima.

Smiju se koristiti samo listovi pile koji su prikladni za ovaj stroj (listovi od tvrdog metala ili krom-volframa). Zabranjena je uporaba HSS listova pile i ploča za rezanje svih vrsta. Sastavni dio namjenske uporabe predstavlja i pridržavanje sigurnosnih napomena kao i uputa za montažu i napomena za rad navedenih u uputama za uporabu.

Osobe koje rukuju strojem ili ga održavaju moraju se upoznati s prije navedenim i biti upućene u moguće opasnosti. Pritom se treba točno pridržavati važećih propisa o sprječavanju nesreća pri radu. Obratite pozornost na ostala opća pravila koja vrijede u

medicini rada i sigurnosno-tehničkim područjima. Promjene na stroju isključuju jamstvo proizvođača i iz tog nastale štete. Unatoč svrsishodnoj uporabi ipak mogu nastati određeni faktori rizika. Uvjetovano konstrukcijom i ustrojstvom stroja mogu nastati sljedeći rizici:

- Dodirivanje lista pile u nepokrivenom području.
- Dodirivanje rotirajućeg lista pile (poretina)
- Izbacivanje radnih komada i njihovih dijelova.
- Lomovi lista pile.
- Izbacivanje neispravnih dijelova lista pile od tvrdog metala.
- Oštećenje sluha zbog nekorištenja potrebne zaštite za sluh.
- Emisije drvene prašine opasne po zdravlje u slučaju korištenja u zatvorenim prostorima.

**6. Tehnički podaci**

Izmjenični motor:	230-240 V ~ 50Hz
Snaga P	S6 40 % 1700 W
Broj okretaja u praznom hodu $n_0$	6500 min <sup>-1</sup>
List pile od tvrdog metala	Ø 250 x Ø 30
Broj zubaca	24/48
Veličina stola	610 x 445 mm
Proširenje stola lijevo/desno	608 x 250 mm
Produženje stola straga	435 x 320 mm
Visina rezanja maks.	73 mm / 90° 63 mm / 45°
Kontinuirano podešavanje visine	0 - 73 mm
List pile, kontinuirano okretiv	0° - 45°
Usisni priključak	oko Ø 36 mm
Težina s postoljem uključuje dijelove koji se mogu skinuti:	oko 28,5 kg

**Vrsta pogona S6**

Dimenzionirano trajanje rada/Dimenzionirano trajanje mirovanja (4 min. uklj./6 min. isklj.)

Da se motor ne bi nedopušteno zagrijavao, stolna kružna pila smije se koristiti samo na sljedeći način:

Nakon rada od 4 minute (S 6 = 40 %) uz normalno dopušteno opterećenje mora uslijediti faza stanke od 6 minuta tijekom koje će se pila hladiti.

**Vrijednosti emisije buke**

Vrijednosti buke određene su prema normi EN 61029.

	Prazni hod
Razina zvučnog tlaka $L_{pA}$	101,0 dB (A)
Nesigurnost $K_{pA}$	3 dB
Intenzitet buke $L_{WA}$	111,0 dB (A)
Nesigurnost $K_{WA}$	3 dB

**Nosite zaštitu za sluh.**

Buka može utjecati na gubitak sluha. Navedene vrijednosti su vrijednosti emisije i ne moraju istovremeno predstavljati sigurne vrijednosti na dotičnom radnom mjestu. Iako postoji korelacija između razine emisije i imisije, ne može se pouzdano utvrditi jesu li potrebne dodatne mjere opreza ili ne. Faktori koji mogu utjecati na sadašnju razinu imisije na radnom mjestu obuhvaćaju trajanje utjecaja, svojstva radnog prostora, ostale izvora buke itd., npr. broj strojeva i drugih susjednih radnih procesa. Pouzdane vrijednosti na radnom mjestu mogu isto tako varirati od države do države. Ove informacije mogu korisniku pomoći da bolje procijeni opasnosti i rizike.

**Ograničite stvaranje buke i vibracije na minimum!**

- Koristite samo besprijekorne uređaje.
- Redovito čistite i održavajte uređaj.
- Prilagodite uređaju Vaš način rada.
- Ne preopterećujte uređaj.
- Po potrebi predajte uređaj na provjeru.
- Ako ne koristite uređaj, isključite ga.

**7. Prije puštanja u rad**

- Prije priključivanja provjerite odgovaraju li podaci na tipskoj pločici podacima o mreži.
- Stroj priključite samo na utičnicu s propisno instaliranim zaštitnim kontaktom koja je osigurana s minimalno 10 A.
- Prije nego što počinjete podešavati stroj, uvijek izvucite mrežni utikač.
- Raspakirajte stolnu kružnu pilu i provjerite ima li eventualnih transportnih oštećenja.
- Stroj se mora postaviti stabilno, što znači pričvrstiti na radni stol ili stabilno postolje.
- Prije puštanja u rad moraju se montirati svi poklopci i sigurnosne naprave.
- List pile mora se slobodno kretati.
- Drvo koje ćete obrađivati provjerite na eventualno zaostala strana tijela, kao npr. čavle ili vijke i sl.
- Prije nego aktivirate sklopku za uključivanje/isključivanje provjerite je li list pile pravilno montiran i kreću li se pokretni dijelovi lako.

**8. Montaža**

**Pozor! Prije svih radova održavanja, preinake i montaže na pili trebate izvući mrežni utikač.**

**8.1 Montaža postolja (slike 4- 9)**

- Okrenite stolnu kružnu pilu i položite je na pod.
- Labavo pričvrstite četiri nogara (18) pomoću šesterokutnih vijaka (c) i podložnih pločica (a) na pilu (slika 5).
- Sad labavo pričvrstite uzdužne (20) i poprečne potpore (19) kao i četiri srednje potpore (21, 22) pomoću šesterokutnih vijaka (c), podložnih pločica (a) i matice (b) na nogare (slika 6-7).
- Pritom samo lagano pritegnite šesterokutne vijke (c) i matice (b).  
**Pozor:** Duže potpore morate smjestiti bočno.
- Sad natakните gumene stopice (23) na nogare (slika 8).
- U rupe na stražnjim nogarima pričvrstite

okvir (24) pomoću 2 šesterokutna vijka (c), podložnih pločica (a) i matica (b) (slika 9).

**Pozor!**

**Oba nogara morate pričvrstiti na poleđinu stroja na mjestima za pričvršćivanje 38 i 39!**

- Na kraju pritegnite sve vijke i matice postolja.

**8.2 Montaža proširenja i produženja stola (slike 10- 14)**

- Labavo pričvrstite proširenje (14) i produženje stola (15) na stol pile (1) pomoću imbus vijaka (d), i podložnih pločica (u) (slika 10- 12). Za montažu proširenja stola upotrijebite stražnje rupe (koje su okrenute prema produženju stola).
- Pomoću šesterokutnih vijaka (c) i podložnih pločica (u) lagano pričvrstite oslonce za stol (25, 26) na kućište stolne kružne pile. Isto tako moraju se lagano pričvrstiti oslonci za stol (25, 26) na proširenje odnosno produženje stola pomoću šesterokutnih vijaka (c), podložne pločice (a) i matice (b) (kraći oslonci (25) za proširenje, duži (26) za produženje) (slike 13- 14)
- Okrenite pilu s postoljem i postavite je na pod.
- Proširenje i produženje stola poravnajte sa stolom pile (1).
- Na kraju pritegnite sve vijke.

**8.3 Montaža / demontaža zaštite lista pile (slika 2, 15-16)**

- Prije prve montaže treba umetnuti baterije za laser (vidi 9.9).
- Prilikom prve montaže prvo se mora montirati i podesiti klin za cijepanje (4). Postupite na način opisan u odlomku 8.5.
- Natakните zaštitu lista pile (2) zajedno s vijkom (27) odozgo na klin za cijepanje (4), tako da vijak čvrsto usjedne u uzdužnu rupu (28).
- Vijak (27) nemojte čvrsto pritegnuti; zaštita lista pile mora biti slobodno gibljiva.
- Natakните usisno crijevo (3) na adapter (16) i usisni nastavak na zaštitu lista pile (2) i osigurajte ga obujmicom (v) na adapteru za usisavanje (16). Na adapter (16) priključite prikladnu napravu za odsisavanje piljevine.

- Demontaža se izvodi obrnutim redoslijedom.

**Pozor!**

**Prije početka rezanja morate spustiti zaštitu lista pile (2) na materijal koji režete.**

**8.4 Zamjena umetaka za stol (slika 17-18)**

- Kod trošenja ili u slučaju oštećenja stolni umetak (6) treba zamijeniti jer u suprotnom postoji povećana opasnost od ozljeđivanja.
- Skinite zaštitu lista pile (2) (vidi 8.3).
- Uklonite 2 vijka s upuštenom glavom (29).
- Izvadite istrošeni umetak stola (6).
- Montaža novog umetka za stol slijedi obrnutim redoslijedom.

**8.5 Podešavanje klina za cijepanje (slika 19- 20)**

- **Pozor! Izvucite mrežni utikač.**
- Podešenost klina za cijepanje (5) mora se provjeriti nakon svake zamjene lista pile.
- Podesite list pile (5) na maks. dubinu rezanja, dovedite u položaj 0° i aretirajte ga (vidi 9.2).
- Demontirajte zaštitu lista pile (2) (vidi 8.3)
- Izvadite umetak stola (6) (vidi 8.4)
- Otpustite vijak za pričvršćivanje (30).
- Klin za cijepanje (4) pomaknite prema gore tako da razmak između stola pile (1) i gornjeg ruba klina za cijepanje (4) iznosi od oko 10 cm.
- Razmak između lista pile (5) i klina za cijepanje (4) mora biti maks. 5 mm. (sl. 20)
- Ponovno pritegnite vijke (30) i montirajte umetak za stol (6) (vidi 8.4).
- Ponovno montirajte zaštitu lista pile (2) (v. 8.3).

**8.6 Montaža/zamjena lista pile (slika 21)**

- **Pozor! Izvucite mrežni utikač i stavite zaštitne rukavice.**
- Demontirajte zaštitu lista pile (2) (vidi 8.3).
- Uklonite umetak za stol otpuštanjem dvaju vijaka s upuštenom glavom (vidi 8.4).
- Otpustite maticu pomoću ključa (SW 24) a drugim, viljuškastim ključem (SW 10) kontrirajte na osovini motora.
- **Pozor!** Maticu okrećite u smjeru rotacije lista pile.

- Skinite vanjsku prirubnicu i stari list pile s unutrašnje prirubnice ukoso prema dolje.
- Prije montaže novog lista pile žičanom četkom temeljito očistite prirubnicu.
- Ponovno stavite novi list pile obrnutim redom i učvrstite ga.  
**Pozor! Obratite pozornost na smjer vrtnje, kosina rezanja zubaca mora pokazivati u smjeru vrtnje, što znači pokazivati prema naprijed (vidi strelicu na zaštiti lista pile).**
- Ponovno montirajte i podesite umetak za stol (6) kao i zaštitu lista pile (2) (vidi 8.3, 8.4).
- Prije nego što ćete opet raditi s pilom, provjerite funkcioniranje zaštitnih naprava.

## 9. Rukovanje

### 9.1 Sklopka za uključivanje/isključivanje (slika 22/poz. 11)

- Pritiskom na zelenu tipku „I“ pila se uključuje. Prije početka rezanja pričekajte da list pile postigne maksimalni broj okretaja.
- Da biste pilu ponovno isključili, morate pritisnuti crvenu tipku „0“.

### 9.2. Dubina rezanja (slika 22)

- Okretanjem ručnog kotača (8) list pile (5) može se podesiti na željenu dubinu rezanja.

Suprotno od kazaljke na satu:  
veća dubina rezanja

u smjeru kazaljke na satu:  
manja dubina rezanja

### 9.3. Podešavanje kuta (slika 22)

- Otpustite ručicu za fiksiranje (9).
- Okretanjem ručice podesite željenu mjeru kuta na skali.
- Aretirajte ručicu za fiksiranje u željenom kutnom položaju.

## 9.4 Paralelni graničnik

### 9.4.1. Visina graničnika (slike 23-26)

- Granična letva (e) paralelnog graničnika (7) posjeduje dvije različite visine površina za vođenje.
- Ovisno o debljini materijala koji režete morate koristiti graničnu letvu (e) prema slici 25, za deblji materijal (preko 25 mm debljine radnog komada) i prema slici 26 za tanji materijal (manje od 25 mm debljine radnog komada).

### 9.4.2 Okretanje granične letve (slike 23- 26)

- Za okretanje granične letve (e) najprije otpustite krilate matice (f).
- Sad možete ukloniti graničnu letvu (e) s vodilice (h) i opet je umetnuti s odgovarajućim bridom.
- Pritegnite krilate matice (f).

### 9.4.3 Širina rezanja (slike 26-28)

- Kod uzdužnog rezanja dijelova drveta mora se koristiti paralelni graničnik (7).
- Paralelni graničnik trebao bi se montirati s desne strane lista pile (5).
- Stavite paralelni graničnik odozgo na vodilicu za paralelni graničnik (12) (slika 26).
- Na vodilici za paralelni graničnik (12) nalaze se 2 skale (j/k) koje pokazuju razmak između granične letve (e) i lista pile (5) (slika 27).
- Birajte odgovarajuću skalu ovisno o tome, je li granična letva (e) namještena za obradu debljeg ili tanjeg materijala:

Visoka granična letva (deblji materijal):  
skala j

Niska granična letva (tanji materijal):  
skala k

- Podesite paralelni graničnik (7) na željenu mjeru na kontrolnom staklu (l) i fiksirajte ga ekscentričnom polugom za paralelni graničnik (31).



#### 9.4.4 Podešavanje dužine graničnika (slika 29)

- Da bi se spriječilo zapinjanje materijala koji režemo, granična letva (e) može se pomicati u uzdužnom smjeru.
- Iskustveno pravilo: Stražnji kraj graničnika dodiruje zamišljenu liniju koja započinje negdje u sredini lista pile i ide pod 45° prema natrag.
- Podesite potrebnu širinu rezanja.
- Otpustite krilate matice (f) i pomaknite graničnu letvu (e) naprijed toliko da dodiruje zamišljenu liniju pod 45°.
- Ponovno pritegnite krilate matice (f).

#### 9.5 Justiranje paralelnog graničnika (slika 30)

- Podesite list pile (5) na maks. dubinu rezanja (vidi također točku 9.2).
- Paralelni graničnik (7) podesite tako da granična letva (e) dodiruje list pile (podešenost za deblji materijal, vidi točku 9.4).
- Ako paralelni graničnik (7) nije u liniji s listom pile (5), otpustite vijke (m) toliko da se paralelni graničnik (7) poravna s listom pile (5) (slika 30).
- Ponovno pritegnite vijke (m).

#### 9.6 Poprečni graničnik (sl. 31- 32)

- Gurnite poprečni graničnik (13) u utor (32) stola pile.
- Olabavite nazubljeni vijak (33).
- Okrenite poprečni graničnik (13) tako da se podesi željeni kut. Urez (w) pokazuje podešeni kut.
- Ponovno pritegnite nazubljeni vijak (33).
- Kod izrezivanja većih dijelova radnih komada poprečni graničnik (13) s graničnom letvom (e) možete odmaknuti od paralelnog graničnika (7) (slika 32).
- Da biste produžili poprečni graničnik (13) s graničnom letvom (e), morate s paralelnog graničnika (7) skinuti graničnu letvu (e), vodilicu (h) i krilate matice (f) zajedno s podložnim pločicama. Sad montirajte graničnu letvu, kao što prikazuje slika 32, za to koristite torban vijke (n).

#### Pozor!

- Graničnu letvu (e) nemojte pomaknuti predaleko u smjeru lista pile.
- Razmak između granične letve (e) i lista pile (5) trebao bi biti oko 2 cm.

#### 9.7 Justiranje skale poprečnog graničnika (slika 33)

- Postavite granični kut od 90° na list pile (5).
- Spojite poprečni graničnik (13) s graničnom letvom (e) paralelnog graničnika (7) (vidi također točku 9.4).
- Otpustite nazubljeni vijak (33) poprečnog graničnika (13).
- Poprečni graničnik (13) pozicionirajte tako da granična letva bude pod kutem od 90° prema listu pile (5). Sad poravnajte poprečni graničnik pomoću kuta od 90° točno prema listu pile i ponovno pritegnite nazubljeni vijak (33).
- Provjerite pokazuje li poprečni graničnik točno 90°. Ako to nije slučaj, molimo da postupite na sljedeći način:  
Otpustite oba vijka (o) s kojima je skala (p) pričvršćena na poprečni graničnik (13) toliko, da se ona može podesiti na točan položaj.  
- Sad opet pritegnite vijke (o).

#### 9.8 Justiranje skale na stolu pile (slike 28, 34)

- Provjerite je li paralelni graničnik (7) u liniji s listom pile (5) (vidi također točku 9.5).
- Paralelni graničnik podesite tako da dodiruje list pile (5) (podešenost za deblji materijal, vidi točku 9.4).
- Vijak (q) pomoću kojeg je montirana skala (j, k) na vodilicu (12) otpustite za oko 2 okretaja.
- Skalu (j/k) podesite tako da se crtica na kontrolnom staklu (l) paralelnog graničnika (7) poklopi s nultom linijom skale (j).
- Ponovno pritegnite vijak (q).

#### 9.9 Korištenje lasera (slika 35- 38)

- Laser (34) Vam omogućava precizno rezanje kružnom pilom.
- Svjetlo lasera proizvodi laserska dioda koju strujom opskrbljuju dvije baterije. Svjetlo lasera sužava se u liniju i izlazi kroz otvor

lasera. Ovu liniju tada možete koristiti kao optičku oznaku linije preciznog rezanja. Pročitajte napomene o sigurnosti pri radu s laserom.

- Korištenje baterija:
  - Uklonite zaštitu s lita pile (2) (vidi 8.3). Laser je montiran na klin za cijepanje (4) i sad je lako pristupačan.
  - Postavite sklopku Laser uključen/isključen (35) na položaj 0 (laser isključen).
  - Uklonite poklopac s pretinca za baterije (37) tako da otpustite vijke (36) i okrenete pridržne pločice pričvršćene na vijcima tako da se poklopac na pretincu za baterije (37) više ne može blokirati. Sad otklopite poklopac s pretinca za baterije (37) prema gore.
  - Umetnite baterije, pripazite pritom na točan polaritet (vidi sliku 37).
  - Ponovno stavite poklopac na pretinac baterija (37) i pričvrstite ga vijcima (36).
- Ponovno montirajte zaštitu lista pile (2).
- Uključivanje lasera: Sklopku Laser uključen/isključen (35) stavite na položaj I. Sklopka Laser uključen/isključen (35) je kod montirane zaštite lista pile (2) lako dostupna kroz otvor u zaštiti (slika 38). Iz otvora lasera sad se projicira crvena laserska zraka. Ako se tijekom rezanja laserska zraka vodi duž oznake linije rezanja, dobit ćete besprijekorne rezove.
- Isključivanje lasera: Sklopku Laser uključen/isključen (35) stavite na položaj 0. Laserska zraka nestaje. Da biste očuvali baterije, uvijek isključite laser kad ga ne koristite.
- Lasersku zraku može blokirati nataložena prašina i strugotina. Zbog toga nakon svake uporabe (uređaj je isključen) uklonite čestice prašine ili strugotine s otvora lasera.
- Napomene u vezi baterija: Ako duže vrijeme ne biste koristili laser, izvadite baterije iz pretinca. Istjecanje tekućine iz baterije moglo bi oštetiti uređaj.
- Ne ostavljajte baterije na grijaćim tijelima niti ih ne izlažite jakom sunčevom zračenju dulje vrijeme; temperature više od 50° mogle bi oštetiti uređaj.

### 9.10 Justiranje lasera (slika 35)

Ako laser (34) više ne pokazuje ispravnu liniju rezanja, treba ga iznova justirati. Otpustite vijke (z) i bočnim pomicanjem podesite laser tako da laserska zraka pogodi zupce lista pile (5).

## 10. Pogon

### Pozor!!

- Nakon svakog novog podešavanja preporučujemo probno rezanje kako biste provjerili podešene mjere.
- Nakon uključivanja pile, pričekajte da list pile postigne svoj maksimalni broj okretaja prije nego ćete izvršiti rezanje.
- Oprez prilikom urezivanja!
- Uređaj smijete koristiti samo s dijelom za usisavanje.
- Redovito kontrolirajte i čistite usisne kanale.
- Namjena listova pile:
  - 24 zubaca: meki materijali, velika količina odrezanog materijala, grubo rezanje
  - 48 zubaca: tvrdi materijali, mala količina odrezanog materijala, fino rezanje

### 10.1 Izvođenje uzdužnih rezova (sl. 39)

Ovdje se radni komad prorezuje u svojem uzdužnom smjeru.

Jedan rub radnog komada pritisne se na paralelni graničnik (sl. 7) dok ravna strana naliježe na stol pile (1). Zaštita lista pile (2) mora uvijek nalijegati na radni komad. Radni položaj kod uzdužnog rezanja ne smije nikad biti u jednoj liniji sa stazom rezanja.

- Paralelni graničnik (7) podesite u skladu s visinom radnog komada i željenom širinom (vidi 9.4).
- Uključite pilu.
- Položite ruke sa skupljenim prstima ravno ne radni komad i gurajte radni komad s paralelnim graničnikom (7) duž lista pile (5).
- Bočnu vodilicu vodite lijevom ili desnom rukom (ovisno o položaju paralelnog graničnika) samo do prednjeg ruba zaštite lista pile (2).
- Radni komad uvijek progurajte do kraja

- klina za cijepanje (4).
- Otpaci rezanja ostaju na stolu (1) tako dugo dok se list pile (5) ne zaustavi.
- Dugačke radne komade osigurajte od prevrtanja na kraju procesa rezanja (npr. stalkom itd.).

#### 10.1.1 Rezanje uskih radnih komada (slika 40)

Uzdužno rezanje radnih komada širine manje od 120 mm morate **obavezno** izvoditi pomoću komada za guranje (17). Komad za guranje sadržan je u isporuci. **Istrošen odnosno oštećen komad za guranje obavezno zamijenite.**

#### 10.1.2 Rezanje vrlo uskih radnih komada (slika 41)

- Uzdužno rezanje vrlo uskih radnih komada širine manje od 30 mm pa i manje morate obavezno izvoditi pomoću drva za guranje.
- Pri tome prednost imaju površine granične vodilice s manjom visinom.
- **Drvo za guranje ne spada u sadržaj isporuke! (Može se nabaviti u specijaliziranoj trgovini) Pravovremeno zamijenite istrošeno drvo za guranje.**

#### 10.1.3 Izvođenje kosih rezova (sl. 42)

Kosi rezovi izvode se u principu uz korištenje paralelnog graničnika (7).

- List pile (5) podesite na željeni kut (vidi 9.3).
- Paralelni graničnik (7) podesite prema širini i visini radnog komada (vidi 9.3).
- Napravite rez prema širini radnog komada (vidi 10.1.1 i 10.1.2).

#### 10.2 Izvođenje poprečnih rezova (sl. 31, 43)

- Gurnite poprečni graničnik (13) u jedan od dvaju utora (32) stola pile i podesite na željeni kut (vidi 9.6). Ako bi list pile (5) trebalo dodatno podesiti ukoso, tada treba koristiti utor (32) koji ne dopušta da vaša ruka i poprečni graničnik dođu u kontakt sa zaštitom lista pile.
- Po potrebi koristite graničnu letvu (e).
- Radni komad čvrsto pritisnite na poprečni graničnik (13).
- Uključite pilu.
- Da biste napravili rez, gurnite poprečni

graničnik (13) i radni komad u smjeru lista pile.

- **Pozor: Uvijek čvrsto držite radni komad koji vodite, nikad slobodni komad koji se odrezuje.**
- Poprečni graničnik (13) gurajte toliko da radni komad bude potpuno prorezan.
- Ponovno isključite pilu. Otpad rezanja uklonite tek kad se list pile zaustavi.

#### 10.3 Rezanje iverice

Da bi se spriječio lom rubova prilikom rezanja iverice, list pile (5) ne bi se smio namjestiti više od 5 mm preko debljine radnog komada (vidi također 9.2).

## 11. Zamjena mrežnog kabela

Ako se kabel za priključivanje ovog uređaja na mrežu ošteti, mora ga zamijeniti proizvođač ili njegova servisna služba ili slična kvalificirana osoba kako bi se izbjegle opasnosti.

## 12. Čišćenje, održavanje, skladištenje, transport i narudžba rezervnih dijelova

Prije svih radova čišćenja izvucite mrežni utikač.

#### 12.1 Čišćenje

- Zaštitne naprave, prolaze za zrak i kućište motora treba uvijek očistiti od prašine i nečistoća. Istrljajte uređaj čistom krpom ili ga ispušite komprimiranim zrakom pod niskim tlakom.
- Preporučujemo da očistite uređaj odmah nakon svake uporabe.
- Redovito čistite uređaj mokrom krpom i s malo kalijevog sapuna. Ne koristite otapala ili sredstva za čišćenje; ona bi mogli oštetiti plastične dijelove uređaja. Pripazite na to da u unutrašnjost uređaja ne dospije voda.

### 12.2 Ugljene četkice

U slučaju prekomjernog iskrenja kontrolu ugljenih četkica prepustite električaru. Pozor! Ugljene četkice smije zamijeniti samo kvalificirani električar.

### 12.3 Održavanje

U unutrašnjosti uređaja nema dijelova koje bi trebalo održavati.

### 12.4 Skladištenje

Čuvajte uređaj i njegov pribor na tamnom i suhom mjestu bez mogućnosti smrzavanja kao i na djeci nepristupačnom mjestu. Optimalna temperatura skladištenja je između 5 i 30°C. Elektroalat čuvajte u originalnoj ambalaži.

### 12.5 Transport

- Za transportiranje stroja koristite samo odgovarajuće ručke (slika 44) koje se nalaze na obje strane uređaja udubljene u kućištu.
- Osigurajte uređaj od klizanja, dobro ga svežite.
- Za manipuliranje strojem ili njegov transport nikad ne koristite zaštitne naprave.

### 12.6 Naručivanje rezervnih dijelova

Kod naručivanja rezervnih dijelova trebali biste navesti sljedeće podatke:

- Tip uređaja
- Broj artikla uređaja
- Identifikacijski broj uređaja

Aktualne cijene nalaze se na internetskoj stranici [www.isc-gmbh.info](http://www.isc-gmbh.info)

## 13. Zbrinjavanje u otpad i recikliranje

Uređaj je zapakiran kako bi se tijekom transporta spriječila oštećenja. Ovo pakiranje je sirovina i može se ponovno upotrijebiti ili predati na reciklažu. Uređaj i njegov pribor sastavljeni su od raznih materijala, kao npr. metal i plastika. Neispravne sklopove odložite u specijalan otpad. Raspitajte se u specijaliziranoj trgovini ili općinskoj upravi!



Samo za zemlje članice EU

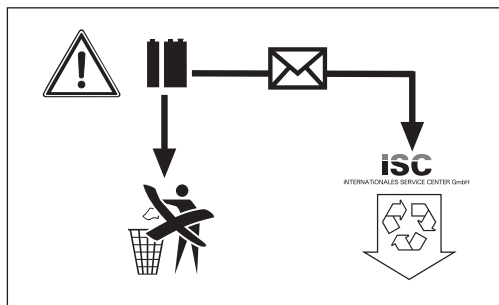
Elektroalate nemojte bacati u kućno smeće!

Prema europskoj odredbi 2002/96/EG o starim električnim i elektroničkim uređajima i njenim prijenosom u nacionalno pravo, istrošeni električni alati trebaju se posebno sakupljati i na ekološki način zbrinuti na mjestu za reciklažu.

Alternativa s recikliranjem nasuprot zahtjevu za povrat:

Vlasnik električnog uređaja alternativno je obavezan da umjesto povrata uređaja u slučaju odricanja vlasništva sudjeluje u stručnom zbrinjavanju uređaja. Stari uređaj može se u tu svrhu predati mjestu za preuzimanje takvih uređaja koje provodi uklanjanje u smislu državnih zakona o otpadu i recikliranju. To se ne odnosi na dijelove pribora i pomoćna sredstva bez električnih sastavnih dijelova koji su dodani starim uređajima.

Baterije sadrže materijale koji štete okolišu. Baterije nemojte bacati u kućno smeće, vatru niti vodu. Treba ih sakupiti, reciklirati ili zbrinuti na ekološki prihvatljiv način. Istrošene baterije pošaljite na adresu iSC GmbH, Eschenstraße 6 u D-94405 Landau. Tamo će proizvođač zbrinuti baterije na stručan način.



## 14. Izjava o usklađenosti

Einhell Germany AG · Wiesenweg 22 · D-94405 Landau/Isar



## Konformitätserklärung

- erklärt folgende Konformität gemäß EU-Richtlinie und Normen für Artikel  
 explains the following conformity according to EU directives and norms for the following product  
 déclare la conformité suivante selon la directive CE et les normes concernant l'article  
 dichiara la seguente conformità secondo la direttiva UE e le norme per l'articolo  
 verklaart de volgende overeenstemming conform EU richtlijn en normen voor het product  
 declara la siguiente conformidad a tenor de la directiva y normas de la UE para el artículo  
 declara a seguinte conformidade, de acordo com a directiva CE e normas para o artigo  
 atterer følgende overensstemmelse i medfør af EU-direktiv samt standarder for artikel  
 förklarar följande överensstämmelse enl. EU-direktiv och standarder för artikeln  
 vakuuttaa, että tuote täyttää EU-direktiivin ja standardien vaatimukset  
 töendab toote vastavust EL direktiivile ja standarditele  
 vydává následující prohlášení o shodě podle směrnice EU a norem pro výrobek  
 potrjuje sledečo skladnost s smernico EU in standardi za izdelek  
 vydáva nasledujúce prehlásenie o zhode podľa smernice EÚ a noriem pre výrobok  
 a cikkekez az EU-irányvonal és Normák szerint a következő konformitást jelenti ki  
 deklaruje zgodność wymienionego poniżej artykułu z następującymi normami na podstawie dyrektywy WE.  
 декларира съответното съответствие съгласно Директива на ЕС и норми за артикул  
 paskaidro šādu atbilstību ES direktīvai un standartiem  
 apibūdina šj atitikimą EU reikalavimams ir prekės normoms  
 declară următoarea conformitate conform directivei UE și normelor pentru articolul  
 δηλώνει την ακόλουθη συμμόρφωση σύμφωνα με την Οδηγία ΕΚ και τα πρότυπα για το προϊόν  
 potvrđuje sljedeću usklađenost prema smjernicama EU i normama za artikl  
 potvrđuje sljedeću usklađenost prema smjernicama EU i normama za artikl  
 potvrđuje sledeću usklađenost prema smernicama EZ i normama za artikal  
 следующим удостоверяется, что следующие продукты соответствуют директивам и нормам ЕС  
 проголошує про зазначену нижче відповідність виробу директивам та стандартам ЄС на виріб  
 ja izjavuva slednata soobraznost согласно EУ-директивата и нормите за артикли  
 Ürünü ile ilgili AB direktifleri ve normları gereğince aşağıda açıklanan uygunluğu belirtir  
 erklærer følgende samsvar i henhold til EU-direktivet og standarder for artikkel  
 Lýsir uppfyllingu EU-reglna og annarra staða vöru

## Tischkreissäge PTK 1700 A1 (Parkside)

- 2009/105/EC  
 2006/95/EC  
 2006/28/EC  
 2005/32/EC  
 2004/108/EC  
 2004/22/EC  
 1999/5/EC  
 97/23/EC  
 90/396/EC  
 89/686/EC\_96/58/EC
- 2006/42/EC  
 Annex IV  
 Notified Body: TÜV Rheinland LGA Products GmbH  
 Tillystraße 2, 90431 Nürnberg, Germany  
 Notified Body No.: 0197  
 Reg. No.: BM 50179485 0001
- 2000/14/EC\_2005/88/EC  
 Annex V  
 Annex VI  
 Noise: measured  $L_{WA}$  = dB (A); guaranteed  $L_{WA}$  = dB (A)  
 P = KW; LØ = cm  
 Notified Body:
- 2004/26/EC  
 Emission No.:

Standard references: EN 61029-1; EN 61029-2-1; EN 55014-1;  
EN 55014-2; EN 61000-3-2; EN 61000-3-3

Landau/Isar, den 29.01.2010

Weichselgartner/General Manager

Wentao/Product-Management

First CE: 10  
Art.-No.: 43.406.87 I.-No.: 11010  
Subject to change without notice

Archive-File/Record: 4340690-39-4177400-08  
Documents registrar: Siegfried Roider  
Wiesenweg 22, D-94405 Landau/Isar

# 15. JAMSTVENI LIST

## Poštovani kupče,

naši proizvodi podliježu strogoj kontroli kvalitete. Žao nam je ako bi ipak došlo do toga da uređaj ne funkcionira besprijekorno i zamolili bismo Vas da se u tom slučaju obratite na adresu naše servisne službe navedenu ispod ovog jamstva. Također smo Vam na raspolaganju na dolje navedenom telefonskom broju servisne službe. Za traženje jamstvenog zahtjeva vrijedi sljedeće:

1. Ovi jamstveni uvjeti reguliraju dodatne jamstvene usluge. Ovo jamstvo ne zadire u Vaše zakonsko pravo zahtjeva za ostvarenje jamstvenih usluga. Realizacija jamstvenih usluga je besplatna.
2. Jamstvena usluga obuhvaća isključivo nedostatke nastale zbog greške na materijalu ili tijekom proizvodnje i ograničen je na uklanjanje tih nedostataka odnosno zamjenu uređaja. Molimo da obratite pažnju na to da naši uređaji nisu konstruirani za korištenje u komercijalne svrhe niti u obrtu i industriji. Prema tome, ugovor o jamstvu ne može se ostvariti ako se uređaj koristi u obrtničkim ili industrijskim pogonima kao i u sličnim djelatnostima. Nadalje su iz jamstva isključene usluge zamjene proizvoda u slučaju transportnih oštećenja, šteta zbog nepridržavanja uputa za montažu ili zbog nestručne instalacije, nepridržavanja uputa za uporabu (kao npr. zbog priključka na pogrešni mrežni napon ili vrstu struje), zbog zlorabe ili nestručnih primjena (kao npr. preopterećenje uređaja ili korištenje nedopuštenih alata ili pribora), u slučaju nepridržavanja uputa za održavanje i sigurnosnih odredbi, zbog prodiranja stranih tijela u uređaj (npr. pijeska, kamenja ili prašine), nasilne primjene ili vanjskih utjecaja (kao npr. oštećenja zbog pada) kao i zbog uobičajenog trošenja tijekom korištenja. To naročito vrijedi za baterije za koje ipak dajemo jamstvo od 12 mjeseci.

Zahtjev za jamstvo prestaje biti valjan ako su na uređaju već izvršeni neki zahvati.

3. Jamstveni rok iznosi 3 godine a započinje s datumom kupnje uređaja. Jamstveni zahtjevi ostvaruju se prije isteka jamstvenog roka unutar dvije godine nakon što ste uočili kvar. Ostvarenje jamstvenog zahtjeva nakon isteka jamstvenog roka je isključeno. Popravkom ili zamjenom uređaja ne produljuje se jamstveni rok niti se tom uslugom ostvaruju novi jamstveni rok za uređaj ili ostale ugrađene rezervne dijelove. To također vrijedi i kod korištenja servisa na licu mjesta.
4. Da biste ostvarili svoj jamstveni zahtjev, molimo Vas da nam pošaljete neispravan uređaj bez plaćanja poštarine na dolje navedenu adresu. Priložite originalni račun za kupnju uređaja ili neki drugi dokaz o kupnji s datumom. Molimo Vas da zbog tog razloga dobro sačuvate račun kao dokaz! Što točnije opišite razlog reklamacije. Ako naša jamstvena usluga obuhvaća kvar nastao na Vašem uređaju, odmah ćemo Vam vratiti popravljenu ili novi uređaj.

Razumljivo je da ćemo za naknadu troškova ukloniti i kvarove koje jamstvena usluga ne obuhvaća. U tom slučaju pošaljite uređaj na adresu našeg servisa.

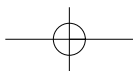
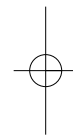
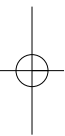
**Einhell Croatia d.o.o.**

Velika Ves 2

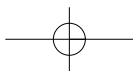
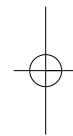
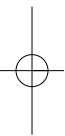
HR-49224 Lepajci

Tel. 049 342 444 · Fax 049 342 392











IAN: 49407 PTK 1700 A1

**Einhell Germany AG**

Wiesenweg 22

D-94405 Landau/Isar

Last Information Update · Stanje informacij · Információk állása

Stav informací · Stav informácií · Stanje informacija: 05/2010

Ident.-No.: 43.406.87 052010 - 4

