



36V BRUSHLESS 2X18V

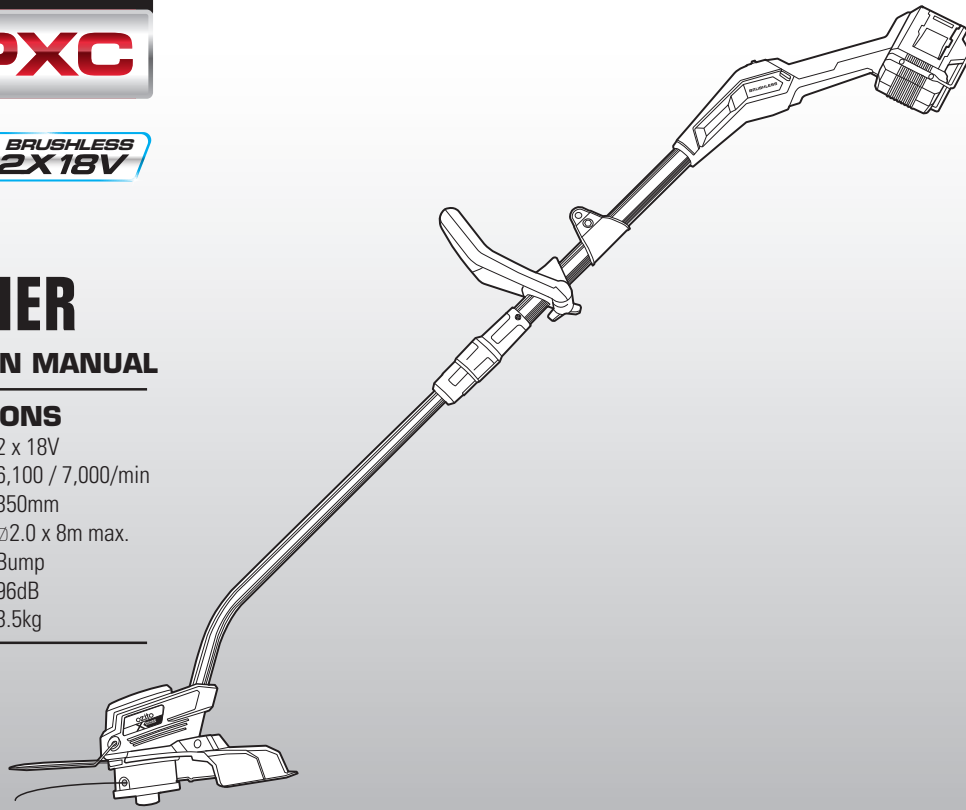
LINE TRIMMER

INSTRUCTION MANUAL

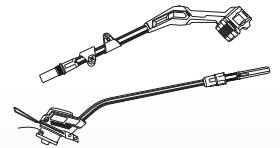
SPECIFICATIONS

Input:	2 x 18V
No Load Speed:	6,100 / 7,000/min
Cutting Width:	350mm
Cutting Line:	∅2.0 x 8m max.
Line Feed:	Bump
Noise Rating:	96dB
Weight:	3.5kg

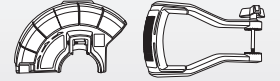
ozito.com.au



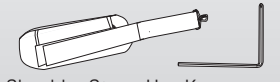
STANDARD EQUIPMENT



Line Trimmer (Upper & Lower Parts)



Safety Guard & Auxiliary Handle



Shoulder Strap, Hex Key,



Edge Guide, Support Bar & 4 x Assembly Screws

5 YEAR
REPLACEMENT WARRANTY

PXBLTS-3635

WARRANTY

IN ORDER TO MAKE A CLAIM UNDER THIS WARRANTY YOU MUST RETURN THE PRODUCT TO YOUR NEAREST BUNNINGS WAREHOUSE WITH YOUR BUNNINGS REGISTER RECEIPT. PRIOR TO RETURNING YOUR PRODUCT FOR WARRANTY PLEASE TELEPHONE OUR CUSTOMER SERVICE HELPLINE:

Australia 1800 069 486

New Zealand 0508 069 486

TO ENSURE A SPEEDY RESPONSE PLEASE HAVE THE MODEL NUMBER AND DATE OF PURCHASE AVAILABLE. A CUSTOMER SERVICE REPRESENTATIVE WILL TAKE YOUR CALL AND ANSWER ANY QUESTIONS YOU MAY HAVE RELATING TO THE WARRANTY POLICY OR PROCEDURE.

WARNING

The following actions will result in the warranty being void.

- If the tool has been operated on a supply voltage other than that specified on the tool.
- If the tool shows signs of damage or defects caused by or resulting from abuse, accidents or alterations.
- Failure to perform maintenance as set out within the instruction manual.
- If the tool is disassembled or tampered with in any way.
- Professional, industrial or high frequency use.

The benefits provided under this warranty are in addition to other rights and remedies which are available to you at law.

Our goods come with guarantees that cannot be excluded at law. You are entitled to a replacement or refund for a major failure and for compensation for any other reasonably foreseeable loss or damage. You are also entitled to have the goods repaired or replaced if the goods fail to be of acceptable quality and the failure does not amount to a major failure.

Generally you will be responsible for all costs associated with a claim under this warranty, however, where you have suffered any additional direct loss as a result of a defective product you may be able to claim such expenses by contacting our customer service helpline above.

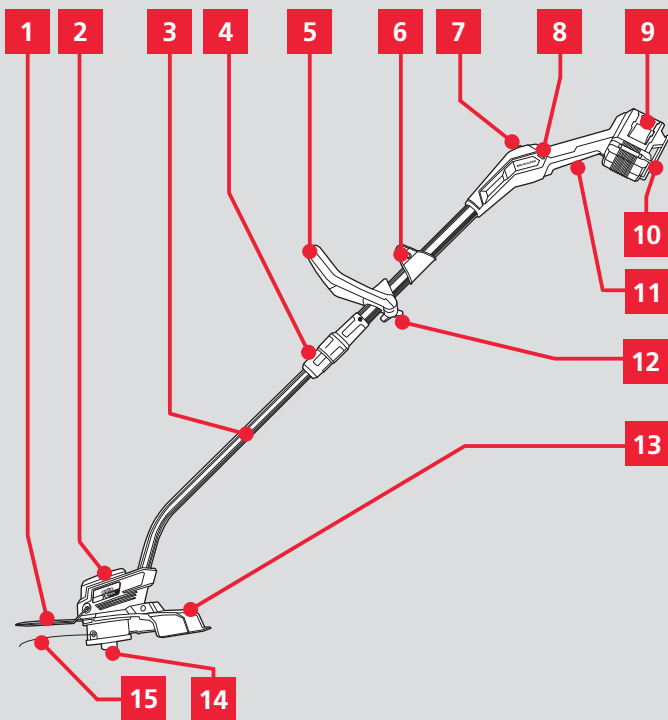
5 YEAR REPLACEMENT WARRANTY

Your Product is guaranteed for a period of 60 months from the original date of purchase and is intended for DIY (Do It Yourself) use only. If a product is defective it will be replaced in accordance with the terms of this warranty. **Lithium Ion batteries and chargers are covered by a 36 month warranty** and are excluded from the warranty extension. Warranty excludes consumable parts, for example: cutting line, spool, spool cover.

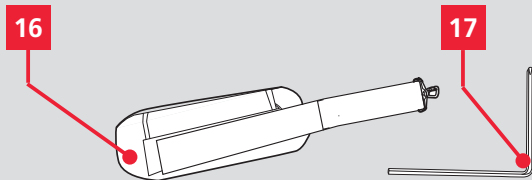
KNOW YOUR PRODUCT

BRUSHLESS LINE TRIMMER

- | | |
|---------------------------|----------------------------|
| 1. Edging Guide | 10. Support Bar |
| 2. Motor Housing | 11. On/Off Trigger |
| 3. Lower Shaft | 12. Auxiliary Handle Screw |
| 4. Shaft Locking Collar | 13. Safety Guard |
| 5. Auxiliary Handle | 14. Spool |
| 6. Shoulder Strap Bracket | 15. Cutting Line |
| 7. Speed Selector | 16. Shoulder Strap |
| 8. Safety Switch | 17. Hex Key |
| 9. Battery Seating | |



ACCESSORIES



BATTERY & CHARGER

This tool is compatible with all batteries & chargers from the Ozito PXC range.

ONLINE MANUAL

Scan this QR Code with your mobile device to take you to the online manual.



SETUP & PREPARATION

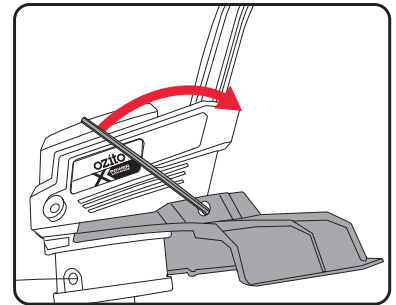
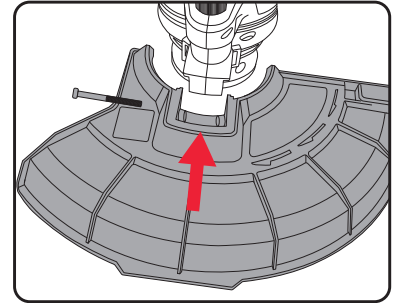
1. ASSEMBLY



WARNING! ENSURE THE LINE TRIMMER IS SWITCHED OFF AND THE BATTERIES ARE REMOVED BEFORE PERFORMING ANY OF THE FOLLOWING TASKS.

Fitting the Safety Guard

1. With the provided hex key remove the socket head bolt from the safety guard without displacing the nut.
2. Align the tabs of the safety guard with the recess in the back of the line trimmer motor housing.
3. Slide the safety guard in place and secure with the socket head bolt removed in step 1. Tighten with the hex key.



Note: With the safety guard fitted you can carefully remove the protective sticker from the blade.



WARNING! ALWAYS USE GLOVES WHEN HANDLING THE BLADE. SHARP EDGES COULD CAUSE INJURY.

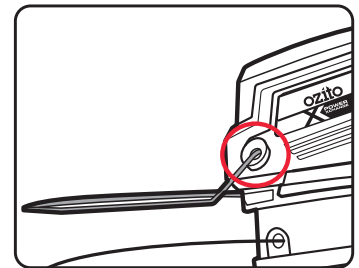


WARNING! NEVER USE THE LINE TRIMMER UNLESS THE SAFETY GUARD IS PROPERLY FITTED.

Fitting the Edge Guide

The edging guide provides a guide when edging and protection to an object such as a tree trunk or wall when trimming.

1. Pull the ends of the guide slightly apart to insert the ends in the holes on either side of the motor housing.

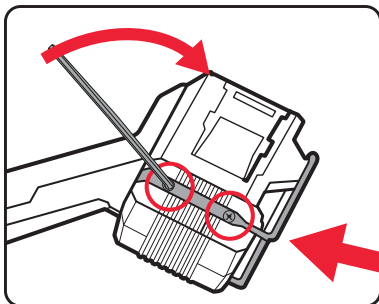


Note: Care should be taken not to bend the edger guide, only pull the ends apart sufficiently to fit in each hole.

5 YEAR
REPLACEMENT WARRANTY

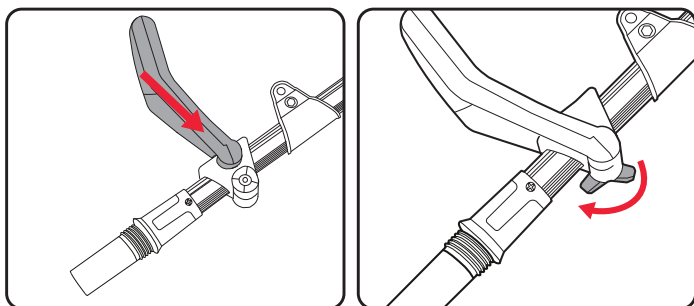
Fitting the Support Bar

1. Push the support bar into the guides on the housing as far as it will go.
2. Use the four assembly screws to fasten the support bar at both ends, tighten using the hex key.



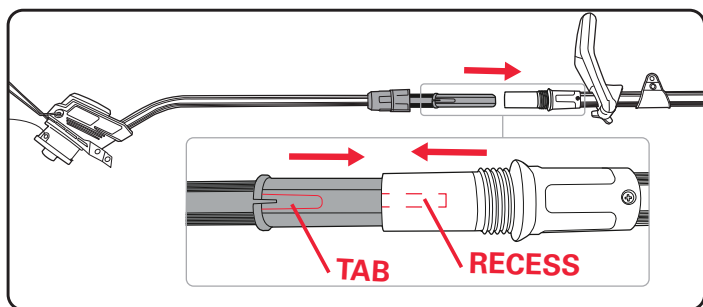
Fitting the Auxiliary Handle

1. To fit the handle onto the mounting bracket you will need to carefully flex the auxiliary handle just enough to slip over the mounting bracket. Do not over flex as this can damage or break the handle.
2. When in place, pass the handle screw through the mounting bracket and onto the handle, turning clockwise to tighten.

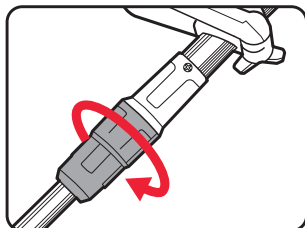


Shaft Assembly

1. Push both halves of the shaft together aligning the tab with the recess.



2. Secure both halves together with the shaft collar, turning clockwise to tighten.



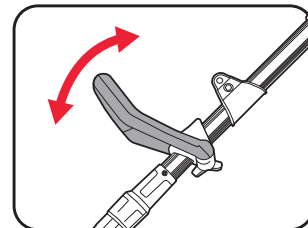
2. ADJUSTMENTS

Adjusting the Auxiliary Handle

The handle can be tilted forward and back, additionally it can be moved along the shaft to the desired position of the user without the use of tools.

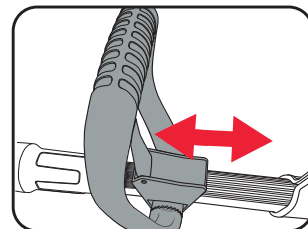
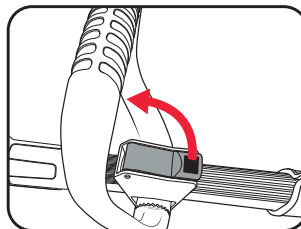
• Adjusting the Handle Tilt:

Loosen the handle screw and tilt the handle to the desired position. Tighten the handle screw again to hold it in place.



• Moving the Handle along the Shaft:

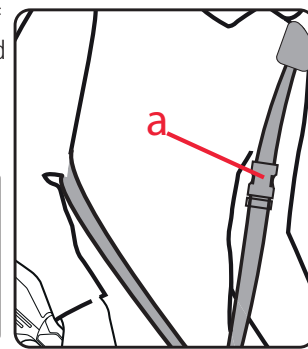
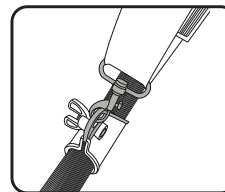
Release the lever and slide the handle into the desired position. Push the lever closed to hold it in place.



Shoulder Strap

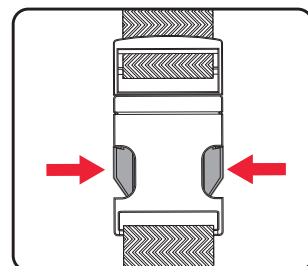
1. Fit the strap over your left shoulder (if right handed) so that the shoulder pad sits on your shoulder and the quick-release buckle (a) is front and centre for easy access.

2. Hook the carabiner to the line trimmer.



3. In order to establish the optimum length of the strap, you should then make a few swinging movements without switching on. Make adjustments to the shoulder strap length until the cutting head runs parallel to the ground and you achieve the most comfortable working and cutting position.

4. Use the quick-release buckle if you need to put down the line trimmer quickly, simply press the hooks together to release.



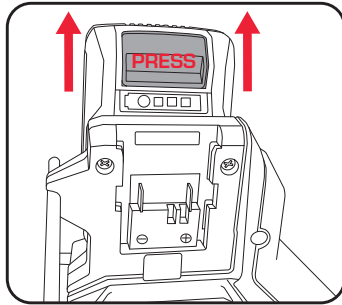
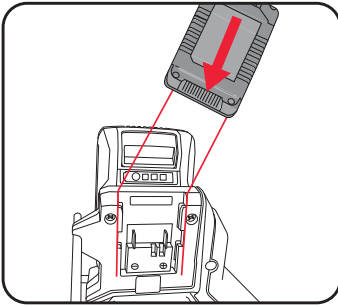
OPERATION

3. CONTROLS & OPERATION

Inserting & Removing the Batteries

Only use 2 batteries with the same capacity (Ah). Always use 2 batteries with the same charge state with the line trimmer. Do not mix old and new batteries

1. Align the ribs of the battery with the recess in housing and slide in until it clicks into place.
2. To remove, press and hold the battery release tab with your thumb as you slide the battery out.



WARNING! NEVER LEAVE THE BATTERIES IN THE LINE TRIMMER WHEN LINE TRIMMER IS NOT IN USE.

Run Time

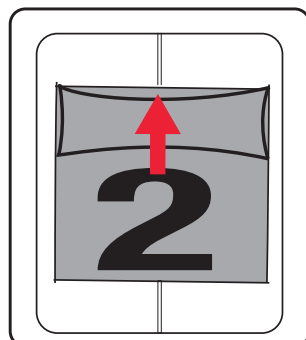
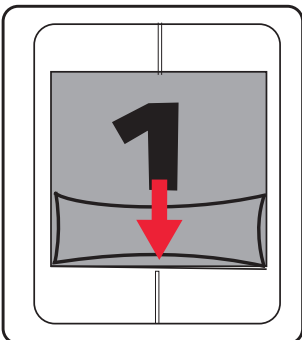
The operating time of the PXC battery (the area that can be covered with a single battery charge) is largely dependent on the performance speed selected, the state of the grass (e.g. Density, moisture, height, etc.), and the rate of work.

Frequently turning the equipment on and off while line trimming will also reduce the runtime and area that you can cover. If the operating time of the PXC battery (area coverage) is still unsatisfactory in spite of the above measures, you can remedy the problem by using PXC batteries with a larger capacity (Ah).

Speed Control

The line trimmer features electronic speed control for setting the cutting speed. Two speed settings are possible. Changing the speed is only possible when the motor is not running.

1. Push the switch down into position '1' for low speed, maximum operating (run) time.
2. Push the switch up into position '2' for maximum cutting speed & performance.

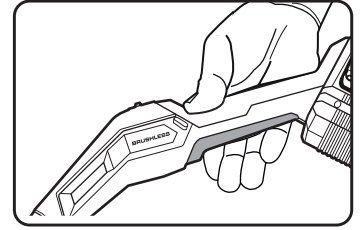
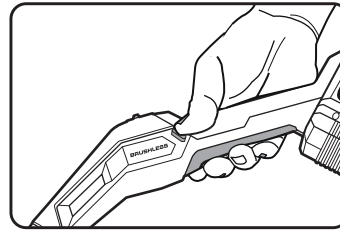


4. CONTROLS

WARNING! BEFORE YOU START THE UNIT, MAKE SURE THAT THE LINE TRIMMER IS NOT MAKING CONTACT WITH ANY OBJECTS.

Switching On & Off

1. Press and hold the safety switch then squeeze the on/off trigger to start the line trimmer. Once the motor is running, you can release the safety switch.
2. To stop the line trimmer, release the on/off trigger.



Note: When you switch on the line trimmer and the electronic speed control is in setting '2', the motor will start up at a slightly reduced speed and not reach maximum speed until it is placed under load. This is normal operation and not a fault.

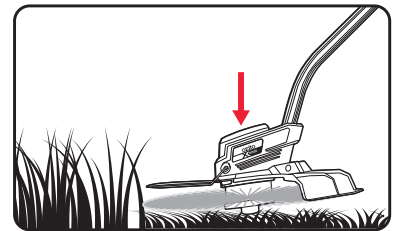
WARNING! THE LINE TRIMMER MAY RUN FOR A FEW SECONDS AFTER IT HAS BEEN SWITCHED OFF. LET THE MOTOR COME TO A COMPLETE STANDSTILL BEFORE SITTING THE TOOL DOWN.

WARNING! DO NOT OPERATE THE LINE TRIMMER IN A TREE, ON A LADDER, OR ON SCAFFOLD. THIS IS EXTREMELY DANGEROUS.

Bump Line Feed

The line trimmer is fitted with a bump line feed function which allows the cutting line to be fed without stopping the line trimmer. Each time the function is activated, the line is extended to ensure that you can cut your lawn with the perfect cutting width at all times. To extend the cutting line do as follows.

1. While the line trimmer is still on, simply bump the head of the trimmer on soft the ground to allow the line to feed out.
2. The bump feed will automatically lock once off the ground so that the line will stop feeding and the blade on the safety guard will cut the line to the appropriate length.



If the line does not feed out, check if there is any tangles in the line or if the line needs to be replenished. Refer to "Replacing the spool/clearing jams and tangled lines" section and follow the instructions as needed.

WARNING! DO NOT BUMP THE HEAD ON ANY HARD SURFACES SUCH AS CONCRETE OR BRICK, THIS COULD CAUSE DAMAGE TO THE LINE TRIMMER.

5. USING THE LINE TRIMMER

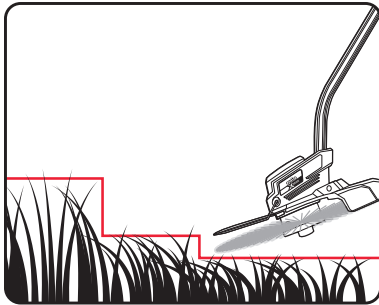
WARNING! ALWAYS WEAR STURDY, NON-SLIP FOOTWEAR, LONG TROUSERS, SAFETY GLASSES AND HEARING PROTECTION WHEN USING THE EQUIPMENT. NEVER USE THE EQUIPMENT BAREFOOT OR IN SANDALS.

The line trimmer is designed for cutting lawns and grassed areas. The equipment is intended for private use i.e. for use in home and gardening environments. Public facilities, parks, sporting grounds, along roadways, or agriculture and forestry are excluded.

WARNING! INSPECT THE AREA TO BE TRIMMED AND REMOVE ANY WIRE, CORD OR STRING-LIKE OBJECTS WHICH COULD BECOME ENTANGLED IN THE ROTATING SPOOL & LINE.

WARNING! STONES, PIECES OF METAL AND OTHER OBJECTS CAN BE THROWN OUT AT HIGH SPEED BY THE CUTTING LINE.

- Hold the trimmer with both handles for best control and balance.
- Do not push the line against hard material (rocks or concrete) during cutting as this may result in damaged line.
- Never use the line trimmer without its safety devices.
- Do not cut grass that is wet (The best results are achieved on dry grass).
- Wait until the line trimmer reaches full speed before cutting the grass.
- Keep the line trimmer away from hard objects in order to avoid unnecessary wear to the line.
- Several passes will be required to cut long grass as shown.
- To prevent the line from breaking ensure you approach the edge/object slowly.
- Watch out for kickbacks in the event of impact with hard objects.
- After finishing the cutting operation, keep the head close to ground level, release the on/off trigger and allow the motor to come to a complete standstill. Remove batteries and place the line trimmer on the ground.
- Keep ventilation slots of the trimmer clean at all times. Periodically clean out the grass from the cutting head and the rim of the safety guard to ensure efficient operation at all times.

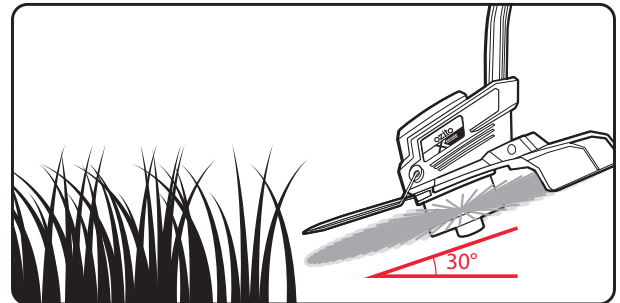
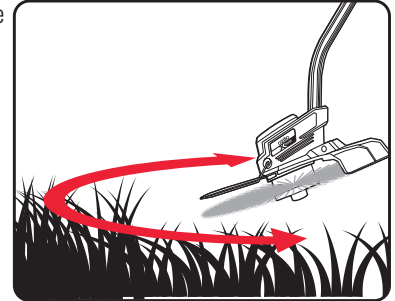


WARNING! DO NOT CONTINUALLY TAP, BUMP OR HOLD THE CUTTER HEAD ON THE GROUND AS THIS MAY RESULT IN DAMAGE TO THE SPOOL HOLDER OR OVERLOAD THE UNIT.

WARNING! BYSTANDERS MUST KEEP A MINIMUM SAFE DISTANCE OF 15M AWAY FROM THE LINE TRIMMER WHILE IT IS OPERATING.

Trimming

Move the line trimmer from side to side as you walk forward, holding it at an angle of approx. 30° (Light cuts are better than heavy cuts as they allow the cut grass to fall away from the cutting head).



Use only the tip of the cutting line to do the trimming especially near walls and fences. Trimming with the side of the cutting line may overload the motor, wear out the line faster, and break the line more often.

WARNING! DO NOT OPERATE THE LINE TRIMMER WITH LONG LOOSE HAIR OR LOOSE FITTING JEWELLERY. TIE LONG LOOSE HAIR BACK AND REMOVE LOOSE FITTING JEWELLERY.

MAINTENANCE

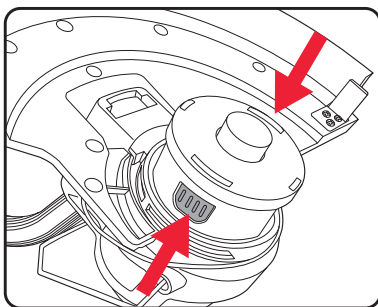
WARNING! ALWAYS ENSURE THE LINE TRIMMER HAS COMPLETELY STOPPED AND THE BATTERIES ARE REMOVED PRIOR TO ANY MAINTENANCE.

Replacing the Spool/Clearing Jams and Tangled Lines

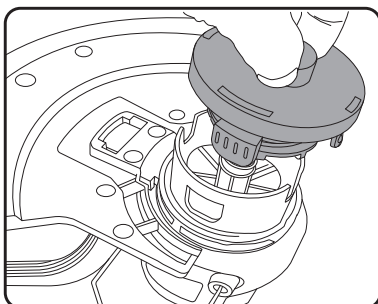
From time to time, especially when cutting thick or stocky weeds, the line spool housing may become clogged with sap or other material and the line will become jammed as a result. To clear the jam, follow these steps.

1. Turn off the line trimmer and remove the batteries.

2. Press the release tabs on the line spool cover and remove the cover by pulling it straight off.

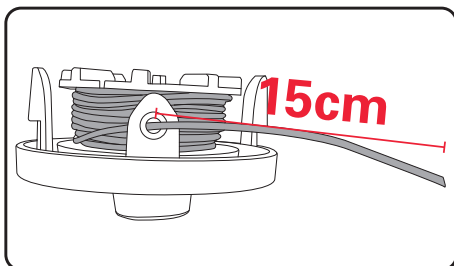


3. Lift the spool of nylon line out of the spool housing and clear any broken line or cutting debris from the spool area.

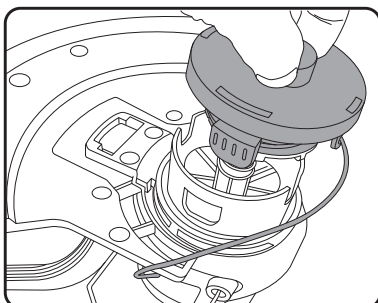


Note: Take care not to misplace the spring.

4. In case of jams and tangled line, unwrap about 15cm of line to ensure that it is undamaged. If it is OK, insert the spool into the spool housing and thread the end of the line through the eyelet.



5. Unclip the end of the line if necessary by pulling the line sharply to release it from the notch.



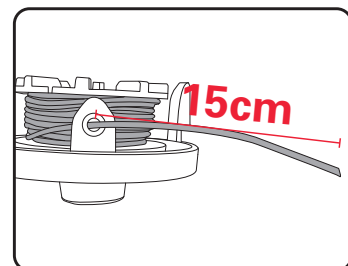
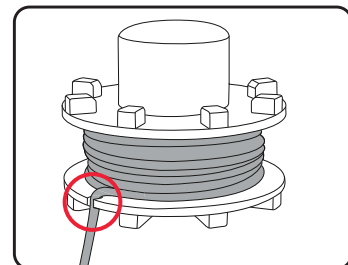
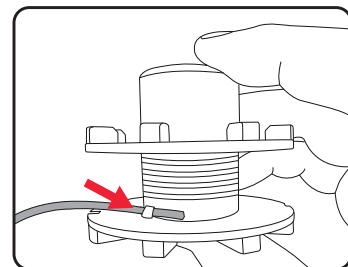
6. Snap the spool cover back onto the spool housing ensuring the spring is in place.

7. Turn the line trimmer back to its normal orientation, insert the batteries and turn the line trimmer on. If the length of the line is excessive, you'll hear it being cut automatically to the proper length.

Winding New Line onto Empty Spool

Replacement Ø2.0mm bulk line for your line trimmer is available from your local dealer. To install, follow steps:

1. Remove the spool as described in steps 1 - 3 of the 'Replacing the spool/clearing jams and tangled lines' section.
2. Using Ø2.0mm line, cut a length of line approximately 8m long. **Only use Ø2.0mm replacement line, anything larger will cause stress on the motor and will void the warranty.**
3. Thread the end of the line into the hole in the spool and hold in place
4. Wind the line around the spool in the direction of the arrow on the bottom of the spool.
5. Make sure to wind the line on neatly and in layers. Do not cross the line as this will stop it from feeding. When the length of line is wound onto the spool place the end of the line into a notch in the outside of the spool.
6. Thread the end of the line through the eyelet in the spool cover. Leaving about 15cm protruding from the spool. Do this to ensure that the line does not unravel while the spool is being loaded.
7. Re-fit the line & spool as described in steps 5-7 of the 'Replacing the spool/clearing jams and tangled lines' section.



Cleaning, Storage & Transport

- We recommend that you clean the line trimmer immediately each time you have finished using it.
- Keep air vents of the line trimmer clear of debris to prevent overheating. After each use, blow air through the vents to ensure it is free from a build up of grass, dust or dirt particles.
- Periodically clean out the grass from the cutting head and the rim of the safety guard to ensure efficient operation at all times.
- If the housing of the trimmer requires cleaning, do not use solvents but a moist soft cloth or soft brush only.
- Never let any liquid get inside the machine, never immerse any part of the line trimmer into liquid.
- Keep away from corrosive agents such as garden chemicals.
- No lubrication is necessary as the line trimmer has sealed bearings.
- Store the equipment and its accessories in a dark and dry place at above freezing temperature, out of children's reach. The ideal storage temperature is between 5°C and 30°C.
- Switch the machine off and remove the batteries before transporting or storing the line trimmer.
- Always carry the tool with both handles. Do not carry the line trimmer by the motor housing.
- Secure the machine against slipping if transporting in vehicles.
- With the split shaft the unit is easily dismantled into two parts for easy transportation and space saving storage.

Note: Ozito Industries will not be responsible for any damage or injuries caused by repair of the line trimmer by an unauthorised person or by mishandling. This machine is designed for DIY use - use in commercial or industrial environments will void the warranty.

TROUBLESHOOTING

Problem	Cause	Remedy
Trimmer is not starting	Possible clogging	Clean the cutter head of any grass.
	Battery is low in charge	Charge battery
	Battery not inserted properly	Insert battery pack correctly
Trimmer is not operating at full capacity	Possible clogging	Clean the cutter head of any grass.
	Cutting tall grass at ground level.	Make several passes from top down.
Motor stops while operating	Battery has no power	Charge battery
Grass wraps around the shaft and trimmer head.	Cutting tall grass at ground level.	Make several passes from top down.

- Sparking visible through the housing air vents. A small amount of sparking may be visible through the housing vents. This is normal and does not indicate a problem.
- If the line trimmer vibrates abnormally, stop motor immediately. Abnormal vibration usually indicates a mechanical problem. Continued operation could lead to injury or damage.

Battery protection system

The tool is equipped with the battery protection system, which helps to ensure a long service life.








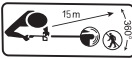

The output power automatically cuts off during operation when the tool and/or battery are placed under the following situations:

- **When the tool is overloaded:**
If this occurs, release the trigger switch and remove causes of overload, then pull the switch trigger again to restart.
- **When the remaining battery capacity becomes low:**
Recharge the battery pack.

Note: The battery protection system does not in any way damage the tool.

Note: The indicated capacity may be lower than the actual level during use or immediately after using the tool.

DESCRIPTION OF SYMBOLS

V	Volts	Hz	Hertz
~	Alternating Current.	W	Watts
/min	Revolutions or reciprocations per minute.	n₀	No load speed.
d.c./---	Direct current	∅	Diameter
mA	Milliamperes		Do not use in the rain or leave the line trimmer outdoors while raining.
	Wear eye & hearing protection.		Warning
	Wear safety footwear		Regulatory Compliance Mark (RCM).
	Sound power level 96dB.		Read Instruction Manual to reduce the risk of injury.
	Keep bystanders away. Beware of thrown or flying objects. Do not operate whilst people especially children or pets are within 15m of the operating area.		
	The equipment continues to rotate! Keep hands and feet away from the cutting line. DO NOT use metal blades on the product.		

CARING FOR THE ENVIRONMENT



Power tools that are no longer usable should not be disposed of with household waste but in an environmentally friendly way. Please recycle where facilities exist. Check with your local council authority for recycling advice.



Recycling packaging reduces the need for landfill and raw materials. Reuse of recycled material decreases pollution in the environment. Please recycle packaging where facilities exist. Check with your local council authority for recycling advice.

SPARE PARTS

Spare parts can be ordered from the Special Orders Desk at your local Bunnings Warehouse.


For further information, visit www.ozito.com.au or contact Ozito Customer Service:

Australia 1800 069 486

New Zealand 0508 069 486

E-mail: hello@ozito.com.au

ELECTRICAL SAFETY

 **WARNING!** When using mains-powered tool & machines, basic safety precautions, including the following, should always be followed to reduce risk of fire, electric shock, personal injury and material damage.

Read the whole manual carefully and make sure you know how to switch the tool or machine off in an emergency, before operating the tool or machine.

Save these instructions and other documents supplied with this tool or machine for future reference.

-Use, store and charge the tool or machine and battery pack in dry conditions, ideally at 15°C. Avoid exposing battery pack and charger to direct sunlight.

-Do not keep battery pack in places where temperatures are liable to reach over 50°C, such as in a car, metal shed or similar that is in direct sunlight.


-This equipment is battery-operated and the battery must be charged outside the equipment.

Before you connect the charger to the mains supply make sure that the data on the rating plate are identical to the mains data.

If the supply cord is damaged, it must be replaced by an electrician or a machine repairer in order to avoid a hazard.

The power supply for this products charger should be protected by a residual current device (rated at 30mA or less). A residual current device reduces the risk of electric shock.

GENERAL MACHINE SAFETY WARNINGS

 **WARNING!** Read all safety warnings, instructions, illustrations and specifications provided with this machine. Failure to follow all instructions listed below may result in electric shock, fire and/or serious injury.

Save all warnings and instructions for future reference.

The term "machine" in the warnings refers to your mains-operated (corded) machine or battery-operated (cordless) machine.

1) Work area safety

- Keep work area clean and well lit. Cluttered or dark areas invite accidents.
- Do not operate machines in explosive atmospheres, such as in the presence of flammable liquids, gases or dust. Machines create sparks which may ignite the dust or fumes.
- Keep children and bystanders away while operating a machine. Distractions can cause you to lose control.

2) Electrical safety

- Machine plugs must match the outlet. Never modify the plug in any way. Do not use any adapter plugs with earthed (grounded) machines. Unmodified plugs and matching outlets will reduce risk of electric shock.
- Avoid body contact with earthed or grounded surfaces, such as pipes, radiators, ranges and refrigerators. There is an increased risk of electric shock if your body is earthed or grounded.
- Do not expose machines to rain or wet conditions. Water entering a machine will increase the risk of electric shock.
- Do not abuse the cord. Never use the cord for carrying, pulling or unplugging the machine. Keep cord away from heat, oil, sharp edges or moving parts. Damaged or entangled cords increase the risk of electric shock.
- When operating a machine outdoors, use an extension cord suitable for outdoor use. Use of a cord suitable for outdoor use reduces the risk of electric shock.
- If operating a power tool in a damp location is unavoidable, use a residual current device (RCD) protected supply. Use of an RCD reduces the risk of electric shock.

3) Personal safety

- Stay alert, watch what you are doing and use common sense when operating a machine. Do not use a machine while you are tired or under the influence of drugs, alcohol or medication. A moment of inattention while operating machines may result in serious personal injury.
- Use personal protective equipment. Always wear eye protection. Protective equipment such as a dust mask, non-skid safety shoes, hard hat or hearing protection used for appropriate conditions will reduce personal injuries.
- Prevent unintentional starting. Ensure the switch is in the off-position before connecting to power source and/or battery pack, picking up or carrying the machine. Carrying machines with your finger on the switch or energising machines that have the switch on invites accidents.
- Remove any adjusting key or wrench before turning the machine on. A wrench or a key left attached to a rotating part of the machine may result in personal injury.
- Do not overreach. Keep proper footing and balance at all times. This enables better control of the machine in unexpected situations.
- Dress properly. Do not wear loose clothing or jewellery. Keep your hair and clothing away from moving parts. Loose clothes, jewellery or long hair can be caught in moving parts.
- If devices are provided for the connection of dust extraction and collection facilities, ensure these are connected and properly used. Use of dust collection can reduce dust-related hazards.
- Do not let familiarity gained from frequent use of machines allow you to become complacent and ignore machine safety principles. A careless action can cause severe injury within a fraction of a second.

4) Machine use and care

- Do not force the machine. Use the correct machine for your application. The correct machine will do the job better and safer at the rate for which it was designed.
- Do not use the machine if the switch does not turn it on and off. Any machine that cannot be controlled with the switch is dangerous and must be repaired.
- Disconnect the plug from the power source and/or remove the battery pack, if detachable, from the machine before making any adjustments, changing accessories, or storing machines. Such preventive safety measures reduce the risk of starting the machine accidentally.
- Store idle machines out of the reach of children and do not allow persons unfamiliar with the machine or these instructions to operate the machine. Machines are dangerous in the hands of untrained users.
- Maintain machines and accessories. Check for misalignment or binding of moving parts, breakage of parts and any other condition that may affect the machine's operation. If damaged, have the machine repaired before use. Many accidents are caused by poorly maintained machines.
- Keep cutting machines sharp and clean. Properly maintained cutting machines with sharp cutting edges are less likely to bind and are easier to control.
- Use the machine, accessories and machine bits etc. in accordance with these instructions, taking into account the working conditions and the work to be performed. Use of the machine for operations different from those intended could result in a hazardous situation.
- Keep handles and grasping surfaces dry, clean and free from oil and grease. Slippery handles and grasping surfaces do not allow for safe handling and control of the machine in unexpected situations.


5) Battery machine use and care

- Recharge only with the charger specified by the manufacturer. A charger that is suitable for one type of battery pack may create a risk of fire when used with another battery pack.
- Use machines only with specifically designated battery packs. Use of any other battery packs may create a risk of injury and fire.
- When battery pack is not in use, keep it away from other metal objects, like paper clips, coins, keys, nails, screws or other small metal objects, that can make a connection from one terminal to another. Shorting the battery terminals together may cause burns or a fire.
- Under abusive conditions, liquid may be ejected from the battery; avoid contact. If contact accidentally occurs, flush with water. If liquid contacts eyes, additionally seek medical help. Liquid ejected from the battery may cause irritation or burns.
- Do not use a battery pack or machine that is damaged or modified. Damaged or modified batteries may exhibit unpredictable behaviour resulting in fire, explosion or risk of injury.
- Do not expose a battery pack or machine to fire or excessive temperature. Exposure to fire or temperature above 130 °C may cause explosion.
- Follow all charging instructions and do not charge the battery pack or machine outside the temperature range specified in the instructions. Charging improperly or at temperatures outside the specified range may damage the battery and increase the risk of fire.

6) Service


- Have your machine serviced by a qualified repair person using only identical replacement parts. This will ensure that the safety of the machine is maintained.
- Never service damaged battery packs. Service of battery packs should only be performed by the manufacturer or authorized service providers.


LINE TRIMMER SAFETY WARNINGS

 **WARNING!** This appliance is not intended for use by persons (including children) with reduced physical, sensory or mental capabilities, or lack of experience and knowledge, unless they have been given supervision or instruction concerning use of the appliance by a person responsible for their safety.

- Hold power tool by insulated gripping surfaces, when performing an operation where the cutting accessory may contact hidden wiring. Cutting accessory contacting a "live" wire may make exposed metal parts of the power tool "live" and could give the operator an electric shock.
- Never allow children or people unfamiliar with these instructions to use the line trimmer.
- Avoid using the line trimmer, while people, especially children or pets, are nearby.
- Use the line trimmer only in daylight or good artificial light.
- Never operate the line trimmer with damaged guards or without guards in place.
- Switch on the line trimmer only when the hands and feet are away from the cutting head.
- Never fit metal cutting line.
- Use only the manufacturer's recommended replacement parts and accessories.
- Always remove the battery from the line trimmer when leaving the line trimmer unattended.
- Always remove the battery from the line trimmer before carrying out maintenance or cleaning work.
- Inspect and maintain the line trimmer regularly. Have the line trimmer repaired only by an authorized repairer.
- When not in use, store the line trimmer out of the reach of children.
- Face the cutting head away from yourself, other people and animals while the battery is connected to the line trimmer (especially during operation).
- Remove the battery when changing spools or clearing grass from under the guard.
- Remove the battery from the line trimmer before making any adjustments.
- Use both handles at all times

- Keep ventilation openings clear of debris. Keep handles dry, clean and free of oil and grease.
- Never reach underneath the line trimmer (the cutting line area) until it has completely stopped and the battery has been removed.
- Maintain a safe distance of at least 15m from other people when using the tool.
- Always wear adequate protective clothing when operating the blower to avoid injuries to face, eyes, hands, feet, head or hearing. Use safety glasses or a face shield, high boots or sturdy shoes, long trousers, work gloves, a hard hat and ear defenders.
- Do not get distracted and always concentrate on what you are doing. Use common sense. Never operate the tool when you are tired, sick or under the influence of alcohol or other drugs.
- Do not operate this appliance with long loose hair or loose fitting jewellery. Tie long loose hair back and remove loose fitting jewellery.

 **WARNING!** When servicing, use only identical replacement parts. Use of any other parts may create a hazard or cause product damage. To ensure safety and reliability, all repairs should be performed by a qualified service technician.

 **WARNING!** This appliance is not intended for use by young or infirm persons unless supervised by a responsible person to ensure that they can use the appliance safely. Children should be supervised to ensure that they do not play with the appliance.

 **DANGER!** Always remove the battery from the line trimmer:

- when the equipment is left unattended,
- when the equipment is being checked, cleaned, or having maintenance work done,
- or if the equipment vibrates abnormally.