

# CABLE HOIST



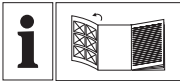
P-SZ 250

<sup>GB</sup>  
**CABLE HOIST**  
Operation and Safety Notes

<sup>DK</sup>  
**HEJSEVÆRK**  
Brugs- og sikkerhedsanvisninger

<sup>GR</sup>  
**ΠΑΛΑΓΚΟ**  
Υποδείξεις χειρισμού και ασφαλείας

3



GB

Before reading, unfold the page containing the illustrations and familiarise yourself with all functions of the device.

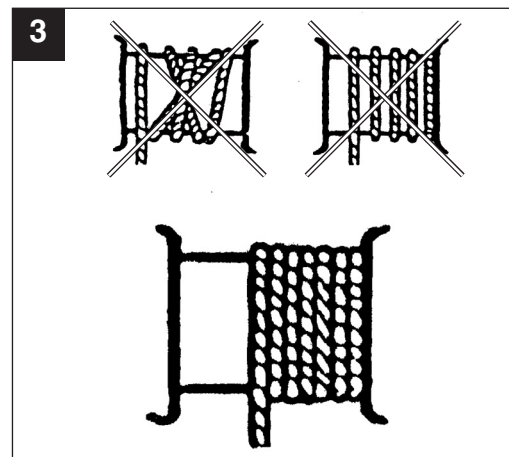
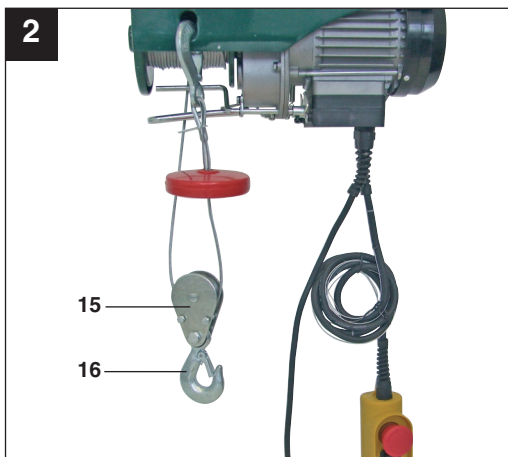
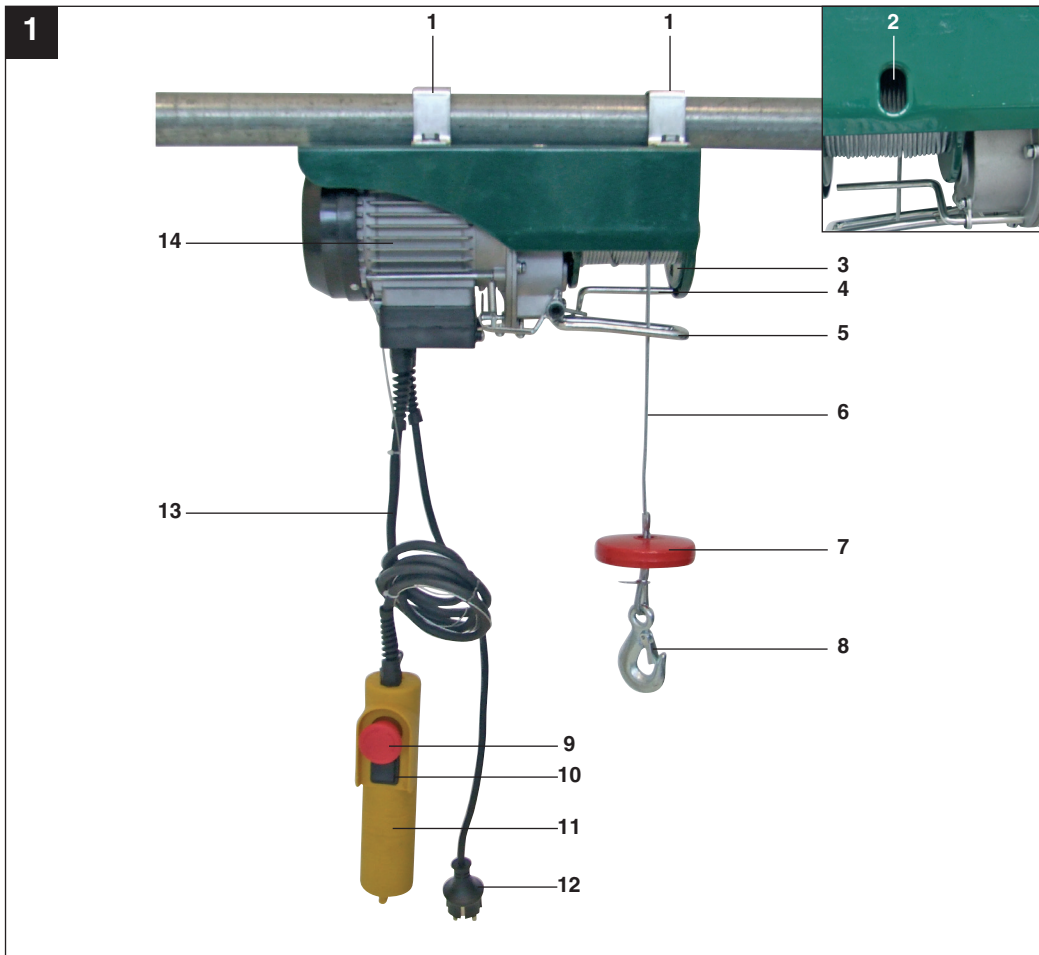
DK

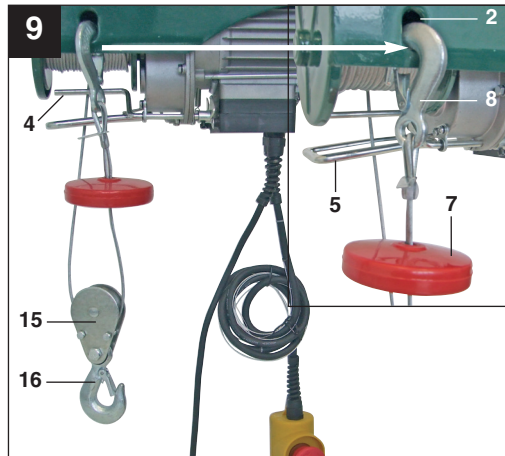
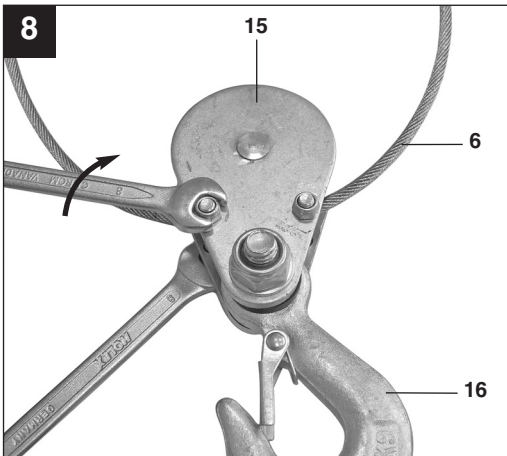
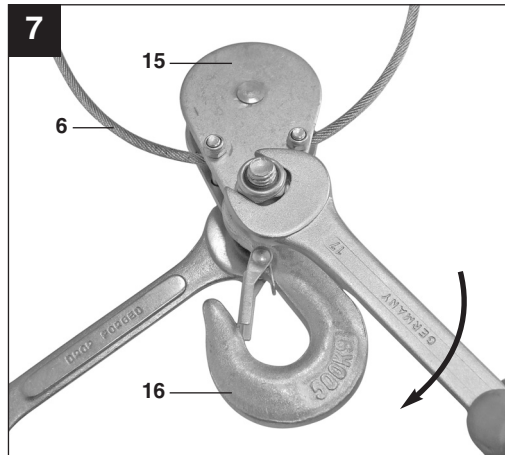
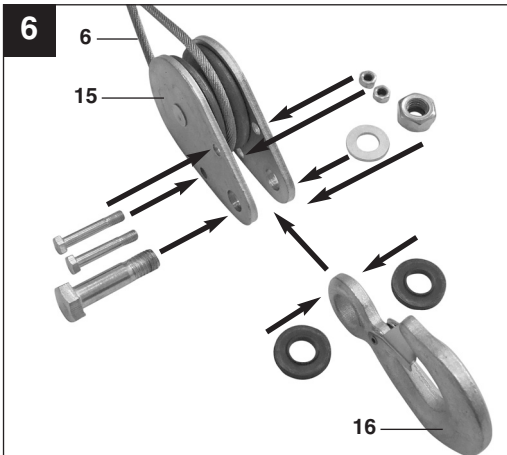
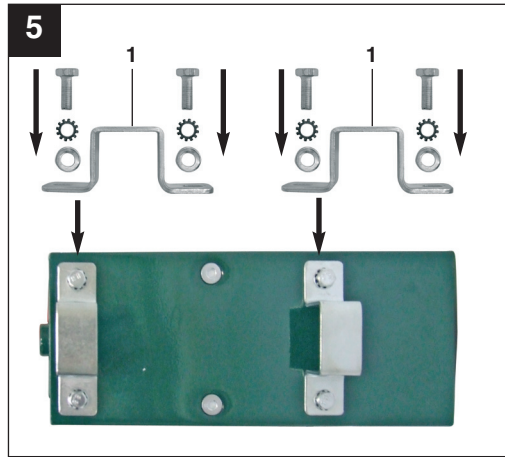
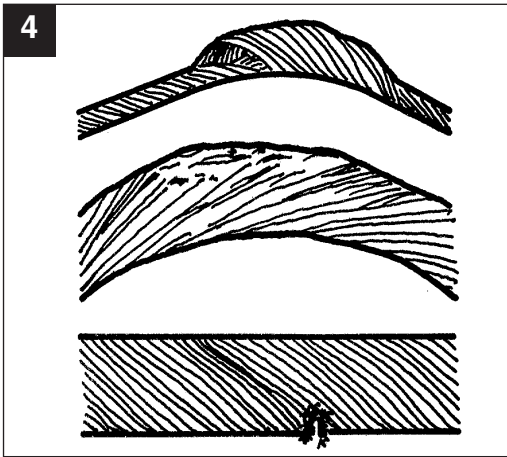
Før du læser, vend siden med billeder frem og bliv bekendt med alle apparatets funktioner.

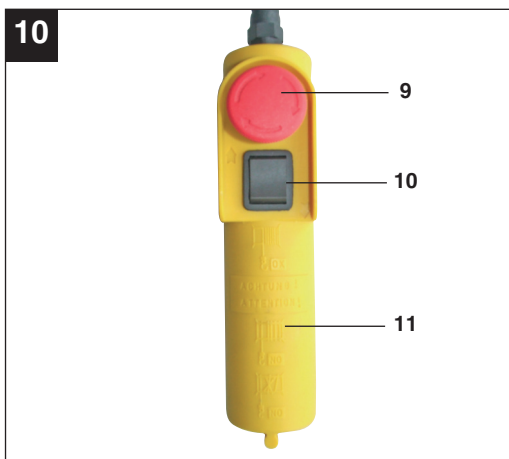
GR

Πριν ξεκινήσετε την ανάγνωση, ανοίξτε τη σελίδα με τις εικόνες και εξοικειωθείτε με όλες τις λειτουργίες της συσκευής.

GB	Operation and Safety Notes	Page	6
DK	Brugs- og sikkerhedsanvisninger	Side	14
GR	Υποδείξεις χειρισμού και ασφαλείας	Σελίδα	22







**GB**

**Table of contents:**

**Page**

1. Introduction .....	7
2. Safety information .....	7
3. Layout and items supplied .....	7
4. Proper use .....	8
5. Technical data .....	8
6. Before starting the equipment.....	8-9
7. Operation .....	9-10
8. Cleaning, maintenance and ordering of spare parts.....	10
9. Disposal and recycling.....	10-11
10. Declaration of conformity .....	12
11. Guarantee Certificate .....	13

The reprinting or reproduction by any other means, in whole or in part, of documentation and papers accompanying products is permitted only with the express consent of ISC GmbH.

Technical changes subject to change

## 1. Introduction

### ⚠ Important!

When using equipment, a few safety precautions must be observed to avoid injuries and damage. Please read the complete operating manual with due care. Keep this manual in a safe place, so that the information is available at all times. If you give the equipment to any other person, give them these operating instructions as well. We accept no liability for damage or accidents which arise due to non-observance of these instructions and the safety information.

## 2. Safety information

### ⚠ CAUTION!

**Read all safety regulations and instructions.**

Any errors made in following the safety regulations and instructions may result in an electric shock, fire and/or serious injury.

**Keep all safety regulations and instructions in a safe place for future use.**

- Always check that the mains voltage is identical to the voltage quoted on the rating plate. In the event that the mains voltage is not suitable, it may cause the machine to work abnormally and thus result in personal injury.
- The power supply must be earthed and be secured by a residual current operated circuit breaker (RCCB).
- Do not attempt to lift loads that exceed the rated load.
- Use the machine only for the purpose for which it is designed. Never lift personnel using the cable hoist.
- Do not pull the power cable in order to pull out the plug. Protect the power cable from heat, oil and sharp edges.
- Never attempt to raise fixed or jammed loads.
- Pull out the plug when the cable hoist is not in use.

- Keep children and other unauthorized persons away from the machine.
- Do not pull loads sideways or from one side. Do not allow the load to swing.
- Ensure that the hook moves in the same direction as shown on the pushbutton.
- Check the cable hoist at regular intervals for signs of damage. The pushbutton must be in good condition.
- Have repair and servicing work carried out only by authorized workshops by a trained electrician. Repair work must only be carried out by a trained electrician, otherwise the machine may cause accidents.
- Do not switch the machine on and off quickly (inching mode).
- Always concentrate fully when operating the cable hoist.
- Do not stand or work under the raised load.
- It is not permitted to lift fixed or jammed loads.

## 3. Layout and items supplied (Fig. 1-2)

1. Fastening bar
2. Fastening hole for hook
3. Drum
4. Lever for maximum cable length
5. Automatic stop mechanism lever
6. Steel cable
7. Cut-out weight
8. Hook
9. Emergency Stop switch
10. Pushbutton
11. Remote control
12. Power cable
13. Control cable
14. Motor
15. Return roller
16. Additional hook

**GB**

## 4. Proper use

The cable hoist is designed for lifting and lowering loads in enclosed areas commensurate with the machine's capacity.

The equipment is to be used only for its prescribed purpose. Any other use is deemed to be a case of misuse. The user / operator and not the manufacturer will be liable for any damage or injuries of any kind caused as a result of this.

Please note that our equipment has not been designed for use in commercial, trade or industrial applications. Our warranty will be voided if the machine is used in commercial, trade or industrial businesses or for equivalent purposes.

## 5. Technical data

Voltage (V)	230 V ~ 50 Hz
Rated current (A)	2.2
Power consumption (W)	500
Operating mode	S3 20%:10 min
Rated load (kg)	125 / 250
Lifting height (m)	11.5 / 5.7
Rated speed (m/min)	8 / 4
Diameter of steel cable (mm)	3.0
Tensile strength of the steel cable (N/mm <sup>2</sup> )	1870
Insulation class	B
Protection class	IP24
Drive unit class	M1
Net weight (kg)	10.5

Operating mode S3 – 20% - 10 minutes: S3 = Intermittent mode without influencing the starting process. This means that the maximum operating period over a time of 10 minutes is 20% (2 minutes).

## 6. Before starting the equipment

- Before you connect the equipment to the mains supply make sure that the data on the rating plate are identical to the mains data.
- Always pull out the power plug before making adjustments to the equipment.
- The cable hoist is not suitable for transporting hot and/or molten materials nor is it suitable for use at low temperatures or in environments subject to intensive weathering.
- It is in mechanical group M1.
- The service life of the cable hoist is approximately 8000 cycles (excluding wearing parts). When the hoist has completed 8000 cycles, all its mechanical parts must be checked and overhauled.
- Read and absorb the operating instructions before you use the cable hoist.
- Ensure that the operator knows how the machine works and how it should be operated.
- The user must always operate the equipment as set out in the operating instructions.
- The cable hoist is not designed for continuous operation. Its mode of operation is: Intermittent mode without influencing the starting process.
- The rated capacity of the machine does not vary due to the position of the load.

### 6.1 Unpacking

After opening the packaging, inspect the equipment, the steel cable, the hook, the lever for maximum cable length and the automatic stop mechanism lever for signs of possible transit damage.

### 6.2 Assembly (Fig. 5)

The cable hoist is fitted with two fastening bars (1) with which it has to be fastened to a rectangular tube / swing arm. The dimensions of the rectangular tube / swing arm must conform with the size of the fastening bars (1) and must be capable of supporting twice the rated load. We recommend that you seek



advice from a qualified technician. All screws must be tightened correctly. A qualified technician should check the anchoring of the rectangular tube / swing arm before the machine is started.

### 6.3 Block and tackle function (Fig. 6 – 9)

The cable hoist is fitted with a return roller (15) and an additional hook (16). If these parts are used correctly, the cable hoist can lift twice its rated load.

Fit the return roller (15) and additional hook (16) as shown in Figure 6 – 8. The permanent hook (8) must be attached to the fastening hole (2) (Fig. 9).

The load is now raised by two steel cables, which means that the cable hoist can lift twice its rated load.

## 7. Operation

### 7.1 Starting up

- Remove the adhesive tape from the drum (3) before using the hoist for the first time.
- The value of the A-rated noise emissions at the operator's position is less than 70 dB.
- Supply voltage: 230 V ± 10%, 50 Hz ± 1%.
- The cable hoist must be operated in ambient temperatures of between 0°C and 40°C with a relative humidity of less than 85%. Height above sea level: max. 1,000 m.
- The temperature for transport and storage may be between -25°C and 55°C. The maximum temperature must not exceed 70°C.
- The user should lift the load off the ground at the slowest possible speed. The cable should be taut when the load is raised.
- The motor (14) for the cable hoist is fitted with a thermostat switch. Whilst the cable hoist is operating, the motor (14) may therefore stop. It will restart automatically when it has cooled down.
- The electric cable hoist is not fitted with a rated power limiter. You should therefore not repeat attempts to lift a load if the overload trip is limiting the hoist's

operation. In this case the load exceeds the rated capacity of the cable hoist.

- Do not leave any suspended loads unsupervised without first taking the appropriate safety precautions.
- Fit the machine with a 10 A fuse or a 10 A residual current operated circuit breaker (RCCB) to protect the circuit
- Do not use the lever (4/5) as a routine stopping device. It should only be used to stop the machine in an emergency.
- Before you start, ensure that the steel cable (6) is correctly wound around the drum (3) and that the spacing between the windings is smaller than the steel cable (Fig. 3)
- Ensure that the load is correctly secured to the hook (8) or, if you are using the block and tackle, the additional hook (16) and always maintain a safe distance from the load and the steel cable (6).

### 7.2 Operation (Fig. 9-10)

- Check whether the Emergency Stop switch (9) is pressed. Turn the Emergency Stop switch clockwise to release it.
- Press the pushbutton ▲ (10) to raise the load.
- Press the pushbutton ▼ (10) to lower the load.
- Automatic stop mechanism lever (5): When the maximum lifting height has been reached, the cut-out weight (7) presses the lever (5) upwards. This trips a limit switch after which the load cannot be raised any further.
- Lever for maximum cable length (4): When the load has reached its lowest possible position, a limit switch is tripped which makes it impossible to lower the load any further. This limit switch also prevents the cable hoist operating in the wrong direction (hook moving in the opposite direction to the arrow shown on the pushbutton).
- The cable hoist will stop if the Emergency Stop switch (9) is pressed.
- In an emergency, immediately press the Emergency Stop switch (9) to stop the cable hoist. The cable hoist cannot be operated if the Emergency Stop switch has

**GB**

been pressed.

## 8. Cleaning, maintenance and ordering of spare parts

**Always pull out the mains power plug before starting any cleaning work.**

### 8.1 Cleaning

- Keep all safety devices, air vents and the motor housing free of dirt and dust as far as possible. Wipe the equipment with a clean cloth or blow it with compressed air at low pressure.
- Clean the equipment immediately after you use it.
- Clean the equipment regularly with a moist cloth and some soft soap. Do not use cleaning agents or solvents; these could attack the plastic parts of the equipment. Ensure that no water can seep into the device.

### 8.2 Servicing

**Important. Always ensure that the machine is not connected to the mains supply before you start any servicing work.**

- In the following: One cycle means one raising and lowering movement of a load. Periodic inspection means an inspection after 100 cycles.
- Test periodically that the limit switches on the cable hoist are in correct working order. (Test without a load) Conduct this test as follows: When the cable has reached the maximum height, the lever on the automatic stopping mechanism (5) will be actuated. The motor (14) must then stop. When the steel cable (6) has been unwound as far as possible, the lever for the maximum cable length (4) will be actuated. The motor (14) must then stop.
- Inspect the mains cable (12) and the control cable (13) periodically.
- The steel cable (6) and return roller (15) must be greased every 200 cycles.
- A check must be made every 30 cycles, as shown in Fig. 4, to find whether the entire

steel cable (6) is in good condition. If it is damaged, it must be replaced by a steel cable of the type specified in the technical data.

- Check every 1000 cycles whether the screws for the fastening bars (1) and return roller (15) are properly tightened.
- Check every 1000 cycles whether the hooks (8/16) and return roller (15) are in good condition.
- Check before using the cable hoist whether the Emergency Stop switch (9) and pushbuttons (10) are in perfect working order.
- Check the braking system every 1000 cycles. If the motor (14) makes any unusual noises or cannot raise the rated load, it is possible that the braking system requires an overhaul:
  - Replace damaged or worn parts and keep the service documentation relating to this in a safe place.
  - Please contact an authorized service center for any unscheduled maintenance work.

### 8.3 Ordering replacement parts:

Please quote the following data when ordering replacement parts:

- Type of machine
- Article number of the machine
- Identification number of the machine

For our latest prices and information please go to [www.isc-gmbh.info](http://www.isc-gmbh.info)

## 9. Disposal and recycling

The unit is supplied in packaging to prevent its being damaged in transit. This packaging is raw material and can therefore be reused or can be returned to the raw material system. The unit and its accessories are made of various types of material, such as metal and plastic. Defective components must be disposed of as special waste. Ask your dealer or your local council.



For EU countries only

Never place any electric tools in your household refuse.

To comply with European Directive 2002/96/EC concerning old electric and electronic equipment and its implementation in national laws, old electric tools have to be separated from other waste and be disposed of in an environment-friendly fashion, e.g. by taking to a recycling depot.

Recycling alternative to returning the electrical equipment:

The owner of the electrical equipment is obligated to arrange for its proper disposal if he no longer wants to keep the equipment in his possession and does not want to return it. In this case the old equipment can be taken to a recycling depot where it is disposed of in accordance with national recycling and waste disposal laws. This does not apply to accessory parts and aids which supplement the old equipment and contain no electrical parts

GB

## 10. Declaration of conformity

Einhell Germany AG · Wiesenweg 22 · D-94405 Landau/Isar

**Konformitätserklärung**

- erklårt folgende Konformität gemäß EU-Richtlinie und Normen für Artikel  
 explains the following conformity according to EU directives and norms for the following product  
 déclare la conformité suivante selon la directive CE et les normes concernant l'article  
 dichiara la seguente conformità secondo la direttiva UE e le norme per l'articolo  
 verklaart de volgende overeenstemming conform EU richtlijn en normen voor het product  
 declara la siguiente conformidad a tenor de la directiva y normas de la UE para el artículo  
 declara a seguinte conformidade, de acordo com a directiva CE e normas para o artigo  
 attesterer følgende overensstemmelse i medfør af EU-direktiv samt standarder for artiklen  
 förklarar följande överensstämmelse enl. EU-direktiv och standarder för artikeln  
 vakuuttaa, että tuote täyttää EU-direktiivin ja standardien vaatimukset  
 toendab toote vastavust EL direktiivile ja standarditele  
 vydává následující prohlášení o shodě podle směrnice EU a norem pro výrobek  
 potrjuje sledečo skladnost s smernico EU in standardi za izdelak  
 vydáva nasledujúce prehlásenie o zhode podľa smernice EÚ a noriem pre výrobok  
 a cikkekhöz az EU-irányvonal és Normák szerint a következő konformitást jelenti ki  
 deklaruje zgodność wymienionego poniżej artykułu z następującymi normami na podstawie dyrektywy WE.  
 декларира съответното съответствие съгласно Директива на ЕС и норми за артикул  
 paskaidro šādu atbilstību ES direktīvai un standartiem  
 apibūdina šj atitikimā EU reikalavimams ir prekės normoms  
 declară următoarea conformitate conform directivei UE și normelor pentru articolul  
 δηλώνει την ακόλουθη συμμόρφωση σύμφωνα με την Οδηγία ΕΚ και τα πρότυπα για το προϊόν  
 potvrđuje sljedeću usklađenost prema smjernicama EU i normama za artikl  
 potvrđuje sljedeću usklađenost prema smjernicama EU i normama za artikl  
 potvrđuje sledeću usklađenost prema smernicama EZ i normama za artikal  
 следующим удостоверяется, что следующие продукты соответствуют директивам и нормам ЕС  
 проголошує про зазначену нижче відповідність виробу директивам та стандартам ЄС на виріб  
 ja izjavuва slednata soobraznost soglasno EU-direktivata i normite za artikli  
 Ürünü ile ilgili AB direktifleri ve normları gereğince aşağıda açıklanan uygunluğu belirtir  
 erklærer følgende samsvar i henhold til EU-direktivet og standarder for artikkel  
 Lýsir uppfyllingu EU-reglna og annarra staðla vöru

**Seilhebezug P-SZ 250**

- |   |  |
|---|--|
| <input checked="" type="checkbox"/> 2006/95/EC  | <input checked="" type="checkbox"/> 2006/42/EC   |
| <input type="checkbox"/> 2006/28/EC             | <input checked="" type="checkbox"/> 98/37/EC   |
| <input type="checkbox"/> 2005/32/EC             | <input type="checkbox"/> Annex IV<br>Notified Body:<br>Notified Body No.:<br>Reg. No.:   |
| <input checked="" type="checkbox"/> 2004/108/EC | <input type="checkbox"/> 2000/14/EC_2005/88/EC   |
| <input type="checkbox"/> 2004/22/EC             | <input type="checkbox"/> Annex V   |
| <input type="checkbox"/> 1999/5/EC              | <input type="checkbox"/> Annex VI<br>Noise: measured $L_{WA}$ = dB (A); guaranteed $L_{WA}$ = dB (A)<br>P = KW; L/O = cm<br>Notified Body: |
| <input type="checkbox"/> 97/23/EC               | <input type="checkbox"/> 2004/26/EC<br>Emission No.:   |
| <input type="checkbox"/> 90/396/EC              |  |
| <input type="checkbox"/> 89/686/EC_96/58/EC     |  |
| <input type="checkbox"/> 87/404/EC              |  |

Standard references: EN 14121; EN 14492-2; EN 60204-32;  
EN 55014-1; EN 55014-2; EN 61000-3-2; EN 61000-3-3

Landau/Isar, den 26.05.2009

  
Weichselgartner/General Manager


  
Wentao/Product-Management

First CE: 09

Art.-No.: 22.551.21 I.-No.: 01019

Subject to change without notice

Archive-File/Record: 2255120-02-4155050-09

Documents registrar: Robert Mayn

Wiesenweg 22, D-94405 Landau/Isar

# 11. GUARANTEE CERTIFICATE

## Dear Customer,

All of our products undergo strict quality checks to ensure that they reach you in perfect condition. In the unlikely event that your device develops a fault, please contact our service department at the address shown on this guarantee card. Of course, if you would prefer to call us then we are also happy to offer our assistance under the service number printed below. Please note the following terms under which guarantee claims can be made:

1. These guarantee terms cover additional guarantee rights and do not affect your statutory warranty rights. We do not charge you for this guarantee.
2. Our guarantee only covers problems caused by material or manufacturing defects, and it is restricted to the rectification of these defects or replacement of the device. Please note that our devices have not been designed for use in commercial, trade or industrial applications. Consequently, the guarantee is invalidated if the equipment is used in commercial, trade or industrial applications or for other equivalent activities. The following are also excluded from our guarantee: compensation for transport damage, damage caused by failure to comply with the installation/assembly instructions or damage caused by unprofessional installation, failure to comply with the operating instructions (e.g. connection to the wrong mains voltage or current type), misuse or inappropriate use (such as overloading of the device or use of non-approved tools or accessories), failure to comply with the maintenance and safety regulations, ingress of foreign bodies into the device (e.g. sand, stones or dust), effects of force or external influences (e.g. damage caused by the device being dropped) and normal wear resulting from proper operation of the device. This applies in particular to rechargeable batteries for which we nevertheless issue a guarantee period of 12 months.

The guarantee is rendered null and void if any attempt is made to tamper with the device.

3. The guarantee is valid for a period of 3 years starting from the purchase date of the device. Guarantee claims should be submitted before the end of the guarantee period within two weeks of the defect being noticed. No guarantee claims will be accepted after the end of the guarantee period. The original guarantee period remains applicable to the device even if repairs are carried out or parts are replaced. In such cases, the work performed or parts fitted will not result in an extension of the guarantee period, and no new guarantee will become active for the work performed or parts fitted. This also applies when an on-site service is used.
4. In order to assert your guarantee claim, please send your defective device postage-free to the address shown below. Please enclose either the original or a copy of your sales receipt or another dated proof of purchase. Please keep your sales receipt in a safe place, as it is your proof of purchase. It would help us if you could describe the nature of the problem in as much detail as possible. If the defect is covered by our guarantee then your device will either be repaired immediately and returned to you, or we will send you a new device.

Of course, we are also happy offer a chargeable repair service for any defects which are not covered by the scope of this guarantee or for units which are no longer covered. To take advantage of this service, please send the device to our service address.

**Einhell UK Ltd**  
Morpeth Wharf · Twelve Quays  
Birkenhead, Wirral  
CH41 1NG  
Tel. 0151 6491500 · Fax 0151 6491501

**DK**

## Indholdsfortegnelse

	Side
1. Indledning .....	15
2. Sikkerhedsanvisninger .....	15
3. Produktbeskrivelse og leveringsomfang .....	15
4. Formålsbestemt anvendelse .....	16
5. Tekniske data .....	16
6. Før ibrugtagning .....	16-17
7. Betjening .....	17
8. Renholdelse, vedligeholdelse og reservedelsbestilling .....	18
9. Bortskaffelse og genbrug .....	18-19
10. Overensstemmelseserklæring .....	20
11. Garantibevis .....	21

Eftertryk eller anden form for mangfoldiggørelse af skriftligt materiale, ledsagepapirer indbefattet, som omhandler produkter, er kun tilladt efter udtrykkelig tilladelse fra ISC GmbH.

Der tages forbehold for tekniske ændringer

## 1. Indledning

### ⚠️ **Vigtigt!**

Ved brug af el-værktøj er der visse sikkerhedsforanstaltninger, der skal respekteres for at undgå skader på personer og materiel. Læs derfor betjeningsvejledningen grundigt igennem. Opbevar vejledningen et praktisk sted, så du altid kan tage den frem efter behov. Husk at lade betjeningsvejledningen følge med maskinen, hvis du overdrager den til andre! Vi fraskriver os ethvert ansvar for skader på personer eller materiel, som måtte opstå som følge af, at anvisningerne i denne betjeningsvejledning, navnlig vedrørende sikkerhed, tilsidesættes.

## 2. Sikkerhedsanvisninger

### ⚠️ **ADVARSEL!**

**Læs alle sikkerhedsanvisninger og øvrige anvisninger.**

Følg anvisningerne, navnlig sikkerhedsanvisningerne, ikke nøje som beskrevet, kan elektrisk stød, brand og/eller svære kvæstelser være følgen.

**Alle sikkerhedsanvisninger og øvrige anvisninger skal gemmes.**

- Kontroller altid, om netspændingen svarer til spændingsangivelsen på mærkepladen. Hvis netspændingen ikke er overensstemmende, kan det medføre, at maskinen ikke arbejder korrekt, med risiko for personskade.
- Strømforsyningen skal råde over en jording og være sikret med fejlstrømsrelæ.
- Det er forbudt at løfte last, som overskrider mærkelasten.
- Brug kun maskinen til det tiltænkte formål. Løft aldrig personer med hejseværket.
- Træk ikke i ledningen, når du tager stikket ud. Beskyt ledningen mod varme, olie og skarpe kanter.
- Forsøg aldrig at løfte fast eller blokeret last.
- Træk netstikket ud, når hejseværket ikke

benyttes.

- Lad ikke børn og andre uvedkommende personer komme i nærheden af maskinen.
- Det er forbudt at trække last sideværts eller fra den ene side. Undgå, at lasten svinger.
- Kontroller, at krogen bevæger sig i den retning, der er angivet på trykknappen.
- Undersøg med jævne mellemrum hejseværket for skader. Trykknappen skal være i god stand.
- Reparation og vedligeholdelse skal udføres af en el-fagmand på autoriseret værksted. Reparation skal udføres af el-fagmand, ellers er der fare for personskade.
- Undgå hurtig til- og frakobling (trinvis drift).
- Vær hele tiden opmærksom, når du arbejder med hejseværket.
- Stå og arbejd ikke neden under den hævede last.
- Last, der sidder eller er klemt fast, må ikke løftes.

## 3. Produktbeskrivelse og leveringsomfang (fig. 1-2)

1. Fastgøringsbøjle
2. Fastgøringshul til krog
3. Tromle
4. Arm for maksimal tovlængde
5. Arm til automatisk stopmekanisme
6. Ståltov
7. Brydevægt
8. Krog
9. Nødstop-knap
10. Trykknop
11. Fjernbetjening
12. Netledning
13. Styreledning
14. Motor
15. Styretrisse
16. Ekstrakrog

DK

## 4. Formålsbestemt anvendelse

Hejseværket benyttes til løftning og sænkning af last i lukkede rum i overensstemmelse med værkets kapacitet.

Saven må kun anvendes i overensstemmelse med dens tiltænkte formål. Enhver anden form for anvendelse er ikke tilladt. Vi fraskriver os ethvert ansvar for skader, det være sig på personer eller materiel, som måtte opstå som følge af, at maskinen ikke er blevet anvendt korrekt. Ansvaret bæres alene af brugeren/ejeren.

Bemærk, at vore produkter ikke er konstrueret til erhvervsmæssig, håndværksmæssig eller industriel brug. Vi fraskriver os ethvert ansvar, såfremt produktet anvendes i erhvervsmæssigt, håndværksmæssigt, industrielt eller lignende øjemed.

## 5. Tekniske data

Spænding (V)	230 V ~ 50 Hz
Mærkestrøm (A)	2,2
Optagen effekt (W)	500
Driftsmodus	S3 20%:10 min
Mærkelast (kg)	125 / 250
Løftehøjde (m)	11,5 / 5,7
Mærkehastighed (m/min)	8 / 4
Ståltovets diameter (mm)	3,0
Ståltovets trækstyrke (N/mm <sup>2</sup> )	1870
Isolationsklasse	B
Kapslingsklasse	IP24
Motorklasse	M1
Nettovægt (kg)	10,5

Driftsmodus S3 - 20% - 10min: S3 = periodisk drift uden indflydelse fra startprocessen. Det betyder, at den maks. driftstid inden for et tidsrum på 10 min. udgør 20% (2 min.).

## 6. Før ibrugtagning

- Inden du slutter maskinen til strømforsyningsnettet, skal du kontrollere, at dataene på mærkepladen svarer til dataene for strømforsyningsnettet.
- Træk altid stikket ud af stikkontakten, inden du foretager indstillinger på maskinen.
- Hejseværket er ikke egnet til transport af varme og/eller smeltede masser; hejseværket er endvidere ikke konstrueret til brug under lave temperaturer eller i omgivelser med kraftige vejrpåvirkninger.
- Mekanisk gruppe er M1.
- Hejseværkets brugstid er ca. 8000 cykler (ekskl. sliddele). Når trækket har gennemgået 8000 cykler, skal alle mekaniske dele kontrolleres og efterses.
- Læs betjeningsvejledningen, før du tager hejseværket i brug.
- Forvis dig om, at personen, der betjener hejseværket, ved, hvordan det betjenes og fungerer.
- Brugeren skal følge betjeningsvejledningens anvisninger nøje.
- Hejseværket er ikke konstrueret til vedvarende drift. Driftsmodus er: Periodisk drift uden indflydelse fra startprocessen.
- Hejseværkets nominelle effekt varierer ikke med belastningens position.

### 6.1 Udpakning

Når emballagen er fjernet, skal apparatet, ståltovet, krogene, arm for maksimal tovlængde og arm til den automatiske stopmekanisme efterses for eventuelle transportskader.

### 6.2 Samling (fig. 5)

Ståltovet er forsynet med 2 fastgøringsbøjler (1), med hvilke tovet skal fastgøres til et firkantrør/en svingarm.

Firkantrørets/Svingarmens mål skal passe med fastgøringsbøjle (1) størrelse og skal kunne bære en vægt svarende til to gange mærkelasten. Vi anbefaler dig at kontakte en kvalificeret tekniker. Alle skruer skal spændes rigtigt. Firkantrørets/Svingarmens forankring bør underkastes et eftersyn ved kvalificeret tekniker, før hejseværket tages i brug.



### 6.3 Kædetaljefunktion (fig. 6 – 9)

Hejseværket er forsynet med en styretrisse (15) og en ekstrakrog (16). Ved korrekt anvendelse kan hejseværket løfte den dobbelte last.

Monter styretrissen (15) og ekstrakrogen (16) som vist på fig. 6-8. Den fast monterede krog (8) skal hægtes i fastgøringshullet (2) (fig. 9). Lasten løftes nu ved hjælp af to ståltøve, hvorved hejseværket kan løfte den dobbelte last.

## 7. Betjening

### 7.1 Ibrugtagning

- Tag klæbebåndet af tromlen (3) før den første anvendelse.
- Værdien for den A-vurderede støjemission på operatørens plads ligger under 70dB.
- Forsyningsspænding: 230V ± 10%, 50Hz ± 1%.
- Når hejseværket er i drift, skal den omgivende temperatur være mellem 0 °C og 40 °C, og den relative luftfugtighed skal ligge under 85%. Højde over havets overflade: Maks. 1000 m
- Ved transport og magasinering må temperaturen være mellem -25 °C og 55 °C. Den højst tilladte temperatur er 70 °C.
- Brugeren skal løfte lasten fra gulvet med den lavest mulige hastighed. Tovet skal være spændt ud, når lasten løftes.
- Hejseværkets motor (14) er udstyret med en termostatkontakt. Det kan derfor forekomme, at motoren (14) stopper, mens hejseværket kører; motoren starter igen automatisk, når den er kølet ned.
- Det elektriske hejseværk er ikke udstyret med en effektbegrænser. Forsøg derfor ikke at løfte lasten yderligere, når overhedningsbeskyttelsen begrænser driftskapaciteten. Lasten overskrider i så fald hejseværkets nominelle effekt.
- Lad ikke last hænge uden opsyn, med mindre der er truffet de nødvendige sikkerhedsforanstaltninger.
- Maskinen skal sikres med en 10 A sikring eller et 10 A fejlstrømsrelæ for at beskytte

strømkredsen.

- Benyt ikke armene (4/5) til rutinemæssigt stop. Disse tjener udelukkende som stopmekanismer i nødstilfælde.
- Kontroller, før du begynder arbejdet, at ståltovet (6) er viklet korrekt omkring tromlen (3), og at afstanden mellem vindingerne er mindre end ståltovet (fig. 3)
- Vær sikker på, at ladningen er sikret ordentligt på krogen (8) eller - ved kædetaljedrift - på ekstrakrogen (16), og hold altid afstand til lasten og ståltovet (6).

### 7.2 Drift (fig. 9-10)

- Kontroller, om nødstop-knappen (9) er trykket ind. Drej nødstop-kontakten i urets retning, så den frikobles.
- Tryk på trykknappen ▲ (10) for at løfte lasten.
- Tryk på trykknappen ▼ (10) for at sænke lasten.
- Arm til automatisk stopmekanisme (5): Når den maksimale løftehøjde er nået, presser brydevægten (7) armen (5) opad. Dette bevirker, at en endestopkontakt bliver aktiveret, og lasten kan ikke løftes yderligere.
- Arm for maksimal tovlængde (4): Når lasten har nået den lavest mulige position, aktiveres en endestopkontakt, som forhindrer, at lasten kan sænkes yderligere. Denne endestopkontakt forhindrer også, at hejseværket kører i den forkerte retning (krog bevæger sig modsat den retning, der er angivet på trykknappen).
- Når nødstop-knappen (9) trykkes ind, standser hejseværket.
- I tilfælde af en nødsituation skal nødstop-knappen (9) øjeblikkeligt trykkes ind for at stoppe hejseværket. Hejseværket kan ikke betjenes, hvis nødstop-knappen er blevet trykket ind.

**DK**

## 8. Renholdelse, vedligeholdelse og reservedelsbestilling

**Træk stikket ud af stikkontakten inden vedligeholdelsesarbejde.**

### 8.1 Rengøring

- Hold så vidt muligt beskyttelsesanordninger, luftsprækker og motorhuset fri for støv og snavs. Gnid maskinen ren med en ren klud, eller foretag trykluftudblæsning med lavt tryk.
- Apparatet skal rengøres hver gang efter brug.
- Rengør af og til maskinen med en fugtig klud og lidt blød sæbe. Undgå brug af rengørings- eller opløsningsmiddel, da det vil kunne ødelægge maskinens kunststofdele. Pas på, at der ikke kan trænge vand ind i maskinens indvendige dele.

### 8.2 Vedligeholdelse

**Vigtigt! Forvis dig om, at maskinen ikke er forbundet med strømnettet inden vedligeholdelse.**

- Nedenstående: En cyklus svarer til en lasts op- og nedadgående bevægelse. Periodisk prøvning svarer til en prøvning efter 100 cykler.
- Kontroller med jævne mellemrum, at hejseværkets endestopkontakter fungerer, som de skal. (Kontroller uden last.)  
Kontrollen foretages på følgende måde:  
Når tovet når den maksimale løftehøjde, aktiveres armen til den automatiske stopmekanisme (5). Motoren (14) skal nu stoppe.  
Når ståltovet (6) er viklet af, så meget det er muligt, aktiveres armen for maksimal tovlængde (4). Motoren (14) skal nu stoppe.
- Kontroller med jævne mellemrum netledningen (12) og styreledningen (13).
- Ståltov (6) og styretrisse (15) skal smøres i intervaller à 200 cykler.
- Hver 30. cyklus skal det kontrolleres, om det komplette ståltov (6) er i god stand, jf.

fig. 4. Er det beskadiget, skal det erstattes med et nyt ståltov, som er i overensstemmelse med de tekniske data.

- Kontroller for hver 1000 cykler, at skruerne på fastgøringsbøjlen (1) og styretrissen (15) er spændt godt.
- Kontroller for hver 1000 cykler, om krogene (8/16) og styretrissen (15) er i god stand.
- Kontroller hver gang før brug af hejseværket, at nødstop-knappen (9) og trykknappen (10) er i fejlfri drifttilstand.
- Kontroller bremsesystemet for hver 1000 cykler. Hvis der lyder usædvanlig støj fra motoren (14) eller den ikke kan løfte mærkelasten, kan det være fordi, at bremsesystemet trænger til et eftersyn:
  - Udskift beskadigede og nedslidte dele, og gem den tilhørende servicedokumentation.
  - I forbindelse med eventuelle ekstraordinære vedligeholdelsesarbejder bedes du kontakte et autoriseret servicecenter.

### 8.3 Reservedelsbestilling:

Ved bestilling af reservedele skal følgende oplyses:

- Savens type.
- Savens artikelnummer.
- Savens identifikationsnummer.

Aktuelle priser og øvrige oplysninger finder du på internetadressen [www.isc-gmbh.info](http://www.isc-gmbh.info)

## 9. Bortskaffelse og genbrug

Maskinen er pakket ind for at undgå transportskader. Emballagen består af råmaterialer og kan således genanvendes eller indleveres på genbrugsstation.

Maskinen og dens tilbehør består af forskellige materialer, f.eks. metal og plast. Defekte komponenter skal kasseres ifølge miljøforskrifterne og må ikke smides ud som almindeligt husholdningsaffald. Hvis du er i tvivl: Spørg din forhandler, eller forhør dig hos din kommune!



Kun for EU-lande

Smid ikke el-værktøj ud som  
almindeligt husholdningsaffald!

I medfør af Rådets direktiv 2002/96/EF om affald af elektrisk og elektronisk udstyr og dettes omsættelse i den nationale lovgivning skal brugt el-værktøj indsamles separat og indleveres til videreanvendende formål på miljømæssig forsvarlig vis.

Recycling-alternativ til tilbagesendelse:  
Ejeren af el-værktøjet er – med mindre denne tilbagesender maskinen – forpligtet til at bortskaffe maskinen og dens dele ifølge miljøforskrifterne. Den brugte maskine kan indleveres hos en genbrugsstation – spørg evt. personalet her, eller forhør dig hos din kommune. Tilbehør og hjælpemidler, som følger med maskinen, og som ikke indeholder elektriske dele, er ikke omfattet af ovenstående.

DK

## 10. Overensstemmelseserklæring

Einhell Germany AG · Wiesenweg 22 · D-94405 Landau/Isar



## Konformitätserklæring

- erklært følgende Konformität gemäß EU-Richtlinie und Normen für Artikel  
 explains the following conformity according to EU directives and norms for the following product  
 déclare la conformité suivante selon la directive CE et les normes concernant l'article  
 dichiara la seguente conformità secondo la direttiva UE e le norme per l'articolo  
 verklaart de volgende overeenstemming conform EU richtlijn en normen voor het product  
 declara la siguiente conformidad a tenor de la directiva y normas de la UE para el artículo  
 declara a seguinte conformidade, de acordo com a directiva CE e normas para o artigo  
 attesterer følgende overensstemmelse i medfør af EU-direktiv samt standarder for artiklen  
 förklarar följande överensstämmelse enl. EU-direktiv och standarder för artikeln  
 vakuuttaa, että tuote täyttää EU-direktiivin ja standardien vaatimukset  
 töendab toote vastavust EL direktiivile ja standarditele  
 vydává následující prohlášení o shodě podle směrnice EU a norem pro výrobek  
 potrjuje sledečo skladnost s smernico EU in standardi za izdelek  
 vydáva nasledujúce prehlásenie o zhode podľa smernice EÚ a noriem pre výrobok  
 a cikkekhöz az EU-irányvonal és Normák szerint a következő konformitást jelenti ki  
 deklaruje zgodność wymienionego poniżej artykułu z następującymi normami na podstawie dyrektywy WE.  
 декларира съответното съответствие съгласно Директива на ЕС и норми за артикул  
 paskaidro šādu atbilstību ES direktīvai un standartiem  
 apibūdina šj atitikimā EU reikalavimams ir prekės normoms  
 declară următoarea conformitate conform directivei UE și normelor pentru articolul  
 δηλώνει την ακόλουθη συμμόρφωση σύμφωνα με την Οδηγία ΕΚ και τα πρότυπα για το προϊόν  
 potvrđuje sljedeću usklađenost prema smjernicama EU i normama za artikl  
 potvrđuje sljedeću usklađenost prema smjernicama EU i normama za artikl  
 potvrđuje sledeću usklađenost prema smernicama EZ i normama za artikal  
 следующим удостоверяется, что следующие продукты соответствуют директивам и нормам ЕС  
 проголошує про зазначену нижче відповідність виробу директивам та стандартам ЄС на виріб  
 ja izjavuва slednata soobrznost soglasno EU-direktivata i normite za artikli  
 Ürünü ile ilgili AB direktifleri ve normları gereğince aşağıda açıklanan uygunluğu belirtir  
 erklærer følgende samsvar i henhold til EU-direktivet og standarder for artikkel  
 Lýsir uppfyllingu EU-reglna og annarra staðla vöru

## Seilhebezug P-SZ 250

- |   |  |
|---|--|
| <input checked="" type="checkbox"/> 2006/95/EC  | <input checked="" type="checkbox"/> 2006/42/EC   |
| <input type="checkbox"/> 2006/28/EC             | <input checked="" type="checkbox"/> 98/37/EC   |
| <input type="checkbox"/> 2005/32/EC             | <input type="checkbox"/> Annex IV<br>Notified Body:<br>Notified Body No.:<br>Reg. No.:   |
| <input checked="" type="checkbox"/> 2004/108/EC | <input type="checkbox"/> 2000/14/EC_2005/88/EC   |
| <input type="checkbox"/> 2004/22/EC             | <input type="checkbox"/> Annex V   |
| <input type="checkbox"/> 1999/5/EC              | <input type="checkbox"/> Annex VI<br>Noise: measured $L_{WA}$ = dB (A); guaranteed $L_{WA}$ = dB (A)<br>P = KW; L/O = cm<br>Notified Body: |
| <input type="checkbox"/> 97/23/EC               | <input type="checkbox"/> 2004/26/EC<br>Emission No.:   |
| <input type="checkbox"/> 90/396/EC              |  |
| <input type="checkbox"/> 89/686/EC_96/58/EC     |  |
| <input type="checkbox"/> 87/404/EC              |  |

Standard references: EN 14121; EN 14492-2; EN 60204-32;  
EN 55014-1; EN 55014-2; EN 61000-3-2; EN 61000-3-3

Landau/Isar, den 26.05.2009

  
Weichselgartner/General Manager


  
Wentao/Product-Management

First CE: 09

Art.-No.: 22.551.21 I.-No.: 01019

Subject to change without notice

Archive-File/Record: 2255120-02-4155050-09

Documents registrar: Robert Mayn

Wiesenweg 22, D-94405 Landau/Isar

# 11. GARANTIBEVIS

## Kære kunde!

Vore produkter er underlagt streng kvalitetskontrol. Hvis produktet alligevel på et tidspunkt skulle udvise fejl, beklager vi naturligvis dette og beder dig kontakte vores kundeservice på adressen, som står angivet på dette garantibevis. Du kan naturligvis også ringe til os på det nedenfor angivne servicenummer. For indfrielse af garantikrav gælder følgende:

1. Nærværende garanti fastsætter betingelserne for udvidede garantiydelser. Garantibestemmelser fastsat ved lov berøres ikke af nærværende garanti. Vores garantiydelser er gratis.
2. Garantiydelsen omfatter udelukkende mangler, som kan føres tilbage til materiale- eller produktionsfejl, og begrænser sig til afhjælpning af disse resp. levering af erstatningsprodukt. Bemærk, at vore produkter ikke er konstrueret til erhvervsmæssig, håndværksmæssig eller industriel brug. Garantiaftale kan derfor ikke anses for indgået, såfremt produktet anvendes i erhvervsmæssigt, håndværksmæssigt, industrielt eller lignende øjemed. Endvidere dækker garantien ikke erstatningsydelser for transportskader, skader som følge af tilsidesættelse af montagevejledningens anvisninger eller som følge af usagkyndig installation, tilsidesættelse af brugsanvisningen (f.eks. tilslutning til forkert netspænding eller strømtype), misbrug eller usagkyndig anvendelse (f.eks. overbelastning eller brug af værktøj eller tilbehør, som ikke er godkendt), tilsidesættelse af vedligeholdelses- og sikkerhedsforskrifter, indtrængen af fremmedlegemer i apparatet (f.eks. sand, sten eller støv), brug af vold eller eksterne påvirkninger udefra (f.eks. fordi produktet tabes) samt skader, der hidrører fra almindelig slitage. Dette gælder især batterier, som vi dog alligevel yder 12 måneders garanti på

Garantien mister sin gyldighed, hvis der allerede er blevet foretaget indgreb i apparatet.

3. Garantiperioden udgør 3 år at regne fra købsdatoen. Garantikrav skal gøres gældende inden for to uger, efter at defekten er blevet konstateret. Garantikrav kan ikke gøres gældende efter garantiperiodens udløb. Reparation eller udskiftning af apparatet medfører ikke forlængelse af garantiperioden, heller ikke for eventuelt indbyggede reservedele. Dette gælder også servicearbejder, der foretages på stedet.
4. For at kunne gøre garantikrav gældende skal du sende det defekte produkt portofrit til nedenstående adresse. Original købskvittering eller lignende dateret dokumentation skal vedsendes. Købskvitteringen skal gemmes som dokumentation! Beskriv venligst så nøjagtigt som muligt grunden til din reklamation. Er defekten omfattet af garantien, vil produktet omgående blive repareret og returneret, eller du vil modtage et helt nyt.

Mod betaling udbedrer vi naturligvis også gerne defekter på produktet, som ikke/ikke længere er omfattet af garantien. Du skal blot indsende produktet til vores serviceadresse.

**Einhell Skandinavien**  
Bergsoesvej 36  
DK-8600 Silkeborg  
Tel. 087 201200 · Fax 087 201203

**GR****Περιεχόμενα****Σελίδα**

1. Εισαγωγή .....	23
2. Υποδείξεις ασφαλείας .....	23
3. Περιγραφή της συσκευής και συμπαραδιδόμενα .....	23-24
4. Σωστή χρήση.....	24
5. Ενδεδειγμένη χρήση.....	24
6. Πριν από την πρώτη χρήση .....	24-25
7. Χειρισμός.....	25-26
8. Καθαρισμός, συντήρησης, παραγγελία ανταλλακτικών .....	26-27
9. Διάθεση στα απορρίμματα και επαναχρησιμοποίηση .....	27
10. Δήλωση Συμμόρφωσης .....	28
11. Εγγύηση.....	29

Η ανατύπωση ή άλλη αναπαραγωγή τεκμηριώσεων και συνοδευτικών φυλλαδίων των προϊόντων της εταιρείας, ακόμη και σε αποσπάσματα, επιτρέπεται μόνο μετά από ρητή έγκριση της εταιρείας ISC GmbH.

22

Ο κατασκευαστής διατηρεί το δικαίωμα τεχνικών αλλαγών

## 1. Εισαγωγή

### ⚠ Προσοχή!

Κατά τη χρήση των συσκευών πρέπει να λαμβάνονται ορισμένα μέτρα ασφαλείας προς αποφυγή τραυματισμών και ζημιών. Για το λόγο αυτό παρακαλούμε να διαβάσετε προσεκτικά αυτή την Οδηγία χρήσης. Φυλάξτε την καλά για να έχετε τις πληροφορίες στη διάθεσή σας ανά πάσα στιγμή. Εάν δώσατε τη συσκευή σε άλλα άτομα, παρακαλούμε να τους παραδώσετε και αυτή την Οδηγία χρήσης. Δεν αναλαμβάνουμε καμία ευθύνη για ατυχήματα που οφείλονται στη μη τήρηση αυτής της Οδηγίας και των υποδείξεων ασφαλείας.

## 2. Υποδείξεις ασφαλείας

### ⚠ ΠΡΟΣΟΧΗ!

#### Διαβάστε όλες τις Υποδείξεις ασφαλείας και τις Οδηγίες.

Εάν δεν ακολουθήσετε τις Υποδείξεις ασφαλείας και τις Οδηγίες δεν αποκλείονται ηλεκτροπληξία, πυρκαγιά και/ή σοβαροί τραυματισμοί.

#### Φυλάξτε προσεκτικά όλες τις Υποδείξεις ασφαλείας και τις Οδηγίες για το μέλλον.

- Να ελέγχετε πάντα εάν η τάση του δικτύου αντιστοιχεί στην τάση που αναγράφεται στην ετικέτα. Σε περίπτωση ακατάλληλης τάσης δικτύου, δεν αποκλείεται η όχι σωστή λειτουργία της μηχανής και η πρόκληση σωματικών βλαβών.
- Η παροχή ρεύματος να διαθέτει γείωση και να ασφαρίζεται με διακόπτη διαρροής έντασης.
- Απαγορεύεται η ανύψωση φορτίων που υπερβαίνουν το ονομαστικό φορτίο.
- Να χρησιμοποιείτε τη συσκευή μόνο για το σκοπό για τον οποίο προορίζεται. Ποτέ μην μεταφέρετε άτομα με το παλάγκο.
- Πην τραβάτε απ'ότο καλώδιο για να βγ'αλετε το βύσμα από την πρ'ζια. Να

προστατεύετε το καλώδιο από ψηλές θερμοκρασίες, λάδι και αιχμηρές άκρες.

- Ποτέ μην προσπαθείτε να ανυψώσετε στερεά ή μπλοκαρισμένα φορτία.
- Να βγάζετε το βύσμα από την πρίζα, όταν χρησιμοποιείτε το παλάγκο.
- Να κρατάτε παιδιά και άλλα μη εξουσιοδοτημένα άτομα μακριά από τη μηχανή.
- Απαγορεύεται να τραβάτε φορτία από το πλάϊ ή προς το πλάϊ. Να αποφεύγετε την ταλάντωση των φορτίων.
- Εξασφαλίστε την κίνηση του γάντζου προς την ίδια κατεύθυνση όπως εμφανίζεται στον διακόπτη χειρισμού.
- Να ελέγχετε το παλάγκο τακτικά για ενδεχόμενες βλάβες. Ο διακόπτης πρέπει να βρίσκεται σε καλή κατάσταση.
- Οι επισκευές και εργασίες συντήρησης να εκτελούνται πάντα μόνο σε συμβεβλημένα συνεργεία από ειδικευμένους ηλεκτρολόγους. Οι επισκευές επιτρέπεται να εκτελούνται μόνο από ειδικευμένους ηλεκτρολόγους, διαφορετικά δεν αποκλείονται τραυματισμοί του χειριστή.
- Να αποφεύγετε απότομη ενεργοποίηση και απενεργοποίηση (βηματική λειτουργία).
- Κατά τον χειρισμό του παλάγκου να είστε πάντα ιδιαίτερα προσεκτικοί.
- Μη στέκεστε και μην εργάζεστε κάτω από ανυψωμένο φορτίο.
- Δεν επιτρέπεται η ανύψωση σφηνωμένων ή μπλοκαρισμένων φορτίων.

## 3. Περιγραφή της συσκευής και συμπαραδιδόμενα (εικ. 1-2)

1. Βραχίονας στερέωσης
2. Τρύπα στερέωσης για το γάντζο
3. Κύλινδρος
4. Μοχλός για μέγιστο μήκος σχοινιού
5. Μοχλός του αυτόματου μηχανισμού στοπ
6. Ατσάλινο σχοινί
7. Βάρος απενεργοποίησης
8. Γάντζος
9. Διακόπτης ενεργοποίησης / απενεργοποίησης έκτακτης ανάγκης

**GR**

10. Διακόπτης πίεσης
11. Τηλεχειρισμός
12. Καλώδιο σύνδεσης με το δίκτυο
13. Αγωγός ελέγχου
14. Κινητήρας
15. Τροχός ανατροπής
16. Πρόσθετος γάντζος

#### 4. Σωστή χρήση

Το παλάγκο προορίζεται για την ανύψωση και το χαμηλώνμα φορτίων σε κλειστούς χ'ρους ανάλογα με την ισχύ της συσκευής

Η μηχανή επιτρέπεται να χρησιμοποιηθεί μόνο για τον σκοπό για τον οποίο προορίζεται. Κάθε πέραν τούτου χρήση δεν ανταποκρίνεται στο σκοπό για τον οποίο προορίζεται. Για βλάβες που οφείλονται σε παρόμοια χρήση ή για τραυματισμούς παντός είδους ευθύνεται ο χρήστης/χειριστής και όχι ο κατασκευαστής.

Παρακαλούμε να προσέξετε πως οι συσκευές μας δεν προορίζονται και δεν έχουν κατασκευαστεί για επαγγελματική, βιοτεχνική ή βιομηχανική χρήση. Δεν αναλαμβάνουμε εγγύηση σε περίπτωση κατά την οποία η συσκευή χρησιμοποιήθηκε σε συνεργεία, βιοτεχνίες ή στη βιομηχανία ή σε εργασίες παρόμοιες με αυτές.

#### 5. Ενδειγμένη χρήση

Τάση (V)	230 V ~ 50 Hz
Ονομαστικό ρεύμα (A)	2,2
Απορρόφηση ισχύος (W)	500
Είδος λειτουργίας	S3 20%:10 min
Ονομαστικό φορτίο (kg)	125 / 250
Ύψος ανύψωσης (m)	11,5 / 5,7
Ονομαστική ταχύτητα (m/min)	8 / 4
Διάμετρος του ατσάλινου σχοινιού (mm)	3,0
Αντοχή σε εφελκυσμό του ατσάλινου σχοινιού (N/mm <sup>2</sup> )	1870
Κλάση μόνωσης	B
Κλάση προστασίας	IP24
Τάση προωστικού κινητήρα	M1
Καθαρό βάρος (kg)	10,5

Είδος λειτουργίας S3 - 20%-10min: S3 = λειτουργία διακοπής χωρίς επίδραση της διαδικασίας εκκίνησης Αυτό σημαίνει πως σε διάστημα 10 λεπτών η μέγιστη διάρκεια λειτουργίας ανέρχεται σε 20% (2 λεπτά).

#### 6. Πριν από την πρώτη χρήση

- Πριν τη σύνδεση σιγουρευτείτε πως τα στοιχεία στην ετικέτα του συμφωνούν με τα στοιχεία του δικτύου.
- Πριν κάνετε ρυθμίσεις στη συσκευή να βγάξετε πάντα το βύσμα από την πρίζα.
- Το παλάγκο δεν είναι κατάλληλο για τη μεταφορά θερμών και/ή τηγμένων μαζών, επίσης δεν είναι κατάλληλο για τη χρήση σε χαμηλές θερμοκρασίες και σε περιβάλλον ιδιαίτερα εκτεθειμένο στις καιρικές συνθήκες.
- Μηχανική ομάδα είναι M1.
- Η διάρκεια χρήσης του παλάγκου είναι περ. 8000 κύκλοι (εξαιρουμένων των αναλώσιμων). Όταν έχουν εκτελεσθεί 8000 κύκλοι, πρέπει να ελεγχθούν και να επιθεωρηθούν όλα τα μηχανικά τμήματα.
- Να διαβάσετε και να καταλάβετε τις



Οδηγίες χρήσης πριν τη χρήση του παλάγκου.

- Εξασφαλίστε πως ο χειριστής γνωρίζει πώς λειτουργεί η μηχανή και πώς πρέπει να χειριστεί.
- Ο χρήστης να ακολουθεί τις οδηγίες στις Οδηγίες χρήσης.
- Το παλάγκο δεν προορίζεται για συνεχή χρήση. Το είδος λειτουργίας είναι: λειτουργία διακοπής χωρίς επίδραση της διαδικασίας εκκίνησης
- Η ονομαστική ισχύς της μηχανής δεν διαφέρει ανάλογα με τη θέση του φορτίου.

### 6.1 Ξεπακετάρισμα

Αφού ανοίξετε τη συσκευασία, ελέγχετε τη συσκευή, το συρματόσχοινο, τους γάντζους, τον μοχλό για μέγιστο μήκος του σχοινού και τον μοχλό του αυτόματου μηχανισμού stop για ενδεχόμενες βλάβες κατά την μεταφορά.

### 6.2 Συναρμολόγηση (εικ. 5)

Το παλάγκο ανύψωσης είναι εξοπλισμένο με 2 βραχίονες στερέωσης (1), με τους οποίους πρέπει να στερεωθεί σε σωλήνα ορθογώνιας διατομής / περιστρεφόμενο βραχίονα. Οι διαστάσεις του ορθογώνιου σωλήνα / περιστρεφόμενου βραχίονα πρέπει να ταιριάζουν στο μέγεθος των βραχιόνων στερέωσης (1) και να έχει την ικανότητα να φέρει το διπλάσιο του ονομαστικού φορτίου. Σας συνιστούμε να επικοινωνήσετε με ειδικευμένο τεχνικό. Όλες οι βίδες πρέπει να είναι καλά σφιγμένες. Πριν τη θέση σε λειτουργία πρέπει να ελέγξει ένας ειδικευμένος τεχνικός τη στερέωση του ορθογώνιου σωλήνα / περιστρεφόμενου βραχίονα.

### 6.3 Λειτουργία του παλάγκου (εικ. 6-9)

Το παλάγκο διαθέτει ένα τροχό ανατροπής (15) και ένα πρόσθετο γάντζο (16). Με σωστή χρήση το παλάγκο μπορεί να φέρει το διπλάσιο φορτίο.

Στερεώστε τον τροχό ανατροπής (15) και τον πρόσθετο γάντζο (16) όπως παριστάνεται στην εικόνα 6-8. Ο σταθερά τοποθετημένος γάντζος (8) πρέπει να κρεμαστεί στην τρύπα στερέωσης (2) (απεικ. 9).

Το φορτίο ανυψώνεται με τη βοήθεια δύο ατσάλινων σχοινιών, έτσι το παλάγκο μπορεί να σηκώσει το διπλό φορτίο.

## 7. Χειρισμός

### 7.1 Θέση σε λειτουργία

- Πριν την πρώτη χρήση αφαιρέστε την ταινία από τον κύλινδρο (3).
- Η τιμή της εκπομπής θορύβου A στη θέση του χειριστή είναι κάτω των 70dB.
- Τάση τροφοδοσίας: 230V ± 10%, 50Hz ± 1%.
- Το παλάγκο να χρησιμοποιείται σε θερμοκρασίες περιβάλλοντος μεταξύ 0°C και 40°C και σχετική υγρασία αέρα κάτω από 85%. Ύψος πάνω από το επίπεδο της θάλασσας: Μέγ. 1000 m.
- Για μεταφορά και αποθήκευση η θερμοκρασία να κυμαίνεται μεταξύ -25 °C και 55 °C. Η μέγιστη επιτρεπτή θερμοκρασία δεν επιτρέπεται να ανέρχεται πάνω από 70°C.
- Ο χρήστης να ανυψώνει το φορτίο από το δάπεδο με τη χαμηλότερη δυνατή ταχύτητα. Το σχοινί να είναι τεντωμένο, όταν ανυψώνεται το φορτίο.
- Ο κινητήρας (14) του παλάγκου είναι εξοπλισμένος με διακόπτη θερμοστάτη. Κατά τη διάρκεια της λειτουργίας του παλάγκου μπορεί να διακοπεί η λειτουργία του κινητήρα (14), ο οποίος ξαναλειτουργεί αυτόματα όταν κρυώσει.
- Το ηλεκτρικό παλάγκο δεν διαθέτει σύστημα περιορισμού της ονομαστικής ισχύος. Γιαυτό παρακαλούμε να μη προσπαθήτε να ανασηκώσετε το φορτίο, όταν το σύστημα προστασίας από υπερθέρμανσης περιορίζει τη λειτουργία. Στην περίπτωση αυτή το φορτίο υπερβαίνει την ονομαστική ισχύ του παλάγκου.
- Μην αφήνετε αιωρούμενα φορτία χωρίς επίβλεψη και χωρίς να έχετε λάβει τα απαιτούμενα μέτρα ασφαλείας.
- Ασφαλίστε τη συσκευή με ασφάλεια 10A ή με διακόπτη διαρροής έντασης 10A για να προστατέψετε το κύκλωμα.

**GR**

- Μη χρησιμοποιείτε τους μοχλούς (4/5) σαν σύστημα στοπ ρουτίνας. Οι μοχλοί αυτοί αποτελούν σύστημα διακοπής της λειτουργίας μόνο ια περίπτωση ανάγκης.
- Πριν αρχίσετε, σιγουρευτείτε πως το ατσάλινο σχοινί (6) έχει τυλιχτεί σωστά γύρω από τον κύλινδρο (3) και πως η απόσταση μεταξύ των περιελίξεων είναι μικρότερη από το ατσάλινο σχοινί (εικ. 3)
- Σιγουρευτείτε πως το φορτίο κρέμετε σωστά στο γάντζο (8) ή σε περίπτωση λειτουργίας σύσπαστου, πως το φορτίο είναι καλά ασφαλισμένο στον πρόσθετο γάντζο (16). Να τηρε΄τε πάντα απ΄σοταση προς το φορτίο και το ατσάλινο σχοινί (6).

**7.2 Λειτουργία (εικ. 9-10)**

- Ελέγξτε εάν είναι πιεσμένος ο διακόπτης έκτακτης ανάγκης (9). Στριψτε τον διακόπτη έκτακτης ανάγκης δεξιόστροφα για να τον απασφαλίσετε.
- Πιέστε τον διακόπτη πίεσης ▲ (10) για την ανύψωση του φορτίου.
- Πιέστε το διακόπτη πίεσης ▼ (10) για το χαμήλωμα του φορτίου.
- Μοχλός του αυτόματου μηχανισμού στοπ (5): Όταν επιτευχθεί το μέγιστο ύψος, το βάρος απενεργοποίησης (7) πιέζει το μοχλό (5) προς τα επάνω. έτσι ενεργοποιείται ο θερματικός διακόπτης και το φορτίο δεν μπορεί πλέον να ανασηκωθεί.
- Μοχλός για μέγιστο μήκος σχοινιού (4): Όταν το φορτίο φτάσει τη χαμηλότερη θέση, ενεργοποιείται ένας θερματικός διακόπτης, που δεν επιτρέπει το χαμήλωμα του φορτίου. Αυτός ο θερματικός διακόπτης θα εμπόδιζε και μία λειτουργία του παλάγκου προς τη λάθος κατεύθυνση (ο γάντζος κινείται αντίστροφα προς την κατεύθυνση που φαίνονται στο διακόπτη χειρισμού).
- Εάν ενεργοποιηθεί ο διακόπτης έκτακτης ανάγκης (9), διακόπτεται η κίνηση του παλάγκου.
- Σε περίπτωση κινδύνου, πιέστε αμέσως τον διακόπτη έκτακτης ανάγκης (9), για να διακόψετε την κίνηση του παλάγκου. Ο χειρισμός του παλάγκου δεν είναι

δυνατός, όταν έχει γίνει χειρισμός το διακόπτη έκτακτης ανάγκης.

**8. Καθαρισμός, συντήρησης, παραγγελία ανταλλακτικών**

**Πριν από όλες τις εργασίες καθαρισμού να βγάξετε το φιν από τη πρίζα.**

**8.1 Καθαρισμός**

- Να τηρείτε τα συστήματα ασφαλείας, τις σχισμές αερισμού και το περίβλημα του κινητήρα όσο πιο καθαρά από σκόνη γίνεται. Σκουπίστε τη συσκευή με καθαρό πανί ή φυσήξτε τη με πεπιεσμένο αέρα σε χαμηλή πίεση.
- Να καθαρίζετε τη συσκευή αμέσως μετά από κάθε χρήση.
- Να καθαρίζετε τη συσκευή μτακτικά με ένα υγρό πανί και λίγο μαλακό σαπούνι. Μη χρησιμοποιείτε καθαριστικά ή διαλύτες, διότι έτσι δεν αποκλείεται η διάβρωση της συσκευής. Να προσέχετε να μην εισέλθει νερό στο εσωτερικό της συσκευής.

**8.2 Συντήρηση**

**Προσοχή! Να σιγουρευέστε πάντα πως η μηχανή δεν είναι συνδεδεμένη με το δίκτυο όταν περιποιήστε τη μηχανή.**

- Προσοχή: Ένας κύκλος αντιστοιχεί στην κίνηση προς τα επάνω και προς τα κάτω ενός φορτίου. Έλεγχος κατά διαστήματα σημαίνει έλεγχος μετά από 100 κύκλους.
- Να ελέγχετε κατά διαστήματα, πως λειτουργούν άψογα οι θερματικοί διακόπτες του παλάγκου. (έλεγχος χωρίς φορτίο) Ο έλεγχος γίνεται ως εξής: Όταν το σχοινί φτάσει το μέγιστο ύψος, χειρίζεστε το μοχλό του αυτόματου μηχανισμού διακοπής λειτουργίας (5). Τώρα πρέπει να διακοπεί η λειτουργία του κινητήρα (14). Όταν ξετυλιχτεί το ατσάλινο σχοινί (6) μέχρι το τέρμα, γίνεται χειρισμός του μοχλού για μέγιστο μήκος σχοινιού (4). Τώρα πρέπει να διακοπεί η λειτουργία του κινητήρα (14).

- Παρακαλούμε να ελέγχετε κατά διαστήματα το καλώδιο (12) και τον αγωγό ελέγχου (13).
- Κάθε 200 κύκλους πρέπει να λιπαίνονται το ατσάλινο σχοινί (6) και ο τροχός ανατροπής (15).
- Κάθε 30 κύκλους πρέπει σύμφωνα με την εικόνα 4 να ελέγχετε, εάν είναι σε καλή κατάσταση όλο το ατσάλινο σχοινί (6). Εάν είναι ελαττωματικό, πρέπει να αντικατασταθεί από άλλο ατσάλινο σχοινί σύμφωνα με τα τεχνικά χαρακτηριστικά.
- Κάθε 1000 κύκλους να ελέγχετε εάν οι βίδες των βραχιόνων στερέωσης (1) και ο τροχός ανατροπής (15) είναι καλά σφικτές/οί.
- Κάθε 1000 κύκλους να ελέγχετε, εάν οι γάντζοι (8/16) και ο τροχός ανατροπής (15) είναι σε καλή κατάσταση.
- Να ελέγχετε πριν από κάθε χρήση του παλάγκου, εάν ο διακόπτης έκτακτης ανάγκης (9) και ο διακόπτης πίεσης (10) είναι σε άψογη κατάσταση.
- Κάθε 1000 κύκλους να ελέγχετε το σύστημα πέδησης. Όταν ο κινητήρας (14) κάνει ασυνήθιστους θόρυβους ή δεν είναι σε θέση να ανασηκώσει το ονομαστικό φορτίο, μπορεί να χρειάζεται έλεγχο το σύστημα πέδησης.
  - Να αντικαθίστανται τα ελαττωματικά ή φθαρμένα τμήματα και να φυλάγετε την τεκμηρίωση των εργασιών συντήρησης.
  - Για έκτακτες εργασίες επίσκευής, να επικοινωνείτε με συμβεβλημένο κέντρο σέρβις.

### 8.3 Παραγγελία ανταλλακτικών

Όταν παραγγέλλετε ανταλλακτικά να μη ξεχάσετε να αναφέρετε τα εξής στοιχεία:

- Τύπος συσκευής
- Αριθμός είδους της συσκευής
- Χαρακτηριστικός αριθμός (Ident Nr.) της συσκευής

Για ισχύουσες τιμές και πληροφορίες  
www.isc-gmbh.info

## 9. Διάθεση στα απορρίμματα και επαναχρησιμοποίηση

Προς αποφυγή ζημιών κατά τη μεταφορά η συσκευή βρίσκεται σε μία συσκευασία. Η συσκευασία αυτή είναι πρώτη ύλη, μπορεί δηλαδή να επαναμεταχειριστεί ή να ανακυκλωθεί.

Ο συμπίεσής και τα εξαρτήματά του αποτελούνται από διαφορετικά υλικά, όπως π.χ. από μέταλλα και πλαστικά. Παρακαλούμε να διαθέσετε τα ελαττωματικά εξαρτήματα στα ειδικά και προβληματικά απορρίμματα. Εάν έχετε απορίες, ρωτήστε στο ειδικό σας κατάστημα ή στη διοίκηση του Δήμου σας.



Μόνο για κράτη μέλη της Ε.Ε.

Μην πετάτε τα ηλεκτρικά εργαλεία στα οικιακά απορρίμματα!

Σύμφωνα με την ευρωπαϊκή Οδηγία 2002/96/Εκγια τις μεταχειρισμένες ηλεκτρικές και ηλεκτρονικές συσκευές και την μετατροπή τους σε εθνικό δίκαιο πρέπει να συλλέγονται χωριστά οι παλιές ηλεκτρικές συσκευές και να προσάγονται σε φιλική για το περιβάλλον μεταχείριση αποβλήτων.

Εναλλακτική λύση ανακύκλωσης:

Ο ιδιοκτήτης της ηλεκτρικής συσκευής υποχρεούται εάν δεν επιστρέψει τη συσκευή να φροντίσει για σωστή απόσυρσή της όταν δεν την χρειάζεται πλέον. Η παλιά συσκευή μπορεί να παραδοθεί σε υπηρεσίες συγκέντρωσης παλιών συσκευών προ απόσυρση, όπου εκτελείται η απόσυρση σύμφωνα με τους εθνικούς νόμους ανακύκλωσης και αποβλήτων. Δεν συμπεριλαμβάνονται τα μη ηλεκτρικά εξαρτήματα και αξεσουάρ των συσκευών.

**GR****10. Δήλωση Συμμόρφωσης****Einhell Germany AG · Wiesenweg 22 · D-94405 Landau/Isar****Konformitätserklärung**

- erklårt folgende Konformität gemäß EU-Richtlinie und Normen für Artikel  
 explains the following conformity according to EU directives and norms for the following product  
 déclare la conformité suivante selon la directive CE et les normes concernant l'article  
 dichiara la seguente conformità secondo la direttiva UE e le norme per l'articolo  
 verklaart de volgende overeenstemming conform EU richtlijn en normen voor het product  
 declara la siguiente conformidad a tenor de la directiva y normas de la UE para el artículo  
 declara a seguinte conformidade, de acordo com a directiva CE e normas para o artigo  
 attesterer følgende overensstemmelse i medfør af EU-direktiv samt standarder for artiklen  
 förklarar följande överensstämmelse enl. EU-direktiv och standarder för artikeln  
 vakuuttaa, että tuote täyttää EU-direktiivin ja standardien vaatimukset  
 tëendab toote vastavust EL direktiivile ja standarditele  
 vydává následující prohlášení o shodě podle směrnice EU a norem pro výrobek  
 potrjuje sledečo skladnost s smernico EU in standardi za izdelke  
 vydáva nasledujúce prehlásenie o zhode podľa smernice EÚ a noriem pre výrobok  
 a cikkekhöz az EU-irányvonal és Normák szerint a következő konformitást jelenti ki  
 deklaruje zgodność wymienionego poniżej artykułu z następującymi normami na podstawie dyrektywy WE.  
 декларира съответното съответствие съгласно Директива на ЕС и норми за артикул  
 paskaidro šādu atbilstību ES direktīvai un standartiem  
 apibūdina šj atitikimā EU reikalavimams ir prekės normoms  
 declară următoarea conformitate conform directivei UE și normelor pentru articolul  
 δηλώνει την ακόλουθη συμμόρφωση σύμφωνα με την Οδηγία ΕΚ και τα πρότυπα για το προϊόν  
 potvrđuje sljedeću usklađenost prema smjernicama EU i normama za artikl  
 potvrđuje sljedeću usklađenost prema smjernicama EU i normama za artikl  
 potvrđuje sledeću usklađenost prema smernicama EZ i normama za artikal  
 следующим удостоверяется, что следующие продукты соответствуют директивам и нормам ЕС  
 проголошує про зазначену нижче відповідність виробу директивам та стандартам ЄС на виріб  
 ja izjavuва следната сообразност согласно ЕУ-директивата и нормите за артикли  
 Ürünü ile ilgili AB direktifleri ve normları gereğince aşağıda açıklanan uygunluğu belirtir  
 erklærer følgende samsvar i henhold til EU-direktivet og standarder for artikkel  
 Lýsir uppfyllingu EU-reglna og annarra staðla vöru

**Seilhebezug P-SZ 250**

- |   |  |
|---|--|
| <input checked="" type="checkbox"/> 2006/95/EC  | <input checked="" type="checkbox"/> 2006/42/EC   |
| <input type="checkbox"/> 2006/28/EC             | <input checked="" type="checkbox"/> 98/37/EC   |
| <input type="checkbox"/> 2005/32/EC             | <input type="checkbox"/> Annex IV<br>Notified Body:<br>Notified Body No.:<br>Reg. No.:   |
| <input checked="" type="checkbox"/> 2004/108/EC | <input type="checkbox"/> 2000/14/EC_2005/88/EC   |
| <input type="checkbox"/> 2004/22/EC             | <input type="checkbox"/> Annex V   |
| <input type="checkbox"/> 1999/5/EC              | <input type="checkbox"/> Annex VI<br>Noise: measured L <sub>WA</sub> = dB (A); guaranteed L <sub>WA</sub> = dB (A)<br>P = KW; L/O = cm<br>Notified Body: |
| <input type="checkbox"/> 97/23/EC               | <input type="checkbox"/> 2004/26/EC<br>Emission No.:   |
| <input type="checkbox"/> 90/396/EC              |  |
| <input type="checkbox"/> 89/686/EC_96/58/EC     |  |
| <input type="checkbox"/> 87/404/EC              |  |

**Standard references: EN 14121; EN 14492-2; EN 60204-32;  
EN 55014-1; EN 55014-2; EN 61000-3-2; EN 61000-3-3**

Landau/Isar, den 26.05.2009

Weichselgartner/General Manager

Wentao/Product-Management

First CE: 09

Art.-No.: 22.551.21 I.-No.: 01019

Subject to change without notice

Archive-File/Record: 2255120-02-4155050-09

Documents registrar: Robert Mayn

Wiesenweg 22, D-94405 Landau/Isar

# 11. ΕΓΓΥΗΣΗ

## Αξιότιμη πελάτισσα, αξιότιμε πελάτη,

Τα προϊόντα μας υπόκεινται σε αυστηρούς ελέγχους ποιότητας. Εάν παρ' όλα αυτά κάποτε δεν λειτουργήσουν άψογα, λυπούμαστε πολύ και σας παρακαλούμε να αποτανθείτε προς το τμήμαμα Εξυπηρέτησης Πελατών, στη διεύθυνση που αναφέρετε σε αυτή την εγγύηση. Ευχαρίστως σας βοηθούμε και τηλεφωνικώς στον αριθμό που αναφέρετε πιο κάτω. Για την κατίσχυση των αξιώσεων εγγύησης ισχύουν τα εξής:

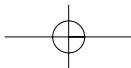
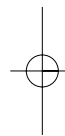
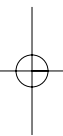
1. Αυτοί οι όροι εγγύησης ρυθμίζουν πρόσθετες παροχές εγγύησης. Από την εγγύηση αυτή δεν θίγονται οι νόμιμες αξιώσεις σας για εγγύηση. Η παροχή της εγγύησής μας είναι για σας δωρεάν.
2. Η εγγύηση καλύπτει αποκλειστικά και μόνο βλάβες που οφείλονται σε ελαττώματα υλικών ή παραγωγής και περιορίζονται στην αποκατάσταση αυτών των ελαττωμάτων ή την αντικατάσταση της συσκευής. Παρακαλούμε να προσέξετε πως οι συσκευές μας δεν προορίζονται για τη βιομηχανία, τη βιοτεχνία και την επαγγελματική χρήση. Για το λόγο αυτό δεν υφίσταται σύμβαση εγγύησης σε περίπτωση χρήσης της συσκευής στη βιομηχανία, βιοτεχνία, για επαγγελματικό ή άλλο παρόμοιο σκοπό. Από την εγγύησή μας αποκλείονται πέραν τούτου αποζημιώσεις για βλάβες μεταφοράς, βλάβες οφειλόμενες σε μη τήρηση της Οδηγίας συναρμολόγησης, ή σε εσφαλμένη εγκατάσταση, μη τήρηση της Οδηγίας χρήσης (π.χ. σύνδεση σε λάθος τάση δικτύου ή είδος ρεύματος), καταχρηστική ή όχι ορθή χρήση (π.χ. υπερφόρτωση ή χρήση μη εγκεκριμένων ανταλλακτικών εργαλείων ή εξαρτημάτων), μη τήρηση των Υποδείξεων συντήρησης και ασφαλείας, είσοδος ξένων αντικειμένων στη συσκευή (όπως π.χ. άμμος ή σκόνη), χρήση βίας ή εξωτερική επίδραση (όπως π.χ. βλάβες από πτώση) καθώς και βλάβες που οφείλονται σε κοινή φθορά. Αυτό ισχύει ιδιαίτερα για συσσωρευτές για τους οποίους παρ' όλα αυτά παρέχουμε εγγύηση 12 μηνών.

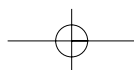
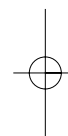
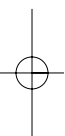
Η αξίωση εγγύησης εκπίπτει σε περίπτωση που έγιναν ήδη ξένες επεμβάσεις στη συσκευή.

3. Η διάρκεια της εγγύησης ανέρχεται σε 3 έτη και αρχίζει από την ημερομηνία αγοράς της συσκευής. Οι αξιώσεις εγγύησης πρέπει να κατισχυθούν πριν την πάροδο της προθεσμίας της εγγύησης εντός δύο εβδομάδων από την διαπίστωση του ελαττώματος. Αποκλείεται η κατίσχυση αξιώσεων εγγύησης μετά την πάροδο της προθεσμίας της εγγύησης. Η επισκευή ή η αντικατάσταση της συσκευής δεν συνεπάγεται ούτε την επέκταση της διάρκειας της εγγύησης ούτε την έναρξη νέας προθεσμίας εγγύησης για τη συσκευή ή τα ενδεχομένως τοποθετηθέντα εξαρτήματα. Το ίδιο ισχύει και σε περίπτωση σέρβις επί τόπου.
4. Για την κατίσχυση της αξίωσης της εγγύησης σας παρακαλούμε να μας αποστείλετε τη συσκευή, χωρίς επιβάρυνσή μας με ταχυδρομικά τέλη, στην πιο κάτω αναφερόμενη διεύθυνση. Μη ξεχάσετε να επισυνάψετε το πρωτότυπο της απόδειξης αγοράς ή άλλο ισχύον αποδεικτικό αγοράς. Για το λόγο αυτό σας παρακαλούμε να φυλάξετε καλά την απόδειξη του ταμείου! Παρακαλούμε επίσης να μας περιγράψετε την αιτία για την διαμαρτυρία σας όσο πιο αναλυτικά γίνεται. Εάν το ελάττωμα της συσκευής σας καλύπτεται από την εγγύησή μας, είτε θα σας επιστραφεί ταχύτατα η επισκευασμένη συσκευή σας, είτε θα λάβετε μία νέα συσκευή.

Φυσικά επισκευάζουμε ευχαρίστως έναντι αμοιβής και ελαττώματα στη συσκευή σας που δεν καλύπτονται ή δεν καλύπτονται πλέον από την εγγύηση. Για το σκοπό αυτό σας παρακαλούμε να αποστείλετε τη συσκευή σας στη διεύθυνση του τμήματος μας για Εξυπηρέτηση Πελατών.

**EINHELL Hellas A. E.**  
Lasithiou Str. 4  
14342 Nea Philadelphia  
Tel. 0210 2776871 · Fax 0210 2776871







IAN: 35326

**Einhell Germany AG**

Wiesenweg 22

D-94405 Landau/Isar

Last Information Update · Tilstand af information

Έκδοση των πληροφοριών: 06/2009

Ident.-No.: 22.551.21 062009 - 3

