



Einhell

BLUE

BG-DP 7835 Dirt water pump

Art.-No. 41.706.80

Powerful and robust dirt water pump to empty garden ponds, flooded basements and construction sites. It takes foreign particles up to $\varnothing 35$ mm in size. The pump is equipped with a float switch for automatic ON/OFF – operation for a varying water level. The complete housing is made of an impact resistant material (plastic). High quality standard at materials and constructional design, e. g. a stainless high-grade steel drive shaft warrants a maintenance-free operation and durable application.

Features

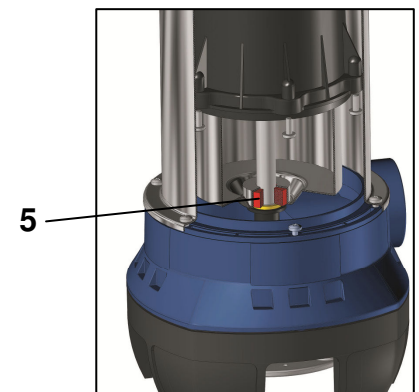
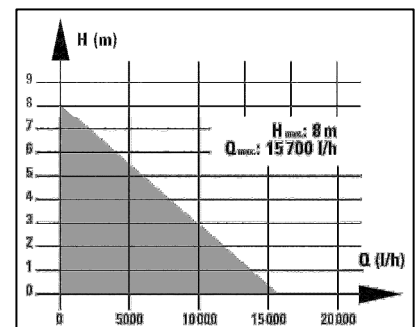
- Handle (1)
- Float switch (2)
- Universal connection for 25 mm (1") and 32 mm (1¼") male thread hose connection as well as G1 (ca. 33.3 mm) male thread
- 90 ° angel bracket with G1½ (ca. 47.8 mm) x G1½ (ca. 47.8 mm) male thread (3)
- Cable reel (4)
- High quality floating ring seal (5)

Technical Data

- Mains: 230 V ~ 50 Hz
- Power: 780 W
- Delivery capacity max.: 15,700 l/h
- Delivery height max.: 8 m
- Immersion depth: 8 m
- Water temperature: 35 °C
- Hose connection: G1½ (ca. 47.8 mm) female thread
- Foreign particle size up to: $\varnothing 35$ mm
- Mains cable: H05RN-F
- ON function: approx. 50 cm
- OFF function: approx. 5 cm
- Exhaust height: approx. 40 mm
- Net weight: 5.3 kg
- Gross weight: 5.7 kg
- Packing dimensions: 220 x 180 x 375 mm
- Bar code: 4006825556216
- Sales unit: 4 pcs



Performance data:



As special accessory available:

PVC-drainage hose 10 m/1"
Einhell Grey

Art.-No.: 41.737.14
Bar code: 4006825549249



Abbildungen können nicht im Serien-Lieferumfang enthaltenes Zubehör darstellen / Illustrations can contain accessories, which are not included in standard extent of delivery. Abbildungen ähnlich, produktionsbedingte Abweichung vorbehalten / Illustration similar (in design), production-wise modifications reserved.

File: \\aa-fas-2\office\shared-pool\Product-Dokumentation\T-Produktbeschreibung\30_n0t\Originale_Englisch_PA04\4170680_01018.doc

Erstelldatum/create date: 02.03.2009 12:01:00Aktualisiert/up dated: 30.08.2013