

# Catcher Assembly

## Freecall

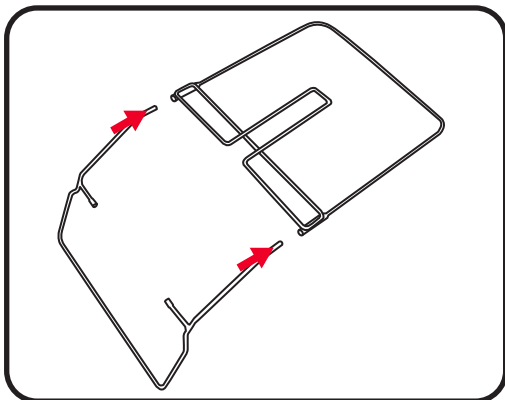
(Aus) 1800 069 486

(NZ) 0508 069 486

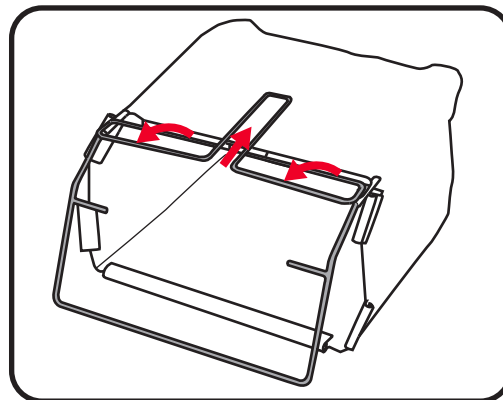
www.ozito.com.au



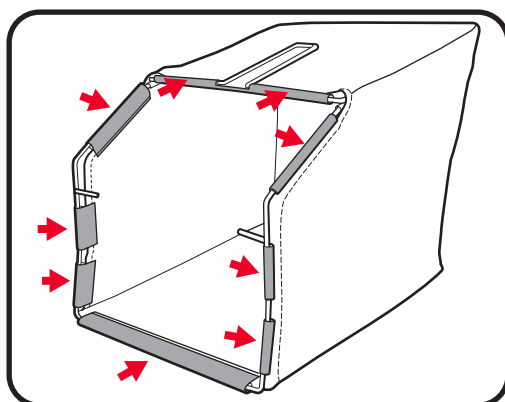
PXSCCB-0182



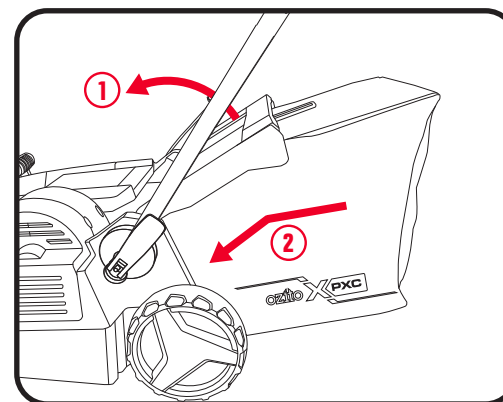
1. Push both metal frame parts into each other.



2. Pull the cloth catcher over the metal catcher frame.



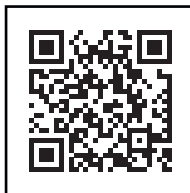
3. Pull the rubber clips over the metal catcher frame.



**WARNING!** ONLY FIT AND REMOVE THE GRASS CATCHER WHEN THE SCARIFIER IS SWITCHED OFF AND THE MOTOR HAS COME TO A STOP.

### ONLINE MANUAL

Scan this QR Code with your mobile device to take you to the online manual.



To fit the grass catcher on the scarifier you must lift the catcher flap on the rear of the scarifier with one hand and with the other hand take hold of the grass catcher handle and hook it onto the scarifier housing from above. Lower the catcher flap to hold the grass catcher in place. To empty the catcher, lift the catcher flap with one hand, while unhooking the catcher with the other.

### Tips for proper grass catcher use.

- The grass catcher will need emptying on a regular basis as it can fill up quickly. As soon as grass clippings start to trail the scarifier, it is time to empty the grass catcher.
- Long grass can cause the grass catcher to come away from the scarifier during operation, ensure before scarifying your lawn, the grass is cut; grass height **not more than 5cm**.
- The way of working with or without the grass catcher fitted is the same, therefore all safety instructions and notes on working practice should be followed as stated in the Scarifier Instruction Manual.
- Always empty the catcher before storing.