



GE-DP 7330 LL ECO
GE-DP 5220 LL ECO

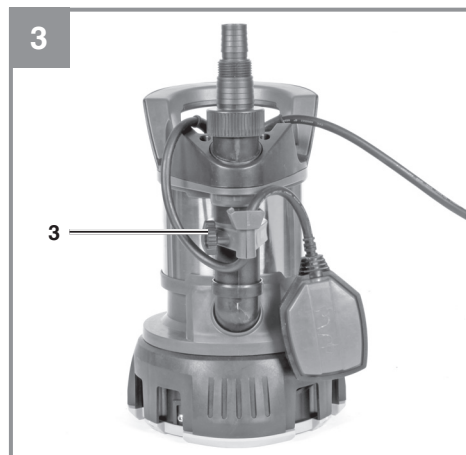
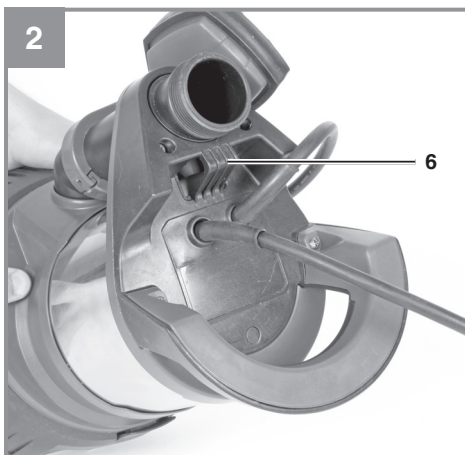
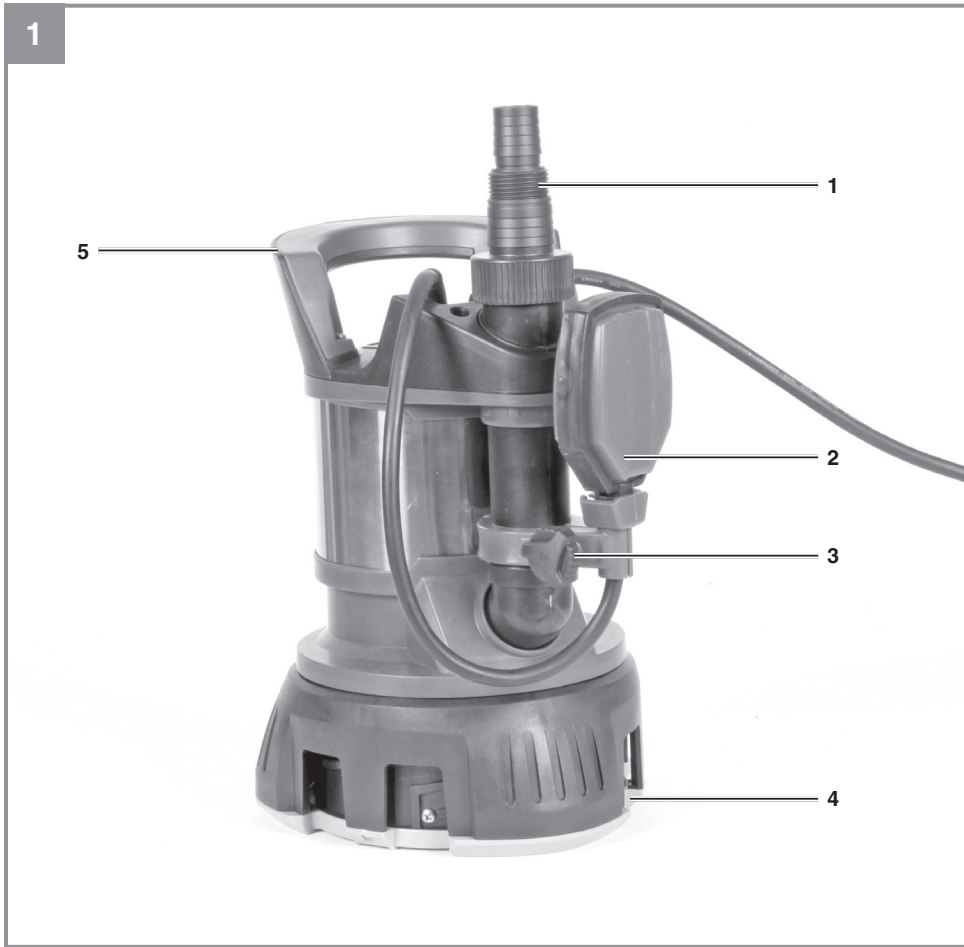
GB Original operating instructions
Dirty Water Pump

KOR 오/청수 겸용 다용도 수중 유체 펌프
- 사용설명서



품번: 41.707.94
품번: 41.707.83

고유번호: 21012
고유번호: 21012



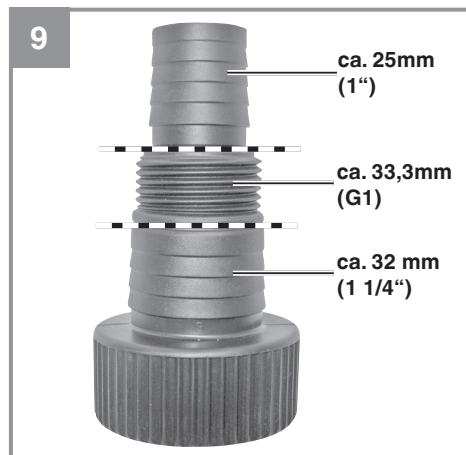
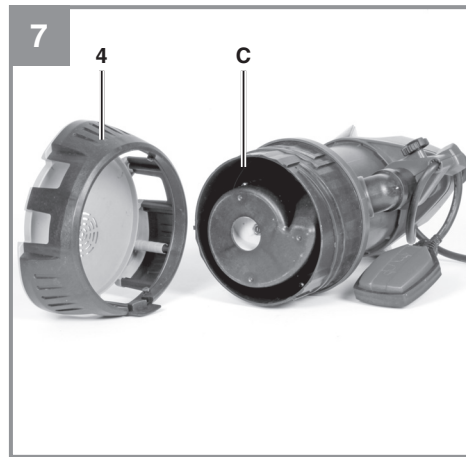
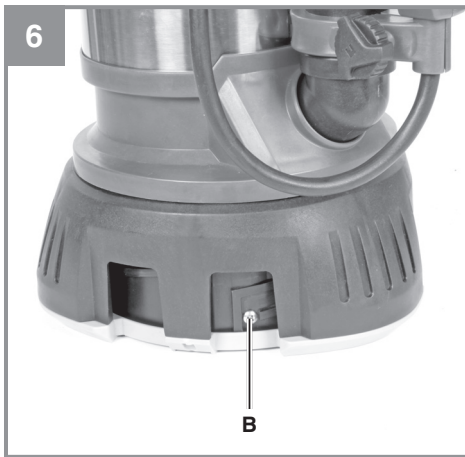
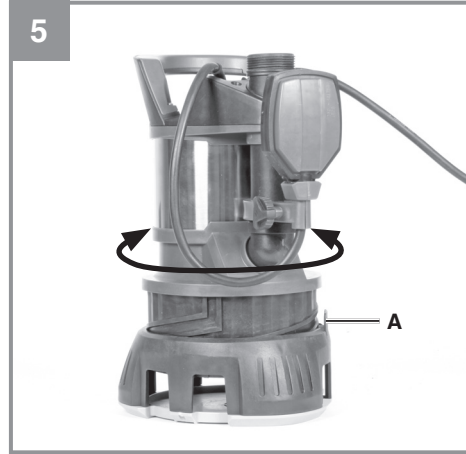


Table of contents

1. Safety regulations
2. Layout and items supplied
3. Proper use
4. Technical data
5. Before starting the equipment
6. Operation
7. Replacing the power cable
8. Cleaning, maintenance and ordering of spare parts
9. Disposal and recycling
10. Storage
11. Troubleshooting guide



Danger! - Read the operating instructions to reduce the risk of injury

This equipment can be used by children of 8 years and older and by people with limited physical, sensory or mental capacities or those with no experience and knowledge if they are supervised or have received instruction in how to use the equipment safely and understand the dangers which result from such use. Children are not allowed to play with the equipment. Unless supervised, children are not allowed to clean the equipment and carry out user-level maintenance work.

If the power cable for this equipment is damaged, it must be replaced by the manufacturer or its after-sales service or similarly trained personnel to avoid danger.

Danger!

When using the equipment, a few safety precautions must be observed to avoid injuries and damage. Please read the complete operating instructions and safety regulations with due care. Keep this manual in a safe place, so that the information is available at all times. If you give the equipment to any other person, hand over these operating instructions and safety regulations as well. We cannot accept any liability for damage or accidents which arise due to a failure to follow these instructions and the safety instructions.

1. Safety regulations**Danger!****Read all safety regulations and instructions.**

Any errors made in following the safety regulations and instructions may result in an electric shock, fire and/or serious injury.

Keep all safety regulations and instructions in a safe place for future use.

Danger!

The pump must be powered via an earth-leakage circuit breaker (RCD) with a rated fault current of no more than 30 mA (according to VDE 0100 Part 702 and 738).

The equipment is not designed for use in swimming pools and paddling pools of any kind or other bodies of water in which people or animals may be present during operation. It is prohibited to operate the equipment if a person or animal is in the danger area. Ask your electrician!

- Before you put the equipment into operation, arrange for a specialist to check that the earthing, protective multiple earthing or residual-current operated circuit-breaker circuit comply with the safety regu-

lations of the power supply company and work correctly.

- The electrical plug-in connections must be protected from wet conditions.
- If there is a risk of flooding, place the plug-in connections in an area which is safe from flooding.
- Strictly avoid pumping aggressive liquids and abrasive substances.
- Protect the equipment from frost.
- Protect the equipment from dry running.
- Take suitable measures to keep the equipment out of the reach of children.
- There is a risk of the liquid becoming contaminated by escaping lubricant.

2. Layout and items supplied**2.1 Layout (Fig. 1/2)**

1. Universal hose connection
2. Floating switch
3. Screw for height adjustment
4. Intake cage
5. Handle
6. Suspension eye

2.2 Items supplied

Please check that the article is complete as specified in the scope of delivery. If parts are missing, please contact our service center or the sales outlet where you made your purchase at the latest within 5 working days after purchasing the product and upon presentation of a valid bill of purchase. Also, refer to the warranty table in the service information at the end of the operating

instructions.

- Open the packaging and take out the equipment with care.
- Remove the packaging material and any packaging and/or transportation braces (if available).
- Check to see if all items are supplied.
- Inspect the equipment and accessories for transport damage.
- If possible, please keep the packaging until the end of the guarantee period.

Danger!

The equipment and packaging material are not toys. Do not let children play with plastic bags, foils or small parts. There is a danger of swallowing or suffocating!

- Dirty water pump
- Universal hose connection
- Original operating instructions

3. Proper use

The equipment you have purchased is designed to pump water with a maximum temperature of 35 °C. This equipment must never be used for other liquids, especially not for engine fuels, cleaning agents and other chemically-based products!

Before you use the pump, clarify any possible special conditions which need to be fulfilled for the installation!

For example, additional safety measures may be needed if damage to property could result from a power failure, soiling or a defective gasket.

Examples of such safety measures:

Pumps running in parallel on a separately protected power circuit, moisture sensors for switching off the pumps, and similar safety arrangements. Be sure to consult a professional plumber if you have any doubt.

The equipment can be used wherever you want to move water, e.g. in the house, in the garden, and for many other applications. It must not be used to operate swimming pools!

If you want to use the equipment in bodies of water with a natural, muddy bottom, place the equipment in a slightly elevated position, e.g. on bricks.

The equipment is not designed for continuous operation, e.g. as a circulating pump in a pond. In this case the equipment's anticipated life will be greatly shortened because the equipment was not designed for continuous loading.

The equipment is to be used only for its prescribed purpose. Any other use is deemed to be a case of misuse. The user / operator and not the manufacturer will be liable for any damage or injuries of any kind caused as a result of this.

Please note that our equipment has not been designed for use in commercial, trade or industrial applications. Our warranty will be voided if the machine is used in commercial, trade or industrial businesses or for equivalent purposes.

The water may be contaminated by escaping lubricating oil/lubricant.

4. Technical data

GE-DP 7330 LL ECO

Mains connection 220 V ~ 60 Hz
 Power consumption 730 W
 Max. pumping rate 16500 l/h
 Max. delivery head 8.5 m
 Max. immersion depth 7 m
 Max. water temperature 35°C
 Hose connection: .. approx. 47.8 mm (G 1½) AG
 Max. size of foreign bodies: Ø 30 mm
 Switching point height: ONmax. approx. 60 cm
 Switching point height: OFFmin. approx. 5 cm
 Suction height: min. 1 mm
 Protection IPX8

GE-DP 5220 LL ECO

Mains connection 220 V ~ 60 Hz
 Power consumption 520 W
 Max. pumping rate 13500 l/h
 Max. delivery head 7.5 m
 Max. immersion depth 7 m
 Max. water temperature 35°C
 Hose connection: .. approx. 47.8 mm (G 1½) AG
 Max. size of foreign bodies: Ø 20 mm
 Switching point height: ONmax. approx. 60 cm
 Switching point height: OFFmin. approx. 5 cm
 Suction height: min. 1 mm
 Protection IPX8

5. Before starting the equipment

Before you connect the equipment to the mains supply make sure that the data on the rating plate are identical to the mains data.

5.1 Installation

The equipment can be installed either:

- Stationary with a rigid pipe line or
- Stationary with a flexible hose line

The equipment must be fastened to the suspension eyelet with a rope (Fig. 2/Item 6).

The maximum pumping rate is possible only with the largest possible line diameter; if smaller hoses or pipes are connected, the pumping rate will be reduced. If the universal hose connection (Fig. 1/Item 1) is used, it should be shortened (as shown in Fig. 9) to the connection actually used in order not to reduce the pumping rate unnecessarily. Flexible hoses must be fastened to the universal hose connection with a hose clip (not included in the scope of supply).

Note!

When installing, never hang the equipment by the discharge line or by the power cable. The equipment must be hung up by the provided carry handle or suspension eyelet, or it must rest on the bottom of the shaft. To ensure that the equipment works properly, the bottom of the shaft always must be free of sludge and other accumulations of dirt. If the water level is too low, the sludge in the shaft can quickly dry out and hinder the equipment from starting. It is necessary therefore to check the equipment regularly (carry out trial start-ups).

The pump shaft should measure at least 50 x 50 x 50 cm so that the floating switch can move freely.

5.2 Mains connection

Danger!

The equipment you have purchased comes with an earthing-pin plug. The equipment is designed for connection to a socket outlet with earthing contact for 220 V ~ 60 Hz. Make sure that the socket-outlet is sufficiently fused (at least 6 A) and in good working order. Insert the power plug in the socket-outlet and the equipment is ready for operation.

6. Operation

You can put the equipment into operation after you have thoroughly read the installation and operating instructions. Pay attention to the following points:

- Make sure that the equipment is set up securely.
- Check that the discharge line is fitted correctly.
- Make sure that the electrical connection is 220 V ~ 60 Hz.
- Check that the electrical socket-outlet is in good working order.
- Make sure that no moisture or water can ever reach the power connection.
- Make sure that the equipment does not run dry.
- To switch off the equipment, pull the power plug out of the socket outlet.

Setting the On/Off switching point:

The ON/OFF switching point can be infinitely adjusted with the height adjustment facility. For this purpose you must first slacken the screw (Fig. 3, Item 3). The switching differential can be infinitely adjusted by extending or shortening the float cable (Fig. 3).

- The floating switch must be fitted so that the switching point height: ON and the switch point height: OFF can be reached easily and with little force. Check this by placing the equipment in a container filled with water and carefully raising and lowering the floating switch with your hand. You can then see whether the equipment switches on and off.
- Make sure that the distance between the floating switch head and the cable holder is not too smaller than 10 cm (Fig. 3). If the distance is too small, there is no guarantee that the equipment will work correctly.
- When adjusting the floating switch, make sure that the floating switch does not touch the bottom before the equipment is switched off. Important! Risk of dry running.

Manual operation:

Mount the floating switch as illustrated in Fig. 1. The equipment will then run continuously. To prevent dry running, this operating mode is allowed only under supervision. The equipment must be switched off (pull out the power plug) as soon as no more water is emitted from the discharge line.

Dirty water mode (Fig. 4/5):

- Turn the equipment counter-clockwise up as far as the stop (Fig. 4/5).

Shallow suction mode (Fig. 5):

- Turn the equipment clockwise down as far as the stop (Fig. 5).
- In shallow suction mode, water can be sucked up down to a level of 1 mm.
- Only clean water can be sucked up in shallow suction mode.

Please note:

For the equipment to suck up water in shallow suction mode there must be a minimum depth of 10 mm of water.

7. Replacing the power cable**Danger!**

If the power cable for this equipment is damaged, it must be replaced by the manufacturer or its after-sales service or similarly trained personnel to avoid danger.

8. Cleaning, maintenance and ordering of spare parts**Danger!**

Always pull out the mains power plug before starting any cleaning work.

8.1 Cleaning

- Keep all safety devices, air vents and the motor housing free of dirt and dust as far as possible. Wipe the equipment with a clean cloth or blow it with compressed air at low pressure.
- We recommend that you clean the device immediately each time you have finished using it.
- Clean the equipment regularly with a moist cloth and some soft soap. Do not use cleaning agents or solvents; these could attack the plastic parts of the equipment. Ensure that no water can seep into the device. The ingress of water into an electric tool increases the risk of an electric shock.

8.2 Cleaning the intake cage and pump housing (Fig. 5/6/7/8):

1. Screw out the three screws (Fig. 6/Item B) counter-clockwise.
2. Turn the equipment up as far as the stop (Fig. 5). Note the position of the lug (Fig. 5/Item A) and remove the intake cage (Fig. 7/Item 4).
3. Clean the intake cage (Fig. 7/Item 4) and the pump impeller housing (Fig. 7/Item C) with clean water.
4. Assemble in reverse order.
5. When assembled, the lug must be in the correct position (Fig. 8/Item A).

8.3 Maintenance

There are no parts inside the equipment which require additional maintenance.

8.4 Ordering replacement parts:

Please quote the following data when ordering replacement parts:

- Type of machine
- Article number of the machine
- Identification number of the machine
- Replacement part number of the part required

For our latest prices and information please go to www.Einhell-Service.com

9. Disposal and recycling

The equipment is supplied in packaging to prevent it from being damaged in transit. The raw materials in this packaging can be reused or recycled. The equipment and its accessories are made of various types of material, such as metal and plastic. Never place defective equipment in your household refuse. The equipment should be taken to a suitable collection center for proper disposal. If you do not know the whereabouts of such a collection point, you should ask in your local council offices.

10. Storage

Store the equipment and accessories in a dark and dry place at above freezing temperature. The ideal storage temperature is between 5 and 30 °C. Store the electric tool in its original packaging.

11. Troubleshooting guide

Faults	Cause	Remedy
The equipment does not start	<ul style="list-style-type: none"> - Power supply not connected - Floating switch does trigger 	<ul style="list-style-type: none"> - Check power supply - Raise position of floating switch
The equipment does not pump	<ul style="list-style-type: none"> - Intake sieve clogged - Discharge hose kinked 	<ul style="list-style-type: none"> - Clean intake sieve with water jet - Unkink the hose
The equipment does not cut out	<ul style="list-style-type: none"> - Floating switch cannot sink 	<ul style="list-style-type: none"> - Place equipment correctly on shaft bottom
Insufficient pumping rate	<ul style="list-style-type: none"> - Intake sieve clogged - Performance reduced due to heavily contaminated and abrasive water impurities 	<ul style="list-style-type: none"> - Clean intake sieve - Clean equipment and replace wear parts
The equipment switches off after briefly running	<ul style="list-style-type: none"> - Motor circuit-breaker switches the equipment off due to excessive water contamination - Water temperature too high; motor circuit-breaker switches the equipment off 	<ul style="list-style-type: none"> - Unplug power plug and clean equipment and shaft - Ensure that maximum permissible water temperature (35 °C) is not exceeded

Service information

We have competent service partners in all countries named on the guarantee certificate whose contact details can also be found on the guarantee certificate. These partners will help you with all service requests such as repairs, spare and wearing part orders or the purchase of consumables.

Please note that the following parts of this product are subject to normal or natural wear and that the following parts are therefore also required for use as consumables.

Category	Example
Wear parts*	Impeller
Consumables*	
Missing parts	

* Not necessarily included in the scope of delivery!

In the event of defects or faults, please register the problem on the internet at www.Einhell-Service.com. Please ensure that you provide a precise description of the problem and answer the following questions in all cases:

- Did the equipment work at all or was it defective from the beginning?
- Did you notice anything (symptom or defect) prior to the failure?
- What malfunction does the equipment have in your opinion (main symptom)?
Describe this malfunction.

Warranty certificate

Dear Customer,

All of our products undergo strict quality checks to ensure that they reach you in perfect condition. In the unlikely event that your device develops a fault, please contact our service department at the address shown on this guarantee card. You can also contact us by telephone using the service number shown. Please note the following terms under which guarantee claims can be made:

1. These guarantee terms apply to consumers only, i.e. natural persons intending to use this product neither for their commercial activities nor for any other self-employed activities. These warranty terms regulate additional warranty services, which the manufacturer mentioned below promises to buyers of its new products in addition to their statutory rights of guarantee. Your statutory guarantee claims are not affected by this guarantee. Our guarantee is free of charge to you.
2. The warranty services cover only defects due to material or manufacturing faults on a product which you have bought from the manufacturer mentioned below and are limited to either the rectification of said defects on the product or the replacement of the product, whichever we prefer.
Please note that our devices are not designed for use in commercial, trade or professional applications. A guarantee contract will not be created if the device has been used by commercial, trade or industrial business or has been exposed to similar stresses during the guarantee period.
3. The following are not covered by our guarantee:
 - Damage to the device caused by a failure to follow the assembly instructions or due to incorrect installation, a failure to follow the operating instructions (for example connecting it to an incorrect mains voltage or current type) or a failure to follow the maintenance and safety instructions or by exposing the device to abnormal environmental conditions or by lack of care and maintenance.
 - Damage to the device caused by abuse or incorrect use (for example overloading the device or the use of unapproved tools or accessories), ingress of foreign bodies into the device (such as sand, stones or dust, transport damage), the use of force or damage caused by external forces (for example by dropping it).
 - Damage to the device or parts of the device caused by normal or natural wear or tear or by normal use of the device.
4. The guarantee is valid for a period of 24 months starting from the purchase date of the device. Guarantee claims should be submitted before the end of the guarantee period within two weeks of the defect being noticed. No guarantee claims will be accepted after the end of the guarantee period. The original guarantee period remains applicable to the device even if repairs are carried out or parts are replaced. In such cases, the work performed or parts fitted will not result in an extension of the guarantee period, and no new guarantee will become active for the work performed or parts fitted. This also applies if an on-site service is used.
5. To make a claim under the guarantee, please register the defective device at: www.Einhell-Service.com. Please keep your bill of purchase or other proof of purchase for the new device. Devices that are returned without proof of purchase or without a rating plate shall not be covered by the guarantee, because appropriate identification will not be possible. If the defect is covered by our guarantee, then the item in question will either be repaired immediately and returned to you or we will send you a new replacement.

Of course, we are also happy offer a chargeable repair service for any defects which are not covered by the scope of this guarantee or for units which are no longer covered. To take advantage of this service, please send the device to our service address.

Also refer to the restrictions of this warranty concerning wear parts, consumables and missing parts as set out in the service information in these operating instructions.

목차

1. 안전 규정 / 취급 시 유의사항
2. 제품 구성 및 제공 품목
3. 사용 용도
4. 기술 지원 / 제품 사양
5. 사용 전 알아두어야 할 사항
6. 기기의 작동
7. 전원 케이블 교체
8. 세척/ 유지 보수 및 소모품 주문
9. 기기의 폐기 및 재활용
10. 기기의 보관
11. 기기 자가 진단 및 점검



주의! - 사용 전 설명서를 반드시 읽어주시기 바랍니다.

본 기기는 유아 및 어린이의 사용을 일체 금합니다. 또한 기기의 세척 및 유지 보수에 있어서도 어린이 및 유아의 취급은 금지됩니다. 제품에 대한 충분한 지식과 교육 및 안전 지침에 대한 교육을 받은 작업자에 의해 사용되어야 합니다. 본 기기는 신체적, 감각적 또는 정신적인 장애 또는 문제가 있거나 불충분한 지식 및 경험이 없는 사람에게 의해 사용되어서는 안됩니다.

본 기기의 전원 케이블 손상 시, 제조업체 및 고객 서비스 센터, 전문 AS 직영점에 의뢰, 방문하여 수리 및 교체하시기 바랍니다.

주의!

상해 또는 피해를 방지하기 위해 제품의 사용 시에는 반드시 취급 유의사항을 사전에 숙지해 주시기 바랍니다. 사용 설명서 및 취급 시 유의 사항을 필히 확인하시기 바랍니다.

본 책자는 항상 찾기 쉬운 장소에 보관하시기 바랍니다. 타인에게 본 기기를 양도할 경우에는 기기의 사용 설명서 및 취급 주의 사항을 반드시 전달해 주시기 바랍니다. 본 지시 사항을 따르지 않고 피해나 사고가 발생할 경우, 당사의 법적 책임은 없음을 알려드립니다.

1. 안전 규정 / 취급 시 유의사항**주의!****안전 규정 및 사용 설명서 필독!**

취급 시 유의사항 및 사용 설명서를 반드시 필독하시기 바랍니다. 조작 방법의 미숙지로 감전 또는 화재로 인하여 심각한 상해 및 피해를 입을 수 있습니다.

비상 시 참고를 위해, 안전 관리 규정 (취급 시 유의사항) 및 사용설명서를 항상 찾기 쉬운 잘 보이는 곳에 보관하시기 바랍니다.

주의!

본 기기는 정격 고장 전류값 30 mA 이하인 접지 누출 회로 차단기 (RCD)를 통해 작동 되어야 합니다. (VDE 0100 조항 702 및 738에 의거)

본 기기는 사람 또는 동물이 서식, 또는 출현하는 야외 물놀이 시설 또는 장소 - 수영장, 패들링 등 - 에서의 사용 및 작업을 금합니다. (출입 통제 시간 에 한해서 작업 가능)

- 기기의 작동 전, 전문가가 접지, 보호 다중 접지 또는 잔류 전류 작동 회로 차단기 회로가 전원 공급 회사의 안전 규정을 준수하고 올바르게 작동하는 지 점검할 수 있도록 준비합니다.
- 전자식 플러그-인 연결부는 항상 마른 건조하게 유지 되어야 합니다.
- 홍수 또는 범람 등의 위험 상황 발생 시, 플러그-인 연결부에 물이 닿지 않도록 안전한 곳에 놓아 주십시오.
- 끈끈한 액체, 강한 성질의 액체 또는 부식성 물질의 펌프 작업 에는 사용을 금합니다.
- 장비에 서리를 맞지 않도록 하십시오.
- 장비에 용수를 공급하여 건조 한 상태로 작동하지 않도록 관리하십시오.
- 기기로 부터 어린이들의 손이 닿지 않도록 적절한 조치를 취 하십시오.

- 윤활유가 새어 물이 오염되지 않도록 기기를 관리 하십시오.

2. 제품 구성 및 제공 품목**2.1 제품 구성 (그림 1/2)**

1. 범용 유니버설 호스 연결부
2. 플로팅 스위치 (부력식)
3. 높이 조절식 스크류
4. 인테이크 케이지
5. 손잡이
6. 서스펜션 감지 (인식) 장

2.2 제공 품목

제품 수령 후 박스를 개봉하여 구성품을 확인 하시기 바랍니다. 구성품이 빠져있을 경우, 구매일로부터 5영업일 이내에 아인헬 서비스 센터 또는 가까운 영업 판매점으로 연락하시기 바랍니다. 또한 사용 설명서의 마지막에 표시되어 있는 서비스 정보의 품질 보증 관련 사항을 참조하시기 바랍니다.

- 포장재를 제거하고 주의를 기울여 제품을 개봉합니다.
- 포장재와 포장, 배송용 자재를 제거하고 모든 구성품이 제대로 들어있는지 확인하십시오.
- 배송 중에 있어 제품과 액세서리에 이상이 있는지 확인하십시오.
- 가능하면 보증 유효기간 까지 포장재를 보관 하십시오.

주의!

본 제품 및 포장재는 어린이로부터 손이 닿지 않는 곳에 보관하시기 바랍니다.

플라스틱 가방, 호일 또는 부품을 삼키지 않도록 주의를 기울이시기 바랍니다.

질식 사고의 위험이 있습니다.

3. 사용 용도

본 기기는 최대 온도 35 °C 이하의 물 (용수)의 펌 프 작업에 사용할 수 있습니다. 본 기기는 다른 액 체, 특히 엔진 연료, 세정제 및 기타 화학 약품 및 물질 등의 작업에는 사용을 절대 금합니다. 기기의 사용 전, 설치를 위해 이행해야 하는 특수한 조

건에 대해 확실하게 따라 주십시오!

예를 들어, 정전 및 오염 또는 개스킷 결함으로 기

기가 손상될 수 있는 경우 추가적인 안전 조치가 필요합니다.

* 필요한 안전 조치의 예:

각각 보호된 전원 장치에서 기기의 작동, 펌프의

전원을 꺼지도록 하는 수분 센서, 유사한 안전 장치 이상이 있거나 의심이 가는 상황이 있을 경우, 전문 배관공과 협의하시기 바랍니다. 본 기기는 가정집, 정원 및 기타 장소의 용수 펌프 작업을 필요로 하는 모든 곳에서 사용이 가능합니다. 수영장이 운영되는 시간에 기기의 사용을 금합니다.
자연 그대로의 진흙 바닥의 수역에서 기기를 사용할 경우, 벽돌과 같은 물체 위 또는 약간 높은 물체 위에 기기를 위치해 주십시오.

본 기기는 연못의 순환 펌프와 같이 지속적인 작동을 위한 용도로는 적합하지 않습니다. 이와 같은 연속 작동의 경우, 기기의 수명이 크게 단축될 수 있습니다. 본 제품은 사용 설명서에 기재된 용도와 목적에 적합하게 사용되어야 합니다. 사용자 및 작업자, 제조사가 아닌 경우에 있어서 사용 용도가 아닌 다른 목적으로 사용하여 상해 및 사고가 발생할 경우 당사는 법적 책임을 지지 않습니다. 당사의 제품은 어떠한 상업적 용도, 상거래 및 산업적 목적의 용도로도 제작되지 않았습니다. 본 기기의 사용이 상업적 용도, 상거래 및 산업용 목적 또는 이와 유사한 형태의 거래로 이루어질 경우, 당사의 품질 보증이 무효화됨을 알려드립니다.
기기의 오일 또는 윤활유의 누유로 용수가 오염될 위험이 있습니다.

4. 기술 제원 / 제품 사양

GE-DP 7330 LL ECO / 오,청수 겸용 다용도 펌프

주 전압.....	220 V / 60 Hz
소비 전력.....	730 W
최대 양수량.....	16500 l/h
최대 압상고.....	8.5 m
최대 흡상고.....	7 m
최대 수온.....	35°C
호스 연결부 직경.....	약 47.8 mm (G 1½) AG
이물질 흡입 최대 직경.....	Ø 30 mm
기기 작동 (전원 켜짐) 수위.....	최대 약 60 cm
기기 꺼짐 (전원 꺼짐) 수위.....	최소 약 5 cm
흡입 수위.....	최소 1 mm
안전 보호 등급.....	PX8

GE-DP 5220 LL ECO

주 전압.....	220 V / 60 Hz
소비 전력.....	520 W
최대 양수량.....	13500 l/h
최대 압상고.....	7.5 m
최대 흡상고.....	7 m
최대 수온.....	35°C
호스 연결부 직경.....	약 47.8 mm (G 1½) AG
이물질 흡입 최대 직경.....	Ø 20 mm
기기 작동 (전원 켜짐) 수위.....	최대 약 60 cm
기기 꺼짐 (전원 꺼짐) 수위.....	최소 약 5 cm
흡입 수위.....	최소 1 mm
안전 보호 등급.....	PX8

5. 사용 전 알아두어야 할 사항

기기를 주전원 공급장치에 연결하기 전에 기기에 표시된 주전원 공급값과 일치하는 지 확인하시기 바랍니다.

5.1 기기의 설치

다음과 같이 설치 가능합니다:

- 단단한 파이프 라인으로 고정된 상태
- 구부러지는 플렉서블 호스 라인으로 고정된 상태

기기를 서스펜션 구멍에 고정해 주십시오. (그림 2/항목 6).

최대 펌프 작업 속도는 라인 직경이 큰 경우에만 가능합니다. 직경이 작은 호스 또는 파이프가 연결되어 있을 경우, 작업 속도가 감소합니다. 유니버설 범용 호스 연결부 (그림 1/항목 1)를 사용할 경우, 펌프 작업 속도가 불필요하게 감소되지 않도록 실제 작업 시 사용에 필요한 연결부 길이 (그림 9 참조)로 조정해 주십시오.

알림!

기기의 설치 시, 다음과 같이 기기를 거치하지 마십시오. 배출구 연결부 케이블 또는 전원 케이블에 기기를 매달지 마십시오. 기기는 이동식 운반용 손잡이 또는 서스펜션 아일릿 (구멍)에 매달아 놓거나 샤프트 바닥에 거치해 주십시오. 기기의 올바른 작동을 위해 샤프트 바닥에 이물질 또는 기타 오물이 없도록 해주십시오. 수위가 너무 낮을 경우, 샤프트의 이물질이 빠르게 건조되어 시동이 걸리지 않을 수 있습니다. 따라서 기기를 정기적으로 점검해야 합니다. (시운전 작동 필요)

펌프 샤프트는 최소 50 x 50 x 50 cm 으로 세팅하여 플로팅 (부력식) 스위치가 자유롭게 움직일 수 있도록 해야 합니다.

5.2 주요부 연결 위험!

본 기기는 접지 핀 플러그가 함께 제공됩니다. 본 기기는 220 V ~ 60 Hz의 접지점점이 있는 콘센트에 연결해서 사용하십시오. 콘센트가 충분히 접합되어 있고 (6A 이상) 정상적으로 작동하는지 확인하십시오. 콘센트에 전원 플러그를 꽂으면 기기가 작동할 준비가 되었습니다.

6. 기기의 작동

설치 및 작동 지침을 모두 숙지한 후 기기를 작동해 주십시오. 다음 사항에 유의하십시오.

- 기기가 안전하게 설치되었는지 점검해 주십시오.
- 배출구 라인이 올바르게 장착되었는지 확인하십시오.
- 주전원 220 V / 60 Hz 확인하십시오.
- 전기 콘센트가 정상적으로 작동하는지 확인하십시오.
- 습기 혹은 물이 전원 연결부에 닿지 않도록 하십시오.
- 기기가 물이 공급되지 않는 상태에서의 건식 작동이 되지 않도록 주의 하십시오.
- 기기의 전원을 끄기 위해 전원 플러그를 콘센트에서 빼내십시오.

기기 전원 켜짐/꺼짐 전환 지점:

기기의 전원 On/Off 전환점은 높이 조절 기능을 사용하여 무한대로 설정할 수 있습니다. 이를 위해서 먼저 나사를 풀어 주십시오. (그림 3, 항목 3). 전환 차등 제어장치는 부력식 플로트 케이블을 연장 또는 단축하여 무한대로 조절할 수 있습니다. (그림 3)

- 부력식 스위치는 전환점 높이에 위치해야 합니다: 전원 켜짐 (On) 및 전환점 높이: 전원 꺼짐 (Off)은 약간의 힘을 주면 쉽게 전환됩니다. 물이 채워진 용기에 기기를 위치시키고 손으로 부력식 플로팅 스위치를 조심스럽게 올리거나 내리는 방식으로 점검하십시오. 다음 전원이 켜지거나 꺼지는 지 확인할 수 있습니다.
- 부력식 플로팅 스위치 헤드와 케이블 홀더 사이의 거리가 10cm 미만인지 확인하십시오. (그림 3). 간격이 너무 좁을 경우, 기기가 제대로 작동하지 않을 수 있습니다.
- 부력식 플로팅 스위치를 조절할 경우, 기기의 전원을 끄기 전에 플로팅 스위치가 바닥 표면에 닿지 않도록 주의하십시오.
중요! 건식 작동의 위험.

수동 작동 시:

그림 1과 같이 부력식 플로팅 스위치를 장착하십시오. 기기가 계속 작동합니다. 건식 작동을 방지하기 위해 기기 작동의 경우 기기를 계속 확인해 주십시오. 배출구 라인으로부터 물 공급이 중단될 때 기기의 전원을 꺼주십시오. (전원 플러그 제거)

오수 펌프 작동 시 (그림 4/5):

- 기기 일부분을 고정시킨 상태로 윗부분 본체를 반 시계 방향으로 끝까지 회전시켜 돌려주십시오. (그림 4/5).

흡입 펌프 모드 (Fig. 5):

- 기기 일부분을 고정시킨 상태로 윗부분 본체를 시계 방향으로 끝까지 회전시켜 돌려주십시오. (그림 5)
- 흡입 펌프 모드 작동 시, 수위 1 mm 까지 용수를 흡입할 수 있습니다.
- 흡입 펌프 모드 작동 시에는 청수로 펌프 작업이 가능합니다.

알림:

흡입 펌프 모드 시, 기기는 최소 수위 10 mm 깊이가 되어야만 작동합니다.

7. 전원 케이블 교체

주의!

기기의 전원 코드가 훼손 또는 손상되었을 경우, 제조사 또는 지정 서비스 센터 및 아인헬 수리 교육을 받은 기사를 통해 교체 서비스를 받아야 합니다.

8. 세척/ 유지 보수 및 소모품 주문

주의!

기기의 세척 작업 전에 반드시 기기 전원 플러그를 주 전원 소켓에서 뽑아주십시오.

8.1 기기의 세척

- 공기 유입구, 모터 하우징 및 모든 안전 장치는 불순물 및 먼지로부터 안전한 곳에 보관하십시오. 깨끗한 천으로 장비를 세척 하거나 저압의 압축 공기로 기기를 세척 하십시오.
- 정기적으로 물기가 있는 젖은 수건에 부드러운 비눗물로 장비를 세척하십시오. 세척 시 플라스틱 재질 부품의 보호를 위해 세정제 혹은 화학 약품 솔벤트를 사용하지 마십시오. 기기에 물의 유입이 되지 않도록 관리해 주십시오. 감전의 위험이 있습니다.

8.2 흡입 케이지 및 펌프 하우징 세척

(그림 5/6/7/8):

1. 3개의 나사를 반시계 방향으로 돌려서 빼주십시오. (그림 6/항목 B)
2. 기기를 멈출 때 까지 회전시켜 돌려주십시오. (그림 5). 밀판(바닥면)의 위치 (그림 5/항목 4)를 표시하고 흡입 케이지 (그림 7/항목 4)를 제거합니다.
3. 흡입 케이지 (그림 7/ 항목 4)와 펌프 압축기 하우징 (그림 7/항목 C)을 깨끗한 물로 세척하십시오.
4. 역순으로 조립하십시오.
5. 조립된 상태의 경우, 밀판 (바닥면)은 올바른 위치에 있어야만 합니다. (그림 8/항목 A).

8.3 기기의 유지 보수

본 기기는 추가적인 유지 보수가 필요하지 않습니다.

8.4 소모품 및 부품의 주문:

소모품 및 교체품 주문 시, 하기 사항을 표기해 주십시오.

- 기기 명칭 / 종류
- 기기 품번
- 소모품 / 교체품 품번

최신 가격표 및 상세 정보는

leecho94@naver.com 으로 문의하시기 바랍니다

9. 기기의 폐기 및 재활용

운송 중 기기의 파손을 방지하기 위해 포장된 상태로 배송됩니다. 포장재를 포함한 모든 포장 재료는 재사용 및 재활용이 가능합니다.

기기와 액세서리는 금속 및 플라스틱과 같은 다양한 재료로 만들어 집니다. 고장난 기기를 가정에서 일반 쓰레기로 폐기하지 마십시오. 반드시 폐기물 종류에 맞도록 분리하여 처리하십시오.

10. 기기의 보관

서늘하고 어둡고 건조한 곳, 어린이 손이 닿지 않는 곳에 기기와 액세서리를 보관하십시오. 보관 장소의 최적 온도는 영상 5~30°C 입니다.

11. 기기 자가 진단 및 점검

오류	발생 원인	해결 방안
기기 작동 불능	- 전원의 연결 단락 - 플로팅 스위치 작동	- 전원 연결 상태 확인 - 플로팅 스위치의 상향 위치
펌프 작동 불능	- 유입구의 막힘 현상 - 배출구 호스 꼬임 현상	- 유입구를 고압의 물로 세척 - 호스의 꼬리 해제
기기 고장이 아닐 경우	- 플로팅 스위치가 잠기지 않을 때	- 샤프트 바닥에 기기를 위치
펌프 양수량 부족	- 유입구의 막힘 현상 - 심한 오염과 내마모성 이물질, 불순물로 인한 성능 저하	- 유입구 세척 - 기기의 세척 및 소모품 교환
잠시 작동 후 전원이 꺼짐	- 심각한 수질 오염으로 기기의 모터 회로 차단기가 작동, 스위치를 내림 - 고온의 수온. 모터 회로 차단기가 기기의 전원 스위치를 내림	- 전원 플러그를 제거, 기기 및 샤프트 세척 - 최대 허용 수온 (35°C) 초과 금지

서비스 문의

품질 보증서에 명시된 바와 같이 여러 국가에 공식 인증 서비스 센터가 위치하고 있으며, 연락처 세부 정보를 확인할 수 있습니다. 이러한 서비스 파트너는 수리, 부속품 및 교체품 주문 또는 소모품 구매와 같은 모든 종류의 서비스 요청을 처리합니다.

본 기기의 하기 명시된 부속품은 기본 소모품 또는 자연적 소모품으로 대체품의 용도로 사용됩니다.

구분	예시
소모품	압축기
일반 소모품	
분실한 부품	

본 기기의 하자 또는 결함이 발견될 경우, 이메일 주소 leecho94@naver.com 으로 문의하시기 바랍니다. 제품의 상태 및 문제점에 대해 상세히 기술하시고 하기 사항에 답변해 주시기 바랍니다.

- 기기가 처음부터 제대로 작동했는지 여부, 결함이 있었는지 여부
- 기기가 작동하지 않기 전에 증상 또는 결함이 있었는지 확인 여부
- 기기의 오작동 증상은 무엇인지, 고장 및 상태에 대해 기술

품질 보증서

고객님께,

당사의 모든 제품은 엄격한 품질 검사를 거쳐 완벽한 상태로 고객에게 전달됩니다.

기기에 고장 또는 결함이 발생한 경우, 보증서에 명시된 주소의 당사 서비스 부서로 문의하십시오. 보증서에 표기된 서비스 번호로 유선상으로도 문의가 가능합니다. 품질 보증에 의한 처리가 가능한 세부 명시는 하기를 참조하시기 바랍니다.

1. 본 보증은 소비자에게만 적용됩니다. 즉, 본 기기를 상업적 용도 또는 기타 자영업 목적의 용도로 사용하지 않는 일반 구매자에게 적용됩니다. 이 보증 조항은 추가 보증 서비스를 규제하며, 하기에 명시된 제조업자는 법적 보증의 권리 외에도 새로운 제품의 구매자에게 적용됩니다. 귀하의 법적 보증 클레임 청구의 경우, 본 보증서의 영향을 받지 않게 되며, 본 보증은 무료입니다.
 2. 보증 서비스는 하기에 언급된 바와 같이 제조업체로부터 구매한 제품의 자재 또는 제조상 결함으로 인한 불량건만을 대상으로 하며, 제품 결함 또는 하자에 대한 수리 또는 교환으로 제한됩니다. 당사의 기기는 상업용, 상거래용 및 전문적 용도의 목적으로 제작되지 않았습니다. 상업적인 용도, 상거래 및 산업적인 목적의 용도로 기기를 사용했을 경우나 보증 기간 동안 비슷한 조건에 노출되었을 경우 보증 계약이 성립되지 않습니다.
 3. 다음 사항은 당사의 품질 보증 조건에 포함되지 않습니다.
 - 조립 지침을 따르지 않았거나 잘못된 조립으로 하여 기기가 고장 또는 손상된 경우, 작동 지침을 따르지 않은 경우 (예: 주 전원 연결이 잘못된 경우) 또는 유지 보수 및 취급 설명서, 안전 지침을 따르지 않은 경우, 장비의 잘못된 보관으로 외부에 노출되거나 유지 보수가 올바르게 이행되지 않은 경우
 - 기기의 과부하 또는 잘못된 사용 (예: 기기 또는 사용/ 승인되지 않은 공구 또는 액세서리 과부하), 기기에 이물질 유입 (예: 모래, 돌, 흙, 먼지, 배송 중 손상)으로 인한 기기 손상, 외부 환경에 의한 기기 손상 (예: 제품의 낙하)
 - 일반적인 마모 또는 정상적 장비 사용으로 인한 부품, 소모품의 마모
 4. 품질 보증 청구는 기기 구매일로부터 12개월 동안 유효합니다. 보증인 청구는 제품의 하자, 또는 결함이 발견된 후 2주 이내에 보증 기간이 종료되기 전에 제출/처리되어야 합니다. 보증 기간 종료 후에는 품질 보증 청구가 불가합니다. 기기의 수리 또는 부품 교체 처리가 될 경우에도 보증 기간은 유효기간 내에 본 기기에 계속적으로 적용됩니다. 이 경우, 기기의 수리 또는 부품의 교체로 하여 보증 기간에 영향을 미치지 않으며 그대로 유지됩니다. 또한 현장에서 실시간 서비스를 받게 되는 경우에도 동일하게 적용됩니다.
 5. 보증 처리 청구 신청의 경우, 하자 또는 결함이 있는 기기가 구입처에 등록되어 있어야 하며, 제품에 대한 구매 영수증 또는 구매에 대한 증빙 서류가 필요합니다. 구매 증빙 서류가 없거나 제품 표기가 없는 기기는 제품 자체의 확인 여부가 불분명하기 때문에 보증 대상에서 제외됩니다. 제품의 결함이 당사의 보증 범위 내에 해당되는 경우, 해당 기기는 즉시 수리되어 배송되거나 새 제품으로 교환 처리 됩니다. 또한, 보증에서 포함되지 않는 경우의 제품 결함 또는 하자에 대해서도 당사의 서비스 센터를 통해 유선 상으로 A/S 받으실 수 있습니다. 본 서비스 이용의 경우 당사 서비스 센터로 연락하십시오. 본 사용설명서/ 취급 시 유의사항에 명시된 일반 부품 및 소모품, 분실된 부품에 대해서 보증서의 상세 설명을 참조하시기 바랍니다. 소모품의 경우, 해당 결함 및 하자 사항에 대한 내용을 명시된 이메일 주소로 구매일 기준으로 해당 기한 내에 접수된 경우에 한해 보장 처리 및 보상이 가능합니다.
 - 일반 소모품의 경우: 구매일로부터 24시간 이내
 - 미 배송 부품: 구매일로부터 제 5 영업일 이내
 - 부품의 마모: 구매일로부터 6개월 이내
- * 반드시 구매 일자 및 청구서가 함께 동봉되어야 합니다.

#A/S 및 고객상담: 031-836-6303 / 판매자 (수입처) 이조무역 / 경기도 양주시 백석읍 부흥로 1114





EH 04/2022 (01)

