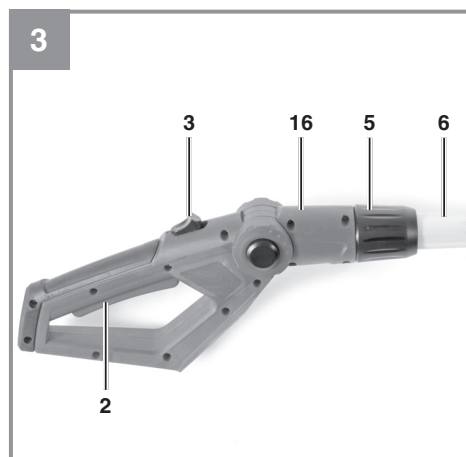
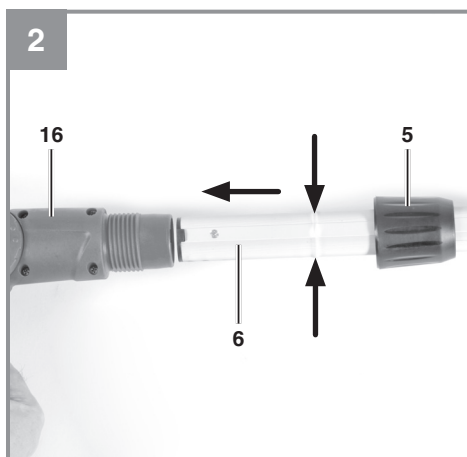
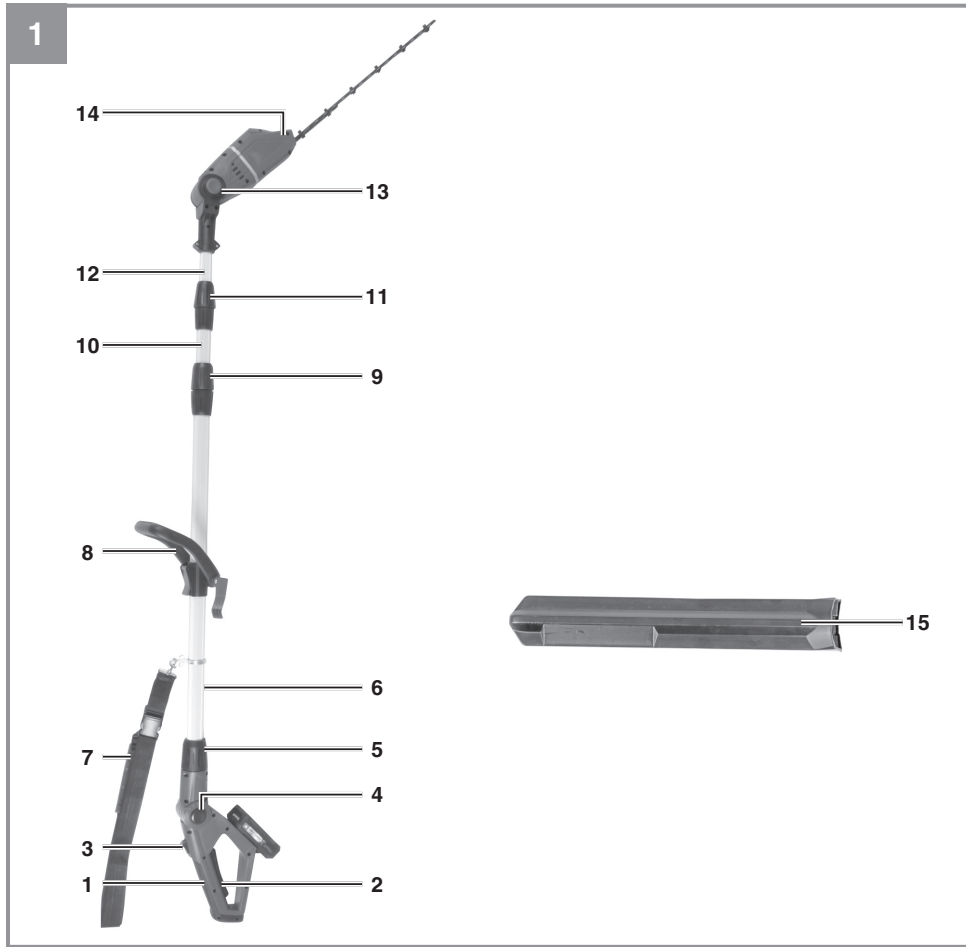


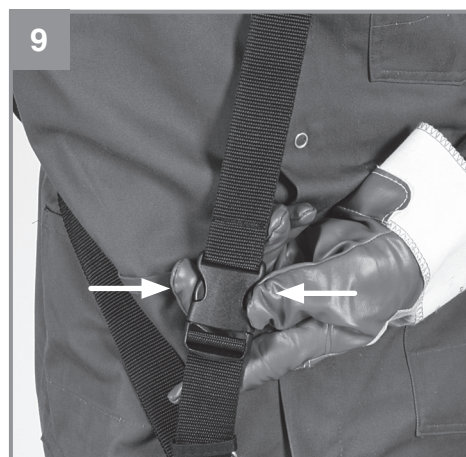
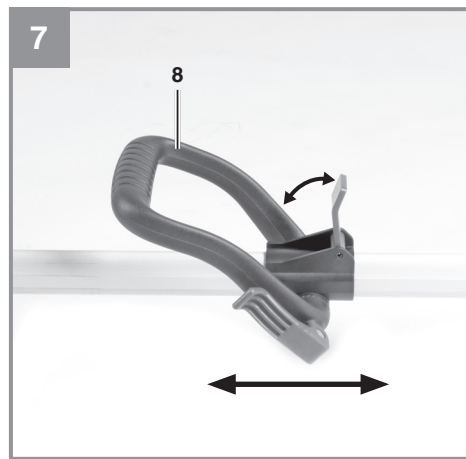
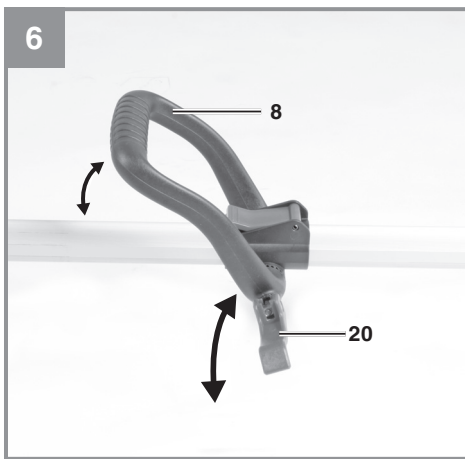
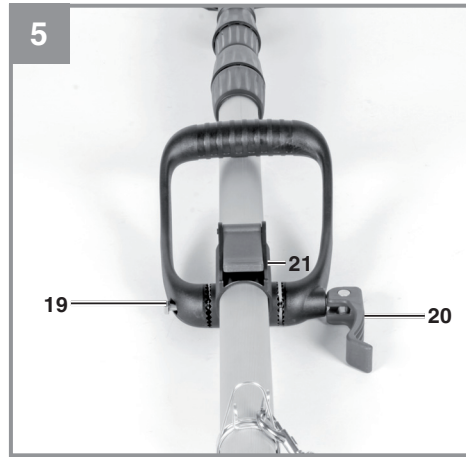
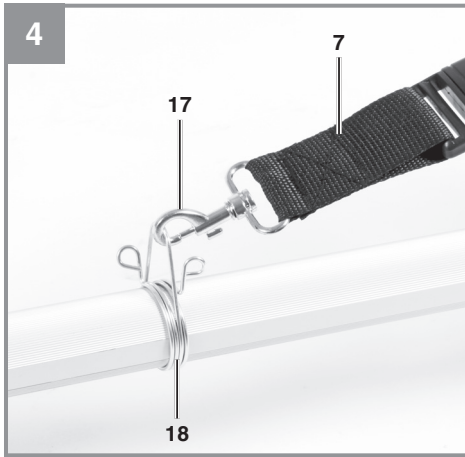
- EN** Original operating instructions  
Cordless Telescoping Pole Hedge  
Trimmer
- SP** Manual de instrucciones original  
Bordeadora de arbustos  
inalámbrica de altura
- FR** Traduction du mode d'emploi  
d'origine  
Taille-haie à manche télescopique  
sans cordon

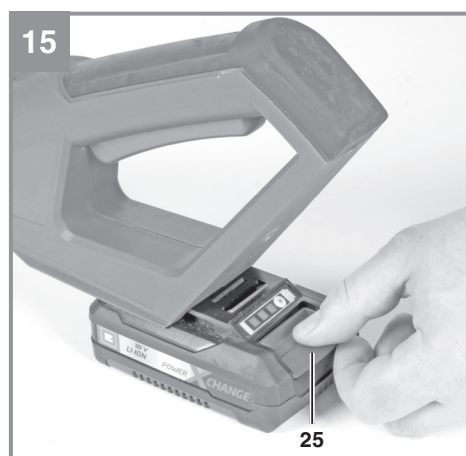
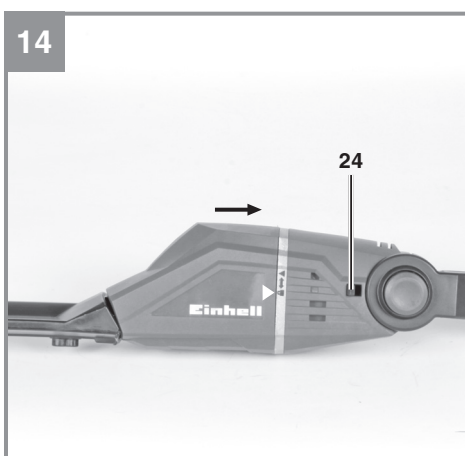
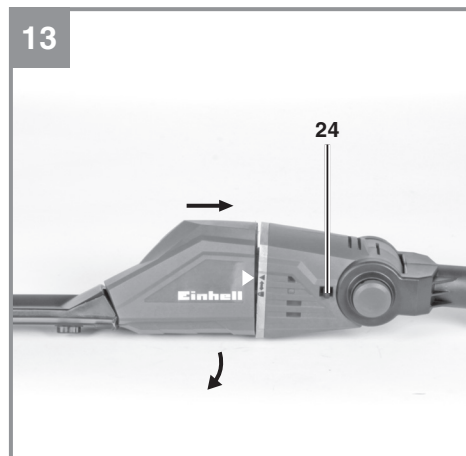
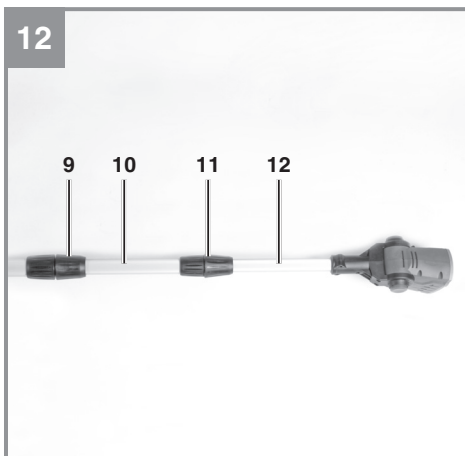
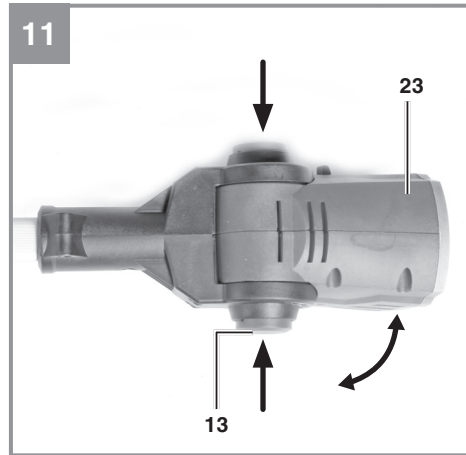
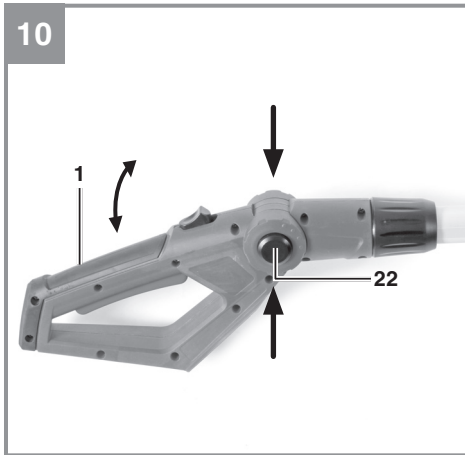


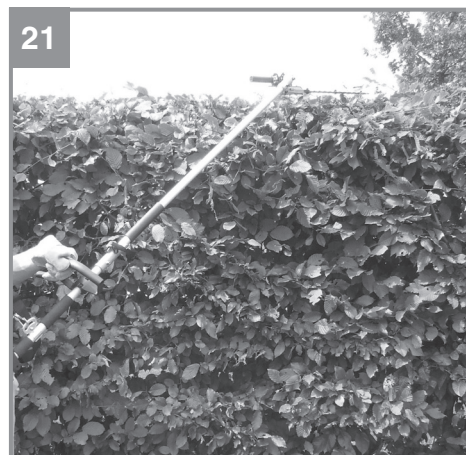
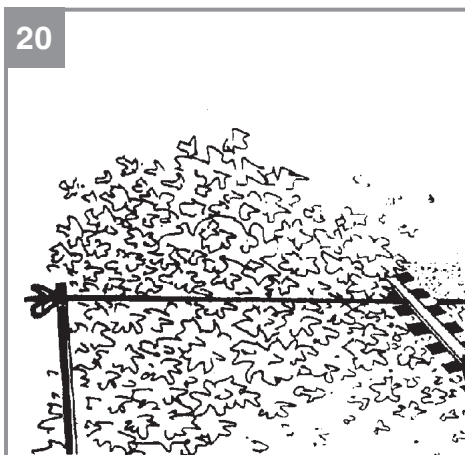
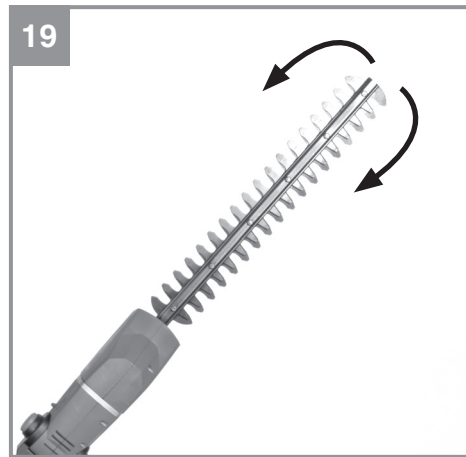
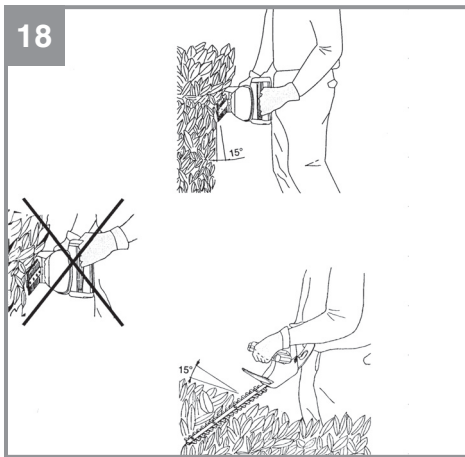
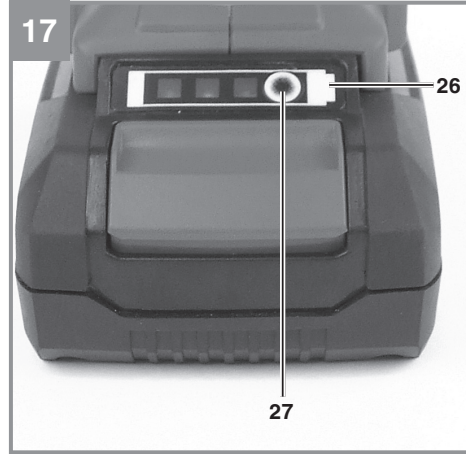
**Art.-Nr.: 3410790**

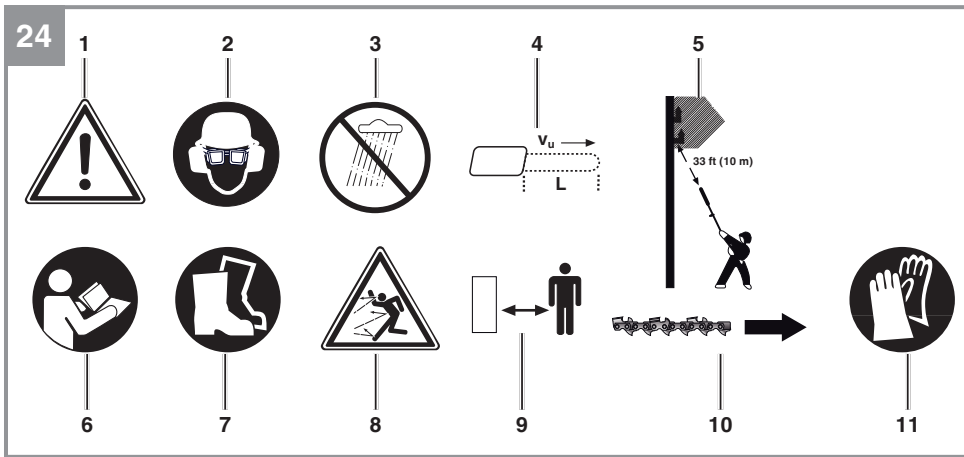
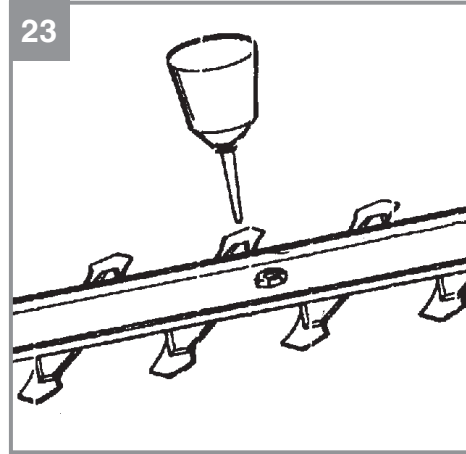
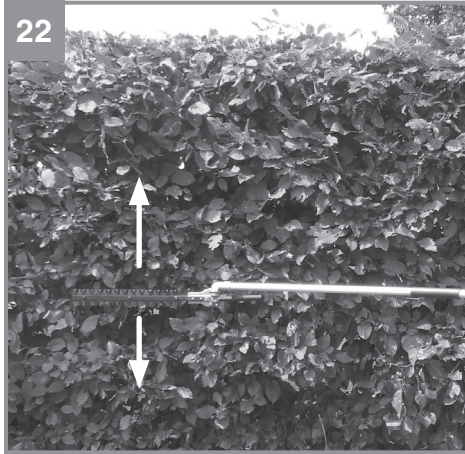
**I.-Nr.: 21011**











**Table of contents**

1. Safety information
2. Layout and items supplied
3. Intended use
4. Technical data
5. Before starting the equipment
6. Operation
7. Working with the hedge trimmer mounting kit
8. Cleaning, maintenance and ordering spare parts
9. Disposal and recycling
10. Storage
11. Troubleshooting guide



**DANGER!**

When using the equipment, a number of safety precautions must be observed to avoid injuries and damage. Please read the complete operating instructions and safety information with due care. Keep these operating instructions in a safe place so that the information is available at all times. If you give the equipment to any other person, hand over these operating instructions and the safety information as well. We cannot accept any liability for damage or accidents which arise due to failure to follow these instructions and the safety information.

## 1. Safety information

**DANGER!**

**Read all the safety information and instructions.** Failure to adhere to the safety information and instructions set out below may result in electric shock, fire and/or serious injury. **Keep all the safety information and instructions in a safe place for future use.**

### General safety information for power tools

The term „power tool“ used in the safety regulations refers to power tools operated from the mains power supply (with a power cable) and to battery operated power tools (without a power cable).

#### 1) Work area safety

- a) **Keep work area clean and well lit.** *Cluttered and dark areas invite accidents.*
- b) **Do not operate power tools in explosive atmospheres, such as in the presence of flammable liquids, gases or dust.** *Power tools create sparks which may ignite the dust or fumes.*
- c) **Keep children and bystanders away while operating a power tool.** *Distractions can cause you to lose control.*

#### 2) Electrical safety

- a) **Power tool plugs must match the outlet. Never modify the plug in any way. Do not use any adapter plugs with earthed (grounded) power tools.** *Unmodified plugs and matching outlets will reduce risk of electric shock.*
- b) **Avoid body contact with earthed or grounded surfaces such as pipes, radiators, ranges and refrigerators.** *There*

*is an increased risk of electric shock if your body is earthed or grounded.*

- c) **Do not expose power tools to rain or wet conditions.** *Water entering a power tool will increase the risk of electric shock.*
  - d) **Do not abuse the cord. Never use the cord for carrying, pulling or unplugging the power tool. Keep cord away from heat, oil, sharp edges or moving parts.** *Damaged or entangled cords increase the risk of electric shock.*
  - e) **When operating a power tool outdoors, use an extension cord suitable for outdoor use.** *Use of a cord suitable for outdoor use reduces the risk of electric shock.*
  - f) **If operating a power tools in a damp location is unavoidable, use a residual current device (RCD) protected supply.** *Use of an RCD reduces the risk of electric shock. NOTE The term “residual current device (RCD)” may be replaced by the term “ground fault circuit interrupter (GFCI)” or “earth leakage circuit breaker (ELCB)”.*
- ### 3) Personal safety
- a) **Stay alert, watch what you are doing and use common sense when operating a power tool. Do not use a power tool while you are tired or under the influence of drugs, alcohol or medication.** *A moment of inattention while operating power tools may result in serious personal injury.*
  - b) **Use personal protective equipment. Always wear eye protection.** *Protective equipment such as dust mask, non-skid safety shoes, hard hat, or hearing protection used for appropriate conditions will reduce personal injuries.*
  - c) **Prevent unintentional starting. Ensure the switch is in the off-position before connecting to power source and/or BATTERY pack, picking up or carrying the tool.** *Carrying power tools with your finger on the switch or energising power tools that have the switch on invites accidents.*
  - d) **Remove any adjusting key or wrench before turning the power tool on.** *A wrench or a key left attached to a rotating part of the power tool may result in personal injury.*
  - e) **Do not overreach. Keep proper footing and balance at all times.** *This enables better control of the power tool in unexpected situations.*
  - f) **Dress properly. Do not wear loose**



- clothing or jewellery. Keep your hair, clothing and gloves away from moving parts. Loose clothes, jewellery or long hair can be caught in moving parts.
- g) **If devices are provided for the connection of dust extraction and collection facilities, ensure these are connected and properly used.** Use of these devices can reduce dust related hazards.
- 4) Power tool use and care**
- a) **Do not force the power tool. Use the correct power tool for your application.**  
*The correct power tool will do the job better and safer at the rate for which it was designed.*
- b) **Do not use the power tool if the switch does not turn it on and off.** Any power tool that cannot be controlled with the switch is dangerous and must be repaired.
- c) **Disconnect the plug from the power source and/or remove the battery pack, if detachable, from the power tool before making any adjustments, changing accessories, or storing power tools.** Such preventive safety measures reduce the risk of starting the power tool accidentally.
- d) **Store idle power tools out of the reach of children and do not allow persons unfamiliar with the power tool or these instructions to operate the power tool.**  
*Power tools are dangerous in the hands of untrained users.*
- e) **Maintain power tools and accessories. Check for misalignment or binding of moving parts, breakage of parts and any other condition that may affect the power tool's operation. If damaged, have the power tool repaired before use.** Many accidents are caused by poorly maintained power tools.
- f) **Keep cutting tools sharp and clean.**  
*Properly maintained cutting tools with sharp cutting edges are less likely to bind and are easier to control.*
- g) **Use the power tool, accessories and tool bits etc., in accordance with these instructions and in the manner intended for the particular type of power tool, taking into account the working conditions and the work to be performed.**  
*Use of the power tool for operations different from intended could result in a hazardous situation.*
- 5) Battery tool use and care**
- a) **Recharge only with the charger specified by the manufacturer.** A charger that is suitable for one type of battery pack may create a risk of fire when used with another battery pack.
- b) **Use power tools only with specifically designated battery packs.** Use of any other battery packs may create a risk of injury and fire.
- c) **When battery pack is not in use, keep it away from other metal objects, like paper clips, coins, keys, nails, screws or other small metal objects that can make a connection from one terminal to another.** Shorting the battery terminals together may cause burns or a fire.
- d) **Under abusive conditions, liquid may be ejected from the battery; avoid contact. If contact accidentally occurs, flush with water. If liquid contacts eyes, additionally seek medical help.** Liquid ejected from the battery may cause irritation or burns.
- 6) Service**
- a) **Have your power tool serviced by a qualified repair person using only identical replacement parts.** This will ensure that the safety of the power tool is maintained.
- 1.) FOR ALL BATTERY-OPERATED GARDENING APPLIANCES:**
- Do not charge appliance in rain, or in wet locations.
  - Do not use battery-operated appliances in the rain. Always remove or disconnect battery pack before adjusting, cleaning, servicing or transporting the garden appliances.
- 2.) FOR ALL BATTERY-OPERATED PRODUCTS EMPLOYING A DETACHABLE OR SEPARABLE BATTERY:**
- Use only the following type and size battery:
    - 18V 1.5Ah P-X-C lithium-ion battery
    - 18V 2.0Ah P-X-C lithium-ion battery
    - 18V 2.5Ah P-X-C lithium-ion battery
    - 18V 3.0Ah P-X-C lithium-ion battery
    - 18V 4.0Ah P-X-C lithium-ion battery
    - 18V 5.2Ah P-X-C Plus lithium-ion battery
    - 18V 4.0Ah/6.0Ah P-X-C Plus lithium-ion battery
  - Do not dispose of the battery in a fire. The cell may explode. Check with local codes for

- possible special disposal instructions.
  - Do not open or mutilate the battery. Released electrolyte is corrosive and may cause damage to the eyes or skin. It may be toxic if swallowed.
  - Exercise care in handling the battery in order not to short it with conducting materials such as rings, bracelets, and keys. The battery or conductor may overheat and cause burns.
- 3.) AVOID UNINTENTIONAL STARTING – DO NOT INSERT BATTERY WHILE YOUR FINGER IS ON THE SWITCH. BE SURE SWITCH IS OFF WHEN INSERTING THE BATTERY. ADDITIONAL SAFETY RULES FOR GRASS AND EDGE TRIMMERS**
- Keep guards in place and in good working order.
  - Keep hands and feet away from cutting area.
  - Do not use heavier lines than those recommended in this manual.
  - Do not use line materials of other types – for example, metal wire, rope, and the like.
- GENERAL SAFETY WARNINGS FOR THE BATTERY PACK**
- Dispose of used battery promptly and properly. When disposing of secondary cells or batteries, keep cells or batteries of different electrochemical systems separate from each other.
  - Keep battery out of reach of children and in original package until ready to use.
  - Never put batteries in one's mouth. If swallowed, contact local poison control centre immediately.
  - CAUTION** – The battery used in this device may present a risk of fire or chemical burn if mishandled. Replace battery with Einhell/lawn master brand only. Use of another battery may present a risk of fire or explosion.
  - WARNING:** Do not use a visibly damaged battery pack or appliance.
  - WARNING:** Do not modify or attempt to repair the appliance or the battery pack.
  - BATTERIES MUST BE RECYCLED.**
  - Do not short-circuit a cell or battery. Do not store cells or batteries haphazardly in a box or drawer where they may shortcircuit each other or be short-circuited by conductive materials.
  - Do not subject cells or batteries to mechanical shocks.
  - Keep cells and batteries clean and dry. Wipe the cell or battery terminals with a clean dry cloth if they become dirty.
  - Do not maintain secondary cells and batteries on charge when not in use.
  - Retain the original cell and battery. Do not use any charger other than that specifically provided for use with the equipment. Secondary cells and batteries need to be charged before use. Always use the correct charger and refer to the manufacturer's instructions or equipment manual for proper charging instructions.
  - When possible, remove the battery from the equipment when not in use.
  - Prevent unintentional starting. Ensure the switch is in the off-position before connecting to the battery pack, picking up or carrying the appliance. Carrying the appliance with your finger on the switch or energizing appliances that have the switch on invites accidents.
  - Disconnect the battery pack from the appliance before making any adjustments, changing accessories, or storing appliance. Such preventive safety measures reduce the risk of starting the appliance accidentally.
  - Under abusive conditions, liquid may be ejected from the battery; avoid contact. If contact accidentally occurs, flush with water. If liquid contacts eyes, additionally seek medical help. Liquid ejected from the battery may cause irritation or burns.
  - Have servicing performed by a qualified repair person using only identical replacement parts. This will ensure that the safety of the product is maintained.
  - Protect your rechargeable battery against moisture, rain and high humidity.** Moisture, rain and high humidity can cause dangerous cell damage. Never charge or work with batteries which have been exposed to moisture, rain or high humidity – replace them immediately.
  - If your equipment is fitted with a detachable battery, remove the battery for safety reasons after you have finished your work
- IMPORTANT SAFETY INSTRUCTIONS FOR CHARGER**
- WARNING:** This product may contain lead, phthalate or other chemicals known to the State of California to cause cancer, birth defects and other reproductive harm. Please wash your hands after use.

### Safety instructions for extended-reach hedge trimmers

#### Extended-reach hedge trimmer safety warnings:

- **Do not use the extended-reach hedge trimmer in bad weather conditions, especially when there is a risk of lightning.** This decreases the risk of being struck by lightning.
- **To reduce the risk of electrocution, never use near any electrical power lines.** Contact with or use near power lines may cause serious injury or electric shock resulting in death. NOTE: For the above safety warning, alternative language may be used to satisfy local requirements.
- **Always use two hands when operating the extended-reach hedge trimmer.** Hold the extended-reach hedge trimmer with both hands to avoid loss of control.
- **Always use head protection when operating the extended-reach hedge trimmer overhead.** Falling debris can result in serious personal injury.

**WARNING – Only use with handle and guard properly assembled to hedge trimmer. The use of the hedge trimmer without the proper guard or handle provided may result in serious personal injury.**

#### Additional safety information

- **Before you start trimming hedges, check the hedge for hidden objects, such as wire fences.**
- **Hold the hedge trimmer correctly with both hands.**
- **Always ensure that all handles and guards are fitted before using the power tool .**
- **Do not attempt to use an incomplete machine or one that is provided with an unauthorized change.**
- **Before cleaning the hedge trimmer, turn off the tool and remove battery pack.**
- **Check blades whether damage regularly, if damaged, repaired immediately.**
- **Never allow children to use the power tool.**
- **Insert the blade to the blade cover, make sure that the blade is not exposed after use.**
- **Do not use the tool at bad weather conditions, especially not use at thunderstorms.**

### Explanation of the symbols on the equipment (Fig. 24):

1. Warning!
2. Wear protective headgear, goggles and ear muffs.
3. Protect the equipment from rain and damp.
5. Electric shock can cause fatal injury. Keep a distance of at least 33 ft (10 m) from power cables.
6. Read the directions for use before operating the equipment.
7. Wear sturdy, non-slip footwear.
8. Watch out for falling and catapulting parts.
9. Keep your distance.
11. Wear safety gloves.

### SAVE THESE INSTRUCTIONS

## 2. Layout and items supplied

### 2.1 Layout

1. Grip
2. On/Off switch
3. Safety lock-off
4. Safety lock-off for the handle angle adjuster
5. Assembly nut
6. Tube
7. Shoulder strap with safety release
8. Additional handle
9. Telescoping tube 1 lock nut
10. Telescoping tube 1
11. Telescoping tube 2 lock nut
12. Telescoping tube 2 with motor housing
13. Safety lock-off for the motor housing angle adjuster
14. Hedge trimmer mounting kit
15. Guard for hedge cutter blade
16. Handle housing
17. Carabiner
18. Strap attachment with metal loops
19. Hexagon screw
20. Lock
21. Handle attachment
22. Safety lock-offs
23. Motor housing
24. Lock button
25. Pushlock button
26. Battery capacity indicator
27. Battery capacity indicator button

## 2.2 Items supplied

Please check that the article is complete as specified in the scope of delivery. If parts are missing, please contact our service center or the store where you made your purchase at the latest within 5 work days after purchasing the article and upon presentation of a valid bill of purchase.

- Open the packaging and take out the equipment with care.
- Remove the packaging material and any packaging and/or transportation braces (if present).
- Check to see if all the items are supplied.
- Inspect the equipment and accessories for transport damage.
- If possible, keep the packaging until the end of the guarantee period.

### Danger!

**The equipment and packaging material are not toys. Do not let children play with plastic bags, plastic sheets and small parts. There is a risk of choking and suffocating!**

- Complete handle
- Complete tube with motor unit
- Shoulder strap with safety release
- Hedge trimmer mounting kit
- Guard for hedge cutter blade
- Original operating instruction with safety information

### Separately available accessories

18V 1.5Ah P-X-C lithium-ion battery  
 18V 2.0Ah P-X-C lithium-ion battery  
 18V 2.5Ah P-X-C lithium-ion battery  
 18V 3.0Ah P-X-C lithium-ion battery  
 18V 4.0Ah P-X-C lithium-ion battery  
 18V 5.2Ah P-X-C Plus lithium-ion battery  
 18V 4.0Ah/6.0Ah P-X-C Plus lithium-ion battery  
 18V P-X-C Dual Port Fast Charger  
 18V P-X-C Fast Charger

Explore battery + charger options at [einhellUSA.com](http://einhellUSA.com)

## 3. Intended use


### Hedge trimmer

The hedge trimmer mounting kit is allowed to be used only on the supplied motor head. Caution! This hedge trimmer is suitable for cutting hedges, bushes and shrubs. Caution! Do not use this equipment to cut grass.

The equipment is allowed to be used only for its prescribed purpose. Any other use is deemed to be a case of misuse. The user/operator and not the manufacturer will be liable for any damage or injuries of any kind resulting from such misuse.

Please note that our equipment has not been designed for use in commercial, trade or industrial applications. Our warranty will be voided if the equipment is used in commercial, trade or industrial businesses or for equivalent purposes.

## 4. Technical data

Motor power supply: ..... 18 V   
 Cutting speed: ..... 1700 cut strokes/min  
 Blade length: ..... 17.7 in. (45 cm)  
 Cutting length: ..... 15.7 in. (40 cm)  
 Cutting diameter max.: ..... 0.51 in. (13 mm)  
 Telescoping pole: 6.9 ft to 10 ft (2.10 m to 3.04 m)  
 Multi-angle head: .... -60°, -40°, -20°, 0°, 20°, 40°, 60°  
 Multi-angle main handle: ..... -40°, -20°, 0°, 20°  
 Weight (Tool only): ..... 9.5 lbs (4.3 kg)

### Reduce noise generation and vibration to a minimum!

- Use only equipment that is in perfect condition.
- Maintain and clean the equipment regularly.
- Adapt your way of working to the equipment.
- Do not overload the equipment.
- Have the equipment checked if necessary.
- Switch off the equipment when not in use.
- Wear gloves.

## 5. Before starting the equipment

**Caution!** Do not fit the battery until the equipment has been fully assembled and all the settings have been actuated. Always wear protective gloves when working on the equipment to protect yourself against injury. Carefully unpack all parts and check that they are complete (Fig. 1).

### 5.1 General information on assembly

- Fig. 2-3: Push the tube (6) onto the handle housing (16) as far as the mark and screw it tight with the assembly nut (5).
- Fig. 4: Hook the carabiner (17) of the shoulder strap (7) into the strap attachment (18).
- Fig. 5: The additional handle (8) consists of the hexagon screw (19) and lock (20). It is fitted to the handle attachment (21) as illustrated. Push the hexagon screw (19) into the additional handle and screw it tight to the lock (20).

### 5.2 Adjusting the additional handle (Fig. 6-7)

- Setting the tilt of the additional handle**  
Open the lock (20). Set the desired tilt of the additional handle (8). Close the lock (20).
- Shifting the additional handle**  
Open the lock and slide the additional handle (8) into the required position. Close the lock.

### 5.3 Using the shoulder strap

**Warning!** Always use the shoulder strap when working with the equipment. Switch off the equipment before you take off the shoulder strap (Otherwise there is a risk of injury.)

- Hook the carabiner (Fig. 4/Item 17) into the strap attachment (18).
- Slip the shoulder strap (Fig. 8/Item 7) over your shoulder.
- Adjust the length of the shoulder strap so that the strap attachment is at waist level (Fig. 8).
- The shoulder strap is equipped with a buckle. Press the hooks together (Fig. 9) if you need to put down the equipment quickly.
- To change the strap position on the equipment, press together the two metal loops on the strap attachment (Fig. 4/Item 18) and adjust the strap attachment on the tube.

### 5.4. Adjusting the angle of the handle (Fig. 10)

Press the two safety lock-offs (22) and adjust the angle of the handle (1) to any of 4 latching positions.

### 5.5. Adjusting the angle of the motor housing (Fig. 11)

Press the two safety lock-offs (22) and adjust the angle of the motor housing (23) to any of 7 latching positions.

### 5.6 Adjusting the telescoping tube (Fig. 12)

- Undo the telescoping tube lock nuts (9 + 11) by turning them counter-clockwise.
- Pull out the telescoping tubes (10 + 12) to suit the required working height.
- Secure the telescoping tube lock nuts (9 + 11) by them turning clockwise.

### 5.7 Fitting the hedge trimmer mounting kit to the motor head (Fig. 13 – 14)

The guard must be slipped over the hedge cutter blade in order to prevent injuries.

- Position the hedge trimmer mounting kit and the motor head such that the arrows on both parts coincide.
- Press the hedge trimmer mounting kit against the motor head. This will cause the lock button (24) to be pushed to the right. Turn the hedge trimmer mounting kit clockwise. The hedge trimmer mounting kit will lock onto the motor head and is then secured in place. This will cause the lock button (24) to be pushed to the left.

### 5.8 Removing the hedge trimmer mounting kit from the motor head (Fig. 13 – 14)

The guard must be slipped over the hedge cutter blade in order to prevent injuries.

- Pull the lock button (24) to the right.
- Turn the hedge trimmer mounting kit to the point where the arrows on the motor head and hedge trimmer mounting kit coincide, allowing the mounting kit to be removed.

### 5.9 Fitting the battery (Fig. 15 - 16)

Press the side pushlock button (25) of the battery pack as shown in Fig. 15 and push the battery pack into the mount provided. When the battery pack is positioned as in Fig. 16, make sure that the pushlock button latches in place! To remove the battery pack, proceed in reverse order.

## 6. Operation

Please note that the statutory regulations governing noise abatement may differ from one location to another.

**Caution!** Always use the shoulder strap when working with the equipment. Always switch off the equipment before you take off the shoulder strap. (Otherwise there is a risk of injury.)

Put on the shoulder strap as described above, fit the required mounting kit and adjust the equipment to suit your needs.

### Switching on/off

#### Switching on

- Hold the equipment by the handles with both hands (thumbs under the additional handle).
- Slide the safety lock-off (Fig. 3/Item 3) to the front and hold.
- Switch on the equipment with the On/Off switch (Fig. 3/Item 2). You can then release the safety lock-off.

#### Switching off

Release the On/Off switch (Fig. 3/Item 2).

### 6.1 Charging the Li battery pack

The corresponding instructions can be found in the original operating instructions for your charger.

### 6.2 Battery capacity indicator (Fig. 17 / item 26)

Press the battery capacity indicator switch (27). The battery capacity indicator (26) shows the charge status of the battery using 3 LEDs.

#### All 3 LEDs lit:

The battery is fully charged.

#### 2 or 1 LED(s) lit:

The battery has an adequate remaining charge.

#### 1 LED flashing:

The battery is empty, recharge the battery.

#### All LEDs flashing:

The battery pack has been deep-discharged and is defective. Do not re-use or charge a defective battery pack.

## 7. Working with the hedge trimmer mounting kit

- Check that the cutters work properly. The twin-bladed cutters rotate in opposite directions, thus guaranteeing high cutting performance and smooth operation.
- Take care to maintain a steady foothold and hold the equipment firmly in both hands away from your body. Before you switch on, make sure that the equipment is not touching any objects.

### Work practice

- A hedge trimmer can be used to cut shrubs and bushes as well as hedges.
- To obtain the best cutting results, hold the hedge trimmer so that the cutter teeth are at an angle of approx. 15° in relation to the hedge (see Fig. 18).
- The twin-bladed cutters rotate in opposite directions, thus enabling cutting in both directions (see Fig. 19).
- It is recommended to tie a guide line of string or the like along the hedge so that you cut the hedge to a level height. Cut off all branches which protrude beyond the guide line (see Fig. 20/21).
- Cut the sides of the hedge with curve-shaped movements from the bottom up (see Fig. 22).

## 8. Cleaning, maintenance and ordering spare parts

### HAZARD!

Remove the battery pack before doing any cleaning and maintenance work.

### 8.1 Cleaning

- Regularly clean the tensioning mechanism by blowing it out with compressed air or cleaning it with a brush. Do not use any tools for cleaning.
- Keep the handles free of oil so that you can maintain a firm grip.
- Never immerse the equipment in water or other liquids in order to clean it.
- Use a brush to remove deposits from the safety guards.
- Keep all safety devices, air vents and the motor housing free of dirt and dust as far as possible. Wipe the equipment with a clean cloth or blow it down with compressed air at

- low pressure.
- We recommend cleaning the equipment immediately each time after use.
- Clean the equipment regularly with a damp cloth and some soft soap. Do not use cleaning agents or solvents; these may be aggressive to the plastic parts in the equipment. Ensure that no water can get into the interior of the equipment. The ingress of water into an electric power tool increases the risk of an electric shock.

### 8.2 Maintenance

The cutters should be cleaned and lubricated at regular intervals in order to ensure best performance at all times. Remove deposits with a brush and apply a thin film of oil (Fig. 23).

### 8.3 Ordering replacement parts:

#### Service

1. **If your power tool requires service, contact an authorized Einhell USA dealer or call the Einhell USA customer service center at 1-866-EINHELL (1-866-346-4355).** Only identical replacement parts should be utilized for repairs. This will ensure that the safety of the power tool is maintained.
2. **If the battery charger cable is damaged, it must be immediately replaced to avoid a hazard.** Contact the Einhell USA® customer service center at 1-866-EINHELL (1-866-346-4355) for assistance.

**To ensure that any defective/damaged lithium-ion batteries are properly packaged and delivered when you send them to us, please contact our customer service or the point of sale at which the equipment was purchased.**

**When shipping or disposing of batteries and cordless tools, always ensure that they are packed individually in plastic bags to prevent short circuits and fires.**

## 9. Disposal and recycling

The equipment is supplied in packaging to prevent it from being damaged in transit. The raw materials in this packaging can be reused or recycled. The equipment and its accessories are made of various types of material, such as metal and plastic. Never place defective equipment in your household refuse. The equipment should be taken to a suitable collection center for proper disposal. If you do not know the whereabouts of such a collection point, you should ask in your local council offices.

## 10. Storage

Store the equipment and its accessories out of children's reach in a dark and dry place at above freezing temperature. The ideal storage temperature is between 41°F and 86°F (5°C and 30°C). Keep the electric tool in its original packaging.

The reprinting or reproduction by any other means, in whole or in part, of documentation and papers accompanying the products is strictly subject to the express consent of Einhell Germany AG.

Subject to technical changes



## 11. Troubleshooting guide

### Danger!

Before troubleshooting, switch off the equipment and remove the battery.

The table below contains a list of fault symptoms and explains what you can do to remedy the problem if your equipment fails to work properly. If the problem still persists after working through the list, please contact your nearest service workshop.

Problem	Possible cause	Remedy
The equipment does not work	<ul style="list-style-type: none"> <li>- Battery empty</li> <li>- Battery is not correctly inserted</li> </ul>	<ul style="list-style-type: none"> <li>- Charge battery</li> <li>- Remove battery and insert again</li> </ul>
Equipment operates intermittently	<ul style="list-style-type: none"> <li>- Loose connection (external)</li> <li>- Loose connection (internal)</li> <li>- ON/OFF switch defective</li> </ul>	<ul style="list-style-type: none"> <li>- Consult a specialist workshop.</li> <li>- Consult a specialist workshop.</li> <li>- Consult a specialist workshop.</li> </ul>

If the equipment will not work in spite of the troubleshooting measures and the voltage supply being OK, please contact customer service (see section 8.3).



## EINHELL CUSTOMER PROMISE

**QUALITY COMES FIRST.** The Einhell name is synonymous with high-performance tools and high-quality European craftsmanship. From cordless screwdrivers to electric lawn mowers, Einhell USA designs and develops state-of-the-art handheld power and garden tools for DIY enthusiasts, hobby gardeners, and handymen.

Einhell USA's quality assurance and engineering teams ensure products are subjected to stringent quality and performance tests. We know that sometimes tough tools go through tough times. In the event that you should experience any issue with your product, you have our commitment that we'll do everything we can to get you back a tool that's ready to work as hard as you do.

### PRODUCT REGISTRATION:

Einhell strongly encourages you to register your purchase. You can register online at **EinhellUSA.com**. Failure to register your product purchase will not diminish your warranty rights. However, registering your purchase will allow Einhell to better serve you with any of your customer service needs.

### WHAT IS COVERED?

Einhell warrants to the owner that if this Machine fails within 2 years from the date of purchase due to a defect in material or workmanship or as a result of normal wear and tear from ordinary household use, Einhell will send a replacement part or product, as needed, free of charge and with free shipping to the original purchaser. If, in Einhell's sole discretion, the failed Machine cannot be repaired with a part, Einhell will elect to either (A) send a new Machine at no charge and with free shipping or (B) refund the full purchase price to the owner.

### WHO CAN SEEK WARRANTY COVERAGE?

This Warranty is extended by Einhell to the owner of this Machine (a "Machine" consists of a product powered by a motor) for residential and personal household use only. This warranty is limited to thirty (30) days from the start of original purchase of any EINHELL brand product that is used for commercial purposes, or any other income-producing purpose. Should ownership of this machine change during the coverage period, please update the Machine's owner information at **EinhellUSA.com**

### WHAT IS NOT COVERED?

This warranty does not cover any product that has been subject to misuse, neglect, negligence, or accident, or that has been operated in any way contrary to the operating instructions as specified in the operator's manual. This Warranty does not cover cosmetic changes that do not affect performance.

This Warranty is only valid if the Machine is used and maintained in accordance with the instructions, warnings and safeguards contained in the owner's manual. Einhell will not be responsible for the cost of any unauthorized warranty repairs. This warranty does not cover any cost or expense incurred by the purchaser in providing substitute equipment or service during reasonable periods of malfunction or non-use of this product while waiting for a replacement part or unit under this warranty.

Wearing parts like belts, augers, chains and tines are not covered under this warranty, and can be purchased at **EinhellUSA.com** or by calling **1-866-EINHELL (1-866-346-4355)**. Batteries are covered in full for 90-days from the date of purchase.

Repair, replacement or refund of the purchase price are the exclusive remedies of purchaser and the sole liability of Einhell under this warranty. No employee or representative of Einhell is authorized to make any additional warranty or any modification to this warranty which may be binding upon Einhell. Accordingly, purchaser should not rely upon any additional statements made by any employee or representative of Einhell. In no event, whether based on contract, indemnity, warranty, tort (including negligence), strict liability or otherwise, shall Einhell be liable for any special, indirect, incidental, or consequential damages, including, without limitation, loss of profit or revenue.

Some states do not allow limits on warranties. In such states, the above limitations may not apply to you.

Outside the USA and Canada, other warranties may apply.

## Índice de contenidos

1. Instrucciones de seguridad
2. Descripción del aparato y volumen de entrega
3. Uso adecuado
4. Características técnicas
5. Antes de la puesta en marcha
6. Manejo
7. Cómo trabajar con el juego de montaje para la bordeadora de arbustos
8. Mantenimiento, limpieza y pedido de piezas de repuesto
9. Eliminación y reciclaje
10. Almacenamiento
11. Plan para localización de averías

**Peligro!**

Al usar aparatos es preciso tener en cuenta una serie de medidas de seguridad para evitar lesiones o daños. Por este motivo, es preciso leer atentamente este manual de instrucciones/advertencias de seguridad. Guardar esta información cuidadosamente para poder consultarla en cualquier momento. En caso de entregar el aparato a terceras personas, será preciso entregarles, asimismo, el manual de instrucciones/advertencias de seguridad. No nos hacemos responsables de accidentes o daños provocados por no tener en cuenta este manual y las instrucciones de seguridad.

**1. Instrucciones de seguridad****Peligro!**

**Lea todas las instrucciones de seguridad e indicaciones.** El incumplimiento de dichas instrucciones e indicaciones puede provocar descargas, incendios y/o daños graves. **Guarde todas las instrucciones de seguridad e indicaciones para posibles consultas posteriores.**

**Instrucciones generales de seguridad para herramientas eléctricas**

El término de "herramienta eléctrica" que se usa en las instrucciones de seguridad se refiere a las herramientas que funcionan en red (con cable de conexión) y con batería (sin cable de conexión).

**1. Seguridad en el lugar de trabajo**

- a) **Mantener limpia y bien iluminada la zona de trabajo.** *Las zonas de trabajo desordenadas o sin luz pueden conllevar accidentes.*
- b) **No trabajar con este aparato eléctrico en un entorno explosivo en el que se hallen líquidos, gases o polvos inflamables.** *Las herramientas eléctricas generan chispas que pueden inflamar el polvo o los vapores.*
- c) **Mantener alejados a niños y a otras personas fuera del alcance de la herramienta eléctrica.** *Las distracciones pueden hacer perder el control sobre el aparato.*

**2. Seguridad eléctrica**

- a) **El enchufe del aparato eléctrico debe ser el adecuado para la toma de corriente. El enchufe no debe ser modificado de ningún modo. No emplear adaptadores de enchufe con aparatos eléctricos puestos a tierra.** *Los enchufes sin modificar y las*

*tomas de corriente adecuadas reducen el riesgo de una descarga eléctrica.*

- b) **Evitar el contacto corporal con superficies con toma de tierra como tubos, calefacciones, fogones y frigoríficos.** *Existe un gran riesgo de descarga eléctrica si su cuerpo se halla puesto a tierra.*
  - c) **Mantener los aparatos eléctricos alejados de la lluvia o la humedad.** *Si entra agua en el aparato eléctrico existirá mayor riesgo de una descarga eléctrica.*
  - d) **No utilizar el cable de forma inadecuada, no utilizarlo para transportar el aparato, colgarlo o retirarlo de la toma de corriente. Mantener el cable alejado del calor, aceites, cantos afilados o partes del aparato en movimiento.** *Los cables dañados o mal enrollados aumentan el riesgo de descarga eléctrica.*
  - e) **Si se trabaja con una herramienta eléctrica al aire libre, emplear sólo alargaderas que también sean adecuadas para el exterior.** *El empleo de una alargadera apropiada para trabajos en el exterior reduce el riesgo de descarga eléctrica.*
  - f) **Si no se puede evitar tener que utilizar la herramienta eléctrica en un entorno húmedo, utilizar un dispositivo de protección diferencial.** *El uso de un dispositivo de protección diferencial reduce el riesgo de sufrir una descarga eléctrica. OBSERVACIÓN: el término "interruptor diferencial (RCD)" puede ser reemplazado por el término "interruptor de circuito por falla de tierra (GFCI)" o "interruptor de corriente por defecto (ELCB)".*
- 3. Seguridad de personas**
    - a) **Prestar atención al trabajo, comprobar lo que se está haciendo y proceder de forma razonable durante el trabajo de una herramienta eléctrica. No emplear la herramienta eléctrica si se está cansado o bajo la influencia de drogas, alcohol o medicamentos.** *Una mínima falta de atención durante el uso de la herramienta eléctrica puede causar lesiones graves.*
    - b) **Llevar equipo de protección personal. Llevar siempre gafas protectoras.** *El equipo de protección (como mascarilla antipolvo, calzado de seguridad antideslizante, casco o protección auditiva) usado en las condiciones adecuadas sirve para reducir las lesiones personales.*

- c) **Prevenir un arranque no intencionado. Asegurarse de que el interruptor se encuentre en la posición OFF antes de conectar la herramienta a la fuente eléctrica y/o BATERÍA, alzarla o transportarla.** *El transporte de herramientas eléctricas con el dedo en el interruptor o la activación de herramientas eléctricas con el interruptor en ON puede provocar accidentes.*
- d) **Retirar las herramientas de ajuste o la llave antes de conectar la herramienta eléctrica.** *Una herramienta o llave que se haya olvidado en partes giratorias del aparato puede producir lesiones.*
- e) **Evitar trabajar en una posición corporal inadecuada. Adoptar una posición segura y mantener en todo momento el equilibrio.** *Ello permite controlar mejor la herramienta eléctrica en situaciones inesperadas.*
- f) **Llevar ropa de trabajo adecuada. No llevar ropa holgada ni joyas durante el trabajo. Mantener el cabello, la ropa y los guantes alejados de las piezas en movimiento.** *La ropa holgada, las joyas o los cabellos largos pueden ser atrapados por las piezas en movimiento.*
- g) **Si el aparato permite instalar dispositivos de aspiración y recogida del polvo, es preciso asegurarse de que estén conectados y se empleen de forma correcta.** *La utilización de un aspirador de polvo puede reducir los peligros provocados por el mismo.*
- 4. Empleo y tratamiento de la herramienta eléctrica**
- a) **No sobrecargar el aparato. Usar la herramienta eléctrica específica para cada trabajo.** *Con la herramienta eléctrica adecuada se trabaja mejor y con más seguridad permaneciendo dentro de la potencia indicada.*
- b) **No usar ninguna herramienta eléctrica cuyo interruptor esté defectuoso.** *Una herramienta eléctrica que ya no pueda conectarse o desconectarse conlleva peligros y debe repararse.*
- c) **Desconectar el enchufe de la toma de corriente y/o retirar la batería, si es desmontable, de la herramienta eléctrica antes de realizar cualquier ajuste, cambiar accesorios o almacenarla.** *Este tipo de medidas de seguridad preventivas sirve para reducir el riesgo de poner en marcha la herramienta eléctrica de manera involuntaria.*
- d) **Guardar las herramientas eléctricas que no se usen fuera del alcance de los niños.**
- No permitir el uso del aparato a personas que no estén familiarizadas con él o no hayan leído estas instrucciones.** *Las herramientas eléctricas son peligrosas si las usan personas sin experiencia.*
- e) **Realizar el mantenimiento de las herramientas eléctricas y los accesorios. Comprobar que las piezas móviles no estén desajustadas ni atascadas, que las piezas no presenten rotura ni otras condiciones que puedan afectar al funcionamiento de la herramienta eléctrica.** *En caso de que la herramienta eléctrica esté dañada, es preciso que sea reparada antes de utilizarla de nuevo.* *Muchos accidentes se provocan a causa de un mantenimiento deficiente de la herramienta eléctrica.*
- f) **Mantener limpias y afiladas las herramientas de corte.** *Las herramientas de corte bien cuidadas con cantos afilados se bloquean con menor frecuencia y pueden manejarse de forma más sencilla.*
- g) **Respetar estas instrucciones cuando se desee utilizar la herramienta eléctrica, los accesorios, piezas de recambio, etc. Para ello, tener en cuenta las condiciones de trabajo y la tarea a ejecutar.** *El uso de herramientas eléctricas para otros fines diferentes a los previstos puede originar situaciones peligrosas.*
- 5. Empleo y tratamiento de la herramienta eléctrica**
- a) **Cargar la batería sólo en cargadores recomendados por el fabricante.** *Existe el peligro de incendio si se utiliza un cargador, indicado sólo para un tipo concreto de baterías, para otro tipo de baterías.*
- b) **Utilizar sólo las baterías indicadas para la herramienta eléctrica en cuestión.** *El uso de otras baterías puede provocar daños y conllevar peligro de incendio.*
- c) **Mantener cualquier batería que no se esté utilizando alejada de grapas, monedas, llaves, clavos, tornillos u otros objetos metálicos pequeños que podrían provocar un puenteo de los contactos.** *Un cortocircuito entre los contactos de la batería puede tener como consecuencia quemaduras o provocar fuego.*
- d) **Si se utiliza incorrectamente podría salir líquido de la batería. Evitar el contacto con el líquido. En caso de tocar accidentalmente el líquido, lavar la zona afectada con agua. Si el líquido penetra en los**

**ojos, acudir a un médico.** El líquido de la batería puede provocar irritaciones en la piel o quemaduras.

## 6. Servicio

- a) **Sólo especialistas cualificados deben reparar la herramienta eléctrica, empleando para ello únicamente piezas de repuesto originales.** Esta forma de proceder garantiza la seguridad de la herramienta eléctrica.

### 1.) PARA TODOS LOS APARATOS DE JARDINERÍA QUE FUNCIONAN CON BATERÍA:

- No cargar el aparato bajo la lluvia ni en lugares húmedos.
- No utilizar aparatos que funcionan con batería bajo la lluvia. Quitar o desconectar siempre la batería antes de realizar ajustes, limpiar, reparar o transportar el aparato de jardín.

### 2.) PARA TODOS LOS APARATOS QUE FUNCIONAN CON UNA BATERÍA DESMONTABLE:

- Usar solo el siguiente tipo y tamaño de batería:  
18V 1.5Ah P-X-C batería Li-Ion  
18V 2.0Ah P-X-C batería Li-Ion  
18V 2.5Ah P-X-C batería Li-Ion  
18V 3.0Ah P-X-C batería Li-Ion  
18V 4.0Ah P-X-C batería Li-Ion  
18V 5.2Ah P-X-C Plus batería Li-Ion  
18V 4.0Ah/6.0Ah P-X-C Plus batería Li-Ion
- No tirar la batería al fuego. La célula puede explotar. Consultar la legislación local en materia de eliminación de residuos.
- No abrir ni cortar la batería. El electrolito que sale de la misma es corrosivo y puede lesionar los ojos o la piel. Puede ser tóxico si se ingiere.
- Tener cuidado al manipular la batería para no cortocircuitarla con materiales conductivos como anillos, pulseras o llaves. La batería o el conductor se puede sobrecalentar y provocar quemaduras.

### 3.) EVITAR UN ARRANQUE INVOLUNTARIO: NO INSERTAR LA BATERÍA MIENTRAS SE TIENE EL DEDO EN EL INTERRUPTOR. ASEGURARSE DE QUE EL INTERRUPTOR ESTÉ EN OFF CUANDO SE INSERTE LA BATERÍA. NORMAS ADICIONALES DE SEGURIDAD PARA RECORTABORDES Y RECORTADORAS DE CÉSPED

- Mantener los dispositivos de protección en

su lugar y en buen estado.

- Mantener las manos y los pies fuera de la zona de corte.
- No utilizar cables más pesados de lo recomendado en este manual.
- No utilizar materiales de cable de otros tipos, como por ejemplo metálicos, de cuerda ni similares.

## ADVERTENCIAS GENERALES DE SEGURIDAD PARA LA BATERÍA

- Desechar la batería usada a tiempo y de manera adecuada. A la hora de desechar células o baterías secundarias, mantener separadas las células o baterías de distintos sistemas electromecánicos.
- Mantener la batería fuera del alcance de los niños y en el embalaje original hasta que estén listas para su uso.
- No meterse nunca la batería en la boca. De ingerirse, ponerse de inmediato en contacto con el centro de toxicología local.
- CUIDADO: la batería que se utiliza en este dispositivo puede conllevar riesgo de incendio o quemadura química si se abusa de ella. Sustituir la batería exclusivamente por otra de la marca Einhell o la marca recomendada. El uso de cualquier otra batería puede conllevar riesgo de incendio o explosión.
- ADVERTENCIA: no utilizar una batería o aparato que esté visiblemente dañado.
- ADVERTENCIA: no modificar ni intentar reparar el aparato ni la batería.
- **LAS BATERÍAS SE TIENEN QUE RECLAR.**
- No cortocircuitar la célula ni la batería. No guardar las células ni baterías de manera descuidada en una caja o en un cajón donde se puedan cortocircuitar entre sí o por materiales conductivos.
- No someter las células o baterías a choques mecánicos.
- Mantener las células y baterías limpias y secas. Si se ensucian, frotarlas con un paño limpio y seco.
- No mantener las células o baterías secundarias en carga si no se usan.
- Mantener las células y baterías originales. No utilizar un cargador que no se haya facilitado específicamente para usar con el equipo. Las células y baterías secundarias se tienen que cargar antes de su uso. Utilizar siempre el cargador correcto y consultar las instrucciones del fabricante o el manual del equipo para saber cómo cargar correctamente.

- Siempre que sea posible, quitar la batería del equipo cuando no se use.
- Evitar un arranque inesperado. Asegurarse de que el interruptor se encuentre en la posición OFF antes de conectar la batería, alzarla o transportarla. El transporte de aparatos con el dedo en el interruptor o la activación de aparatos energéticos con el interruptor en ON puede provocar accidentes.
- Desconectar la batería del aparato antes de realizar ajustes, cambiar accesorios o almacenar el aparato. Este tipo de medidas de seguridad preventivas sirve para reducir el riesgo de poner en marcha el aparato de manera involuntaria.
- En caso de uso excesivo, es posible que algo de líquido goteé de la batería. Evitar el contacto. En caso de contacto accidental, lavar con agua. Si el líquido entra en contacto con los ojos, buscar atención médica. El líquido que sale de la batería puede causar irritación o quemaduras.
- Encargar el servicio exclusivamente a una persona cualificada que use solo piezas de repuesto idénticas. Solo así se podrá mantener la seguridad del producto.
- **Proteger la batería de la humedad, la lluvia y la humedad ambiental elevada.** La humedad, la lluvia y la humedad ambiental elevada pueden provocar daños peligrosos en las celdas. No cargar ni trabajar nunca con baterías que hayan estado expuestas a la humedad, la lluvia o humedad ambiental elevada, ¡reemplazarlas de inmediato!
- Si el aparato está dotado de una batería extraíble, por motivos de seguridad será preciso extraerla una vez finalizado el trabajo.
- **Para reducir el riesgo de electrocutarse, no utilizar nunca la herramienta en las inmediaciones de cables eléctricos.** El contacto o el uso en las inmediaciones de cables eléctricos puede provocar lesiones graves o una electrocución con consecuencias fatales. OBSERVACIÓN: en la advertencia de seguridad anterior se puede utilizar un lenguaje alternativo que se adapte a los requisitos locales.
- **Utilizar siempre las dos manos a la hora de operar el cortasetos de altura.** Sujetar el cortasetos de altura con las dos manos para evitar una pérdida de control.
- **Llevar siempre casco cuando se utilice el cortasetos a alturas por encima de la cabeza.** Los escombros que van cayendo pueden provocar lesiones personales graves.

**ADVERTENCIA: usar solo con la empuñadura y la protección montadas adecuadamente en el cortasetos. El uso del cortasetos sin haberse montado adecuadamente la protección ni la empuñadura suministradas puede resultar en lesiones personales graves.**

#### Información adicional de seguridad

- **Antes de empezar a cortar setos, comprobar que no presente objetos ocultos, como por ejemplo vallas metálicas.**
- **Sujetar el cortasetos correctamente con las dos manos.**
- **Asegurarse siempre de que las empuñaduras y los dispositivos de protección estén montados antes de utilizar la herramienta eléctrica.**
- **No intentar usar una máquina incompleta o una máquina que haya sido sometida a un cambio no autorizado.**
- **Antes de limpiar el cortasetos, apagar la herramienta y retirar la batería.**
- **Comprobar regularmente que las cuchillas no presenten daños. De ser este el caso, es preciso repararlas de inmediato.**
- **No permitir nunca que los niños utilicen la herramienta eléctrica.**
- **Insertar la cuchilla en la cubierta, asegurarse de que la cuchilla no esté expuesta después de su uso.**
- **No utilizar la herramienta cuando haga mal tiempo, especialmente si hay tormenta.**

#### INSTRUCCIONES DE SEGURIDAD IMPORTANTES PARA EL CARGADOR

**ADVERTENCIA:** Este producto puede contener plomo, ftalato u otros productos químicos que según el Estado de California pueden provocar cáncer, malformaciones en el feto u otros daños reproductivos. Lavarse las manos después de utilizarlo.

#### Instrucciones de seguridad para cortasetos de altura

##### Advertencias de seguridad del cortasetos de altura:

- **No utilizar el cortasetos de altura cuando haga mal tiempo, especialmente si hay riesgo de relámpagos.** Así se reduce el riesgo de ser alcanzado por un rayo.



### Explicación de los símbolos que aparecen sobre el aparato (fig. 24):

1. ¡Aviso!
2. Llevar protección para ojos, cabeza y oídos.
3. Proteger el aparato de la lluvia o la humedad.
5. Peligro de muerte por descarga eléctrica. ¡La distancia con respecto a los cables eléctricos debe ser de como mínimo 33 ft (10 m)!
6. Leer el manual de instrucciones de uso antes de la puesta en marcha.
7. Llevar calzado resistente.
8. Tener cuidado con las piezas que se caen o salen despedidas.
9. Mantenerse alejado.
11. Llevar guantes de protección

### GUARDE ESTAS INSTRUCCIONES

## 2. Descripción del aparato y volumen de entrega

### 2.1 Descripción del aparato

1. Asidero
2. Interruptor ON/OFF
3. botón de bloqueo de conexión
4. Botón de retención regulación de inclinación asidero
5. Tuerca de montaje
6. Tubo
7. Correa de sujeción para el hombro con desbloqueo de seguridad
8. Empuñadura adicional
9. Tuerca de enclavamiento tubo telescópico 1
10. Tubo telescópico 1
11. Tuerca de enclavamiento tubo telescópico 2
12. Tubo telescópico 2 con carcasa del motor
13. Botón de retención regulación de inclinación carcasa del motor
14. Juego de montaje para la bordeadora de arbustos
15. Protección para cuchilla de la bordeadora de arbustos
16. Carcasa del asidero
17. Mosquetón
18. Soporte del cinturón con bucles de metal
19. Tornillo hexagonal
20. Enclavamiento
21. Soporte de la empuñadura
22. Botones de bloqueo
23. Carcasa del motor
24. botón de enclavamiento
25. Dispositivo de retención
26. Indicador de capacidad de batería

27. Pulsador para indicar la capacidad de batería

### 2.2 Volumen de entrega

Sirviéndose de la descripción del volumen de entrega, comprobar que el artículo esté completo. Si faltase alguna pieza, dirigirse a nuestro Service Center o a la tienda especializada más cercana en un plazo máximo de 5 días laborales tras la compra del artículo presentando un recibo de compra válido.

- Abrir el embalaje y extraer cuidadosamente el aparato.
- Retirar el material de embalaje, así como los dispositivos de seguridad del embalaje y para el transporte (si existen).
- Comprobar que el volumen de entrega esté completo.
- Comprobar que el aparato y los accesorios no presenten daños ocasionados durante el transporte.
- Si es posible, almacenar el embalaje hasta que transcurra el periodo de garantía.

### Peligro!

**¡El aparato y el material de embalaje no son un juguete! ¡No permitir que los niños jueguen con bolsas de plástico, láminas y piezas pequeñas! ¡Riesgo de ingestión y asfixia!**

- Asidero completo
- Tubo con unidad de motor completo
- Correa de sujeción para el hombro con desbloqueo de seguridad
- Juego de montaje para la bordeadora de arbustos
- Protección para cuchilla de la bordeadora de arbustos
- Manual de instrucción original con instrucción de seguridad

### Accesorios disponibles por separado

- 18V 1.5Ah P-X-C batería Li-Ion
- 18V 2.0Ah P-X-C batería Li-Ion
- 18V 2.5Ah P-X-C batería Li-Ion
- 18V 3.0Ah P-X-C batería Li-Ion
- 18V 4.0Ah P-X-C batería Li-Ion
- 18V 5.2Ah P-X-C Plus batería Li-Ion
- 18V 4.0Ah/6.0Ah P-X-C Plus batería Li-Ion
- 18V P-X-C cargador rápido de doble Puerto
- 18V P-X-C cargador rápido

Explorar las opciones de batería y cargador en [einhellUSA.com](http://einhellUSA.com)

### 3. Uso adecuado


#### Bordeadora de arbustos

El juego de montaje para la bordeadora de arbustos solo se puede montar en el cabezal del motor suministrado. ¡Cuidado! La bordeadora de arbustos ha sido diseñada para podar setos, arbustos y matorrales. ¡Cuidado! No utilizar el aparato para cortar césped.

Utilizar la máquina sólo en los casos que se indican explícitamente como de uso adecuado. Cualquier otro uso no será adecuado. En caso de uso inadecuado, el fabricante no se hace responsable de daños o lesiones de cualquier tipo; el responsable es el usuario u operario de la máquina.

Tener en consideración que nuestro aparato no está indicado para un uso comercial, industrial o en taller. No asumiremos ningún tipo de garantía cuando se utilice el aparato en zonas industriales, comerciales o talleres, así como actividades similares.

### 4. Características técnicas

Alimentación de tensión de motor: ..... 18 V   
 Velocidad de corte: ..... 1700 cpm  
 Longitud de juego de cuchillas: .. 17.7 plg (45 cm)  
 Longitud de corte máx.: ..... 15.7 plg (40 cm)  
 Diámetro de corte máximo: ..... 0.51 plg (13 mm)  
 Tubo  
 telescópico: .. 6.9 pies a 10 pies (2.10 m a 3.04 m)  
 Cabezal  
 multi-ángulo: ..... -60°, -40°, -20°, 0°, 20°, 40°, 60°  
 Empuñadura principal  
 multi-ángulo: ..... -40°, -20°, 0°, 20°  
 Peso (solo herramienta): ..... 9.5 lb (4.3 kg)

#### ¡Reducir la emisión de ruido y las vibraciones al mínimo!

- Emplear sólo aparatos en perfecto estado.
- Realizar el mantenimiento del aparato y limpiarlo con regularidad.
- Adaptar el modo de trabajo al aparato.
- No sobrecargar el aparato.
- En caso necesario dejar que se compruebe el aparato.
- Apagar el aparato cuando no se esté utilizando.
- Llevar guantes.

### 5. Antes de la puesta en marcha

**¡Cuidado!** Montar la batería una vez esté completamente montado el aparato y se hayan realizado todos los ajustes. Llevar siempre puestos guantes de protección al efectuar trabajos en el aparato a fin de evitar lesiones. Desembalar todas las piezas con cuidado y comprobar que estén completas (fig. 1)

#### 5.1 Montaje general

- a) Fig. 2-3: Introducir el tubo (6) hasta la marca en la carcasa del asidero (16) y apretarlo con la tuerca de montaje (5).
- b) Fig. 4: Enganchar el mosquetón (17) de la correa de sujeción para el hombro (7) en el soporte de la correa (18).
- c) Fig. 5: La empuñadura adicional (8) se compone de tornillo hexagonal (19) y enclavamiento (20). Se monta en el soporte de la empuñadura (21) según se muestra en la figura. Introducir para ello el tornillo hexagonal (19) en la empuñadura adicional y atornillarla con el enclavamiento (20).

#### 5.2 Ajuste de la empuñadura adicional (fig. 6-7)

- a) **Ajustar la inclinación de la empuñadura adicional**  
Abrir el enclavamiento (20). Ajustar la inclinación deseada de la empuñadura adicional (8). Cerrar el enclavamiento (20).
- b) **Desplazar la empuñadura adicional**  
Abrir el enclavamiento y desplazar la empuñadura adicional (8) hasta alcanzar la posición deseada. Cerrar el enclavamiento.

#### 5.3 Cómo colocar la correa de sujeción para el hombro

**¡Aviso!** Llevar siempre una correa de sujeción para el hombro al trabajar con la sierra. Apagar siempre el aparato antes de quitarse la correa de sujeción para el hombro. Existe peligro de sufrir lesiones.

1. Enganchar el mosquetón (fig. 4/pos. 17) en el soporte de la correa (18).
2. Colocarse la correa de sujeción (fig. 8/pos. 7) sobre el hombro.
3. Ajustar la longitud de la correa de forma que la sujeción de la misma se halle a la altura de la cadera (fig. 8).
4. La correa de sujeción para el hombro está dotada de una hebilla. Si se necesita dejar rápidamente el aparato, presionar los ganchos

(fig. 9).

5. Para cambiar la posición del cinturón en el aparato, presionar los dos bucles de metal (fig. 4/pos.18) entre sí y desplazar el soporte del cinturón en el tubo.

#### 5.4 Ajuste de la inclinación del asidero (fig. 10)

Pulsar los dos botones de bloqueo (22) y ajustar la inclinación del asidero (1) en 4 posiciones.

#### 5.5 Ajuste de la inclinación de la carcasa del motor (fig. 11)

Pulsar los dos botones de bloqueo (22) y ajustar la inclinación de la carcasa del motor (23) en 7 posiciones.

#### 5.6 Ajuste de los tubos telescópicos (fig. 12)

1. Abrir las tuercas de enclavamiento del tubo telescópico (9 + 11) girando hacia la izquierda.
2. Extraer el tubo telescópico (10 + 12) hasta donde sea necesario para la altura de trabajo.
3. Cerrar las tuercas de enclavamiento del tubo telescópico (9 + 11) girando hacia la derecha.

#### 5.7 Montaje del juego de montaje para la bordeadora de arbustos en el cabezal del motor (fig. 13 - 14)

La protección debe estar puesta en la cuchilla de la bordeadora de arbustos para evitar lesiones.

1. Colocar el juego de montaje para la bordeadora de arbustos y el cabezal del motor de forma que las flechas de las dos partes coincidan.
2. Presionar el juego de montaje de la bordeadora de arbustos contra el cabezal del motor. De este modo, el botón de enclavamiento (24) se mueve hacia la derecha. Girar el juego de montaje para la bordeadora de arbustos hacia la derecha. El juego de montaje de la bordeadora de arbustos se bloquea en el cabezal del motor y está montado de forma fija. El botón de enclavamiento (24) se presiona hacia la izquierda.

#### 5.8 Cómo quitar el juego de montaje para la bordeadora de arbustos en el cabezal del motor (fig. 13 - 14)

La protección debe estar puesta en la cuchilla de la bordeadora para evitar lesiones.

1. Poner el botón de enclavamiento (24) a la derecha.
2. Girar el juego de montaje de la bordeadora de arbustos hasta que las flechas en el cabe-

zal del motor y el juego de montaje coincidan y se pueda quitar.

#### 5.9 Montaje de la batería (fig. 15 - 16)

Presionar, según se ve en la fig. 15, el dispositivo de retención (25) de la batería y desplazar la batería en el alojamiento previsto para ello. En cuanto la batería se encuentre en la posición de la figura 16, asegurarse de que el dispositivo de retención enclave. Para desmontar la batería, realizar los mismos pasos en orden inverso.

## 6. Manejo

Respetar las disposiciones legales vigentes sobre la emisión de ruidos en el lugar de uso (pueden variar según el lugar).

**¡Cuidado!** Llevar siempre una correa de sujeción para el hombro al trabajar con la sierra. Apagar siempre el aparato antes de quitarse la correa de sujeción para el hombro. Existe peligro de sufrir lesiones.

Poner la correa de sujeción para el hombro como se ha descrito antes, montar el juego de montaje deseado y ajustar el aparato a las necesidades de uno mismo.

#### Conexión/desconexión

##### Conexión

- Sujetar el aparato con ambas manos por las empuñaduras (los pulgares por debajo de la empuñadura adicional)
- Desplazar hacia delante el botón de bloqueo de conexión (fig. 3/pos. 3) y mantenerlo sujeto.
- Encender el aparato con el interruptor ON/OFF (fig. 3/pos. 2). Ya se puede volver a soltar el botón de bloqueo de conexión.

##### Desconexión

Soltar el interruptor ON/OFF (fig. 3/pos. 2).

#### 6.1 Cómo cargar la batería de litio

Las instrucciones correspondientes se encuentran en el manual de instrucciones original del cargador.

### 6.2 Indicador de capacidad de batería (fig. 17/pos. 26)

Pulsar el interruptor para acceder al indicador de capacidad de la batería (27). El indicador de capacidad de batería (26) le indica el estado de carga de la batería sirviéndose de 3 LEDs.

#### Los 3 LED están iluminados:

La batería está completamente cargada.

#### 2 o 1 LED están iluminados

La batería dispone de suficiente carga residual.

#### 1 LED parpadea:

La batería está vacía, es preciso cargarla.

#### Todos los LED parpadean

La batería está muy descargada y defectuosa. Está prohibido emplear y cargar una batería defectuosa.

## 7. Cómo trabajar con el juego de montaje para la bordeadora de arbustos

- Comprobar el funcionamiento de las cuchillas de corte. Las cuchillas de corte bilateral marchan contrapuestas, garantizando una elevada potencia de corte y un funcionamiento silencioso.
- Asegurarse de estar colocado de manera segura y sujetar el aparato con ambas manos y manteniéndolo a una distancia prudente con respecto del cuerpo. Antes de encender el aparato asegurarse de que no está tocando ningún objeto.

#### Instrucciones relativas al trabajo

- Además de para setos, también se puede emplear para recortar matorrales y arbustos.
- Para alcanzar un óptimo rendimiento de corte, la bordeadora de arbustos se ha de utilizar de forma que los dientes de las cuchillas se mantengan a un ángulo aprox. de 15° respecto al seto (véase fig. 18).
- Las cuchillas contrapuestas de corte bilateral permiten cortar en ambas direcciones (véase fig 19).
- Para alcanzar una altura uniforme del seto, se recomienda tensar un hilo que sirva de referencia a lo largo del borde del seto. Se cortarán las ramas que sobresalgan (véase fig. 20/21).

- Los laterales de un seto se recortarán con movimientos en forma de arco desde abajo hacia arriba (véase fig. 22).

## 8. Mantenimiento, limpieza y pedido de piezas de repuesto

### Peligro!

Desenchufar la batería antes de realizar trabajos de mantenimiento o de limpieza.

### 8.1 Limpieza

- Limpiar con regularidad el mecanismo tensor mediante aire comprimido o con un cepillo. No utilizar ningún tipo de herramientas para retirar las impurezas.
- Mantener las empuñaduras limpias de aceite para sujetar siempre con un agarre seguro.
- Bajo ningún pretexto se sumergirá el aparato ni en agua ni en otro tipo de líquidos.
- Quitar la suciedad en las cubiertas de protección con ayuda de un cepillo.
- Evitar al máximo posible que la suciedad y el polvo se acumulen en los dispositivos de seguridad, las rendijas de ventilación y la carcasa del motor. Frotar el aparato con un paño limpio o limpiarlo con aire comprimido manteniendo la presión baja.
- Se recomienda limpiar el aparato inmediatamente después de cada uso.
- Limpiar el aparato de forma periódica con un paño húmedo y un poco de jabón blando. No utilizar productos de limpieza o disolventes; ya que podrían deteriorar las piezas de plástico del aparato. Es preciso evitar que entre agua en el interior del aparato. Si entra agua en el aparato eléctrico, existirá mayor riesgo de que se produzca una descarga eléctrica.

### 8.2 Mantenimiento

Para obtener en todo momento un óptimo rendimiento, limpiar y lubricar las cuchillas con regularidad. Eliminar con un cepillo los restos acumulados y aplicar una fina película de aceite (fig. 23).

### 8.3 Pedido de piezas de repuesto:

#### Servicio

1. **Si su herramienta eléctrica necesita servicio, póngase en contacto con un distribuidor autorizado de Einhell USA o llame al centro de atención al cliente de Einhell USA 1-866-EINHELL (1-866-346-4355).** Utilice exclusivamente piezas de repuesto idénticas para las reparaciones. Solo así se podrá mantener la seguridad de la herramienta eléctrica.
2. **Si el cable del cargador está dañado, cámbielo de inmediato para evitar peligros.** Si necesita asistencia, llame al centro de atención al cliente de Einhell USA® al 1-866-EINHELL (1-866-346-4355).

**Para un envío adecuado de baterías de iones de litio defectuosas o dañadas, ponerse en contacto con nuestro servicio de asistencia técnica o con el punto de venta en el que se compró el aparato.**

**Para el envío o la eliminación de baterías o del aparato, estos deben embalarse por separado en bolsas de plástico para evitar cortocircuitos e incendios.**

Sólo está permitido copiar la documentación y documentos anexos del producto, o extractos de los mismos, con autorización expresa de Einhell Germany AG.

Nos reservamos el derecho a realizar modificaciones técnicas

## 9. Eliminación y reciclaje

El aparato está protegido por un embalaje para evitar daños producidos por el transporte. Este embalaje es materia prima y, por eso, se puede volver a utilizar o llevar a un punto de reciclaje. El aparato y sus accesorios están compuestos de diversos materiales, como, p. ej., metal y plástico. Los aparatos defectuosos no deben tirarse a la basura doméstica. Para su eliminación adecuada, el aparato debe entregarse a una entidad recolectora prevista para ello. En caso de no conocer ninguna, será preciso informarse en el organismo responsable del municipio.

## 10. Almacenamiento

Guardar el aparato y sus accesorios en un lugar oscuro, seco, protegido de las heladas e inaccesible para los niños. La temperatura de almacenamiento óptima se encuentra entre los 41°F y 86°F (5 y 30 °C). Guardar la herramienta eléctrica en su embalaje original.

## 11. Plan para localización de averías

### ¡Peligro!

Antes de la localización de averías es preciso apagar el aparato y quitar la batería.

En la siguiente tabla se describen posibles fallos y se ofrecen soluciones para su eliminación. Si no se puede localizar ni subsanar el problema, será preciso ponerse en contacto con su taller de asistencia técnica.

Avería	Posibles causas	Solución
El aparato no funciona	<ul style="list-style-type: none"> <li>- Batería vacía</li> <li>- Batería puesta de forma incorrecta</li> </ul>	<ul style="list-style-type: none"> <li>- Cargar la batería</li> <li>- Quitar la batería y volverla a meter</li> </ul>
El aparato trabaja de manera intermitente	<ul style="list-style-type: none"> <li>- Contacto flojo externo</li> <li>- Contacto flojo interno</li> <li>- Interruptor ON/OFF defectuoso</li> </ul>	<ul style="list-style-type: none"> <li>- Buscar un taller especializado</li> <li>- Buscar un taller especializado</li> <li>- Buscar un taller especializado</li> </ul>

En caso de que el aparato no funcione a pesar de haber reparado los fallos y de haber tensión, ponerse en contacto con el servicio de atención al cliente, véase apartado 8.3.



## LA PROMESA DE EINHELL AL CLIENTE

**LO PRIMERO ES LA CALIDAD.** El nombre de Einhell es sinónimo de herramientas de alto rendimiento y manufactura europea de alta calidad. Desde destornilladores inalámbricos hasta cortacéspedes eléctricos, Einhell USA diseña y desarrolla innovadoras herramientas para jardinería y eléctricas de mano para amantes del DIY, jardineros aficionados y manitas.

Los equipos de aseguramiento de la calidad y de ingenieros de Einhell USA garantizan que los productos se sometan a las pruebas más exigentes en materia de calidad y rendimiento. Sabemos que incluso las herramientas más resistentes pueden sufrir complicaciones. Si nota alguna anomalía en su producto, le aseguramos que haremos todo lo posible para devolverle una herramienta capaz de trabajar satisfaciendo sus exigencias.

### REGISTRO DEL PRODUCTO:

Einhell le recomienda encarecidamente que registre su compra. Puede registrarla online en **EinhellUSA.com**. En caso de no hacerlo, el producto comprado no perderá los derechos de garantía. No obstante, registrando su compra permite que Einhell le preste un mejor servicio de atención al cliente cuando lo necesite.

### ¿QUÉ CUBRE?

Einhell garantiza al propietario que, si esta máquina falla en un plazo de 2 años a partir de la fecha de compra debido a un defecto en el material, en la manufactura o como resultado de un desgaste normal del uso doméstico ordinario, Einhell le enviará una pieza o un producto de repuesto, según se necesite, de manera gratuita y sin gastos de envío al comprador original. Si, a criterio exclusivo de Einhell, la máquina averiada no se puede reparar con una pieza, Einhell decidirá si a) envía una nueva máquina de manera gratuita y sin gastos de envío, o b) reembolsa al propietario el importe completo de la compra.

### ¿QUIÉN PUEDE OBTENER COBERTURA DE GARANTÍA?

Einhell hace entrega de la presente garantía al propietario de esta máquina (una "máquina" consiste en un producto alimentado por un motor) para un uso exclusivamente doméstico y privado. Esta garantía está limitada a treinta (30) días a partir de la fecha de compra original de cualquier producto de la marca EINHELL que se use para fines comerciales o cualquier otro fin que produzca beneficios. Si la máquina cambia de propietario durante el periodo de cobertura, actualice la información del propietario de la máquina en **EinhellUSA.com**

### ¿QUÉ NO CUBRE?

Esta garantía no cubre ningún producto que haya sufrido un uso indebido, negligencia, o accidente, o que haya sido operado de forma contraria a las instrucciones de uso especificadas en el manual de servicio. La presente

garantía no cubre cambios estéticos que no afecten al funcionamiento.

Esta garantía solo será válida si la máquina se usa y mantiene conforme a las instrucciones, advertencias e instrucciones de seguridad indicadas en el manual de servicio. Einhell no se hará responsable del coste de ninguna reparación de garantía no autorizada. Esta garantía no cubre ningún costo o gasto incurrido por el comprador al proporcionar equipos sustitutos o servicio durante períodos razonables de avería o no utilización de este producto, mientras se espera por una pieza de repuesto o nuevo producto conforme a esta garantía.

La garantía no cubre piezas de desgaste como correas, brocas, cadenas ni dientes, que se pueden comprar en **EinhellUSA.com** o llamando al **1-866-EINHELL (1-866-346-4355)**. Las baterías están completamente cubiertas durante 90 días a partir de la fecha de compra.

La reparación, sustitución o el reembolso del precio de compra constituyen compensaciones exclusivas del comprador y única responsabilidad de Einhell conforme a esta garantía. Ningún empleado ni representante de Einhell está autorizado a realizar ninguna garantía adicional ni modificación alguna a la presente garantía que pueda ser vinculante para Einhell. Por consiguiente, el comprador no deberá ampararse en ninguna declaración adicional hecha por ningún empleado o representante de Einhell. Einhell no se hace responsable en ningún caso, ya se base en el contrato, indemnización, garantía, agravio (incluyendo negligencia), responsabilidad absoluta o de otro tipo, de ningún daño especial, indirecto, accidental o consecuentes incluyendo, sin limitaciones, la pérdida de beneficios o ingresos.

Algunos estados no permiten límites en las garantías. En dichos estados, no se aplicarán las limitaciones expuestas anteriormente.

Fuera de EE. UU. y Canadá se aplicarán otras garantías.



## Sommaire

1. Consignes de sécurité
2. Description de l'appareil et contenu de l'emballage
3. Utilisation conforme
4. Caractéristiques techniques
5. Avant la mise en service
6. Fonctionnement
7. Utilisation avec le kit de montage du taille-haies
8. Nettoyage, entretien et commande de pièces de rechange
9. Élimination et revalorisation
10. Conservation
11. Plan de dépannage

**Danger !**

Certaines mesures de sécurité doivent être respectées pendant l'utilisation des appareils pour empêcher les blessures et les dommages. Par conséquent, lisez attentivement le présent mode d'emploi / les consignes de sécurité. Conservez-les bien pour avoir les informations toujours à la portée de la main. Si vous devez passer l'appareil à d'autres personnes, veuillez leur remettre également le présent mode d'emploi / les consignes de sécurité. Nous ne sommes pas tenus des accidents ou dommages survenus à cause de non-respect du présent mode d'emploi et des consignes de sécurité.

**1. Consignes de sécurité****Danger !**

**Lisez toutes les consignes de sécurité et instructions.** Le non-respect des consignes de sécurité et des instructions peut causer une électrocution, un incendie et / ou de graves blessures. **Conservez toutes les consignes de sécurité et instructions pour l'avenir.**

**Consignes générales de sécurité pour les outils électriques**

Le terme « outil électrique » utilisé dans les consignes de sécurité se réfère à des outils électriques alimentés par le secteur (avec câble d'alimentation) et à des outils électriques alimentés par la batterie (sans câble d'alimentation).

**1. Sécurité du lieu de travail**

- a) **Maintenez votre espace de travail propre et bien éclairé.** *Le désordre ou les espaces de travail non éclairés peuvent provoquer des accidents.*
- b) **Ne travaillez pas avec l'outil électrique dans une atmosphère explosible contenant des liquides, des gaz ou des poussières combustibles.** *Les appareils électriques génèrent des étincelles pouvant enflammer la poussière ou les vapeurs.*
- c) **Tenez à distance les enfants et autres personnes lors de l'utilisation de l'appareil électrique.** *En cas de distraction, vous pouvez perdre le contrôle de l'appareil.*

**2. Sécurité électrique**

- a) **La fiche de raccordement de l'appareil électrique doit être adaptée à la prise. La fiche ne doit être modifiée en aucune façon. N'utilisez pas de fiche d'adaptateur avec les outils électriques mis à la terre.** *Les fiches non modifiées et les prises adaptées diminuent le risque d'une électrocution.*
  - b) **Évitez le contact physique avec les surfaces mises à la terre, comme celles de conduits, des chauffages, des cuisinières et des réfrigérateurs.** *Il existe un risque élevé d'électrocution lorsque votre corps est mis à la terre.*
  - c) **Gardez les appareils électriques à l'abri de la pluie ou de l'humidité.** *La pénétration de l'eau dans un appareil électrique augmente le risque d'une électrocution.*
  - d) **Ne détournez pas le câble de sa fonction pour porter ou pour accrocher l'appareil électrique ou pour retirer la fiche de la prise. Gardez le câble à l'abri de la chaleur, de l'huile, des bords coupants ou des éléments mobiles de l'appareil.** *Les câbles endommagés ou enchevêtrés augmentent le risque d'une électrocution.*
  - e) **Si vous travaillez avec un appareil électrique dehors, utilisez uniquement une rallonge adaptée à l'usage à l'extérieur.** *L'utilisation d'une rallonge adaptée à l'usage à l'extérieur diminue le risque d'une électrocution.*
  - f) **Si l'appareil électrique doit être utilisé dans un environnement humide, utilisez un disjoncteur de protection à courant de défaut.** *L'utilisation d'un disjoncteur de protection à courant de défaut diminue le risque d'une électrocution. NOTE Le terme « dispositif à courant résiduel (DCR) » peut être remplacé par le terme « disjoncteur différentiel de fuite à la terre (DDFT) » ou « disjoncteur différentiel (ELCB) ».*
- 3. Sécurité des personnes**
- a) **Soyez attentif, prenez garde à ce que vous faites et soyez raisonnable en travaillant avec un outil électrique. N'utilisez pas un appareil électrique si vous êtes fatigué ou si vous vous trouvez sous l'effet de drogues, d'alcool ou de médicaments.** *Un instant d'inattention lors de l'utilisation de l'appareil électrique peut entraîner de graves blessures.*
  - b) **Utiliser l'équipement de protection individuelle. Porter toujours une protection des**

**yeux.** *L'équipement de protection, tel que le masque anti-poussière, les chaussures de sécurité antidérapantes, le casque protecteur ou la protection auditive utilisés dans des conditions appropriées, permet de réduire les dommages corporels.*

- c) **Évitez tout démarrage non intentionnel. S'assurer que le bouton marche-arrêt est en position OFF avant de connecter la source de courant et/ou la BATTERIE, de prendre et de transporter l'outil.** *Transporter des outils électriques avec votre doigt sur le bouton marche-arrêt ou mettre sous tension des outils électriques dont le bouton marche-arrêt est position ON peut causer des accidents.*
  - d) **Avant d'allumer l'outil électrique, retirez les outils de réglage ou les clés.** *Un outil ou une clé se trouvant dans un élément tournant de la machine peut entraîner des blessures.*
  - e) **Évitez une posture anormale. Ayez un appui stable et gardez l'équilibre en permanence.** *Vous pouvez ainsi mieux contrôler l'outil électrique dans des situations imprévues.*
  - f) **Portez des vêtements appropriés. Ne portez pas de vêtements amples ni de bijoux. Gardez les cheveux, les vêtements et les gants à distance des éléments mobiles.** *Des vêtements amples, bijoux ou longs cheveux peuvent être happés par les éléments mobiles.*
  - g) **Si des dispositifs d'aspiration ou de récupération des poussières peuvent être montés, assurez-vous qu'ils sont connectés et peuvent être utilisés correctement.** *L'utilisation d'une aspiration des poussières peut diminuer les risques causés par la poussière.*
- 4. Utilisation et traitement de l'outil électrique**
- a) **Ne surchargez pas l'appareil. Utilisez pour votre travail l'outil électrique idoine.** *Vous travaillez mieux et de manière plus sûre avec un outil électrique approprié dans la plage de puissance indiquée.*
  - b) **N'utilisez pas un outil électrique avec un interrupteur défectueux.** *Un outil électrique qui ne peut plus être allumé ou éteint est dangereux et doit être réparé.*
  - c) **Débrancher la fiche de la source électrique et / ou retirer le bloc de piles de l'outil électrique, s'il est amovible, avant**

**de procéder à des ajustements, remplacer des accessoires ou ranger les outils électriques.** *De telles mesures préventives réduisent le risque de démarrage intempestif de l'outil électrique.*

- d) **Conservez les outils électriques non utilisés hors la portée des enfants. Ne permettez pas aux personnes qui ne sont pas familiarisées avec cet appareil ou qui n'ont pas lu ces instructions de l'utiliser.** *Les outils électriques sont dangereux lorsqu'ils sont utilisés par des personnes inexpérimentées.*
  - e) **Entretenez les outils électriques et les accessoires. Vérifier la dérive d'alignement ou l'attache des pièces mobiles, la rupture des pièces et s'assurer qu'aucun autre problème peut affecter le bon fonctionnement de l'outil électrique. Faire réparer l'outil endommagé avant l'utilisation.** *De nombreux accidents sont dus au mauvais entretien des outils électriques.*
  - f) **Maintenez vos outils de coupe aiguisés et propres. Les outils de coupe aux bords tranchants bien soignés se coincent moins et sont plus aisés à guider.**
  - g) **Utilisez l'outil électrique, les accessoires, les outils utilisés, etc. conformément au présent mode d'emploi. Tenez compte des conditions de travail et de l'activité à réaliser.** *L'utilisation des outils électriques pour des usages autres que prévus peut entraîner des situations dangereuses.*
- 5. Utilisation et traitement de l'outil sans fil**
- a) **Chargez les batteries uniquement dans les chargeurs recommandés par le fabricant.** *L'utilisation d'un chargeur pour des batteries non appropriées présente un risque d'incendie.*
  - b) **Utilisez dans les outils électriques uniquement les batteries prévues à cet effet.** *L'utilisation d'autres batteries peut entraîner des blessures et le risque d'incendie.*
  - c) **Conservez la batterie non utilisée à distance des trombones, pièces de monnaie, clés, clous, vis ou autres menus objets en métal susceptibles de provoquer un pontage des contacts.** *Un court-circuit entre les contacts de la batterie peut entraîner des brûlures ou le feu.*
  - d) **En cas d'utilisation incorrecte, un liquide peut s'échapper de la batterie. Ne le touchez pas. Rincer à l'eau en cas de contact fortuit. Si le liquide entre en contact avec**

**les yeux, consultez également le médecin.** *Le liquide s'échappant de la batterie peut causer des irritations cutanées ou des brûlures.*

## 6. Service

- a) **Faites réparer votre outil électrique uniquement par des spécialistes qualifiés et uniquement avec des pièces de rechange d'origine.** *Cela garantit le maintien de la sécurité de l'outil électrique.*

### 1.) POUR TOUS LES APPAREILS DE JARDINAGE SANS FIL

- Ne chargez pas l'appareil sous la pluie ou dans des locaux humides.
- N'utilisez pas les appareils à batterie sous la pluie. Retirez ou déconnectez toujours le bloc de batterie avant l'ajustement, le nettoyage, le service ou le transport le appareil de jardin.

### 2.) POUR TOUS LES PRODUITS SANS FIL AVEC UNE BATTERIE AMOVIBLE OU SÉPARABLE :

- Utilisez uniquement la batterie de type et de taille suivants :  
18V 1,5Ah P-X-C batterie Li-ion  
18V 2,0Ah P-X-C batterie Li-ion  
18V 2,5Ah P-X-C batterie Li-ion  
18V 3,0Ah P-X-C batterie Li-ion  
18V 4,0Ah P-X-C batterie Li-ion  
18V 5,2Ah P-X-C Plus batterie Li-ion  
18V 4,0Ah/6,0Ah P-X-C Plus batterie Li-ion
- Ne jetez pas la batterie dans le feu. La cellule peut exploser. Consultez les règlements locaux pour connaître les instructions d'élimination spécifiques possibles.
- N'ouvrez ni n'abîmez la batterie. L'électrolyte libéré est corrosif et peut être dangereux pour les yeux ou la peau. Il peut être toxique s'il est avalé.
- Manipulez la batterie avec précaution afin de ne pas la court-circuiter avec des matériaux conducteurs, tels que les bagues, les bracelets et les clés. La batterie ou le conducteur peuvent surchauffer et causer des brûlures.

### 3.) ÉVITEZ UN DÉMARRAGE INTEMPESTIF – N'INSÉREZ PAS LA BATTERIE ALORS QUE VOTRE DOIGT EST SUR L'INTERRUPTEUR. ASSUREZ-VOUS QUE L'INTERRUPTEUR EST SUR L'ARRÊT EN INSÉRANT LA BATTERIE. RÈGLES DE SÉCURITÉ SUPPLÉMENTAIRES POUR LES COUPE-HERBE ET LES COUPE-BOR-

## DURES

- Gardez les protections en place et en bon état de marche.
- Gardez les mains et les pieds hors de la zone de coupe.
- N'utilisez pas de lignes plus lourdes que celles qui sont recommandées dans le présent mode d'emploi.
- N'utilisez pas de matériaux de ligne d'autres types – par exemple, les fils métalliques, les cordes, etc.

## AVERTISSEMENTS DE SÉCURITÉ GÉNÉRAUX POUR LE BLOC DE BATTERIE

- Éliminez la batterie usée vite et promptement. Lors de l'élimination des piles secondaires ou des batteries, gardez les piles ou les batteries de différents systèmes électrochimiques séparément les unes des autres.
- Gardez la batterie hors de portée des enfants dans l'emballage d'origine jusqu'à son utilisation.
- Ne mettez jamais les batteries dans la bouche. Si elles sont avalées, contactez immédiatement le centre antipoison local.
- PRUDENCE – La batterie utilisée dans cet appareil peut présenter un risque d'incendie ou de brûlure chimique en cas de mauvaise manipulation. Remplacez uniquement la batterie de marque principale Einhell / gazon. L'utilisation d'une autre batterie peut présenter un risque d'incendie ou d'explosion.
- AVERTISSEMENT : N'utilisez pas un bloc de batterie ou un appareil visiblement endommagé.
- AVERTISSEMENT : Ne modifiez ni n'essayez de réparer l'appareil ou le bloc de batterie.
- **LES BATTERIES DOIVENT ÊTRE RECYCLÉES.**
- Ne court-circuitez une cellule ou une batterie. Ne conservez pas les piles ou les batteries au hasard dans une boîte ou un tiroir ou elles peuvent court-circuiter entre elles ou être court-circuitées par les matériaux conducteurs.
- N'exposez pas les piles ou les batteries aux chocs mécaniques.
- Gardez les piles et les batteries dans un endroit propre et sec. Essuyez les bornes des piles ou des batteries avec un linge propre et sec si elles deviennent sales.
- Ne gardez pas les piles et les batteries chargées si vous ne les utilisez pas.
- Conservez la pile et la batterie d'origine. N'utilisez pas d'autres chargeurs que ceux

qui sont spécifiquement fournies pour être utilisées avec l'équipement. Les piles et les batteries secondaires doivent être cherchées avant l'utilisation. Utilisez toujours le chargeur correct et référez-vous aux instructions du fabricant ou au mode d'emploi de l'équipement pour consulter les instructions de chargement correctes.

- Si possible, retirez la batterie de l'équipement lorsque vous ne l'utilisez pas.
- Empêchez tout démarrage non intentionnel. Assurez-vous que le bouton marche-arrêt est en position OFF avant de connecter le bloc de batterie, de prendre et de transporter l'outil. Le transport de l'appareil avec le doigt sur le bouton marche-arrêt ou la mise sous tension des appareils électriques dont le bouton marche-arrêt est en position ON peuvent causer des accidents.
- Déconnectez le bloc de batterie de l'appareil avant de procéder aux ajustements, de remplacer les accessoires ou de ranger l'appareil. De telles mesures préventives réduisent le risque de démarrage intempestif de l'appareil
- Dans des conditions abusives, un liquide peut sortir de la batterie, évitez le contact. En cas de contact accidentel, rincez avec de l'eau. En cas de contact du liquide avec les yeux, consultez un médecin. Le liquide sorti de la batterie peut causer des irritations ou des brûlures.
- Confiez le service à un réparateur qualifié qui utilise uniquement les pièces de rechange identiques. Cela permettra de maintenir la sécurité du produit.
- **Protégez votre batterie de l'humidité, de la pluie et de l'humidité de l'air élevée.** L'humidité, la pluie et l'humidité de l'air élevée peuvent endommager dangereusement les cellules. En aucun cas, ne chargez ni ne travaillez avec la batterie qui a été exposée à l'humidité, à la pluie ou à l'humidité de l'air élevée – remplacez-les immédiatement !
- Si votre appareil est équipé d'une batterie amovible, retirez-la de votre appareil à la fin de votre travail pour des raisons de sécurité.

#### **CONSIGNES DE SÉCURITÉ IMPORTANTES POUR LE CHARGEUR**

**AVERTISSEMENT** : Ce produit peut contenir du plomb, du phtalate ou autres produits chimiques reconnus par l'État de Californie comme cause de cancer, d'anomalies congénitales et de lésions de l'appareil reproducteur. Veuillez laver vos mains après l'utilisation.

#### **Consignes de sécurité pour taille-haies à portée étendue**

##### **Avertissements de taille-haies à portée étendue :**

- **N'utilisez pas le taille-haies à portée étendue par mauvais temps, en particulier lorsqu'il y a un risque de foudre.** Cela diminue le risque d'être frappé par la foudre.
- **Pour réduire le risque d'électrocution, n'utilisez jamais l'appareil à proximité des lignes électriques.** L'utilisation à proximité des lignes électriques ou le contact avec celles-ci pourrait causer une grave blessure ou un choc électrique mortel. NOTE : Pour l'avertissement ci-dessus, l'on peut utiliser une autre langue pour satisfaire les exigences locales.
- **Manipulez toujours le taille-haies à portée étendue avec les deux mains.** Tenez le taille-haies à portée étendue avec les deux mains pour éviter une perte de contrôle.
- **Portez toujours un casque pendant l'utilisation du taille-haies à portée étendue au-dessus de la tête.** La chute de débris peut causer de graves blessures.

**AVERTISSEMENT – utiliser uniquement avec la poignée et la protection correctement montées sur le taille-haies. L'utilisation du taille-haies sans protection correcte ou la poignée fournies peut entraîner une grave blessure.**

##### **Consignes de sécurité supplémentaires**

- **Avant de commencer la taille de haies, vérifiez s'il y a des objets dissimulés, tels que clôtures barbelées.**
- **Tenez le taille-haies correctement avec les deux mains.**
- **Assurez-vous toujours que toutes les poignées et protections sont fixées avant d'utiliser l'outil électrique.**
- **N'utilisez pas une machine incomplète ou ayant subi une modification non autorisée.**
- **Avant le nettoyage du taille-haies, mettez à l'arrêt l'outil et retirez le bloc de batterie.**
- **Vérifiez régulièrement si les lames sont endommagées, si c'est le cas, réparez-les immédiatement.**
- **Ne permettez jamais aux enfants d'utiliser l'outil électrique.**
- **Insérez la lame dans le couvre-lame, assurez-vous que la lame est bien protégée après l'utilisation.**

- **N'utilisez pas l'outil par du mauvais temps, en particulier pendant les orages.**

**Explication des symboles sur l'appareil (voir la fig. 24) :**

1. Avertissement !
2. Porter la protection des yeux / de la tête et de l'audition !
3. Protéger l'appareil contre la pluie ou l'humidité !
5. Danger de mort par électrocution. La distance par rapport aux lignes électriques doit être d'au moins 10 m (33 pieds) !
6. Lire le mode d'emploi avant la mise en service !
7. Porter des chaussures robustes !
8. Prenez garde à la chute et à la projection des pièces !
9. Garder la distance.
11. Porter des gants de protection.

**CONSERVER CES INSTRUCTIONS**

## 2. Description de l'appareil et contenu de l'emballage

### 2.1 Description de l'appareil

1. Poignée
2. Interrupteur de marche et d'arrêt
3. Verrouillage de mise en marche
4. Bouton de blocage du réglage d'inclinaison de la poignée
5. Écrou de montage
6. Tube
7. Bandoulière avec déverrouillage de sécurité
8. Poignée supplémentaire
9. Écrou de verrouillage du tube télescopique 1
10. Tube télescopique 1
11. Écrou de verrouillage du tube télescopique 2
12. Tube télescopique 2 avec carter du moteur
13. Bouton de blocage du réglage d'inclinaison du carter du moteur
14. Kit de montage du taille-haies
15. Protection de la lame du taille-haies
16. Logement de la poignée
17. Mousqueton
18. Sangle de fixation avec boucles métalliques
19. Vis hexagonale
20. Verrouillage
21. Support de poignée
22. Boutons de blocage
23. Carter du moteur
24. Bouton de verrouillage

25. Touche d'enclenchement
26. Témoin de charge de la batterie
27. Bouton de témoin de charge de la batterie

### 2.2 Contenu d'emballage

Veillez contrôler l'intégralité de l'article au moyen du contenu d'emballage décrit. En cas de pièces manquantes, veuillez contacter notre centre de service à la clientèle ou le point de vente où vous avez acheté l'appareil au plus tard dans les 5 jours ou-vrables à compter de l'achat de l'article en présentant un ticket de caisse valable.

- Ouvrez l'emballage et retirez-en prudemment l'appareil.
- Enlevez le matériau d'emballage ainsi que les sécurités d'emballage et de transport (le cas échéant).
- Contrôlez l'intégralité du contenu d'emballage.
- Vérifiez si l'appareil et les accessoires présentent des dommages dus au transport.
- Si possible, conservez l'emballage jusqu'à l'expiration de la durée de garantie.

### Danger !

**L'appareil et le matériau d'emballage ne sont pas un jouet ! Les enfants ne doivent pas jouer avec des sachets en plastique, des films ou de petites pièces ! Il existe le risque d'ingestion et de suffocation !**

- Poignée complète
- Tube avec l'unité motrice complet
- Bandoulière avec déverrouillage de sécurité
- Kit de montage du taille-haies
- Protection de la lame du taille-haies
- Mode d'emploi d'origine avec consignes de sécurité

### Accessoires disponibles séparément

- 18V 1,5Ah P-X-C batterie Li-ion
- 18V 2,0Ah P-X-C batterie Li-ion
- 18V 2,5Ah P-X-C batterie Li-ion
- 18V 3,0Ah P-X-C batterie Li-ion
- 18V 4,0Ah P-X-C batterie Li-ion
- 18V 5,2Ah P-X-C Plus batterie Li-ion
- 18V 4,0Ah/6,0Ah P-X-C Plus batterie Li-ion
- 18V P-X-C chargeur rapide à double raccord
- 18V P-X-C chargeur rapide

Explorez les options de batterie + chargeur sur [einhellUSA.com](http://einhellUSA.com)

### 3. Utilisation conforme


#### Taille-haies

Le kit de montage du taille-haies ne doit être monté que sur la tête du moteur fournie. Attention ! Ce taille-haies convient pour tailler les haies, buissons et arbustes. Attention ! N'utilisez pas l'appareil pour tailler de l'herbe.

La machine ne doit être utilisée que conformément à sa destination. Toute autre utilisation dépassant ce cadre n'est pas conforme. C'est l'utilisateur / l'opérateur qui est responsable de tous les dommages ou blessures de toute nature en résultant et non pas le fabricant.

Veillez noter que nos appareils n'ont pas été conçus pour une utilisation commerciale, artisanale ou industrielle. Nous n'accordons aucune garantie si l'appareil est utilisé dans des entreprises commerciales, artisanales ou industrielles ou pour des activités équivalentes.

### 4. Caractéristiques techniques

Alimentation électrique du moteur: ..... 18 V   
 Vitesse du coupe: ..... 1700 cpm  
 Longueur de lame: ..... 45 cm (17,7 po.)  
 Longueur de coupe max.: ..... 40 cm (15,7 po.)  
 Diamètre de coupe max.: ..... 13 mm (0,51 po.)  
 Manche  
 télescopique: ..... 2,10 m et 3,04 m ( 6,9 pi et 10 pi)  
 Tête multiangles: ..... -60°, -40°, -20°, 0°, 20°, 40°, 60°  
 Poignée principale  
 multiangles: ..... -40°, -20°, 0°, 20°  
 Poids (outil seulement): ..... 4,3 kg (9,5 lb)

#### Limitez à un minimum l'émission de bruit et les vibrations !

- Utilisez uniquement des appareils irréprochables.
- Entretenez et nettoyez l'appareil régulièrement.
- Adaptez votre méthode de travail à l'appareil.
- Ne surchargez pas l'appareil.
- Faites examiner l'appareil le cas échéant.
- Éteignez l'appareil lorsqu'il n'est plus utilisé.
- Portez des gants.

### 5. Avant la mise en service

**Attention !** Ne montez la batterie qu'après avoir complètement assemblé l'appareil et réalisé tous les réglages. Pour éviter des blessures, portez constamment des chaussures de protection pendant les travaux sur l'appareil. Déballiez soigneusement toutes les pièces et vérifiez leur intégralité (fig. 1).

#### 5.1 Montage en général

- Fig. 2-3 : Placez le tube (6) sur le logement de poignée (16) jusqu'au marquage et vissez-le à l'aide de l'écrou de montage (5).
- Fig. 4 : Accrochez le mousqueton (17) de la bandoulière (7) sur la sangle de fixation (18).
- Fig. 5 : La poignée supplémentaire (8) comprend une vis hexagonale (19) et un verrouillage (20). Elle doit être montée sur le support de poignée (21), comme indiqué. Poussez, pour ce faire, la vis hexagonale (19) dans la poignée supplémentaire et vissez-la au verrouillage (20).

#### 5.2 Régler la poignée supplémentaire (fig. 6-7)

- Régler l'inclinaison de la poignée supplémentaire**  
Ouvrez le verrouillage (20). Réglez l'inclinaison souhaitée de la poignée supplémentaire (8). Fermez le verrouillage (20).
- Décaler la poignée supplémentaire**  
Ouvrez le verrouillage et décalez la poignée supplémentaire (8) à l'endroit souhaité. Fermez le verrouillage.

#### 5.3 Mettre la bandoulière

**Avertissement !** Portez toujours une bandoulière pendant le travail. Éteignez toujours l'appareil avant de détacher la bandoulière. Il existe un risque de blessure.

- Accrochez le mousqueton (fig. 4 / pos. 17) sur la sangle de fixation (18).
- Passez la bandoulière (fig. 8 / pos. 7) par-dessus votre épaule.
- Ajustez la longueur de la sangle de sorte que la sangle de fixation soit à la hauteur des hanches (fig. 8).
- La bandoulière est munie d'une boucle. S'il est nécessaire de déposer l'appareil rapidement, pressez les crochets (fig. 9).
- Pour changer la position de la sangle sur l'appareil, pressez les deux boucles métalliques de la sangle de fixation (fig. 4 / pos. 18) l'une



contre l'autre et décalez la sangle de fixation sur le tube.

#### 5.4 Régler l'inclinaison de la poignée (fig. 10)

Appuyez sur les deux boutons de blocage (22) et réglez l'inclinaison de la poignée (1) en 4 crans d'arrêt.

#### 5.5 Régler l'inclinaison du carter du moteur (fig. 11)

Appuyez sur les deux boutons de blocage (22) et réglez l'inclinaison du carter du moteur (23) en 7 crans d'arrêt.

#### 5.6 Régler le tube télescopique (fig. 12)

1. Desserrez les écrous de verrouillage du tube télescopique (9 + 11) en les tournant vers la gauche.
2. Sortez les tubes télescopiques (10 + 12) à la hauteur nécessaire pour le travail.
3. Resserrez les écrous de verrouillage du tube télescopique (9 + 11) en les tournant vers la droite.

#### 5.7 Monter le kit de montage du taille-haies sur la tête de moteur (fig. 13-14)

Pour éviter les blessures, placez la protection sur la lame du taille-haies.

1. Positionnez le kit de montage du taille-haies et la tête de moteur de manière à faire concorder les flèches tracées sur les deux pièces.
2. Pressez le kit de montage du taille-haies contre la tête du moteur. Cela décalera le bouton de verrouillage (24) vers la droite. Tournez le kit de montage du taille-haies vers la droite. Le kit de montage du taille-haies se verrouille sur la tête du moteur et se fixe. Le bouton de verrouillage (24) sera alors pressé vers la gauche.

#### 5.8 Retirer le kit de montage du taille-haies sur la tête de moteur (fig. 13-14)

Pour éviter les blessures, placez la protection sur la lame du taille-haies.

1. Tirez le bouton de verrouillage (24) vers la droite.
2. Tournez le kit de montage du taille-haies jusqu'à ce que les flèches sur la tête du moteur et le taille-haies concordent et qu'il puisse être retiré.

#### 5.9 Montage de la batterie (fig. 15 - 16)

Appuyez sur la touche d'enclenchement (25) de la batterie, comme il est montré dans la fig. 15, et poussez la batterie dans le compartiment prévu à cette fin. Dès que la batterie est en position montrée à la fig. 16, prendre garde à l'enclenchement de la touche de verrouillage ! Le démontage de la batterie s'effectue dans l'ordre inverse !

## 6. Fonctionnement

Veuillez tenir compte des dispositions légales de la réglementation de la protection sonore, qui peuvent varier d'un lieu à un autre.

**Attention !** Portez toujours une bandoulière pendant le travail. Éteignez toujours l'appareil avant de détacher la bandoulière. Il existe un risque de blessure.

Passez la bandoulière comme décrit précédemment, montez le kit de montage souhaité et réglez l'appareil en fonction de vos besoins.

#### Mise en marche / à l'arrêt

##### Mise en marche

- Tenir l'appareil par les poignées avec les deux mains (les pouces sous la poignée supplémentaire)
- Pousser vers l'avant et tenir le blocage de mise en marche (fig. 3 / pos. 3).
- Mettre en marche l'appareil à l'aide de l'interrupteur de marche / arrêt (fig. 3 / pos. 2). Le blocage de mise en marche peut maintenant être relâché.

##### Mise à l'arrêt

Relâcher l'interrupteur de marche / arrêt (fig. 3 / pos. 2).

#### 6.1 Chargement de la batterie LI

Vous trouverez les instructions correspondantes dans le mode d'emploi d'origine de votre chargeur.

#### 6.2 Affichage de la capacité de la batterie (image 17/Pos. 26)

Appuyez sur l'interrupteur de l'affichage de la capacité de la batterie (27). L'affichage de la capacité de la batterie (26) signale l'état de charge de la batterie au moyen de 3 LEDs.

**Les 3 LEDs s'allument:**

La batterie est complètement chargée.

**2 ou 1 LED(s) s'allume(nt):**

La batterie a une charge résiduelle suffisante.

**1 LED clignote:**

La batterie est déchargée, chargez la batterie.

**Toutes les LEDs clignent:**

La batterie a été profondément déchargée et est défectueuse. Une batterie défectueuse ne peut plus être utilisée et chargée!

## 7. Utilisation avec le kit de montage du taille-haies

- Vérifiez le fonctionnement de la lame de coupe. Les lames à deux tranchants sont contrebalancées, ce qui leur garantit un rendement élevé et le fonctionnement silencieux.
- Veillez à une position sûre et tenez l'appareil fermement avec les deux mains et à distance de votre propre corps. Avant la mise en marche, veillez à ce que l'appareil ne touche rien.

**Instruction d'utilisation**

- En dehors des haies, le taille-haies peut également être utilisé pour tailler les arbustes et les buissons.
- Vous obtiendrez la meilleure performance de coupe en dirigeant le taille-haies de manière à orienter les dents de la lame à un angle d'env. 15° par rapport à la haie (voir fig. 18).
- Les lames contrebalancées à deux tranchants permettent de tailler dans les deux sens (voir fig. 19).
- Pour obtenir une hauteur de haie homogène, il est recommandé de tendre un fil en guise de cordeau le long de la bordure de haie. Les branches qui dépassent doivent être coupées (voir fig. 20/21).
- Les surfaces latérales d'une haie doivent être taillées par des mouvements circulaires de bas en haut (voir fig. 22).

## 8. Nettoyage, entretien et commande de pièces de rechange

**Danger !**

Retirez la batterie avant tous les travaux de nettoyage et de maintenance.

**8.1 Nettoyage**

- Nettoyez régulièrement le mécanisme tendeur en soufflant dessus avec de l'air comprimé ou en l'époussetant avec une brosse. N'utilisez pas d'outils pour le nettoyage.
- Maintenez les poignées exemptes d'huile pour avoir toujours une bonne prise.
- Ne plongez jamais l'appareil dans l'eau ou d'autres liquides pour le nettoyer.
- Enlevez les dépôts sur les protections à l'aide d'une brosse.
- Gardez les dispositifs de sécurité, les fentes d'aération et le carter du moteur aussi exempts de poussière et de salissures que possible. Frottez l'appareil avec un chiffon propre ou soufflez dessus avec de l'air comprimé à basse pression.
- Nous recommandons de nettoyer l'appareil immédiatement après chaque utilisation.
- Nettoyez l'appareil régulièrement avec un petit chiffon humide et un peu de savon noir. N'utilisez pas de détergents ni de solvants parce qu'ils peuvent attaquer les pièces en plastique de l'appareil. Veillez à ce que l'eau ne pénètre pas à l'intérieur de l'appareil. La pénétration de l'eau dans un appareil électrique augmente le risque de choc électrique.

**8.2 Maintenance**

Pour avoir en permanence les meilleures performances, les lames devraient être régulièrement nettoyées et lubrifiées. Enlevez les dépôts à l'aide d'une brosse et appliquez une légère pellicule d'huile (fig. 23).

**8.3 Commande des pièces de rechange : Service**

1. **Si votre outil électrique doit être réparé, veuillez contacter un distributeur autorisé d'Einhell USA ou appeler le centre de service à la clientèle d'Einhell USA au numéro 1-866-EINHELL (1-866-346-4355).** Seules les pièces de rechange identiques doivent être utilisées pour les réparations. Cela permet de garantir la sécurité de l'outil électrique.

2. **Si le câble du chargeur est endommagé, il doit être immédiatement remplacé pour empêcher un accident.** Pour obtenir de l'assistance, veuillez contacter le centre de service à la clientèle d'Einhell USA® au numéro 1-866-EINHELL (1-866-346-4355).

**Pour un envoi correct d'accumulateurs Li-Ions défectueux/endommagés, nous vous prions de contacter notre service après-vente ou le point de vente où vous avez acheté l'appareil.**

**Veillez à ce que, lors de l'envoi ou de la mise au rebut, les accumulateurs ou les appareils sans fil soit emballés séparément dans des sacs en plastique afin d'éviter les courts-circuits ou un incendie !**

## 9. Élimination et revalorisation

L'appareil se trouve dans un emballage pour empêcher les dommages dus au transport. Cet emballage constitue une matière première et peut par conséquent être réutilisé ou peut être recyclé. L'appareil et ses accessoires sont fabriqués à partir de différents produits, comme p. ex. le métal et les matières plastiques. Ne jetez pas les appareils défectueux dans les déchets ménagers. Pour être éliminé de façon appropriée, l'appareil devrait être déposé à un lieu de collecte approprié. Si vous ne connaissez aucun lieu de collecte, informez-vous auprès de l'administration municipale.

## 10. Conservation

Conservez l'appareil et ses accessoires dans un endroit sombre, sec et exempt de gel ainsi que hors la portée des enfants. La température de conservation optimale se situe entre 41 °F et 86 °F (5 °C et 30 °C). Conservez l'outil électrique dans l'emballage d'origine.

Une réimpression ou toute autre reproduction de la documentation et des documents accompagnant les produits, même par extraits, ne sont autorisées qu'avec accord exprès d'Einhell Germany AG.

Sous réserve des modifications techniques.

## 11. Plan de dépannage

### **Danger !**

Mettre à l'arrêt et retirer la batterie avant le dépannage.

Le tableau ci-dessous présente des symptômes de défauts et décrit la procédure à suivre en cas de dysfonctionnement de votre appareil. Si cela ne vous aide pas à localiser et supprimer le problème, adressez-vous à votre atelier de service.

<b>Dysfonctionnement</b>	<b>Cause possible</b>	<b>Réparation</b>
L'appareil ne fonctionne pas	<ul style="list-style-type: none"><li>- Batterie vide</li><li>- Batterie mal insérée</li></ul>	<ul style="list-style-type: none"><li>- Charger la batterie</li><li>- Retirer et réinsérer la batterie</li></ul>
L'appareil fonctionne par intermittence	<ul style="list-style-type: none"><li>- Mauvais contact externe</li><li>- Mauvais contact interne</li><li>- Interrupteur marche / arrêt défectueux</li></ul>	<ul style="list-style-type: none"><li>- Faire appel à l'atelier spécialisé</li><li>- Faire appel à l'atelier spécialisé</li><li>- Faire appel à l'atelier spécialisé</li></ul>

Si l'appareil ne fonctionne pas malgré les mesures de dépannage et la présence de tension, veuillez contacter le service à la clientèle, voir le point 8.3.



## PROMESSE D'EINHELL À SES CLIENTS

**LA QUALITÉ PRIME.** Le nom d'Einhell est synonyme des outils performants et de la fabrication européenne de haute qualité. Des perceuses sans fil aux tondeuses à gazon électriques, Einhell USA conçoit et développe des outils électriques et de jardinage à main de pointe pour les bricoleurs, jardiniers amateurs et réparateurs.

Les équipes d'assurance de la qualité et d'ingénieurs d'Einhell USA garantissent que les produits subissent de sévères tests de qualité et de performance. Nous savons que parfois les outils solides traversent les époques dures. Si jamais vous avez un problème avec votre produit, soyez sûr que nous ferons tout notre possible pour vous rendre un outil prêt à travailler aussi dur que vous.

### ENREGISTREMENT DU PRODUIT :

Einhell vous encourage vivement d'enregistrer votre achat. Vous pouvez enregistrer en ligne sur **EinhellUSA.com**. Si vous n'enregistrez pas le produit que vous avez acheté, cela n'affectera pas vos droits de garantie. Toutefois, si vous enregistrez votre achat, Einhell pourra mieux vous servir pour tous vos besoins de client.

### QU'EST-CE QUI EST COUVERT ?

Einhell garantit au propriétaire que si cet appareil a un problème pendant une période de 2 ans à partir de la date d'achat à cause d'un défaut de matériau ou de fabrication ou en raison de l'usure normale au cours d'un usage domestique normal, Einhell enverra une pièce ou un produit de rechange, au besoin, gratuitement et sans frais de port à l'acheteur initial. Si, à la seule discrétion d'Einhell, l'appareil défectueux ne peut pas être réparé avec une pièce, Einhell soit (A) enverra gratuitement et sans frais de port un nouvel appareil, soit (B) remboursera au propriétaire la totalité du prix d'achat.

### QUI PEUT SOLLICITER LA COUVERTURE DE GARANTIE ?

Cette garantie est consentie par Einhell au propriétaire de cet appareil (un « appareil » consiste en un produit alimenté par un moteur) pour un usage domestique personnel exclusivement. Cette garantie est limitée aux trente (30) jours à compter de l'achat initial de tout produit de marque EINHELL utilisé à des fins commerciales ou à d'autres fins lucratives. Si la propriété de cet appareil change pendant la période couverte, veuillez mettre à jour l'information relative au propriétaire de l'appareil sur **EinhellUSA.com**

### QU'EST-CE QUI N'EST PAS COUVERT ?

Cette garantie ne couvre pas les produits ayant fait l'objet d'un usage abusif ou négligent, d'un manque d'entretien, ayant été impliqués dans un accident ou employés d'une façon contraire au mode d'emploi, comme c'est spécifié dans le guide d'utilisation. Cette

garantie ne couvre pas les modifications superficielles n'affectant pas la performance.

Cette garantie n'est valable que si l'appareil est utilisé et entretenu conformément aux instructions, avertissements et mises en garde figurant dans le manuel du propriétaire. Einhell ne sera pas responsable du coût des réparations de garantie non autorisées. Cette garantie ne couvre pas les coûts et dépenses engagés par l'acheteur pour se procurer un équipement ou un service de substitution pendant les périodes raisonnables de dysfonctionnement ou de non-utilisation de ce produit dans l'attente d'une pièce ou d'une unité de rechange en vertu de cette garantie.

Les pièces d'usure, comme les courroies, les vis sans fin, les chaînes et les dents, ne sont pas couvertes par cette garantie et peuvent être achetées sur **EinhellUSA.com** ou en appelant au numéro **1-866-EINHELL (1-866-346-4355)**. Les batteries sont entièrement couvertes pendant 90 jours à partir de la date d'achat.

La réparation, le remplacement et le remboursement du prix d'achat sont les seuls moyens de l'acheteur et la seule responsabilité d'Einhell au titre de cette garantie. Les employés et les représentants d'Einhell ne sont pas autorisés à concéder une garantie supplémentaire ni à apporter une modification de cette garantie susceptible d'engager Einhell. Par conséquent, l'acheteur ne devrait pas se fier aux déclarations supplémentaires faites par un employé ou un représentant d'Einhell. En aucun cas, sur la base d'un contrat, d'une indemnisation, d'une garantie, d'un tort (y compris la négligence), d'une responsabilité sans faute, etc., Einhell ne sera responsable des dommages spécifiques, indirects, accessoires ou consécutifs, y compris mais sans s'y limiter la perte de bénéfices ou de revenus.

Certains États n'autorisent pas de limitations aux garanties. Dans tels États, les limitations ci-dessus pourraient ne pas s'appliquer à vous.

D'autres garanties peuvent s'appliquer en dehors des États-Unis et le Canada.





A series of horizontal lines for writing, starting from the pencil tip and extending across the page.







A series of horizontal lines for writing, starting with two lines that are slightly indented from the left margin, followed by a continuous series of lines down to the bottom of the page.



[www.EinhellUSA.com](http://www.EinhellUSA.com)

EH 07/2021 (01)