



280W

MULTI SANDER



INSTRUCTION MANUAL

MODEL NUMBER RT-XS 28

AFTER SALES SUPPORT

TEL: 1300 922 271

EMAIL: service.australia@einhell.com

✓ N26704

1 Multi Sander

What your 3 year warranty means

Great care has gone into the manufacture of this product and it should therefore provide you with years of good service when used properly. In the event of product failure within its intended use over the course of the first 3 year after the date of purchase, we will remedy the problem as quickly as possible once it has been brought to our attention. In the unlikely event of such an occurrence, or if you require any information about the product, please contact us via our after sales support services, details of which can be found in this manual and on the product itself.

Welcome Section

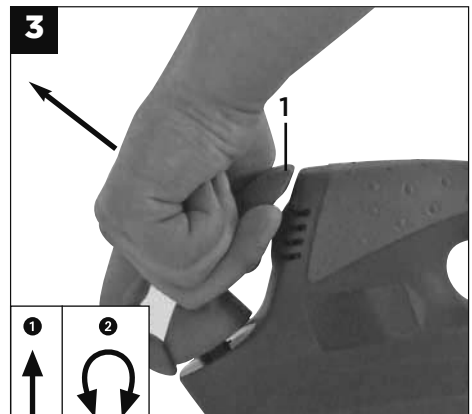
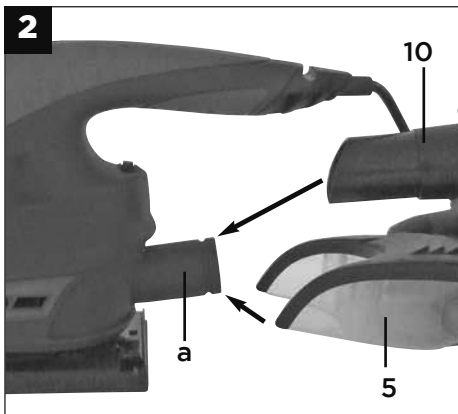
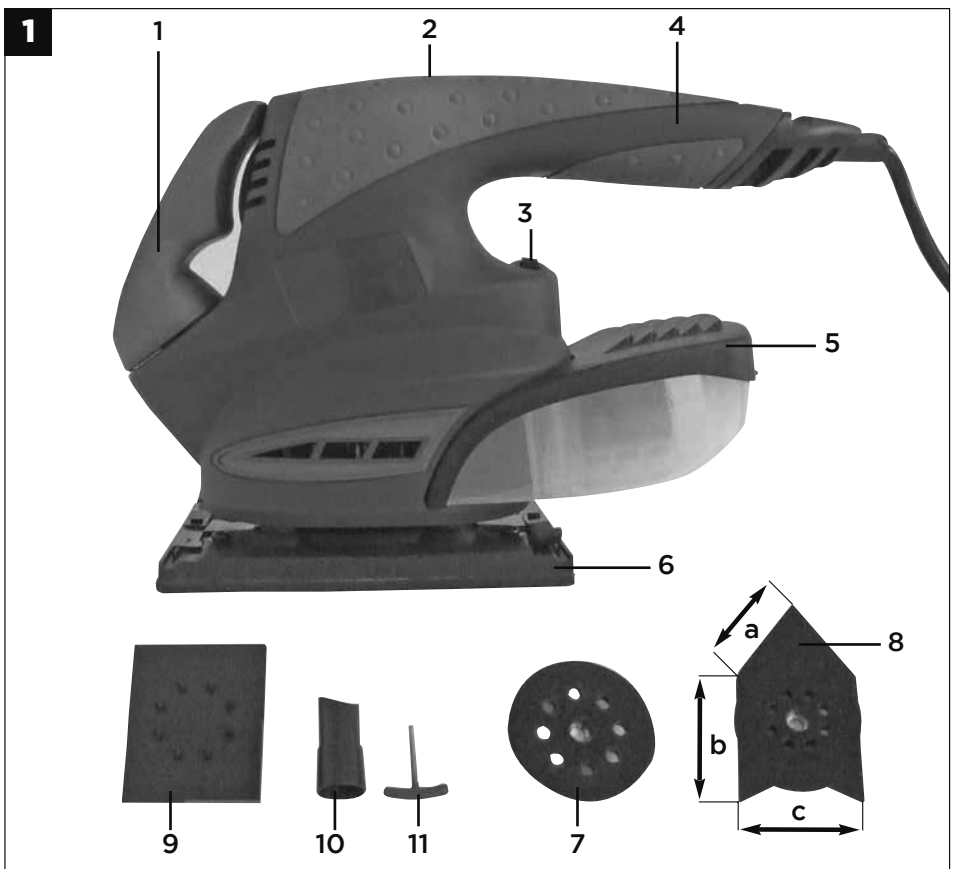
Congratulations on choosing to buy a TAURUS TITANIUM® product.

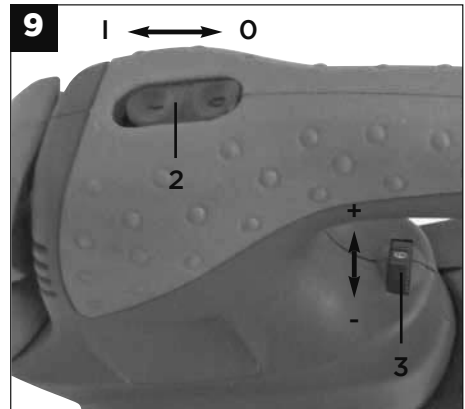
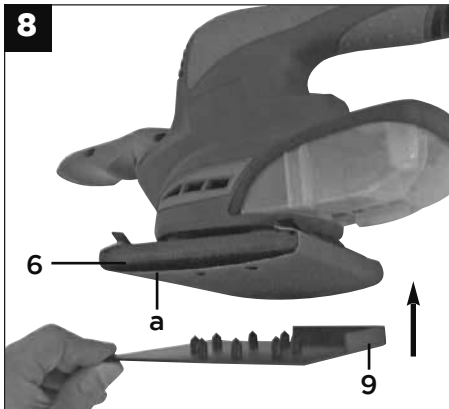
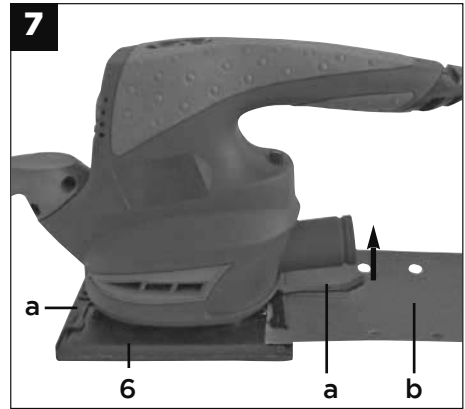
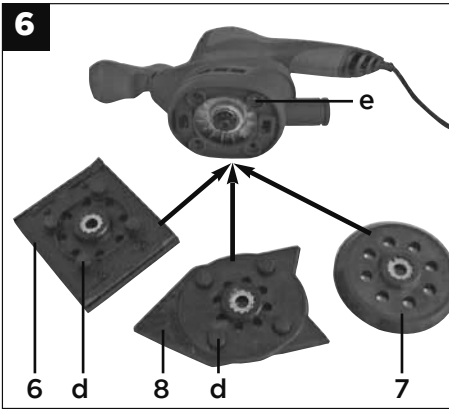
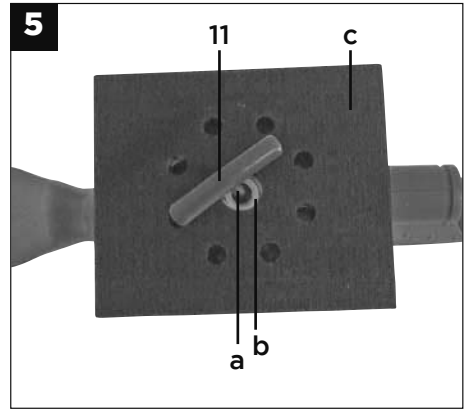
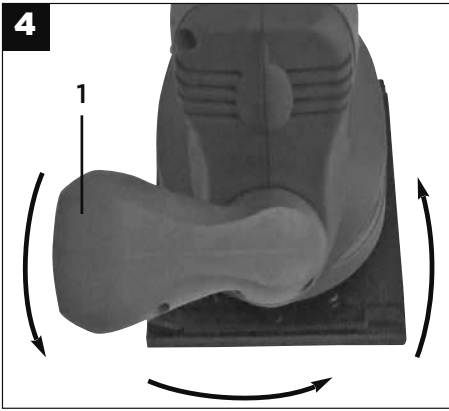
All products brought to you by TAURUS TITANIUM® are manufactured to the highest standards of performance and safety, and, as part of our philosophy of customer service and satisfaction, are backed by our comprehensive 3 Year Warranty.

We hope you will enjoy using your purchase for many years to come.

Table of Contents

1. General Safety Rules	Pg. 4
2. Safety regulations	Pg. 5
3. Layout	Pg. 6
4. Proper use	Pg. 6
5. Technical data	Pg. 7
6. Before starting the equipment	Pg. 7
7. Operation	Pg. 8
8. Cleaning and maintenance	Pg. 9
9. Disposal and recycling	Pg. 9
10. Storage	Pg. 9





1. GENERAL SAFETY RULES

WARNING! Read all instructions. *Failure to follow all instructions listed below may result in electric shock, fire and/or serious injury. The term "power tool" in all of the warnings listed below refers to your mains-operated (corded) power tool or battery-operated (cordless) power tool.*

SAVE THESE INSTRUCTIONS

1. Work area

- Keep work area clean and well lit.** *Cluttered and dark areas invite accidents.*
- Do not operate power tools in explosive atmospheres, such as in the presence of flammable liquids, gases or dust.** *Power tools create sparks which may ignite the dust or fumes.*
- Keep children and bystanders away while operating a power tool.** *Distractions can cause you to lose control.*

2. Electrical safety

- Power tools plugs must match the outlet. Never modify the plug in any way.** *Do not use any adapter plugs with earthed (grounded) power tool. Unmodified plugs and matching outlets will reduce risk of electric shock.*
- Avoid body contact with earthed or grounded surfaces such as pipes, radiators, ranges and refrigerators.** *There is an increased risk of electric shock if your body is earthed or grounded.*
- Do not expose power tools to rain or wet conditions.** *Water entering a power tool will increase the risk of electric shock.*
- Do not abuse the cord. Never use the cord for carrying, pulling or unplugging the power tool. Keep cord away from heat, oil, sharp edges or moving parts.** *Damaged or entangled cords increase the risk of electric shock.*
- When operating a power tool outdoors, use an extension cord suitable for outdoor use.** *Use of a cord suitable for outdoor use reduces the risk of electric shock.*

3. Personal safety

- Stay alert, watch what you are doing and use common sense when operating a power tool. Do not use a power tool while you are tired or under the influence of drugs, alcohol or medication.** *A moment of inattention while operating power tools may result in serious personal injury.*
- Use safety equipment. Always wear eye protection.** *Safety equipment such as dust mask, non-skid safety shoes, hard hat, or hearing protection used for appropriate conditions will reduce personal injuries.*
- Avoid accidental starting. Ensure the switch is in the off-position before plugging in.** *Carrying power tools with your finger on the switch or plugging in power tools that have the switch on invites accidents.*

- Remove any adjusting key or wrench before turning the power tool on.** *A wrench or a key left attached to rotating part of the power tool may result in personal injury.*
- Do not overreach. Keep proper footing and balance at all times.** *This enables better control of the power tool in unexpected situations.*
- Dress properly. Do not wear loose clothing or jewellery. Keep your hair, clothing and gloves away from moving parts.** *Loose clothes, jewellery or long hair can be caught in moving parts.*
- If devices are provided for the connection of dust extraction and collection facilities, ensure these are connected and properly used.** *Use of these devices can reduce dust-related hazards.*

4. Power tool use and care

- Do not force the power tool. Use the correct power tool for your application.** *The correct power tool will do the job better and safer at the rate for which it was designed.*
 - Do not use the power tool if the switch does not turn it on and off.** *Any power tool that cannot be controlled with the switch is dangerous and must be repaired.*
 - Disconnect the plug from the power source and/ or the battery pack from the power tool before making any adjustments, changing accessories, or storing power tools.** *Such preventive safety measures reduce the risk of starting the power tool accidentally.*
 - Store idle power tools out of the reach of children and do not allow persons unfamiliar with the power tool or these instructions to operate the power tool.** *Power tools are dangerous in the hands of untrained users.*
 - Maintain power tools. Check for misalignment or binding of moving parts, breakage of parts and any other condition that may affect the power tools operation. If damaged, have the power tool repaired before use.** *Many accidents are caused by poorly maintained power tools.*
 - Keep cutting tools sharp and clean.** *Properly maintained cutting tools with sharp cutting edges are less likely to bind and are easier to control.*
 - Use the power tool, accessories and tool bits etc. in accordance with these instructions and in the manner intended for the particular type of power tool, taking into account the working conditions and the work to be performed.** *Use of the power tool for operations different from those intended could result in a hazardous situation.*
- ### 5. Service
- Have your power tool serviced by a qualified repair person using only identical replacement parts.** *This will ensure that the safety of the power tool is maintained.*

6. Recommendation

We recommend that the tool always be supplied via a residual current device with a rated residual current of 30 mA or less.

Sander Safety Warnings

- a. **Wear ear protectors when sanding.** *Exposure to noise can cause hearing loss. NOTE: The above warning applies only to sanders and may be omitted for tools, other than sanders.*
- b. **Use auxiliary handle(s), if supplied with the tool.** *Loss of control can cause personal injury.*
- c. **Hold power tool by insulated gripping surfaces, when performing an operation where sanding accessory may contact hidden wiring or its own cord.** *Sanding accessory contacting a "live" wire may make exposed metal parts of the power tool "live" and could give the operator an electrical shock.*

Do not loose this safety information.



"Caution - Read the operating instructions to reduce the risk of injury"



Wear ear-muffs.

The impact of noise can cause damage to hearing.



Wear a breathing mask.

Dust which is injurious to health can be generated when working on wood and other materials.

Never use the device to work on any materials containing asbestos!



Wear safety goggles.

Sparks generated during working or splinters, chips and dust emitted by the device can cause loss of sight.

Important!

When using equipment, a few safety precautions must be observed to avoid injuries and damage. Please read the complete operating manual with due care. Keep this manual in a safe place, so that the information is available at all times. If you give the equipment to any other person, give them these operating instructions as well. We accept no liability for damage or accidents which arise due to non-observance of these instructions and the safety information.

2. Safety regulations:

CAUTION

Read all safety regulations and instructions. Any errors made in following the safety regulations and instructions may result in an electric shock, fire and/or serious injury. Keep all safety regulations and instructions in a safe place for future use.

1. **Keep your work area tidy.** Untidiness in the workplace can lead to risk of accidents.
2. **Take into account influences from the surrounding environment.** Do not expose electrical appliances to rain. Do not use electric tools in damp or wet environments. Provide good lighting. Do not use electric tools near flammable liquids or gases.
3. **Protect against electric shock.** Avoid bodily contact with earthed parts, for example pipes, heaters, ovens and fridges.
4. **Keep other people away!** Do not let other people, especially children gain access to the tool or cable, keep them away from your workplace.
5. **Store the equipment safely and securely.** Unused equipment must be stored in a dry, locked room, out of the reach of children.
6. **Do not overburden the tool.** It will work better and safer when used within its quoted capacity range.
7. **Use the correct tool.** Do not use weak tools or attachments for heavy duty work. Never use the electric tool for purposes other than that for which it is designed, for example do not use the hand-held circular saw to cut down trees or branches.
8. **Wear suitable work clothes.** Do not wear loose clothing or jewellery. It could get caught in moving parts. Rubber gloves and non-slip shoes are recommended when working outdoors. If you have long hair, wear a hair-net.
9. **Wear safety goggles.** Use a dust mask when working on dusty jobs.
10. **Do not use the cable for purposes other than that for which it is designed.** Do not carry the tool by the cable and do not use it to pull the plug out of the socket. Do not carry the charger by the cable and do not use it to pull the plug out of the socket.
11. **Secure the workpiece.** Use clamps or a vice to hold the workpiece securely. This is safer than using your hand, and also makes it possible to use the machine with both hands.
12. **Take care to ensure that your feet are a stable distance apart.** Avoid abnormal working postures. Make sure you stand squarely and keep your balance at all times.
13. **Take good care of your tools.** Keep your tools sharp and clean to keep them working safely and efficiently. Observe the maintenance instructions and the notes about changing tools. Check the plug and cable regularly, and if they are damaged, have them replaced by a certified expert. Check extension leads regularly and replace these if damaged. Keep handles dry, clean and free from oil and grease.
14. **Disconnect the power plug.** When not in use, before maintenance work or when changing tools, such as saw blade, drill and machine tools of any kind.

15. **Always remove keys and wrenches after use.** Before switching on, make sure that all keys and wrenches have been removed from the tool.
16. **Avoid unsupervised operation.** Never carry mains-powered tools with your finger on the switch. Make sure the switch is OFF when connecting the tool to the mains.
17. **Outdoor use of extension cables.** For outdoor use, only use approved and appropriately labelled extension cables.
18. **Be alert at all times.** Observe your work. Work carefully. Never use the electric tool when you are distracted.
19. **Check the appliance for damage.** Before using the equipment further, check that safety equipment or slightly damaged parts are in good working order and function correctly. Check that the moving parts are working correctly, that they do not jam, and that no parts are damaged. Make sure that all parts are fitted correctly, to ensure that the equipment remains safe to use. Damaged safety devices and parts must be repaired or replaced by experts in a customer service workshop, unless otherwise stated in the manual. Damaged switches must be replaced by a customer service workshop. Do not use equipment for which the on-off switch does not correctly function.
20. **Important!** For your own safety, only use accessories and auxiliaries which are stated in the operating instructions or which have been recommended or indicated by the manufacturer. Use of any other attachments or accessories than those stated in the operating instructions or in the catalogue could lead to personal injury.
21. **Repairs should only be done by an expert.** This electric tool complies with the pertinent safety regulations. Repair work may only be carried out by an electrician. Otherwise there is a risk of accidents for the operator.
22. **Attach the dust extraction system.** If there are apparatuses available for the attachment of the dust extraction system, make sure these are connected and used.

3. Layout

1. Additional handle
2. Operating switch
3. Speed controller
4. Handle
5. Dust container
6. Rectangular sanding/grinding plate
7. Eccentric sanding/grinding plate
8. Triangular sanding/grinding plate
9. Punch for sanding/grinding paper
10. Chip extractor adapter
11. Allen key


4. Proper use

The equipment is designed for the grinding/sanding of wood, iron, plastic and similar materials using the appropriate grinding/sanding paper. The machine is not suitable for wet grinding/sanding.

The equipment is to be used only for its prescribed purpose. Any other use is deemed to be a case of misuse. The user / operator and not the manufacturer will be liable for any damage or injuries of any kind caused as a result of this.

Please note that our equipment has not been designed for use in commercial, trade or industrial applications. Our warranty will be voided if the machine is used in commercial, trade or industrial businesses or for equivalent purposes.

7 5. Technical data

Mains voltage:	230 V ~ 50Hz
Power input:	280W
Orbits:	0 - 10,000rpm
Protection class:	Class II / 
Weight:	2.2 kg

Rectangular sanding/grinding plate:

Grinding/sanding area:	140 x 115mm
Abrasive paper size (Velcro fastening system)	140 x 115mm
Abrasive paper size (Clamping system)	180 x 115mm

Eccentric sanding/grinding plate:

Grinding/sanding area:	∅ 125mm
Abrasive paper size	∅ 125mm

Triangular sanding/grinding plate:

Grinding/sanding area:	82 x 109 x 106mm (a x b x c; Fig. 1)
------------------------	---

Sound and vibration

Sound and vibration values were measured in accordance with EN 60745

L _{PA} sound pressure level	80 dB(A)
K _{PA} uncertainty	3 dB
L _{WA} sound power level	91 dB(A)
K _{WA} uncertainty	3 dB

Wear ear-muffs.

The impact of noise can cause damage to hearing.

Total vibration values (vector sum of three directions) determined in accordance with EN 60745.

Vibration emission value a^h = 14.495 m/s²
K uncertainty = 1.5 m/s²

Additional information for electric power tools

Warning!

The specified vibration value was established in accordance with a standardized testing method. It may change according to how the electric equipment is used and may exceed the specified value in exceptional circumstances.

The specified vibration value can be used to compare the equipment with other electric power tools. The specified vibration value can be used for initial assessment of a harmful effect.

Keep the noise emissions and vibrations to a minimum.

- Only use appliances which are in perfect working order.
- Service and clean the appliance regularly.
- Adapt your working style to suit the appliance.
- Do not overload the appliance.
- Have the appliance serviced whenever necessary.
- Switch the appliance off when it is not in use.
- Wear protective gloves.

Residual risks

Even if you use this electric power tool in accordance with instructions, certain residual risks cannot be ruled out. The following hazards may arise in connection with the equipment's construction and layout:

1. Lung damage if no suitable protective dust mask is used.
2. Damage to hearing if no suitable ear protection is used.
3. Health damage caused by hand-arm vibrations if the equipment is used over a prolonged period or is not properly guided and maintained.
4. Damage to eye sight if no suitable eye protection is used.

Warning! The electric power tool generates an electromagnetic field during operation. Under certain circumstances this field may actively or passively impede medical implants. To reduce the risk of serious or fatal injuries, we recommend persons with medical implants to consult their doctor and the manufacturer of the medical implant prior to using the equipment.

6. Before starting the equipment

Before you connect the equipment to the mains supply make sure that the data on the rating plate are identical to the mains data.

Always pull the power plug before making adjustments to the equipment.

6.1 Installing the dust container (Figure 2/Item 5)

- Slip the dust container (5) onto the vacuumcleaner connector (a).
- The dust is extracted directly through the grinding/sanding paper and the grinding/sanding plate and into the dust container.

6.2 Installing the dust extractor adapter (Figure 2/Item 10)

Slip the dust extractor adapter (10) onto the vacuum cleaner connector (a) as shown in Figure 2. Connect the dust extractor adapter to a suitable dust extraction system.

Important.

For health safety reasons it is imperative that you use a dust container or a dust extraction system.

6.3 Adjusting the additional handle (Fig. 3/4)

- The additional handle engages in 4 positions (90° steps).
- Pull the additional handle upwards (1). (Fig. 3)
- Turn the additional handle (1) into the required working position. (Fig. 4)
- Let go of the additional handle.
- Ensure that the additional handle is securely engaged in the required position.

6.4 Fitting/removing the sanding/grinding plates (Fig. 5/6)

- Use the Allen key (11) to remove the Allen screw (a) and the washer (b) (Fig. 5).
- Then remove the sanding/grinding plate (c) (Fig. 5).
- To assemble, proceed in reverse order.
- When fitting the sanding/grinding plate (6 / 8) make sure that the 4 rubber stoppers (d) are inserted into the corresponding mounts (e). (Fig. 6)
- Check that the sanding/grinding plate is secure.

6.5 Rectangular sanding/grinding plate (Fig. 6/7/8)

Fit the rectangular sanding/grinding plate (6) to use the equipment as an orbital sander/grinder.

6.5.1 Fastening the sanding/grinding paper with a clamping system)

Use of sanding/grinding paper with the corresponding dimensions and perforations (Fig. 7):

- Press the lever (a) upwards.
- Insert the sanding/grinding paper (b) into the open clamp and close the clamp.
- Lay the sanding/paper over the oscillating plate so that the paper is taut and clamp it again.
- Make sure that the perforations in the sanding/grinding paper coincide with the oscillating plate.

Use of sanding/grinding paper without the appropriate dimensions and perforations (Fig. 7/8):

- Cut the sanding/grinding paper to fit the corresponding dimensions.
- Fit the sanding/grinding paper to the sanding/grinding plate as described above.

- Place the rectangular sanding/grinding plate (6) together with the fitted sanding/grinding paper (a) onto the punch (9) for the sanding/grinding paper). (Fig. 8)
- Now punch the required holes into the sanding/grinding paper.
- Remove the punch (9) from the sanding/grinding plate (6).
- Check the correct position of the punch holes in the sanding/grinding paper plate.

6.5.2 Fastening the sanding/grinding paper with Velcro fastening system

The Velcro fastener enables easy changing of sanding/grinding paper. Make sure that the extraction holes on the sanding/grinding paper and the sanding/grinding disk are aligned.

6.6 Triangular sanding/grinding plate (Fig. 6)

Fit the triangular sanding/grinding plate (8) to use the equipment as delta sander/grinder.

Fastening the sanding/grinding paper:

The Velcro fastener enables easy changing of sanding/grinding paper. Make sure that the vacuum extraction holes on the sanding/grinding paper and the sanding/grinding disk are aligned.

6.7 Eccentric sanding/grinding plate (Fig. 6)

Fit the eccentric sanding/grinding plate (7) to use the equipment as eccentric sander/grinder.

Fastening the sanding/grinding paper:

The Velcro fastener enables easy changing of sanding/grinding paper. Make sure that the vacuum extraction holes on the sanding/grinding paper and the sanding/grinding disk are aligned.

7. Operation

7.1 Switching the equipment ON/OFF (Fig. 9/Item 2)

To switch on: Slide the ON/OFF switch (2) forwards (position I)

To switch off: Slide the ON/OFF switch (2) backwards (position 0)

7.2 Speed control (Fig. 7/Item 3)

To pre-select the speed turn the knurled screw (3) on the switch.

Plus Direction: High Speed
Minus Direction: Lower Speed

9 7.3 Working with the equipment:

Important. Never hold the workpiece you wish to sand/grind in your hand. Secure the workpiece on a sturdy surface or with a vice.

- Place the whole surface area of the sanding disk on the material.
- Switch on the machine and move it with gentle pressure over the workpiece completely circular movements or moving it to and fro and up and down.
- Use a coarse paper for **coarse sanding** and a finer paper for **finish sanding**. You can find the best paper for the job by means of testing.

Important.

The dust generated when working with the machine may be harmful.

- Always wear goggles and a dust mask when carrying out sanding/grinding work.
- Everybody who uses the machine or enters the workplace must wear a dust mask.
- Do not eat, drink or smoke at the workplace.
- Do not use the machine on paints which contain lead.

8. Cleaning and maintenance

Always pull out the mains power plug before starting any cleaning work.

8.1 Cleaning

- Keep all safety devices, air vents and the motor housing free of dirt and dust as far as possible.
- Wipe the equipment with a clean cloth or blow it with compressed air at low pressure.
- We recommend that you clean the device immediately each time you have finished using it.
- Clean the equipment regularly with a moist cloth and some soft soap. Do not use cleaning agents or solvents; these could attack the plastic parts of the equipment. Ensure that no water can seep into the device.

8.2 Carbon brushes

In case of excessive sparking, have the carbon brushes checked only by a qualified electrician. **Important!** The carbon brushes should not be replaced by anyone but a qualified electrician.

8.3 Maintenance

There are no parts inside the equipment which require additional maintenance.

9. Disposal and recycling

The unit is supplied in packaging to prevent its being damaged in transit. This packaging is raw material and can therefore be reused or can be returned to the raw material system.

The unit and its accessories are made of various types of material, such as metal and plastic.

Defective components must be disposed of as special waste. Ask your dealer or your local council.

10. Storage

Store the equipment and accessories out of children's reach in a dark and dry place at above freezing temperature. The ideal storage temperature is between 5 and 30 °C. Store the electric tool in its original packaging.

06/2013

Art.Nr: 44.191.33_11033