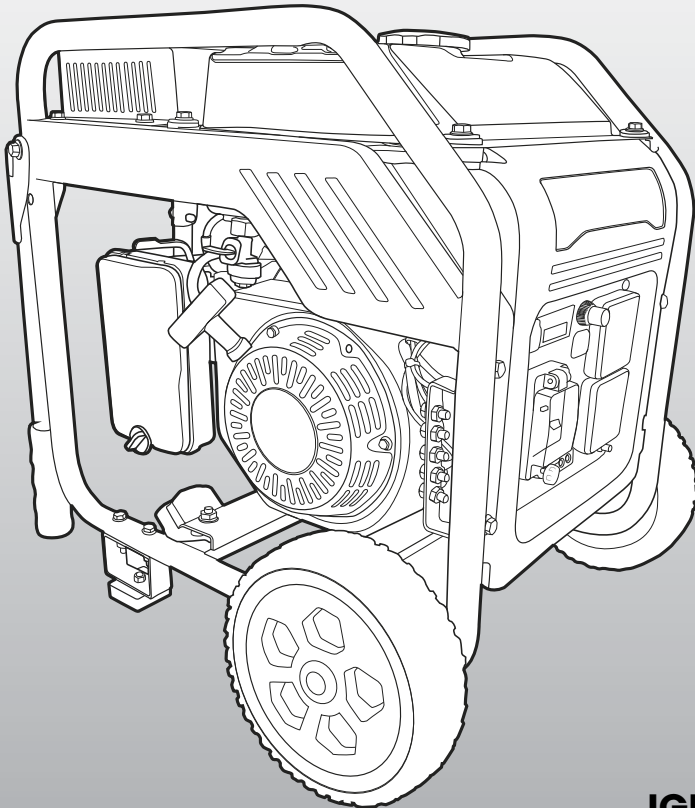


ozito

PETROL INVERTER GENERATOR

2500W

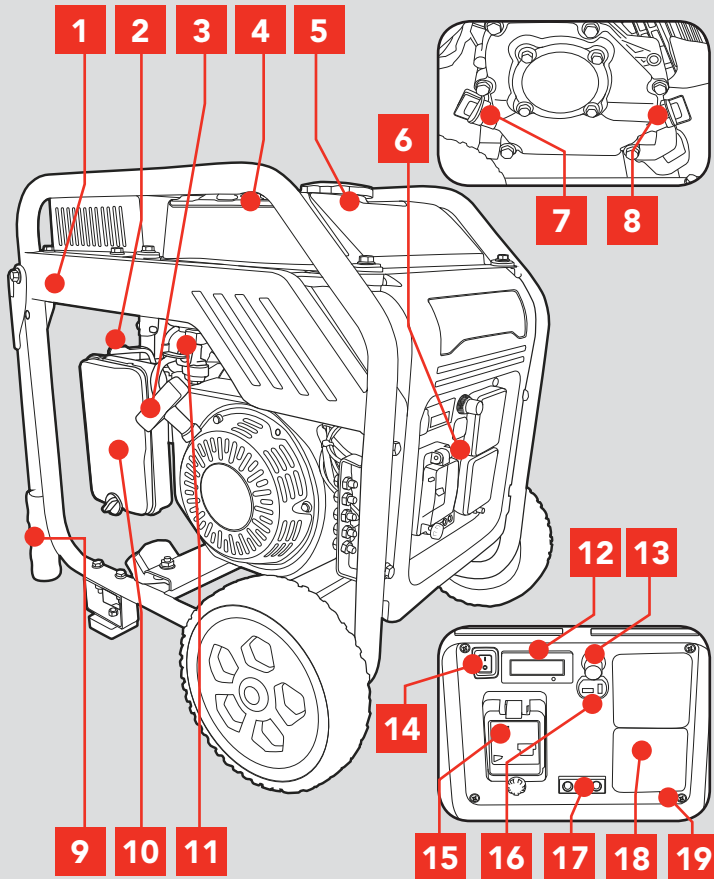
ASSEMBLY & SAFETY WARNINGS



KNOW YOUR PRODUCT

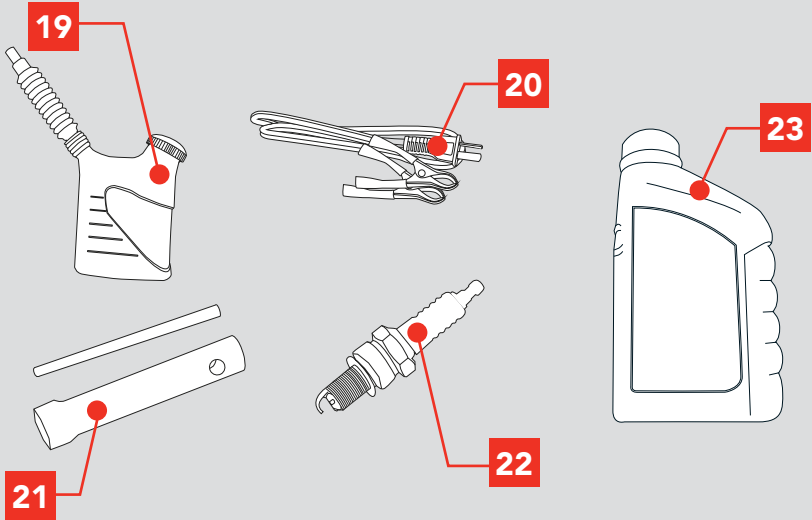
INVERTER GENERATOR

1. Frame
2. Choke
3. Recoil Starter
4. Fuel Gauge
5. Fuel Tank Cap
6. Control Panel
7. Oil Dipstick
8. Oil Fill Port
9. Transport Handle
10. Air Filter
11. Fuel Tap
12. Display Meter
13. DC Overload Reset
14. Engine On/Off Switch
15. RCBO / AC Power Switch
16. 12Volt DC Outlet
17. Status LEDs
18. AC Socket x 2
19. Grounding Terminal



TOOLS&ACCESSORIES

- 19. Oil Filler Bottle
- 20. Battery Charging Cable
- 21. Spark Plug Wrench
- 22. Spare Spark Plug
- 23. Generator Oil



CONTENTS

Know Your Product.....	Page 2-3
Assembly Procedure.....	Page 4-6
Safety Warnings for Generators.....	Page 7-12

ASSEMBLY

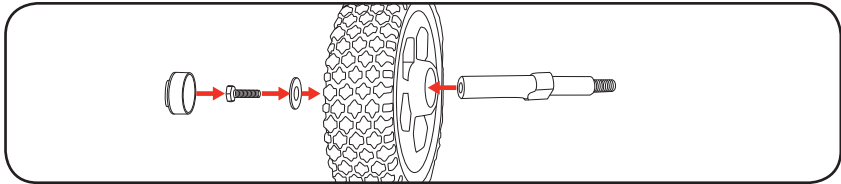


WARNING! DURING ASSEMBLY ENSURE THE GENERATOR IS SWITCHED OFF.

1. Carefully remove contents from the packaging.
2. Select a firm, level surface on which to assemble the generator.

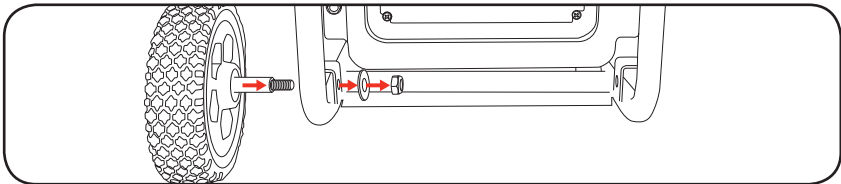
Fitting the Wheels

1. Assemble one wheel onto the large diameter end of the wheel shaft, ensuring the side of the wheel with the raised centre faces the middle of the shaft. Place the washer into the wheel hub and then screw the bolt tightly into the wheel shaft. You can then place the wheel cap over the bolt head.

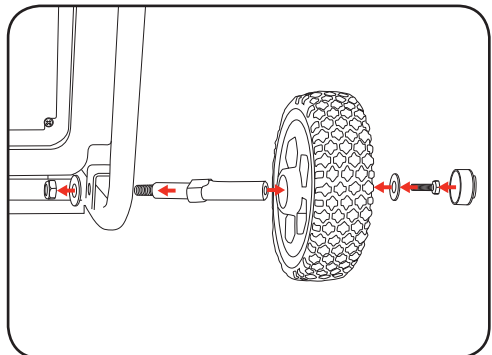


2. Insert the other end of the wheel shaft through the mounting holes in the frame and tighten the nut onto the shaft using 15mm and 17mm spanner.

Note: Do not over tighten this nut causing the wheel to not rotate.

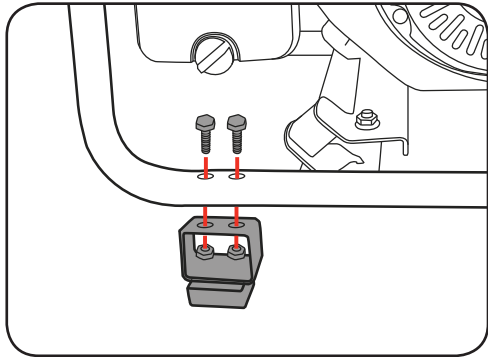


3. Repeat this process for the second wheel.



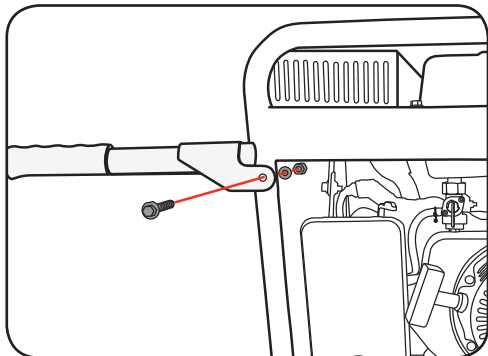
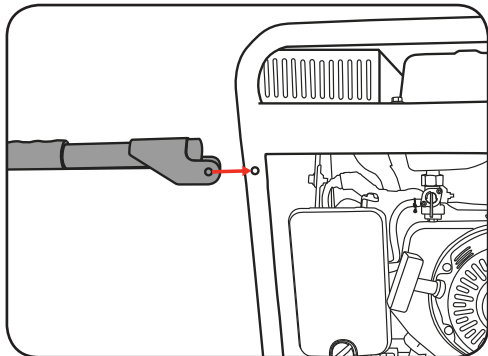
Fitting the Support Feet

1. Place the support foot under the frame aligning with the holes in the side frame. Insert the support foot bolts through the holes and fasten tightly with the nut.
2. Repeat this step with the second support foot on the other side.



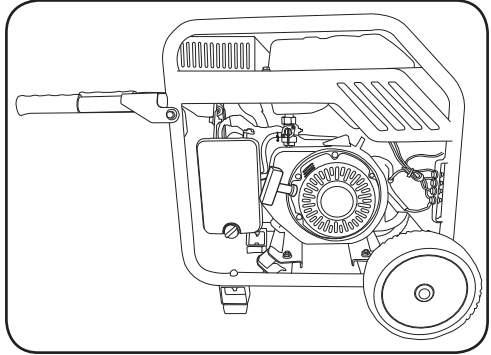
Fitting the Transport Handles

1. Align the hole of the transport handle bracket with the hole in the frame as you push the bracket over the frame.
2. Insert the handle bolt from the outside through the bracket and frame ensuring that the plastic washers are inserted between the bracket and frame. Fasten each bolt to the frame in position with the nut provided.



3. Repeat the above steps for the second handle.

4. The transport handle will pivot allowing it to hang out of the way when not in use. These handles can be used to transport the generator easily.





GENERAL POWER TOOL SAFETY WARNINGS

NOTE: The following warnings apply when using power tools with the generator supply.



WARNING! Read all safety warnings and all instructions. Failure to follow the warnings and instructions may result in electric shock, fire and/or serious injury.

Save all warnings and instructions for future reference. The term "power tool" in the warnings refers to your mains-operated (corded) power tool or battery-operated (cordless) power tool.

1. Work area safety

- a. **Keep work area clean and well lit.** Cluttered or dark areas invite accidents.
- b. **Do not operate power tools in explosive atmospheres, such as in the presence of flammable liquids, gases or dust.** Power tools create sparks which may ignite the dust or fumes.
- c. **Keep children and bystanders away while operating a power tool.** Distractions can cause you to lose control.

2. Electrical safety

- a. **Power tool plugs must match the outlet. Never modify the plug in any way. Do not use any adapter plugs with earthed (grounded) power tools.** Unmodified plugs and matching outlets will reduce risk of electric shock.
- b. **Avoid body contact with earthed or grounded surfaces, such as pipes, radiators, ranges and refrigerators.** There is an increased risk of electric shock if your body is earthed or grounded.
- c. **Do not expose power tools to rain or wet conditions.** Water entering a power tool will increase the risk of electric shock.
- d. **Do not abuse the cord. Never use the cord for carrying, pulling or unplugging the power tool. Keep cord away from heat, oil, sharp edges or moving parts.** Damaged or entangled cords increase the risk of electric shock.
- e. **When operating a power tool outdoors, use an extension cord suitable for outdoor use.** Use of a cord suitable for outdoor use reduces the risk of electric shock.

3. Personal safety

- a. **Stay alert, watch what you are doing and use common sense when operating a power tool. Do not use a power tool while you are tired or under the influence of drugs, alcohol or medication.** A moment of inattention while operating power tools may result in serious personal injury.
- b. **Use personal protective equipment. Always wear eye protection.** Protective equipment such as dust mask, non-skid safety shoes, hard hat, or hearing protection used for appropriate conditions will reduce personal injuries.
- c. **Prevent unintentional starting. Ensure the switch is in the off-position before connecting to power source and/or battery pack, picking up or carrying the tool.** Carrying power tools with your finger on the switch or energising power tools that have the switch on invites accidents.
- d. **Remove any adjusting key or wrench before turning the power tool on.** A wrench or a key left attached to a rotating part of the power tool may result in personal injury.
- e. **Do not overreach. Keep proper footing and balance at all times.** This enables better control of the power tool in unexpected situations.
- f. **Dress properly. Do not wear loose clothing or jewellery. Keep your hair, clothing and gloves away from moving parts.** Loose clothes, jewellery or long hair can be caught in moving parts.
- g. **If devices are provided for the connection of dust extraction and collection facilities, ensure these are connected and properly used.** Use of dust collection can reduce dust-related hazards.
- h. **Do not let familiarity gained from frequent use of tools allow you to become complacent and ignore tool safety principles.** A careless action can cause severe injury within a fraction of a second.

4. Power tool use and care

- a. **Do not force the power tool. Use the correct power tool for your application.** The correct power tool will do the job better and safer at the rate for which it was designed.
- b. **Do not use the power tool if the switch does not turn it on and off.** Any power tool that cannot be controlled with the switch is dangerous and must be repaired.
- c. **Disconnect the plug from the power source and/or the battery pack from the power tool before making any adjustments, changing accessories, or storing power tools.** Such preventive safety measures reduce the risk of starting the power tool accidentally.
- d. **Store idle power tools out of the reach of children and do not allow persons unfamiliar with the power tool or these instructions to operate the power tool.** Power tools are dangerous in the hands of untrained users.
- e. **Maintain power tools. Check for misalignment or binding of moving parts, breakage of parts and any other condition that may affect the power tool's operation. If damaged, have the power tool repaired before use.** Many accidents are caused by poorly maintained power tools.
- f. **Keep cutting tools sharp and clean.** Properly maintained cutting tools with sharp cutting edges are less likely to bind and are easier to control.
- g. **Use the power tool, accessories and tool bits etc. in accordance with these instructions, taking into account the working conditions and the work to be performed.** Use of the power tool for operations different from those intended could result in a hazardous situation.
- h. **Keep handles and grasping surfaces dry, clean and free from oil and grease.** Slippery handles and grasping surfaces do not allow for safe handling and control of the tool in unexpected situations.

5. Service

- a. **Have your power tool serviced by a qualified repair person using only identical replacement parts.** This will ensure that the safety of the power tool is maintained.



ELECTRICAL SAFETY



WARNING! When using mains-powered tools, basic safety precautions, including the following, should always be followed to reduce risk of fire, electric shock, personal injury and material damage.

Read the whole manual carefully and make sure you know how to switch the tool off in an emergency, before operating the tool.

Save these instructions and other documents supplied with this tool for future reference.

The petrol generator has been designed to output 240V only. Always check that the power supply corresponds to the voltage on the rating plate.

Note: The supply of 230V and 240V tools are interchangeable for Australia and New Zealand.

Using an Extension Lead

Always use an approved extension lead suitable for the power output from this generator. Before use, inspect the extension lead for signs of damage, wear and ageing. Replace the extension lead if damaged or defective. When using an extension lead on a reel, always unwind the lead completely. Use of an extension lead not suitable for the power input of the tool or which is damaged or defective may result in a risk of fire and electric shock.

It is recommended at a minimum that 1.5mm² Heavy Duty extension leads are used with the Generator and that the length is kept as minimal as possible to prevent power loss. All extension leads must incorporate an earthing conductor to ensure that there is no voltage difference between the generating set and any equipment powered by the generating set.



WARNING! Damaged or overloaded extension cords could overheat, arc, and burn, resulting in death or serious injury.



SAFETY WARNINGS FOR GENERATORS

IMPORTANT! When using the equipment, a few safety precautions must be observed to avoid injuries and damage. Please read the complete operating manual with due care. Keep this manual in a safe place so that the information is available at all times. If you give the equipment to any other person, give them these operating instructions as well.

We cannot accept any liability for damage or accidents which arise due to a failure to follow these instructions and the safety information.

This appliance is not intended for use by young or infirm persons unless supervised by a responsible person to ensure that they can use the appliance safely. Young children should be supervised to ensure that they do not play with the appliance.

- The generator is designed to give safe and dependable service if operated according to instructions.
- Read and understand the Owner's Manual before operating the generator. Failure to do so could result in personal injury or equipment damage.
- Gasoline is extremely flammable and explosive under certain conditions. Refuel in a well ventilated area with the engine stopped.
- Keep away from cigarette, smoke and sparks when re-fuelling the generator. Always refuel in a well ventilated location.
- Prevent the spilling of fuel as this may also ignite with the hot motor. Wipe up spilled gasoline at once. Never refuel whilst the engine running.
- Connections for standby power to a building's electrical system must be made by a qualified electrician and must comply with all applicable laws and electrical codes. Improper connections can allow electrical current from the generator to back feed into the utility lines. Such back feed may electrocute utility company workers or others who contact the lines during a power outage, and when utility power is restored, the generator may explode, burn, or cause fires in the building's electrical system.
- Store the generator in a dry area away from inflammable liquids.
- Always make a pre-operation inspection before you start the engine. You may prevent an accident or equipment damage.
- Place the generator at least 1m (3ft) away from buildings or other equipment during operation. ALWAYS operate generator a minimum of 2 meters from any conductive surface eg. metals.
- Persons who are fitted with a heart pacemaker, or similar medical conditions should take care when using this device. Even the extra low voltage of the Battery charging output should not be handled by a person with medical conditions as or similar to the above.
- Operate the generator on a level surface. If the generator is tilted, fuel spillage may result.
- Do not operate in a hazardous location. Such areas include where there is a risk of explosion of petrol fumes, leaking gas or explosive dust.
- Know how to stop the generator quickly and understand operation of all the controls. Never permit anyone to operate the generator without proper instructions.
- Keep children and pets away from the generator when it is in operation.
- Keep away from rotating parts while the generator is running.
- The generator is a potential source of electrical shocks when misused; do not operate with wet hands.
- Your power tool should only be passed on with these instructions.
- Children should be supervised to ensure they do not play with the appliance.
- Do not use in rain or wet weather.

- The electrical continuity of the 'earthing' core should be checked periodically from pin to socket to ensure continued electrical safety.
- Some electrical appliances, e.g. portable drills, are marked or 'double insulated', in which case there will not be an earthing conductor in its mains lead (even though it may have a 3-pin plug).
- Maintain normal safety precautions with appliances and accessories as for use on normal reticulated normal supply.
- Locate set in convenient place, avoiding long extension leads and possible damage to leads by pedestrian or vehicular traffic.



WARNING! Do not parallel connect other cables to receptacles, use special jack, or it may cause an electrical shock.



WARNING! The muffler becomes very hot during operating and remains hot for a while after stopping the engine. Be careful not to touch the muffler while it is hot. Let the engine cool before storing the generator indoors.



WARNING! Exhaust contains poisonous carbon monoxide. Do not operate generator in confined area. Be sure to operate the generator in a well-ventilated environment or with an aerator. Using a generator indoors will kill you in minutes. Never use in the home or in a partly enclosed area such as garages. Only use outdoors and far from open windows doors and vents.



WARNING! Engine exhaust contains carbon monoxide, a poisonous gas that could kill you in minutes. You cannot smell it, see it, or taste it. Even if you do not smell exhaust fumes, you could still be exposed to carbon monoxide gas. If you start to feel sick, dizzy, or weak while using this product, get fresh air right away. See a doctor. You may have carbon monoxide poisoning.



WARNING! The output of this generating set is potentially Lethal. The set shall not be connected to a fixed electrical installation (such as household wiring) by fixed wiring except by an appropriately licensed person.



WARNING! The inverter generator is supplied with a grounding terminal that may reduce the risk of electrocution in certain applications. The system ground is connected to the AC neutral wire (the neutral is bonded to the generator frame). Always consult a qualified electrician before connecting the grounding terminal or when using the generator for applications other than direct connection of appliances (such as connection to a caravan).



WARNING! Do not operate in hazardous location e.g. Where there may be a risk of explosion of petrol fumes, leaking gas or explosive dust.



WARNING! Do not operate in a confined area where exhaust gases, smoke or fumes could reach dangerous concentrations.



WARNING! Do not refuel while engine is running.

- This generator is NOT intended to be used in a construction site, worksite or demolition site. It is intended for DIY use only.
- Only use this Generator with 91 RON Unleaded Petrol.
- Do not operate the generator when you are tired or under the influence of drugs, alcohol, or medication.
- The generating set must not be connected to other power sources.

RISK OF FIRE

Hazard	What could happen	How to prevent it
Attempting to fill the fuel tank while the engine is running	Fuel and fuel vapours can become ignited by coming in contact with hot components such as the muffler, engine exhaust gases, or from an electrical spark.	Turn engine off and allow it to cool before adding fuel to the tank. Equip area of operation with a fire extinguisher certified to handle fuel fires.
Sparks, fire, hot objects	Cigarettes, sparks, fires, or other hot objects can cause fuel or fuel vapours to ignite.	Add fuel to tank in well ventilated area. Make sure there are no sources of ignition near the generator.
Improper storage of fuel	Improperly stored fuel could lead to accidental ignition. Fuel improperly secured could get into the hands of children or other unqualified persons.	Store fuel in an approved container designed to hold fuel. Store container in secure location to prevent use by others.
Inadequate ventilation for generator	Materials placed against or near the generator or operating the generator in areas where the temperature exceeds 40°C. ambient (such as storage rooms or garages) can interfere with its proper ventilation features causing overheating and possible ignition of the materials or buildings.	Operate generator in a clean, dry, well ventilated area. DO NOT OPERATE UNIT INDOORS OR IN ANY CONFINED AREA.
Overfilling the fuel tank - fuel spillage	Spilled fuel and its vapours can become ignited from hot surfaces or sparks.	Use care in filling the tank to avoid spilling fuel. Make sure fuel cap is secured tightly and check engine for fuel leaks before starting engine. Move generator away from refuelling area or any spillage before starting engine. Allow for fuel expansion. Never refuel with the engine running.

RISK OF ELECTROCUTION AND FIRE

Hazard	What could happen	How to prevent it
Improper storage of extension cord.	Extension cord can come into contact with hot engine parts resulting in damage. Using a damaged extension cord can result in electrocution or death.	Remove extension cord from the generator and store separately away from generator.
Operation of generator in heavy rain, wet, icy, or flooded conditions.	Water is an excellent conductor of electricity! Water which comes in contact with electrically charged components can transmit electricity to the frame and other surfaces, resulting in electrical shock to anyone contacting them.	Operate generator in a clean, dry, well ventilated area. Make sure hands are dry before touching unit.
Placing generator on or against highly conductive surface, such as a steel walkway or metal roof.	Accidental leakage of electrical current could charge conductive surfaces in contact with the generator.	Place generator on low conductivity surface such as a concrete slab. ALWAYS operate generator a minimum of 2 meters from any conductive surface.
Operation of unit when damaged, or with guards or panels removed.	Attempting to use the unit when it has been damaged, or when it is not functioning normally could result in fire or electrocution. Removal of guarding could expose electrically charged components and result in electrocution.	Do not operate generator with mechanical or electrical problem. Have unit repaired by an Authorized Service Centre. Do not operate generator with protective guarding removed.

RISK OF UNSAFE OPERATION

Hazard	What could happen	How to prevent it
Operation of generator in careless manner	All sources of energy include the potential for injury. Unsafe operation or maintenance of your generator could lead to serious injury or death to you or others.	Review and understand all of the operating instructions and warnings in this manual. Become familiar with the operation and controls of the generator. Know how to shut it off quickly. Equip area of operation with a fire extinguisher certified to handle gasoline or fuel fires. Keep children or others away from the generator at all times.
Operating generator while suspended	Generator will not operate properly and will cause damage to the generator and could cause serious injury or death to you or others.	Never operate generator while suspended or in an unlevel position. Always operate generate on a flat, level surface.

RISK OF INJURY AND PROPERTY DAMAGE WHEN TRANSPORTING GENERATOR

Hazard	What could happen	How to prevent it
<p>Fire, Inhalation, Damage to Vehicle Surfaces</p>	<p>Fuel or oil can leak or spill and could result in fire or breathing hazard, serious injury or death can result. Fuel or oil leaks can damage carpet, paint or other surfaces in vehicles or trailers.</p>	<p>Transport fuel only in an approved fuel container. Always place generator on a protective mat when transporting to protect against damage to vehicle from leaks. Remove generator from vehicle immediately upon arrival at your destination.</p>

RISK OF HOT SURFACES

Hazard	What could happen	How to prevent it
<p>Contact with hot engine and generator components</p>	<p>Contact with hot surfaces, such as engines exhaust components, could result in serious burns.</p>	<p>During operation, touch only the control surfaces of the generator. Keep children away from the generator at all times. They may not be able to recognize the hazards of this product.</p>

RISK FROM LIFTING

Hazard	What could happen	How to prevent it
<p>Lifting a very heavy object</p>	<p>Serious injury can result from attempting to lift a heavy object.</p>	<p>When lifting, always keep the object you are lifting near the vertical axis of your body. DO NOT use you back to lift heavy loads. Both people should crouch down, grab the top handles of the unit and use your legs to carry the weight. Keep the object as near the centre of your body's gravity as possible. Avoid twisting your bodies when carrying the unit; instead, turn your whole body using your feet.</p>

ozito

INVERTER GENERATOR

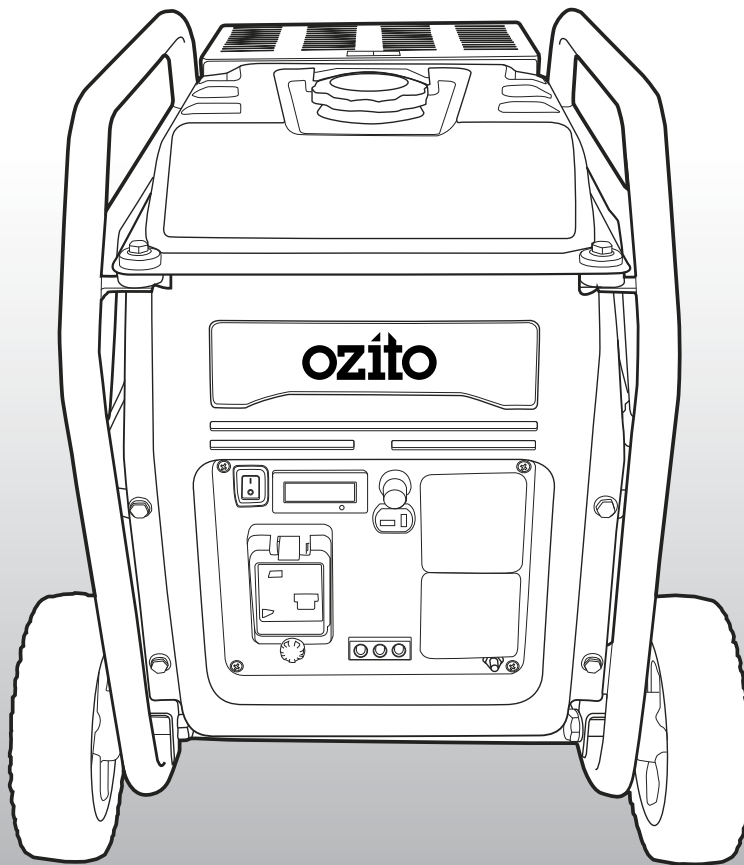
2500W

INSTRUCTION MANUAL

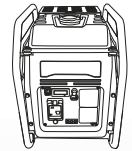
SPECIFICATIONS

Engine:	4-stroke OHV 1-cylinder
Displacement:	196cc
Max. Power:	2,500W (2min)
Rated Power:	2,200W
Power Factor:	1.0
AC Output:	2 x 240V~50Hz, 9.2A
DC Output:	1 x 12V, 8.3A
Fuel Capacity:	5 litres
Fuel Type:	91 RON unleaded petrol
Sump Capacity:	0.6 litres
Oil Type:	4-stroke SAE30, 15W40
Sound Pressure Level:	68dBA @ 7m
Weight:	26kg

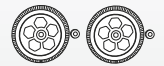
ozito.com.au



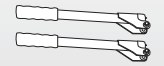
WHAT'S IN THE BOX



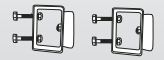
Inverter Generator



Wheels & Wheel Fasteners



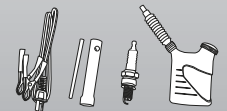
Transport Handles



Support Feet



Generator Oil



Tools & Accessories

1 YEAR WARRANTY

IGP-2500

WARRANTY

IN ORDER TO MAKE A CLAIM UNDER THIS WARRANTY YOU MUST RETURN THE PRODUCT TO YOUR NEAREST BUNNINGS WAREHOUSE WITH YOUR BUNNINGS REGISTER RECEIPT. PRIOR TO RETURNING YOUR PRODUCT FOR WARRANTY PLEASE TELEPHONE OUR CUSTOMER SERVICE HELPLINE:

Australia 1800 069 486

New Zealand 0508 069 486

TO ENSURE A SPEEDY RESPONSE PLEASE HAVE THE MODEL NUMBER AND DATE OF PURCHASE AVAILABLE. A CUSTOMER SERVICE REPRESENTATIVE WILL TAKE YOUR CALL AND ANSWER ANY QUESTIONS YOU MAY HAVE RELATING TO THE WARRANTY POLICY OR PROCEDURE.

The benefits provided under this warranty are in addition to other rights and remedies which are available to you at law. Our goods come with guarantees that cannot be excluded at law. You are entitled to a replacement or refund for a major failure and for compensation for any other reasonably foreseeable loss or damage. You are also entitled to have the goods repaired or replaced if the goods fail to be of acceptable quality and the failure does not amount to a major failure.

Generally you will be responsible for all costs associated with a claim under this warranty, however, where you have suffered any additional direct loss as a result of a defective product you may be able to claim such expenses by contacting our customer service helpline above.

1 YEAR WARRANTY

Your product is guaranteed for a period of **12 months from the original date of purchase**. If a product is defective it will be replaced in accordance with the terms of this warranty. Warranty excludes consumable parts, for example: Wheels.

WARNING

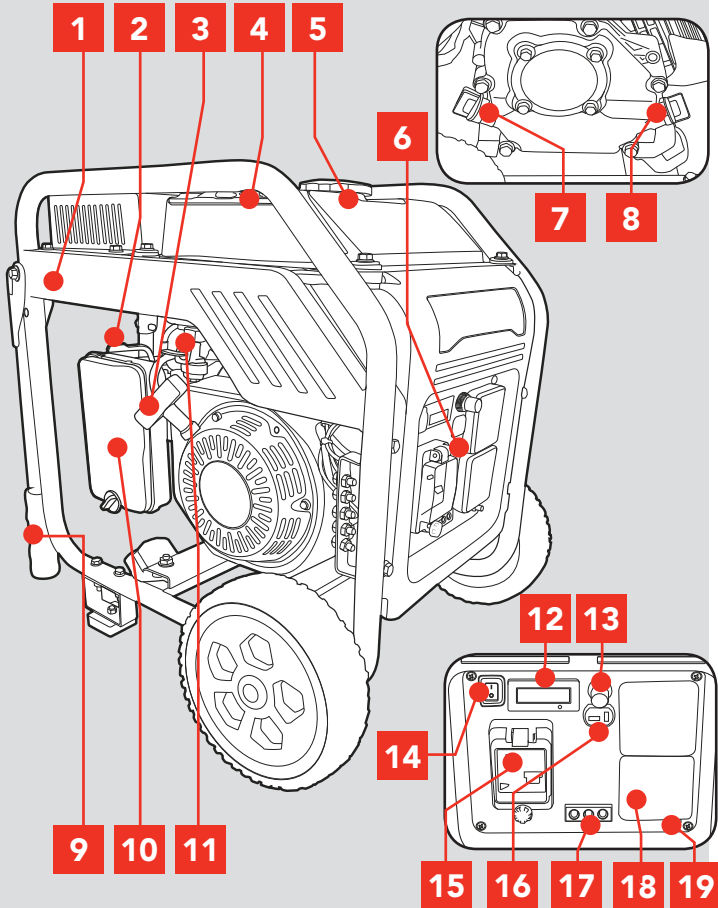
The following actions will result in the warranty being void.

- If the tool has been operated on a supply voltage other than that specified on the tool.
- If the tool shows signs of damage or defects caused by or resulting from abuse, accidents or alterations.
- Failure to perform maintenance as set out within the instruction manual.
- If the tool is disassembled or tampered with in any way.
- Professional, industrial or high frequency use.

KNOW YOUR PRODUCT

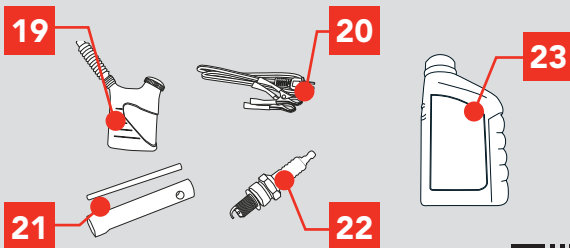
INVERTER GENERATOR

- | | |
|---------------------|----------------------------|
| 1. Frame | 11. Fuel Tap |
| 2. Choke | 12. Display Meter |
| 3. Recoil Starter | 13. DC Overload Reset |
| 4. Fuel Gauge | 14. Engine On/Off Switch |
| 5. Fuel Tank Cap | 15. RCBO / AC Power Switch |
| 6. Control Panel | 16. 12Volt DC Outlet |
| 7. Oil Dipstick | 17. Status LEDs |
| 8. Oil Fill Port | 18. AC Socket x 2 |
| 9. Transport Handle | 19. Grounding Terminal |
| 10. Air Filter | |



TOOLS & ACCESSORIES

- | | |
|----------------------------|----------------------|
| 19. Oil Filler Bottle | 22. Spare Spark Plug |
| 20. Battery Charging Cable | 23. Generator Oil |
| 21. Spark Plug Wrench | |



ONLINE MANUAL

Scan this QR Code with your mobile device to take you to the online manual.



SETUP & PREPARATION

1. LUBRICATION

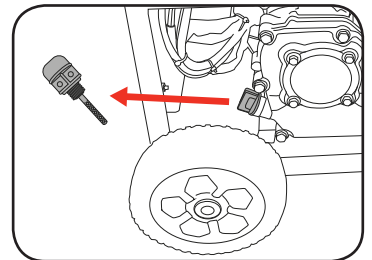
Checking the Oil

The generator is shipped without oil and must be filled before starting. Oil sump capacity is 600ml. Refer to below instructions for details.

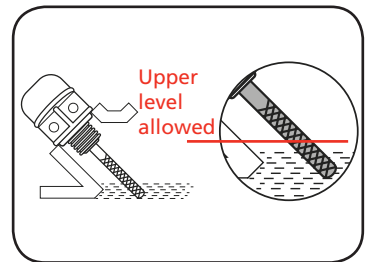
Note: The generator has 2 oil filler holes for easier access, however only the oil plug towards the front features a dipstick for checking the level.

1. Be sure to check that the generator is on a level surface with the engine stopped.

2. Remove the dipstick, and wipe with a clean rag. Check the oil level by inserting the dipstick in the filler hole without screwing it in and then removing it again.



3. If the oil level is below the end of the dipstick, using the oil filler bottle, refill until it registers on the halfway mark of the dipstick. Use premium quality 4-stroke engine oil. Recommended SAE30 or 15W40 for most climate conditions in Australia.



Note: The Oil Alert LED will automatically illuminate before the oil level falls below the safe limit. However, to avoid the inconvenience, it is still advisable to visually inspect the oil level regularly.

1 YEAR WARRANTY

OPERATION

2. FUEL



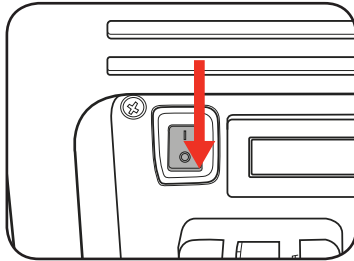
WARNING! PETROL IS VERY FLAMMABLE. DO NOT SMOKE OR CAUSE ANY SPARKS OR FLAMES NEAR FUEL. MAKE SURE THAT YOU STOP THE ENGINE AND ALLOW IT TO COOL BEFORE REFUELLING THE GENERATOR. SELECT AN OPEN OUTDOOR AREA FOR FUELLING AND MOVE AT LEAST 3M AWAY FROM THE FUELLING POINT BEFORE STARTING THE ENGINE.

Fuel Consumption

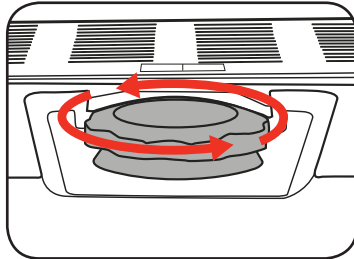
Load	Fuel Consumption	Run Time (full tank)
2200W (full load)	1500mL/h	3 hours
1100W (half load)	1026mL/h	4.5 hours

Refuelling the Generator

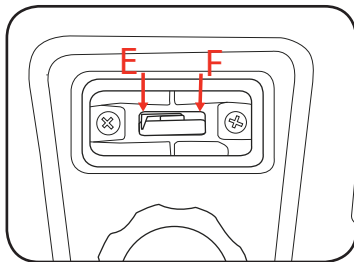
1. Switch off engine by moving the engine switch to the OFF position.



2. Remove the fuel cap by rotating in a anti-clockwise direction.



3. Add fuel to the tank (91 RON Unleaded Petrol). Do not overfill the fuel tank, check the fuel gauge on the fuel tank. Do not use ethanol blended fuels. Fuel tank capacity is 5L.



4. After refuelling, make sure the fuel cap is closed properly and securely.



WARNING! BE CAREFUL NOT TO SPILL FUEL WHEN REFUELLING. SPILLED FUEL OR FUEL VAPOUR MAY IGNITE. IF ANY FUEL IS SPILLED, MAKE SURE THE AREA IS DRY BEFORE STARTING THE ENGINE.



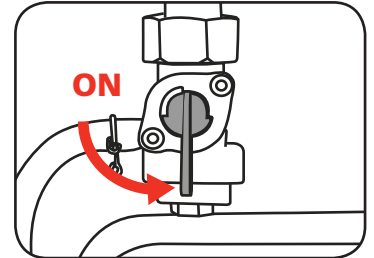
WARNING! KEEP AWAY FROM CIGARETTES, SMOKE AND SPARKS WHEN REFUELLING THE GENERATOR. ALWAYS REFUEL IN A WELL-VENTILATED LOCATION.

3. STARTING & STOPPING

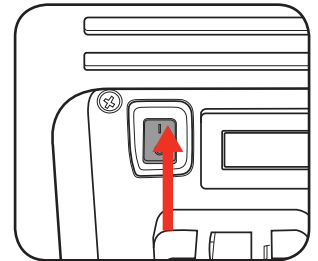
Preparing to Start

Before starting the engine, disconnect all appliances from the generator.

1. Set the fuel tap to the "ON" position as shown.



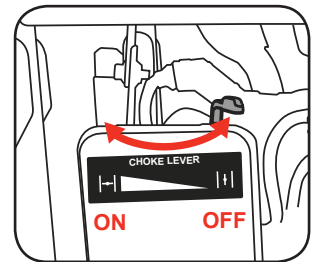
2. Set the engine switch to ON.



3. Adjust the choke to suit the current conditions.

COLD START: If the weather is cold, push the choke all the way to the left into the "ON" position.

WARM START: If the weather is warm or the generator has recently been used, push the choke all the way to the right into the "OFF" position.

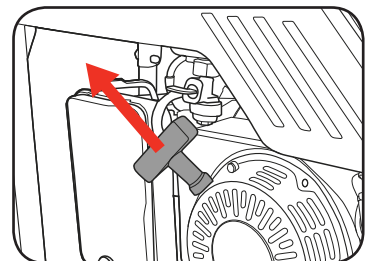


Starting the Engine

Before starting the engine, disconnect all appliances from the generator.

1. Follow steps 1 to 3 in the "Preparing to Start" section above.

2. Hold the generator steady with one hand. With the other hand, pull slightly on the recoil starter until you feel resistance and then pull hard and swiftly. Do not let the recoil starter retract by itself, guide it back by hand.



Note: You may need to pull on the recoil starter a few times until the generator starts.

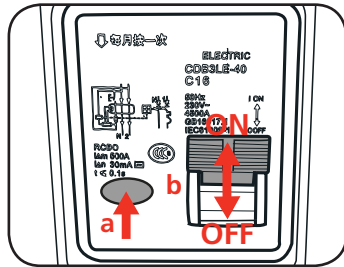
3. Once started push the choke all the way to the right into the "OFF" position.

Checking the Residual Current Circuit Breaker

This generator features a Residual Current Circuit Breaker with Overcurrent Protection (RCBO) which is designed to prevent fatal electric shock in the case of an accident. **IT IS ESSENTIAL TO TEST THE RCBO BEFORE EVERY USE.**

1. Follow steps 1 to 3 in the “Starting the Engine” section.
2. Leave the engine running but do not connect any devices to the outlet. The RCBO is now ready to be tested.

3. Make sure the AC Power Switch is in the ON position and press the Test Button. If the RCBO is working correctly the AC Power Switch will turn to the OFF position.



Note: The RCBO can be reset by switching the AC Power Switch back to the ON position. The generator is now ready to use.

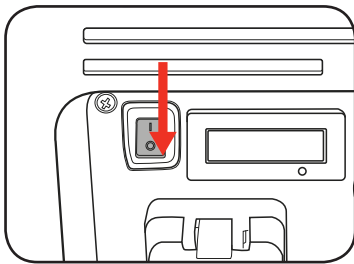


WARNING! IF THE RCBO DOES NOT ACTIVATE AND SHUT OFF THE POWER WHEN THE TEST BUTTON IS PRESSED, DO NOT USE THE GENERATOR. IF THIS OCCURS, SHUT THE GENERATOR DOWN AND CONTACT OZITO CUSTOMER SERVICE.

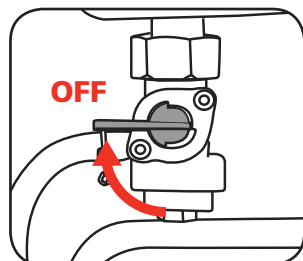
Stopping the Engine

Before stopping the engine, turn off any equipment.

1. Switch off engine by moving the engine switch to the OFF position.



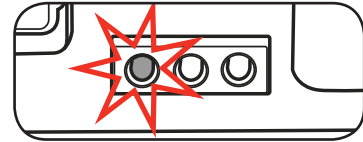
2. For transport or storage, turn the fuel tap to the OFF position.



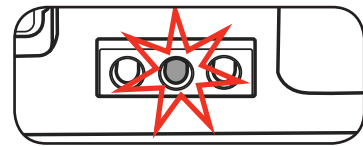
4. CONTROL PANEL

Run Indicator LED

- The power indicator LED (green) illuminates when power is available to outputs.



Overload Indicator LED

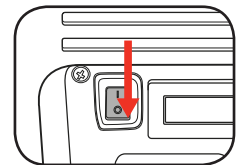


- If the generator is overloaded or if there is a short in the connected appliance, the overload indicator LED (red) will go ON and current to the connected appliance will be shut off. The output indicator LED (green) will turn off. The power indicator LED (green) illuminates when power is available to outputs.
- Substantial overloading that continuously lights the overload indicator light (red) may damage the generator. Marginal overloading that temporarily lights the overload indicator LED (red) may shorten the service life of the generator. Stop the engine if the overload indicator light (red) switches ON and investigate the overload source.

Overload Reset

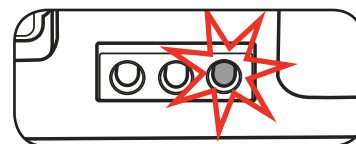
If the overload switch has tripped and cuts off the power, be sure that all appliances are in good working order before connecting them to the generator. If an appliance begins to operate abnormally, becomes sluggish, or stops suddenly, turn “OFF” the generator.

1. Disconnect the appliance and push the engine switch into the off position.
2. Start the generator as described in “Starting the engine” section.



3. Refit the appliance, if the Overload trips again then the equipment / appliance needs to be checked.

Low Oil Indicator LED



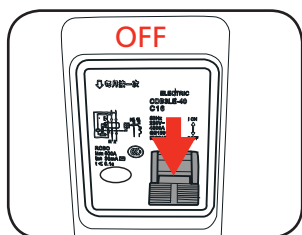
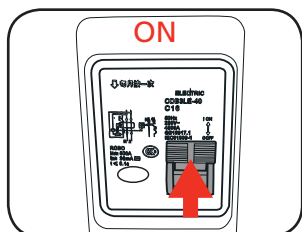
- The oil indicator is designed to prevent engine damage caused by an insufficient amount of oil in the crankcase.
- If the oil level becomes low while operating, the generator will automatically switch off to prevent damage.
- If the oil indicator LED (yellow) comes on, add engine oil.

RCBO / AC Power Switch

This generator features a Residual Current Circuit Breaker with Overcurrent protection (RCBO) which is designed to prevent fatal electric shock in the case of an accident.

The RCBO also includes protection from overload and an Isolator Switch that allows you to stop power to the AC appliance without stopping the engine.

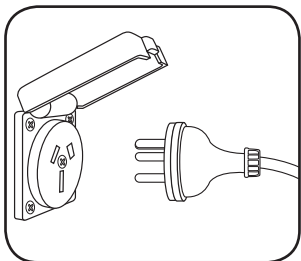
1. To allow power to your AC appliance, press the AC power switch up.
2. To stop power to your AC appliance, press the AC power switch down.



AC Applications

Check the total rating of the appliance to be connected and ensure the rating of the appliance/s does not exceed the rating of the generator.

1. Start the engine and make sure the output indicator LED (green) illuminates. (see “Starting the engine”)
2. Confirm that the equipment to be used and the AC power switch on the control panel is switched off, and insert the plug of the equipment to be used into an AC socket.
3. Switch the AC power switch on the control panel up into the on position and then you can start using the equipment.



Note: If the connected appliance does not operate, refer to “Overload Indicator” section.

Note: Please be aware that the starting current of certain equipment may be higher than it is rated.

Overloading (Inrush Current)

You may find that even though the appliance you wish to connect to the generator is below the rated power, the generator overloads.

Some appliances require a higher power than noted on the appliance for start up; this is called inrush current. Some examples are listed below.

Appliance	Running Wattage	Start-up Wattage
Light	70W	70W
Airless Sprayer	650W	1300W
Refrigerator	700W	2000W
Water Pump	800W	2000W
Air Compressor (1HP)	1100W	4000W
Circular Saw	1200W	2100W
Heater	2000W	2000W
Mitre Saw	2100W	3200W
Electric Stove	2400W	2400W

*Table details are approximate. Always check your appliance for the accurate wattage.



WARNING! THIS GENERATOR IS NOT SUITABLE FOR PERMANENT HOUSEHOLD INSTALLATION AND/OR APPLICATIONS.

DC Applications

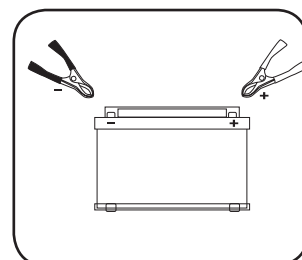
The DC output on this generator has a rated voltage of 12V with a rated current of 8.3A.

12Volt DC Outlet

This is suitable for charging most lead acid type car batteries.

Before charging, remove the battery from the vehicle. The battery MUST be totally isolated from any other circuitry.

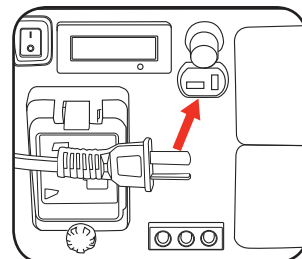
1. Connect the positive (+, RED) charging cord to the positive battery terminal. Connect the negative (-, BLACK) charging cord to the negative battery terminal. Do not reverse the charging cables, or serious damage to the generator and/or the battery may occur.



2. Start the generator as described in “Starting the engine” section.

3. Connect the DC cable to the 12Volt DC outlet. The battery will begin charging.

4. When disconnecting, remove the plug from the generator before unclipping the clamps on the battery.



Note: Do not attempt to charge lithium ion, NiCad or NiMH batteries. The charging outlet is only intended for Lead Acid batteries.



WARNING! THE BATTERY GIVES OFF EXPLOSIVE GASES; KEEP SPARKS, FLAMES AND CIGARETTES AWAY. PROVIDE ADEQUATE VENTILATION WHEN CHARGING.

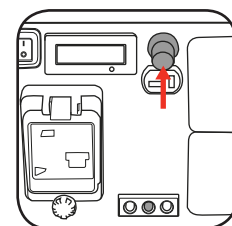


WARNING! THE BATTERY CONTAINS SULPHURIC ACID (ELECTROLYTE). CONTACT WITH SKIN OR EYES MAY CAUSE SEVERE BURNS. WEAR PROTECTIVE EQUIPMENT.



WARNING! BATTERIES LEFT UNATTENDED CAN POTENTIALLY EXPLODE, RESULTING IN SERIOUS INJURY.

Note: DC receptacle can be used while the AC power is in use. If you use both at the same time, be sure not to exceed the total power for AC and DC. An overloaded DC circuit will trip the DC circuit breaker. If this happens, disconnect the DC load before pushing in the ‘DC Overload Reset’ button to resume operation.



When reconnecting appliances, reduce the load which previously overloaded the generator.

MAINTENANCE

The purpose of the maintenance and adjustment schedule is to keep the generator in the best operating condition.

Inspect or service as scheduled in the table below.

WARNING! SHUT OFF THE ENGINE BEFORE PERFORMING ANY MAINTENANCE. IF THE ENGINE MUST BE RUN, MAKE SURE THE AREA IS WELL VENTILATED. THE EXHAUST CONTAINS POISONOUS CARBON MONOXIDE GAS.

CAUTION! USE AUTHORIZED PARTS OR THEIR EQUIVALENT. THE USE OF REPLACEMENT PARTS WHICH ARE NOT OF EQUIVALENT QUALITY MAY DAMAGE THE GENERATOR.

Project	Periodic maintenance time (1)	Every use	Every month or 20 hours	Every 3 months or 50 hours	Every 6 months or 100 hours	Every year or 300 hours
Oil	Examination	○				
	Replace		○			
Air filter	Examination	○				
	Clean			○ (2)		
Muffler Anti-Fire	Examination	○				
	Clean		○			
Spark plug	Clean-adjustment				○	
Fuel sediment bowl	Clean				○	
Valve clearance	Examination-adjustment					○ (3)
Fuel and fuel filter	Clean					○ (3)
Fuel line	Examination	Every 2 years (if necessary, please change) (3)				

Note:

- (1) Log hours of operation to determine proper maintenance.
- (2) Service more frequently when used in dusty areas.
- (3) Servicing of this product can be arranged by contacting customer service. Telephone: 1800 069 486.

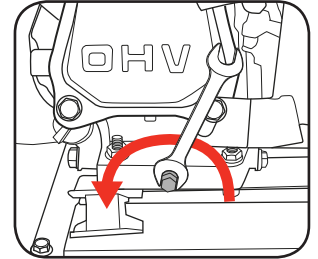
WARNING! DO NOT REMOVE THE FRONT PANEL WHILE THE GENERATOR IS RUNNING.

Oil Change

Drain the oil while the engine is still warm to ensure rapid and complete draining.

WARNING! MAKE SURE TO TURN THE ENGINE SWITCH AND FUEL LEVER ARE OFF BEFORE DRAINING.

1. Using a spanner remove the oil drain screw.



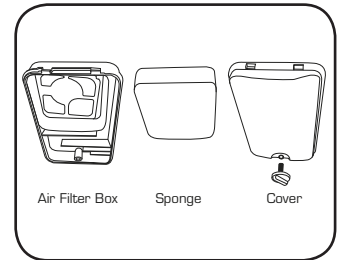
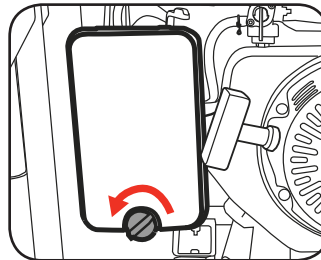
2. Tilt the generator and spill out the oil into a suitable container.
3. Refit the oil drain screw and refill with new oil, check the oil level with the dipstick as described in “Checking the Oil” section.

Note: Please dispose of used motor oil in a manner that is compatible with the environment. Do not throw it in the rubbish bin or pour it on the ground.

Air Filter Service

A dirty air filter will restrict air flow to the carburettor. To prevent carburettor malfunction, service the air cleaner regularly. Service more frequently when operating the generator in extremely dirty areas.

1. Remove the air filter locking knob and remove the cover.
2. Check the air filter sponge is intact and clean, if not rinse with water and allow to dry or replace the filter.



Note: It is normal for a little oil to appear under the air filter box if the generator is running for a long period of time, or if a lot of oil is in the engine. Wipe up the excess oil after each use and after stopping the generator.

WARNING! DO NOT USE PETROL OR LOW FLASH POINT SOLVENTS FOR CLEANING. THEY ARE FLAMMABLE AND EXPLOSIVE UNDER CERTAIN CONDITIONS.

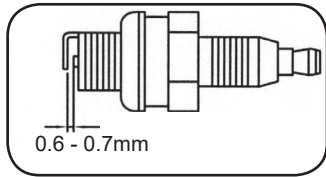
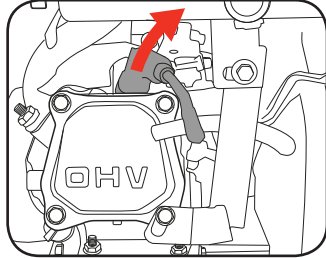
WARNING! NEVER RUN THE ENGINE WITHOUT THE AIR CLEANER. RAPID ENGINE WEAR WILL RESULT FROM CONTAMINANTS SUCH AS DUST AND DIRT BEING DRAWN THROUGH THE CARBURETTOR, INTO THE ENGINE.

TROUBLESHOOTING

Spark Plug Servicing

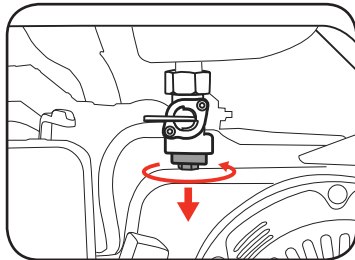
Use only good quality spark plugs. To ensure proper engine operation, the spark plug must be properly gapped and free of deposits.

1. Pull out the spark plug lead.
2. Remove the spark plug using the spark plug wrench supplied by turning it anti-clockwise.
3. Clean the electrode with a metal brush and remove any carbon build-up or replace the spark plug. Set the electrode gap to 0.6 - 0.7mm
4. Install the spark plug carefully by hand, to avoid cross threading. Tighten it securely with Spark plug wrench.
5. Reinstall the spark plug lead.



Fuel Filter

A dirty fuel filter will restrict fuel flow to the carburettor. Replace the fuel filter if it becomes noticeably discoloured. The fuel filter can be found under the fuel cut off tap.



Circuit Breaker Trips During Use

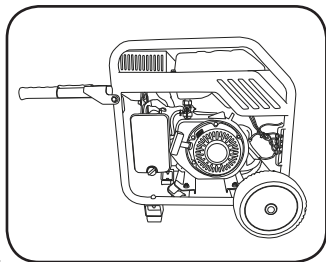
If the circuit breaker trips during use, it usually indicates faulty electrical equipment or cords. Follow the steps below to determine if the issue lies with the circuit breaker or with equipment/cords.

1. Disconnect loads, reset and test the circuit breaker as described in the **“Checking the Residual Current Circuit Breaker”** section of this manual.
2. Let the generator run without any loads for 1 minute.
3. If the circuit breaker trips in the 1 minute period, do not continue to use the generator. Shut the generator down and contact Ozito Customer Service.
4. If the circuit breaker tests correctly, the electrical equipment or extension cords may be faulty. Replace faulty electrical equipment and cords before further use. Have qualified personnel check all electrical equipment and cords for any defects.

TRANSPORTING & STORAGE

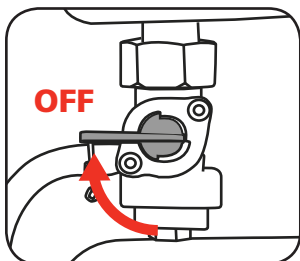
When Transporting Generator

- When transporting a short distance, it is advised that you use the handles.
- Do not overfill the fuel tank.
- Avoid a place exposed to direct sunlight when putting the generator on a vehicle. If the generator is left in an enclosed vehicle for many hours, high temperatures inside the vehicle could cause fuel to vaporize, resulting in a possible explosion.
- Do not operate the generator while it is on a vehicle. Take the generator off the vehicle and use it in a well ventilated place.
- Do not drive on a rough road for an extended period with the generator on board. If you must transport the generator on a rough road, drain the fuel from the generator beforehand.



Storing the Generator for an Extended Period

1. Be sure the storage area is free of excessive humidity and dust.
2. Completely drain the fuel from the tank. Open the fuel valve, start the engine and operate it in the idle position until all remaining fuel is gone and the engine stops automatically.
3. Discharge oil as described in (“Oil Change”) section.
4. Check the fuel tap is turned off.



WARNING! PETROL IS EXTREMELY FLAMMABLE AND EXPLOSIVE UNDER CERTAIN CONDITIONS. DO NOT SMOKE OR ALLOW FLAMES OR SPARKS IN THE AREA.

DESCRIPTION OF SYMBOLS

V	Volts	Hz	Hertz
~	Alternating current	W	Watts
min⁻¹	Revolutions or reciprocation per minute	no	No load speed
	Read instruction manual		Regulator compliance mark
	Warning		Hot surface
	Do not parallel connect other cables to receptacles, use special jack, or it may cause an electrical shock.		
	Extremely hot surface. Do not touch a hot muffler or exhaust system. You may get burned. These parts get extremely hot from operation and remain hot a short time after the unit is turned off.		
	Exhaust contains poisonous carbon monoxide. Do not operate generator in confined area.		
	Unleaded Petrol		Four stroke engine oil
	Ground		Do not smoke
	Keep bystanders away		Toxic Fumes
	Engine may continue to rotate after machine is switched off		

CARING FOR THE ENVIRONMENT

Power tools that are no longer usable should not be disposed of with household waste but in an environmentally friendly way. Please recycle where facilities exist. Check with your local council authority for recycling advice.

Recycling packaging reduces the need for landfill and raw materials. Reuse of recycled material decreases pollution in the environment. Please recycle packaging where facilities exist. Check with your local council authority for recycling advice.

SPARE PARTS

Spare parts can be ordered from the Special Orders Desk at your local Bunnings Warehouse.

For further information, or any parts not listed here, visit www.ozito.com.au or contact Ozito Customer Service:

Australia 1800 069 486

New Zealand 0508 069 486

E-mail: enquiries@ozito.com.au