

Einhell®

TE-MS 18/210 Li

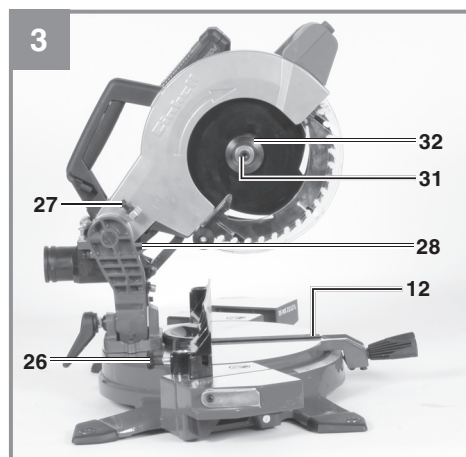
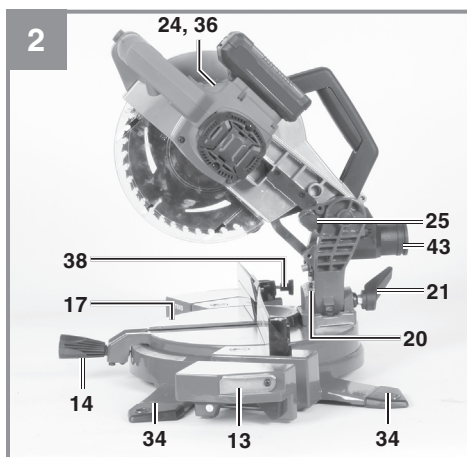
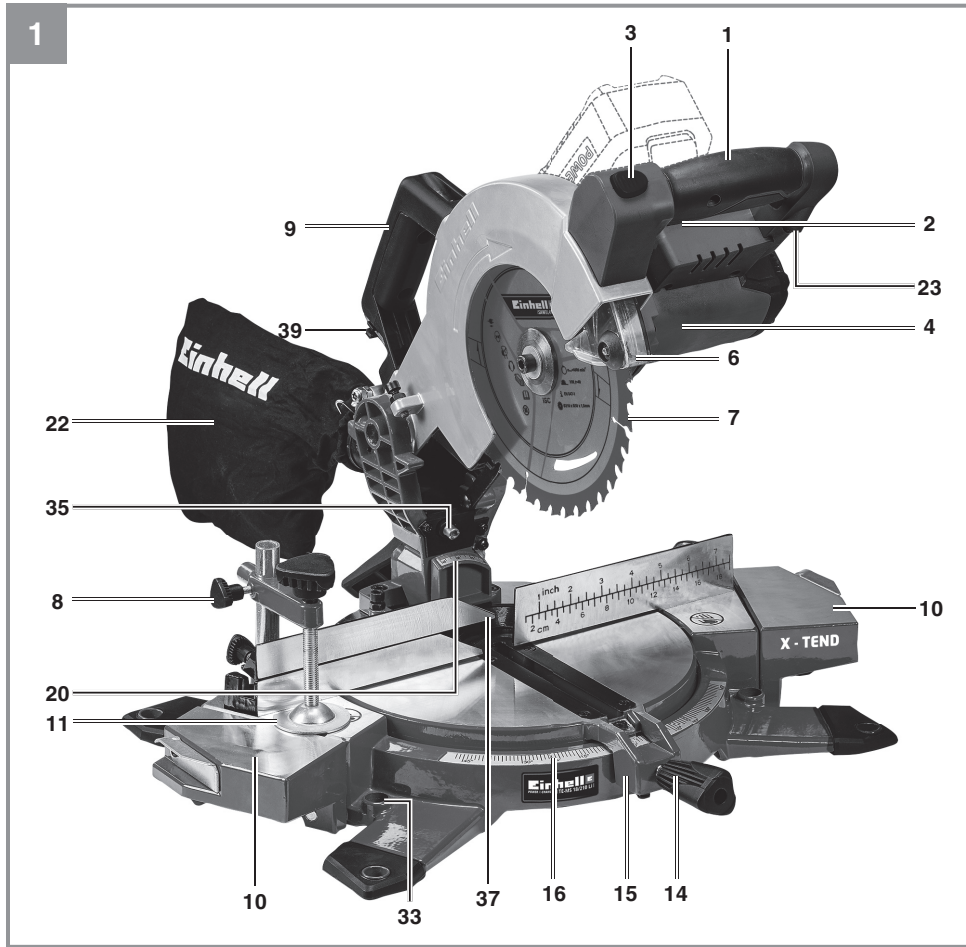
- EN** Original operating instructions
Cordless Compound Miter Saw
- SP** Manual de instrucciones original
Sierra oscilante inalámbrica
- FR** Traduction du mode d'emploi
d'origine
Scie radiale sans fil

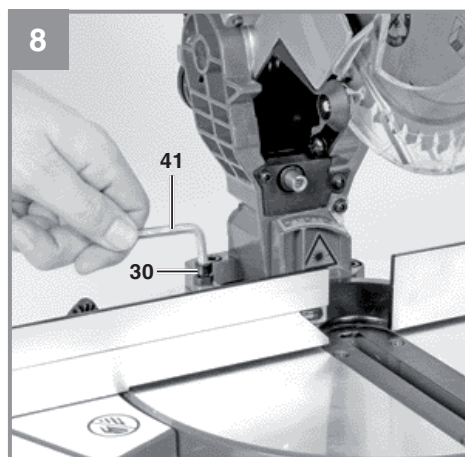
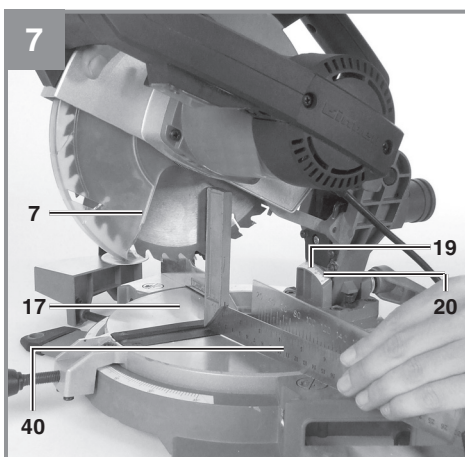
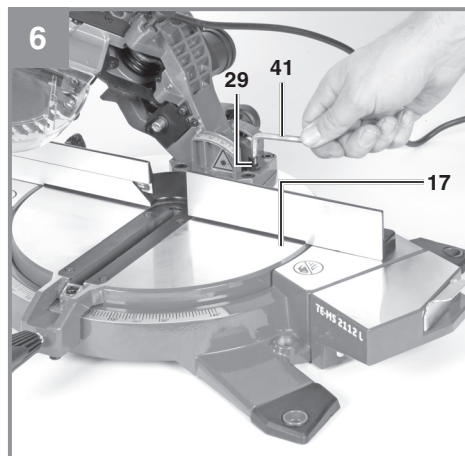
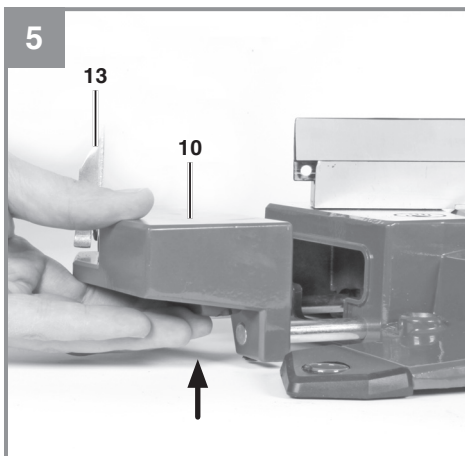
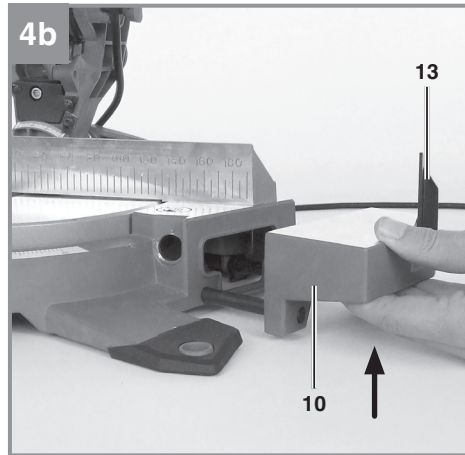
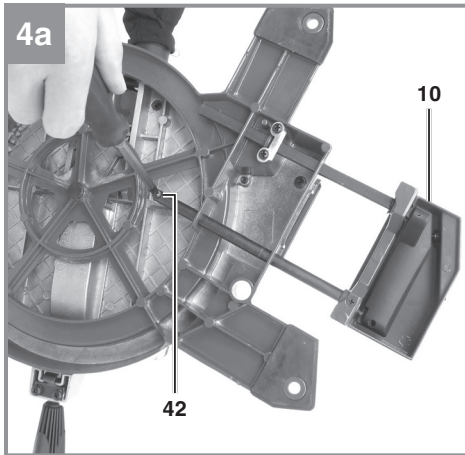


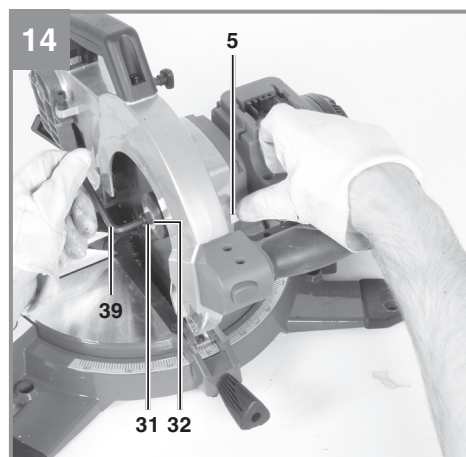
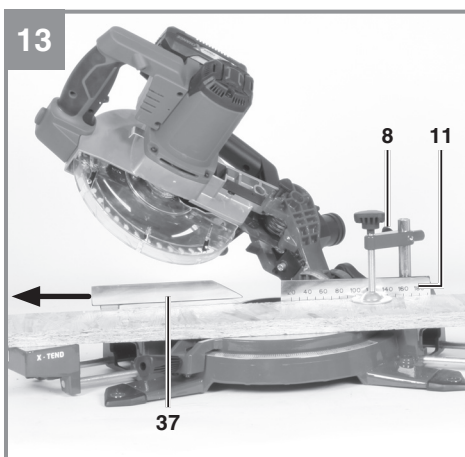
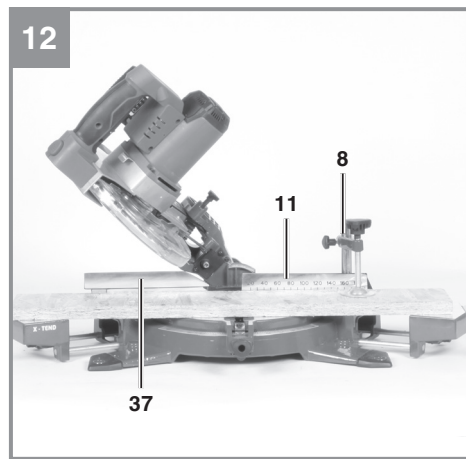
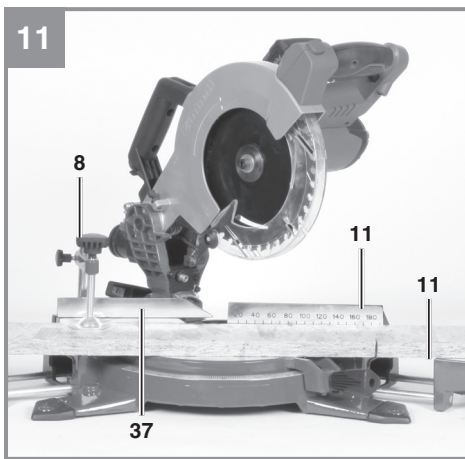
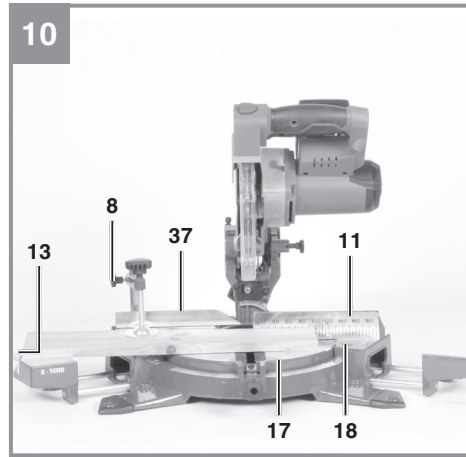
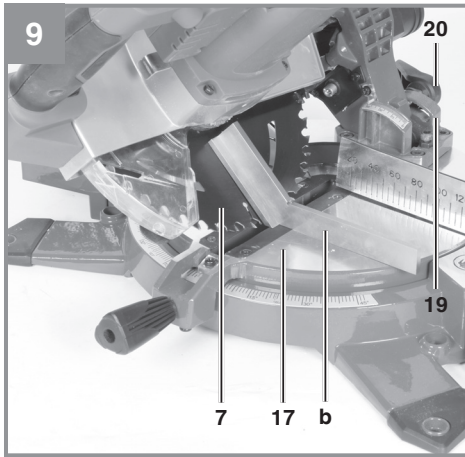
7 

Art.-Nr.: 4300892

I.-Nr.: 11019







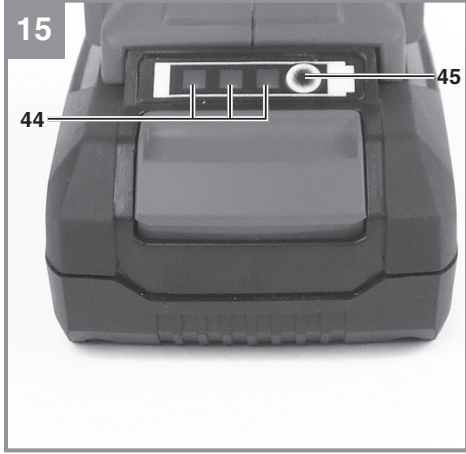


Table of contents

1. Safety information
2. Layout and items supplied
3. Intended use
4. Technical data
5. Before starting the equipment
6. Operation
7. Cleaning, maintenance and ordering spare parts
8. Disposal and recycling
9. Storage



Danger! - Read the operating instructions to reduce the risk of injury



Caution! Wear ear-muffs. The impact of noise can cause damage to hearing.



Caution! Wear a breathing mask. Dust which is injurious to health can be generated when working on wood and other materials. Never use the tool to work on any materials containing asbestos!



Caution! Wear safety goggles. Sparks generated during work or splinters, chips and dust emitted by the equipment can cause loss of sight.



Store the batteries only in dry rooms with an ambient temperature of 50°F to 104°F (+10°C to +40°C). Place only fully charged batteries in storage (charged at least 40%).



Caution! Caution! Risk of injury! Do not reach into the running saw blade.



OFF

On/Off switch for laser



OFF

On/Off switch for LED lamp



Warning! To make miter cuts (with the saw head inclined or the turntable set at an angle), the adjustable stop rail must be fixed at an outer position.

To make 90° crosscuts, the adjustable stop rail must be fixed at the inner position.

DANGER!

When using the equipment, a number of safety precautions must be observed to avoid injuries and damage. Please read the complete operating instructions and safety information with due care. Keep these operating instructions in a safe place so that the information is available at all times. If you give the equipment to any other person, hand over these operating instructions and the safety information as well. We cannot accept any liability for damage or accidents which arise due to failure to follow these instructions and the safety information.

1. Safety information**DANGER!**

Read all the safety information and instructions. Failure to adhere to the safety information and instructions set out below may result in electric shock, fire and/or serious injury. **Keep all the safety information and instructions in a safe place for future use.**

General safety information for power tools

The term „power tool“ used in the safety regulations refers to power tools operated from the mains power supply (with a power cable) and to battery operated power tools (without a power cable).

1) Work area safety

- a) **Keep work area clean and well lit.**
Cluttered and dark areas invite accidents.
- b) **Do not operate power tools in explosive atmospheres, such as in the presence of flammable liquids, gases or dust.** *Power tools create sparks which may ignite the dust or fumes.*
- c) **Keep children and bystanders away while operating a power tool.** *Distractions can cause you to lose control.*

2) Electrical safety

- a) **Power tool plugs must match the outlet. Never modify the plug in any way. Do not use any adapter plugs with earthed (grounded) power tools.** *Unmodified plugs and matching outlets will reduce risk of electric shock.*
- b) **Avoid body contact with earthed or grounded surfaces such as pipes, radiators, ranges and refrigerators.** *There*

is an increased risk of electric shock if your body is earthed or grounded.

- c) **Do not expose power tools to rain or wet conditions.** *Water entering a power tool will increase the risk of electric shock.*
 - d) **Do not abuse the cord. Never use the cord for carrying, pulling or unplugging the power tool. Keep cord away from heat, oil, sharp edges or moving parts.** *Damaged or entangled cords increase the risk of electric shock.*
 - e) **When operating a power tool outdoors, use an extension cord suitable for outdoor use.** *Use of a cord suitable for outdoor use reduces the risk of electric shock.*
 - f) **If operating a power tools in a damp location is unavoidable, use a residual current device (RCD) protected supply.** *Use of an RCD reduces the risk of electric shock.*
- 3) Personal safety**
- a) **Stay alert, watch what you are doing and use common sense when operating a power tool. Do not use a power tool while you are tired or under the influence of drugs, alcohol or medication.** *A moment of inattention while operating power tools may result in serious personal injury.*
 - b) **Use personal protective equipment. Always wear eye protection.** *Protective equipment such as dust mask, non-skid safety shoes, hard hat, or hearing protection used for appropriate conditions will reduce personal injuries.*
 - c) **Prevent unintentional starting. Ensure the switch is in the off-position before connecting to power source and/or BATTERY pack, picking up or carrying the tool.** *Carrying power tools with your finger on the switch or energising power tools that have the switch on invites accidents.*
 - d) **Remove any adjusting key or wrench before turning the power tool on.** *A wrench or a key left attached to a rotating part of the power tool may result in personal injury.*
 - e) **Do not overreach. Keep proper footing and balance at all times.** *This enables better control of the power tool in unexpected situations.*
 - f) **Dress properly. Do not wear loose clothing or jewellery. Keep your hair, clothing and gloves away from moving parts.** *Loose clothes, jewellery or long hair*

- can be caught in moving parts.
- g) **If devices are provided for the connection of dust extraction and collection facilities, ensure these are connected and properly used.** *Use of these devices can reduce dust related hazards.*
- h) **Do not let familiarity gained from frequent use of tools allow you to become complacent and ignore tool safety principles.** *A careless action can cause severe injury within a fraction of a second.*
- 4) Power tool use and care**
- a) **Do not force the power tool. Use the correct power tool for your application.** *The correct power tool will do the job better and safer at the rate for which it was designed.*
- b) **Do not use the power tool if the switch does not turn it on and off.** *Any power tool that cannot be controlled with the switch is dangerous and must be repaired.*
- c) **Disconnect the plug from the power source and/or remove the battery pack, if detachable, from the power tool before making any adjustments, changing accessories, or storing power tools.** *Such preventive safety measures reduce the risk of starting the power tool accidentally.*
- d) **Store idle power tools out of the reach of children and do not allow persons unfamiliar with the power tool or these instructions to operate the power tool.** *Power tools are dangerous in the hands of untrained users.*
- e) **Maintain power tools and accessories. Check for misalignment or binding of moving parts, breakage of parts and any other condition that may affect the power tool's operation. If damaged, have the power tool repaired before use.** *Many accidents are caused by poorly maintained power tools.*
- f) **Keep cutting tools sharp and clean.** *Properly maintained cutting tools with sharp cutting edges are less likely to bind and are easier to control.*
- g) **Use the power tool, accessories and tool bits etc., in accordance with these instructions and in the manner intended for the particular type of power tool, taking into account the working conditions and the work to be performed.** *Use of the power tool for operations different from intended could result in a hazardous situation.*
- h) **Keep handles and grasping surfaces dry, clean and free from oil and grease.** *Slippery handles and grasping surfaces do not allow for safe handling and control of the tool in unexpected situations.*
- 5) Battery tool use and care**
- a) **Recharge only with the charger specified by the manufacturer.** *A charger that is suitable for one type of battery pack may create a risk of fire when used with another battery pack.*
- b) **Use power tools only with specifically designated battery packs.** *Use of any other battery packs may create a risk of injury and fire.*
- c) **When battery pack is not in use, keep it away from other metal objects, like paper clips, coins, keys, nails, screws or other small metal objects that can make a connection from one terminal to another.** *Shorting the battery terminals together may cause burns or a fire.*
- d) **Under abusive conditions, liquid may be ejected from the battery; avoid contact. If contact accidentally occurs, flush with water. If liquid contacts eyes, additionally seek medical help.** *Liquid ejected from the battery may cause irritation or burns.*
- e) **Do not use a BATTERY pack or tool that is damaged or modified.** *Damaged or modified batteries may exhibit unpredictable behaviour resulting in fire, EXPLOSION or risk of injury.*
- f) **Do not expose a BATTERY pack or tool to fire or excessive temperature.** *Exposure to fire or temperature above 266°F (130°C) may cause explosion.*
- g) **Follow all charging instructions and do not charge the BATTERY pack or tool outside the temperature range specified in the instructions.** *Charging improperly or at temperatures outside the specified range may damage the BATTERY and increase the risk of fire.*
- 6) Service**
- a) **Have your power tool serviced by a qualified repair person using only identical replacement parts.** *This will ensure that the safety of the power tool is maintained.*
- b) **Never service damaged BATTERY packs.** *Service of BATTERY packs should only be*

performed by the manufacturer or authorized service providers.

Additional safety instructions

We pay a great deal of attention to the design of every battery pack to ensure that we supply you with batteries which feature maximum power density, durability and safety. The battery cells have a wide range of safety devices. Each individual cell is initially formatted and its electrical characteristic curves are recorded. These data are then used exclusively to be able to assemble the best possible battery packs.

Despite all the safety precautions, caution must always be exercised when handling batteries. The following points must be obeyed at all times to ensure safe use. Safe use can only be guaranteed if undamaged cells are used. Incorrect handling can cause cell damage.

Caution! Analyses confirm that incorrect use and poor care are the main causes of the damage caused by high performance batteries.

Information about the battery

1. The battery pack supplied with your cordless tool is not charged. The battery pack has to be charged before you use the tool for the first time.
2. For optimum battery performance avoid low discharge cycles. Charge the battery pack frequently.
3. Store the battery pack in a cool place, ideally at 59°F (15°C) and charged to at least 40%.
4. Lithium-ion batteries are subject to a natural ageing process. The battery pack must be replaced at the latest when its capacity falls to just 80% of its capacity when new. Weakened cells in an aged battery pack are no longer capable of meeting the high power requirements and therefore pose a safety risk.
5. Do not throw battery packs into an open fire. There is a risk of explosion!
6. Do not ignite the battery pack or expose it to fire.
7. **Do not exhaustively discharge batteries.** Exhaustive discharge will damage the battery cells. The most common cause of deep discharge is lengthy storage or non-use of partly discharged batteries. Stop working as soon as the performance of the battery falls noticeably or the electronic protection system triggers. Place the battery pack in storage only after it has been fully charged.

8. **Protect batteries and the tool from overloads.** Overloads will quickly result in overheating and cell damage inside the battery housing without this overheating actually being apparent externally.
9. **Avoid damage and shocks.** Replace batteries which have been dropped from a height of more than one meter or which have been exposed to violent shocks without delay, even if the housing of the battery pack appears to be undamaged. The battery cells inside the battery may have suffered serious damage. In this respect, please also read the waste disposal information.
10. If the battery pack suffers overloading and overheating, the integrated protective cut-off will switch off the equipment for safety reasons. Caution! Do not press the ON/OFF switch any more if the protective cut-off has actuated. This may damage the battery.
11. Use only original battery packs. The use of other batteries may result in injuries, explosion and a fire risk.

Information on chargers and the charging process

1. Please check the data marked on the rating plate of the battery charger. Be sure to connect the battery charger to a power supply with the voltage marked on the rating plate. Never connect it to a different mains voltage.
2. Protect the battery charger and its cable from damage and sharp edges. Have damaged cables repaired without delay by a qualified electrician.
3. Keep the battery charger, batteries and the cordless tool out of children's reach.
4. Do not use damaged battery chargers.
5. Do not use the supplied battery charger to charge other cordless tools.
6. In heavy use the battery pack will become warm. Allow the battery pack to cool to room temperature before commencing with the charging.
7. **Do not over-charge batteries.** Do not exceed the maximum charging times. These charging times apply only to discharged batteries. Frequent insertion of a charged or partly charged battery pack will result in over-charging and cell damage. Do not leave batteries in the charger for days on end.
8. **Never use or charge batteries if you suspect that the last time they were charged was more than 12 months previously.** There is a high probability

- that the battery pack has already suffered dangerous damage (exhaustive discharge).
9. Charging batteries at a temperature below 50°F (10°C) will cause chemical damage to the cell and may cause a fire.
 10. Do not use batteries which have heated during the charging process, as the battery cells may have suffered dangerous damage.
 11. Do not use batteries which have suffered curvature or deformation during the charging process or which show other non-typical symptoms (gassing, hissing, cracking,...)
 12. Never fully discharge the battery pack (recommended depth of discharge max. 80%) A complete discharge of the battery pack will lead to premature ageing of the battery cells.
 13. Never charge the batteries unsupervised.

Protection from environmental influences

1. Wear suitable work clothes. Wear safety goggles.
2. **Protect your cordless tool and the battery charger from moisture and rain.** Moisture and rain can cause dangerous cell damage.
3. Do not use the cordless tool or the battery charger near vapors and inflammable liquids.
4. Use the battery charger and cordless tools only in dry conditions and an ambient temperature of 50°F to 104°F (10°C to 40°C).
5. Do not keep the battery charger in places where the temperature is liable to reach over 40°C. In particular, do not leave the battery charger in a car that is parked in the sunshine.
6. **Protect batteries from overheating.** Overloads, over-charging and exposure to direct sunlight will result in overheating and cell damage. Never charge or work with batteries which have been overheated – replace them immediately if possible.
7. **Storage of batteries, battery chargers and cordless tools.** Store the charger and your cordless tool only in dry places with an ambient temperature of 50°F to 104°F (10°C to 40°C). Store the lithium-ion rechargeable battery in a cool and dry place at 50°F to 68°F (10°C to 20°C). Protect them from humidity and direct sunlight! Place only fully charged batteries in storage (charged at least 40%).
8. Prevent the lithium-ion battery pack from freezing. Battery packs which were stored below 32°F (0°C) for more than 60 minutes must be disposed of.
9. When handling batteries beware of electrostatic charge: Electrostatic discharges

cause damage of the electronic protection system and the battery cells. Avoid electrostatic charging and never touch the battery poles.

Battery Caution + Disposal

Disposal

Should your appliance need replacement after extended use, do not dispose of it with the household refuse, but in an environmentally safe way.



Waste produced by electrical machine items should not be handled like normal household rubbish. Please recycle where recycle facilities exist. Check with your local authority or retailer for recycling advice.

Always dispose of your battery pack according to federal, state, and local regulations. Contact a recycling agency in your area for recycling locations.

⚠ CAUTION! Even discharged battery packs contain some energy. Before disposing, use electrical tape to cover the terminals to prevent the battery pack from shorting, which could cause a fire or explosion.

⚠ WARNING! To reduce the risk of injury or explosion, never burn or incinerate a battery pack even if it is damaged, dead, or completely discharged. When burned, toxic fumes and materials are emitted into the surrounding atmosphere.

1. Batteries vary according to device. Consult your manual for specific information.
2. Install only new batteries of the same type in your product (where applicable).
3. Failure to insert batteries in the correct polarity, as indicated in the battery compartment or manual, may shorten the life of the batteries or cause batteries to leak.
4. Do not mix old and new batteries.
5. Do not mix Alkaline, Standard (Carbon-Zinc), or Rechargeable (Nickel Cadmium, Nickel Metal Hydride, or Lithium-Ion) batteries.
6. Do not dispose of batteries in fire.
7. Batteries should be recycled or disposed of as per state and local guidelines.

When shipping or disposing of batteries and cordless tools, always ensure that they are packed individually in plastic bags to prevent short circuits and fires.

Safety instructions for mitre saws

- a) **Mitre saws are intended to cut wood or wood-like products, they cannot be used with abrasive cut-off wheels for cutting ferrous material such as bars, rods, studs, etc.** Abrasive dust causes moving parts such as the lower guard to jam. Sparks from abrasive cutting will burn the lower guard, the kerf insert and other plastic parts.
- b) **Use clamps to support the workpiece whenever possible. If supporting the workpiece by hand, you must always keep your hand at least 100 mm from either side of the saw blade. Do not use this saw to cut pieces that are too small to be securely clamped or held by hand.** If your hand is placed too close to the saw blade, there is an increased risk of injury from blade contact.
- c) **The workpiece must be stationary and clamped or held against both the fence and the table. Do not feed the workpiece into the blade or cut "freehand" in any way.** Unrestrained or moving workpieces could be thrown at high speeds, causing injury.
- d) **Push the saw through the workpiece. Do not pull the saw through the workpiece. To make a cut, raise the saw head and pull it out over the workpiece without cutting, start the motor, press the saw head down and push the saw through the workpiece.** Cutting on the pull stroke is likely to cause the saw blade to climb on top of the workpiece and violently throw the blade assembly towards the operator.
- e) **Never cross your hand over the intended line of cutting either in front or behind the saw blade.** Supporting the workpiece "cross handed" i.e. holding the workpiece to the right of the saw blade with your left hand or vice versa is very dangerous.
- f) **Do not reach behind the fence with either hand closer than 100 mm from either side of the saw blade, to remove wood scraps, or for any other reason while the blade is spinning.** The proximity of the spinning saw blade to your hand may not be obvious and you may be seriously injured.
- g) **Inspect your workpiece before cutting. If the workpiece is bowed or warped, clamp it with the outside bowed face toward the fence. Always make certain that there is no gap between the workpiece, fence and table along the line of the cut.** Bent or warped workpieces can twist or shift and may cause binding on the spinning saw blade while cutting. There should be no nails or foreign objects in the workpiece.
- h) **Do not use the saw until the table is clear of all tools, wood scraps, etc., except for the workpiece.** Small debris or loose pieces of wood or other objects that contact the revolving blade can be thrown with high speed.
- i) **Cut only one workpiece at a time.** Stacked multiple workpieces cannot be adequately clamped or braced and may bind on the blade or shift during cutting.
- j) **Ensure the mitre saw is mounted or placed on a level, firm work surface before use.** A level and firm work surface reduces the risk of the mitre saw becoming unstable.
- k) **Plan your work. Every time you change the bevel or mitre angle setting, make sure the adjustable fence is set correctly to support the workpiece and will not interfere with the blade or the guarding system.** Without turning the tool "ON" and with no workpiece on the table, move the saw blade through a complete simulated cut to assure there will be no interference or danger of cutting the fence.
- l) **Provide adequate support such as table extensions, saw horses, etc. for a workpiece that is wider or longer than the table top.** Workpieces longer or wider than the mitre saw table can tip if not securely supported. If the cut-off piece or workpiece tips, it can lift the lower guard or be thrown by the spinning blade.
- m) **Do not use another person as a substitute for a table extension or as additional support.** Unstable support for the workpiece can cause the blade to bind or the workpiece to shift during the cutting operation pulling you and the helper into the spinning blade.
- n) **The cut-off piece must not be jammed or pressed by any means against the spinning saw blade.** If confined, i.e. using length stops, the cut-off piece could get wedged against the blade and thrown violently.
- o) **Always use a clamp or a fixture designed to properly support round material such as rods or tubing.** Rods have a tendency to roll while being cut, causing the blade to "bite" and pull the work with your hand into the

- blade.
- p) **Let the blade reach full speed before contacting the workpiece.** This will reduce the risk of the workpiece being thrown.
- q) **If the workpiece or blade becomes jammed, turn the mitre saw off. Wait for all moving parts to stop and disconnect the plug from the power source and/ or remove the battery pack. Then work to free the jammed material.** Continued sawing with a jammed workpiece could cause loss of control or damage to the .mitre saw.
- r) **After finishing the cut, release the switch, hold the saw head down and wait for the blade to stop before removing the cut-off piece.** Reaching with your hand near the coasting blade is dangerous.
- s) **Hold the handle firmly when making an incomplete cut or when releasing the switch before the saw head is completely in the down position.** The braking action of the saw may cause the saw head to be suddenly pulled downward, causing a risk of injury.

Additional safety precautions:

- **Use saw blades which are designed for the purpose and for the material being cut.**
- **Use only blades which are recommended by the manufacturer and comply with EN 847-1.**
- **Use only blades with diameters, hole diameters and tooth pitches which conform with the technical data set out in the original operating instructions.**
- **Use only blades with rotating speeds shown on the blade which are equal to or higher than the rotating speed shown on the power tool.**
- **Do not use saw blades that are blunt, bent or damaged.**
- **Check the direction of rotation whenever you change the saw blade.** There are arrows marked on the machine and saw blade to show the direction of rotation. They must match.
- **Wear gloves to avoid getting cut when you transport and change the saw blades.** Whenever practicable, saw blades must be carried in a container.
- **Before use, check that the safety guard for the saw blade is in proper working order.** If it does not close automatically or is damaged, do not use the equipment any more. In this case, contact the manufacturer or an authorized customer service outlet to get it professionally repaired.
- **If a switch is damaged or defective, arrange for it to be replaced by the manufacturer or an authorized customer service outlet.**
- **Replace worn or damaged table inserts in the saw table with a replacement part, or arrange for them to be replaced by the manufacturer or an authorized customer service outlet.**
- **Only allow repairs to the equipment to be carried out by the manufacturer or an authorized customer service outlet using original parts, otherwise the user may suffer an accident.**
- **Connect a dust extractor to the extractor adapter on the machine.**
- **Make sure that there is adequate stability by always securing the machine to a workbench or a table.** Use the holes in the machine's base frame to secure the machine. Bolt the base frame to a workbench or a table.
- **Secure long workpieces against falling off, e.g. using standard roller stands.**
- **The extensions to the workpiece support must be fastened and used at all times while work is in progress**
- **The machine is designed for cutting wood and wood-type materials.** To prevent the saw blade overheating, perform cuts quickly using blades that are properly sharpened.
- **Do not use this saw to cut fire wood.**
- **The clamping device for securing the workpiece must be used at all times.** Do not cut workpieces which are too small to clamp securely with the clamping device.
- **Transport the machine by the carry handles and the machine's base frame only.**
- **If the machine is equipped with a laser, this laser may not be replaced by a different type of laser.** Repairs to the laser are only allowed to be carried out by the manufacturer or an authorized customer service outlet.
- **The saw blade must be stationary whenever you carry out any tidying up or cleaning work.** Do not remove any cutting residues or other parts of workpieces from the cutting zone while the machine is running and the saw unit is not at rest (at the top).
- **If you need to use an extension cable,**

use one with a minimum cross-section of 1.5 mm² to ensure that the machine is supplied with power.

- If you use a cable reel, the complete cable must be pulled off the reel.
- Keep children and other people away from the equipment. When not in use, stow the equipment in a location that is out of reach of children and unauthorized users.
- Pull out the power plug (or take out the rechargeable battery) and check that the blade does not touch the table or workpiece stop in any cutting position.
- Adopt a safe working position for your work to ensure that neither of your hands could come into contact with the saw blade if they suddenly slip.
- Always stand to the side of the saw blade when working.

Caution! Take extra care when making double miter cuts.

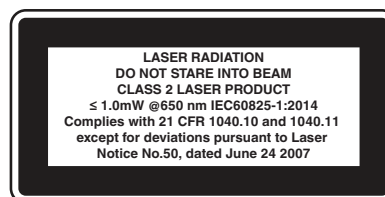
- To rectify faults or remove jammed pieces of wood, always switch off the machine first. Always pull out the power plug (or take out the rechargeable battery).
- Be sure to observe the safety information and operating and maintenance instructions issued by the manufacturer, as well as the maximum workpiece dimensions listed in the technical data.
- Be sure to observe the accident prevention regulations in force in your area as well as all other generally recognized rules of safety. If you are inexperienced in the use of the machine, you can seek the advice of a qualified professional or attend courses to become trained in using the machine.

Keep the safety information and original operating instructions in a safe place and pass them on with the machine if you hand the machine on to another person.

Special information about the laser



Caution: Laser radiation
Do not look into the beam
Laser class 2



- Never look directly into the laser path.
- Never direct the laser beam at reflecting surfaces or persons or animals. Even a low output laser beam can inflict injury on the eye.
- Caution: It is vital to follow the work procedures described in these instructions. Using the equipment in any other way may result in hazardous exposure to laser radiation.
- Never open the laser module.
- It is prohibited to carry out any modifications to the laser to increase its power.
- The manufacturer cannot accept any liability for damage due to non-observance of the safety information.
- Switch off the laser when not in use.

2. Layout and items supplied

2.1 Layout (Fig. 1-14)

1. Handle
2. On/Off switch
3. Release button
4. Machine head
5. Spindle lock
6. Adjustable blade guard
7. Saw blade
8. Clamping device
9. Transport handle
10. Adjustable workpiece support
11. Fixed stop rail
12. Table insert
13. Folding longitudinal stop
14. Locking screw
15. Pointer (saw table)
16. Scale (saw table)

17. Turntable
18. Fixed saw table
19. Scale (saw head)
20. Pointer (saw head)
21. Locking grip
22. Sawdust bag
23. LED lamp
24. On/Off switch for LED lamp
25. Retaining pin
26. Locking screw for clamping device
27. Screw with knurled nut for cutting depth limiter
28. Stop for cutting depth limiter
29. Adjustment screw - 0° setting
30. Adjustment screw - 45° setting
31. Flange bolt
32. Outer flange
33. Holder for clamping device (horizontal)
34. Foot
35. Laser
36. On/Off switch for laser
37. Adjustable stop rail
38. Locking screw for adjustable stop rail
39. Saw blade wrench
40. Angle stop (not included)
41. Hex key (not included)
42. Screw
43. Extractor connection
44. Battery capacity indicator
45. Battery capacity indicator button

2.2 Items supplied

Please check that the article is complete as specified in the scope of delivery. If parts are missing, please contact our service center or the store where you made your purchase at the latest within 5 work days after purchasing the article and upon presentation of a valid bill of purchase.

- Open the packaging and take out the equipment with care.
- Remove the packaging material and any packaging and/or transportation braces (if present).
- Check to see if all the items are supplied.
- Inspect the equipment and accessories for transport damage.
- If possible, keep the packaging until the end of the guarantee period.

Danger!

The equipment and packaging material are not toys. Do not let children play with plastic bags, plastic sheets and small parts. There is a risk of choking and suffocating!

- Cordless crosscut saw
- Adjustable workpiece support (left and right)
- Clamping device
- Sawdust bag
- Saw Blade wrench
- Transport handle
- Original operating instructions
- Safety information

Separately available accessories

- 18V 1.5Ah P-X-C lithium-ion battery
- 18V 2.0Ah P-X-C lithium-ion battery
- 18V 2.6Ah P-X-C Plus lithium-ion battery
- 18V 3.0Ah P-X-C lithium-ion battery
- 18V 4.0Ah P-X-C lithium-ion battery
- 18V 5.2Ah P-X-C Plus lithium-ion battery
- 18V P-X-C charger

Explore battery + charger options at einhellUSA.com

3. Intended use

The cordless crosscut saw is designed for cross-cutting wood and wood-type materials which are appropriate for the machine's size. The saw is not designed for cutting firewood.

The equipment is allowed to be used only for its prescribed purpose. Any other use is deemed to be a case of misuse. The user/operator and not the manufacturer will be liable for any damage or injuries of any kind resulting from such misuse.

Please note that our equipment has not been designed for use in commercial, trade or industrial applications. Our warranty will be voided if the equipment is used in commercial, trade or industrial businesses or for equivalent purposes.



The equipment is to be operated only with suitable saw blades. It is prohibited to use any type of cutting-off wheel.

To use the equipment properly you must also observe the safety information, the assembly instructions and the operating instructions to be found in this manual. All persons who use and service the equipment have to be acquainted with these operating instructions and must be informed about the equipment's potential hazards. It is also imperative to observe the accident prevention regulations in force in your area. The

same applies for the general rules of health and safety at work. The manufacturer will not be liable for any changes made to the equipment nor for any damage resulting from such changes. Even when the equipment is used as prescribed it is still impossible to eliminate certain residual risk factors. The following hazards may arise in connection with the machine's construction and design:

- Contact with the saw blade in the uncovered saw zone.
- Reaching into the running saw blade (cut injuries).
- Kick-back of workpieces and parts of workpieces.
- Saw blade fracturing.
- Catapulting of faulty carbide tips from the saw blade.
- Damage to hearing if essential ear-muffs are not used.
- Harmful emissions of wood dust when used in closed rooms.

4. Technical data

Motor power supply: 18 V 
 Idle speed n_0 3000 min⁻¹ (rpm)
 Carbide
 saw blade: \varnothing 8.5 in. x $\frac{5}{8}$ in. (\varnothing 216 x 16 mm)
 Number of teeth: 40
 Swiveling range: 47° / 0° / +47°
 Miter cut to the left: 0° to 45°
 Saw width at 90°: 4.7 x 2.4 in. (120 x 60 mm)
 Saw width at 45°: 3.2 x 2.4 in. (83 x 60 mm)
 Saw width at 2 x 45°
 (double miter cut left): ...3.1 x 1.3 in. (80 x 34 mm)
 Max. cutting height: 2.4 in. (60 mm)
 Max. workpiece depth: 4.7 in. (120 mm)
 Weight: approx. 17.8 lbs (8 kg)
 Laser class: 2
 Wavelength of laser: 650 nm
 Laser output: \leq 1 mW
 Protection class III/

Minimum workpiece size: Only ever cut workpieces which are big enough to clamp securely with the clamping device – minimum length 6.3 in. (160 mm)

This machine is equipped with a special precision cut saw blade (cutting width 0.07 in./1.8 mm) for cordless crosscut saws. If you use a different saw blade with a larger cutting width, this could result in loss of performance.

This machine is intended for use with rechargeable batteries and chargers from the Einhell Power-X family only. For the current models, please refer to the product descriptions for the articles. These are available online.

Wear ear-muffs.

The impact of noise can cause damage to hearing.

Reduce noise generation and vibration to a minimum!

- Use only equipment that is in perfect condition.
- Maintain and clean the equipment regularly.
- Adapt your way of working to the equipment.
- Do not overload the equipment.
- Have the equipment checked if necessary.
- Switch off the equipment when not in use.
- Wear gloves.

CAUTION!

Residual risks

Even if you use this electric power tool in accordance with the instructions, certain residual risks cannot be eliminated. The following hazards may arise in connection with the equipment's construction and layout:

1. Lung damage if no suitable protective dust mask is used.
2. Damage to hearing if no suitable ear protection is applied.
3. Health damage caused by hand-arm vibrations if the equipment is used over a longer period or is not properly guided and maintained.

5. Before starting the equipment

Warning!

Always remove the battery pack before making adjustments to the equipment.

Be sure to read the following information before you put the cordless equipment into operation:

- Charge the battery pack with the charger. An empty battery pack requires a charging period of approximately 0.5 to 1 hour.

5.1 General information

- The equipment must be set up where it can stand securely, i.e. it should be bolted to a workbench, a universal base frame or similar.
- In the area of the machine's legs (34) there is a fastening hole in each leg. Use them for fastening standard screws, washers, spring washers and nuts (not included in the scope of this delivery - they are available from your dealer). Fasten the machine on all four legs.
- All covers and safety devices have to be properly fitted before the equipment is switched on.
- It must be possible for the blade to run freely.
- When working with wood that has been processed before, watch out for foreign bodies such as nails or screws, etc.
- Before you actuate the On/Off switch, make sure that the saw blade is correctly fitted and that the equipment's moving parts run smoothly.

5.2 Assembling the saw (Fig. 1-5)

- Fasten the transport handle (9) to the machine head (4) using the supplied screws.
- Insert the guide pins of the adjustable workpiece supports (10) into the mounting holes on the machine housing.
- Tighten the fastening screw (42) at the guide pins in order to secure the workpiece supports against falling out.
- To adjust the turntable (17), loosen the locking screw (14) by approx. 2 turns, which frees the turntable (17).
- Turn the turntable (17) and scale pointer (15) to the desired angular setting on the dial (16) and lock into place with the locking screw (14). The saw has locking positions at the following angles: -45°, -40°, -35°, -30°, -22.5°, -15°, -10°, -5°, 0°, 5°, 10°, 15°, 22.5°, 30°, 35°, 40° and 45°.

- To release the saw from its position at the bottom, pull the retaining pin (25) out of the motor mounting while pressing down lightly on the machine head (4). Turn the fastening bolt (25) through 90° before releasing it, so that the saw remains unlocked.
- Swing up the machine head (4).
- The clamping device (8) can be fitted on the left or right of the fixed saw table (18).
- Always fasten the clamping device (8) with the locking screw (26).
- For the horizontal clamping of workpieces you can anchor the clamping device in the holder (33).
- To move out the workpiece supports (10) press the lever on the bottom side of the workpiece support and then pull the workpiece support outwards to the right or left.
- For repeat cuts of identical length you can unfold the longitudinal stop (13).
- When the locking grip (21) is undone, you can tilt the machine head (4) to the left by up to 45°.

5.3 Precision adjustment of the stop for crosscut 90° (Fig. 1.6-7)

- Fasten the turntable (17) in 0° position.
- Undo the locking grip (21) and tilt the machine head (4) all the way to the right using the handle (1).
- Place the 90° angular stop (40) between the blade (7) and the turntable (17).
- Adjust the adjustment screw (29) until the angle between the blade (7) and the turntable (17) equals 90°.
- Finally, check the position of the pointer (20) on the scale (19). If the pointer (20) still does not show the correct angle on the scale, it can be readjusted.
- To readjust it, undo the fastening screw on the pointer (20) using a screwdriver. Move the pointer to the desired scale position and then retighten the fastening screw.
- The angle stop (40) and hex key (41) are not included in the scope of this delivery – they are available from your dealer.

5.4 Precision adjustment of the stop for 45° miter cuts (Fig. 1, 8-9)

- Fasten the turntable (17) in 0° position.
- Undo the locking grip (21) and tilt the machine head (4) all the way to the left to 45° using the handle (1).
- Place the 45° stop angle (40) between the blade (7) and the turntable (17).
- Adjust the adjustment screw (30) so that the angle between the blade (7) and the turntable (17) equals exactly 45°.
- The angle stop (40) and hex key (41) are not included in the scope of this delivery – they are available from your dealer.

5.5 Adjusting the miter angle on the machine head (Fig. 1, 12-13)

- Undo the locking grip (21).
- Hold the machine head (4) by the handle (1).
- After the locking grip is undone, the machine head can be infinitely tilted as well as tilted to various locking positions.
- Angles to the left: 0-45°
- Re-tighten the locking grip (21).

6. Operation

6.1 Using the stop rail (Fig. 1 / Item 37)

Warning! To make 90° crosscuts, the adjustable stop rail (37) must be fixed at the inner position:

- Undo the locking screw (38) of the adjustable stop rail and push the adjustable stop rail inwards.
- The adjustable stop rail (37) must be fixed far enough in front of the innermost position that the distance between the stop rail (37) and the saw blade (7) amounts to a maximum of 0.2 in. (5mm).
- Before making a cut, check that the stop rail and the saw blade cannot collide.
- Tighten the locking screw (38) again.

Warning! To make 0°-45° miter cuts (with the saw head inclined or the turntable set at an angle), the adjustable stop rail must be fixed at an outer position.

- Undo the locking screw (38) of the adjustable stop rail and push the adjustable stop rail outwards.
- The adjustable stop rail (37) must be fixed far enough in front of the innermost position that

the distance between the stop rail (37) and the saw blade (7) amounts to a maximum of 0.2 in. (5mm).

- Before making a cut, check that the stop rail and the saw blade cannot collide.
- Tighten the locking screw (38) again.

6.2 Cross cut 90° and turntable 0° (Fig. 1-3, 10)

- Move the machine head (4) to its upper position.
- Place the piece of wood to be cut at the stop rail (11) and on the turntable (17).
- Lock the material with the clamping device (8) on the fixed saw table (18) to prevent the material from moving during the cutting operation.
- Press the release button (3) to release the machine head (4).
- Press the On/Off switch (2) to start the motor.
- Use the handle (1) to move the machine head (4) steadily and with light pressure downwards until the saw blade (7) has completely cut through the workpiece.
- When the cutting operation is completed, move the machine head (4) back to its upper (home) position and release the On/Off button (2).

Important! The integral resetting springs will automatically lift the machine head. Do not simply let go of the handle (1) after cutting, but allow the machine head (4) to rise slowly, applying slight counter pressure as it does so.

6.3 Cross cut 90° and turntable 0° - 45° (Fig. 1-3, 11)

The crosscut saw can be used to make crosscuts of 0°- 45° to the left and 0° - 45° to the right in relation to the stop rail.

- Release the turntable (17) by undoing the locking screw (14).
- Turn the turntable (17) and scale pointer (15) to the desired angular setting on the dial (16) and lock into place with the locking screw (14).
- Retighten the locking screw (14) to secure the turntable (17) in place.
- Cut as described in section 6.2.

6.4 Miter cut 0° - 45° and turntable 0° (Fig. 1-3, 12)

The crosscut saw can be used to make miter cuts of 0- 45° in relation to the work face.

- If necessary, dismantle the clamping device (8) from the left side of the saw table (18) or mount on the right-hand side of the fixed saw table (18).
- Move the machine head (4) to its upper position.
- Fasten the turntable (17) in 0° position.
- Set the miter angle on the machine head as described in 5.5.
- Cut as described in section 6.2.

6.5 Miter cut 0° - 45° and turntable 0° - 45° (Fig. 1-3, 13)

The crosscut saw can be used to make miter cuts to the left of 0°-45° in relation to the work surface, with simultaneous setting of the turntable from 0°-45° to the left or 0°-45° to the right in relation to the stop rail (double miter cut).

- If required, dismantle the clamping device (8) or mount on the opposite side of the fixed saw table (18).
- Move the machine head (4) to its upper position.
- Release the turntable (17) by undoing the locking screw (14).
- Use the handle (1) to adjust the turntable (17) to the angle required (in this connection see also section 6.3).
- Retighten the locking screw (14) to secure the turntable in place.
- Adjust the miter angle on the machine head and the stop rail as described in section 5.5.
- Cut as described in section 6.2.

6.6 Limiting the cutting depth (Fig. 3)

- The cutting depth can be infinitely adjusted using the screw (27). To do so, undo the nut on the knurled screw (27). Turn the screw (27) in or out to set the required cutting depth and then retighten the knurled nut on the screw (27).
- Check the setting by completing a test cut.

6.7 Sawdust bag (Fig. 2)

The saw is equipped with a sawdust bag (22).

The sawdust bag (22) can be emptied by means of a zipper at the bottom. Press the spring washer of the sawdust bag such that it can be pushed onto the extractor connection (43) of the machine.

6.8 Replacing the saw blade (Fig. 1, 14)

- **Danger!** Remove the rechargeable battery before you replace the blade.
- Wear work gloves to prevent injury when changing the saw blade.
- The hex key (39) is kept on the transport handle.
- Press the spindle locking system (5) with one hand while positioning the hex key (39) on the flange bolt (31) with the other hand. The spindle locking system (5) engages after no more than one rotation.
- Now, using a little more force, slacken the flange screw (31) in the clockwise direction.
- Turn the flange screw (31) right out and remove the external flange (32).
- Take the blade (7) off the inner flange and pull out downwards.
- Carefully clean the flange screw (31), outer flange (32) and inner flange.
- Fit and fasten the new saw blade (7) in reverse order.
- **Important!** The cutting angle of the teeth, in other words the direction of rotation of the saw blade (7) must coincide with the direction of the arrow on the housing.
- Check to make sure that all safety devices are properly mounted and in good working condition before you begin working with the saw again.
- **Important!** Every time that you change the saw blade, check to see that it spins freely in the table insert (12) in both perpendicular and 45° angle settings.
- **Important!** The work to change and align the saw blade (7) must be carried out correctly.

6.9 Transport (Fig. 1-3)

- Retighten the locking screw (14) to secure the turntable (17) in place.
- Activate the release button (3), press the machine head (4) downwards and secure with the safety pin (25). The saw is now locked in its bottom position.
- Carry the machine by the fixed transport handle.
- To set up the equipment again, proceed as described in section 5.2.

6.10 Operating the laser (Fig. 2)

Switching on: Move the On/Off switch (36) to the "I" position to switch on the laser (35). A laser line is projected onto the material you wish to process, providing an exact guide for the cut.

Switching off: Move the On/Off switch (36) to the "0" position.

6.11 Operating the LED lamp (Fig. 2)

For good illumination of the work area you can use the LED lamp in addition to the room lighting. The On/Off switch (24) for the LED lamp is on the top of the machine head, between the handle (1) and the mount for the rechargeable battery.

Switching on: Switch position "I"

Switching off: Switch position "0"

6.12 Electric brake

For safety reasons, the equipment is supplied with an electric brake system for the saw blade. The equipment may therefore emit an odor or generate sparks when it is switched off. This has no influence on the operational performance or safety of the equipment.

6.13 Charging the Li battery pack

The corresponding instructions can be found in the original operating instructions for your charger.

6.14 Battery capacity indicator (Fig. 15 / item 44)

Press the battery capacity indicator switch (45). The battery capacity indicator (44) shows the charge status of the battery using 3 LEDs.

All 3 LEDs lit:

The battery is fully charged.

2 or 1 LED(s) lit:

The battery has an adequate remaining charge.

1 LED flashing:

The battery is empty, recharge the battery.

All LEDs flashing:

The battery pack has been deep-discharged and is defective. Do not re-use or charge a defective battery pack.

7. Cleaning, maintenance and ordering spare parts

HAZARD!

Always take the battery out of the equipment before starting any cleaning work.

7.1 Cleaning

- Keep all safety devices, air vents and the motor housing free of dirt and dust as far as possible. Wipe the equipment with a clean cloth or blow it down with compressed air at low pressure.
- We recommend cleaning the equipment immediately each time after use.
- Clean the equipment regularly with a damp cloth and some soft soap. Do not use cleaning agents or solvents; these may be aggressive to the plastic parts in the equipment. Ensure that no water can get into the interior of the equipment. The ingress of water into an electric power tool increases the risk of an electric shock.

7.2 Carbon brushes

In case of excessive sparking, have the carbon brushes checked by a qualified electrician.

Danger! The carbon brushes should not be replaced by anyone but a qualified electrician.

7.3 Maintenance

There are no other parts inside the equipment which require maintenance.

7.4 Ordering replacement parts: Service

1. **If your power tool requires service, contact an authorized Einhell USA dealer or call the Einhell USA customer service center at 1-866-EINHELL (1-866-346-4355).** Only identical replacement parts should be utilized for repairs. This will ensure that the safety of the power tool is maintained.
2. **If the battery charger cable is damaged, it must be immediately replaced to avoid a hazard.** Contact the Einhell USA® customer service center at 1-866-EINHELL (1-866-346-4355) for assistance.

8. Disposal and recycling

The equipment is supplied in packaging to prevent it from being damaged in transit. The raw materials in this packaging can be reused or recycled. The equipment and its accessories are made of various types of material, such as metal and plastic. Never place defective equipment in your household refuse. The equipment should be taken to a suitable collection center for proper disposal. If you do not know the whereabouts of such a collection point, you should ask in your local council offices.

9. Storage

Store the equipment and its accessories out of children's reach in a dark and dry place at above freezing temperature. The ideal storage temperature is between 41°F and 86°F (5°C and 30°C). Keep the electric tool in its original packaging.

The reprinting or reproduction by any other means, in whole or in part, of documentation and papers accompanying the products is strictly subject to the express consent of iSC GmbH.

Subject to technical changes

Einhell®

EINHELL CUSTOMER PROMISE

QUALITY COMES FIRST. The Einhell name is synonymous with high-performance tools and high-quality European craftsmanship. From cordless screwdrivers to electric lawn mowers, Einhell USA designs and develops state-of-the-art handheld power and garden tools for DIY enthusiasts, hobby gardeners, and handymen.

Einhell USA's quality assurance and engineering teams ensure products are subjected to stringent quality and performance tests. We know that sometimes tough tools go through tough times. In the event that you should experience any issue with your product, you have our commitment that we'll do everything we can to get you back a tool that's ready to work as hard as you do.

PRODUCT REGISTRATION:

Einhell strongly encourages you to register your purchase. You can register online at **EinhellUSA.com**. Failure to register your product purchase will not diminish your warranty rights. However, registering your purchase will allow Einhell to better serve you with any of your customer service needs.

WHAT IS COVERED?

Einhell warrants to the owner that if this Machine fails within 2 years from the date of purchase due to a defect in material or workmanship or as a result of normal wear and tear from ordinary household use, Einhell will send a replacement part or product, as needed, free of charge and with free shipping to the original purchaser. If, in Einhell's sole discretion, the failed Machine cannot be repaired with a part, Einhell will elect to either (A) send a new Machine at no charge and with free shipping or (B) refund the full purchase price to the owner.

WHO CAN SEEK WARRANTY COVERAGE?

This Warranty is extended by Einhell to the owner of this Machine (a "Machine" consists of a product powered by a motor) for residential and personal household use only. This warranty is limited to thirty (30) days from the start of original purchase of any EINHELL brand product that is used for commercial purposes, or any other income-producing purpose. Should ownership of this machine change during the coverage period, please update the Machine's owner information at **EinhellUSA.com**

WHAT IS NOT COVERED?

This warranty does not cover any product that has been subject to misuse, neglect, negligence, or accident, or that has been operated in any way contrary to the operating instructions as specified in the operator's manual. This Warranty does not cover cosmetic changes that do not affect performance.

This Warranty is only valid if the Machine is used and maintained in accordance with the instructions, warnings and safeguards contained in the owner's manual. Einhell will not be responsible for the cost of any unauthorized warranty repairs. This warranty does not cover any cost or expense incurred by the purchaser in providing substitute equipment or service during reasonable periods of malfunction or non-use of this product while waiting for a replacement part or unit under this warranty.

Wearing parts like belts, augers, chains and tines are not covered under this warranty, and can be purchased at **EinhellUSA.com** or by calling **1-866-EINHELL (1-866-346-4355)**. Batteries are covered in full for 90-days from the date of purchase.

Repair, replacement or refund of the purchase price are the exclusive remedies of purchaser and the sole liability of Einhell under this warranty. No employee or representative of Einhell is authorized to make any additional warranty or any modification to this warranty which may be binding upon Einhell. Accordingly, purchaser should not rely upon any additional statements made by any employee or representative of Einhell. In no event, whether based on contract, indemnity, warranty, tort (including negligence), strict liability or otherwise, shall Einhell be liable for any special, indirect, incidental, or consequential damages, including, without limitation, loss of profit or revenue.

Some states do not allow limits on warranties. In such states, the above limitations may not apply to you.

Outside the USA and Canada, other warranties may apply.

Índice de contenidos

1. Instrucciones de seguridad
2. Descripción del aparato y volumen de entrega
3. Uso adecuado
4. Características técnicas
5. Antes de la puesta en marcha
6. Manejo
7. Mantenimiento, limpieza y pedido de piezas de repuesto
8. Eliminación y reciclaje
9. Almacenamiento



Peligro! - Leer el manual de instrucciones para reducir cualquier riesgo de sufrir daños



Cuidado! Usar **protección para los oídos**. La exposición al ruido puede ser perjudicial para el oído.



Cuidado! Es preciso ponerse una **mascarilla de protección**. Puede generarse polvo dañino para la salud cuando se realicen trabajos en madera o en otros materiales. ¡Está prohibido trabajar con material que contenga asbesto!



Cuidado! Llevar **gafas de protección**. Durante el trabajo, la expulsión de chispas, astillas, virutas y polvo por el aparato pueden provocar pérdida de vista.



Almacenamiento de las baterías sólo en espacios secos con una temperatura ambiente de 50°F to 104°F (+10°C to +40°C). Guardar las baterías únicamente cuando estén cargadas (mín. al 40%).



¡Atención! ¡Peligro de sufrir daños! No entrar en contacto con la hoja de la sierra en funcionamiento.



OFF

Interruptor ON/OFF láser



OFF

Interruptor ON/OFF lámpara LED



Aviso: La guía de corte desplazable se debe fijar en una posición exterior para los cortes de ingletes (con cabezal de sierra inclinado o mesa giratoria con ajuste del ángulo). Para cortes oscilantes de 90°, la guía de corte desplazable se debe fijar en la posición interior.

Peligro!

Al usar aparatos es preciso tener en cuenta una serie de medidas de seguridad para evitar lesiones o daños. Por este motivo, es preciso leer atentamente este manual de instrucciones/advertencias de seguridad. Guardar esta información cuidadosamente para poder consultarla en cualquier momento. En caso de entregar el aparato a terceras personas, será preciso entregarles, asimismo, el manual de instrucciones/advertencias de seguridad. No nos hacemos responsables de accidentes o daños provocados por no tener en cuenta este manual y las instrucciones de seguridad.

1. Instrucciones de seguridad**Peligro!**

Lea todas las instrucciones de seguridad e indicaciones. El incumplimiento de dichas instrucciones e indicaciones puede provocar descargas, incendios y/o daños graves. **Guarde todas las instrucciones de seguridad e indicaciones para posibles consultas posteriores.**

Instrucciones generales de seguridad para herramientas eléctricas

El término de "herramienta eléctrica" que se usa en las instrucciones de seguridad se refiere a las herramientas que funcionan en red (con cable de conexión) y con batería (sin cable de conexión).

1. Seguridad en el lugar de trabajo

- a) **Mantener limpia y bien iluminada la zona de trabajo.** *Las zonas de trabajo desordenadas o sin luz pueden conllevar accidentes.*
- b) **No trabajar con este aparato eléctrico en un entorno explosivo en el que se hallen líquidos, gases o polvos inflamables.** *Las herramientas eléctricas generan chispas que pueden inflamar el polvo o los vapores.*
- c) **Mantener alejados a niños y a otras personas fuera del alcance de la herramienta eléctrica.** *Las distracciones pueden hacer perder el control sobre el aparato.*

2. Seguridad eléctrica

- a) **El enchufe del aparato eléctrico debe ser el adecuado para la toma de corriente. El enchufe no debe ser modificado de ningún modo. No emplear adaptadores de enchufe con aparatos eléctricos puestos a tierra.** *Los enchufes sin modificar y las*

tomas de corriente adecuadas reducen el riesgo de una descarga eléctrica.

- b) **Evitar el contacto corporal con superficies con toma de tierra como tubos, calefacciones, fogones y frigoríficos.** *Existe un gran riesgo de descarga eléctrica si su cuerpo se halla puesto a tierra.*
- c) **Mantener los aparatos eléctricos alejados de la lluvia o la humedad.** *Si entra agua en el aparato eléctrico existirá mayor riesgo de una descarga eléctrica.*
- d) **No utilizar el cable de forma inadecuada, no utilizarlo para transportar el aparato, colgarlo o retirarlo de la toma de corriente. Mantener el cable alejado del calor, aceites, cantos afilados o partes del aparato en movimiento.** *Los cables dañados o mal enrollados aumentan el riesgo de descarga eléctrica.*
- e) **Si se trabaja con una herramienta eléctrica al aire libre, emplear sólo alargaderas que también sean adecuadas para el exterior.** *El empleo de una alargadera apropiada para trabajos en el exterior reduce el riesgo de descarga eléctrica.*
- f) **Si no se puede evitar tener que utilizar la herramienta eléctrica en un entorno húmedo, utilizar un dispositivo de protección diferencial.** *El uso de un dispositivo de protección diferencial reduce el riesgo de sufrir una descarga eléctrica.*

3. Seguridad de personas

- a) **Prestar atención al trabajo, comprobar lo que se está haciendo y proceder de forma razonable durante el trabajo de una herramienta eléctrica. No emplear la herramienta eléctrica si se está cansado o bajo la influencia de drogas, alcohol o medicamentos.** *Una mínima falta de atención durante el uso de la herramienta eléctrica puede causar lesiones graves.*
- b) **Llevar equipo de protección personal. Llevar siempre gafas protectoras.** *El equipo de protección (como mascarilla antipolvo, calzado de seguridad antideslizante, casco o protección auditiva) usado en las condiciones adecuadas sirve para reducir las lesiones personales.*
- c) **Prevenir un arranque no intencionado. Asegurarse de que el interruptor se encuentre en la posición OFF antes de conectar la herramienta a la fuente eléctrica y/o BATERÍA, alzarla o transportarla.** *El transporte de herramientas eléctricas con el*

dedo en el interruptor o la activación de herramientas eléctricas con el interruptor en ON puede provocar accidentes.

- d) **Retirar las herramientas de ajuste o la llave antes de conectar la herramienta eléctrica.** *Una herramienta o llave que se haya olvidado en partes giratorias del aparato puede producir lesiones.*
 - e) **Evitar trabajar en una posición corporal inadecuada. Adoptar una posición segura y mantener en todo momento el equilibrio.** *Ello permite controlar mejor la herramienta eléctrica en situaciones inesperadas.*
 - f) **Llevar ropa de trabajo adecuada. No llevar ropa holgada ni joyas durante el trabajo. Mantener el cabello, la ropa y los guantes alejados de las piezas en movimiento.** *La ropa holgada, las joyas o los cabellos largos pueden ser atrapados por las piezas en movimiento.*
 - g) **Si el aparato permite instalar dispositivos de aspiración y recogida del polvo, es preciso asegurarse de que estén conectados y se empleen de forma correcta.** *La utilización de un aspirador de polvo puede reducir los peligros provocados por el mismo.*
 - h) **A pesar de estar muy familiarizado con el uso de las herramientas, no confiarse en exceso ni ignorar las normas de seguridad de la herramienta.** *Un descuido puede conllevar una lesión grave en milésimas de segundo.*
- 4. Empleo y tratamiento de la herramienta eléctrica**
- a) **No sobrecargar el aparato. Usar la herramienta eléctrica específica para cada trabajo.** *Con la herramienta eléctrica adecuada se trabaja mejor y con más seguridad permaneciendo dentro de la potencia indicada.*
 - b) **No usar ninguna herramienta eléctrica cuyo interruptor esté defectuoso.** *Una herramienta eléctrica que ya no pueda conectarse o desconectarse conlleva peligros y debe repararse.*
 - c) **Desconectar el enchufe de la toma de corriente y/o retirar la batería, si es desmontable, de la herramienta eléctrica antes de realizar cualquier ajuste, cambiar accesorios o almacenarla.** *Este tipo de medidas de seguridad preventivas sirve para reducir el riesgo de poner en marcha la herramienta eléctrica de manera involuntaria.*
 - d) **Guardar las herramientas eléctricas que no se usen fuera del alcance de los niños.**

No permitir el uso del aparato a personas que no estén familiarizadas con él o no hayan leído estas instrucciones. *Las herramientas eléctricas son peligrosas si las usan personas sin experiencia.*

- e) **Realizar el mantenimiento de las herramientas eléctricas y los accesorios. Comprobar que las piezas móviles no estén desajustadas ni atascadas, que las piezas no presenten rotura ni otras condiciones que puedan afectar al funcionamiento de la herramienta eléctrica.** *En caso de que la herramienta eléctrica esté dañada, es preciso que sea reparada antes de utilizarla de nuevo.* *Muchos accidentes se provocan a causa de un mantenimiento deficiente de la herramienta eléctrica.*
 - f) **Mantener limpias y afiladas las herramientas de corte.** *Las herramientas de corte bien cuidadas con cantos afilados se bloquean con menor frecuencia y pueden manejarse de forma más sencilla.*
 - g) **Respetar estas instrucciones cuando se desee utilizar la herramienta eléctrica, los accesorios, piezas de recambio, etc. Para ello, tener en cuenta las condiciones de trabajo y la tarea a ejecutar.** *El uso de herramientas eléctricas para otros fines diferentes a los previstos puede originar situaciones peligrosas.*
 - h) **Mantener asas y empuñaduras secas, limpias y libres de aceite y grasa.** *Las asas y empuñaduras resbaladizas impiden manejar con seguridad y controlar la herramienta en situaciones inesperadas.*
- 5. Empleo y tratamiento de la herramienta eléctrica**
- a) **Cargar la batería sólo en cargadores recomendados por el fabricante.** *Existe el peligro de incendio si se utiliza un cargador, indicado sólo para un tipo concreto de baterías, para otro tipo de baterías.*
 - b) **Utilizar sólo las baterías indicadas para la herramienta eléctrica en cuestión.** *El uso de otras baterías puede provocar daños y conllevar peligro de incendio.*
 - c) **Mantener cualquier batería que no se esté utilizando alejada de grapas, monedas, llaves, clavos, tornillos u otros objetos metálicos pequeños que podrían provocar un puenteo de los contactos.** *Un cortocircuito entre los contactos de la batería puede tener como consecuencia quemaduras o provocar fuego.*

- d) **Si se utiliza incorrectamente podría salir líquido de la batería. Evitar el contacto con el líquido. En caso de tocar accidentalmente el líquido, lavar la zona afectada con agua. Si el líquido penetra en los ojos, acudir a un médico. El líquido de la batería puede provocar irritaciones en la piel o quemaduras.**
- e) **No utilizar BATERÍAS ni herramientas que estén dañadas o modificadas. Las baterías dañadas o modificadas pueden manifestar comportamientos impredecibles que pueden dar lugar a incendio, EXPLOSIÓN o riesgo de lesión.**
- f) **No exponer una BATERÍA ni herramienta al fuego o a una temperatura excesiva. La exposición al fuego o a una temperatura superior a los 266°F (130°C) puede provocar una explosión.**
- g) **Seguir todas las instrucciones de carga y no cargar la BATERÍA ni herramienta fuera del margen de temperatura especificado en las instrucciones. Una carga inadecuada o a temperaturas fuera del margen especificado puede dañar la batería e incrementar el riesgo de incendio.**
- 6. Servicio**
- a) **Sólo especialistas cualificados deben reparar la herramienta eléctrica, empleando para ello únicamente piezas de repuesto originales. Esta forma de proceder garantiza la seguridad de la herramienta eléctrica.**
- b) **No reparar nunca BATERÍAS dañadas. La reparación de las BATERÍAS dañadas solo la puede llevar a cabo el fabricante o un distribuidor autorizado.**

Instrucciones de seguridad especiales

Con el fin de ofrecerte baterías con la máxima densidad de energía, larga duración y seguridad, prestamos el mayor cuidado en su montaje. Las celdas de la batería disponen de dispositivos de seguridad de varios niveles. En primer lugar se asigna el formato a cada celda y se registran sus características eléctricas. A continuación, estos datos se utilizan para agrupar las celdas y crear la mejores baterías. **A pesar de todas las medidas de seguridad, siempre es necesario tener precaución al utilizar baterías. Para un funcionamiento seguro es obligatorio tener en cuenta los siguientes puntos.**
¡El funcionamiento seguro sólo está garantizado si las celdas no están dañadas! Un manejo inadecuado puede dañar las celdas.

¡Atención! Los análisis confirman que un uso y un cuidado inadecuados son la principal causa de los daños provocados por baterías de alta potencia.

Advertencias sobre la batería

1. La batería del aparato no se suministra cargada. Antes de la primera puesta en marcha, es preciso recargarla por completo.
2. ¡Para que la batería trabaje de forma óptima evitar ciclos de descarga prolongados! Recargar la batería con frecuencia.
3. Guardar la batería en un lugar fresco, lo ideal son 59°F (15°C), y como mínimo cargada al 40%.
4. Las baterías de iones de litio están sujetas a un desgaste natural. ¡La batería debe ser sustituida como muy tarde cuando su rendimiento sea menor al 80% respecto a su estado cuando era nueva! Las celdas deterioradas de un conjunto de baterías envejecido no cumplen con los altos requisitos de rendimiento, representando un riesgo para la seguridad.
5. No tirar las baterías usadas al fuego. ¡Peligro de explosión!
6. No prender la batería ni exponerla al fuego.
7. **¡Evitar una descarga total de las baterías!** Este tipo de descarga daña las celdas de la batería. La causa más frecuente de la descarga total de la batería es el largo almacenamiento o la no utilización de baterías parcialmente descargadas. Terminar el trabajo en cuanto se aprecie que la potencia disminuye o se activa el sistema electrónico de protección. Almacenar la batería sólo tras haberla cargado completamente.
8. **¡Proteger las baterías y el aparato contra sobrecarga!** La sobrecarga conduce rápidamente a un sobrecalentamiento y daño de las celdas del interior de la carcasa de batería, sin que el sobrecalentamiento se perciba externamente.
9. **¡Evitar daños y golpes!** Sustituir inmediatamente las baterías que hayan caído desde una altura superior a un metro o que hayan sufrido golpes fuertes, incluso aunque la carcasa de la batería no parezca dañada. Las celdas que se encuentren en su interior podrían estar gravemente dañadas. Tener en cuenta también las indicaciones de eliminación.
10. En caso de sobrecarga y sobrecalentamiento, el circuito de protección integrado desconecta el aparato por motivos de seguridad.

¡Atención! Dejar de pulsar el interruptor On/Off cuando el circuito de protección haya desconectado el aparato. Podría dañar la batería.

11. Utilizar exclusivamente baterías originales. El uso de otras baterías puede provocar daños, así como explosión y peligro de incendio.

Advertencias sobre el cargador y el proceso de carga

1. Observar los datos indicados en la placa de identificación del cargador. Conectar el cargador sólo a la tensión nominal indicada en la placa de características.
2. Proteger el cargador y el cable de daños y cantos afilados. Los cables dañados deben ser cambiados exclusivamente por un electricista profesional.
3. Mantener el cargador, las baterías y el aparato fuera del alcance de niños.
4. No emplear cargadores dañados.
5. No emplear el cargador suministrado para cargar otros aparatos a batería.
6. La batería se calienta bajo condiciones extremas de aplicación. Dejar que la batería se enfríe hasta alcanzar la temperatura ambiente antes de empezar a cargar.
7. **¡No cargar demasiado las baterías!** Respetar los tiempos de carga máximos. Estos tiempos de carga se aplican únicamente a baterías descargadas. Si una batería cargada o parcialmente cargada se conecta varias veces al cargador se produce una sobrecarga y un daño de las celdas. No dejar las baterías varios días en el cargador.
8. **No utilizar ni cargar nunca baterías si se tiene la sospecha de que la última carga de la batería puede haberse realizado hace más de 12 meses.** Existe una alta probabilidad de que la batería ya esté gravemente dañada (descarga total).
9. Cargar la batería a una temperatura de menos de 50°F (10°C) provoca daños químicos en las celdas y puede conllevar peligro de incendio.
10. No utilizar baterías que se hayan calentado durante la carga, ya que sus celdas podrían dañarse peligrosamente.
11. Dejar de usar baterías que se hayan deformado o abombado durante la carga, o aquellas que presenten síntomas inusuales (desprendimiento de gases, zumbidos, chasquidos,...)
12. No descargar la batería por completo (nivel de descarga recomendado: máx. 80%). La descarga total provoca un envejecimiento

prematureo de las celdas de la batería.

13. ¡No cargar nunca las baterías sin supervisión!

Protección contra influencias ambientales

1. Ponerse ropa de trabajo adecuada. Ponerse gafas de protección.
2. **Proteger el aparato y el cargador de la humedad y la lluvia.** Éstas podrían provocar daños peligrosos en las celdas.
3. No utilizar el aparato y el cargador cerca de vapores y líquidos inflamables.
4. Utilizar el cargador y el aparato a batería sólo si están secos y a una temperatura ambiente de 50°F-104°F (10-40 °C).
5. No guardar la batería en lugares que puedan alcanzar una temperatura superior a 40 °C, especialmente no en un vehículo aparcado al sol.
6. **¡Proteger las baterías contra un sobrecalentamiento!** La sobrecarga, carga excesiva o la radiación solar conducen a un sobrecalentamiento y al daño de las celdas. No cargar ni trabajar en ningún caso con baterías que se hayan sobrecalentado. Sustituirlas inmediatamente.
7. **Almacenamiento de baterías, cargadores y del aparato.** Guardar siempre el cargador y el aparato en habitaciones secas con una temperatura ambiente de 50°F-104°F (10-40°C). Guardar la batería de iones de litio en un lugar fresco y seco a 50°F-68°F (10-20°C). ¡Proteger de la humedad ambiental y de la radiación solar! Guardar las baterías únicamente cuando estén cargadas (mín. al 40%).
8. Evitar que la batería de iones de litio se hielan. Deshacerse de las baterías que hayan estado guardadas a 32°F (0°C) durante más de 60 minutos.
9. Llevar cuidado con la carga electrostática al manipular baterías: las descargas electrostáticas provocan daños en el sistema electrónico de protección y las celdas de la batería. ¡Evitar por ello la carga electrostática y no tocar nunca los polos de la batería!

Precaución y eliminación de la batería

Eliminación

Si su artefacto necesita ser reemplazado luego de un uso prolongado, no lo arroje a la basura doméstica. Hágalo de una forma ecológica y segura.



Los desechos producidos por máquinas eléctricas no deben ser manipulados como basura doméstica común. Recícelos donde hayan emplazamientos de reciclaje.

Consulte con las autoridades o tienda minorista de su localidad para obtener información sobre reciclaje.

Deshágase de su batería de acuerdo con los reglamentos federales, estatales y locales. Para encontrar lugares de reciclaje, comuníquese con un servicio de reciclaje en su localidad.

⚠ ¡PRECAUCIÓN! Incluso las baterías descargadas contienen algo de energía. Antes de deshacerse de éstas, use cinta aislante para cubrir los terminales y evitar que la batería haga cortocircuito, lo cual puede causar una explosión o incendio.

⚠ ¡ADVERTENCIA! Para reducir el riesgo de lesiones personales o explosión, nunca queme o incinere una batería incluso si está dañada, inservible o completamente descargada. Al ser quemada, los humos y materiales tóxicos son emitidos a la atmósfera circundante.

1. Las baterías varían de acuerdo al dispositivo. Consulte su manual para obtener la información específica.
2. Instale solo nuevas baterías del mismo tipo en su producto (donde corresponda).
3. No insertar las baterías con la polaridad correcta, tal como se indica en el compartimiento de la batería o en el manual, puede reducir el ciclo de vida útil de las baterías o causar fugas en las baterías.
4. No combine baterías nuevas con antiguas.
5. No combine baterías alcalinas, estándar (de zinc-carbono) o recargables (de níquel-cadmio, de níquel-hidruro metálico o de iones de litio).
6. No arroje las baterías al fuego. Pueden llegar a explotar.
7. Las baterías deben ser recicladas o desechadas según los reglamentos locales y estatales.

Para el envío o la eliminación de baterías o del aparato, estos deben embalarse por separado en bolsas de plástico para evitar cortocircuitos o incendios.

Instrucciones especiales de seguridad para sierras ingletadoras oscilantes

- a) **Las sierras ingletadoras oscilantes han sido concebidas para cortar madera o productos de madera. No se pueden utilizar para cortar materiales de hierro como barras, varillas, tornillos, etc.** El polvo abrasivo puede bloquear las piezas móviles como la cubierta de protección inferior. Las chispas de corte quemarán la cubierta de protección inferior, la placa de inserción y otras piezas plásticas.
- b) **A ser posible, fijar la pieza con abrazaderas. Si se sujeta la pieza con la mano, mantener siempre la mano al menos a 100 mm de cada lado de la hoja de la sierra. No utilizar esta sierra para cortar piezas que sean demasiado pequeñas para sujetarlas o cogerlas con la mano.** Si la mano se acerca demasiado a la hoja de la sierra existe inminente riesgo de lesión por contacto con la hoja.
- c) **La pieza tiene que estar inmóvil y bien fijada o presionada contra el tope y la mesa. No desplazar la pieza hacia la hoja de la sierra y no cortar nunca „a mano alzada“.** Las piezas sueltas o móviles pueden salir disparadas a alta velocidad y producir lesiones.
- d) **Desplazar la sierra a través de la pieza. Evitar tirar de la sierra a través de la pieza. Para realizar un corte, elevar el cabezal de la sierra y ponerla sobre la pieza sin cortar. A continuación, encender el motor, mover el cabezal hacia abajo y presionar la sierra a través de la pieza.** Al practicarse un corte oblicuo existe el peligro de que la hoja de la sierra se eleve de la pieza y que la unidad de la hoja de la sierra sacuda bruscamente al operario.
- e) **No cruzar nunca la mano sobre la línea de corte prevista, ni por delante ni por detrás de la hoja de corte.** Es muy peligroso sujetar la pieza „con manos cruzadas“, es decir, sostener la pieza de trabajo a la derecha de la hoja de la sierra con la mano izquierda o viceversa.
- f) **No tocar detrás del tope cuando la hoja de la sierra está en movimiento. La dis-**

tancia mínima de seguridad entre la mano y la hoja de la sierra en movimiento debe ser siempre de 100 mm (en ambos lados de la hoja de la sierra, p. ej. para retirar los restos de madera). Es posible que no se perciba la proximidad de la hoja de la sierra en movimiento con respecto a la mano y, por consiguiente, se sufran lesiones.

- g) Antes de cortar es preciso comprobar la pieza. Si la pieza está torcida o alabeada, sujetarla con el lado torcido hacia el tope. Asegurarse de que a lo largo de la línea de corte no haya ninguna hendidura entre la pieza, el tope y la mesa.** Las piezas torcidas o alabeadas se pueden voltear o mover y bloquear la hoja de la sierra en movimiento. En la pieza no puede haber clavos ni otros cuerpos extraños.
- h) Empezar a utilizar la sierra cuando la pieza esté libre de piezas, restos de madera, etc. en la mesa solo puede encontrarse la pieza.** Restos pequeños, trozos sueltos de madera u otros objetos que entran en contacto con la hoja en movimiento pueden salir disparados a gran velocidad.
- i) Cortar solo una pieza de trabajo a la vez.** Si se apilan varias piezas, no se pueden sujetar o fijar bien y, por consiguiente, pueden bloquear la hoja o resbalarse.
- j) Antes de utilizar la sierra ingletadora oscilante, asegurarse de que se encuentre sobre una superficie de trabajo plana y firme.** Una superficie de trabajo plana y firme evita el peligro de que la sierra sea insegura.
- k) Organizar el trabajo. Cada vez que se vaya a regular la inclinación de la hoja de la sierra o el ángulo de ingletes, asegurarse de que el tope esté bien ajustado y que la pieza esté apoyada sin entrar en contacto con la hoja o con la cubierta de protección.** Sin encender la máquina y sin la pieza en la mesa, se debe simular un movimiento de corte completo de la hoja de la sierra para asegurar que no haya impedimentos ni peligro de corte en el tope.
- l) Si las piezas son más anchas o largas que la superficie de la mesa, asegurarse de que estén bien apoyadas, p. ej. mediante una extensión de mesa o caballete.** Las piezas que sean más largas o anchas que la mesa de la sierra ingletadora oscilante pueden volcarse si no están bien apoyadas. Si un pedazo cortado de madera o la pieza se vuelca, puede levantar la cubierta de protección inferior o salir disparada de manera

incontrolada.

- m) No solicitar a terceros que actúen como „extensión de mesa“ ni que ayude ofreciendo apoyo adicional.** Un apoyo inestable de la pieza pueden provocar que se bloquee la hoja. La pieza también se podría desplazar durante el corte y tirar de uno mismo y del ayudante hacia la hoja giratoria.
- n) No presionar la pieza cortada contra la hoja de la sierra giratoria.** Si se dispone de poco espacio, por ejemplo en caso de usar topes longitudinales, la pieza cortada se puede encañar con la hoja y salir despedida violentamente.
- o) No se puede cortar material redondo.** Las barras tienden a salir rodando, con lo que la hoja se queda „aferrada“ y puede tirar de la pieza que está sujeta con la mano.
- p) Permitir que la hoja alcance la velocidad completa antes de proceder a cortar la pieza.** Así se reduce el riesgo de que la pieza salga disparada.
- q) Apagar la sierra siempre que la pieza se quede pillada o la hoja se bloquee. Esperar a que todas las piezas móviles se paren completamente y desenchufar la sierra y/o sacar la batería. A continuación, retirar el material que se haya quedado pillado.** Si se sigue serrando con este tipo de bloqueo, se puede perder el control y dañar la sierra ingletadora oscilante.
- r) Soltar el interruptor después de terminar el corte, mantener el cabezal de la sierra abajo y esperar a que la hoja se pare antes de retirar la pieza cortada.** Es muy peligroso acercar la mano a la hoja en proceso de paro.
- s) Mantener bien sujeta la empuñadura si se realiza un corte incompleto o si se suelta el interruptor antes de que el cabezal haya alcanzado la posición inferior.** El efecto de frenado de la sierra puede tirar bruscamente del cabezal hacia abajo y se puede correr el riesgo de sufrir lesiones.

Más medidas de seguridad:

- Utilizar hojas de sierra que sean adecuadas para el trabajo a realizar y el material a cortar.
- Utilizar exclusivamente hojas de sierra recomendadas por el fabricante que cumplan la norma EN 847-1.
- Utilizar solo hojas de sierra cuyo diámetro exterior, de perforación y la anchura de sus dientes coincida con los datos

técnicos del manual de instrucciones original.

- **Utilizar exclusivamente hojas de sierra marcadas con una velocidad igual o superior a la velocidad indicada en la herramienta eléctrica.**
- **No utilizar hojas de sierra romas, torcidas o dañadas.**
- **A la hora de cambiar la hoja de la sierra es preciso tener en cuenta el sentido de giro.** Tanto la máquina como la hoja de la sierra están dotadas de flechas que indican el sentido de giro. Dichas flechas tienen que coincidir.
- **Llevar guantes a la hora de transportar y cambiar las hojas con el fin de evitar sufrir cortes.** Siempre que sea posible, las hojas de sierra deberán transportarse en una funda protectora.
- **Antes de utilizar la sierra es preciso comprobar que la cubierta de protección funcione.** Si no cierra bien, no se puede seguir utilizando el aparato. En tal caso, ponerse en contacto con el fabricante o servicio de asistencia técnica autorizado para que la reparen.
- **Si el interruptor está defectuoso, dejar que el fabricante o el servicio de asistencia técnica lo reparen.**
- **Sustituir un revestimiento de la mesa desgastado o dañado por otro de repuesto o dejar que el fabricante o el servicio de asistencia técnica lo cambien.**
- **Permitir que solo el fabricante o un servicio de asistencia técnica autorizado repare el aparato utilizando piezas de repuesto originales, de lo contrario el usuario podría sufrir accidentes.**
- **Conectar un sistema de aspiración de polvo al adaptador de aspiración de la máquina.**
- **Asegurar que exista una estabilidad integral colocando la máquina siempre en un banco de trabajo o una mesa.** Para la fijación emplear las perforaciones que se encuentran en el soporte inferior de la máquina. Atornillar el soporte inferior a un banco de trabajo o a una mesa.
- **Utilizar soportes convencionales o similares para evitar que se vuelquen las piezas largas.**
- **Las extensiones del soporte de la pieza deben estar siempre bien fijadas durante el trabajo.**
- **La máquina ha sido concebida para cortar madera y materiales similares a la madera.** Evitar que la hoja de la sierra se sobrecaliente realizando los cortes de manera rápida y utilizar exclusivamente hojas bien afiladas.
- **No utilizar la sierra para serrar leña.**
- **Utilizar en todo momento el dispositivo para sujetar las piezas.** No cortar piezas que sean demasiado pequeñas para sujetarlas con dicho dispositivo.
- **Para trasladar la máquina utilizar exclusivamente el asa de transporte y el soporte inferior de la máquina.**
- **Si la máquina está dotada de láser, éste no podrá ser cambiado por uno de otro tipo.** Solo el fabricante o un servicio de asistencia técnica autorizado podrán efectuar reparaciones en el láser.
- **Antes de realizar cualquier trabajo de recogida o de limpieza es preciso comprobar que la hoja de la sierra esté parada.** No retirar ningún residuo de corte o demás trozos de material de la zona de corte mientras la máquina esté funcionando y la sierra no haya alcanzado la posición de reposo (arriba).
- **Si se necesita una alargadera, el cable deberá presentar una sección mínima de 1,5 mm² para asegurar que la máquina funcione bien.**
- **Utilizar tambores de cable solo con el cable completamente desenrollado.**
- **Mantener a los niños y otras personas alejadas del aparato.** Guardar el aparato en un lugar fuera del alcance de los niños y otras personas.
- **Con el cable desenchufado (o la batería extraída) asegurarse de que la hoja de la sierra no toca la mesa o el tope en ninguna posición de corte.**
- **Trabajar en una posición segura para asegurarse de que no se corre el peligro de que las manos resbalen y toquen la hoja de la sierra.**
- **A la hora de trabajar, ubicarse siempre al lado de la hoja de la sierra.**

¡Cuidado! Es preciso tener especial cuidado cuando se realicen cortes dobles de ingletes.

- **Para subsanar averías o retirar piezas que se hayan quedado encajadas, apagar antes la máquina y desenchufar siempre el cable (o retirar la batería).**
- **Observar todas las instrucciones de seguridad, trabajo y mantenimiento del fabricante y respetar las medidas máxi-**

mas de la pieza indicadas en los datos técnicos.

- Respetar las prescripciones pertinentes en materia de protección contra accidentes y los demás reglamentos en materia de seguridad. Si no se tiene experiencia con el empleo de la máquina, pedir consejo a un experto o formarse atendiendo a cursos.

Guardar bien las instrucciones de seguridad y el manual de instrucciones y adjuntarlo a la máquina siempre que se vaya a dar a otra persona.

Advertencias especiales sobre el láser



Cuidado! Radiación láser
No mirar directamente el trayecto del rayo
Clase de láser 2



- No mirar jamás directamente en el canal de salida del rayo.
- No dirigir nunca el rayo láser sobre superficies reflectantes, ni tampoco sobre personas ni animales. Incluso un rayo láser de baja potencia puede provocar lesiones oculares.
- Atención: si no se siguen estas instrucciones al pie de la letra se podría producir una exposición peligrosa a las radiaciones.
- Jamás abrir el módulo láser.
- No se permite realizar modificaciones en el láser para aumentar la potencia del láser.
- El fabricante no asume ninguna responsabilidad por los daños resultantes de la no observancia de las advertencias de seguridad.
- Desconectar el láser siempre que no se utilice.

2. Descripción del aparato y volumen de entrega

2.1 Descripción del aparato (fig. 1-14)

1. Empuñadura
2. Interruptor ON/OFF
3. Botón de desbloqueo
4. Cabezal de máquina
5. Bloqueo del husillo
6. Protección móvil para la hoja de la sierra
7. Hoja de la sierra
8. Dispositivo de sujeción
9. Empuñadura para transporte
10. Soporte de la pieza regulable
11. Guía de corte fija
12. Revestimiento de mesa
13. Tope longitudinal abatible
14. Tornillo de fijación
15. Indicador (mesa para sierra)
16. Escala (mesa para sierra)
17. Mesa giratoria
18. Mesa para sierra fija
19. Escala (cabezal de sierra)
20. Indicador (cabezal de sierra)
21. Empuñadura de sujeción
22. Bolsa colectora de virutas
23. Lámpara LED
24. Interruptor ON/OFF lámpara LED
25. Perno de seguridad
26. Tornillo de fijación para el dispositivo de sujeción
27. tornillo con tuerca moleteada, para limitación de profundidad de corte
28. Tope para limitación de profundidad de corte
29. Tornillo de reglaje - posición 0°
30. Tornillo de reglaje - posición 45°
31. Tornillo de la brida
32. Brida exterior
33. Soporte para el dispositivo de sujeción (horizontal)
34. Pata de apoyo
35. Láser
36. Interruptor ON/OFF láser
37. Guía de corte desplazable
38. Tornillo de fijación para guía de corte desplazable
39. Llave para la hoja de la sierra
40. Ángulo tope (no incluye)
41. Llave hexagonal (no incluye)
42. Tornillo
43. Conexión extractora
44. Indicador de capacidad de batería
45. Pulsador para indicar la capacidad de batería

2.2 Volumen de entrega

Sirviéndose de la descripción del volumen de entrega, comprobar que el artículo esté completo. Si faltase alguna pieza, dirigirse a nuestro Service Center o a la tienda especializada más cercana en un plazo máximo de 5 días laborales tras la compra del artículo presentando un recibo de compra válido.

- Abrir el embalaje y extraer cuidadosamente el aparato.
- Retirar el material de embalaje, así como los dispositivos de seguridad del embalaje y para el transporte (si existen).
- Comprobar que el volumen de entrega esté completo.
- Comprobar que el aparato y los accesorios no presenten daños ocasionados durante el transporte.
- Si es posible, almacenar el embalaje hasta que transcurra el periodo de garantía.

Peligro!

¡El aparato y el material de embalaje no son un juguete! ¡No permitir que los niños jueguen con bolsas de plástico, láminas y piezas pequeñas! ¡Riesgo de ingestión y asfixia!

- Sierra oscilante inalámbrica
- Soporte de la pieza regulable (izquierda y derecha)
- Dispositivo de sujeción
- Bolsa colector de virutas
- Llave hexagonal
- Empuñadura para transporte
- Manual de instrucciones original
- Instrucciones de seguridad

Accesorios disponibles por separado

18V 1.5Ah P-X-C batería Li-Ion
 18V 2.0Ah P-X-C batería Li-Ion
 18V 2.6Ah P-X-C Plus batería Li-Ion
 18V 3.0Ah P-X-C batería Li-Ion
 18V 4.0Ah P-X-C batería Li-Ion
 18V 5.2Ah P-X-C Plus batería Li-Ion
 18V P-X-C charger

Explorar las opciones de batería y cargador en einhellUSA.com

3. Uso adecuado

La sierra oscilante inalámbrica sirve para cortar madera y materiales similares, dependiendo del tamaño de la máquina. La sierra no está indicada para cortar leña.

Utilizar la máquina sólo en los casos que se indican explícitamente como de uso adecuado. Cualquier otro uso no será adecuado. En caso de uso inadecuado, el fabricante no se hace responsable de daños o lesiones de cualquier tipo; el responsable es el usuario u operario de la máquina.

Tener en consideración que nuestro aparato no está indicado para un uso comercial, industrial o en taller. No asumiremos ningún tipo de garantía cuando se utilice el aparato en zonas industriales, comerciales o talleres, así como actividades similares.

Sólo está permitido utilizar hojas de sierra adecuadas para este tipo de máquina. Se prohíbe el uso de cualquier tipo de muela de tronzar.

Otra de las condiciones para un uso adecuado es la observancia de las instrucciones de seguridad, así como de las instrucciones de montaje y de servicio contenidas en el manual de instrucciones.

Las personas encargadas de operar y mantener la máquina deben estar familiarizadas con la misma y haber recibido información sobre todos los posibles peligros. Además, es imprescindible respetar al detalle todas las prescripciones vigentes en materia de prevención de accidentes. Es preciso observar también cualquier otro reglamento general en el ámbito de la medicina laboral y técnicas de seguridad.


El fabricante no se hace responsable de los cambios que el operario haya realizado en la máquina ni de los daños que se puedan derivar por este motivo. Existen determinados factores de riesgo que no se pueden descartar por completo, incluso haciendo un uso adecuado de la máquina.

El tipo de diseño y atributos de la máquina pueden conllevar los riesgos siguientes:

- Contacto con la hoja de la sierra en la zona en que se halla al descubierto.
- Entrada en contacto con la hoja de la sierra en funcionamiento (riesgo de heridas por corte).
- Rebote de las piezas con las que se está trabajando o de algunas de sus partes.

- Rotura de la hoja de la sierra.
- Proyección de partículas del revestimiento de metal duro defectuoso procedente de la hoja de la sierra.
- Lesiones del aparato auditivo por no utilizar la protección necesaria.
- Se producen emisiones de polvo de madera perjudiciales para la salud si se usa la sierra en recintos cerrados.

4. Características técnicas

Alimentación de tensión de motor: 18 V 

Velocidad en vacío n_0 : 3000 min⁻¹ (rpm)

Número de percusiones: 0-2900 min⁻¹ (ipm)

Marcha derecha-izquierda: Sí

Alojamiento portatornillos: ¼ plg (6.35 mm)

Peso: aprox. 17.8 lb (8 kg)

Hoja de sierra de metal duro: ø 8.5 plg x 5/8 plg (ø 216 x 16 mm)

Número de dientes: 40

Alcance de giro: -47° / 0° / +47°

Corte de ingletes a la izquierda: de 0° a 45°

Ancho de sierra a 90°: 4.7 x 2.4 plg (120 x 60 mm)

Ancho de sierra a 45°: 3.2 x 2.4 plg (83 x 60 mm)

Ancho de sierra a 2 veces 45° (Corte de ingletes doble izquierda): 3.1 x 1.3 plg (80 x 34 mm)

Altura máx. de corte.: 2.4 plg (60 mm)

Profundidad máx. de pieza.: 4.7 plg (120 mm)

Clase de láser: 2

Longitud de onda láser: 650 nm

Potencia láser: ≤ 1 mW

Clase de protección III/◊

Tamaño mín. de la pieza: cortar solo piezas que sean lo suficientemente grandes para fijarlas con el dispositivo de sujeción (longitud mín. 6.3 plg/160 mm).

La máquina está dotada con una hoja de corte fino (anchura de corte 0.07 plg/1,8 mm) para sierras oscilantes inalámbricas. Si se utiliza otra hoja con una anchura mayor, se pueden producir pérdidas de potencia.

Esta máquina solo se puede utilizar con baterías y cargadores de la familia Power-X de Einhell. Consultar los modelos actuales en las descripciones de productos y artículos disponibles online.

Usar protección para los oídos.

La exposición al ruido puede ser perjudicial para el oído.

¡Reducir la emisión de ruido y las vibraciones al mínimo!

- Emplear sólo aparatos en perfecto estado.
- Realizar el mantenimiento del aparato y limpiarlo con regularidad.
- Adaptar el modo de trabajo al aparato.
- No sobrecargar el aparato.
- En caso necesario dejar que se compruebe el aparato.
- Apagar el aparato cuando no se esté utilizando.
- Llevar guantes.

Cuidado!

Riesgos residuales

Incluso si esta herramienta se utiliza adecuadamente, siempre existen riesgos residuales. En función de la estructura y del diseño de esta herramienta eléctrica pueden producirse los siguientes riesgos:

1. Lesiones pulmonares en caso de que no se utilice una mascarilla de protección antipolvo.
2. Lesiones auditivas en caso de que no se utilice una protección para los oídos adecuada.
3. Daños a la salud derivados de las vibraciones de las manos y los brazos si el aparato se utiliza durante un largo periodo tiempo, no se sujeta del modo correcto o si no se realiza un mantenimiento adecuado.

5. Antes de la puesta en marcha

¡Aviso!

Quitar siempre la batería antes de realizar ajustes en el aparato.

Antes de la puesta en marcha del aparato de batería, es preciso leer las siguientes advertencias:

- Cargar la batería con el cargador. Una batería vacía se carga en aprox. 0.5-1 hora.

5.1 Generalidades

- Colocar la máquina en una posición estable, es decir, fijarla con tornillos a un banco de trabajo, un soporte universal o a otro tipo de soporte.
- En el área de las patas de apoyo (34) en cada pata, la máquina tiene un orificio para su fijación. Para atornillarla, utilizar tornillos,

arandelas, arandelas de muelle y tuercas convencionales (no incluido en el volumen de entrega, disponibles en cualquier ferretería). Fijar la máquina por las cuatro patas.

- Antes de la puesta en marcha, instalar debidamente todas las cubiertas y dispositivos de seguridad.
- La hoja de la sierra debe poder moverse sin problemas.
- En caso de madera ya trabajada, es preciso asegurarse de que la misma no presente cuerpos extraños como, por ejemplo, clavos o tornillos.
- Antes de presionar el interruptor ON/OFF, cerciorarse de que la hoja de la sierra esté bien montada y de que las piezas móviles se muevan con suavidad.

5.2 Montar la sierra (fig. 1-5)

- Fijar la empuñadura para transporte (9) al cabezal de la máquina (4).
- Introducir los pasadores guía de los soportes de la pieza regulables (10) en las perforaciones de alojamiento en la carcasa de la máquina.
- Asegurar los soportes de la pieza para que no se caigan apretando el tornillo de fijación (42) en los pasadores guía.
- Para ajustar la mesa giratoria (17) aflojar el tornillo de fijación (14) dando aprox. 2 vueltas para desbloquear la mesa giratoria (17).
- Girar la mesa giratoria (17) y el indicador (15) hasta conseguir el ángulo deseado en la escala graduada (16) y fijarlo con el tornillo de sujeción (14). La sierra cuenta con posiciones de enclavamiento a -45°, -40°, -35°, -30°, -22,5°, -15°, -10°, -5°, 0°, 5°, 10°, 15°, 22,5°, 30°, 35°, 40° y 45°.
- Presionando ligeramente el cabezal de la máquina (4) hacia abajo y extrayendo simultáneamente los pernos de seguridad (25) del soporte del motor, se desbloqueará la sierra en la posición inferior. Girar el perno de seguridad (25) 90° antes de soltarlo para desbloquear la sierra.
- Girar el cabezal de máquina (4) hacia arriba.
- El dispositivo de sujeción (8) se puede montar tanto a la izquierda como a la derecha de la mesa para sierra fija (18).
- Fijar siempre el dispositivo de sujeción (8) con el tornillo de fijación (26).
- Para sujetar la pieza en posición horizontal, el dispositivo de sujeción se puede fijar en el soporte (33).
- - Para sacar los soportes de la pieza (10) es

preciso presionar la palanca colocada en la parte inferior del soporte y sacarlo hacia la izquierda o derecha.

- Para repetir cortes con la misma longitud se puede abrir el corte longitudinal (13).
- El cabezal de la máquina (4) se puede inclinar hacia la izquierda como máximo 45° soltando la empuñadura de sujeción (21).

5.3 Ajuste de precisión del tope para un corte de 90° (fig. 1,6-7)

- Fijar la mesa giratoria (17) a 0°.
- Soltar la empuñadura de sujeción (21) y, con ayuda de la empuñadura (1), inclinar el cabezal de la máquina (4) hacia la derecha.
- Situar el ángulo tope de 90° (40) entre la hoja de la sierra (7) y la mesa giratoria (17).
- Ajustar el tornillo de reglaje (29) hasta que el ángulo entre la hoja de sierra (7) y la mesa giratoria (17) sea de 90°.
- A continuación comprobar la posición del indicador (20) en la escala graduada (19). Si el indicador (20) todavía no apunta al valor angular adecuado en la escala, se puede reajustar.
- Para ello, soltar el tornillo de fijación del indicador (20) con ayuda de un destornillador. Poner el indicador en la posición deseada y volver a apretar el tornillo de fijación.
- El ángulo tope (40) y la llave de hexágono interior (41) no están incluidos en el volumen de entrega (disponibles en comercios especializados).

5.4 Ajuste de precisión del tope para un corte de ingletes de 45° (fig. 1, 8-9)

- Fijar la mesa giratoria (17) a 0°.
- Soltar la empuñadura de sujeción (21) e inclinar el cabezal de la máquina (4) completamente hacia la izquierda con ayuda de la empuñadura (1) hasta que alcance los 45°.
- Situar el ángulo tope de 45° (40) entre la hoja de la sierra (7) y la mesa giratoria (17).
- Ajustar el tornillo de reglaje (30) hasta que el ángulo existente entre la hoja de sierra (7) y la mesa giratoria (17) sea exactamente de 45°.
- El ángulo tope y la llave Allen (41) no están incluidos en el volumen de entrega (disponibles en comercios especializados).

5.5 Ajuste del ángulo de ingletes al cabezal de la máquina (fig. 2, 12-13)

- Soltar el tornillo de fijación (21).
- Asir el cabezal de la máquina (4) por la empuñadura (1).
- Tras abrir la empuñadura de sujeción se podrá inclinar el cabezal de la máquina de manera continua e incluso en distintas posiciones de enclavamiento.
- Ángulo hacia la izquierda: 0-45°
- Vuelva a apretar la empuñadura de ajuste (21).

6. Manejo

6.1 Guía de corte fig. 1, pos. 37)

Aviso: Para cortes oscilantes en 90°, la guía de corte desplazable (37) debe fijarse en la posición interna:

- Abrir el tornillo de fijación (38) de la guía de corte desplazable y deslizarla hacia adentro.
- La guía de corte desplazable (37) debe bloquearse delante de la posición más interna de forma que la distancia entre la guía de corte (37) y la hoja de la sierra (7) sea de 0.2 plg. (5 mm) como máximo.
- Antes del corte, comprobar que no sea posible una colisión entre la guía de corte y la hoja de la sierra.
- Volver a apretar el tornillo de fijación (38).

Aviso: La guía de corte desplazable (37) se debe fijar en una posición exterior para los cortes de ingletes de 0°-45° (con cabezal de sierra inclinado o mesa giratoria con ajuste en ángulo):

- Abrir el tornillo de fijación (38) de la guía de corte desplazable y deslizarla hacia afuera.
- La guía de corte desplazable (37) debe bloquearse delante de la posición más interna de forma que la distancia entre la guía de corte (37) y la hoja de la sierra (7) sea de 0.2 plg. (5 mm) como máximo.
- Antes del corte, comprobar que no sea posible una colisión entre la guía de corte y la hoja de la sierra.
- Volver a apretar el tornillo de fijación (38).

6.2 Corte de 90° y mesa giratoria 0° (fig. 1-3, 10)

- Colocar el cabezal de la máquina (4) en la posición superior.
- Colocar la madera que desee cortar en la guía de corte (11) y sobre la mesa giratoria (17).
- Comprobar que el material con el dispositivo de sujeción (8) se encuentre sobre la mesa para sierra fija (18) con el fin de evitar que se desplace durante el proceso de corte.
- Para desbloquear el cabezal de máquina (4), presionar el cabezal de desbloqueo (3).
- Para conectar el motor, pulsar el interruptor ON/OFF (2).
- Presionando ligeramente, mover homogéneamente hacia abajo el cabezal de la máquina (4) con ayuda de la empuñadura (1) hasta que la hoja de la sierra (7) haya cortado la pieza.
- Una vez finalizado el proceso de serrado volver a colocar el cabezal de la máquina (4) en la posición de descanso superior y soltar el interruptor ON/OFF (2).

¡Atención! El muelle recuperador hace que la máquina tienda a moverse hacia arriba de forma automática. En este caso, no soltar la empuñadura (1) cuando se haya finalizado el corte, mover el cabezal de la máquina (4) lentamente hacia arriba ejerciendo una ligera contrapresión.

6.3 Corte de 90° y mesa giratoria 0°- 45° (fig. 1-3, 11)

Con la sierra oscilante se pueden realizar cortes oscilantes hacia la izquierda de 0° a 45° y hacia la derecha de 0° a 45° con respecto a la guía de corte.

- Soltar la mesa giratoria (17) aflojando el tornillo de sujeción (14).
- Girar la mesa giratoria (17) y el indicador (15) hasta conseguir el ángulo deseado en la escala graduada (16) y fijarlo con el tornillo de sujeción (14).
- Volver a apretar el tornillo de fijación (14) para fijar la mesa giratoria (17).
- Realice el corte tal y como se describe en el punto 6.2.

6.4 Corte de ingletes 0°- 45° y mesa giratoria 0° (fig. 1-3, 12)

Con la sierra se pueden realizar cortes de ingletes hacia la izquierda de 0° a 45° con respecto a la superficie de trabajo.

- De ser necesario, desmontar el dispositivo de sujeción (8) en el lado izquierdo de la mesa

para sierra (18) o montarlo en el lado derecho de la mesa para sierra fija (18).

- Colocar el cabezal de la máquina (4) en la posición superior.
- Fijar la mesa giratoria (17) a 0°.
- Ajustar el ángulo de ingletes al cabezal de la máquina según se describe en el punto 5.5.
- Realizar el corte tal y como se describe en el punto 6.2.

6.5 Corte de ingletes 0°- 45° y mesa giratoria 0°- 45° (fig. 1-3, 13)

Con la sierra oscilante se pueden realizar cortes de ingletes hacia la izquierda de 0 a 45° con respecto a la superficie de trabajo, si se ajusta al mismo tiempo la mesa giratoria con respecto a la guía de corte, de 0° a 45° hacia la izquierda y 0 a 45° hacia la derecha (corte de ingletes doble).

- En caso necesario desmontar el dispositivo de sujeción (8) o montarlo en el lateral opuesto de la mesa para sierra fija (18).
- Colocar el cabezal de la máquina (4) en la posición superior.
- Soltar la mesa giratoria (17) aflojando el tornillo de sujeción (14).
- Ajustar la mesa giratoria (17) con ayuda de la empuñadura (1) al ángulo deseado (véase el punto 6.3).
- Volver a apretar el tornillo de fijación (14) para fijar la mesa giratoria.
- El ángulo de ingletes en el cabezal de la máquina y la guía de corte se ajustan según se describe en el apartado 5.5.
- Realizar el corte tal y como se describe en el punto 6.2.

6.6 Limitación de profundidad de corte (fig. 3)

- Con ayuda del tornillo (27) se puede regular de forma continua la profundidad de corte. Para ello, soltar la tuerca moleteada en el tornillo (27). Ajustar la profundidad de corte deseada enroscando o desenroscando el tornillo (27) y, a continuación, apretar la tuerca moleteada al tornillo (27).
- Comprobar el ajuste realizando un corte de prueba.

6.7 Bolsa colectora de virutas (fig. 2)

La sierra está dotada de una bolsa colectora de virutas (22). La bolsa colectora de virutas (22) se puede vaciar abriendo la cremallera situada en la parte inferior.

Presionar la arandela de muelle de la bolsa colectora de virutas para que se pueda encajar en

el empalme para la aspiración (43) de la máquina.

6.8 Cómo cambiar la hoja de la sierra (fig. 1, 14)

- ¡Peligro! Antes de cambiar la hoja de la sierra es preciso quitar la batería.
- Al cambiar la hoja de la sierra llevar guantes para evitar sufrir lesiones.
- Guardar la llave de hexágono interior (c) en la empuñadura para el transporte.
- Con una mano, presionar el dispositivo de bloqueo del eje de la sierra (5) y, con la otra mano, poner la llave allen (c) sobre el tornillo de la brida (31). Tras un giro como máximo, el dispositivo de bloqueo del eje de la sierra (5) se enclava.
- Seguidamente, aplicando un poco más de fuerza, aflojar el tornillo de brida (31) girándolo en el sentido de las agujas del reloj.
- Desenroscar completamente el tornillo de la brida (31) y sacar la brida exterior (32).
- Separar la hoja de la sierra (7) de la brida interior y extraerla hacia abajo.
- Limpiar con cuidado el tornillo de la brida (31), la brida exterior (32) y la brida interior.
- Volver a ajustar y apretar la nueva hoja de sierra (7) con la misma secuencia de pasos pero en sentido inverso.
- ¡Atención! La oblicuidad de corte de los dientes, es decir, el sentido de giro de la hoja de la sierra (7), debe coincidir con la dirección de la flecha indicada en la caja.
- Antes de seguir trabajando con la sierra comprobar que todos los dispositivos de protección funcionen correctamente.
- ¡Atención! Después de cada cambio de hoja de sierra, comprobar si dicha hoja gira sin problemas en posición vertical, así como inclinada 45°, en el revestimiento de la mesa (12).
- ¡Atención! La hoja de la sierra (7) se debe cambiar y alinear correctamente.

6.9 Transporte (fig. 1-3)

- Apretar el tornillo de fijación (14) para bloquear la mesa giratoria (17).
- Activar el cabezal de desbloqueo (3), pulsar el cabezal de la máquina (4) hacia abajo y bloquear con el perno de seguridad (25). La sierra está bloqueada en la posición inferior.
- Llevar la máquina en la empuñadura fija para transporte.
- Para volver a montar la máquina, proceder como se indica en el apartado 5.2.

6.10 Funcionamiento de láser (fig. 2)

Conexión: Poner el interruptor ON/OFF del láser (36) en la posición „I“ para conectar el láser (35). Aparece una línea de láser en la pieza a trabajar que muestra el trayecto exacto del corte.

Desconectar: Poner el interruptor ON/OFF (36) en la posición „0“.

6.11 Funcionamiento lámpara LED (fig. 2)

- Para iluminar bien la zona de trabajo, se puede emplear adicionalmente una lámpara LED. El interruptor ON/OFF (24) de la lámpara LED se encuentra en la parte superior del cabezal de la máquina, entre la empuñadura (1) y el alojamiento para la batería.
- Conexión: Posición I“
- Desconexión: Posición 0“

6.12 Freno eléctrico

Por motivos de seguridad, el aparato está equipado con un sistema de frenado eléctrico para la hoja de la sierra. Por este motivo, en la desconexión pueden formarse chispas u olores. ¡Esto no influye en la capacidad o la seguridad de funcionamiento del aparato!

6.13 Cómo cargar la batería de litio

Las instrucciones correspondientes se encuentran en el manual de instrucciones original del cargador.

6.14 Indicador de capacidad de batería (fig. 15/pos. 44)

Pulsar el interruptor para acceder al indicador de capacidad de la batería (45). El indicador de capacidad de batería (44) le indica el estado de carga de la batería sirviéndose de 3 LEDs.

Los 3 LED están iluminados:

La batería está completamente cargada.

2 o 1 LED están iluminados

La batería dispone de suficiente carga residual.

1 LED parpadea:

La batería está vacía, es preciso cargarla.

Todos los LED parpadean

La batería está muy descargada y defectuosa. Está prohibido emplear y cargar una batería defectuosa.

7. Mantenimiento, limpieza y pedido de piezas de repuesto

Peligro!

Desenchufar la batería antes de realizar trabajos de limpieza.

7.1 Limpieza

- Reducir al máximo posible la suciedad y el polvo en los dispositivos de seguridad, las rendijas de ventilación y la carcasa del motor. Frotar el aparato con un paño limpio o soplarlo con aire comprimido manteniendo la presión baja.
- Se recomienda limpiar el aparato tras cada uso.
- Limpiar el aparato con regularidad con un paño húmedo y un poco de jabón blando. No utilizar productos de limpieza o disolventes ya que se podrían deteriorar las piezas de plástico del aparato. Es preciso tener en cuenta que no entre agua en el interior del aparato. Si entra agua en el aparato eléctrico existirá mayor riesgo de una descarga eléctrica.

7.2 Escobillas de carbón

En caso de formación excesiva de chispas, ponerse en contacto con un electricista especializado para que compruebe las escobillas de carbón. **Peligro!** Las escobillas de carbón sólo deben ser cambiadas por un electricista.

7.3 Mantenimiento

No hay que realizar el mantenimiento a más piezas en el interior del aparato.

7.4 Pedido de piezas de repuesto:

Servicio

1. **Si su herramienta eléctrica necesita servicio, póngase en contacto con un distribuidor autorizado de Einhell USA o llame al centro de atención al cliente de Einhell USA 1-866-EINHELL (1-866-346-4355).** Utilice exclusivamente piezas de repuesto idénticas para las reparaciones. Solo así se podrá mantener la seguridad de la herramienta eléctrica.
2. **Si el cable del cargador está dañado, cámbielo de inmediato para evitar peligros.** Si necesita asistencia, llame al centro de atención al cliente de Einhell USA® al 1-866-EINHELL (1-866-346-4355).

8. Eliminación y reciclaje

El aparato está protegido por un embalaje para evitar daños producidos por el transporte. Este embalaje es materia prima y, por eso, se puede volver a utilizar o llevar a un punto de reciclaje. El aparato y sus accesorios están compuestos de diversos materiales, como, p. ej., metal y plástico. Los aparatos defectuosos no deben tirarse a la basura doméstica. Para su eliminación adecuada, el aparato debe entregarse a una entidad recolectora prevista para ello. En caso de no conocer ninguna, será preciso informarse en el organismo responsable del municipio.

9. Almacenamiento

Guardar el aparato y sus accesorios en un lugar oscuro, seco, protegido de las heladas e inaccesible para los niños. La temperatura de almacenamiento óptima se encuentra entre los 41°F y 86°F (5 y 30 °C). Guardar la herramienta eléctrica en su embalaje original.

Sólo está permitido copiar la documentación y documentos anexos del producto, o extractos de los mismos, con autorización expresa de iSC GmbH.

Nos reservamos el derecho a realizar modificaciones técnicas

Einhell®

LA PROMESA DE EINHELL AL CLIENTE

LO PRIMERO ES LA CALIDAD. El nombre de Einhell es sinónimo de herramientas de alto rendimiento y manufactura europea de alta calidad. Desde destornilladores inalámbricos hasta cortacéspedes eléctricos, Einhell USA diseña y desarrolla innovadoras herramientas para jardinería y eléctricas de mano para amantes del DIY, jardineros aficionados y manitas.

Los equipos de aseguramiento de la calidad y de ingenieros de Einhell USA garantizan que los productos se sometan a las pruebas más exigentes en materia de calidad y rendimiento. Sabemos que incluso las herramientas más resistentes pueden sufrir complicaciones. Si nota alguna anomalía en su producto, le aseguramos que haremos todo lo posible para devolverle una herramienta capaz de trabajar satisfaciendo sus exigencias.

REGISTRO DEL PRODUCTO:

Einhell le recomienda encarecidamente que registre su compra. Puede registrarla online en **EinhellUSA.com**. En caso de no hacerlo, el producto comprado no perderá los derechos de garantía. No obstante, registrando su compra permite que Einhell le preste un mejor servicio de atención al cliente cuando lo necesite.

¿QUÉ CUBRE?

Einhell garantiza al propietario que, si esta máquina falla en un plazo de 2 años a partir de la fecha de compra debido a un defecto en el material, en la manufactura o como resultado de un desgaste normal del uso doméstico ordinario, Einhell le enviará una pieza o un producto de repuesto, según se necesite, de manera gratuita y sin gastos de envío al comprador original. Si, a criterio exclusivo de Einhell, la máquina averiada no se puede reparar con una pieza, Einhell decidirá si a) envía una nueva máquina de manera gratuita y sin gastos de envío, o b) reembolsa al propietario el importe completo de la compra.

¿QUIÉN PUEDE OBTENER COBERTURA DE GARANTÍA?

Einhell hace entrega de la presente garantía al propietario de esta máquina (una "máquina" consiste en un producto alimentado por un motor) para un uso exclusivamente doméstico y privado. Esta garantía está limitada a treinta (30) días a partir de la fecha de compra original de cualquier producto de la marca EINHELL que se use para fines comerciales o cualquier otro fin que produzca beneficios. Si la máquina cambia de propietario durante el periodo de cobertura, actualice la información del propietario de la máquina en **EinhellUSA.com**

¿QUÉ NO CUBRE?

Esta garantía no cubre ningún producto que haya sufrido un uso indebido, negligencia, o accidente, o que haya sido operado de forma contraria a las instrucciones de uso especificadas en el manual de servicio. La presente

garantía no cubre cambios estéticos que no afecten al funcionamiento.

Esta garantía solo será válida si la máquina se usa y mantiene conforme a las instrucciones, advertencias e instrucciones de seguridad indicadas en el manual de servicio. Einhell no se hará responsable del coste de ninguna reparación de garantía no autorizada. Esta garantía no cubre ningún costo o gasto incurrido por el comprador al proporcionar equipos sustitutos o servicio durante períodos razonables de avería o no utilización de este producto, mientras se espera por una pieza de repuesto o nuevo producto conforme a esta garantía.

La garantía no cubre piezas de desgaste como correas, brocas, cadenas ni dientes, que se pueden comprar en **EinhellUSA.com** o llamando al **1-866-EINHELL (1-866-346-4355)**. Las baterías están completamente cubiertas durante 90 días a partir de la fecha de compra.

La reparación, sustitución o el reembolso del precio de compra constituyen compensaciones exclusivas del comprador y única responsabilidad de Einhell conforme a esta garantía. Ningún empleado ni representante de Einhell está autorizado a realizar ninguna garantía adicional ni modificación alguna a la presente garantía que pueda ser vinculante para Einhell. Por consiguiente, el comprador no deberá ampararse en ninguna declaración adicional hecha por ningún empleado o representante de Einhell. Einhell no se hace responsable en ningún caso, ya se base en el contrato, indemnización, garantía, agravio (incluyendo negligencia), responsabilidad absoluta o de otro tipo, de ningún daño especial, indirecto, accidental o consecuentes incluyendo, sin limitaciones, la pérdida de beneficios o ingresos.

Algunos estados no permiten límites en las garantías. En dichos estados, no se aplicarán las limitaciones expuestas anteriormente.

Fuera de EE. UU. y Canadá se aplicarán otras garantías.

Sommaire

1. Consignes de sécurité
2. Description de l'appareil et contenu de l'emballage
3. Utilisation conforme
4. Caractéristiques techniques
5. Avant la mise en service
6. Fonctionnement
7. Nettoyage, entretien et commande de pièces de rechange
8. Élimination et revalorisation
9. Conservation



Danger! - Lire le mode d'emploi pour diminuer le risque de blessures



Attention ! Portez une protection auditive. Le bruit peut provoquer une perte d'acuité auditive.



Attention ! Portez un masque anti-poussières. Des poussières nocives peuvent être générées lors des travaux avec le bois et autres matériaux. Ne travaillez pas avec un matériau contenant de l'amiante !



Attention ! Portez des lunettes de protection. Les étincelles créées pendant le travail ou les éclats, les copeaux et les poussières sortant de l'appareil peuvent entraîner la perte de la vue.



Conserver les batteries uniquement dans des locaux secs et à une température ambiante de 50-104 °F (+10-+40 °C). Conserver les batteries uniquement en état chargé (au moins 40 % de charge).



Attention ! Attention ! Risque de blessures ! Ne pas toucher la lame de scie en marche.



OFF

Interrupteur Marche / Arrêt du laser



OFF

Interrupteur Marche / Arrêt de la lampe à DEL



Avertissement ! Le rail de butée coulissant doit être fixé dans une position extérieure pour les coupes à onglet (avec la tête de scie penchée ou la table rotative avec réglage d'angle).
Pour les coupes radiales à 90°, le rail de butée coulissant doit être fixé en position intérieure.

Danger !

Certaines mesures de sécurité doivent être respectées pendant l'utilisation des appareils pour empêcher les blessures et les dommages. Par conséquent, lisez attentivement le présent mode d'emploi / les consignes de sécurité. Conservez-les bien pour avoir les informations toujours à la portée de la main. Si vous devez passer l'appareil à d'autres personnes, veuillez leur remettre également le présent mode d'emploi / les consignes de sécurité. Nous ne sommes pas tenus des accidents ou dommages survenus à cause de non-respect du présent mode d'emploi et des consignes de sécurité.

1. Consignes de sécurité**Danger !**

Lisez toutes les consignes de sécurité et instructions. Le non-respect des consignes de sécurité et des instructions peut causer une électrocution, un incendie et / ou de graves blessures. **Conservez toutes les consignes de sécurité et instructions pour l'avenir.**

Consignes générales de sécurité pour les outils électriques

Le terme « outil électrique » utilisé dans les consignes de sécurité se réfère à des outils électriques alimentés par le secteur (avec câble d'alimentation) et à des outils électriques alimentés par la batterie (sans câble d'alimentation).

1. Sécurité du lieu de travail

- a) **Maintenez votre espace de travail propre et bien éclairé.** *Le désordre ou les espaces de travail non éclairés peuvent provoquer des accidents.*
- b) **Ne travaillez pas avec l'outil électrique dans une atmosphère explosible contenant des liquides, des gaz ou des poussières combustibles.** *Les appareils électriques génèrent des étincelles pouvant enflammer la poussière ou les vapeurs.*
- c) **Tenez à distance les enfants et autres personnes lors de l'utilisation de l'appareil électrique.** *En cas de distraction, vous pouvez perdre le contrôle de l'appareil.*

2. Sécurité électrique

- a) **La fiche de raccordement de l'appareil électrique doit être adaptée à la prise. La fiche ne doit être modifiée en aucune façon. N'utilisez pas de fiche d'adaptateur avec les outils électriques mis à la terre.** *Les fiches non modifiées et les prises adaptées diminuent le risque d'une électrocution.*
 - b) **Évitez le contact physique avec les surfaces mises à la terre, comme celles de conduits, des chauffages, des cuisinières et des réfrigérateurs.** *Il existe un risque élevé d'électrocution lorsque votre corps est mis à la terre.*
 - c) **Gardez les appareils électriques à l'abri de la pluie ou de l'humidité.** *La pénétration de l'eau dans un appareil électrique augmente le risque d'une électrocution.*
 - d) **Ne détournez pas le câble de sa fonction pour porter ou pour accrocher l'appareil électrique ou pour retirer la fiche de la prise. Gardez le câble à l'abri de la chaleur, de l'huile, des bords coupants ou des éléments mobiles de l'appareil.** *Les câbles endommagés ou enchevêtrés augmentent le risque d'une électrocution.*
 - e) **Si vous travaillez avec un appareil électrique dehors, utilisez uniquement une rallonge adaptée à l'usage à l'extérieur.** *L'utilisation d'une rallonge adaptée à l'usage à l'extérieur diminue le risque d'une électrocution.*
 - f) **Si l'appareil électrique doit être utilisé dans un environnement humide, utilisez un disjoncteur de protection à courant de défaut.** *L'utilisation d'un disjoncteur de protection à courant de défaut diminue le risque d'une électrocution.*
- 3. Sécurité des personnes**
- a) **Soyez attentif, prenez garde à ce que vous faites et soyez raisonnable en travaillant avec un outil électrique. N'utilisez pas un appareil électrique si vous êtes fatigué ou si vous vous trouvez sous l'effet de drogues, d'alcool ou de médicaments.** *Un instant d'inattention lors de l'utilisation de l'appareil électrique peut entraîner de graves blessures.*
 - b) **Utiliser l'équipement de protection individuelle. Porter toujours une protection des yeux.** *L'équipement de protection, tel que le masque anti-poussière, les chaussures de sécurité antidérapantes, le casque protecteur ou la protection auditive utilisés dans des*

conditions appropriées, permet de réduire les dommages corporels.

- c) **Éviter tout démarrage non intentionnel. S'assurer que le bouton marche-arrêt est en position OFF avant de connecter la source de courant et/ou la BATTERIE, de prendre et de transporter l'outil.** *Transporter des outils électriques avec votre doigt sur le bouton marche-arrêt ou mettre sous tension des outils électriques dont le bouton marche-arrêt est position ON peut causer des accidents.*
 - d) **Avant d'allumer l'outil électrique, retirez les outils de réglage ou les clés.** *Un outil ou une clé se trouvant dans un élément tournant de la machine peut entraîner des blessures.*
 - e) **Évitez une posture anormale. Ayez un appui stable et gardez l'équilibre en permanence.** *Vous pouvez ainsi mieux contrôler l'outil électrique dans des situations imprévues.*
 - f) **Portez des vêtements appropriés. Ne portez pas de vêtements amples ni de bijoux. Gardez les cheveux, les vêtements et les gants à distance des éléments mobiles.** *Des vêtements amples, bijoux ou longs cheveux peuvent être happés par les éléments mobiles.*
 - g) **Si des dispositifs d'aspiration ou de récupération des poussières peuvent être montés, assurez-vous qu'ils sont connectés et peuvent être utilisés correctement.** *L'utilisation d'une aspiration des poussières peut diminuer les risques causés par la poussière.*
 - h) **La familiarité acquise par l'utilisation fréquente des outils ne doit pas laisser place à la complaisance et à l'ignorance des principes de sécurité de l'outil.** *Une action imprudente peut causer de graves blessures en une fraction de seconde.*
- 4. Utilisation et traitement de l'outil électrique**
- a) **Ne surchargez pas l'appareil. Utilisez pour votre travail l'outil électrique adéquat.** *Vous travaillez mieux et de manière plus sûre avec un outil électrique approprié dans la plage de puissance indiquée.*
 - b) **N'utilisez pas un outil électrique avec un interrupteur défectueux.** *Un outil électrique qui ne peut plus être allumé ou éteint est dangereux et doit être réparé.*
- c) **Débrancher la fiche de la source électrique et / ou retirer le bloc de piles de l'outil électrique, s'il est amovible, avant de procéder à des ajustements, remplacer des accessoires ou ranger les outils électriques.** *De telles mesures préventives réduisent le risque de démarrage intempestif de l'outil électrique.*
 - d) **Conservez les outils électriques non utilisés hors la portée des enfants. Ne permettez pas aux personnes qui ne sont pas familiarisées avec cet appareil ou qui n'ont pas lu ces instructions de l'utiliser.** *Les outils électriques sont dangereux lorsqu'ils sont utilisés par des personnes inexpérimentées.*
 - e) **Entretien des outils électriques et les accessoires.** *Vérifier la dérive d'alignement ou l'attache des pièces mobiles, la rupture des pièces et s'assurer qu'aucun autre problème peut affecter le bon fonctionnement de l'outil électrique. Faire réparer l'outil endommagé avant l'utilisation.* *De nombreux accidents sont dus au mauvais entretien des outils électriques.*
 - f) **Maintenez vos outils de coupe aiguisés et propres. Les outils de coupe aux bords tranchants bien soignés se coincent moins et sont plus aisés à guider.**
 - g) **Utilisez l'outil électrique, les accessoires, les outils utilisés, etc. conformément au présent mode d'emploi. Tenez compte des conditions de travail et de l'activité à réaliser.** *L'utilisation des outils électriques pour des usages autres que prévus peut entraîner des situations dangereuses.*
 - h) **Garder les poignées et les surfaces de prise sèches, propres et exemptes d'huile et de graisse.** *Les poignées et surfaces de prise glissantes ne permettent pas d'effectuer une manipulation et un contrôle de l'outil en toute sécurité dans des situations imprévues.*
- 5. Utilisation et traitement de l'outil sans fil**
- a) **Chargez les batteries uniquement dans les chargeurs recommandés par le fabricant.** *L'utilisation d'un chargeur pour des batteries non appropriées présente un risque d'incendie.*
 - b) **Utilisez dans les outils électriques uniquement les batteries prévues à cet effet.** *L'utilisation d'autres batteries peut entraîner des blessures et le risque d'incendie.*
 - c) **Conservez la batterie non utilisée à distance des trombones, pièces de monnaie,**

clés, clous, vis ou autres menus objets en métal susceptibles de provoquer un pontage des contacts. *Un court-circuit entre les contacts de la batterie peut entraîner des brûlures ou le feu.*

- d) **En cas d'utilisation incorrecte, un liquide peut s'échapper de la batterie. Ne le touchez pas. Rincer à l'eau en cas de contact fortuit. Si le liquide entre en contact avec les yeux, consultez également le médecin.** *Le liquide s'échappant de la batterie peut causer des irritations cutanées ou des brûlures.*
- e) **Ne pas utiliser une BATTERIE ou un outil endommagé(e) ou modifié(e).** *Les batteries endommagées ou modifiées peuvent agir de manière imprévisible et donner lieu à un incendie, une EXPLOSION ou un risque de blessure.*
- f) **Ne pas exposer une BATTERIE ou un outil au feu ou à une température excessive.** *Une exposition au feu ou à une température supérieure à 266°F (130°C) peut causer une explosion.*
- g) **Suivre toutes les instructions de charge et ne pas charger la BATTERIE ou l'outil en dehors de la plage de température spécifiée dans les instructions.** *Un mauvais chargement ou un chargement à des températures en dehors de la plage spécifiée peut endommager la BATTERIE et augmenter les risques d'incendie.*
6. **Service**
- a) **Faites réparer votre outil électrique uniquement par des spécialistes qualifiés et uniquement avec des pièces de rechange d'origine.** *Cela garantit le maintien de la sécurité de l'outil électrique.*
- b) **Ne jamais entretenir des BATTERIES endommagées.** *L'entretien des BATTERIES doit être effectué uniquement par le fabricant ou par des prestataires de service autorisés.*

Consignes spécifiques de sécurité

Nous construisons chaque pack de batterie avec le plus grand soin possible pour pouvoir vous transmettre les batteries avec la densité énergétique, la durabilité et la sécurité maximales. Les cellules de batterie sont munies de dispositifs de sécurité de plusieurs niveaux. Chaque cellule individuelle est d'abord formatée, et leurs courbes caractéristiques sont enregistrées. Ensuite, ces données sont utilisées pour pouvoir regrouper les meilleures batteries possible.

Malgré toutes les mesures de sécurité, il faut toujours être prudent en maniant les batteries. Les points suivants doivent être impérativement respectés pour assurer le fonctionnement sûr.

Le fonctionnement sûr n'est possible qu'avec des cellules intactes ! Une manipulation incorrecte endommage les cellules.

Attention ! Des analyses confirment que l'utilisation gravement inappropriée et des soins incorrects constituent la cause principale des dommages dus aux batteries haute performance.

Consignes concernant les batteries

1. Le pack de batterie de l'appareil sans fil n'est pas chargé à la livraison. Par conséquent, la batterie doit être chargée avant la première mise en service.
2. Évitez des cycles de décharge à plat pour garantir la performance maximale de la batterie ! Chargez souvent votre batterie.
3. Conservez votre batterie au frais, au mieux à 59 °F (+15 °C), et chargée d'au moins à 40 %.
4. Les batteries Lithium-Ion sont sujettes au vieillissement naturel. La batterie doit être remplacée au plus tard lorsque la capacité de la batterie ne correspond plus qu'à 80 % de l'état neuf. Les cellules affaiblies dans un pack de batterie vieilli ne tiennent plus la tête aux exigences élevées en terme de performance et présentent ainsi un risque de sécurité.
5. Ne jetez pas les batteries usées dans le feu ouvert. Risque d'explosion !
6. Ne pas allumer la batterie et ne pas l'exposer à la combustion.
7. **Ne pas décharger complètement la batterie !** La décharge complète endommage les cellules de la batterie. La cause la plus fréquente de la décharge complète du pack de batterie constitue un stockage ou non-utilisation prolongés des batteries à moitié chargées. Terminez l'opération dès que la puissance diminue visiblement ou la protection électronique réagit. Ne conservez la batterie que complètement chargée.
8. **Protéger les batteries et l'appareil contre la surcharge !** Une surcharge provoque rapidement la surchauffe et l'endommagement des cellules à l'intérieur du boîtier de batterie, sans que cela puisse se voir de l'extérieur.
9. **Évitez les détériorations et les chocs !** Remplacez sur-le-champ les batteries ayant

chuté d'une hauteur de plus d'un mètre ou ayant été exposées à des coups violents, même si le boîtier du pack de batterie semble intact. Les cellules de la batterie peuvent être sérieusement endommagées à l'intérieur. Respectez à cet égard également les consignes d'élimination.

10. En cas de surcharge et de surchauffe, le circuit de protection intégré éteint l'appareil pour des raisons de sécurité.

Attention ! N'actionnez plus l'interrupteur marche / arrêt lorsque le circuit de protection a éteint l'appareil. Cela peut endommager la batterie.

11. N'utilisez que des batteries d'origine. L'utilisation d'autres batteries peut entraîner des blessures, une explosion et le risque d'incendie.

Consignes concernant le chargeur et la charge

1. Tenez compte des informations indiquées sur la plaque signalétique du chargeur. Raccordez le chargeur uniquement à la tension d'alimentation indiquée sur la plaque signalétique.
2. Protégez le chargeur et le fil contre l'endommagement et les bords coupants. Les câbles endommagés doivent être immédiatement remplacés par un électricien.
3. Protéger le chargeur, les batteries et l'appareil sans fil contre les enfants.
4. Ne pas utiliser des chargeurs endommagés.
5. N'utilisez le chargeur fourni pour charger d'autres appareils sans fil.
6. En cas de forte sollicitation, le pack de batterie se réchauffe. Laissez refroidir le pack de batterie à la température ambiante avant le chargement.
7. **Ne pas surcharger les batteries !** Respectez les durées maximales du chargement. Ces durées de chargement s'appliquent uniquement aux batteries déchargées. Le branchement répété d'une batterie chargée ou partiellement chargée entraîne la surcharge et l'endommagement des cellules. Ne pas laisser les batteries insérées dans le chargeur pendant plusieurs jours.
8. **N'utilisez ni chargez pas les batteries que vous supposez avoir été chargées pour la dernière fois depuis plus de 12 mois.** Il est hautement probable que la batterie est déjà dangereusement endommagée (déchargement complet).
9. Un chargement à une température inférieure

à 50 °F (10 °C) entraîne une détérioration chimique de la cellule et peut provoquer un incendie.

10. N'utilisez pas de batteries qui se sont réchauffées pendant le chargement, car les cellules de la batterie pourraient être dangereusement endommagées.
11. N'utilisez plus les batteries qui se sont bombées ou déformées pendant le chargement ou qui présentent des symptômes inhabituels (dégazage, sifflement, grésillement, ...).
12. Ne déchargez pas complètement la batterie (déchargement maximal recommandé max. 80 %). Le déchargement complet entraîne un vieillissement précoce des cellules de la batterie.
13. Ne charger jamais les batteries sans surveillance !

Protection contre l'impact environnemental

1. Portez des vêtements de travail appropriés. Porter des lunettes de protection.
2. **Protégez votre appareil sans fil et le chargeur contre l'humidité et la pluie.** L'humidité et la pluie peuvent entraîner des endommagements dangereux des cellules.
3. Ne pas utiliser l'appareil sans fil et le chargeur dans un espace contenant des vapeurs et des liquides combustibles.
4. Utiliser le chargeur et les appareils sans fil uniquement en état sec et à une température ambiante de 50-104 °F (10-40 °C).
5. Ne conservez pas la batterie dans des endroits où la température peut être supérieure à 40 °C, en partic. dans un véhicule garé au soleil.
6. **Protéger les batteries contre la surchauffe !** Une surcharge, un chargement excessif ou le rayonnement solaire entraînent la surchauffe et détériorent les cellules. Ne chargez ni travaillez en aucun cas avec les batteries qui ont été surchauffées, mais remplacez-les sans tarder.
7. **Conservation des batteries, des chargeurs et de l'appareil sans fil.** Conservez le chargeur et votre appareil sans fil uniquement dans des locaux secs à une température ambiante de 50-104 °F (10-40 °C). Conservez la batterie Lithium-Ion au frais et au sec à 50-68 °F (10-20 °C). Protéger contre l'humidité de l'air et le rayonnement solaire direct ! Conserver les batteries uniquement en état chargé (au moins 40 % de charge).
8. Empêchez que la batterie Lithium-Ion gèle. Les batteries qui ont été conservées plus

de 60 minutes au-dessous de 32 °F (0 °C) doivent être éliminées.

9. Attention lors de la manipulation des batteries en rapport avec la charge électrostatique : les décharges électrostatiques endommagent la protection électronique et les cellules de la batterie ! Par conséquent, évitez les décharges électrostatiques et ne touchez jamais les pôles de la batterie !

Mise en garde concernant les batteries et informations sur leur élimination

Élimination

Si votre outil doit être remplacé après une période d'utilisation prolongée, ne le jetez pas avec les ordures ménagères, mais éliminez-le d'une manière respectueuse pour l'environnement.



Les déchets produits par les éléments d'un outil ou d'une machine électrique ne doivent pas être traités comme des déchets ménagers. Veuillez les recycler dans les installations prévues à cet effet.

Pour obtenir des conseils sur le recyclage, communiquez avec les services publics locaux ou avec votre revendeur.

Éliminez toujours les blocs-piles en vous conformant aux réglementations fédérales, provinciales ou territoriales et locales. Communiquez avec un organisme de recyclage de votre région pour obtenir la liste des sites de recyclage.

⚠ MISE EN GARDE! Même déchargé, un bloc-piles emmagasine une certaine énergie. Avant de l'éliminer, utiliser du ruban isolant pour couvrir les bornes et empêcher ainsi le bloc-piles de provoquer un court-circuit, ce qui pourrait causer un incendie ou une explosion.

⚠ AVERTISSEMENT! Pour réduire le risque de blessure ou d'explosion, ne jamais brûler ou incinérer un bloc-piles, même s'il est endommagé, à plat ou complètement déchargé. En brûlant, des vapeurs et des matières toxiques sont émises dans l'atmosphère environnante.

1. Les batteries varient selon le type d'outils ou de machines. Consulter le manuel pour des renseignements spécifiques.
2. Le cas échéant, insérer uniquement des batteries neuves de même type dans l'outil ou la machine.
3. Si, en l'insérant, la polarité de la batterie n'est pas respectée, comme indiqué dans le compartiment à batterie ou dans le manuel, sa durée de vie pourrait être réduite ou elle

pourrait fuir.

4. Ne pas mélanger des batteries anciennes et des neuves.
5. Ne pas mélanger des batteries alcalines, standard (carbone/zinc) ou rechargeables (au nickel-cadmium, au nickel-métal-hydrure ou au lithium-ion).
6. Ne jeter aucune batterie au feu. Les cellules de batterie peuvent exploser.
7. Les batteries doivent être recyclées ou éliminées en observant les directives provinciales ou territoriales et locales.

Pour expédier ou éliminer les batteries ou l'appareil sans fil, veillez à ce qu'ils soient emballés individuellement dans un sac en plastique pour empêcher les courts-circuits ou les incendies !

Consignes de sécurité spécifiques pour les scies radiales à onglet

- a) **Les scies radiales à onglet sont prévues pour couper le bois ou des produits ligneux, elles ne peuvent pas être utilisées pour couper des matériaux ferreux comme les barres, les tiges, les vis, etc.** La poussière abrasive entraîne le blocage des pièces mobiles telles que le capot de protection inférieur. Les étincelles de coupe brûlent le capot de protection inférieur, la plaque d'insertion et autres pièces en plastique.
- b) **Fixez la pièce à usiner, si possible à l'aide d'une pince. Si vous tenez la pièce à usiner avec la main, vous devez toujours avoir la main éloignée de 100 mm du chaque côté de la lame de scie. N'utilisez pas cette scie pour couper des morceaux trop petits pour être serrés ou tenus à la main.** Si votre main se trouve trop près de la lame de scie, il existe un risque élevé de blessure par contact avec la lame.
- c) **La pièce à usiner doit être immobile et soit bien serrée, soit pressée contre la butée et la table. Ne poussez pas la pièce à usiner dans la lame de scie et ne coupez jamais « à main libre ».** Les pièces à usiner qui bougent peuvent être projetées à haute vitesse et causer des blessures.
- d) **Poussez la scie à travers la pièce à usiner. Évitez de tirer la scie à travers la pièce à usiner. Pour effectuer une coupe, levez la tête de scie et tirez-la au-dessus de la pièce à usiner sans couper. Puis, allumez le moteur, basculez la tête de scie**

vers le bas et pressez la scie à travers la pièce à usiner. La coupe « tirante » présente le danger que la lame de scie monte sur la pièce à usiner et que l'unité de lame de scie se projette violemment contre l'opérateur.

- e) **Ne croisez jamais la main au-dessus de la ligne de coupe prévue, ni devant, ni derrière la lame de scie.** Il est très dangereux d'appuyer la pièce à usiner « avec les mains croisées », c.-à-d. de tenir la pièce à usiner à droite à côté de la lame de scie avec la main gauche ou inversement.
- f) **Ne mettez pas les mains derrière la butée lorsque la lame de scie tourne. Ne réduisez jamais une distance de sécurité de 100 mm entre la main et la lame de scie tournante (vaut pour les deux côtés de la lame de scie, p. ex., en retirant les débris de bois).** Il se peut que vous ne puissiez pas reconnaître la proximité de la lame de scie tournante avec votre main, au risque de vous blesser grièvement.
- g) **Vérifiez la pièce à usiner avant la coupe. Si la pièce à usiner est tordue ou déformée, serrez-la contre la butée en tournant le côté courbé vers l'extérieur. Assurez-vous toujours qu'il n'y a pas d'écart entre la pièce à usiner, la butée et la table le long de la ligne de coupe.** Les pièces à usiner tordues ou déformées peuvent se tordre ou se déplacer et entraîner un blocage de la lame de scie tournante pendant la coupe. La pièce à usiner ne doit comporter des clous ni des pièces étrangères.
- h) **Utilisez la scie seulement après avoir déblayé la table des outils, débris de bois, etc. ; la pièce à usiner seule doit se trouver sur la table.** De petits débris, des morceaux de bois en vrac ou autres objets entrant en contact avec la lame tournante peuvent être projetés à grande vitesse.
- i) **Ne coupez qu'une pièce à usiner à la fois.** Les pièces à usiner empilées ne peuvent pas être serrées ni fixées correctement et peuvent entraîner un blocage de la lame ou glisser pendant le sciage.
- j) **Placez la scie radiale à onglet sur une surface de travail plane et solide avant le travail.** Une surface de travail plane et solide empêche que la scie radiale à onglet devienne instable.
- k) **Planifiez votre travail. À chaque réglage de l'inclinaison de la lame de scie ou de l'angle d'onglet, ajustez correctement la butée réglable et soutenez la pièce à usiner sans toucher la lame ou le capot de protection.** Sans mettre la machine en marche et sans placer la pièce à usiner sur la table, simuler un mouvement de coupe de la lame de scie complet pour s'assurer qu'il n'y aura pas d'entraves ni risque de coupe dans la butée.
- l) **Soutenez de manière appropriée les pièces à usiner plus larges ou plus longues que la surface de la table, p. ex. au moyen des rallonges ou chevalets de sciage.** Les pièces à usiner plus longues ou plus larges que la table de la scie radiale à onglet peuvent se renverser si elles ne sont pas bien fixées. Si un morceau de bois coupé ou la pièce à usiner se renversent, ils peuvent soulever le capot de protection inférieur ou être projetées de la lame tournante de façon incontrôlée.
- m) **N'utilisez pas d'autres personnes pour remplacer la rallonge ni pour un maintien supplémentaire.** Un maintien instable de la pièce à usiner peut entraîner le blocage de la lame. De même, la pièce à usiner peut se déplacer pendant la coupe et entraîner vous et votre assistant dans la lame tournante.
- n) **Le morceau découpé ne doit pas être pressé contre la lame de scie tournante.** Si la place est insuffisante, p. ex. en cas d'utilisation de butées longitudinales, le morceau découpé peut caler dans la lame et projeté violemment.
- o) **Le matériau rond ne doit pas être découpé.** Les tiges ont tendance à rouler pendant la coupe, de sorte que la lame peut s'accrocher et la pièce à usiner dans votre main peut être tirée dans la lame.
- p) **Attendez que la lame atteigne la pleine vitesse avant de couper la pièce à usiner.** Cela réduit le risque de projection de la pièce à usiner.
- q) **Si la pièce à usiner se coince et si la scie se bloque, arrêtez la scie radiale à onglet. Attendez que toutes les pièces mobiles s'arrêtent, retirez la fiche secteur et / ou retirez la batterie. Retirez ensuite le matériau coincé.** Si vous continuez à scier en cas d'un tel blocage, cela peut entraîner la perte de contrôle ou l'endommagement de la scie radiale à onglet.
- r) **Relâchez l'interrupteur une fois la coupe terminée, gardez la tête de scie en bas et attendez que la lame s'arrête avant de retirer la pièce coupée.** Il est très dangereux de mettre la main à proximité de la lame en

fin de course.

- s) **Tenez fermement la poignée si vous effectuez une coupe incomplète ou si vous relâchez l'interrupteur avant que la tête de scie n'atteigne la position inférieure.**
Le freinage de la scie peut tirer la tête de scie vers le bas de façon saccadée, ce qui représente un risque de blessure.

Autres mesures de sécurité :

- **Utilisez les lames adaptées à l'utilisation prévue et au matériau à découper.**
- **Utilisez uniquement les lames de scie recommandées par le fabricant qui sont conformes à EN 847-1.**
- **Utilisez uniquement les lames de scie dont le diamètre extérieur, le diamètre de perçage et la largeur de dent correspondent aux données techniques des instructions de service d'origine.**
- **Utilisez uniquement les lames de scie marquées pour une vitesse égale ou supérieure à la vitesse indiquée sur l'outil électrique.**
- **N'utilisez pas de lames de scie émoussées, tordues ou endommagées.**
- **Respectez le sens de rotation lors du changement de lames de scie.** Les flèches de sens de rotation sont indiquées sur la machine et sur la lame de scie. Elles doivent concorder.
- **Lors du transport et du remplacement des lames de scie, portez des gants pour éviter les coupures.** Lorsque c'est possible, les lames de scie doivent toujours être portées dans un conteneur.
- **Avant l'utilisation, vérifiez si le capot de protection de la lame de scie fonctionne bien.** S'il ne se ferme pas tout seul ou s'il est endommagé, l'appareil ne doit plus être utilisé. Dans un tel cas, contactez le fabricant ou un service à la clientèle autorisé pour faire réparer l'appareil par un professionnel.
- **Faites remplacer les interrupteurs endommagés ou défectueux par le fabricant ou un service à la clientèle autorisé.**
- **Remplacez les inserts de tables dans la table de scie usés ou endommagés par une pièce de rechange ou faites-les remplacer par le fabricant ou un service à la clientèle autorisé.**
- **Faites remplacer les pièces défectueuses par des pièces originales uniquement par le fabricant ou un service à la clientèle autorisé, au risque de provoquer des accidents pour l'utilisateur.**
- **Raccordez l'aspiration de la poussière à l'adaptateur d'aspiration de la machine.**
- **Veillez à la stabilité suffisante en fixant toujours la machine à un établi ou à une table.** Utilisez pour la fixation les perçages pratiqués dans le socle de la machine. Vissez le socle à un établi ou une table.
- **Protégez les pièces à usiner longues contre le basculement, p. ex., au moyen des supports pour rouleaux courants.**
- **Les extensions du support de pièce à usiner doivent toujours être fixées et utilisées pendant le travail.**
- **La machine convient pour couper du bois et des matériaux ligneux.** Évitez la surchauffe de la lame de scie, en exécutant les coupes rapidement et uniquement les lames de scie correctement affûtées.
- **N'utilisez pas la scie pour couper du bois de chauffage.**
- **Utiliser toujours le dispositif de serrage pour fixer les pièces à usiner.** Ne découpez pas les pièces à usiner trop courtes pour être tenues au moyen du dispositif de serrage.
- **Pour le transport de la machine, utilisez uniquement les poignées de transport et le socle de la machine.**
- **Si la machine est équipée d'un laser, ce dernier ne doit pas être remplacé par le laser d'un autre type.** Les réparations du laser doivent être effectuées uniquement par le fabricant ou par un service à la clientèle autorisé.
- **La lame de scie doit se trouver à l'arrêt pendant tous les travaux de déblayage et de nettoyage.** Ne retirez pas les restes de coupe ou autres parties de la pièce à usiner de la zone de la coupe tant que la machine reste en marche et tant que l'unité de sciage n'a pas encore atteint la position de repos.
- **Si un câble de rallonge est nécessaire, utilisez une section minimale de 1,5 mm² pour fournir de l'électricité à la machine.**
- **N'utilisez les bobines de câble qu'en état déroulé.**
- **Éloignez les enfants et autres personnes de l'appareil.** Rangez l'appareil non utilisé dans un endroit inaccessible aux enfants et aux utilisateurs non autorisés.
- **Assurez-vous que la lame de scie ne touche pas la table ni la butée de la pièce à usiner dans aucune position de coupe lorsque l'appareil est débranché (respec-**

- **tivement lorsque la batterie est retirée).**
- **Travaillez dans une position de travail sûre pour éviter qu'une ou les deux mains puissent toucher la lame de scie en cas d'un glissement inopiné.**
- **Placez-vous toujours à côté de la lame de scie pendant le travail.**

Attention ! Les doubles coupes à onglet exigent une prudence particulière.

- **Éteignez toujours la machine pour faire cesser les dysfonctionnements ou pour enlever les pièces à usiner coincées.**
Débranchez toujours l'appareil (ou retirez la batterie).
- **Respectez toutes les consignes de sécurité, de travail et de maintenance du fabricant et les dimensions maximales des pièces à usiner indiquées dans les données techniques.**
- **Respectez les réglementations en matière de prévention des accidents en vigueur ainsi que les autres règles techniques de sécurité reconnues.** Si vous n'avez pas de l'expérience avec l'utilisation de la machine, vous pouvez consulter un professionnel qualifié ou vous former à l'utilisation de la machine en suivant des cours.

Conservez les consignes de sécurité et les instructions de service d'origine et transmettez-les à d'autres personnes avec la machine.

Indications spécifiques concernant le laser



**Attention : Rayonnement laser
Ne pas regarder dans le faisceau
Classe de laser 2**



- Ne jamais regarder dans le faisceau.
- Ne jamais diriger le laser sur des surfaces réfléchissantes ni sur des personnes ou des animaux. Même un laser de faible puissance

- peut endommager l'œil.
- Attention – l'exécution de procédures autres que celles exposées ici peut provoquer une exposition dangereuse au rayonnement.
- Ne jamais ouvrir le module laser.
- Il n'est pas autorisé de modifier l'appareil pour augmenter la puissance du laser.
- Le fabricant décline toute responsabilité des dommages dus à la non-observation des consignes de sécurité.
- Éteignez le laser si vous n'en avez plus besoin.

2. Description de l'appareil et contenu de l'emballage

2.1 Description de l'appareil (fig. 1-14)

1. Poignée
2. Interrupteur de Marche / Arrêt
3. Bouton de déverrouillage
4. Tête de machine
5. Blocage de la broche
6. Protection mobile de la scie
7. Lame de scie
8. Dispositif de serrage
9. Poignée de transport
10. Support de pièce à usiner réglable
11. Rail de butée fixe
12. Insert de table
13. Butée longitudinale pliable
14. Vis de fixation
15. Pointeur (table de sciage)
16. Échelle (table de sciage)
17. Table rotative
18. Table de sciage fixe
19. Échelle (tête de scie)
20. Pointeur (tête de scie)
21. Poignée de fixation
22. Sac pour les copeaux
23. Lampe à DEL
24. Interrupteur Marche / Arrêt de la lampe à DEL
25. Boulon de sécurité
26. Vis de fixation du dispositif de serrage
27. Vis avec écrou moleté pour la limitation de la profondeur de coupe
28. Butée de la limitation de la profondeur de coupe
29. Vis d'ajustement – position à 0°
30. Vis d'ajustement – position à 45°
31. Vis à brides
32. Bride extérieure
33. Support pour le dispositif de serrage (horizontal)

- 34. Pied d'appui
- 35. Laser
- 36. Interrupteur Marche / Arrêt du laser
- 37. Rail de butée coulissant
- 38. Vis de fixation pour le rail de butée coulissant
- 39. Clé de lame de scie
- 40. L'angle de butée (non inclus)
- 41. Clé hex (non inclus)
- 42. Vis
- 43. Connexion de l'extracteur
- 44. Témoin de charge de la batterie
- 45. Bouton de témoin de charge de la batterie

2.2 Contenu d'emballage

Veillez contrôler l'intégralité de l'article au moyen du contenu d'emballage décrit. En cas de pièces manquantes, veuillez contacter notre centre de service à la clientèle ou le point de vente où vous avez acheté l'appareil au plus tard dans les 5 jours ouvrables à compter de l'achat de l'article en présentant un ticket de caisse valable.

- Ouvrez l'emballage et retirez-en prudemment l'appareil.
- Enlevez le matériau d'emballage ainsi que les sécurités d'emballage et de transport (le cas échéant).
- Contrôlez l'intégralité du contenu d'emballage.
- Vérifiez si l'appareil et les accessoires présentent des dommages dus au transport.
- Si possible, conservez l'emballage jusqu'à l'expiration de la durée de garantie.

Danger !

L'appareil et le matériau d'emballage ne sont pas un jouet ! Les enfants ne doivent pas jouer avec des sachets en plastique, des films ou de petites pièces ! Il existe le risque d'ingestion et de suffocation !

- Scie radiale sans fil
- Support de pièce à usiner réglable (à gauche et à droite)
- Dispositif de serrage
- Sac pour les copeaux
- Clé de lame à scie
- Poignée de transport
- Mode d'emploi d'origine
- Consignes de sécurité

Accessoires disponibles séparément

- 18V 1,5Ah P-X-C batterie Li-ion
 - 18V 2,0Ah P-X-C batterie Li-ion
 - 18V 2,6Ah P-X-C Plus batterie Li-ion
 - 18V 3,0Ah P-X-C batterie Li-ion
 - 18V 4,0Ah P-X-C batterie Li-ion
 - 18V 5,2Ah P-X-C Plus batterie Li-ion
 - 18V P-X-C chargeur
- Explorez les options de batterie + chargeur sur einhellUSA.com

3. Utilisation conforme

La scie radiale sans fil sert pour tronçonner du bois et des matériaux ligneux conformément à la taille de la machine. La scie ne convient pas pour couper du bois de chauffage.

La machine ne doit être utilisée que conformément à sa destination. Toute autre utilisation dépassant ce cadre n'est pas conforme. C'est l'utilisateur / l'opérateur qui est responsable de tous les dommages ou blessures de toute nature en résultant et non pas le fabricant.

Veillez noter que nos appareils n'ont pas été conçus pour une utilisation commerciale, artisanale ou industrielle. Nous n'accordons aucune garantie si l'appareil est utilisé dans des entreprises commerciales, artisanales ou industrielles ou pour des activités équivalentes.



Seules les lames de scie adaptées à la machine doivent être utilisées. Il est interdit d'utiliser les disques de coupe de toute nature.

Le respect des consignes de sécurité ainsi que des instructions de montage et de fonctionnement du mode d'emploi font partie de l'utilisation conforme. Les personnes qui utilisent et entretiennent la machine doivent être familiarisées avec elle et être instruits des dangers possibles. De surcroît, les réglementations en matière de prévention des accidents en vigueur doivent être respectées très précisément. D'autres règles générales en matière de médecine de travail et de sécurité technique doivent être observées. Toute modification de la machine exclue totalement la responsabilité du fabricant des dommages en résultant. Malgré l'utilisation conforme, certains facteurs de risque ne peuvent pas être complètement éliminés. En raison de la construction et de la structure de l'appareil, les points suivants sont

possibles :

- Contact avec la lame dans la zone de sciage non protégée.
- Contact avec la lame de scie en marche (coupure)
- Rebond des pièces à usiner et des parties des pièces à usiner.
- Débris de la lame de scie.
- Projection des pièces en métal dur défec-tueuses de la lame de scie.
- Lésions auditives en cas de non-utilisation de la protection auditive.
- Émissions de poussières de bois nocives en cas d'utilisation dans des espaces fermés.

4. Caractéristiques techniques

Alimentation électrique du moteur: 18 V 
 Vitesse à vide n₀:3000 tr/min
 Lame de scie
 en métal dur : ..ø 216 x 16 mm (ø 8,5 po. x 5/8 po.)
 Nombre de dents : 40
 Plage de pivotement 47° / 0° / +47°
 Coupe à onglet à gauche :0° à 45°
 Largeur de
 lame à 90° 120 x 60 mm (4,7 x 2,4 po.)
 Largeur de lame à 45° 83 x 60 mm (3,2 x 2,4 po.)
 Largeur de lame à 2 x 45° (Double coupe
 à onglet à gauche) : 80 x 34 mm (3,1 x 1,3 po.)
 Hauteur de coupe max. : 60 mm (2,4 po.)
 Profondeur de pièce
 à usiner max. : 120 mm (4,7 po.)
 Poids:env. 8 kg (17,8 lb)
 Classe de laser 2
 Longueur d'onde du laser : 650 nm
 Puissance du laser : ≤ 1 mW
 Classe de protection III / 

Taille minimale de la pièce à usiner : Découpez uniquement les pièces à usiner suffisamment longues pour être fixées au moyen du dispositif de serrage – longueur moyenne 160 mm (6,3 pouces).

Cette machine est équipée d'une lame de coupe fine particulière (largeur de coupe 1,8 mm/0.07 po.) pour les scies radiales sans fil. Si une autre lame de scie avec une largeur de coupe plus grande est utilisée, cela peut entraîner des pertes de performance.

Cette machine doit être utilisée exclusivement avec la batterie et les chargeurs correspondants de la famille Power-X d'Einhell. Veuillez trouver les modèles actuels dans les descriptions des produits disponibles en ligne.

Portez une protection auditive.

Le bruit peut provoquer une perte d'acuité auditive.

Limitez à un minimum l'émission de bruit et les vibrations !

- Utilisez uniquement des appareils irréprochables.
- Entretenez et nettoyez l'appareil régulièrement.
- Adaptez votre méthode de travail à l'appareil.
- Ne surchargez pas l'appareil.
- Faites examiner l'appareil le cas échéant.
- Éteignez l'appareil lorsqu'il n'est plus utilisé.
- Portez des gants.

Attention !

Risques résiduels

Il existe toujours des risques même si vous vous servez correctement de cet outil électrique. Les risques suivants peuvent se produire en rapport avec la structure et la réalisation de cet outil électrique :

1. Lésions pulmonaires, si vous ne portez pas de masque anti-poussières approprié.
2. Lésions auditives, si vous ne portez pas de protection auditive appropriée.
3. Dommages pour la santé résultant des vibrations mains-bras, si votre appareil est utilisé d'une manière prolongée ou tenu et entretenu de manière incorrecte.

5. Avant la mise en service

Avertissement !

Retirez toujours la batterie avant de régler l'appareil.

Lisez impérativement ces remarques avant la mise en service de votre appareil sans fil :

- Chargez la batterie avec le chargeur. Une batterie vide est chargée en 0,5-1 heure.

5.1 Généralités

- La machine doit être placée de manière stable, c.-à-d. vissée à un établi, à un support universel, etc.

- Chaque pied d'appui (34) des piliers de la machine possède un perçage pour la fixation. Utilisez pour le vissage des vis, des rondelles, des rondelles à ressort et des écrous courants (non fournis, disponibles dans le commerce spécialisé). Fixez la machine sur tous les quatre piliers.
- Avant la mise en service, montez correctement tous les protections et dispositifs de sécurité.
- La lame de scie doit pouvoir se déplacer librement.
- En cas de bois déjà traité, prendre garde aux corps étrangers, comme p. ex. les clous ou les vis, etc.
- Avant d'actionner l'interrupteur de Marche / Arrêt, assurez-vous que la lame de scie est montée correctement et que les pièces mobiles tournent aisément.

5.2 Monter la scie (fig. 1-5)

- Fixez la poignée de transport (9) à la tête de machine (4) à l'aide des vis fournies.
- Insérez les goupilles de guidage des supports de pièce à usiner réglables (10) dans les perçages de réception du boîtier de machine.
- Protégez les supports de pièce à usiner contre la chute en serrant la vis de fixation (42) aux goupilles de guidage.
- Pour régler la table rotative (17), desserrer la vis de fixation (14) d'env. 2 tours pour déverrouiller la table rotative (17)
- Tourner la table rotative (17) et le pointeur (15) sur la valeur angulaire souhaitée de l'échelle (16) et fixer à l'aide de la vis de fixation (14). La scie possède des positions d'encliquetage sur -45°, -40°, -35°, -30°, -22,5°, -15°, -10°, -5°, 0°, 5°, 10°, 15°, 22,5°, 30°, 35°, 40° et 45°.
- Déverrouiller la scie de sa position inférieure en pressant légèrement la tête de machine (4) vers le bas et en retirant en même temps le boulon de sécurité (25) du support de moteur. Tournez le boulon de sécurité (25) de 90° avant de le relâcher pour que la scie reste déverrouillée.
- Pivoter la tête de machine vers le haut (4).
- Le dispositif de serrage (8) peut être monté sur la table de sciage fixe aussi bien à gauche qu'à droite (18).
- Fixez le dispositif de serrage (8) toujours avec la vis de fixation (26).
- Pour le serrage horizontal des pièces à usiner, il est possible d'ancrer le dispositif de

- serrage dans le support (33).
- Pour faire sortir les supports de pièce à usiner (10), presser le levier sur la face inférieure du support de pièce à usiner et puis tirer le support de pièce à usiner vers l'extérieur à droite ou à gauche.
- La butée longitudinale (13) peut être dépliée pour les coupes répétées de même longueur.
- La tête de machine (4) peut être inclinée à gauche de max. 45° par le détachement de la poignée de fixation (21).

5.3 Ajustement de précision de la butée pour la coupe radiale à 90° (fig. 1, 6-7)

- Fixer la table rotative (17) dans la position 0°.
- Desserrer la poignée de fixation (21) et incliner la tête de machine (4) complètement à droite à l'aide de la poignée (1).
- Fixer l'angle de butée (40) de 90° entre la lame de scie (7) et la table rotative (17).
- Déplacer la vis d'ajustement (29) jusqu'à ce que l'angle entre la lame de sciage (7) et la table rotative (17) soit de 90°.
- Vérifiez ensuite la position du pointeur (20) sur l'échelle (19). Si le pointeur (20) n'indique pas encore la valeur angulaire correcte sur l'échelle, il peut alors être ajusté.
- Pour l'ajustement, dévissez la vis de fixation du pointeur (20) à l'aide d'un tournevis. Placez alors le pointeur sur la position sur l'échelle souhaitée et resserrez ensuite la vis de fixation.
- L'angle de butée (40) et la clé à six pans creux (41) ne font pas partie de la livraison et sont disponible dans le commerce.

5.4 Ajustement de précision de la butée pour la coupe à onglet à 45° (fig. 1, 8-9)

- Fixer la table rotative (17) dans la position 0°.
- Desserrer la poignée de fixation (21) et incliner la tête de machine (4) de 45° complètement à gauche à l'aide de la poignée (1).
- Fixer l'angle de butée (40) de 45° entre la lame de scie (7) et la table rotative (17).
- Déplacer la vis d'ajustement (30) jusqu'à ce que l'angle entre la lame de sciage (7) et la table rotative (17) soit exactement de 45°.
- L'angle de butée (40) et la clé à six pans creux (41) ne font pas partie de la livraison et sont disponible dans le commerce.

5.5 Réglage de l'angle d'onglet sur la tête de machine (fig. 2, 12-13)

- Desserrez la poignée de fixation (21).
- Prenez la tête de machine (4) par la poignée

- (1).
- Dès que la poignée de fixation est desserrée, la tête de machine peut être inclinée en continue ou sur différentes positions d'encliquetage.
- Angle vers la gauche : 0-45°
- Resserer la poignée de fixation (21).

6. Fonctionnement

6.1 Utilisation du rail de butée (fig. 1, pos. 37)

Avertissement ! Pour le tronçonnage à 90°, il faut fixer le rail de butée mobile (37) à l'intérieur:

- Desserrer la vis de fixation (38) du rail de butée mobile et pousser le rail de butée mobile vers l'intérieur.
- Le rail de butée mobile (37) doit être bloqué avant la position la plus à l'intérieur de telle manière que l'écart entre rail de butée (37) et lame de scie (7) soit au maximum de 5 mm (0.2 po.).
- Vérifiez avant de faire la coupe qu'il n'y ait pas de collision possible entre le rail de butée et la lame de scie.
- Resserrez la vis de fixation (38).

Avertissement ! Le rail de butée coulissant (37) doit être fixé dans une position extérieure pour les coupes à onglet 0°-45° (avec la tête de scie penchée ou la table rotative avec réglage d'angle) :

- Desserrer la vis de fixation (38) du rail de butée coulissant et pousser ce dernier vers l'extérieur.
- Le rail de butée coulissant (37) doit être bloqué aussi loin de la position la plus intérieure que la distance entre le rail de butée coulissant (37) et la lame de scie (7) soit au maximum de 5 mm (0.2 po.).
- Vérifiez avant la coupe qu'aucune collision n'est possible entre le rail de butée et la lame de scie.
- Resserrez la vis de fixation (38).

6.2 Coupe radiale à 90° et table rotative à 0° (fig. 1-3, 10)

- Mettre la tête de machine (4) dans la position supérieure.
- Posez le bois à couper sur le rail de butée (11) et sur la table rotative (17).
- Fixer le matériau sur la table de sciage fixe (18) à l'aide du dispositif de serrage (8) pour

- empêcher un déplacement pendant le sciage.
- Presser le bouton de déverrouillage (3) pour libérer la tête de machine (4).
- Presser l'interrupteur Marche / Arrêt (2) pour mettre le moteur en marche.
- Déplacez la tête de machine (4) de manière régulière à l'aide de la poignée (1) et en la pressant légèrement jusqu'à ce que la lame de scie (7) coupe la pièce à usiner.
- Une fois la coupe terminée, remettre la tête de machine (4) en position de repos supérieure et relâcher l'interrupteur Marche / Arrêt (2).

Attention ! Grâce au ressort de rappel, la machine remonte automatiquement, c.-à-d. ne pas relâcher la poignée (1) à la fin de la coupe, mais faire remonter la tête de machine (4) lentement et avec une légère contrepression.

6.3 Coupe radiale à 90° et table rotative à 0°-45° (fig. 1-3, 11)

La scie radiale permet d'exécuter de tronçonnage de 0°-45° vers la gauche et de 0°-45° vers la droite par rapport au rail de butée.

- Desserrer la table rotative (17) en dévissant la vis de fixation (14).
- Tourner la table rotative (17) et le pointeur (15) sur la valeur angulaire souhaitée de l'échelle (16) et fixer à l'aide de la vis de fixation (14).
- Resserrez la vis de fixation (14) pour fixer la table rotative (17).
- Exécuter la coupe comme décrit dans le point 6.2.

6.4 Coupe radiale à 0°-45° et table rotative à 0° (fig. 1-3, 12)

La scie radiale permet d'exécuter des coupes à onglet à gauche de 0-45° par rapport à la surface de travail.

- Le cas échéant, démonter le dispositif de serrage (8) du côté gauche de la table de sciage (18) et le monter du côté droit de la table de sciage fixe (18).
- Mettre la tête de machine (4) dans la position supérieure.
- Fixer la table rotative (17) dans la position 0°.
- Régler l'angle d'onglet sur la tête de machine comme décrit au point 5.5.
- Exécuter la coupe comme décrit dans le point 6.2.

6.5 Coupe radiale à 0°-45° et table rotative à 0°-45° (fig. 1-3, 13)

La scie radiale permet d'exécuter des coupes à onglet à gauche de 0-45° par rapport à la surface de travail, avec le réglage simultané de la table rotative par rapport au rail de butée de 0°-45° vers la gauche ou 0-45° vers la droite (double coupe à onglet).

- Le cas échéant, démonter le dispositif de serrage (8) ou le monter sur le côté opposé de la table de sciage fixe (18).
- Mettre la tête de machine (4) dans la position supérieure.
- Desserrer la table rotative (17) en dévissant la vis de fixation (14).
- Régler la table rotative (17) à l'angle souhaité au moyen de la poignée (1) (voir également à ce sujet le point 6.3).
- Resserer la vis de fixation (14) pour fixer la table rotative.
- Effectuer le réglage de l'angle d'onglet sur la tête de machine et du rail de butée comme décrit au point 5.5.
- Exécuter la coupe comme décrit dans le point 6.2.

6.6 Limitation de la profondeur de coupe (fig. 3)

- La profondeur de la coupe peut être réglée en continu en moyen de la vis (27). Pour ce faire, desserrez les écrous moletés de la vis (27). Réglez la profondeur de coupe souhaitée en vissant et dévissant la vis (27) et resserrez ensuite les écrous moletés de la vis (27).
- Vérifiez le réglage au moyen d'une coupe d'essai.

6.7 Sac à copeaux (fig. 2)

La scie est équipée d'un sac à copeaux (22). Le sac à copeaux (22) peut être vidé au moyen de la fermeture éclair sur le fond. Pressez la rondelle à ressort du sac à copeaux pour le déplacer sur le raccord d'aspiration (43) de la machine.

6.8 Remplacement de la lame de scie (fig. 1, 14)

- Danger ! Retirez la batterie avant le remplacement de la lame de scie.
- Portez les gants lors du remplacement de la scie pour éviter les blessures !
- La clé à six pans creux (39) est conservée sur la poignée de transport.
- Appuyez sur le blocage de la broche (5) avec une main et posez la clé à six pans creux (39) sur la vis à brides (31) avec l'autre main.

Après un tour au maximum, le blocage de la broche (5) s'enclenche.

- Desserrer maintenant la vis à brides (31) avec un peu plus de force dans le sens contraire aux aiguilles d'une montre.
- Dévissez complètement la vis à brides (31) et retirez la bride extérieure (32).
- Enlever la lame de scie (7) de la bride intérieure et tirer vers le bas.
- Nettoyer soigneusement la vis à brides (31), la bride extérieure (32) et la bride intérieure.
- Insérer la nouvelle lame de scie (7) dans l'ordre inverse et serrer.
- Attention ! L'inclinaison de la coupe des dents, c.-à-d. le sens de rotation de la lame de scie (7) doit correspondre au sens de la flèche figurant sur le boîtier.
- Avant de poursuivre le travail avec la scie, vérifiez le fonctionnement du dispositif de protection.
- Attention ! Après chaque changement de lame de scie, vérifiez si la lame de scie tourne librement dans l'insert de table (12) en position verticale ainsi qu'à 45°, basculé.
- Attention ! Le remplacement et l'alignement de la lame de scie (7) doivent être effectués correctement.

6.9 Transport (fig. 1-3)

- Serrer la vis de fixation (14) pour verrouiller la table rotative (17).
- Actionner le bouton de déverrouillage (3), presser la tête de machine (4) vers le bas et bloquer au moyen du boulon de sécurité (25). La scie est désormais verrouillée en position inférieure.
- Portez la machine par la poignée de transport fixe.
- Pour assembler la machine de nouveau, procédez selon le point 5.2.

6.10 Fonctionnement du laser (fig. 2)

Mise en marche : Déplacez l'interrupteur Marche / Arrêt du laser (36) en position « I » pour allumer le laser (35). Une ligne de laser sera projetée sur la pièce à traiter pour indiquer le guidage précis de coupe.

Mise à l'arrêt : Déplacez l'interrupteur Marche / Arrêt du laser (36) en position « 0 ».

6.11 Fonctionnement de la lampe à DEL (fig. 2)

- Pour bien éclairer la zone de travail, vous pouvez utiliser en plus de l'éclairage ambiant la lampe à DEL. L'interrupteur Marche / Arrêt

de la lampe à DEL (24) se trouve sur la face supérieure de la tête de machine, entre la poignée (1) et le logement de la batterie.

- Mise en marche : Position de l'interrupteur « I »
- Mise à l'arrêt : Position de l'interrupteur « 0 »

6.12 Frein électrique

Pour des raisons de sécurité, l'appareil est équipé d'un système de freinage électrique de la lame de scie. C'est pourquoi un peu d'odeur ou d'étincelles peuvent être produites lors de la mise à l'arrêt. Elles n'ont aucun effet sur le fonctionnement et la sécurité de l'appareil !

6.13 Chargement de la batterie LI

Vous trouverez les instructions correspondantes dans le mode d'emploi d'origine de votre chargeur.

6.14 Affichage de la capacité de la batterie (image 15/Pos. 44)

Appuyez sur l'interrupteur de l'affichage de la capacité de la batterie (45). L'affichage de la capacité de la batterie (44) signale l'état de charge de la batterie au moyen de 3 LEDs.

Les 3 LEDs s'allument:

La batterie est complètement chargée.

2 ou 1 LED(s) s'allume(nt):

La batterie a une charge résiduelle suffisante.

1 LED clignote:

La batterie est déchargée, chargez la batterie.

Toutes les LEDs clignent:

La batterie a été profondément déchargée et est défectueuse. Une batterie défectueuse ne peut plus être utilisée et chargée!

7. Nettoyage, entretien et commande de pièces de rechange

Danger !

Avant tout travail de nettoyage, retirez la batterie de l'appareil.

7.1 Nettoyage

- Maintenez les dispositifs de protection, les fentes d'aération et les carters de moteur aussi exempt de poussières et de saletés que possible. Frottez l'appareil avec un linge propre et nettoyez-le à l'air comprimé à basse pression.
- Nous recommandons de nettoyer l'appareil directement après chaque utilisation.
- Nettoyez l'appareil régulièrement avec un linge humide et un peu de savon noir. N'utilisez pas de détergeant ni de solvants ; ils peuvent détériorer les éléments en plastique de l'appareil. Veillez à ce que l'eau ne puisse pas pénétrer à l'intérieur de l'appareil. La pénétration de l'eau dans un appareil électrique augmente le risque d'une électrocution.

7.2 Balais de charbon

En cas d'étincelles excessives, faites vérifier les balais de charbon par un électricien.

Danger ! Les balais de charbon ne doivent être remplacés que par un électricien.

7.3 Entretien

L'intérieur de l'appareil ne contient pas de pièces exigeant un entretien.

7.4 Commande des pièces de rechange : Service

1. **Si votre outil électrique doit être réparé, veuillez contacter un distributeur autorisé d'Einhell USA ou appeler le centre de service à la clientèle d'Einhell USA au numéro 1-866-EINHELL (1-866-346-4355).** Seules les pièces de rechange identiques doivent être utilisées pour les réparations. Cela permet de garantir la sécurité de l'outil électrique.
2. **Si le câble du chargeur est endommagé, il doit être immédiatement remplacé pour empêcher un accident.** Pour obtenir de l'assistance, veuillez contacter le centre de service à la clientèle d'Einhell USA® au numéro 1-866-EINHELL (1-866-346-4355).

8. Élimination et revalorisation

L'appareil se trouve dans un emballage pour empêcher les dommages dus au transport. Cet emballage constitue une matière première et peut par conséquent être réutilisé ou peut être recyclé. L'appareil et ses accessoires sont fabriqués à partir de différents produits, comme p. ex. le métal et les matières plastiques. Ne jetez pas les appareils défectueux dans les déchets ménagers. Pour être éliminé de façon appropriée, l'appareil devrait être déposé à un lieu de collecte approprié. Si vous ne connaissez aucun lieu de collecte, informez-vous auprès de l'administration municipale.

9. Conservation

Conservez l'appareil et ses accessoires dans un endroit sombre, sec et exempt de gel ainsi que hors la portée des enfants. La température de conservation optimale se situe entre 41 °F et 86 °F (5 °C et 30 °C). Conservez l'outil électrique dans l'emballage d'origine.

Une réimpression ou toute autre reproduction de la documentation et des documents accompagnant les produits, même par extraits, ne sont autorisées qu'avec accord exprès d'ISC GmbH.

Sous réserve des modifications techniques.

Einhell®

PROMESSE D'EINHELL À SES CLIENTS

LA QUALITÉ PRIME. Le nom d'Einhell est synonyme des outils performants et de la fabrication européenne de haute qualité. Des perceuses sans fil aux tondeuses à gazon électriques, Einhell USA conçoit et développe des outils électriques et de jardinage à main de pointe pour les bricoleurs, jardiniers amateurs et réparateurs.

Les équipes d'assurance de la qualité et d'ingénieurs d'Einhell USA garantissent que les produits subissent de sévères tests de qualité et de performance. Nous savons que parfois les outils solides traversent les époques dures. Si jamais vous avez un problème avec votre produit, soyez sûr que nous ferons tout notre possible pour vous rendre un outil prêt à travailler aussi dur que vous.

ENREGISTREMENT DU PRODUIT :

Einhell vous encourage vivement d'enregistrer votre achat. Vous pouvez enregistrer en ligne sur **EinhellUSA.com**. Si vous n'enregistrez pas le produit que vous avez acheté, cela n'affectera pas vos droits de garantie. Toutefois, si vous enregistrez votre achat, Einhell pourra mieux vous servir pour tous vos besoins de client.

QU'EST-CE QUI EST COUVERT ?

Einhell garantit au propriétaire que si cet appareil a un problème pendant une période de 2 ans à partir de la date d'achat à cause d'un défaut de matériau ou de fabrication ou en raison de l'usure normale au cours d'un usage domestique normal, Einhell enverra une pièce ou un produit de rechange, au besoin, gratuitement et sans frais de port à l'acheteur initial. Si, à la seule discrétion d'Einhell, l'appareil défectueux ne peut pas être réparé avec une pièce, Einhell soit (A) enverra gratuitement et sans frais de port un nouvel appareil, soit (B) remboursera au propriétaire la totalité du prix d'achat.

QUI PEUT SOLLICITER LA COUVERTURE DE GARANTIE ?

Cette garantie est consentie par Einhell au propriétaire de cet appareil (un « appareil » consiste en un produit alimenté par un moteur) pour un usage domestique personnel exclusivement. Cette garantie est limitée aux trente (30) jours à compter de l'achat initial de tout produit de marque EINHELL utilisé à des fins commerciales ou à d'autres fins lucratives. Si la propriété de cet appareil change pendant la période couverte, veuillez mettre à jour l'information relative au propriétaire de l'appareil sur **EinhellUSA.com**

QU'EST-CE QUI N'EST PAS COUVERT ?

Cette garantie ne couvre pas les produits ayant fait l'objet d'un usage abusif ou négligent, d'un manque d'entretien, ayant été impliqués dans un accident ou employés d'une façon contraire au mode d'emploi, comme c'est spécifié dans le guide d'utilisation. Cette

garantie ne couvre pas les modifications superficielles n'affectant pas la performance.

Cette garantie n'est valable que si l'appareil est utilisé et entretenu conformément aux instructions, avertissements et mises en garde figurant dans le manuel du propriétaire. Einhell ne sera pas responsable du coût des réparations de garantie non autorisées. Cette garantie ne couvre pas les coûts et dépenses engagés par l'acheteur pour se procurer un équipement ou un service de substitution pendant les périodes raisonnables de dysfonctionnement ou de non-utilisation de ce produit dans l'attente d'une pièce ou d'une unité de rechange en vertu de cette garantie.

Les pièces d'usure, comme les courroies, les vis sans fin, les chaînes et les dents, ne sont pas couvertes par cette garantie et peuvent être achetées sur **EinhellUSA.com** ou en appelant au numéro **1-866-EINHELL (1-866-346-4355)**. Les batteries sont entièrement couvertes pendant 90 jours à partir de la date d'achat.

La réparation, le remplacement et le remboursement du prix d'achat sont les seuls moyens de l'acheteur et la seule responsabilité d'Einhell au titre de cette garantie. Les employés et les représentants d'Einhell ne sont pas autorisés à concéder une garantie supplémentaire ni à apporter une modification de cette garantie susceptible d'engager Einhell. Par conséquent, l'acheteur ne devrait pas se fier aux déclarations supplémentaires faites par un employé ou un représentant d'Einhell. En aucun cas, sur la base d'un contrat, d'une indemnisation, d'une garantie, d'un tort (y compris la négligence), d'une responsabilité sans faute, etc., Einhell ne sera responsable des dommages spécifiques, indirects, accessoires ou consécutifs, y compris mais sans s'y limiter la perte de bénéfices ou de revenus.

Certains États n'autorisent pas de limitations aux garanties. Dans tels États, les limitations ci-dessus pourraient ne pas s'appliquer à vous.

D'autres garanties peuvent s'appliquer en dehors des États-Unis et le Canada.



A series of horizontal lines for writing, starting from the top right and extending down to the bottom of the page.



A series of horizontal lines for writing, starting from the top right and extending down to the bottom of the page.





A series of horizontal lines for writing, starting with two lines that are slightly indented from the left margin, followed by a continuous series of lines down the page.



EH 08/2019 (01)