

Electric Hammer Drill BH-G 1000 Global

Art.-No.: **42.583.46**

Bar-Code: 4006825511062

Sales Unit: 3 pcs

Powerful hammer drill with SDS-Plus-chuck, additional handle and extensive dust collection-cap in a handy case. Equipped with hammer stop facility for smooth initial drilling and with a rotation stop facility for chiseling work.

Features:

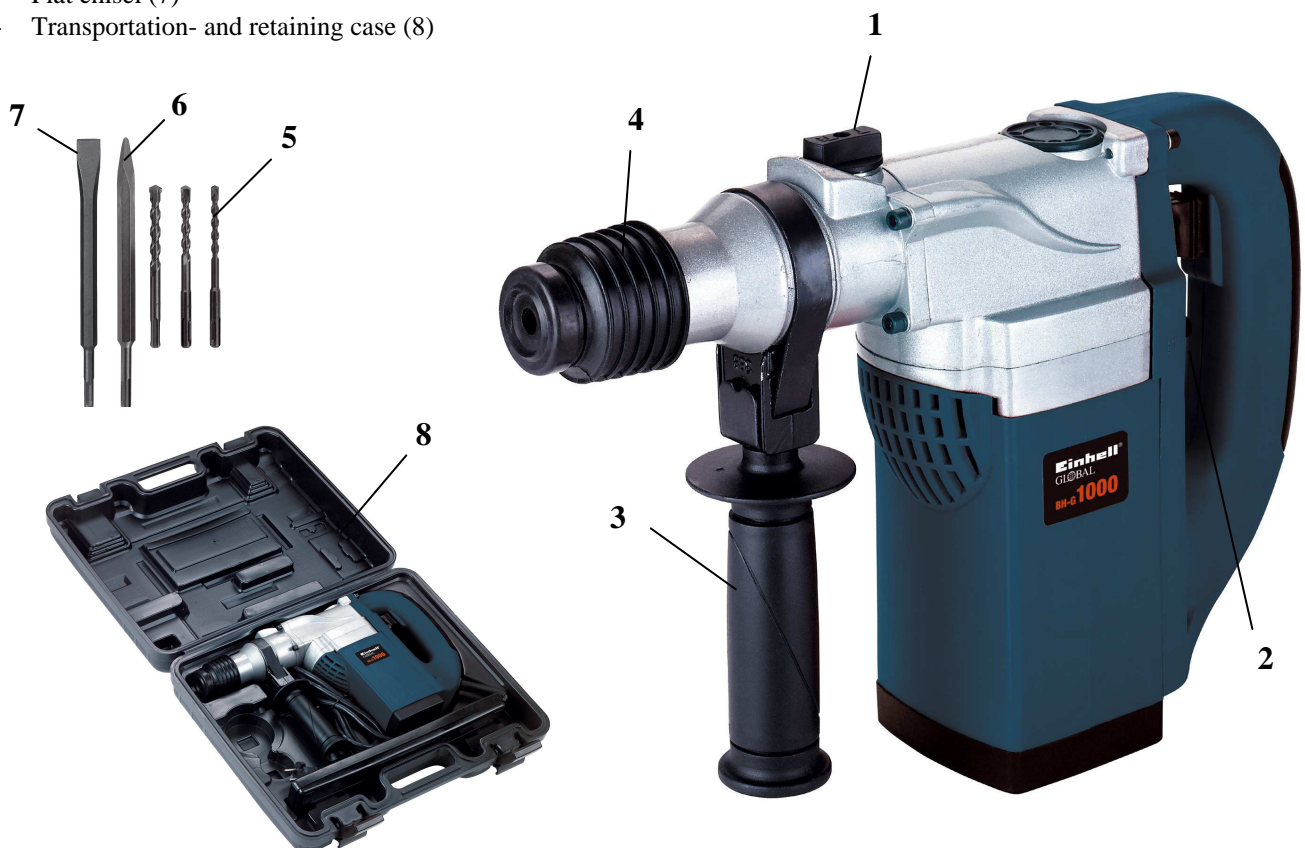
- Rotation stop facility (1)
- Hammer stop facility (2)
- Additional handle with bit stop (3)
- SDS-Plus-Drill-chuck (4)

Standard accessory:

- Drill bits Ø 8, 10, 12 mm (5)
- Pointed chisel (6)
- Flat chisel (7)
- Transportation- and retaining case (8)

Technical data:

- | | |
|---------------------------|-------------------------|
| - Mains: | 230 V ~ 50 Hz |
| - Power: | 1010 Watt |
| - Idle speed: | 850 min ⁻¹ |
| - Blow rate: | 4.500 min ⁻¹ |
| - Drilling capacity max.: | 26 mm Beton / Stein |
| - Protection class: | II |
| - Weight: | 8,6 kg |
| - Packing dimensions: | 450 x 380 x 135 mm |



As special accessory available:

- Chisel-set
SDS-Plus-chisel-set 3 pcs
- 4 pcs. drill bits set
Ø 6, 8, 10, 12 mm
- 10 pcs. drill bits and chisel set
Ø 5, 6, 8, 10, 12, 14, 16, 18, 22 mm, 1 flat chisel

Art.-No.: **42.581.57**
Bar-Code: 4006825421545
Art.-No.: **42.581.90**
Bar-Code: 4006825421538
Art.-No.: **42.581.91**
Bar-Code: 4006825422962