



Einhell

BLUE

BG-BC 25 S Petrol Scythe

Art.-No. 34.019.41

Features

- High quality 2-stroke engine (1)
- Handle including all operational functions (2)
- Handle (P-handle) for easy and accurate guidance (3)
- Split shaft for easy transport and space saving storage (4)
- Alu shaft for fatigue-free working (5)
- 4-teeth blade (6)
- Knife protection cover (7)
- Twin line spool with automatic jog system (8)
- Comfort carrying belt
- Electronic ignition
- Primer (manual fuel pump) for quick and easy starting
- Centrifugal clutch for cutting attachment

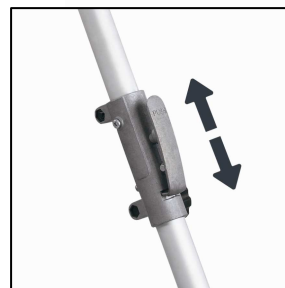
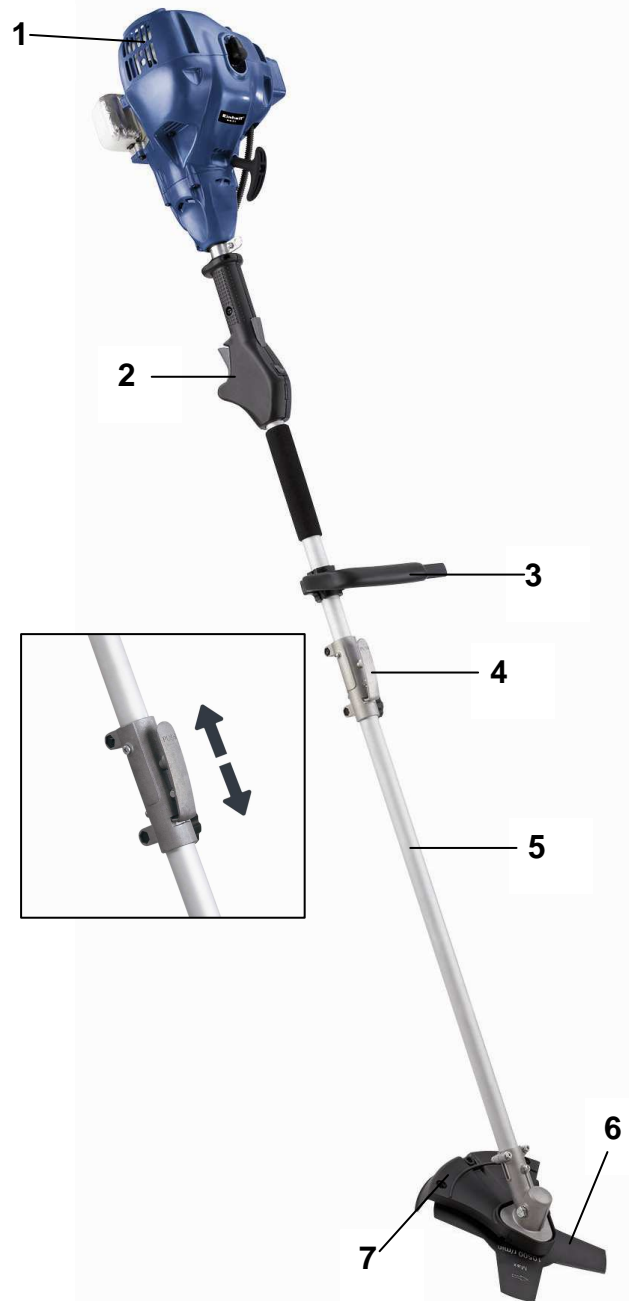
Technical data

- | | |
|------------------------------|-----------------------|
| ■ Power: | 0.75 kW (1 HP) |
| ■ Engine: | 2-stroke |
| ■ Capacity: | 25 ccm |
| ■ Cutting width double line: | 43 cm |
| ■ Thread length: | 4 m |
| ■ Thread-Ø: | 2.5 mm |
| ■ Cutting width knife: | 23 cm |
| ■ Petrol tank volume: | 0.45 l |
| ■ Product weight: | 6.97 kg |

Logistic data

- | | |
|-----------------------|----------------------|
| ■ Net weight: | 6.97 kg |
| ■ Gross weight: | 8.23 kg |
| ■ Packing dimensions: | 1,000 x 256 x 260 mm |
| ■ Bar code: | 4006825573718 |
| ■ Sales unit: | 1 pc |

Passes the pollutants directive 2002/88 EC (emission 2)



As special accessory available:

- | | |
|---------------------------|-------------------------|
| Spare thread spool | Art.-No.: 34.052.05 |
| Einhell Grey | Bar code: 4006825550948 |
| Spare blade | Art.-No.: 34.052.10 |
| Einhell Grey | Bar code: 4006825550955 |