

PARKSIDE

PDT 40 A1



GB IE

AIR NAILER / STAPLER SET

Operation and Safety Notes
Original operating instructions

FI

VIIMEISTELYNAULAIN

Käyttö- ja turvaohjeet
Alkuperäiskäyttöohje

SE

HÅFT- OCH SPIKPISTOL, SET

Bruksanvisning och säkerhetsanvisningar
Original-bruksanvisning

DK

TRYKLUFTHÆFTEKLAMMERSÆT

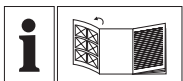
Brugs- og sikkerhedsanvisninger
Original betjeningsvejledning

DE AT CH

DRUCKLUFT-TACKER-SET

Bedienungs- und Sicherheitshinweise
Originalbetriebsanleitung

3 



GB IE

Before reading, unfold the page containing the illustrations and familiarise yourself with all functions of the device.

FI

Käännä ennen lukemista kuvallinen sivu esiin ja tutustu seuraavaksi laitteen kaikkiin toimintoihin.

SE

Vik ut bildsidan och ha den till hands när du läser igenom anvisningarna och gör dig bekant med apparatens / maskinens funktioner.

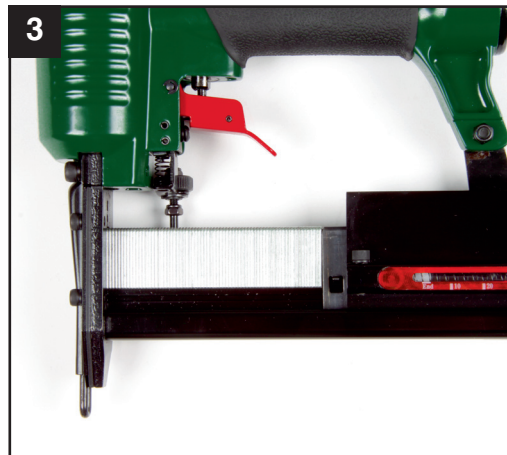
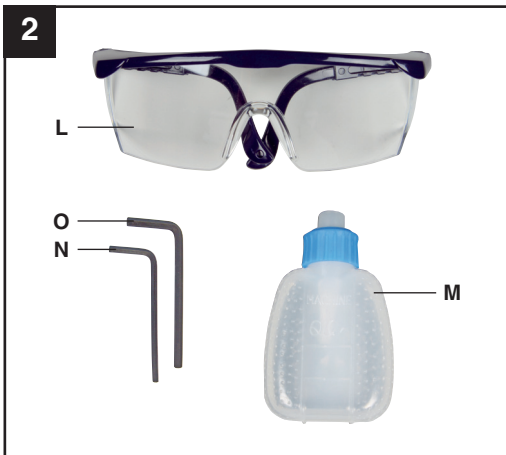
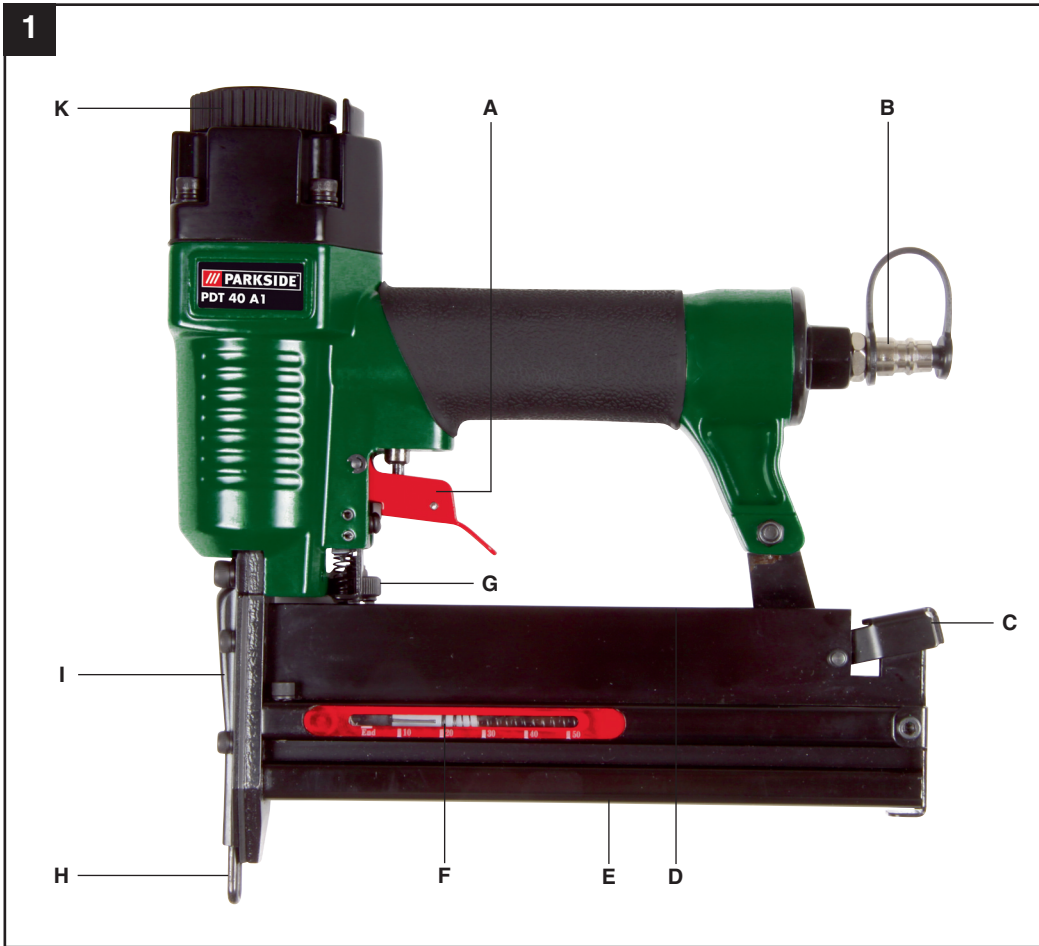
DK

Før du læser, vend siden med billeder frem og bliv bekendt med alle apparatets funktioner.

DE AT CH

Klappen Sie vor dem Lesen die Seite mit den Abbildungen aus und machen Sie sich anschließend mit allen Funktionen des Gerätes vertraut.

GB/IE	Operation and Safety Notes	Page	5
FI	Käyttö- ja turvaohjeet	Sivu	17
SE	Bruksanvisning och säkerhetsanvisningar	Sidan	29
DK	Brugs- og sikkerhedsanvisninger	Side	41
DE/AT/CH	Bedienungs- und Sicherheitshinweise	Seite	53



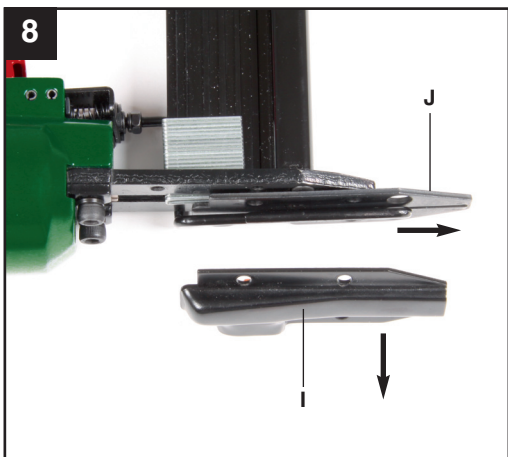
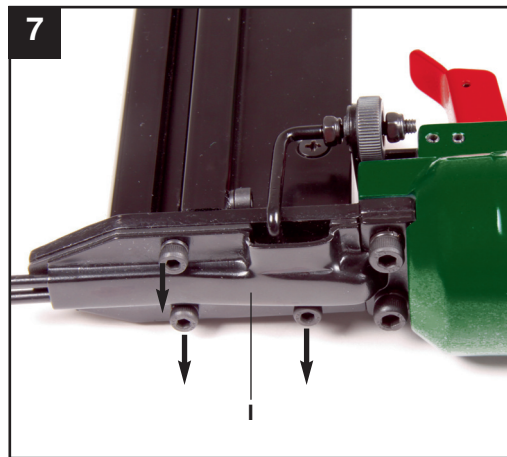
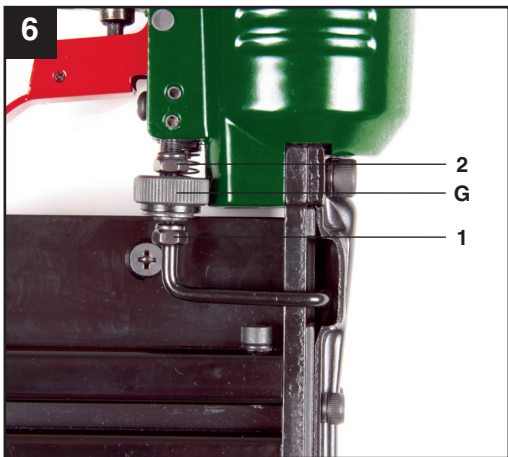
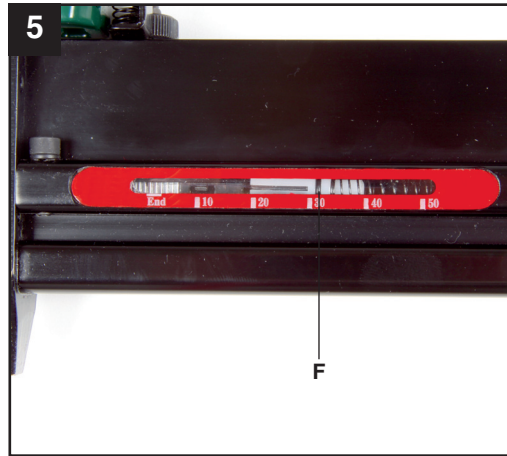
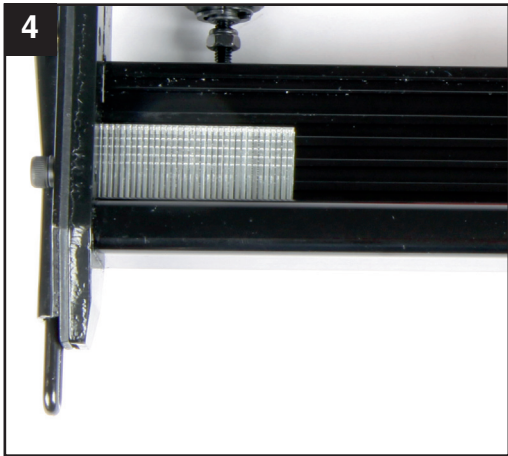


Table of contents:	Page
1. Introduction	7
2. Safety Information	7-8
3. Layout	8
4. Items supplied	8
5. Intended use	8-9
6. Technical data	9-10
7. Starting up	10-11
8. Care and maintenance	12
9. Cleaning and ordering spare parts	12
10. Disposal and recycling	12
11. Excluded from the guarantee	13
12. Declaration of conformity	14-15
13. Guarantee certificate	16

The reprinting or reproduction by any other means, in whole or in part, of documentation and papers accompanying products is permitted only with the express consent of ISC GmbH.

Technical changes subject to change

GB/
IE

Additional safety instructions



“Caution - Read the operating instructions to reduce the risk of injury”



Wear ear-muffs.

The impact of noise can cause damage to hearing.



Wear safety goggles.

Sparks generated during working or splinters, chips and dust emitted by the device can cause loss of sight.



Do not use on platforms and ladders.

1. Introduction

⚠ Important.

When using the equipment, a few safety precautions must be observed to avoid injuries and damage. Please read the complete operating manual with due care. Keep this manual in a safe place so that the information is available at all times. If you give the equipment to any other person, hand over these operating instructions as well. We cannot accept any liability for damage or accidents which arise due to a failure to follow these instructions and the safety information.

2. Safety Information

⚠ CAUTION

Read all the safety regulations and instructions. Any errors made in following the safety regulations and instructions may result in an electric shock, fire and/or serious injury. **Keep all safety regulations and instructions in a safe place for future use.**

Protect yourself and your environment from accidents by taking the appropriate precautionary measures.

- Do not use the stapler for a purpose for which it is not designed.
- Keep air tools safe from children.
- Never use the equipment when you are not rested or distracted.
- Connect the compressed air using a quick-lock coupling only.
- Staplers may only be connected to lines/hoses which do not allow the maximum permitted pressure of the equipment to be exceeded by more than 10%. A pressure regulator (pressure reducer) with a downstream pressure control valve must be fitted to the compressed air hose if the pressure is higher.
- The operating pressure must be adjusted by a pressure reducer.
- When using a pneumatically operated stapler/nailer, only use the pressure required for the specific operation to prevent an unnecessarily high noise level, excessive wear and consequential faults.
- Never use oxygen or combustible gases as a power source. Danger of fire and explosion.
- Always disconnect the equipment from the compressed air source before tackling faults or starting any maintenance work.
- Use only genuine spare parts. Repairs may only be carried out by an authorized agent of the manufacturer or by an alternative specialist in accordance with the specifications contained in the operating instructions.
- Wear the necessary protective clothing when working with the stapler, in particular safety goggles and protective gloves.
- Do not exceed the maximum air pressure of 8 bar.
- Do not direct the connected and loaded nailer at other people.
- Do not remove the earthing contact device.
- Never leave the equipment unattended when loaded.
- Never use the equipment if defective.
- Only use the types of staples/nails specified in the technical data.
- The equipment must always be depressurized after disconnection.
- Never use the equipment without staples/nails.
- Never point an operational stapler directly at yourself or at any other person.
- Whilst working with the stapler, hold it in such a way that your head and body cannot be injured in case of kickback caused by disruption of the power supply or by hard areas of the workpiece.
- Never trigger the stapler into the open air. This is important to avoid the hazards of free-flying staples and of overloading the appliance.
- For the purposes of transportation, the stapler must be disconnected from the compressed-air system, especially if you are using a ladder or are adopting an unusual posture.

GB/
IE

- In the workplace, carry the stapler only by its handle and ensure that the trigger is inactivated.
- Make allowance for the workplace conditions. Staples can potentially go straight through thin workpieces or they can slide off workpieces when working on corners and edges, thus putting persons at risk.
- For your own personal safety, always use suitable protective equipment such as, for example, hearing and eye protection.
- Check that the trigger catch functions correctly every time before you use the equipment. You are allowed to start using the equipment only if the device functions perfectly.

This equipment is not suitable for the following work:

- If changing from one stapling point to another involves moving about on platforms, steps, ladders or any other structures similar to ladders such as, e.g. roof battens.
- Sealing of boxes or crates.
- Fitting of transportation braces, e.g. to vehicles and wagons

Do not lose this safety information.

Residual risks

Even if you use this tool in accordance with instructions, certain residual risks cannot be eliminated. The following hazards may arise in connection with the equipment's construction and layout:

1. Risk of pinching.
2. Risk of injury from staples.
3. Damage to hearing, if no suitable ear protection is applied.
4. Health damage caused by hand-arm vibrations, if the equipment is not properly guided and maintained.

3. Layout (Fig. 1/8)

- A Trigger lever
- B Compressed air connection
- C Magazine lever
- D Magazine cover
- E Magazine
- F Level indicator
- G Depth setting
- H Trigger catch
- I Cover plate (external)
- J Cover plate (Internal)
- K Swivel air-outlet

4. Items supplied (Fig. 2)

- L Safety goggles
- M Special compressed air oil
- N Allen key, 3 mm
- O Allen key, 4 mm

Not illustrated:

- 250 x 15 mm, 25 mm, 40 mm, 50 mm nails of each size
- 250 x 16 mm staples, 500 x 25 mm staples, 250 x 40 mm staples

5. Intended use

The stapler is a pneumatically operated tool designed for versatile use.

This equipment is designed for driving finishing nails and staples into wood and similar materials. Only use the types of nails/staples described in the "Technical data" section or illustrated on the information sign on the magazine. Never use any other nails/staples. Never use on hard surfaces such as stone, metal, etc., either.

The equipment may only be used for the tasks it is designed to handle. Any other use is deemed to be a case of misuse. The user/operator and not the manufacturer will be liable for any damage or injuries of any kind caused as a result of this.

Please note that our equipment has not been designed for use in commercial, trade or industrial applications. Our warranty will be voided if the equipment is used in commercial, trade or industrial businesses or for equivalent purposes.

Only allow repairs and services to be carried out by authorized professional repair shops.

Remember.

If the inner diameter of the hose is insufficient and the length of the hose too long, this will result in a loss of power on the equipment.

6. Technical data

Max. permitted operating pressure	8 bar
Recommended pressure range	4 - 7.5 bar
Air consumption	approx. 0.11 l/shot
Staple width	5.7 mm
Staple length	13 - 40 mm
Nail length	10 - 50 mm
Recommended hose diameter	Diameter 9 mm
Weight	approx. 1,3 kg
L_{pA} sound pressure level	85.5 dB(A)
L_{WA} sound power level	98.8 dB(A)
L_{PC} sound pressure level	113.6 dB(A)
Vibration a_w	$\leq 2.5 \text{ m/s}^2$
K uncertainty	27.93 %

These values for noise emissions are equipment-based characteristic values and do not reflect the noise generated at the place of use. The noise generated at the place of use will depend, for example, on the work area, the workpiece, workpiece support and the number of stapling/nailing operations.

The value given for vibration is an equipment-based characteristic value and does not represent the impact on the hand and arm system when the equipment is used. The impact on the hand and arm system when the

equipment is used will depend, for example, on the force of the grip, the pressing force, the direction in which you are working, the air pressure setting, the workpiece and the workpiece support.

Reduce noise generation and vibration to a minimum!

- Use only equipment that is in perfect condition.
- Maintain and clean the equipment regularly.
- Adopt your way of working to the equipment.
- Do not overload the equipment.
- Have the equipment checked if necessary.
- Switch off the equipment when not in use.
- Wear gloves.

Compressed air quality:

Purified and with oil mist.

Air supply:

Via a conditioning unit with filter pressure reducer and mist oiler connected to a compressed air source.

Recommended capacity of the compressor:

Compressor with a capacity of approx. 250 l/min, which is the equivalent of engine power of approx. 2.2 kW

Remember:

Wear the necessary protective clothing when working with the stapler, in particular safety goggles.

Pay attention to the safety regulations.

6.1 Safety goggles (SF026)

The safety goggles (Fig. 2/Item L) are intended to provide protection for the eyes, against small parts flying at high speed and are intended to protect the user against injury.

For optimum protection the safety goggles should be adjusted by lengthening or shortening the strap to make them fit correctly. Adjusting the goggles: Slide the strap along the latch to adjust the length of the strap.

GB/
IE**ID number, name and address of the test organization**

N.B. 0196
Gesellschaft für Konformitätsbewertung mbH
Alboinstrasse 56
12103 Berlin

Explanation of the symbols on the safety goggles

1: Optical class
F: Mechanical strength (45 m/s)
166: Number of the standard (EN 166)

Cleaning

Clean the goggles at regular intervals using lukewarm water and a little lubricant soap. Do not use cleaning agents or solvents; these may be aggressive to the plastic.

Storage

Do not store the goggles in extremely hot environments where they may be exposed to UV radiation. This may reduce the service life of the plastic. Store the goggles in a cool dark place when they are not in use.

Working life

Replace the goggles if the viewing screens get scratched or damaged or if the frame gets damaged.

Transport

The safety goggles can be kept in the transport case.

Warnings

If spectacles are worn behind the safety goggles there is a danger of harm to the user from the possibility of the transfer of impacts from particles flying at high speed.

Materials coming into contact with the user's skin may cause allergies among people who are sensitive.

Never work with safety goggles which have a scratched or damaged viewing screen.

7. Starting up

- Each time before starting work, check that the trigger catch functions perfectly and that all screws and nuts are securely fastened.
- Never tamper with the stapler.
- Never dismantle or block any parts of the stapler such as, e.g. a trigger catch.
- Never carry out any "emergency repairs" with unsuitable means.
- Proper stapler maintenance is required at regular intervals in accordance with the information supplied by the manufacturer.
- Take precautions to prevent anything which would weaken or damage the equipment, e.g. from
 - a) striking or engraving,
 - b) modifications which are prohibited by the manufacturer,
 - c) guiding on templates made of hard material, e.g. steel,
 - d) pushing across the floor,
 - e) using as a hammer,
 - f) any kinds of acts of violence.

7.1 Checking the trigger catch

Check the trigger catch (Fig. 1/Item H) each time before use. The trigger catch must move freely without catching. The spring on the trigger catch must return the trigger catch to the released initial position. Never use the equipment if the trigger catch is not working.

1. Disconnect the equipment from the air supply.
2. Remove the staples/nails from the magazine (Fig. 1/Item E).
3. Check that the trigger and the trigger catch can move up and down freely.
4. Connect the equipment to the air supply.
5. Press the trigger catch against the workpiece without pressing the trigger. The equipment should not operate. Never use the equipment if it operates without the trigger being pressed. Risk of injury.
6. Remove the equipment from the workpiece. The trigger catch must return to the released initial position. Press the trigger. The equipment should not operate. Never

use the equipment if it operates. Risk of injury.

7. Press the trigger and press the trigger catch against the workpiece. The equipment operates.
8. Press the trigger catch against the workpiece and press the trigger; the equipment operates.

7.2 Loading staples and nails

- When you fill the magazine (Fig. 1/Item E), make sure that you hold the equipment in such a way that the muzzle is pointed neither at you or anyone else.
- To fill the magazine, press the magazine lever (Fig. 1 / Item C) and slide back the magazine cover (Fig. 1 / Item D) as far as it will go.
- Insert the staples as shown in (Fig. 3) or the nails as shown in (Fig. 4).
- Do not insert more than one complete stick of staples/nails, otherwise the magazine will be overfilled and you will not be able to close it again. Slide the magazine cover forward again until it snaps into place.
- The level indicator (Fig. 5 / Item F) shows the number of loaded staples / nails if less than 50 are loaded.

7.3 Operation/Operating pressure

- Connect the pneumatic stapler/nailer to the compressed air connection (Fig. 1 / Item B).
- Set the swivel air outlet (Fig. 1 / Item K) to the desired position.
- Before starting the stapler, switch on the compressor and set the operating pressure on the pressure reducer to 4 bar.
- The knurled screw (Fig. 6 / Item G) for precision adjustment must be approximately in the middle position between Item 1 and 2. To do so, turn open the knurled screw three revolutions, starting from Position 1.
- For the purpose of setting the operating pressure it is advisable to use a test workpiece which is similar in structure and material thickness to the workpieces to be joined.
- To staple/nail, place the pneumatic stapler/nailer against the workpiece and pull the trigger lever (Fig. 1 / Item A) once and

release it again after each shot.

- If the nail or the staple goes in too deep, reduce the operating pressure on the pressure reducer by 0.5 bar.
- If the nail or the staple does not go in deep enough or projects, increase the operating pressure on the pressure reducer by 0.5 bar.
- Place the stapler/nailer against the test workpiece again and fire.
- Depending on results, keep changing the operating pressure in 0.5 bar increments until the depth that the staples or nails are driven in is roughly correct. For precision adjustment (Para. 7.4), use the knurled screw.
- The equipment also has an automatic mode. If you keep the trigger lever pressed, the staples/nails will be shot automatically when the pneumatic stapler/nailer is placed against the workpiece.
- To prevent faults, make sure that you do not staple at the same point twice.

Important:

If a staple or nail becomes jammed in the feed shaft, always immediately depressurize the equipment first (remove the compressed air supply hose), open the magazine shaft and only then remove the cover plates (Fig. 8 / Item I/J) by undoing the screws with the supplied Allen keys (Fig. 2 / Item N) (Fig. 7 / 8). Remove the jammed staples, clean the shaft if necessary, and close again in reverse order.

7.4 Precision adjustment

- The equipment has a depth setting adjuster (Fig. 6 / Item G) in the form of a knurled screw.
- If you screw it downwards (Fig. 6 / Item 1), the staples/nails will be shot in deeper.
- If you want to reduce the depth that the staples/nails are shot in, you have to screw the knurled screw upwards (Fig. 6 / Item 2).

Important: To prevent triggering unintentionally, the depth setting must never be pulled back by hand in normal operation.

GB/
IE

8. Care and maintenance

Important: Disconnect the equipment from the compressed air system each time before starting to carry out maintenance and cleaning work.

Compliance with the maintenance instructions given here will ensure that this quality product has a long service life and offers failure-free operation.

Before starting work each time, check that the magazine is securely fastened (Fig. 1/Item E). Clean the equipment thoroughly immediately after you have finished the work.

To ensure that your stapler offers lasting perfect service, it requires regular lubrication. Use the supplied oil (Fig. 2 / Item M) for this purpose.

There are two possible means of lubrication:

8.1 By mist oiler

A complete conditioning unit contains a mist oiler and is fitted to the compressor.

8.2 By hand

If your system has neither a conditioning unit or a line oiler, 3-5 drops of oil have to be applied to the compressed air connection each time before the air tool is started up. If the air tool is not used for several days, apply 5-10 drops of oil to the compressed air connection before switching on.

Store your air tool in a dry room only.

8.3 Other maintenance work

There are no parts inside the equipment which require additional maintenance.

9. Cleaning and ordering spare parts

Important: Disconnect the equipment from the compressed air system each time before starting to carry out maintenance and cleaning work.

9.1 Cleaning

- Keep the trigger catch (Fig. 1/Item H) free of dirt and dust as far as possible. Wipe the equipment with a clean cloth or blow it down with compressed air at low pressure.
- We recommend that you clean the equipment immediately after you use it.
- Clean the equipment regularly with a damp cloth and some soft soap. Do not use cleaning agents or solvents; these may be aggressive to the plastic parts in the equipment. Ensure that no water can get into the interior of the equipment.

9.2 Ordering replacement parts

Please provide the following information on all orders for spare parts:

- Model/type of the equipment
- Article number of the equipment
- ID number of the equipment

For our latest prices and information please go to www.isc-gmbh.info

10. Disposal and recycling

The equipment is supplied in packaging to prevent it from being damaged in transit. The raw materials in this packaging can be reused or recycled. The equipment and its accessories are made of various types of material, such as metal and plastic. Defective components must be disposed of as special waste. Ask your dealer or your local council.

11. Excluded from the guarantee are:

- Wear parts
- Damage caused by inadmissible operating pressure.
- Damage caused by compressed air which has not been conditioned.
- Damage caused by improper use or unauthorized intervention.

GB/
IE

12. Declaration of conformity

Einhell Germany AG · Wiesenweg 22 · D-94405 Landau/Isar



Konformitätserklärung

- erklärt folgende Konformität gemäß EU-Richtlinie und Normen für Artikel
 explains the following conformity according to EU directives and norms for the following product
 déclare la conformité suivante selon la directive CE et les normes concernant l'article
 dichiara la seguente conformità secondo la direttiva UE e le norme per l'articolo
 verklaart de volgende overeenstemming conform EU richtlijn en normen voor het product
 declara la siguiente conformidad a tenor de la directiva y normas de la UE para el artículo
 declara a seguinte conformidade, de acordo com a directiva CE e normas para o artigo
 atterer følgende overensstemmelse i medfør af EU-direktiv samt standarder for artikel
 förklarar följande överensstämmelse enl. EU-direktiv och standarder för artikeln
 vakuuttaa, että tuote täyttää EU-direktiivin ja standardien vaatimukset
 tõendab toote vastavust EL direktiivile ja standarditele
 vydává následující prohlášení o shodě podle směrnice EU a norem pro výrobek
 potrjuje sledečo skladnost s smernico EU in standardi za izdelek
 vydáva nasledujúce prehlásenie o zhode podľa smernice EÚ a noriem pre výrobok
 a cikkekez az EU-irányvonal és Normák szerint a következő konformitást jelenti ki
 deklaruje zgodność wymienionego poniżej artykułu z następującymi normami na podstawie dyrektywy WE.
 декларира съответното съответствие съгласно Директива на ЕС и норми за артикул
 paskaidro šādu atbilstību ES direktīvai un standartiem
 apibūdina šj atitikimą EU reikalavimams ir prekės normoms
 declară următoarea conformitate conform directivei UE și normelor pentru articolul
 δηλώνει την ακόλουθη συμμόρφωση σύμφωνα με την Οδηγία ΕΚ και τα πρότυπα για το προϊόν
 potvrđuje sljedeću usklađenost prema smjernicama EU i normama za artikl
 Izjava o sukladnosti za ovaj proizvod dostupna je na internet stranici www.lidl.hr.
 potvrđuje sljedeću usklađenost prema smjernicama EU i normama za artikl
 potvrđuje sledeću usklađenost prema smernicama EZ i normama za artikal
 следующим удостоверяется, что следующие продукты соответствуют директивам и нормам ЕС
 проголошує про зазначену нижче відповідність виробу директивам та стандартам ЄС на виріб
 Ürünü ile ilgili AB direktifleri ve normları gereğince aşağıda açıklanan uygunluğu belirtir
 erklærer følgende samsvar i henhold til EU-direktivet og standarder for artikkel
 Lýsir uppfyllingu EU-reglna og annarra staða vöru

Druckluft-Tacker/Nagler PDT 40 A1 (Parkside)

- 87/404/EC_2009/105/EC
 2005/32/EC_2009/125/EC
 2006/95/EC
 2006/28/EC
 2004/108/EC
 2004/22/EC
 1999/5/EC
 97/23/EC
 90/396/EC_2009/142/EC
 89/686/EC_96/58/EC
- 2006/42/EC
 Annex IV
 Notified Body:
 Notified Body No.:
 Reg. No.:
- 2000/14/EC_2005/88/EC
 Annex V
 Annex VI
 Noise: measured L_{WA} = dB (A); guaranteed L_{WA} = dB (A)
 P = KW; LØ = cm
 Notified Body:
- 2004/26/EC
 Emission No.:

Standard references: EN 792-13

Landau/Isar, den 31.01.2011

Weichselgartner/General Manager

Wang/Product-Management

First CE: 10
 Art.-No.: 41.377.62 I.-No.: 11021
 Subject to change without notice

Archive-File/Record: NAPR003575
 Documents registrar: Siegfried Roider
 Wiesenweg 22, D-94405 Landau/Isar

12. Declaration of conformity

Einhell Germany AG · Wiesenweg 22 · D-94405 Landau/Isar



Konformitätserklärung

- (C)** erklärt folgende Konformität gemäß EU-Richtlinie und Normen für Artikel
- (EN)** explains the following conformity according to EU directives and norms for the following product
- (F)** déclare la conformité suivante selon la directive CE et les normes concernant l'article
- (I)** dichiara la seguente conformità secondo la direttiva UE e le norme per l'articolo
- (NL)** verklaart de volgende overeenstemming conform EU richtlijn en normen voor het product
- (E)** declara la siguiente conformidad a tenor de la directiva y normas de la UE para el artículo
- (P)** declara a seguinte conformidade, de acordo com a directiva CE e normas para o artigo
- (DK)** atterer følgende overensstemmelse i medfør af EU-direktiv samt standarder for artikel
- (S)** förklarar följande överensstämmelse enl. EU-direktiv och standarder för artikeln
- (FIN)** vakuuttaa, että tuote täyttää EU-direktiivin ja standardien vaatimukset
- (EL)** төэндab тооте vastavust EL дирекtiivile ja standarditele
- (CZ)** vydává následující prohlášení o shodě podle směrnice EU a norem pro výrobek
- (SK)** potvrduje sledečo skladnosť s smernico EU in standardi za izdelek
- (HU)** ydává následující prohlášení o zhode podľa smernice EÚ a noriem pre výrobok
- (H)** a cikkekez az EU-irányvonal és Normák szerint a következő konformitást jelenti ki
- (PL)** deklaruje zgodność wymienionego poniżej artykułu z następującymi normami na podstawie dyrektywy WE.
- (BG)** декларира съответното съответствие съгласно Директива на ЕС и норми за артикул
- (LV)** paskaidro šādu atbilstību ES direktīvai un standartiem
- (LT)** apibūdina šį atitikimą EU reikalavimams ir prekės normoms
- (RO)** declară următoarea conformitate conform directivei UE și normelor pentru articolul
- (GR)** δηλώνει την ακόλουθη συμμόρφωση σύμφωνα με την Οδηγία ΕΚ και τα πρότυπα για το προϊόν
- (HR)** potvrđuje sljedeću usklađenost prema smjernicama EU i normama za artikl
Izjava o sukladnosti za ovaj proizvod dostupna je na internet stranici www.lidl.hr.
- (SI)** potrđuje sljedeću usklađenost prema smjernicama EU i normama za artikl
- (RS)** potvrđuje sledeću usklađenost prema smernicama EZ i normama za artikal
- (SL)** sledujočim udostoverjarsja, čto sledujoče produkte sootvetstvujut direktivam i normam EC
- (UA)** проголошує про зазначену нижче відповідність виробу директивам та стандартам ЄС на виріб
- (HU)** Ürünü ile ilgili AB direktifleri ve normları gereğince aşağıda açıklanan uygunluğu belirtir
- (CY)** erklærer følgende samsvar i henhold til EU-direktivet og standarder for artikkel
- (IS)** Lýsir uppfyllingu EU-reglna og annarra staða vöru

Schutzbrille SF 026

- | | |
|--|---|
| <input type="checkbox"/> 87/404/EC_2009/105/EC | <input type="checkbox"/> 2006/42/EC |
| <input type="checkbox"/> 2005/32/EC_2009/125/EC | <input type="checkbox"/> Annex IV
Notified Body:
Notified Body No.:
Reg. No.: |
| <input type="checkbox"/> 2006/95/EC | |
| <input type="checkbox"/> 2006/28/EC | <input type="checkbox"/> 2000/14/EC_2005/88/EC |
| <input type="checkbox"/> 2004/108/EC | <input type="checkbox"/> Annex V |
| <input type="checkbox"/> 2004/22/EC | <input type="checkbox"/> Annex VI
Noise: measured L_{WA} = dB (A); guaranteed L_{WA} = dB (A)
P = KW; LØ = cm
Notified Body: |
| <input type="checkbox"/> 1999/5/EC | |
| <input type="checkbox"/> 97/23/EC | <input type="checkbox"/> 2004/26/EC
Emission No.: |
| <input type="checkbox"/> 90/396/EC_2009/142/EC | |
| <input checked="" type="checkbox"/> 89/686/EC_96/58/EC | |

Standard references: EN 166

Landau/Isar, den 31.01.2011

Weichselgartner/General Manager

Wang/Product-Management

First CE: 10
Art.-No.: 41.377.62 I.-No.: 11021
Subject to change without notice

Archive-File/Record: NAPR003575
Documents registrar: Siegfried Roider
Wiesenweg 22, D-94405 Landau/Isar

13. GUARANTEE CERTIFICATE

Dear Customer,

All of our products undergo strict quality checks to ensure that they reach you in perfect condition. In the unlikely event that your device develops a fault, please contact our service department at the address shown on this guarantee card. Of course, if you would prefer to call us then we are also happy to offer our assistance under the service number printed below. Please note the following terms under which guarantee claims can be made:

1. These guarantee terms cover additional guarantee rights and do not affect your statutory warranty rights. We do not charge you for this guarantee.
2. Our guarantee only covers problems caused by material or manufacturing defects, and it is restricted to the rectification of these defects or replacement of the device. Please note that our devices have not been designed for use in commercial, trade or industrial applications. Consequently, the guarantee is invalidated if the equipment is used in commercial, trade or industrial applications or for other equivalent activities. The following are also excluded from our guarantee: compensation for transport damage, damage caused by failure to comply with the installation/assembly instructions or damage caused by unprofessional installation, failure to comply with the operating instructions (e.g. connection to the wrong mains voltage or current type), misuse or inappropriate use (such as overloading of the device or use of non-approved tools or accessories), failure to comply with the maintenance and safety regulations, ingress of foreign bodies into the device (e.g. sand, stones or dust), effects of force or external influences (e.g. damage caused by the device being dropped) and normal wear resulting from proper operation of the device. This applies in particular to rechargeable batteries for which we nevertheless issue a guarantee period of 12 months.

The guarantee is rendered null and void if any attempt is made to tamper with the device.
3. The guarantee is valid for a period of 3 years starting from the purchase date of the device. Guarantee claims should be submitted before the end of the guarantee period within two weeks of the defect being noticed. No guarantee claims will be accepted after the end of the guarantee period. The original guarantee period remains applicable to the device even if repairs are carried out or parts are replaced. In such cases, the work performed or parts fitted will not result in an extension of the guarantee period, and no new guarantee will become active for the work performed or parts fitted. This also applies when an on-site service is used.
4. In order to assert your guarantee claim, please send your defective device postage-free to the address shown below. Please enclose either the original or a copy of your sales receipt or another dated proof of purchase. Please keep your sales receipt in a safe place, as it is your proof of purchase. It would help us if you could describe the nature of the problem in as much detail as possible. If the defect is covered by our guarantee then your device will either be repaired immediately and returned to you, or we will send you a new device.

Of course, we are also happy offer a chargeable repair service for any defects which are not covered by the scope of this guarantee or for units which are no longer covered. To take advantage of this service, please send the device to our service address.

Einhell UK Ltd
Morpeth Wharf
Twelve Quays
Birkenhead, Wirral
CH41 1LF

Tel. 0151 6491500, Fax 0151 6491501

Sisällysluettelo	Sivu
1. Johdanto	19
2. Turvallisuusmääräykset	19-20
3. Laitteen kuvaus	20
4. Toimituksen laajuus	20
5. Määräysten mukainen käyttö	20-21
6. Tekniset tiedot	21-22
7. Käyttöönotto	22-24
8. Huolto ja hoito	24
9. Puhdistus ja varaosatilaukset	24
10. Käytöstäpoisto ja uusiokäyttö	24
11. Takuun rajoitukset	25
12. Standardinmukaisuustodistus	26-27
13. Takuutodistus	28

Tuotedokumentaation ja tuotteen mukana toimitettujen papereiden osittainenkin kopiointi tai muu monistaminen on sallittu ainoastaan ISC GmbH:n nimenomaisella luvalla.

Oikeus teknisiin muutoksiin pidätetään



Laitekohtaiset turvallisuusmääräykset



VAROITUS – Tapaturmavaaran vähentämiseksi lue käyttöohje



Käytä kuulosuojuksia.

Melu saattaa aiheuttaa kuulon menetyksen.



Käytä suojalaseja.

Työn aikana syntyvät kipinät tai laitteesta sinkoilevat sirut, lastut ja pölyt saattavat aiheuttaa näkökyvyn menetyksen.



Älä käytä laitetta telineillä tai tikkailla.

1. Johdanto

⚠ Huomio!

Laitteita käytettäessä tulee noudattaa tiettyjä turvallisuusvaroitoimia tapaturmien ja vaurioiden välttämiseksi. Lue sen vuoksi tämä käyttöohje huolellisesti läpi. Säilytä käyttöohje hyvin, jotta siinä olevat tiedot ovat myöhemminkin milloin vain käytettävissäsi. Jos luovutat laitteen muille henkilöille, ole hyvä ja anna heille myös tämä käyttöohje laitteen mukana. Emme ota mitään vastuuta tapaturmista tai vaurioista, jotka ovat aiheutuneet tämän käyttöohjeen tai turvallisuusohjeiden noudattamisen laiminlyönnistä.

2. Turvallisuusmääräykset

⚠ VAROITUS

Lue kaikki turvallisuusmääräykset ja ohjeet. Jos turvallisuusmääräyksiä tai muita ohjeita ei noudateta, saattaa tästä aiheutua sähköiskuja, tulipaloja ja/tai vaikeita vammoja. **Säilytä kaikki turvallisuusmääräykset ja ohjeet myöhempää tarvetta varten.**

Suojaa itseäsi ja ympäristöäsi tapaturmavaaroilta tarkoituksenmukaisin varotoimin.

- Älä käytä niitaajaa muuhun kuin sen oikeaan käyttötarkoitukseen.
- Pidä paineilmatyökalut poissa lasten ulottuvilta.
- Ryhdy työhön vain levänneenä ja keskittyneenä.
- Tee paineilmaliitäntä vain käyttämällä pikaliitäntä.
- Pakotuslaitteet saa liittää vain paineilmajohtoihin, joissa laitteen suurin sallittu paine voidaan ylittää korkeintaan 10%. Jos paine on korkeampi, täytyy paineilmajohtoon asentaa peräänkytketyllä paineenrajausventtiilillä varustettu paineensäätöventtiili (paineentasaaaja).
- Työpaineen säätö täytyy tehdä paineentasaaajan avulla.

- Käytä paineilmakäyttöisiä pakotuslaitteita vain kuhunkin työhön tarvittavalla paineella, jotta vältät tarpeettoman voimakkaat melunpäästöt, lisääntyneen kulumisen ja tästä aiheutuvat häiriöt.
- Energianlähteenä ei saa käyttää happea tai palavia kaasuja. Tästä aiheutuu tulipalo- ja räjähdysvaara.
- Irrota laite paineilman lähteestä ennen häiriöiden poistoa ja huoltotoimia.
- Käytä ainoastaan alkuperäisiä varaosia. Kunnossapitotoimet saa suorittaa vain valmistajan valtuuttama tai muuten ammattitaitoinen henkilö noudattaen käyttöohjeessa niistä annettuja ohjeita.
- Käytä niitaajalla työskennellessäsi tarkoituksenmukaisia suojarusteita, erityisesti suojalaseja ja suojakäsineitä.
- Suurinta ilmanpainetta 8 baaria ei saa ylittää
- Älä suuntaa liitettyä ja täytettyä naulaajaa ihmisiä kohti.
- Älä poista suojakosketuslaitteita.
- Älä jätä käyttövalmista laitetta valvomatta.
- Älä käytä viallisia laitteita.
- Käytä vain teknisissä tiedoissa määrättyjä niittejä/nauloja.
- Laitteen täytyy olla paineeton, kun se on irrotettu johdosta.
- Älä koskaan käytä laitetta ilman niittejä/nauloja.
- Älä koskaan suuntaa käyttövalmista pakotuslaitetta suoraan itseäsi tai muita henkilöitä kohti.
- Pitele pakotuslaitetta työskennellessäsi niin, että päähäsi tai vartaloosi ei aiheudu vammoja, jos laite sinkoaa taaksepäin tehonsyöttöhäiriön tai työstökappaleen kovan kohdan vuoksi.
- Älä koskaan laukaise pakotuslaitetta vapaasti ilmaan. Siitä saattaa seurata vapaasti lentelevien pakotusvälineiden aiheuttamia vaaroja tai laitteen ylikuormitus.
- Kuljettamista varten pakotuslaite täytyy irrottaa paineilmaverkosta, erityisesti jos käytät tikkaita tai joudut liikkumaan epätavallisessa asennossa.
- Kanna pakotuslaitetta vain sen kahvasta äläkä pidä liipaisinta painettuna.
- Tarkasta työpaikan ominaisuudet. Pakotuslaitteet saattavat puhkaista ohuet

FI

työstökappaleet tai luiskahtaa työstökappaleesta nurkkia ja reunoja työstettäessä ja vaarantaa tällöin muita ihmisiä.

- Käytä itsesi suojaamiseksi tarkoituksenmukaisia suojarusteita, kuten esim. kuulo- ja näkösuojaimia.
- Ennen jokaista käyttöönottoa tulee tarkastaa, että laukaisunvarmistus toimii moitteettomasti. Laitetta saa käyttää ainoastaan kun tämä toiminto on moitteeton.

Laitte ei sovellu käytettäväksi seuraaviin töihin:

- jos siirtyminen yhdestä pakotuskohdasta toiseen tapahtuu telineiden, portaiden, tikkaiden tai tikkaita muistuttavien rakenteiden, kuten esim. kattolaudoituksen kautta
- laatikoiden tai koppien sulkemiseen
- kuljetusvarmistusten kiinnittämiseen esim. ajoneuvoihin ja vaunuihin

Säilytä turvallisuusmääräykset huolellisesti.

Jäämääriskit

Silloinkin, kun käytät tätä sähkötyökalua määräysten mukaisesti, jää jäljelle joitain riskejä. Tämän työkalun rakenteesta ja mallista riippuen saattaa esiintyä seuraavia vaaroja:

1. rusementysvaara
2. pakotusvälineiden aiheuttamien vammojen vaara
3. kuulovauriot, ellei käytetä soveliaita kuulosuojaimia.
4. käden ja käsivarren tärinästä aiheutuvat terveysriskit, mikäli laitetta ei käytetä tai huolleta määräysten mukaisesti.

3. Laitteen kuvaus (kuva 1/8)

- A Liipaisin
- B Paineilmaliitäntä
- C Makasiinin vipu
- D Makasiinin suojakansi
- E Makasiini
- F Täyttömäärän näyttö
- G Syvyyden säätö
- H Laukaisunvarmistus
- I Peitelevy ulkopuolella
- J Peitelevy sisäpuolella
- K Kääntyvä ilmanpäästö

4. Toimituksen laajuus (kuva 2)

- L Suojalasit
- M Paineilmaerikoisöljy
- N Koloavain 3 mm
- O Koloavain 4 mm

ilman kuvaa:

- 15 mm, 25 mm, 40 mm, 50 mm nauvoja, kutakin 250 kpl
- niittejä, 250 kpl 16 mm, 500 kpl 25 mm, 250 kpl 40 mm

5. Määräysten mukainen käyttö

Niittaaja on moneen käyttötarkoitukseen sopiva paineilmakäyttöinen työkalu.

Tämä laite on tarkoitettu upponaulojen ja niittien pakottamiseen puuhun ja samantyyppisiin materiaaleihin. Vain sellaisten naulojen tai niittien käyttö on sallittu, jotka on mainittu kohdassa „Tekniset tiedot“ tai merkitty makasiinissa olevaan ohjekilpeen. Muunlaisia pakotusvälineitä ei saa käyttää. Käyttö koviin työstömateriaaleihin kuten kiveen, metalliin jne. ei myöskään ole sallittu.

Laitetta saa käyttää ainoastaan sille määrättyyn tarkoitukseen. Kaikkalainen tämän ylittävä käyttö ei ole määräysten mukaista. Kaikista tästä aiheutuvista vahingoista tai loukkaantumisista on vastuussa laitteen

omistaja/käyttäjä eikä suinkaan sen valmistaja.

Ole hyvä ja ota huomioon, että laitteitamme ei ole suunniteltu käytettäväksi pienteollisuus-, käsityöläis- tai teollisuustarkoituksiin. Emme hyväksy mitään takuuvaateita, jos laitetta käytetään pienteollisuus-, käsityöläis- tai teollisuustyöpaikoilla tai näihin verrattavissa olevissa toimissa.

Korjaukset ja huoltotyöt saa suorittaa vain valtuutettu alan korjaamo.

Huomaa!

Liian pieni letkun sisähalkaisija ja liian pitkä letkujohdo aiheuttavat laitteen tehohäviöitä.

6. Tekniset tiedot

Suurin sallittu työpaine	8 baaria
Suosittelut painealue	4-7,5 baaria
Paineilman tarve	n. 0,11 l/laukaisu
Niitin leveys	5,7 mm
Niitin pituus	13 - 40 mm
Naulan pituus	10 - 50 mm
Suosittelut letkun halkaisija	Ø 9 mm
Paino	n. 1,3 kg
Äänen painetaso L_{pA}	85,5 dB(A)
Äänen tehotaso L_{WA}	98,8 dB(A)
Äänen painetaso L_{pC}	113,6 dB(A)
Tärinä $_{w}$	$\leq 2,5 \text{ m/s}^2$
Mittausepäätarkkuus K	27,93 %

Nämä melunpäästöarvot ovat laitekohtaisia tunnusarvoja eivätkä esitä käyttöpaikalla syntyvää melunkehitystä. Käyttöpaikalla syntyvä melunkehitys on riippuvainen esim. työympäristöstä, työstökappaleesta, työstökappaleen alustasta ja pakotustapahtumien lukumäärästä. Annettu tärinäarvo on laitekohtainen tunnusarvo eikä se esitä vaikutusta käden ja käsivarren toimintaan laitteen käytön aikana.

Laitteen käytön vaikutus käden ja käsivarren toimintaan on riippuvainen esim. tarttumavoimasta, puristusvoimasta, työskentelysuunnasta, säädetyistä ilmanpaineesta, työstökappaleesta, työstökappaleen alustasta.

Rajoita melunpäästöt ja tärinä mahdollisimman vähäisiksi!

Käytä ainoastaan moitteettomia laitteita. Huolla ja puhdista laite säännöllisesti. Sovita työskentelytapasi laitteen mukaiseksi. Älä ylikuormita laitetta. Tarkastuta laite aina tarvittaessa. Sammuta laite, kun sitä ei käytetä. Käytä suojakäsineitä.

Paineilman laatu:

puhdistettu ja öljysumutettu.

Ilmansyöttö:

liitetään suodattimellisella paineentasajalla ja sumuöljyämislaitteella varustetun huoltoyksikön avulla paineilman lähteeseen.

Kompressorin suositeltu teho:

kompressori kehittää n. 250 l/min., tämä vastaa suunnilleen moottorin tehoa 2,2 kW

Huomaa:

Käytä niittaajaa käyttäessäsi tarvittavia suojarusteita, erityisesti suojalaseja.

Noudata turvallisuusmääräyksiä.

FI

6.1 Suojalasit (SF026)

Suojalasit (kuva 2/kohta L) suojaavat silmiä suurella nopeudella sinkoavilta pieniltä osilta ja estävät käyttäjän loukkaantumisen.

Jotta suojateho on optimaalinen, täytyy suojalasit säätää käyttäjälle sopiviksi pidentämällä tai lyhentämällä sankoja. Lasien säätö: Sankojen pituutta voi säätää työntämällä sankoja lukitukseen.

Tarkastuslaitoksen tunnusnumero, nimi ja osoite

N.B. 0196
Gesellschaft für Konformitätsbewertung mbH
Alboinstrasse 56
12103 Berliini, Saksa

Suojalaseissa olevien merkkien selitys

1: optinen luokka:
F: mekaaninen lujuus (45 m/s)
166: standardin numero (EN 166)

Puhdistus

Puhdista lasit säännöllisesti käyttäen haaleaa vettä ja vähän saippuaa. Älä käytä puhdistusaineita tai liuotteita; ne saattavat syövyttää muoviosia.

Säilytys

Älä säilytä suojalaseja erittäin kuumassa ympäristössä tai alltiina UV-säteille. Tämä saattaa lyhentää muoviosien kestävyyttä. Säilytä suojalaseja pimeässä ja viileässä, kun niitä ei käytetä.

Käytön kesto

Jos suojalasien lasit ovat raapiutuneet tai vahingoittuneet tai jos kehykset ovat vahingoittuneet, täytyy suoalasit vaihtaa uusiin.

Kuljetus

Suojalasit voidaan panna laitteen kuljetuslaukkuun.

Varoitukset

Jos suojalasien alla käytetään tavallisia korjaavia silmälaseja, aiheutuu tästä käyttäjän tapaturmavaara, jos suurella nopeudella suojalaseihin törmäävien osasten iskut

välittyvät silmälaseihin.

Käyttäjän iholle joutuneet työstöaineet saattavat aiheuttaa allergiaa herkistyneille henkilöille.

Älä työskentele käyttäen suojalaseja, joiden lasit ovat naarmuttuneet tai vahingoittuneet.

7. Käyttöönotto

- Tarkasta ennen jokaista työhön ryhtymistä laukaisuvarmistuksen moitteeton toiminta sekä kaikkien ruuvien ja muttereiden tiukkuus.
- Älä tee mitään muutoksia pakotuslaitteen toimintaan.
- Älä ota mitään pakotuslaitteen osia pois tai ehkäise niiden toimintaa, kuten esim. laukaisuvarmistusta.
- Älä suorita mitään "hätkörjauksia" sopimattomilla välineillä.
- Pakotuslaite tulee huoltaa säännöllisesti ja asiantuntevasti valmistajan antamien ohjeiden mukaisesti.
- Vältä kaikkia laitetta heikentäviä tai vahingoittavia toimia, esim.
 - a) laitteeseen pistottamista tai kaivertamista,
 - b) muutoksia, joita valmistaja ei ole sallinut,
 - c) johdattamista kovasta materiaalista, esim. teräksestä, valmistettuja sabluunoja pitkin,
 - d) laitteen työntämistä lattiaa pitkin,
 - e) käyttöä vasarana,
 - f) kaikkinaisia voimatoimia.

7.1 Laukaisuvarmistuksen tarkastus

Tarkasta laukaisuvarmistus (kuva 1/kohta H) ennen jokaista käyttökertaa.

Laukaisuvarmistuksen täytyy liikkua vapaasti tarttumatta kiinni. Laukaisuvarmistuksen jousen täytyy palauttaa laukaisuvarmistus takaisin lähtöasemaan. Älä koskaan käytä laitetta, jos laukaisuvarmistus ei toimi.

1. Erotta laite paineilman syötöstä.
2. Poista pakotustarpeet makasiinista (kuv 1 / kohta E).
3. Tarkasta sitten, että laukaisin ja laukaisuvarmistus voivat liikkua vapaasti

- ylös ja alas.
4. Liitä laite ilmansyöttöön.
 5. Paina laukaisunvarmistus työstökappaleeseen painamatta liipaisinta. Laite ei saa toimia. Älä käytä laitetta, jos se toimii, ilman että liipaisinta painetaan. Loukkaantumiswaara!
 6. Ota laite eroon työstökappaleesta. Laukaisunvarmistuksen täytyy palata irroitettuun lähtöasemaan. Paina liipaisinta. Laite ei saa toimia. Älä käytä laitetta, jos se toimii tässä. Loukkaantumiswaara!
 7. Paina liipaisinta ja paina laukaisunvarmistus työstökappaletta vastaan. Laite toimii.
 8. Paina laukaisunvarmistusta työstökappaleeseen ja paina liipaisinta, laite toimii.

7.2 Niittien ja naulojen täyttäminen

- Makasiinia (kuva 1/kohta E) täyttäessäsi pitele laitetta niin, että sen suuaukko ei ole suunnattuna omaa vartaloasi eikä myöskään muita henkilöitä kohti.
- Makasiinin täyttämiseksi paina makasiinin vipua (kuva 1/kohta C) ja vedä makasiinin peitelevyä (kuva 1 / kohta D) taaksepäin vasteeseen saakka.
- Pane niitit paikalleen kuvan 3 tai naulat kuvan 4 mukaisesti paikalleen.
- Älä pane makasiiniin enempää kuin yksi niittitanko / naulatanko, muuten makasiini on liian täynnä eikä sitä voi enää sulkea. Työnnä makasiinin peitekantta sitten jälleen eteenpäin, kunnes se lukittuu.
- Täyttömäärän näytössä (kuva 5 / kohta F) näkyy jäljellä olevien niittien / naulojen lukumäärä, kun niitä on alle 50 kpl jäljellä.

7.3 Käyttö / työpaine

- Liitä paineilmakäyttöinen niittaaja/naulaaja paineilmaalitöntään (kuva 1 / kohta B).
- Säädä käännettävää ilmanpäästö (kuva 1 / kohta K) haluamaasi arvoon.
- Kytke ennen niittaajan käyttöönottoa kompressorin päälle ja säädä paineentasajasta työpaineeksi 4 baaria.
- Hienosäädön pykäläruuvien (kuva 6 / kohta G) täytyy olla suunnilleen asemien 1 ja 2 puolivälissä. Kierrä tätä varten pykäläruuvia asemasta 1 lähtien kolme kierrosta auki.

- Parhaiten käytät työpaineen säätämiseen koepalaa, joka on rakenteeltaan ja materiaalin paksuudeltaan samanlainen kuin käytettävät työstökappaleet.
- Aseta sitten paineilmakäyttöinen niittaaja/naulaaja niittaamista / naulaamista varten työstökappaleeseen ja vedä liipaisinvipu (kuva 1 / kohta A) kerran pohjaan ja päästä se jälleen irti joka laukaisun jälkeen.
- Jos naula tai niitti on pakotettu liian syvään, käännä paineentasajasta työpainetta alaspäin 0,5 baarin verran.
- Jost naula tai niitti ei ole painunut riittävän syvään tai se on pinnan päällä, korota työpainetta paineentasajasta 0,5 baarin verran.
- Pane sitten niittaaja/naulaaja uudelleen koekappaleeseen ja laukaise uudelleen.
- Muuta tuloksen mukaan työpainetta 0,5 baarin askelin ylöspäin tai alaspäin, kunnes pakotussyvyys on suunnilleen oikein. Hienosäädön (luku 7.4) suoritat sitten pykäläruuvien avulla.
- Tässä laitteessa on myös automaattitoiminto. Jos pidät liipaisinta painettuna, niin niittejä / nauloja lautaan automaattisesti, kun panet paineilmaniittaajan/-naulaajan työstökappaleeseen.
- Häiriöiden välttämiseksi huolehdi siitä, ettei niitata kahta kertaa samaan kohtaan.

Huomio:

Jos niitti / naula jää männän kuiluun kiinni, tee laite aina heti paineettomaksi (irrota paineilmaajohto), avaa makasiinilokero ja irrota vasta sitten peitelevyt (kuva 8 / kohdat I/J) avaamalla ruuvit mukana toimitetuilla koloavaimilla (kuva 2 / kohta N) (kuvat 7 / 8). Sitten voit ottaa kiinni jääneet niitit pois, tarvittaessa puhdistaa kanavan ja sulkea laitteen lopuksi päinvastaisessa järjestyksessä.

7.4 Hienosäätö

- Laite on varustettu pykäläruuvilla tehtävällä hienosäädöllä (kuva 6 / kohta G).
- Jos sitä kierretään alaspäin (kuva 6 / kohta 1), niin niitit / naulat painuvat syvemmälle.
- Jos niittejä / nautoja ei haluta painaa näin syväälle, täytyy pykäläruuvia kiertää ylöspäin (kuva 6 / kohta 2).

Huomio: Syvyydensäätöä ei saa tavallisessa käytössä vetää käsin taaksepäin, jotta estetään tahaton laukeaminen.

8. Huolto ja hoito

Huomio: Irrota laite paineilmaverkosta, ennen kuin suoritat huolto- ja puhdistustöitä.

Tässä annettujen huolto-ohjeiden noudattaminen varmistaa tämän laatutuotteen pitkäikäisyyden ja häiriöttömän toiminnan. Tarkasta aina ennen työn aloittamista, että makasiini (kuva 1 / kohta E) on lujasti paikallaan. Puhdista laite perusteellisesti aina työn jälkeen.

Niittaajasi jatkuvan moitteettoman toiminnan edellytyksenä on säännöllinen voitelu. Käytä tähän vain mukana toimitettua öljyä (kuva 2 / kohta M).

Voitelussa on kaksi mahdollisuutta:

8.1 sumuöljyämislaitteella

Täydelliseen huoltoyksikköön kuuluu sumuöljyämislaitte, ja se on asennettu kompressorin yhteyteen.

8.2 käsin

Jos laitteistoosi ei kuulu huoltoyksikköä eikä johtoöljyämislaitetta, niin ennen jokaista paineilmatyökalun käyttöönottoa täytyy paineilmaliihtäntään tiputtaa 3-5 tippaa öljyä. Jos paineilmatyökalu on ollut käyttämättä useampia päiviä, täytyy ennen sen käynnistämistä tiputtaa 5-10 tippaa öljyä paineilman liihtäntään.

Säilytä paineilmatyökalua vain kuivissa tiloissa.

8.3 Muut huoltotoimet

Laitteen sisällä ei ole muita huoltoa tarvitsevia osia.

9. Puhdistus ja varaosatilaus

Huomio: Irrota laite paineilmaverkosta, ennen kuin suoritat huolto- ja puhdistustöitä.

9.1 Puhdistus

- Pidä laukaisuvarmistus (kuva 1 / kohta H) niin puhtaana pölystä ja liasta kuin mahdollista. Pyyhi laite puhtaalla rievulla tai puhalla lika pois paineilmalla käyttäen alhaista paineasetusta.
- Suosittelemme laitteen puhdistamista aina heti käytön jälkeen.
- Puhdista laite säännöllisin väliajoin kostealla rievulla käyttäen hieman saippuaa. Älä käytä puhdistusaineita tai liuotteita; ne saattavat syövyttää laitteen muoviosia. Huolehdi siitä, ettei laitteen sisälle pääse vettä.

9.2 Varaosatilaus

Varaosia tilattaessa tulee antaa seuraavat tiedot:

- laitteen tyyppi
- laitteen tuotenumero
- laitteen tunnusnumero

Aktuellit hinnat ja muita tietoja löydät verkkosivustosta www.isc-gmbh.info

10. Käytöstäpoisto ja uusiokäyttö

Laite on pakattu kuljetuspakkaukseen, jotta vältetään kuljetusvauriot. Tämä pakkaus on raaka-ainetta ja sitä voi siksi käyttää uudelleen tai sen voi toimittaa kierrätyksen kautta takaisin raaka-ainekierto. Laite ja sen varusteet on valmistettu eri materiaaleista, kuten esim. metallista ja muoveista. Toimita vialliset rakenneosat ongelmajätehävitykseen. Tiedustele ohjeita alan ammattiliikkeestä tai kunnanhallitukselta!

11. Takuu ei kata näitä vaurioita:

- kuluvat osat
- luvattoman työpaineen aiheuttamat vauriot.
- käsittelemättömän paineilman aiheuttamat vauriot.
- virheellisen käytön tai vieraan käsittelyn aiheuttamat vauriot.

FI

12. Standardinmukaisuustodistus

Einhell Germany AG · Wiesenweg 22 · D-94405 Landau/Isar



Konformitätserklärung

- erklärt folgende Konformität gemäß EU-Richtlinie und Normen für Artikel
 explains the following conformity according to EU directives and norms for the following product
 déclare la conformité suivante selon la directive CE et les normes concernant l'article
 dichiara la seguente conformità secondo la direttiva UE e le norme per l'articolo
 verklaart de volgende overeenstemming conform EU richtlijn en normen voor het product
 declara la siguiente conformidad a tenor de la directiva y normas de la UE para el artículo
 declara a seguinte conformidade, de acordo com a directiva CE e normas para o artigo
 atterer følgende overensstemmelse i medfør af EU-direktiv samt standarder for artikel
 förklarar följande överensstämmelse enl. EU-direktiv och standarder för artikeln
 vakuuttaa, että tuote täyttää EU-direktiivin ja standardien vaatimukset
 tõendab toote vastavust EL direktiivile ja standarditele
 vydává následující prohlášení o shodě podle směrnice EU a norem pro výrobek
 potrjuje sledečo skladnost s smernico EU in standardi za izdelek
 vydáva nasledujúce prehlásenie o zhode podľa smernice EÚ a noriem pre výrobok
 a cikkekez az EU-irányvonal és Normák szerint a következő konformitást jelenti ki
 deklaruje zgodność wymienionego poniżej artykułu z następującymi normami na podstawie dyrektywy WE.
 декларира съответното съответствие съгласно Директива на ЕС и норми за артикул
 paskaidro šādu atbilstību ES direktīvai un standartiem
 aribūdina šj atitikimą EU reikalavimams ir prekės normoms
 declară următoarea conformitate conform directivei UE și normelor pentru articolul
 δηλώνει την ακόλουθη συμμόρφωση σύμφωνα με την Οδηγία ΕΚ και τα πρότυπα για το προϊόν
 potvrđuje sljedeću usklađenost prema smjernicama EU i normama za artikl
 Izjava o sukladnosti za ovaj proizvod dostupna je na internet stranici www.lidl.hr.
 potvrđuje sljedeću usklađenost prema smjernicama EU i normama za artikl
 potvrđuje sledeću usklađenost prema smernicama EZ i normama za artikal
 следующим удостоверяется, что следующие продукты соответствуют директивам и нормам ЕС
 проголошує про зазначену нижче відповідність виробу директивам та стандартам ЄС на виріб
 Ürünü ile ilgili AB direktifleri ve normları gereğince aşağıda açıklanan uygunluğu belirtir
 erklærer følgende samsvar i henhold til EU-direktivet og standarder for artikkel
 Lýsir uppfyllingu EU-reglna og annarra staða vöru

Druckluft-Tacker/Nagler PDT 40 A1 (Parkside)

- 87/404/EC_2009/105/EC
 2005/32/EC_2009/125/EC
 2006/95/EC
 2006/28/EC
 2004/108/EC
 2004/22/EC
 1999/5/EC
 97/23/EC
 90/396/EC_2009/142/EC
 89/686/EC_96/58/EC
- 2006/42/EC
 Annex IV
 Notified Body:
 Notified Body No.:
 Reg. No.:
- 2000/14/EC_2005/88/EC
 Annex V
 Annex VI
 Noise: measured L_{WA} = dB (A); guaranteed L_{WA} = dB (A)
 P = KW; LØ = cm
 Notified Body:
- 2004/26/EC
 Emission No.:

Standard references: EN 792-13

Landau/Isar, den 31.01.2011

Weichselgartner/General Manager

Wang/Product-Management

First CE: 10
 Art.-No.: 41.377.62 I.-No.: 11021
 Subject to change without notice

Archive-File/Record: NAPR003575
 Documents registrar: Siegfried Roider
 Wiesenweg 22, D-94405 Landau/Isar

12. Standardinmukaisuustodistus

Einhell Germany AG · Wiesenweg 22 · D-94405 Landau/Isar



Konformitätserklärung

- erklärt folgende Konformität gemäß EU-Richtlinie und Normen für Artikel
 explains the following conformity according to EU directives and norms for the following product
 déclare la conformité suivante selon la directive CE et les normes concernant l'article
 dichiara la seguente conformità secondo la direttiva UE e le norme per l'articolo
 verklaart de volgende overeenstemming conform EU richtlijn en normen voor het product
 declara la siguiente conformidad a tenor de la directiva y normas de la UE para el artículo
 declara a seguinte conformidade, de acordo com a directiva CE e normas para o artigo
 atterer følgende overensstemmelse i medfør af EU-direktiv samt standarder for artikel
 förklarar följande överensstämmelse enl. EU-direktiv och standarder för artikeln
 vakuuttaa, että tuote täyttää EU-direktiivin ja standardien vaatimukset
 tõendab toote vastavust EL direktiivile ja standarditele
 vydává následující prohlášení o shodě podle směrnice EU a norem pro výrobek
 potrjuje sledečo skladnost s smernico EU in standardi za izdelek
 vydáva nasledujúce prehlásenie o zhode podľa smernice EÚ a noriem pre výrobok
 a cikkekez az EU-irányvonal és Normák szerint a következő konformitást jelenti ki
 deklaruje zgodność wymienionego poniżej artykułu z następującymi normami na podstawie dyrektywy WE.
 декларира съответното съответствие съгласно Директива на ЕС и норми за артикул
 paskaidro šādu atbilstību ES direktīvai un standartiem
 aribūdina šj atitikimą EU reikalavimams ir prekės normoms
 declară următoarea conformitate conform directivei UE și normelor pentru articolul
 δηλώνει την ακόλουθη συμμόρφωση σύμφωνα με την Οδηγία ΕΚ και τα πρότυπα για το προϊόν
 potvrđuje sljedeću usklađenost prema smjernicama EU i normama za artikl
 Izjava o sukladnosti za ovaj proizvod dostupna je na internet stranici www.lidl.hr.
 potvrđuje sljedeću usklađenost prema smjernicama EU i normama za artikl
 potvrđuje sledeću usklađenost prema smernicama EZ i normama za artikal
 следующим удостоверяется, что следующие продукты соответствуют директивам и нормам ЕС
 проголошує про зазначену нижче відповідність виробу директивам та стандартам ЄС на виріб
 Ürünü ile ilgili AB direktifleri ve normları gereğince aşağıda açıklanan uygunluğu belirtir
 erklærer følgende samsvar i henhold til EU-direktivet og standarder for artikkel
 Lýsir uppfyllingu EU-reglna og annarra staða vöru

Schutzbrille SF 026

- 87/404/EC_2009/105/EC
 2005/32/EC_2009/125/EC
 2006/95/EC
 2006/28/EC
 2004/108/EC
 2004/22/EC
 1999/5/EC
 97/23/EC
 90/396/EC_2009/142/EC
 89/686/EC_96/58/EC
 2006/42/EC
 Annex IV
 Notified Body:
 Notified Body No.:
 Reg. No.:
 2000/14/EC_2005/88/EC
 Annex V
 Annex VI
 Noise: measured L_{WA} = dB (A); guaranteed L_{WA} = dB (A)
 P = KW; LØ = cm
 Notified Body:
 2004/26/EC
 Emission No.:

Standard references: EN 166

Landau/Isar, den 31.01.2011

 Weichselgartner/General Manager

 Wang/Product-Management

First CE: 10
 Art.-No.: 41.377.62 I.-No.: 11021
 Subject to change without notice

Archive-File/Record: NAPR003575
 Documents registrar: Siegfried Roider
 Wiesenweg 22, D-94405 Landau/Isar

13. TAKUUTODISTUS

Arvoisa asiakas,

tuotteemme läpikäyvät erittäin tiukan laadunvalvontatarkastuksen. Mikäli tämä laite ei kuitenkaan toimi moitteettomasti, valitamme tapahtunutta suuresti ja pyydämme sinua kääntymään teknisen asiakaspalvelumme puoleen käyttäen tässä takuukortissa annettua osoitetta. Voit halutessasi myös ottaa yhteyttä puhelimitse allaolevaan palvelunumeroon. Takuuvaateiden esittämistä koskevat seuraavat säädökset:

1. Nämä takuumääräykset koskevat laajennettuja takuusuorituksia. Ne eivät vaikuta lakimääräisiin takuusuoritusvaateisiin millään tavalla. Takuumme on sinulle maksuton.
2. Takuusuoritus kattaa ainoastaan sellaiset puutteellisuudet, jotka aiheutuvat materiaali- tai valmistusvirheistä, ja se on rajattu ainoastaan näiden puutteellisuuden korjaamiseen tai laitteen korvaamiseen uudella. Ole hyvä ja ota huomioon, että laitteitamme ei ole suunniteltu ja valmistettu käytettäväksi pienteollisuus-, käsityöläis- tai teollisuustarkoituksiin. Takuusopimusta ei siksi synny, jos laitetta käytetään pienteollisuus-, käsityöläis- tai teollisuustyöpaikoilla tai näihin verrattavissa olevissa toimissa. Takuumme ei myöskään sisällä kuljetusvaurioiden tai sellaisten vaurioiden korvaussuorituksia, jotka ovat aiheutuneet asennusohjeen noudattamatta jättämisestä tai asiantuntemattomasta asennuksesta, käyttöohjeen noudattamatta jättämisestä (esim. liitäntä vääryntyyppiseen verkkovirtaan), väärinkäytöstä tai virheellisestä käytöstä (esim. laitteen ylikuormittaminen tai hyväksymättömien työkalujen tai lisävarusteiden käyttäminen), huolto- ja turvallisuusmääräysten noudattamatta jättämisestä, vieraiden esineiden (esim. hiekan, kivien tai pölyjen) pääsystä laitteen sisään, väkivaltaisesta käsittelystä tai ulkopuolisista tekijöistä (esim. putoamisesta aiheutuneet vauriot) sekä käytöstä aiheutuvasta tavallisesta kulumisesta. Tämä koskee erityisesti niitä akkuja, joille me kuitenkin myönnämme 12 kuukauden pituisen takuun.

Takuuvaateet raukeavat, jos laitteelle on jo tehty jotain toimenpiteitä.

3. Takuuaika on 3 vuotta ja se alkaa laitteen ostopäivästä. Takuuvaateet tulee esittää ennen takuuajan päättymistä kahden viikon kuluessa siitä, kun olet havainnut vian. Takuuvaateiden esittäminen takuuajan päätyttyä ei ole mahdollista. Laitteen korjaus tai vaihto ei johda takuuajan pitenemiseen tai laitteen tai siihen mahdollisesti asennettujen varaosien takuuajan alkamiseen uudelleen alusta. Tämä koskee myös paikan päällä suoritettuja palveluja.
4. Takuuvaateesi esittämiseksi tulee viallinen laite lähettää postikulut maksettuna allaolevaan osoitteeseen. Ole hyvä ja liitä mukaan alkuperäinen maksukuitti tai muu päiväyksellä varustettu ostotosite. Säilytä tämän vuoksi kassakuitti huolella tositteenä! Ole hyvä ja kuvaa valituksen syy meille mahdollisimman tarkoin. Jos takuumme kattaa laitteessa olevan vian, saat korjatun tai uuden laitteen välittömästi takaisin.

Tietysti korjaamme mielellämme korvausta vastaan myös sellaiset laitteiden viat, jotka eivät kuulu tai eivät enää kuulu takuumme piiriin. Lähetä tätä varten laite tekniseen asiakaspalveluumme allaolevalla osoitteella.

Kauppahuone Harju OY

Myllypuronkatu 2

FIN-33330 Tampere

Tel. 0358 207431330 · Fax 0358 207431320

Innehållsförteckning	Sida
1. Inledning	31
2. Säkerhetsanvisningar	31-32
3. Beskrivning av maskinen	32
4. Leveransomfattning	32
5. Ändamålsenlig användning	32-33
6. Tekniska data	33-34
7. Använda maskinen	34-36
8. Underhåll och skötsel	36
9. Rengöring och reservdelsbeställning	36
10. Skrotning och återvinning	37
11. Följande täcks inte av garantin	37
12. Försäkran om överensstämmelse	38-39
13. Garantibevis	40

Eftertryck eller annan duplicering av dokumentation och medföljande underlag för produkterna, även utdrag, är endast tillåtet med uttryckligt tillstånd från ISC GmbH.

Med förbehåll för tekniska ändringar.

SE

Extra säkerhetsanvisningar



VARNING – Läs igenom bruksanvisningen för att sänka risken för skador



Bär hörselskydd.

Buller kan leda till att hörseln förstörs.



Bär skyddsglasögon.

Medan du använder maskinen finns det risk för att gnistor uppstår eller att splitter, spån och damm flyger ut ur verktyget. Dessa kan leda till att du blir blind.



Får inte användas om du står på byggnadsställningar eller stegar.

1. Inledning

⚠ Obs!

Innan produkterna kan användas måste särskilda säkerhetsanvisningar beaktas för att förhindra olyckor och skador. Läs därför noggrant igenom denna bruksanvisning. Förvara den på ett säkert ställe så att du alltid kan hitta önskad information. Om maskinen ska överlåtas till andra personer måste även denna bruksanvisning medfölja. Vi övertar inget ansvar för olyckor eller skador som har uppstått om denna bruksanvisning eller dessa säkerhetsanvisningar åsidosätts.

2. Säkerhetsanvisningar

⚠ VARNING!

Läs igenom alla säkerhetsanvisningar och instruktioner. Om säkerhetsanvisningarna eller instruktionerna inte beaktas på avsett vis finns det risk för elektriska slag, brand eller allvarliga personskador.

Spara på alla säkerhetsanvisningar och instruktioner för framtida bruk.

Skydda dig själv och omgivningen mot olyckor genom att tillta lämpliga försiktighetsåtgärder.

- Använd endast häftpistolen till avsett ändamål.
- Se till att tryckluftsverktyg är oåtkomliga för barn.
- Se till att du är utvilad och koncentrerad innan du börjar jobba.
- Anslut tryckluft endast via en snabbkoppling.
- Inslagningsverktyg får endast anslutas till ledningar vid vilka maskinens maximalt tillåtna tryck inte kan överskridas med mer än 10 %. Vid högre tryck ska en tryckreglerventil (trycksänkare) med efterkopplad tryckbegränsningsventil monteras in i tryckluftsledningen.
- Ställ in arbetstrycket med en trycksänkare.
- Använd endast tryckluftsdrivna inslagningsverktyg med så pass högt tryck

som krävs för just detta arbete. Därmed kan du undvika både onödigt högt ljud och större slitage, samtidigt som störningar uteblir.

- Använd inte syre eller brännbara gaser som energikälla. Brand- och explosionsrisk!
- Skilj maskinen åt från tryckluftskällan innan störningar åtgärdas och underhåll utförs.
- Använd endast original-reservdelar. Reparation får endast utföras av experter som har auktoriserats av tillverkaren, eller av andra experter, samtidigt som informationen i bruksanvisningen ska beaktas.
- Bär alltid lämpliga skyddskläder när du använder häftpistolen, särskilt skyddsglasögon och skyddshandskar.
- Överskrid inte det maximalt tillåtna lufttrycket på 8 bar.
- Rikta inte den anslutna och laddade spikpistolen mot personer.
- Demontera inga skyddskontaktanordningar.
- Lämna inte en laddad maskin utan uppsikt.
- Använd inte maskinen om den är defekt.
- Använd endast klammer/spik av den specifikation som anges i tekniska data.
- Efter att maskinen har kopplats loss ska den vara trycklös.
- Använd aldrig maskinen utan klammer/spik.
- Om inslagningsverktyget är driftklart får du aldrig rikta det mot dig själv eller andra personer.
- Medan du arbetar måste du hålla inslagningsverktyget så att ditt huvud eller dina händer inte kan skadas om verktyget skulle slå tillbaka pga. störningar i energiförsörjningen eller om det stöter emot hårda ytor i arbetsstycket.
- Utlös aldrig inslagningsverktyget ut i luften. I annat fall finns det risk för att personer skadas av klammer som flyger omkring i luften samtidigt som verktyget kan överbelastas.
- Innan inslagningsverktyget får transporteras måste det åtskiljas från tryckluftsnätet, särskilt om du använder stege eller står i en onormal kroppsställning.
- Vid arbetsplatsen får inslagningsverktyget endast bäras i handtaget och inte med intryckt utlösare.

SE

- Beakta förhållandena på arbetsplatsen. Klammer och spik kan eventuellt slå igenom tunna arbetsstycken eller glida av från arbetsstycken vid häftning på hörn och kanter. Risk för att personer skadas!
- Använd lämplig personlig skyddsutrustning, t ex hörsel- och ögonskydd.
- Kontrollera varje gång innan du använder maskinen att utlösningsspärren fungerar på avsett vis. Maskinen får endast tas i drift om denna anordning fungerar på fullgott vis.

Maskinen är inte lämplig för följande arbeten:

- Om du skiftar från ett inslagningsställe till ett annat medan du står på en byggnadsställning, en trappa, en stege eller stegliknande konstruktioner, t ex takläkt.
- Till att försluta lådor eller bås.
- Till att fästa transportsäkringar, t ex på fordon och vagnar.

Förvara säkerhetsanvisningarna på ett säkert ställe.

Kvarstående risker

Kvarstående risker föreligger alltid även om detta verktyg används enligt föreskrift. Följande risker kan uppstå på grund av elverktygets konstruktion och utförande:

1. Risk för klämskador!
2. Risk för personskador av klammer och spik
3. Hörselskador om inget lämpligt hörselskydd används.
4. Hälsoskador som uppstår av hand- och armvibrationer om maskinen inte hanteras och underhålls enligt föreskrift.

3. Beskrivning av maskinen (bild 1/8)

- A Avtryckare
- B Tryckluftsanslutning
- C Magasinspär
- D Magasinlock
- E Magasin
- F Mängdindikering
- G Djupinställning
- H Utlösningsspär
- I Yttre täckplatta
- J Inre täckplatta
- K Vridbart luftutblås

4. Leveransomfattning (bild 2)

- L Skyddsglasögon
- M Specialolja för tryckluft
- N Sexkantnyckel 3 mm
- O Sexkantnyckel 4 mm

utan bild:

- vardera 250 st spik, 15 mm, 25 mm, 40 mm, 50 mm
- vardera 250 st klammer 16 mm, 500 st 25 mm, 250 st 40 mm

5. Ändamålsenlig användning

Häftpistolen är ett tryckluftsdrivet verktyg för en mångsidig användning.

Denna maskin används till inslagning av dyckert och klammer i trä och liknande material. Det är endast tillåtet att slå in spik resp. klammer av den typ som anges under punkten "Tekniska data" och som visas på magasinet. Andra spik eller klammer får inte användas. Dessutom är det inte tillåtet att använda maskinen på hårda material, t ex sten, metall eller liknande.

Maskinen får endast användas till sitt avsedda ändamål. Användningar som sträcker sig utöver detta användningsområde är ej

ändamålsenliga. För materialsador eller personsador som resulterar av sådan användning ansvarar användaren själv. Tillverkaren övertar inget ansvar.

Tänk på att våra produkter endast får användas till ändamålsenligt syfte och inte har konstruerats för yrkesmässig, hantverksmässig eller industriell användning. Vi ger därför ingen garanti om produkten används inom yrkesmässiga, hantverksmässiga eller industriella verksamheter eller vid liknande aktiviteter.

Låt endast behöriga verkstäder utföra reparation och service.

Obs!

Pistolens prestanda försämras om slangens innerdiameter är för liten eller om slangledningen är för lång.

6. Tekniska data

Max. tillåtet arbetstryck	8 bar
Rekommenderat tryckintervall	4-7,5 bar
Luftförbrukning	ca 0,11 l/skott
Klammer bredd	5,7 mm
Klammer längd	13 - 40 mm
Spiklängd	10 - 50 mm
Rekommenderad slangdiameter	Ø 9 mm
Vikt	ca 1,3 kg
Ljudtrycksnivå L_{pA}	85,5 dB(A)
Ljudeffektnivå L_{WA}	98,8 dB(A)
Ljudtrycksnivå L_{pC}	113,6 dB (A)
Vibration a_w	$\leq 2,5 \text{ m/s}^2$
Osäkerhet K	27,93 %

Dessa värden för bulleremission är utrustningsrelaterade parametrar och anger inte bullret vid användningsplatsen. Bullret vid användningsplatsen är beroende t ex av arbetsomgivningen, arbetsstycket, arbetsstyckets anliggningsyta samt antal inslagningar.

Det angivna värdet för vibrationen är en utrustningsrelaterad parameter och anger inte i vilken omfattning händerna och armarna påverkas medan maskinen används. Påverkan på händerna och armarna när maskinen används är beroende bl a av gripkraft, presskraft, arbetsriktning, inställt lufttryck samt arbetsstyckets anliggningsyta.

Begränsa uppkomsten av buller och vibration till ett minimum!

- Använd endast intakta maskiner.
- Underhåll och rengör maskinen regelbundet.
- Anpassa ditt arbetssätt till maskinen.
- Överbelasta inte maskinen.
- Lämna in maskinen för översyn vid behov.
- Slå ifrån maskinen om den inte längre används.
- Bär handskar.

Tryckluftskvalitet

Renad och oljedimsmord.

Luftförsörjning

Anslut till en tryckluftskälla via en luftberedningsenhet med filtertrycksänkare och dimsmörjningsanordning.

Rekommenderad prestanda för kompressorn

En kompressor med ca 250 l/min motsvarar en motoreffekt på ca 2,2 kW.

Obs!

Bär alltid lämpliga skyddskläder när du använder häftpistolen, särskilt skyddsglasögon.

Beakta gällande säkerhetsbestämmelser.

SE

6.1 Skyddsglasögon (SF026)

Skyddsglasögonen (bild 2/pos. L) är avsedda att skydda ögonen mot smådelar som kan slungas ut med hög hastighet, och ska skydda användaren mot skador.

För att uppnå ett optimalt skydd måste skyddsglasögonens passform anpassas genom att skalmen förlängs eller förkortas. Ställ in glasögonen: Skjut skalmen i spärren för att anpassa längden.

Identifikationsnummer, namn och adress till provningsorgan

N.B. 0196
Gesellschaft für Konformitätsbewertung mbH
Alboinstrasse 56
12103 Berlin

Förklaring av symbolerna på skyddsglasögonen

1: optisk klass
F: mekanisk hållfasthet (45 m/s)
166: standardens nummer (EN 166)

Rengöring

Rengör glasögonen regelbundet med ljummet vatten och en aning såpa. Använd inga rengörings- eller lösningsmedel. Dessa kan skada glasögonens plastdelar.

Förvaring

Förvara inte skyddsglasögonen i extremt varm omgivning eller på platser där de utsätts för UV-strålning. Detta kan förkorta plastdelarnas livslängd. Förvara glasögonen mörkt och svalt när de inte används.

Användningstid

Byt ut glasögonen om glasen är repade eller har skadats, eller om bågen har skadats.

Transport

Skyddsglasögonen kan förvaras i transportväskan.

Varningsanvisningar

Om vanliga glasögon bärs under skyddsglasögonen finns det risk för att användaren skadas av slag som överförs av

smådelar som slungas ut med hög hastighet.

Material som kommer i kontakt med användarens ögon kan utlösa allergier hos känsliga personer.

Använd inga skyddsglasögon vars glas är repade eller skadade.

7. Använda maskinen

- Kontrollera innan maskinen används att utlösningsspärren fungerar och att samtliga skruvar och muttrar har dragits åt.
- Genomför inga manipulationer på inslagningsverktyget.
- Demontera inte och blockera inga delar på inslagningsverktyget, t ex en utlösningsspärr.
- Genomför inga "nödreparationer" med olämpliga medel.
- Underhåll inslagningsverktyget regelbundet och på ändamålsenligt sätt enligt tillverkarens anvisningar.
- Undvik alla slags försvagningar och skador på maskinen, t ex genom att
 - a) prägla eller gravera
 - b) utföra ombyggnader som inte godkänts av tillverkaren
 - c) köra maskinen längs med mallar som består av hårt material, t ex stål
 - d) skjuta maskinen över golvet
 - e) hantera maskinen som en hammare
 - f) utöva våld av alla slag

7.1 Kontrollera utlösningsspärren

Kontrollera utlösningsspärren (bild 1/pos. H) varje gång innan maskinen används. Utlösningsspärren ska kunna röra sig fritt utan att hacka. Fjädern i utlösningsspärren ska föra tillbaka utlösningsspärren till det uppreglade utgångsläget. Använd aldrig maskinen om utlösningsspärren inte fungerar.

1. Åtskilj maskinen från lufttillförseln.
2. Ta bort spik och klammer ur magasinet (bild 1/pos. E).
3. Kontrollera därefter att utlösaren och

utlösningsspärren kan röra sig fritt uppåt och nedåt.

4. Anslut maskinen till lufttillförseln.
5. Tryck utlösningsspärren mot arbetsstycket utan att trycka in utlösaren. Maskinen får inte starta. Använd inte maskinen om den kör fastän avtryckaren inte har tryckts in. Risk för skador!
6. Ta bort maskinen från arbetsstycket. Utlösningsspärren måste gå tillbaka till det lossade utgångsläget. Tryck in utlösaren. Maskinen får inte starta. Använd inte maskinen om den kör fastän avtryckaren inte har tryckts in. Risk för skador!
7. Tryck in utlösaren och tryck utlösningsspärren mot arbetsstycket. Maskinen kör.
8. Tryck utlösningsspärren mot arbetsstycket och tryck in utlösaren så att maskinen startar.

7.2 Fylla på klammer och spik

- När klammer och spik ska fyllas på i magasinet (bild 1/pos. E) ska maskinen hållas så att öppningen inte är riktad mot dig själv eller mot andra personer.
- Tryck in magasinsspärren (bild 1/pos. C) för att fylla på magasinet och dra sedan magasinlocket (bild 1/pos. D) bakåt tills det tar emot.
- Lägg in klammer (bild 3) eller spik (bild 4) enligt beskrivningen.
- Lägg inte in mer än en komplett stång med klammer / spik, eftersom magasinet annars blir överfullt och inte längre kan stängas. Skjut magasinlocket framåt tills det snäpper in.
- Mängdindikeringen (bild 5/pos. F) visar antal klammer / spik i magasinet om mindre än 50 st finns kvar.

7.3 Användning/arbetstryck

- Anslut den tryckluftsdrivna häftpistolen/spikpistolen till tryckluftsanslutningen (bild 1/pos. B).
- Ställ in det vridbara luftutsläppet (bild 1/pos. K) på avsett värde.
- Slå på kompressorn innan häftpistolen tas i drift, och ställ in arbetsstrycket på trycksänkaren på 4 bar.
- Den lettrade skruven för fininställning (bild 6/pos. G) måste befinna sig ungefär i mitten mellan pos. 1 och 2. Vrid upp den lettrade skruven med tre varv utgående från läge 1.
- När arbetsstrycket ställs in kan ett provstycke användas med samma struktur och materialtjocklek som de arbetsstycken som ska fogas samman.
- Sätt den tryckluftsdrivna häftpistolen/spikpistolen på arbetsstycket för att foga samman och tryck sedan in avtryckaren (bild 1/pos. A) helt en gång. Släpp avtryckaren efter varje skott.
- Om spiken eller klammern har slagits in för djupt ska arbetsstrycket vid trycksänkaren vridas tillbaka med 0,5 bar.
- Om spiken eller klammern inte har slagits in tillräckligt djupt, eller om den skjuter ut ur materialet ska arbetsstrycket vid trycksänkaren höjas med 0,5 bar.
- Sätt därefter häftpistolen / spikpistolen mot provstycket och tryck in utlösaren.
- Beroende på resultatet måste arbetsstrycket därefter ändras uppåt eller nedåt i steg om 0,5 bar tills inslagingsdjupet ungefär stämmer. Gör därefter en fininställning (avsnitt 7.4) med hjälp av den lettrade skruven.
- Denna maskin är dessutom utrustad med automatikdrift. Om du håller avtryckaren intryckt, kommer klammer/spik att slås in automatiskt när du sätter häftpistolen/spikpistolen på arbetsstycket.
- För att undvika störningar måste du se till att klammer/spik inte slås in två gånger på samma ställe.

Varning!

Om klammer/spik har fastnat i kanalen måste du alltid tömma maskinen på tryck (koppla loss tryckluftsförsörjningen), öppna magasinkanalen

SE

och därefter ta av täckplattorna (bild 8/pos. I/J) genom att lossa på skruvarna med bifogade insexnycklar (bild 2/pos. N) (bild 7/8). Därefter kan du ta ut klammer/spik som har fastnat. Rengör ev. kanalen och stäng därefter i omvänd följd.

7.4 Fininställning

- Maskinen är utrustad med en djupinställning (bild 6/pos. G) i form av en lettrad skruv.
- Om denna skruv vrids nedåt (bild 6/pos. 1) kommer klammer/spik att slås in djupare.
- Om klammer/spik ska slås in mindre djupt ska den lettrade skruven skruvas uppåt (bild 6/pos. 2).

Obs! För att undvika att skott utlöses av misstag, får djupinställningen inte dras bakåt för hand medan maskinen befinner sig i normaldrift.

8. Underhåll och skötsel

Obs! Koppla loss maskinen från tryckluftsnätet innan du utför underhåll och rengöring.

Följ underhållsanvisningarna för att garantera att du under många års tid ska få glädje av denna kvalitetsprodukt utan att driftstörningar uppstår.

Kontrollera att magasinet sitter fast ordentligt innan du använder häftpistolen (bild 1/pos. E). Rengör alltid maskinen noggrant omedelbart efter arbetets slut.

För att din häftpistol ska fungera pålitligt under lång tid framöver är det viktigt att den smörjs in regelbundet. Använd endast oljan som medföljer maskinen (bild 2/pos. M).

Det finns två olika möjligheter att smörja in maskinen:

8.1 Med en dimsmörjningsanordning

En komplett luftberedningsenhet innehåller en dimsmörjningsanordning och är monterad vid kompressorn.

8.2 För hand

Om din anläggning varken är utrustad med en luftberedningsenhet eller en ledningssmörjare, måste du tillsätta 3-5 droppar olja i tryckluftsanslutningen varje gång innan du använder tryckluftsverktyget. Om tryckluftsverktyget inte har använts under flera dagar, måste 5-10 droppar olja tillsättas i tryckluftsanslutningen innan verktyget används.

Förvara tryckluftsverktyget endast i torra utrymmen.

8.3 Övrigt underhåll

I maskinens inre finns inga delar som kräver underhåll.

9. Rengöring och reservdelsbeställning

Obs! Koppla loss maskinen från tryckluftsnätet innan du utför underhåll och rengöring.

9.1 Rengöring

- Håll utlösningsspärren (bild 1/pos. H) i så damm- och smutsfritt skick som möjligt. Torka av maskinen med en ren duk eller blås av den med tryckluft med svagt tryck.
- Vi rekommenderar att du rengör maskinen efter varje användningstillfälle.
- Rengör maskinen med jämna mellanrum med en fuktig duk och en aning såpa. Använd inga rengörings- eller lösningsmedel. Dessa kan skada maskinens plastdelar. Se till att inga vätskor tränger in i maskinens inre.

9.2 Reservdelsbeställning

Ange följande uppgifter när du beställer reservdelar:

- Produkttyp
- Produktens artikelnummer
- Produktens ID-nr.

Aktuella priser och ytterligare information finns på www.isc-gmbh.info

10. Skrotning och återvinning

Maskinen ligger i en förpackning som fungerar som skydd mot transportskador. Denna förpackning består av olika material som kan återvinnas. Lämna in förpackningen till ett insamlingsställe för återvinning. Maskinen och dess tillbehör består av olika material som t ex metaller och plaster. Lämna in defekta delar till ett godkänt insamlingsställe i din kommun. Hör efter med din kommun eller med försäljaren i din specialbutik.

11. Följande täcks inte av garantin:

- slitagedelar
- skador pga otillåtet arbetstryck
- skador pga ej förbehandlad tryckluft
- skador pga ej avsedd användning eller främmande ingrepp

SE

12. Försäkran om överensstämmelse

Einhell Germany AG · Wiesenweg 22 · D-94405 Landau/Isar



Konformitätserklärung

- erklårt folgende Konformität gemäß EU-Richtlinie und Normen für Artikel
 explains the following conformity according to EU directives and norms for the following product
 déclare la conformité suivante selon la directive CE et les normes concernant l'article
 dichiara la seguente conformità secondo la direttiva UE e le norme per l'articolo
 verklaart de volgende overeenstemming conform EU richtlijn en normen voor het product
 declara la siguiente conformidad a tenor de la directiva y normas de la UE para el artículo
 declara a seguinte conformidade, de acordo com a directiva CE e normas para o artigo
 attesterer følgende overensstemmelse i medfør af EU-direktiv samt standarder for artikel
 förklarar följande överensstämmelse enl. EU-direktiv och standarder för artikeln
 vakuuttaa, että tuote täyttää EU-direktiivin ja standardien vaatimukset
 tõendab toote vastavust EL direktiivile ja standarditele
 vydává následující prohlášení o shodě podle směrnice EU a norem pro výrobek
 potrjuje sledečo skladnost s smernico EU in standardi za izdelek
 vydáva nasledujúce prehlásenie o zhode podľa smernice EÚ a noriem pre výrobok
 a cikkekez az EU-irányvonal és Normák szerint a következő konformitást jelenti ki
 deklaruje zgodność wymienionego poniżej artykułu z następującymi normami na podstawie dyrektywy WE.
 декларира съответното съответствие съгласно Директива на ЕС и норми за артикул
 paskaidro šādu atbilstību ES direktīvai un standartiem
 apibūdina šj atitikimą EU reikalavimams ir prekės normoms
 declară următoarea conformitate conform directivei UE și normelor pentru articolul
 δηλώνει την ακόλουθη συμμόρφωση σύμφωνα με την Οδηγία ΕΚ και τα πρότυπα για το προϊόν
 potvrđuje sljedeću usklađenost prema smjernicama EU i normama za artikl
 Izjava o sukladnosti za ovaj proizvod dostupna je na internet stranici www.lidl.hr.
 potvrđuje sljedeću usklađenost prema smjernicama EU i normama za artikl
 potvrđuje sledeću usklađenost prema smernicama EZ i normama za artikal
 следующим удостоверяется, что следующие продукты соответствуют директивам и нормам ЕС
 проголошує про зазначену нижче відповідність виробу директивам та стандартам ЄС на виріб
 Ürünü ile ilgili AB direktifleri ve normları gereğince aşağıda açıklanan uygunluğu belirtir
 erklærer følgende samsvar i henhold til EU-direktivet og standarder for artikkel
 Lýsir uppfyllingu EU-reglna og annarra staða vöru

Druckluft-Tacker/Nagler PDT 40 A1 (Parkside)

- 87/404/EC_2009/105/EC
 2005/32/EC_2009/125/EC
 2006/95/EC
 2006/28/EC
 2004/108/EC
 2004/22/EC
 1999/5/EC
 97/23/EC
 90/396/EC_2009/142/EC
 89/686/EC_96/58/EC
- 2006/42/EC
 Annex IV
 Notified Body:
 Notified Body No.:
 Reg. No.:
- 2000/14/EC_2005/88/EC
 Annex V
 Annex VI
 Noise: measured L_{WA} = dB (A); guaranteed L_{WA} = dB (A)
 P = KW; L/Ø = cm
 Notified Body:
- 2004/26/EC
 Emission No.:

Standard references: EN 792-13

Landau/Isar, den 31.01.2011

Weichselgartner/General Manager

Wang/Product-Management

First CE: 10
 Art.-No.: 41.377.62 I.-No.: 11021
 Subject to change without notice

Archive-File/Record: NAPR003575
 Documents registrar: Siegfried Roider
 Wiesenweg 22, D-94405 Landau/Isar

12. Försäkran om överensstämmelse

Einhell Germany AG · Wiesenweg 22 · D-94405 Landau/Isar



Konformitätserklärung

- erklårt folgende Konformität gemäß EU-Richtlinie und Normen für Artikel
 explains the following conformity according to EU directives and norms for the following product
 déclare la conformité suivante selon la directive CE et les normes concernant l'article
 dichiara la seguente conformità secondo la direttiva UE e le norme per l'articolo
 verklaart de volgende overeenstemming conform EU richtlijn en normen voor het product
 declara la siguiente conformidad a tenor de la directiva y normas de la UE para el artículo
 declara a seguinte conformidade, de acordo com a directiva CE e normas para o artigo
 attesterer følgende overensstemmelse i medfør af EU-direktiv samt standarder for artikel
 förklarar följande överensstämmelse enl. EU-direktiv och standarder för artikeln
 vakuuttaa, että tuote täyttää EU-direktiivin ja standardien vaatimukset
 tõendab toote vastavust EL direktiivile ja standarditele
 vydává následující prohlášení o shodě podle směrnice EU a norem pro výrobek
 potrjuje sledečo skladnost s smernico EU in standardi za izdelek
 vydáva nasledujúce prehlásenie o zhode podľa smernice EÚ a noriem pre výrobok
 a cikkekhez az EU-irányvonal és Normák szerint a következő konformitást jelenti ki
 deklaruje zgodność wymienionego poniżej artykułu z następującymi normami na podstawie dyrektywy WE.
 декларира съответното съответствие съгласно Директива на ЕС и норми за артикул
 paskaidro šādu atbilstību ES direktīvai un standartiem
 apibūdina šj atitikimą EU reikalavimams ir prekės normoms
 declară următoarea conformitate conform directivei UE și normelor pentru articolul
 δηλώνει την ακόλουθη συμμόρφωση σύμφωνα με την Οδηγία ΕΚ και τα πρότυπα για το προϊόν
 potvrđuje sljedeću usklađenost prema smjernicama EU i normama za artikl
 Izjava o sukladnosti za ovaj proizvod dostupna je na internet stranici www.lidl.hr.
 potvrđuje sljedeću usklađenost prema smjernicama EU i normama za artikl
 potvrđuje sledeću usklađenost prema smernicama EZ i normama za artikal
 следующим удостоверяется, что следующие продукты соответствуют директивам и нормам ЕС
 проголошує про зазначену нижче відповідність виробу директивам та стандартам ЄС на виріб
 Ürünü ile ilgili AB direktifleri ve normları gereğince aşağıda açıklanan uygunluğu belirtir
 erklærer følgende samsvar i henhold til EU-direktivet og standarder for artikkel
 Lýsir uppfyllingu EU-reglna og annarra staða vöru

Schutzbrille SF 026

- 87/404/EC_2009/105/EC
 2005/32/EC_2009/125/EC
 2006/95/EC
 2006/28/EC
 2004/108/EC
 2004/22/EC
 1999/5/EC
 97/23/EC
 90/396/EC_2009/142/EC
 89/686/EC_96/58/EC
- 2006/42/EC
 Annex IV
 Notified Body:
 Notified Body No.:
 Reg. No.:
- 2000/14/EC_2005/88/EC
 Annex V
 Annex VI
 Noise: measured L_{WA} = dB (A); guaranteed L_{WA} = dB (A)
 P = KW; LØ = cm
 Notified Body:
- 2004/26/EC
 Emission No.:

Standard references: EN 166

Landau/Isar, den 31.01.2011

Weichselgartner/General Manager

Wang/Product-Management

First CE: 10
 Art.-No.: 41.377.62 I.-No.: 11021
 Subject to change without notice

Archive-File/Record: NAPR003575
 Documents registrar: Siegfried Roider
 Wiesenweg 22, D-94405 Landau/Isar

13. GARANTIBEVIS

Bästa kund,

Våra produkter genomgår en sträng kvalitetskontroll. Om denna produkt mot förmodan inte fungerar på rätt sätt, beklagar vi detta och ber dig att kontakta vår serviceavdelning under adressen som anges på garantikortet. Vi står även gärna till tjänst på telefon under servicenumret som anges nedan. Följande punkter gäller för att du ska kunna göra anspråk på garantin:

1. I dessa garantivillkor regleras extra garantitjänster. Garantianspråk som regleras enligt lag påverkas inte av denna garanti. Våra garantitjänster är gratis för dig.
 2. Garantitjänsterna täcker endast in sådana brister som kan härledas till material- eller fabriktionsfel och är begränsade till arbetsuppgifter som syftar till att åtgärda dessa brister eller byta ut produkten. Tänk på att våra produkter endast får användas till ändamålsenligt syfte och inte har konstruerats för yrkesmässig, hantverksmässig eller industriell användning. Ett garantiavtal sluts därför ej om produkten ska användas inom yrkesmässiga, hantverksmässiga eller industriella verksamheter eller vid liknande aktiviteter. Vår garanti omfattar dessutom inte ersättning för transportskador, skador som kan härledas till missaktade monteringsanvisningar eller ej föreskriven installation, åsidosatt bruksanvisning (t ex anslutning till felaktig nätspänning eller strömart), missbruk eller ej ändamålsenliga användningar (t ex överbelastning av produkten eller användning av ej godkända insatsverktyg eller tillbehör), åsidosatta underhålls- och säkerhetsbestämmelser, främmande partiklar som har trängt in i produkten (t ex sand, sten eller damm), yttre våld eller yttre påverkan (t ex skador om produkten har fallit ned) samt normalt och användningsbundet slitage. Detta gäller särskilt för batterier som täcks av en 12 månaders garanti.
- Anspråk på garanti upphör att gälla om ingrepp redan har gjorts i produkten.
3. Garantitiden uppgår till 3 år och gäller från datumet när produkten köptes. Medan garantitiden fortfarande gäller ska anspråk på garanti ställas inom två veckor efter att defekten fastställdes. Det är inte möjligt att ställa anspråk på garanti efter att garantitiden har löpt ut. Garantitiden förlängs inte när produkten repareras eller byts ut, dessutom medför sådana arbeten inte att en ny garantitid börjar gälla för produkten eller för ev. reservdelar som har monterats in. Detta gäller även vid hembesök.
 4. För att du ska kunna ställa anspråk på garantin ska den defekta produkten skickas in i tillräckligt frankerat skick till adressen som anges nedan. Bifoga kvittot i original eller ett annat daterat köpebevis. Förvara därför kassakvittot på en säker plats! Beskriv orsaken till reklamationen så noggrant som möjligt. Om defekten i produkten täcks av våra garantitjänster, får du genast en reparerad eller ny apparat av oss.

Givetvis kan vi även, mot debitering, åtgärda skador som antingen inte täcks av garantin eller som har uppstått efter garantitidens slut. Skicka in produkten till nedanstående serviceadress.

Svenska Einhell AB
Östergårde Industriområde 415
S-417 29 Göteborg
Tel.: +46 31 550 999 · Fax: +46 31 550 998

Indholdsfortegnelse	Side
1. Indledning	43
2. Sikkerhedsanvisninger	43-44
3. Oversigt over maskinen	44
4. Leveringsomfang	44
5. Formålsbestemt anvendelse	44-45
6. Tekniske data	45-46
7. Ibrugtagning	46-48
8. Vedligeholdelse og pleje	48
9. Renholdelse og reservedelsbestilling	48
10. Bortskaffelse og genbrug	49
11. Ikke omfattet af garantien	49
12. Overensstemmelseserklæring	50-51
13. Garantibevis	52

Genoptryk eller anden kopiering af dokumentation og følgedokumenter til produkter, også i uddrag, er kun tilladt med udtrykkelig tilladelse fra ISC GmbH.

Ret til tekniske ændringer forbeholdes

DK

Supplerende sikkerhedsanvisninger



ADVARSEL – Betjeningsvejledningen skal læses for at minimere risikoen for personskade



Brug høreværn

Støjudviklingen fra maskinen kan føre til nedsat hørelse.



Brug sikkerhedsbriller

Gnister, som opstår under arbejdet, eller splinter, spån og støv, som står ud fra maskinen, kan skade synet.



Må ikke bruges på stiger og stilladser.

1. Indledning

⚠️ **Vigtigt!**

Ved brug af denne type maskiner er der visse sikkerhedsforanstaltninger, der skal tages højde for for at undgå skader på personer og materiel. Læs derfor betjeningsvejledningen grundigt igennem. Opbevar betjeningsvejledningen et praktisk sted, så du altid har den lige ved hånden. Husk at lade betjeningsvejledningen følge med maskinen, hvis du overdrager den til andre! Vi fraskriver os ethvert ansvar for skader på personer eller materiel, der måtte opstå som følge af, at anvisningerne i denne betjeningsvejledning, navnlig vedrørende sikkerhed, ikke overholdes.

2. Sikkerhedsanvisninger

⚠️ **ADVARSEL**

Læs alle sikkerhedsanvisninger og øvrige anvisninger. Følges anvisningerne, navnlig sikkerhedsanvisningerne, ikke nøje som beskrevet, kan elektrisk stød, brand og/eller svære kvæstelser være følgen.

Alle sikkerhedsanvisninger og øvrige anvisninger skal opbevares.

Beskyt dig selv og dine omgivelser mod uheld ved hjælp af passende sikkerhedsforanstaltninger.

- Brug ikke hæftemaskinen til andre end de tilsigtede formål.
- Trykluftsværktøj skal sikres, så det ikke er til fare for børn.
- Vær altid udhvilet og koncentreret under arbejdet.
- Trykluftstilslutning må kun etableres via en hurtigkobler.
- Inddrivningsmaskiner må kun tilsluttes ledninger, hvor værktøjets maksimalt tilladte tryk ikke kan overskrides med mere end 10%. Ved højere tryk skal der indbygges en trykreguleringsventil (reduktionsventil) i trykluftsledningen med efterkoblet trykbegrænserventil.
- Indstilling af arbejdstryk skal foretages via en reduktionsventil.
- Trykluftsdrevne inddrivningsmaskiner skal altid kun arbejde med det tryk, der er nødvendigt for den pågældende arbejdsproces; herved undgås unødigt støj, slitage og heraf følgende driftsforstyrrelser.
- Brug ikke oxygen eller brændbare gasser som energikilde. Fare for brand og eksplosion.
- Maskinen skal kobles fra trykluftskilden før fejlafhjælpning og vedligeholdelsesarbejde.
- Brug kun originale reservedele. Vedligeholdelsesarbejder må kun udføres af personer, som er beføjede af producenten, eller af andre sagkyndige under iagttagelse af betjeningsvejledningens anvisninger.
- Alt arbejde med maskinen skal foregå iført det nødvendige beskyttelsestøj, især sikkerhedsbriller og -handsker.
- Det maksimale lufttryk på 8 bar må ikke overskrides
- Ret ikke maskinen mod personer, når den er tilsluttet og ladet.
- Beskyttelses-kontaktindretninger må ikke fjernes.
- Maskinen må ikke efterlades i driftsklar tilstand uden opsyn.
- Arbejd aldrig med en defekt maskine.
- Brug kun klammer/søm som angivet i de tekniske data.
- Maskinen skal være trykløs, når den er koblet fra.
- Brug aldrig maskinen uden klammer/søm.
- Ret aldrig en driftsklar inddrivningsmaskine ind mod dig selv eller mod andre.
- Under arbejdet skal inddrivningsmaskinen holdes således, at der ikke er fare for kvæstelse af hoved og krop i tilfælde af returslag som følge af forstyrrelser i energiforsyningen eller hårde steder i arbejdsemnet.
- Inddrivningsmaskinen må ikke udløses ud i det frie rum. De frit flyvende inddrivningsenheder vil udgøre en alvorlig fare, og maskinen vil blive overbelastet.
- Inddrivningsmaskinen skal kobles fra trykluftsnettet inden transport, navnlig hvis du benytter en stige eller bevæger dig med en abnorm kropsholdning.

DK

- På arbejdsstedet skal inddrivningsmaskinen bæres i hånden, uden aktiveret udløser.
- Tag hensyn til forholdene på arbejdsstedet. Inddrivningsenheder vil eventuelt kunne gennembyrde tynde arbejdsemner eller - ved arbejder på hjørner og kanter - glide af arbejdsemnerne med personskaade til følge.
- Brug egnede personlige værnemidler, som f.eks. høre- og øjenværn.
- Kontroller hver gang før ibrugtagning, at udløsesikringen fungerer, som den skal. Maskinen må ikke tages i brug, hvis mekanismen ikke fungerer korrekt.

Maskinen er ikke egnet til følgende arbejder:

- Hvor skifte fra det ene inddrivningssted til det næste foregår via stillads, trappe, stige eller stigelignende konstruktioner, som f.eks. taglægter
- Til lukning af kasser eller aflukker
- Til anbringelse af transportsikringer, f.eks. på køretøjer og vogne

Sikkerhedsanvisningerne skal opbevares, så du altid har dem ved hånden.

Tilbageværende risici

Selv om maskinen betjenes ifølge forskrifterne, vil der stadig være en vis risiko at tage højde for. Følgende farer kan opstå, alt efter maskinens type og konstruktionsmåde:

1. Fare for læsioner
2. Fare for at kvæste sig på inddrivningsenheder
3. Høreskader, hvis du ikke bærer høreværn.
4. Helbredsskader, som følge af hånd-arm-svingninger, såfremt maskinen ikke føres og vedligeholdes korrekt.

3. Oversigt over maskinen (fig. 1/8)

- A Aftrækker
- B Trykluftstilslutning
- C Magasinarm
- D Magasinafdækning
- E Magasin
- F Fyldindikator
- G Dybdeindstilling
- H Udløsesikring
- I Dækplade udvendigt
- J Dækplade indvendigt
- K Drejelig luftudleder

4. Leveringsomfang (fig. 2)

- L Sikkerhedsbriller
- M Trykluftsspecialolie
- N Unbrakonøgle 3 mm
- O Unbrakonøgle 4 mm

Ikke afbildet:

- 250 stk. søm, 15 mm, 25mm, 40mm, 50mm
- 250 stk. klammer 16 mm, 500 stk. 25 mm, 250 stk. 40 mm

5. Formålsbestemt anvendelse

Hæftemaskinen er et tryklufdsdrevet værktøj til mange forskellige anvendelser.

Maskinen benyttes til inddrivning af dykkersøm og klammer i træ og lignende materialer. Kun de søm og klammer, som fremgår af punktet „Tekniske data“, eller som er afbildet på skiltet på magasinet, må benyttes. Andre inddrivningsenheder må ikke anvendes. Ligeledes må anvendelse på hårde materialer, såsom sten, metal osv., ikke finde sted.

Maskinen må udelukkende anvendes i overensstemmelse med det tiltænkte formål. Enhver anden form for anvendelse er ikke tilladt. Vi fraskriver os ethvert ansvar for skader, det være sig på personer eller materiel, der

måtte opstå som følge af, at maskinen ikke er blevet anvendt korrekt. Ansvaret bæres alene af brugeren/ejeren.

Bemærk, at vore produkter ikke er konstrueret til erhvervsmæssig, håndværksmæssig eller industriel brug. Vi fraskriver os ethvert ansvar, såfremt maskinen anvendes i erhvervsmæssigt, håndværksmæssigt, industrielt eller lignende øjemed.

Reparationer og servicearbejde må kun udføres af autoriserede værksteder.

Bemærk!

Er slangens indvendige diameter for lille og slangedelingen for lang, vil dette nedsætte maskinens ydeevne.

6. Tekniske data

Maks. tilladt arbejdstryk	8 bar
Anbefalet trykområde	4-7,5 bar
Lufforbrug	ca. 0,11 l/skud
Klammebredde	5,7 mm
Klammelængde	13 - 40 mm
Sømlængde	10 - 50 mm
Anbefalet slangediameter	Ø 9 mm
Vægt	ca. 1,3 kg
Lydtryksniveau L_{pA}	85,5 dB (A)
Lydeffektniveau L_{WA}	98,8 dB (A)
Lydtryksniveau L_{pC}	113,6 dB (A)
Vibration a_w	$\leq 2,5 \text{ m/s}^2$
Usikkerhed K	27,93 %

Disse værdier for støjemission er maskinrelaterede specifikationer og angiver ikke den faktiske støj udvikling på anvendelsesstedet. Støj udviklingen på anvendelsesstedet afhænger f.eks. af arbejdsstedets omgivelser, arbejdsemnet, emnestøtten og inddrivningsfrekvensen. Den angivne værdi for vibration er en maskinrelateret specifikation og siger ikke

noget om den faktiske indvirkning på hånd-arm-systemet ved anvendelse af maskinen. Indvirkningen på hånd-arm-systemet ved anvendelse af maskinen afhænger f.eks. af holdekræften, pressekræften, arbejdsretningen, det indstillede lufttryk, arbejdsemnet, emnestøtten.

Støj udvikling og vibration skal begrænses til et minimum!

- Brug kun intakte og ubeskadigede maskiner.
- Vedligehold og rengør maskinen med jævne mellemrum.
- Tilpas arbejdsmåden efter maskinen.
- Overbelast ikke maskinen.
- Lad i givet fald maskinen underkaste et eftersyn.
- Sluk maskinen, når den ikke benyttes.
- Bær handsker.

Trykluftskvalitet:

Renset og olieforstøvet.

Lufforsyning:

Tilsluttes en trykluftskilde via en serviceunit med filterreduktionsventil og oliesmøreanordning.

Kompressorens anbefalede effektvolumen:

Kompressor med ca. 250 l/min, hvilket svarer til en motoreffekt på ca. 2,2 kW

Bemærk:

Alt arbejde med maskinen skal foregå iført det nødvendige beskyttelsestøj, især sikkerhedsbriller

Følg sikkerhedsbestemmelserne.

DK**6.1 Sikkerhedsbriller (SF026)**

Sikkerhedsbrillerne (fig. 2/pos. L) beskytter øjnene mod små dele med høj hastighed og er et personligt værnemiddel mod kvæstelse.

For at opnå en optimal beskyttelsesvirkning skal sikkerhedsbrillernes pasform tilpasses ved at forlænge eller forkorte brillestangen.

Indstilling af briller: Længden på brillestangen tilpasses ved at forskyde stangen i fikseringsmekanismen.

Identifikationsnummer, navn og adresse på prøvningsinstans

N.B. 0196

Gesellschaft für Konformitätsbewertung mbH

Alboinstrasse 56

D-12103 Berlin

Forklaring på symboler på sikkerhedsbrillerne

1: Optisk klasse

F: Mekanisk styrke (45 m/s)

166: Nummer på standard (EN 166)

Rengøring

Rengør jævnlige brillerne med lunkent vand og lidt blød sæbe. Undgå brug af rengørings- eller opløsningsmiddel, da det vil kunne ødelægge kunststofferne.

Opbevaring

Sikkerhedsbrillerne må ikke opbevares i ekstremt varme omgivelser og ikke under påvirkning fra UV-stråler. Dette vil kunne forkorte kunststoffernes levetid. Brillerne skal opbevares på et mørkt, køligt sted, når de ikke benyttes.

Brugsvarighed

Hvis brilleglassene bliver ridsede eller beskadigede, eller hvis stellet beskadiges, skal sikkerhedsbrillerne erstattes med nye.

Transport

Sikkerhedsbrillerne kan medbringes i transportkufferten.

Advarsler

Brug af korrektionsbriller inde under sikkerhedsbrillerne indebærer en risiko for personskade ved overføring af stødpåvirkninger forårsaget af partikler med høj hastighed.

Materialer, som kommer i berøring med brugerens hud, kan ved visse personer udløse allergier.

Arbejd ikke med sikkerhedsbriller, hvor brilleglasset er ridset eller beskadiget.

7. Ibrugtagning

- Afprøv hver gang, før arbejdet påbegyndes, at udløsesikringen fungerer, som den skal, samt at alle skruer og møtrikker sidder fast.
- Det er ikke tilladt at foretag manipulerende indgreb i inddrivningsmaskinen.
- Dele af inddrivningsmaskinen, f.eks. en udløsesikring, må ikke afmonteres eller blokeres.
- Foretag ikke "nødudbedringer" med uegnede midler.
- Inddrivningsmaskinen skal vedligeholdes jævnlige og fagmæssigt korrekt efter producentens anvisninger.
- Undgå enhver form for svækkelse og beskadigelse af maskinen, f.eks. ved
 - a) ituslåning eller indgravering
 - b) ændringer på maskinen uden producentens samtykke
 - c) føring på skabeloner, som er fremstillet af hårdt materiale, f.eks. stål
 - d) skubning hen over gulvet
 - e) brug som hammer
 - f) enhver form for voldsanvendelse.

7.1 Kontrol af udløsesikring

Afprøv udløsesikringen (fig. 1/pos. H) hver gang før brug af maskinen. Udløsesikringen skal bevæge sig frit uden at hakke.

Udløsesikringens fjeder skal bringe udløsesikringen tilbage til den frikoblede udgangsposition. Brug aldrig maskinen, hvis udløsesikringen ikke fungerer.

1. Kobl maskinen fra lufttilførslen.
2. Fjern inddrivningsmidlet fra magasinet (fig. 1/pos. E).
3. Kontroller nu, at udløseren og udløsesikringen kan bevæges frit op og ned.
4. Forbind maskinen med lufttilførslen.
5. Pres udløsesikringen imod arbejdsemnet uden at trykke på udløseren. Maskinen må ikke arbejde. Anvend ikke maskinen, når den arbejder, uden at udløseren trykkes ind. Fare for kvæstelse!
6. Tag maskinen væk fra arbejdsemnet. Udløsesikringen skal vende tilbage til den frikoblede udgangsposition. Tryk på udløseren. Maskinen må ikke arbejde. Anvend ikke maskinen, når den arbejder. Fare for kvæstelse!
7. Aktiver udløseren, og pres udløsesikringen imod arbejdsemnet. Maskinen arbejder.
8. Tryk udløsesikringen imod arbejdsemnet, og aktiver udløseren – maskinen arbejder.

7.2 Ladning med klammer og søm

- Når magasinet (fig. 1/pos. E) skal fyldes op, holdes maskinen sådan, at munden hverken peger mod din egen krop eller mod andre personer.
- For at fylde magasinet trykker du på magasinarmen (fig. 1 / pos. C) og trækker magasinets afdækning (fig.1 / pos. D) bagud, indtil anslag nås.
- Indsæt klammer jf. (fig. 3) eller søm jf. (fig. 4).
- Indsæt ikke mere end en hel klammerstang/sømostang, da magasinet vil blive overfyldt og ikke kan lukkes. Skub nu magasinafdækningen frem igen, så den går i indgreb.
- Fyldindikatoren (fig. 5 / pos. F) angiver antallet af klammer/søm, når der er færre end 50 stk.

7.3 Betjening/Arbejdstryk

- Slut trykluft-hæfte-/sømmaskinen til trykluftstilslutningen (fig.1 / pos. B).
- Indstil den drejelige luftudleder (fig.1 / pos. K) som ønsket.
- Tænd for kompressoren, inden hæftemaskinen tages i brug, og indstil arbejdstrykket på reduktionsventilen til 4 bar.
- Fingerskruen til finindstilling (fig. 6 / pos. G) skal befinde sig omtrent i midterstilling mellem pos. 1 og 2. Til det skrues du fingerskruen tre omgange op, gående ud fra position 1.
- Ved indstilling af arbejdstrykket er det hensigtsmæssigt at anvende et prøveemne, som har samme struktur og materialetykkelse som arbejdsemnet.
- Sæt nu trykluft-hæfte-/sømmaskinen ind på arbejdsemnet for at foretage hæftning/sømning, og tryk en gang på aftrækkeren (fig. 1 / pos. A), og slip den igen efter hvert skud.
- Er sømmet eller klammen drevet for langt ind, reduceres arbejdstrykket med 0,5 bar på reduktionsventilen.
- Er sømmet eller klammen ikke drevet langt nok ind, øges arbejdstrykket med 0,5 bar på reduktionsventilen.
- Nu sættes hæfte-/sømmaskinen ind mod prøveemnet igen og udløses.
- Alt efter resultatet ændrer du arbejdstrykket opad eller nedad i trin à 0,5 bar, indtil inddrivningsdybden nogenlunde passer. Finindstilling (afs. 7.4) udføres ved hjælp af fingerskruen.
- Denne maskine kan også anvendes med automatisk modus. Hvis du holder aftrækkeren trykket ind, indskydes klammer/søm automatisk, når trykluft-hæfte-/sømmaskinen sættes ind på arbejdsemnet.
- Pas på, at indskydning ikke sker to gange på samme sted.

Vigtigt:

Hvis en klamme eller et søm skulle blive siddende i skakten, skal maskinen omgående gøres trykløs (tag trykluftstilledningen ud), og magasinskakten åbnes; først da aftages dækpladerne (fig. 8 / pos. I/J) ved at løsne skrueerne med de medfølgende unbrakonøgler

DK

(fig. 2 / pos. N) (fig. 7 / 8). Tag nu de fastklemte klammer ud, rens eventuelt skakten, og luk så til igen i omvendt rækkefølge.

7.4 Finindstilling

- Maskinen er udstyret med en dybdeindstilling (fig. 6 / pos. G) i form af en fingerskrue.
- Drejes denne nedad (fig. 6 / pos. 1), skydes klammerne/sømmene længere ind i emnet.
- Hvis klammerne/sømmene ikke skal skydes så langt ind, skal fingerskruen drejes opad (fig. 6 / pos. 2).

Vigtigt: For at undgå utilsigtet udløsning må dybdeindstillingen ikke trækkes bagud med hånden under normal drift.

8. Vedligeholdelse og pleje

Vigtigt: Kobl maskinen fra tryklufnsnettet, inden vedligeholdelse og rengøring påbegyndes.

Hvis de her anførte vedligeholdelsesinstruktioner overholdes, vil du kunne få glæde af dette kvalitetsprodukt i lang tid fremover.

Tjek hver gang, før arbejdet påbegyndes, at magasinet sidder fast (fig. 1/pos. E). Rengør maskinen grundigt umiddelbart efter arbejdsophør.

Regelmæssig smøring af maskinen er en forudsætning for en fejlfri, konstant funktion. Brug udelukkende den medfølgende olie (fig. 2/pos. M).

Der findes to former for smøring:

8.1 Oliesmøreanordning

En komplet serviceunit indbefatter en forstøvende smøreanordning placeret på kompressoren.

8.2 Manuel

Hvis dit anlæg hverken besidder en serviceunit eller en ledningssmører, skal der dryppes 3-5 dråber olie i trykluftstilslutningen, hver gang før trykluftsværktøjet tages i brug. Har trykluftsværktøjet være ude af drift i flere dage, skal der dryppes 5-10 dråber olie i trykluftstilslutningen, inden du tænder.

Trykluftsværktøjet skal opbevares i et tørt rum.

8.3 Øvrig vedligeholdelse

Der findes ikke yderligere vedligeholdelseskrævende dele inde i maskinen.

9. Renholdelse og reservedelsbestilling

Vigtigt: Kobl maskinen fra tryklufnsnettet, inden vedligeholdelse og rengøring påbegyndes.

9.1 Renholdelse

- Hold så vidt muligt udløsesikringen (fig. 1/pos. H) fri for støv og snavs. Tør maskinen af med en ren klud, eller foretag trykluftsudblæsning under lavt tryk.
- Vi anbefaler, at maskinen rengøres hver gang efter brug.
- Rengør af og til maskinen med en fugtig klud og lidt blød sæbe. Undgå brug af rengørings- og opløsningsmidler, da det vil kunne beskadige kunststofdelene. Sørg for, at der ikke kan trænge vand ind i de indvendige dele.

9.2 Reservedelsbestilling

Ved bestilling af reservedele skal følgende oplyses:

- Maskinens typebetegnelse
- Maskinens varenummer
- Maskinens identifikationsnummer

Aktuelle priser og øvrig information findes på internetadressen www.isc-gmbh.info

10. Bortskaffelse og genbrug

Maskinen leveres indpakket for at undgå transportskader. Emballagen består af råmaterialer og kan genanvendes eller indleveres på genbrugsstation. Maskinen og dens tilbehør består af forskelligartede materialer, f.eks. metal og plast. Defekte komponenter må ikke smides ud som almindeligt husholdningsaffald, men skal kasseres ifølge miljøforskrifterne. Hvis du er i tvivl: Spørg din forhandler, eller forhør dig hos din kommune!

11. Følgende er ikke omfattet af garantien:

- Sliddele
- Skader som følge af forkert arbejdsstryk.
- Skader som følge af urensset trykluft.
- Skader som følge af usagkyndig brug eller uautoriseret indgreb i maskinen.

DK

12. Overensstemmelseserklæring

Einhell Germany AG · Wiesenweg 22 · D-94405 Landau/Isar



Konformitätserklärung

- erklært følgende Konformität gemäß EU-Richtlinie und Normen für Artikel
 explains the following conformity according to EU directives and norms for the following product
 déclare la conformité suivante selon la directive CE et les normes concernant l'article
 dichiara la seguente conformità secondo la direttiva UE e le norme per l'articolo
 verklaart de volgende overeenstemming conform EU richtlijn en normen voor het product
 declara la siguiente conformidad a tenor de la directiva y normas de la UE para el artículo
 declara a seguinte conformidade, de acordo com a directiva CE e normas para o artigo
 atterer følgende overensstemmelse i medfør af EU-direktiv samt standarder for artikel
 förklarar följande överensstämmelse enl. EU-direktiv och standarder för artikeln
 vakuuttaa, että tuote täyttää EU-direktiivin ja standardien vaatimukset
 tõendab toote vastavust EL direktiivile ja standarditele
 vydává následující prohlášení o shodě podle směrnice EU a norem pro výrobek
 potrjuje sledečo skladnost s smernico EU in standardi za izdelek
 vydáva nasledujúce prehlásenie o zhode podľa smernice EÚ a noriem pre výrobok
 a cikkekez az EU-irányvonal és Normák szerint a következő konformitást jelenti ki
 deklaruje zgodność wymienionego poniżej artykułu z następującymi normami na podstawie dyrektywy WE.
 декларира съответното съответствие съгласно Директива на ЕС и норми за артикул
 paskaidro šādu atbilstību ES direktīvai un standartiem
 apibūdina šj atitikimą EU reikalavimams ir prekės normoms
 declară următoarea conformitate conform directivei UE și normelor pentru articolul
 δηλώνει την ακόλουθη συμμόρφωση σύμφωνα με την Οδηγία ΕΚ και τα πρότυπα για το προϊόν
 potvrđuje sljedeću usklađenost prema smjernicama EU i normama za artikl
 Izjava o sukladnosti za ovaj proizvod dostupna je na internet stranici www.lidl.hr.
 potvrđuje sljedeću usklađenost prema smjernicama EU i normama za artikl
 potvrđuje sledeću usklađenost prema smernicama EZ i normama za artikal
 следующим удостоверяется, что следующие продукты соответствуют директивам и нормам ЕС
 проголошує про зазначену нижче відповідність виробу директивам та стандартам ЄС на виріб
 Ürünü ile ilgili AB direktifleri ve normları gereğince aşağıda açıklanan uygunluğu belirtir
 erklærer følgende samsvar i henhold til EU-direktivet og standarder for artikkel
 Lýsir uppfyllingu EU-reglna og annarra staða vöru

Druckluft-Tacker/Nagler PDT 40 A1 (Parkside)

- 87/404/EC_2009/105/EC
 2005/32/EC_2009/125/EC
 2006/95/EC
 2006/28/EC
 2004/108/EC
 2004/22/EC
 1999/5/EC
 97/23/EC
 90/396/EC_2009/142/EC
 89/686/EC_96/58/EC
- 2006/42/EC
 Annex IV
 Notified Body:
 Notified Body No.:
 Reg. No.:
- 2000/14/EC_2005/88/EC
 Annex V
 Annex VI
 Noise: measured L_{WA} = dB (A); guaranteed L_{WA} = dB (A)
 P = KW; LØ = cm
 Notified Body:
- 2004/26/EC
 Emission No.:

Standard references: EN 792-13

Landau/Isar, den 31.01.2011

Weichselgartner/General Manager

Wang/Product-Management

First CE: 10
 Art.-No.: 41.377.62 I.-No.: 11021
 Subject to change without notice

Archive-File/Record: NAPR003575
 Documents registrar: Siegfried Roider
 Wiesenweg 22, D-94405 Landau/Isar

12. Overensstemmelseserklæring

Einhell Germany AG · Wiesenweg 22 · D-94405 Landau/Isar



Konformitätserklärung

- erklært følgende Konformität gemäß EU-Richtlinie und Normen für Artikel
 explains the following conformity according to EU directives and norms for the following product
 déclare la conformité suivante selon la directive CE et les normes concernant l'article
 dichiara la seguente conformità secondo la direttiva UE e le norme per l'articolo
 verklaart de volgende overeenstemming conform EU richtlijn en normen voor het product
 declara la siguiente conformidad a tenor de la directiva y normas de la UE para el artículo
 declara a seguinte conformidade, de acordo com a directiva CE e normas para o artigo
 attesterer følgende overensstemmelse i medfør af EU-direktiv samt standarder for artikel
 förklarar följande överensstämmelse enl. EU-direktiv och standarder för artikeln
 vakuuttaa, että tuote täyttää EU-direktiivin ja standardien vaatimukset
 tõendab toote vastavust EL direktiivile ja standarditele
 vydává následující prohlášení o shodě podle směrnice EU a norem pro výrobek
 potrjuje sledečo skladnost s smernico EU in standardi za izdelek
 vydáva nasledujúce prehlásenie o zhode podľa smernice EÚ a noriem pre výrobok
 a cikkekez az EU-irányvonal és Normák szerint a következő konformitást jelenti ki
 deklaruje zgodność wymienionego poniżej artykułu z następującymi normami na podstawie dyrektywy WE.
 декларира съответното съответствие съгласно Директива на ЕС и норми за артикул
 paskaidro šādu atbilstību ES direktīvai un standartiem
 arībūdina šj atitikimą EU reikalavimams ir prekės normoms
 declară următoarea conformitate conform directivei UE și normelor pentru articolul
 δηλώνει την ακόλουθη συμμόρφωση σύμφωνα με την Οδηγία ΕΚ και τα πρότυπα για το προϊόν
 potvrđuje sljedeću usklađenost prema smjernicama EU i normama za artikl
 Izjava o sukladnosti za ovaj proizvod dostupna je na internet stranici www.lidl.hr.
 potvrđuje sljedeću usklađenost prema smjernicama EU i normama za artikl
 potvrđuje sledeću usklađenost prema smernicama EZ i normama za artikal
 следующим удостоверяется, что следующие продукты соответствуют директивам и нормам ЕС
 проголошує про зазначену нижче відповідність виробу директивам та стандартам ЄС на виріб
 Ürünü ile ilgili AB direktifleri ve normları gereğince aşağıda açıklanan uygunluğu belirtir
 erklærer følgende samsvar i henhold til EU-direktivet og standarder for artikkel
 Lýsir uppfyllingu EU-reglna og annarra staða vöru

Schutzbrille SF 026

- 87/404/EC_2009/105/EC
 2005/32/EC_2009/125/EC
 2006/95/EC
 2006/28/EC
 2004/108/EC
 2004/22/EC
 1999/5/EC
 97/23/EC
 90/396/EC_2009/142/EC
 89/686/EC_96/58/EC
- 2006/42/EC
 Annex IV
 Notified Body:
 Notified Body No.:
 Reg. No.:
- 2000/14/EC_2005/88/EC
 Annex V
 Annex VI
 Noise: measured L_{WA} = dB (A); guaranteed L_{WA} = dB (A)
 P = KW; LØ = cm
 Notified Body:
- 2004/26/EC
 Emission No.:

Standard references: EN 166

Landau/Isar, den 31.01.2011

Weichselgartner/General Manager

Wang/Product-Management

First CE: 10
 Art.-No.: 41.377.62 I.-No.: 11021
 Subject to change without notice

Archive-File/Record: NAPR003575
 Documents registrar: Siegfried Roider
 Wiesenweg 22, D-94405 Landau/Isar

13. GARANTIBEVIS

Kære kunde!

Vore produkter er underlagt streng kvalitetskontrol. Hvis produktet alligevel på et tidspunkt skulle udvise fejl, beklager vi naturligvis dette og beder dig kontakte vores kundeservice på adressen, som står angivet på dette garantibevis. Du kan naturligvis også ringe til os på det nedenfor angivne servicenummer. For indfrielse af garantikrav gælder følgende:

1. Nærværende garanti fastsætter betingelserne for udvidede garantiydelser. Garantibestemmelser fastsat ved lov berøres ikke af nærværende garanti. Vores garantiydelser er gratis.
2. Garantiydelserne omfatter udelukkende mangler, som kan føres tilbage til materiale- eller produktionsfejl, og begrænser sig til afhjælpning af disse resp. levering af erstatningsprodukt. Bemærk, at vore produkter ikke er konstrueret til erhvervsmæssig, håndværksmæssig eller industriel brug. Garantiaftale kan derfor ikke anses for indgået, såfremt produktet anvendes i erhvervsmæssigt, håndværksmæssigt, industrielt eller lignende øjemed. Endvidere dækker garantien ikke erstatningsydelser for transportskader, skader som følge af tilsidesættelse af montagevejledningens anvisninger eller som følge af usagkyndig installation, tilsidesættelse af brugsanvisningen (f.eks. tilslutning til forkert netspænding eller strømtype), misbrug eller usagkyndig anvendelse (f.eks. overbelastning eller brug af værktøj eller tilbehør, som ikke er godkendt), tilsidesættelse af vedligeholdelses- og sikkerhedsforskrifter, indtrængen af fremmedlegemer i apparatet (f.eks. sand, sten eller støv), brug af vold eller eksterne påvirkninger udefra (f.eks. fordi produktet tabes) samt skader, der hidrører fra almindelig slitage. Dette gælder især batterier, som vi dog alligevel yder 12 måneders garanti på

Garantien mister sin gyldighed, hvis der allerede er blevet foretaget indgreb i apparatet.
3. Garantiperioden udgør 3 år at regne fra købsdatoen. Garantikrav skal gøres gældende inden for to uger, efter at defekten er blevet konstateret. Garantikrav kan ikke gøres gældende efter garantiperiodens udløb. Reparation eller udskiftning af apparatet medfører ikke forlængelse af garantiperioden, heller ikke for eventuelt indbyggede reservedele. Dette gælder også servicearbejder, der foretages på stedet.
4. For at kunne gøre garantikrav gældende skal du sende det defekte produkt portofrit til nedenstående adresse. Original købskvittering eller lignende dateret dokumentation skal vedsendes. Købskvitteringen skal gemmes som dokumentation! Beskriv venligst så nøjagtigt som muligt grunden til din reklamation. Er defekten omfattet af garantien, vil produktet omgående blive repareret og returneret, eller du vil modtage et helt nyt.

Mod betaling udbedrer vi naturligvis også gerne defekter på produktet, som ikke/ikke længere er omfattet af garantien. Du skal blot indsende produktet til vores serviceadresse.

Einhell Skandinavien
Bergsoesvej 36
DK-8600 Silkeborg
Tel. 087 201200 · Fax 087 201203

Inhaltsverzeichnis	Seite
1. Einleitung	55
2. Sicherheitshinweise	55-56
3. Gerätebeschreibung	56
4. Lieferumfang	56
5. Bestimmungsgemäße Verwendung	56-57
6. Technische Daten	57-58
7. Inbetriebnahme	58-60
8. Wartung und Pflege	60
9. Reinigung und Ersatzteilbestellung	60-61
10. Entsorgung und Wiederverwertung	61
11. Von der Garantie ausgeschlossen	61
12. Konformitätserklärung	62-63
13. Garantieurkunde	64

Der Nachdruck oder sonstige Vervielfältigung von Dokumentation und Begleitpapieren der Produkte, auch auszugsweise, ist nur mit ausdrücklicher Zustimmung der ISC GmbH zulässig.

Technische Änderungen vorbehalten

DE/AT/
CH

Zusätzliche Sicherheitshinweise



WARNUNG - Zur Verringerung des Verletzungsrisikos Bedienungsanleitung lesen



Tragen Sie einen Gehörschutz.

Die Einwirkung von Lärm kann Hörverlust bewirken.



Tragen Sie eine Schutzbrille.

Während der Arbeit entstehende Funken oder aus dem Gerät heraustretende Splitter, Späne und Stäube können Sichtverlust bewirken.



Nicht auf Gerüsten oder Leitern benutzen.

1. Einleitung

⚠ Achtung!

Beim Benutzen von Geräten müssen einige Sicherheitsvorkehrungen eingehalten werden, um Verletzungen und Schäden zu verhindern. Lesen Sie diese Bedienungsanleitung deshalb sorgfältig durch. Bewahren Sie diese gut auf, damit Ihnen die Informationen jederzeit zur Verfügung stehen. Falls Sie das Gerät an andere Personen übergeben sollten, händigen Sie diese Bedienungsanleitung bitte mit aus. Wir übernehmen keine Haftung für Unfälle oder Schäden, die durch Nichtbeachten dieser Anleitung und den Sicherheitshinweisen entstehen.

2. Sicherheitshinweise

⚠ WARNUNG

Lesen Sie alle Sicherheitshinweise und Anweisungen. Versäumnisse bei der Einhaltung der Sicherheitshinweise und Anweisungen können elektrischen Schlag, Brand und/oder schwere Verletzungen zur Folge haben.

Bewahren Sie alle Sicherheitshinweise und Anweisungen für die Zukunft auf.

Schützen Sie sich und Ihre Umwelt durch geeignete Vorsichtsmaßnahmen vor Unfallgefahren.

- Tacker nicht zweckentfremden.
- Druckluftwerkzeuge vor Kindern sichern.
- Nur ausgeruht und konzentriert zu Werke gehen.
- Druckluftanschluss nur über eine Schnellverschlusskupplung ausführen.
- Eintreibgeräte dürfen nur an Leitungen angeschlossen werden, bei denen der maximal zulässige Druck des Gerätes um nicht mehr als 10% überschritten werden kann. Bei höheren Drücken muss ein Druckregelventil (Druckminderer) mit nachgeschaltetem Druckbegrenzungsventil in die Druckluftleitung eingebaut werden.

- Arbeitsdruckeinstellung muss über einen Druckminderer erfolgen.
- Betreiben Sie druckluftbetriebene Eintreibgeräte nur mit dem für den jeweiligen Arbeitsgang erforderlichen Druck, um unnötig hohe Geräuschpegel, erhöhten Verschleiß und dadurch entstehende Störungen zu vermeiden.
- Als Energiequelle keinen Sauerstoff oder brennbare Gase verwenden. Es besteht Feuer- und Explosionsgefahr.
- Vor Störungsbeseitigung und Wartungsarbeiten Gerät von der Druckluftquelle trennen.
- Nur Original-Ersatzteile verwenden. Instandsetzungsarbeiten dürfen nur durch vom Hersteller Beauftragte oder durch andere Sachkundige unter Beachtung der in der Betriebsanleitung enthaltenen Angaben durchgeführt werden.
- Tragen Sie beim Arbeiten mit dem Tacker die erforderliche Schutzkleidung, insbesondere Schutzbrille und Schutzhandschuhe.
- Höchstluftdruck 8 bar nicht überschreiten
- Den angeschlossenen und geladenen Nagler nicht auf Personen richten.
- Keine Schutz-Kontaktvorrichtungen entfernen.
- Geladenes Gerät nicht unbeaufsichtigt lassen.
- Keine defekten Geräte verwenden.
- Nur Klammern/Nägel wie in den technischen Daten angegeben verwenden.
- Gerät muss nach dem Abkoppeln drucklos sein.
- Gerät nie ohne Klammern/Nägel benutzen.
- Richten Sie ein betriebsbereites Eintreibgerät niemals direkt gegen sich selbst oder auf andere Personen.
- Halten Sie das Eintreibgerät beim Arbeiten so, dass Kopf und Körper bei einem möglichen Rückstoß infolge einer Störung der Energieversorgung oder von harten Stellen im Werkstück nicht verletzt werden können.
- Lösen Sie das Eintreibgerät niemals in den freien Raum aus. Sie vermeiden dadurch Gefährdung durch freifliegende Eintreibgegenstände und

DE/AT/
CH

- Überbeanspruchung des Gerätes.
- Zum Transportieren ist das Eintreibgerät vom Druckluftnetz zu trennen, insbesondere wenn Sie Leitern benutzen oder sich in ungewohnter Körperhaltung bewegen.
 - Tragen Sie am Arbeitsplatz das Eintreibgerät nur am Griff und mit nicht betätigtem Auslöser.
 - Achten Sie auf die Arbeitsplatzverhältnisse. Eintreibgegenstände können eventuell dünne Werkstücke durchschlagen oder beim Arbeiten an Ecken und Kanten von Werkstücken abgleiten und dabei Personen gefährden.
 - Verwenden Sie für Ihren persönlichen Schutz geeignete Körperschutzmittel, wie z.B. Gehör- und Augenschutz.
 - Vor jeder Inbetriebnahme ist die ordnungsgemäße Funktion der Auslösesicherung zu Prüfen. Das Gerät darf nur in Betrieb genommen werden, wenn die Vorrichtung einwandfrei funktioniert.

Das Gerät ist nicht geeignet für folgende Arbeiten:

- Wenn das Wechseln von einer Eintreibstelle zur anderen über Gerüste, Treppen, Leitern oder leiterähnlichen Konstruktionen, wie z.B. Dachlattungen, erfolgt.
- Das Schließen von Kisten oder Verschlagen.
- Beim Anbringen von Transportsicherungen z.B. auf Fahrzeugen und Waggons.

Bewahren Sie die Sicherheitshinweise gut auf.

Restrisiken

Auch wenn Sie dieses Werkzeug vorschriftsmäßig bedienen, bleiben immer Restrisiken bestehen. Folgende Gefahren können im Zusammenhang mit der Bauweise und Ausführung dieses Elektrowerkzeugs auftreten:

1. Quetschgefahr
2. Verletzungsgefahr durch Eintreibgegenstände
3. Gehörschäden, falls kein geeigneter Gehörschutz getragen wird.

4. Gesundheitsschäden, die aus Hand-Arm-Schwingungen resultieren, falls das Gerät nicht ordnungsgemäß geführt und gewartet wird.

3. Gerätebeschreibung (Abb.1/8)

- A Abzugshebel
- B Druckluftanschluss
- C Magazinhebel
- D Magazinabdeckung
- E Magazin
- F Füllstandsanzeige
- G Tiefeneinstellung
- H Auslösesicherung
- I Abdeckplatte außen
- J Abdeckplatte innen
- K Drehbarer Luftablass

4. Lieferumfang (Abb.2)

- L Schutzbrille
- M Druckluftspezialöl
- N Inbusschlüssel 3 mm
- O Inbusschlüssel 4 mm

ohne Abbildung:

- je 250 Stück Nägel, 15 mm, 25mm, 40mm, 50mm
- je 250 Stück Klammern 16 mm, 500 Stück 25 mm, 250 Stück 40 mm

5. Bestimmungsgemäße Verwendung

Der Tacker ist ein druckluftbetriebenes Werkzeug für den vielseitigen Einsatz.

Dieses Gerät dient zum Eintreiben von Versenknägeln und Klammern in Holz und ähnlichen Materialien. Es dürfen nur die Nägel bzw. Klammern verwendet werden, die unter dem Punkt "Technische Daten" erklärt sind bzw. auf dem Hinweisschild am Magazin abgebildet sind. Andere Eintreibgegenstände dürfen nicht

verwendet werden. Ebenso ist eine Verwendung auf harten Werkstoffen wie Stein, Metall usw. nicht zulässig.

Das Gerät darf nur nach seiner Bestimmung verwendet werden. Jede weitere, darüber hinausgehende Verwendung ist nicht bestimmungsgemäß. Für daraus hervorgerufene Schäden oder Verletzungen aller Art haftet der Benutzer/Bediener und nicht der Hersteller.

Bitte beachten Sie, dass unsere Geräte bestimmungsgemäß nicht für den gewerblichen, handwerklichen oder industriellen Einsatz konstruiert wurden. Wir übernehmen keine Gewährleistung, wenn das Gerät in Gewerbe-, Handwerks- oder Industriebetrieben, sowie bei gleichzusetzenden Tätigkeiten eingesetzt wird.

Reparaturen und Service nur von autorisierten Fachwerkstätten ausführen lassen.

Beachten Sie!

Zu geringe Schlauch-Innendurchmesser und zu lange Schlauchleitung führen zu Leistungsverlust am Gerät.

6. Technische Daten

max. zulässiger Arbeitsdruck	8 bar
empfohlener Druckbereich	4-7,5 bar
Luftverbrauch	ca. 0,11 l/Schuss
Klammer Breite	5,7 mm
Klammer Länge	13 - 40 mm
Nagellänge	10 - 50 mm
empfohlener Schlauchdurchmesser	Ø 9 mm
Gewicht	ca. 1,3 kg
Schalldruckpegel L_{pA}	85,5 dB(A)
Schalleistungspegel L_{WA}	98,8 dB(A)
Schalldruckpegel L_{pC}	113,6 dB (A)
Vibration a_w	$\leq 2,5 \text{ m/s}^2$
Unsicherheit K	27,93 %

Diese Werte der Geräuschemission sind gerätebezogene Kennwerte und geben nicht die Geräusentwicklung am Verwendungsort wieder. Die Geräusentwicklung am Verwendungsort hängt z. B. von der Arbeitsumgebung, dem Werkstück, der Werkstückauflage und der Zahl der Eintreibvorgänge ab.

Der angegebene Wert der Vibration ist ein gerätebezogener Kennwert und stellt nicht die Einwirkung auf das Hand-Arm-System bei der Anwendung des Gerätes dar. Eine Einwirkung auf das Hand-Arm-System bei der Anwendung des Gerätes hängt z. B. von der Greifkraft, der Anpresskraft, der Arbeitsrichtung, dem eingestellten Luftdruck, dem Werkstück, der Werkstückauflage ab.

Beschränken Sie die Geräusentwicklung und Vibration auf ein Minimum!

- Verwenden Sie nur einwandfreie Geräte.
- Warten und Reinigen Sie das Gerät regelmäßig.
- Passen Sie Ihre Arbeitsweise dem Gerät an.
- Überlasten Sie das Gerät nicht.
- Lassen Sie das Gerät gegebenenfalls überprüfen.
- Schalten Sie das Gerät aus, wenn es nicht benutzt wird.
- Tragen Sie Handschuhe.

Druckluftqualität:

Gereinigt und ölvernebelt.

Luftversorgung:

Über eine Wartungseinheit mit Filterdruckminderer und Nebelöler an eine Druckluftquelle anschließen.

Empfohlene Leistungsgröße des

Kompressors:

Kompressor mit ca. 250 l/min, das entspricht einer Motorleistung von ca. 2,2 kW

Beachten Sie:

Tragen Sie beim Arbeiten mit dem Tacker die erforderliche Schutzkleidung, insbesondere Schutzbrille.

DE/AT/
CH**Beachten Sie die Sicherheitsbestimmungen.****6.1 Schutzbrille (SF026)**

Die Schutzbrille (Abb. 2/Pos. L) ist zum Schutz der Augen, gegen kleine Teile mit hoher Geschwindigkeit und soll den Benutzer vor Verletzungen schützen.

Um eine optimale Schutzwirkung zu erzielen, muss die Passform der Schutzbrille durch Verlängern oder Verkürzen der Bügel angepasst werden.

Einstellen der Brille: Durch Verschieben der Bügel in der Arretierung wird die Bügellänge angepasst.

Kenn-Nummer, Name und Adresse der Prüfstelle

N.B. 0196

Gesellschaft für Konformitätsbewertung mbH
Alboinstrasse 56
12103 Berlin

Erklärung der Symbole auf der Schutzbrille

1: optische Klasse

F: mechanische Festigkeit (45 m/s)

166: Nummer der Norm (EN 166)

Reinigung

Reinigen Sie die Brille regelmäßig mit lauwarmen Wasser und etwas Schmierseife. Verwenden Sie keine Reinigungs- oder Lösungsmittel; diese könnten die Kunststoffe angreifen.

Lagerung

Die Schutzbrille nicht in extrem heißen Umgebungen und unter Einwirkung von UV-Strahlen lagern. Dies kann die Lebenszeit der Kunststoffe verkürzen. Die Brille bei Nichtgebrauch an einer dunklen kühlen Stelle lagern.

Nutzungsdauer

Bei zerkratzten oder beschädigten Sichtscheiben, sowie bei einer Beschädigung des Gestells ist die Schutzbrille auszutauschen.

Transport

Die Schutzbrille kann im Transportkoffer untergebracht werden.

Warnhinweise

Beim Tragen einer Korrektionsbrille unter der Sicherheitsbrille besteht die Gefahr, dass durch das Übertragen von Stößen, verursacht durch Teilchen hoher Geschwindigkeit, der Benutzer Schaden nimmt.

Werkstoffe die in Kontakt mit der Haut des Benutzers kommen, können bei empfindlichen Personen Allergien auslösen.

Arbeiten Sie nicht mit einer Schutzbrille, bei der die Sichtscheibe zerkratzt oder beschädigt ist.

7. Inbetriebnahme

- Prüfen Sie vor jedem Arbeitsbeginn die einwandfreie Funktion der Auslösesicherung sowie den festen Sitz aller Schrauben und Muttern.
- Führen Sie keine Manipulationen am Eintreibgerät durch.
- Demontieren oder blockieren Sie keine Teile des Eintreibgerätes, wie z. B. eine Auslösesicherung.
- Führen Sie keine "Notreparaturen" mit ungeeigneten Mitteln durch.
- Das Eintreibgerät ist regelmäßig und sachgerecht nach Angaben des Herstellers zu warten.
- Vermeiden Sie jegliche Schwächung und Beschädigung des Gerätes, z. B. durch
 - a) Einschlagen oder Eingravieren,
 - b) vom Hersteller nicht zugelassene Umbaumaßnahmen,
 - c) Führen an Schablonen, die aus hartem Material, z. B. Stahl, gefertigt sind,
 - d) Schieben über den Fußboden,
 - e) Handhabung als Hammer,
 - f) jede Art von Gewalteinwirkung.

7.1 Kontrolle der Auslösesicherung

Überprüfen Sie die Auslösesicherung (Abb. 1/Pos. H) vor jeder Benutzung. Die Auslösesicherung muss sich frei bewegen ohne zu hacken. Die Feder der Auslösesicherung, muss die Auslösesicherung zur gelösten Ausgangsposition zurückbringen. Verwenden Sie das Gerät niemals, wenn die Auslösesicherung nicht funktioniert.

1. Trennen Sie das Gerät von der Luftzufuhr.
2. Entfernen Sie das Eintreibemittel aus dem Magazin (Abb. 1/Pos. E).
3. Kontrollieren Sie nun, dass der Auslöser und die Auslösesicherung sich frei auf und ab bewegen lassen.
4. Verbinden Sie das Gerät mit der Luftzufuhr.
5. Drücken Sie die Auslösesicherung gegen das Werkstück ohne den Auslöser zu drücken. Das Gerät darf **nicht** arbeiten. Verwenden Sie das Gerät nicht, wenn es arbeitet, ohne dass der Auslöser gedrückt wird. Verletzungsgefahr!
6. Entfernen Sie das Gerät vom Werkstück. Die Auslösesicherung muss zur gelösten Ausgangsposition zurückkehren. Drücken Sie den Auslöser. Das Gerät darf **nicht** arbeiten. Verwenden Sie das Gerät nicht wenn es arbeitet. Verletzungsgefahr!
7. Betätigen Sie den Auslöser und drücken Sie die Auslösesicherung gegen das Werkstück. Das Gerät arbeitet.
8. Drücken Sie die Auslösesicherung gegen das Werkstück und betätigen Sie den Auslöser, das Gerät arbeitet.

7.2 Laden von Klammern und Nägeln

- Zum Füllen des Magazins (Abb. 1/Pos. E) das Gerät so halten, dass die Mündung weder auf den eigenen Körper noch auf eine andere Personen gerichtet ist.
- Um das Magazin zu füllen, drücken Sie auf den Magazinhebel (Abb. 1 / Pos. C) und ziehen die Magazinabdeckung (Abb.1 / Pos. D) nach hinten, bis zum Anschlag.
- Legen Sie die Klammern, wie in (Abb. 3), oder die Nägel, wie in (Abb. 4), gezeigt ein.
- Legen Sie nicht mehr als eine komplette Klammernstange / Nagelstange ein, ansonsten wäre das Magazin überfüllt und

kann nicht mehr verschlossen werden. Schieben Sie die Magazinabdeckung nun wieder nach vorne, bis diese einrastet.

- Die Füllstandsanzeige (Abb. 5 / Pos. F) zeigt die Anzahl der geladenen Klammern / Nägel an, wenn weniger als 50 Stück geladen sind.

7.3 Bedienung/Arbeitsdruck

- Schließen Sie den Druckluft-Tacker/-Nagler am Druckluftanschluss (Abb.1 / Pos. B) an.
- Stellen Sie den drehbaren Luftablass (Abb.1 / Pos. K) wie gewünscht ein.
- Schalten Sie vor Inbetriebnahme des Tackers den Kompressor ein und stellen den Arbeitsdruck am Druckminderer auf 4 bar ein.
- Die Rändelschraube für die Feineinstellung (Abb. 6 / Pos. G) muss sich in etwa der Mittelstellung zwischen Pos. 1 und 2 befinden. Dazu schrauben Sie die Rändelschraube, von Position 1 ausgehend, drei Umdrehungen auf.
- Am besten Sie benutzen beim Einstellen des Arbeitsdruckes ein Probewerkstück, welches in Struktur und Materialstärke dem der zu verbindenden Werkstücke entspricht.
- Setzen Sie nun zum Tackern / Nageln den Druckluft-Tacker/-Nagler auf das Werkstück an. Ziehen Sie den Abzugshebel (Abb. 1/Pos. A) einmal durch und lassen diesen nach jedem Schuss wieder los.
- Ist der Nagel oder die Klammer zu tief eingeschlagen, drehen Sie den Arbeitsdruck am Druckminderer um 0,5 bar zurück.
- Ist der Nagel oder die Klammer nicht tief genug eingeschlagen, oder steht über, erhöhen Sie den Arbeitsdruck am Druckminderer um 0,5 bar.
- Nun setzen Sie den Tacker/ Nagler erneut an das Probewerkstück an, und lösen aus.
- Je nach Ergebnis verändern Sie den Arbeitsdruck in 0,5 bar Schritten nach oben oder nach unten, bis die Einschlagtiefe in etwa stimmt. Eine Feineinstellung (Abs. 7.4) führen Sie mit Hilfe der Rändelschraube durch.
- Dieses Gerät verfügt ebenfalls über einen Automatikbetrieb. Wenn Sie den

DE/AT/
CH

Abzugshebel gedrückt lassen, werden beim Aufsetzen des Druckluft-Tacker/-Naglers auf das Werkstück automatisch Klammern / Nägel verschossen.

- Um Störungen zu verhindern, achten Sie darauf, dass nicht zweimal auf die gleiche Stelle getackert wird.

Achtung:

Sollte eine Klammer / Nagel im Kolbenschacht stecken bleiben, immer sofort das Gerät drucklos machen (Druckluftzuleitung abnehmen), den Magazinschacht öffnen und dann erst die Abdeckplatten (Abb. 8 / Pos. I/J) durch Lösen der Schrauben mit dem beiliegenden Inbusschlüssel (Abb. 2 / Pos. N) abnehmen (Abb. 7 / 8). Nun die verklemmten Klammern herausnehmen, eventuell den Schacht reinigen, und in umgekehrter Reihenfolge wieder verschließen.

7.4 Feineinstellung

- Das Gerät verfügt über eine Tiefeneinstellung (Abb. 6 / Pos. G) in Form einer Rändelschraube.
- Wird diese nach unten (Abb. 6 / Pos. 1) geschraubt, werden die Klammern / Nägel tiefer eingeschossen.
- Um die Klammern / Nägel weniger tief einzuschließen, muss die Rändelschraube nach oben (Abb. 6 / Pos. 2) geschraubt werden.

Achtung: Die Tiefeneinstellung darf, um ein ungewolltes Auslösen zu verhindern, im Normalbetrieb nicht per Hand nach hinten gezogen werden.

8. Wartung und Pflege

Achtung: Trennen Sie das Gerät vom Druckluftnetz bevor Sie Wartungs- und Reinigungsarbeiten durchführen.

Die Einhaltung der hier angegebenen Wartungshinweise sichert für dieses Qualitätsprodukt eine lange Lebensdauer und einen störungsfreien Betrieb zu. Prüfen Sie vor jedem Arbeitsbeginn den festen Sitz des Magazins (Abb. 1/Pos. E). Reinigen

Sie das Gerät gründlich und sofort nach der Arbeit.

Für eine dauerhafte einwandfreie Funktion Ihres Tackers ist eine regelmäßige Schmierung Voraussetzung. Verwenden Sie hierfür nur das im Lieferumfang enthaltene Öl (Abb. 2/Pos. M).

Es gibt zwei Möglichkeiten der Schmierung:

8.1 über einen Nebelöler

Eine komplette Wartungseinheit beinhaltet einen Nebelöler und ist am Kompressor angebracht.

8.2 von Hand

Ist bei Ihrer Anlage weder eine Wartungseinheit noch ein Leitungsoiler vorhanden, so müssen vor jeder Inbetriebnahme des Druckluftwerkzeuges 3-5 Tropfen Öl in den Druckluftanschluss gegeben werden. Ist das Druckluftwerkzeug mehrere Tage außer Betrieb, müssen Sie vor dem Einschalten 5-10 Tropfen Öl in den Druckluftanschluss geben.

Lagern Sie Ihr Druckluftwerkzeug nur in trockenen Räumen.

8.3 Sonstige Wartung

Im Geräteinneren befinden sich keine weiteren zu wartenden Teile.

9. Reinigung und Ersatzteilbestellung

Achtung: Trennen Sie das Gerät vom Druckluftnetz bevor Sie Wartungs- und Reinigungsarbeiten durchführen.

9.1 Reinigung

- Halten Sie die Auslösesicherung (Abb. 1/Pos. H) so staub- und schmutzfrei wie möglich. Reiben Sie das Gerät mit einem sauberen Tuch ab oder blasen Sie es mit Druckluft bei niedrigem Druck aus.
- Wir empfehlen, dass Sie das Gerät direkt nach jeder Benutzung reinigen.

- Reinigen Sie das Gerät regelmäßig mit einem feuchten Tuch und etwas Schmierseife. Verwenden Sie keine Reinigungs- oder Lösungsmittel; diese könnten die Kunststoffteile des Gerätes angreifen. Achten Sie darauf, dass kein Wasser in das Geräteinnere gelangen kann.

9.2 Ersatzteilbestellung

Bei der Ersatzteilbestellung sollten folgende Angaben gemacht werden;

- Typ des Gerätes
- Artikelnummer des Gerätes
- Ident-Nummer des Gerätes

Aktuelle Preise und Infos finden Sie unter www.isc-gmbh.info

10. Entsorgung und Wiederverwertung

Das Gerät befindet sich in einer Verpackung um Transportschäden zu verhindern. Diese Verpackung ist Rohstoff und ist somit wieder verwendbar, oder kann dem Rohstoffkreislauf zurückgeführt werden. Das Gerät und dessen Zubehör bestehen aus verschiedenen Materialien, wie z.B. Metall und Kunststoffe. Führen Sie defekte Bauteile der Sondermüllentsorgung zu. Fragen Sie im Fachgeschäft oder in der Gemeindeverwaltung nach!

11. Von der Garantie ausgeschlossen sind:

- Verschleißteile
- Schäden durch unzulässigen Arbeitsdruck.
- Schäden durch nicht aufbereitete Druckluft.
- Schäden, hervorgerufen durch unsachgemäßen Gebrauch oder Fremdeingriff.

DE/AT/
CH

12. Konformitätserklärung

Einhell Germany AG · Wiesenweg 22 · D-94405 Landau/Isar



Konformitätserklärung

- erklärt folgende Konformität gemäß EU-Richtlinie und Normen für Artikel
 explains the following conformity according to EU directives and norms for the following product
 déclare la conformité suivante selon la directive CE et les normes concernant l'article
 dichiara la seguente conformità secondo la direttiva UE e le norme per l'articolo
 verklaart de volgende overeenstemming conform EU richtlijn en normen voor het product
 declara la siguiente conformidad a tenor de la directiva y normas de la UE para el artículo
 declara a seguinte conformidade, de acordo com a directiva CE e normas para o artigo
 atterer følgende overensstemmelse i medfør af EU-direktiv samt standarder for artikel
 förklarar följande överensstämmelse enl. EU-direktiv och standarder för artikeln
 vakuuttaa, että tuote täyttää EU-direktiivin ja standardien vaatimukset
 tõendab toote vastavust EL direktiivile ja standarditele
 vydává následující prohlášení o shodě podle směrnice EU a norem pro výrobek
 potrjuje sledečo skladnost s smernico EU in standardi za izdelek
 vydáva nasledujúce prehlásenie o zhode podľa smernice EÚ a noriem pre výrobok
 a cikkekez az EU-irányvonal és Normák szerint a következő konformitást jelenti ki
 deklaruje zgodność wymienionego poniżej artykułu z następującymi normami na podstawie dyrektywy WE.
 декларира съответното съответствие съгласно Директива на ЕС и норми за артикул
 paskaidro šādu atbilstību ES direktīvai un standartiem
 aribūdina šj atitikimā EU reikalavimams ir prekės normoms
 declară următoarea conformitate conform directivei UE și normelor pentru articolul
 δηλώνει την ακόλουθη συμμόρφωση σύμφωνα με την Οδηγία ΕΚ και τα πρότυπα για το προϊόν
 potvrđuje sljedeću usklađenost prema smjernicama EU i normama za artikl
 Izjava o sukladnosti za ovaj proizvod dostupna je na internet stranici www.lidl.hr.
 potvrđuje sljedeću usklađenost prema smjernicama EU i normama za artikl
 potvrđuje sledeću usklađenost prema smernicama EZ i normama za artikal
 следующим удостоверяется, что следующие продукты соответствуют директивам и нормам ЕС
 проголошує про зазначену нижче відповідність виробу директивам та стандартам ЄС на виріб
 Ürünü ile ilgili AB direktifleri ve normları gereğince aşağıda açıklanan uygunluğu belirtir
 erklærer følgende samsvar i henhold til EU-direktivet og standarder for artikkel
 Lýsir uppfyllingu EU-reglna og annarra staða vöru

Druckluft-Tacker/Nagler PDT 40 A1 (Parkside)

- 87/404/EC_2009/105/EC
 2005/32/EC_2009/125/EC
 2006/95/EC
 2006/28/EC
 2004/108/EC
 2004/22/EC
 1999/5/EC
 97/23/EC
 90/396/EC_2009/142/EC
 89/686/EC_96/58/EC
- 2006/42/EC
 Annex IV
 Notified Body:
 Notified Body No.:
 Reg. No.:
- 2000/14/EC_2005/88/EC
 Annex V
 Annex VI
 Noise: measured L_{WA} = dB (A); guaranteed L_{WA} = dB (A)
 P = KW; LØ = cm
 Notified Body:
- 2004/26/EC
 Emission No.:

Standard references: EN 792-13

Landau/Isar, den 31.01.2011

Weichselgartner/General Manager

Wang/Product-Management

First CE: 10
 Art.-No.: 41.377.62 I.-No.: 11021
 Subject to change without notice

Archive-File/Record: NAPR003575
 Documents registrar: Siegfried Roider
 Wiesenweg 22, D-94405 Landau/Isar

12. Konformitätserklärung

Einhell Germany AG · Wiesenweg 22 · D-94405 Landau/Isar



Konformitätserklärung

- (C)** erklärt folgende Konformität gemäß EU-Richtlinie und Normen für Artikel
- (EN)** explains the following conformity according to EU directives and norms for the following product
- (F)** déclare la conformité suivante selon la directive CE et les normes concernant l'article
- (I)** dichiara la seguente conformità secondo la direttiva UE e le norme per l'articolo
- (NL)** verklaart de volgende overeenstemming conform EU richtlijn en normen voor het product
- (E)** declara la siguiente conformidad a tenor de la directiva y normas de la UE para el artículo
- (P)** declara a seguinte conformidade, de acordo com a directiva CE e normas para o artigo
- (DK)** atterer følgende overensstemmelse i medfør af EU-direktiv samt standarder for artikel
- (S)** förklarar följande överensstämmelse enl. EU-direktiv och standarder för artikeln
- (FIN)** vakuuttaa, että tuote täyttää EU-direktiivin ja standardien vaatimukset
- (EL)** төэндab тооте vastavust EL direktiivile ja standarditele
- (CZ)** vydává následující prohlášení o shodě podle směrnice EU a norem pro výrobek
- (SK)** potvrduje sledečo skladnosť s smernico EU in standardi za izdelek
- (HU)** ydává následující prohlášení o zhode podľa smernice EÚ a noriem pre výrobok
- (H)** a cikkekez az EU-irányvonal és Normák szerint a következő konformitást jelenti ki
- (PL)** deklaruje zgodność wymienionego poniżej artykułu z następującymi normami na podstawie dyrektywy WE.
- (BG)** декларира съответното съответствие съгласно Директива на ЕС и норми за артикул
- (LV)** paskaidro šādu atbilstību ES direktīvai un standartiem
- (LT)** apibūdina šį atitikimą EU reikalavimams ir prekės normoms
- (RO)** declară următoarea conformitate conform directivei UE și normelor pentru articolul
- (GR)** δηλώνει την ακόλουθη συμμόρφωση σύμφωνα με την Οδηγία ΕΚ και τα πρότυπα για το προϊόν
- (HR)** potvrđuje sljedeću usklađenost prema smjernicama EU i normama za artikl
Izjava o sukladnosti za ovaj proizvod dostupna je na internet stranici www.lidl.hr.
- (SI)** potrjuje sljedeću usklađenost prema smjernicama EU i normama za artikl
- (RS)** potvrđuje sledeću usklađenost prema smernicama EZ i normama za artikal
- (SL)** sledujočim udostoverjarsja, čto sledujoče produkte sootvetstvujut direktivam i normam EC
- (LT)** prorošuosje pro zaznačenu nižče vidpovidnist' viprobu direktivam ta standartam EC na virib
- (HU)** Ürünü ile ilgili AB direktifleri ve normları gereğince aşağıda açıklanan uygunluğu belirtir
- (C)** erklærer følgende samsvar i henhold til EU-direktivet og standarder for artikkel
- (IS)** Lýsir uppfyllingu EU-reglna og annarra staða vöru

Schutzbrille SF 026

- 87/404/EC_2009/105/EC
- 2005/32/EC_2009/125/EC
- 2006/95/EC
- 2006/28/EC
- 2004/108/EC
- 2004/22/EC
- 1999/5/EC
- 97/23/EC
- 90/396/EC_2009/142/EC
- 89/686/EC_96/58/EC
- 2006/42/EC
- Annex IV
Notified Body:
Notified Body No.:
Reg. No.:
- 2000/14/EC_2005/88/EC
- Annex V
- Annex VI
Noise: measured L_{WA} = dB (A); guaranteed L_{WA} = dB (A)
P = KW; LØ = cm
Notified Body:
- 2004/26/EC
Emission No.:

Standard references: EN 166

Landau/Isar, den 31.01.2011

Weichselgartner/General Manager

Wang/Product-Management

First CE: 10
Art.-No.: 41.377.62 I.-No.: 11021
Subject to change without notice

Archive-File/Record: NAPR003575
Documents registrar: Siegfried Roider
Wiesenweg 22, D-94405 Landau/Isar

13. GARANTIEURKUNDE

Sehr geehrte Kundin, sehr geehrter Kunde,

unsere Produkte unterliegen einer strengen Qualitätskontrolle. Sollte dieses Gerät dennoch einmal nicht einwandfrei funktionieren, bedauern wir dies sehr und bitten Sie, sich an unseren Servicedienst unter der auf dieser Garantiekarte angegebenen Adresse zu wenden. Gern stehen wir Ihnen auch telefonisch über die unten angegebene Servicrufnummer zur Verfügung. Für die Geltendmachung von Garantieansprüchen gilt Folgendes:

1. Diese Garantiebedingungen regeln zusätzliche Garantieleistungen. Ihre gesetzlichen Gewährleistungsansprüche werden von dieser Garantie nicht berührt. Unsere Garantieleistung ist für Sie kostenlos.
2. Die Garantieleistung erstreckt sich ausschließlich auf Mängel, die auf Material- oder Herstellungsfehler zurückzuführen sind und ist auf die Behebung dieser Mängel bzw. den Austausch des Gerätes beschränkt. Bitte beachten Sie, dass unsere Geräte bestimmungsgemäß nicht für den gewerblichen, handwerklichen oder industriellen Einsatz konstruiert wurden. Ein Garantievertrag kommt daher nicht zustande, wenn das Gerät in Gewerbe-, Handwerks- oder Industriebetrieben sowie bei gleichzusetzenden Tätigkeiten eingesetzt wird.
Von unserer Garantie sind ferner Ersatzleistungen für Transportschäden, Schäden durch Nichtbeachtung der Montageanleitung oder aufgrund nicht fachgerechter Installation, Nichtbeachtung der Gebrauchsanleitung (wie durch z.B. Anschluss an eine falsche Netzspannung oder Stromart), missbräuchliche oder unsachgemäße Anwendungen (wie z.B. Überlastung des Gerätes oder Verwendung von nicht zugelassenen Einsatzwerkzeugen oder Zubehör), Nichtbeachtung der Wartungs- und Sicherheitsbestimmungen, Eindringen von Fremdkörpern in das Gerät (wie z.B. Sand, Steine oder Staub), Gewaltanwendung oder Fremdeinwirkungen (wie z. B. Schäden durch Herunterfallen) sowie durch verwendungsgemäßen, üblichen Verschleiß ausgeschlossen. Dies gilt insbesondere für Akkus, auf die wir dennoch eine Garantiezeit von 12 Monaten gewähren.
Der Garantieanspruch erlischt, wenn an dem Gerät bereits Eingriffe vorgenommen wurden.
3. Die Garantiezeit beträgt 3 Jahre und beginnt mit dem Kaufdatum des Gerätes. Garantieansprüche sind vor Ablauf der Garantiezeit innerhalb von zwei Wochen, nachdem Sie den Defekt erkannt haben, geltend zu machen. Die Geltendmachung von Garantieansprüchen nach Ablauf der Garantiezeit ist ausgeschlossen. Die Reparatur oder der Austausch des Gerätes führt weder zu einer Verlängerung der Garantiezeit noch wird eine neue Garantiezeit durch diese Leistung für das Gerät oder für etwaige eingebaute Ersatzteile in Gang gesetzt. Dies gilt auch bei Einsatz eines Vor-Ort-Services.
4. Für die Geltendmachung Ihres Garantieanspruches übersenden Sie bitte das defekte Gerät portofrei an die unten angegebene Adresse. Fügen Sie den Verkaufsbeleg im Original oder einen sonstigen datierten Kaufnachweis bei. Bitte bewahren Sie deshalb den Kassenbon als Nachweis gut auf! Beschreiben Sie uns bitte den Reklamationsgrund möglichst genau. Ist der Defekt des Gerätes von unserer Garantieleistung erfasst, erhalten Sie umgehend ein repariertes oder neues Gerät zurück.

Selbstverständlich beheben wir gegen Erstattung der Kosten auch gerne Defekte am Gerät, die vom Garantiefumfang nicht oder nicht mehr erfasst sind. Dazu senden Sie das Gerät bitte an unsere Serviceadresse.



IAN: 64571 PDT 40 A1
Einhell Germany AG
Wiesenweg 22
D-94405 Landau/Isar

Last Information Update · Tietojen tila · Informationsstatus
Tilstand af information · Stand der Informationen:
02/2011 Ident.-No.: 41.377.62 022011 - 3

