



**PXCSDMK-418U**

---

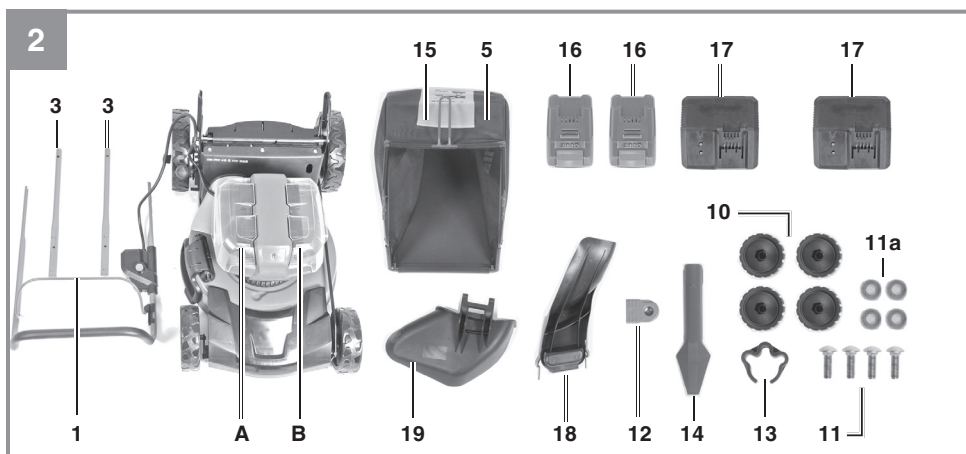
**GB Original operating instructions**  
**Cordless lawn mower**

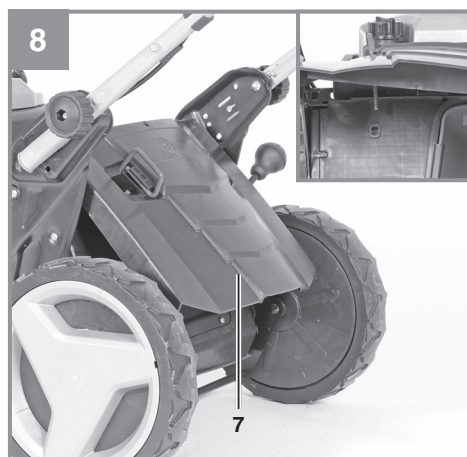
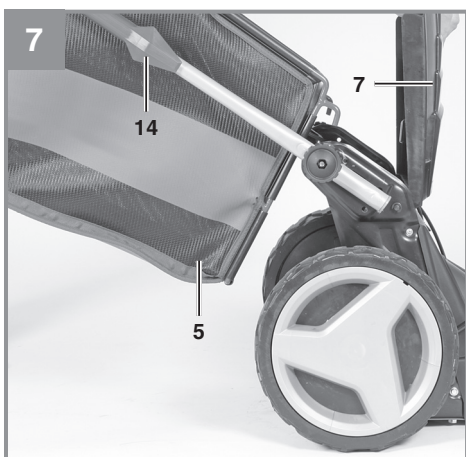
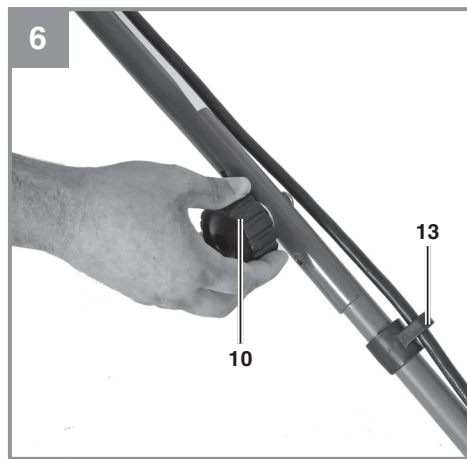
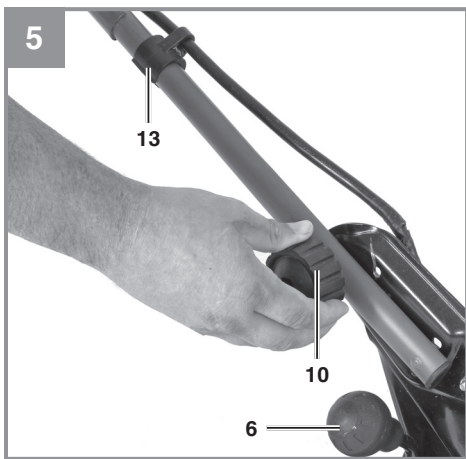
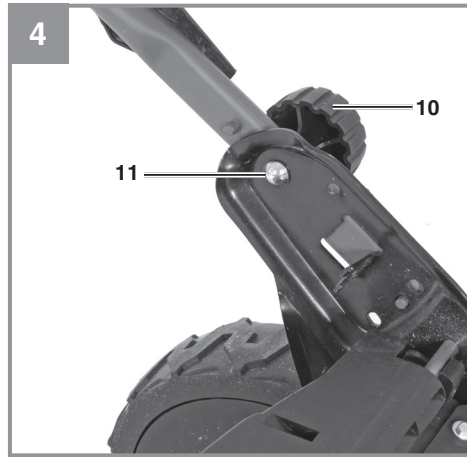
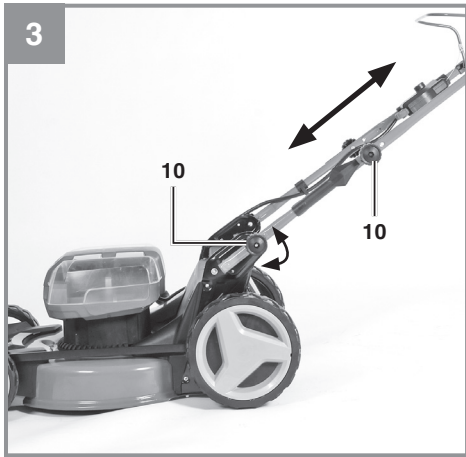


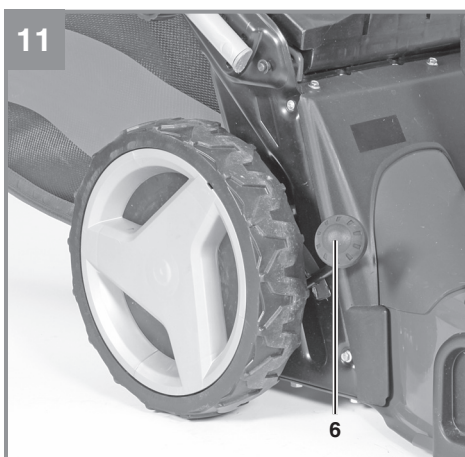
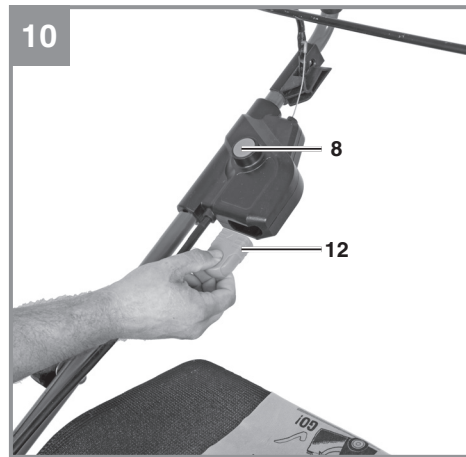
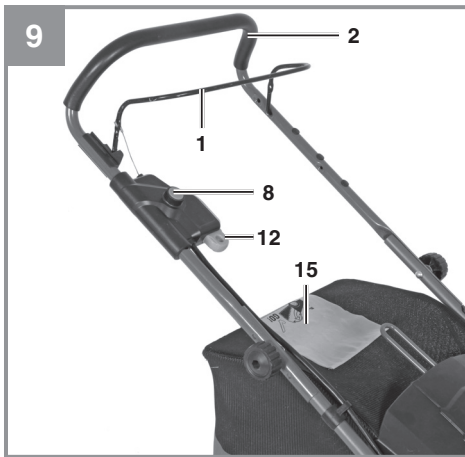
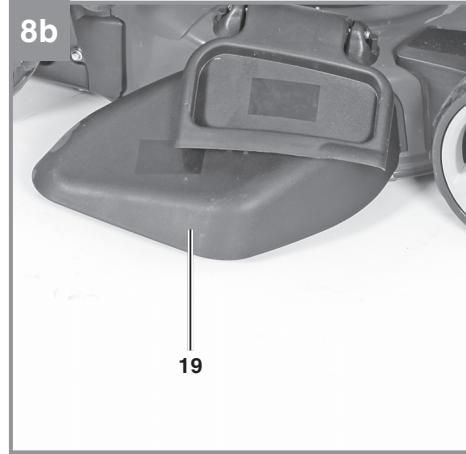
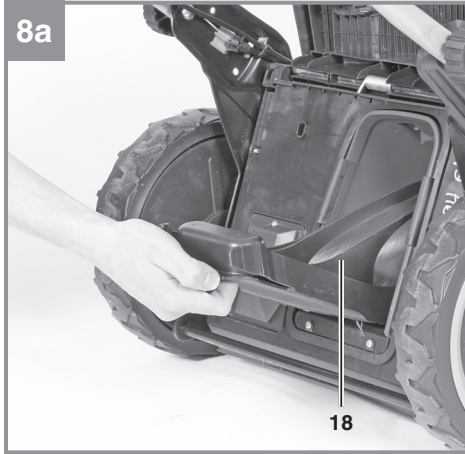
---

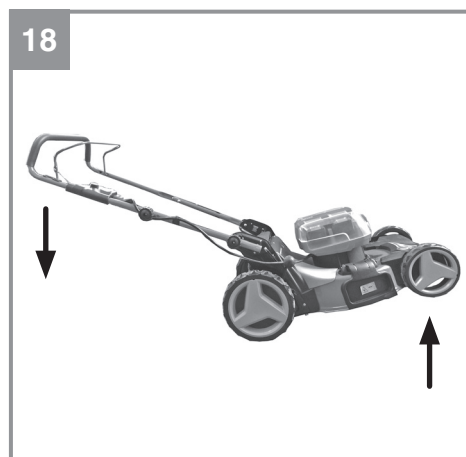
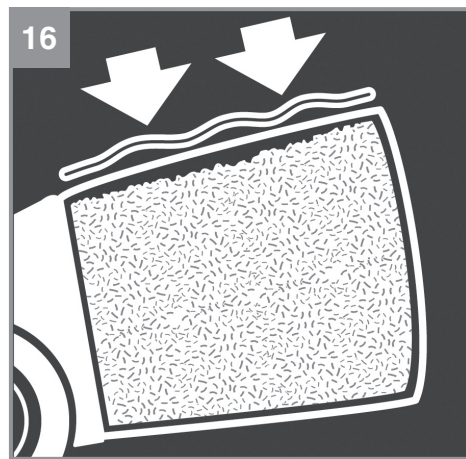
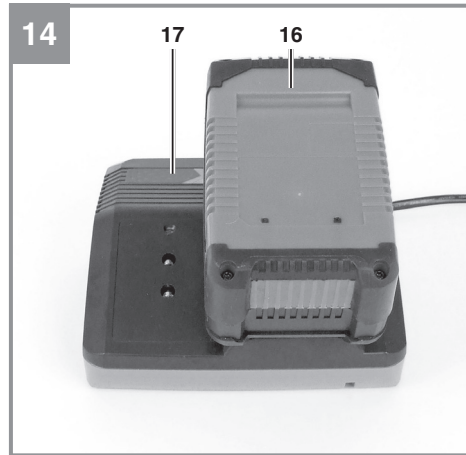
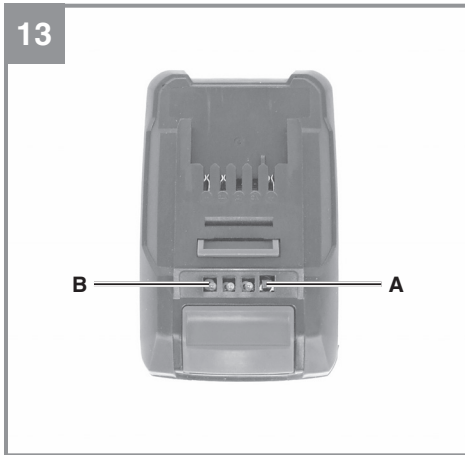
**Art.-Nr.: 34.131.62**

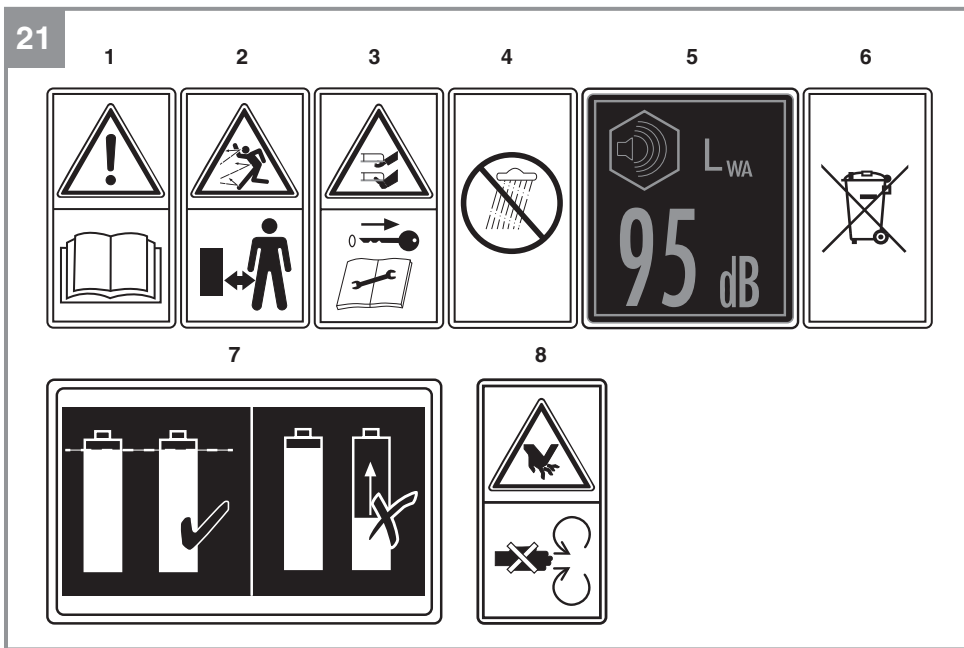
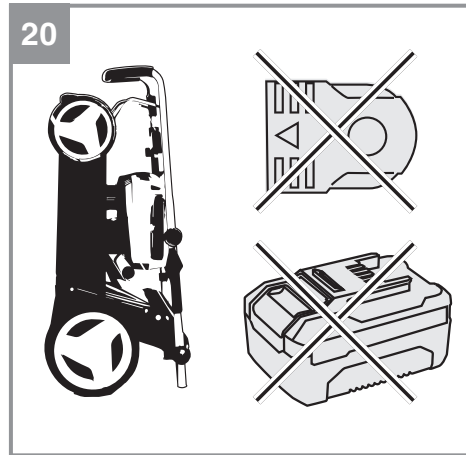
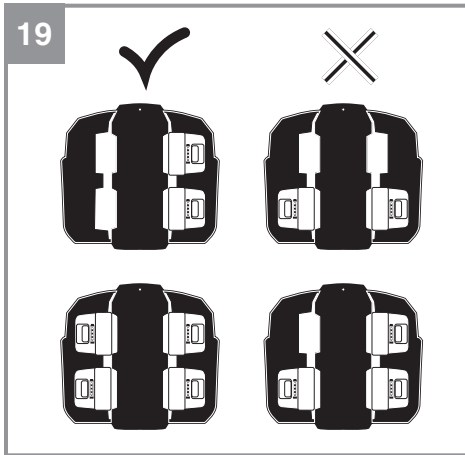
**I.-Nr.: 11019**











## Table of contents

1. Safety regulations
2. Layout and items supplied
3. Proper use
4. Technical data
5. Before starting the equipment
6. Operation
7. Cleaning, maintenance and ordering of spare parts
8. Storage and transport
9. Disposal and recycling
10. Charger indicator
11. Troubleshooting



**Danger!** - Read the operating instructions to reduce the risk of injury

Children are not allowed to use this equipment. Children should be supervised so that they do not play with the equipment. Children are not allowed to carry out cleaning or maintenance. This equipment is not allowed to be used by people with limited physical, sensory or mental capacities or by those with insufficient knowledge or experience unless they are supervised or instructed by a person who is responsible for them.

**Danger!**

When using the equipment, a few safety precautions must be observed to avoid injuries and damage. Please read the complete operating instructions and safety regulations with due care. Keep this manual in a safe place, so that the information is available at all times. If you give the equipment to any other person, hand over these operating instructions and safety regulations as well. We cannot accept any liability for damage or accidents which arise due to a failure to follow these instructions and the safety instructions.

**1. Safety regulations****Danger!****Read all safety regulations and instructions.**

Any errors made in following the safety regulations and instructions may result in an electric shock, fire and/or serious injury.

**Keep all safety regulations and instructions in a safe place for future use.****General safety regulations for this electrical tool**

This equipment is not designed to be used by people (including children) with limited physical, sensory or mental capacities or those with no experience and/or knowledge unless they are supervised by a person who is responsible for their safety or they have received instructions from such a person in how to use the equipment safely. Children must always be supervised in order to ensure that they do not play with the equipment.

**Safety instructions for hand mower**

- Before use, check the mains cable and extension cable for signs of damage and aging.
- If the cable is damaged during operation, disconnect it immediately from the power supply.
- Check the machine for signs of damage before use. Repairs may only be carried out by our service workshop. If unusual vibrations occur during use, switch the machine off immediately and pull the plug. Check the cutters and clean them if necessary. If the machine continues to vibrate, switch it off, disconnect it from the mains supply and send it to our service workshop.
- The machine must not be tipped whilst it is being started. Both hands must be on the handle when you start the machine.
- Worn parts may only be replaced by our

service workshop. If necessary contact the service address provided.

**WARNINGS**

- Do not touch the cutters until the machine has been disconnected from the mains and the cutters have reached a complete standstill.
- Break the connection with the mains supply (in other words pull the plug out of the socket):
  - whenever you leave the machine unattended;
  - before released a blocked cutter;
  - before inspecting or cleaning and before working on the machine;
  - if a foreign body has been struck;
  - whenever the machine starts to vibrate oddly.
- Carefully read the instructions for how to operate the machine safely.

**Note**

- a) Read the directions with due care. Familiarize yourself with the operator controls and proper operation of the machine.
- b) Never allow children or other persons who are not familiar with the operating instructions to use the mower. Contact your local governmental agency for information regarding minimum age requirements for the user.
- c) Never mow in the direct vicinity of persons - especially children - or animals.
- d) Always keep in mind that the operator or user of the equipment is responsible for accidents involving other persons and/or their property.

**Preliminary measures**

- a) Always wear sturdy, non-slip footwear and long trousers when mowing. Never mow barefoot or in sandals.
- b) Check the ground on which the equipment will be used and remove all objects that could be caught up or violently flung out.
- c) Before using the scythe, visually inspect it to ensure that the blade, mounting bolts and the entire cutting apparatus are in good working order (i.e. not worn out or damaged). To prevent any imbalance, replace worn out or damaged blades and mounting bolts as a set only (if applicable).
- d) Remember that if the machine has several cutting tools, the movement of one cutting tool may result in the other cutting tools starting to rotate.



**Handling**

- a) Only mow in broad daylight or in well-lit conditions.
- b) Do not use the machine on wet grass.
- c) Always maintain good footing on inclines.
- d) Only operate the machine at a walking pace.
- e) Always mow across hills i.e. never straight up or straight down.
- f) Be particularly careful when you change direction on a slope.
- g) Do not mow on overly steep inclines.
- h) Always be extra careful when turning the mower around and when pulling it towards you.
- i) Switch the mower off, pull the plug and wait until the cutters have reached a complete standstill if you need to tip the mower over, transport it over surfaces other than grass and if the mower has to be moved from and to the area you wish to mow.
- j) Never use the lawn mower if the guards are damaged or without the attached guards, e.g. deflectors and/or grass catching devices.
- k) Use the ON/OFF switch carefully as described in the manufacturer's instructions. Make sure that your feet are far enough away from the mower blade!
- l) The lawn mower should not be tilted when the motor is switched on unless it has to be raised for starting purposes. In this case, tilt it as little as absolutely necessary and only raise the side opposite to that of the user.
- m) Do not switch on the mower if you are positioned in front of the chute.
- n) Never move your hands or feet toward or under any rotating parts. Keep clear of the chute opening at all times.
- o) Never lift or carry a lawn mower with the engine running.
- p) Switch off the motor and pull the power plug:
  - before you dislodge any blockages or clogs in the chute.
  - before carrying out any checks, cleaning, maintenance or other work on the lawn mower.
  - if you have struck a foreign object. Examine the mower for signs of damage and carry out any necessary repairs before restarting and continuing to work with the mower.
  - if the lawn mower begins to experience exceptionally strong vibrations, immediately switch it off and check it.
- q) Switch off the mower and pull the plug whenever you leave the mower.

**Maintenance and storage**

- a) Make sure that all nuts, bolts and screws are tightened securely and that the machine is in safe working condition.
- b) Allow the mower to cool before you put it into an enclosed area.
- c) To avoid the risk of fire, keep the motor housing and ventilation slots clear of grass, leaves, oil and grease.
- d) Routinely check the grass basket for signs of wear and impaired functionality.
- e) For your own safety, have worn or damaged parts replaced without delay.
- f) Take care not to jam your fingers between moving blades and stationary parts of the equipment while you are adjusting the equipment.
- g) While you are carrying out maintenance work on the blades, remember that the blades can still be moved even if the power source has been switched off.

**CAREFUL HANDLING AND USE OF CORDLESS EQUIPMENT**

- **Ensure that the equipment is switched off before you insert the battery.** Inserting a battery into an electric tool that is switched on can cause accidents.
- **Only charge the batteries in chargers that are recommended by the manufacturer.** A charger that is designed for a certain type of batteries may pose a fire risk if it is used with other types of batteries.
- **Use only the correct batteries in the electric tools.** The use of other batteries may result in injuries and a fire risk.
- **Keep unused batteries away from paper clips, coins, keys, nails, screws and other metallic objects that could cause a short circuit between the contacts.** A short circuit between the battery contacts may cause burns or a fire.
- **In case of incorrect use, fluid may escape from the battery. Avoid contact with it. If you touch it by mistake, rinse the affected area with water. If you get the fluid in your eyes, also seek medical advice.** Leaking battery fluid can cause skin irritation or burns.

**Additional safety instructions**

We pay a great deal of attention to the design of every battery pack to ensure that we supply you with batteries which feature maximum power density, durability and safety. The battery cells have a wide range of safety devices. Each individual

cell is initially formatted and its electrical characteristic curves are recorded. These data are then used exclusively to be able to assemble the best possible battery packs. **Despite all the safety precautions, caution must always be exercised when handling batteries. The following points must be obeyed at all times to ensure safe use.**

**Safe use can only be guaranteed if undamaged cells are used. Incorrect handling can cause cell damage.**

**Important:** Analyses confirm that incorrect use and poor care are the main causes of the damage caused by high performance batteries.

#### Information about the battery

1. The battery pack supplied with your cordless tool is not charged. The battery pack has to be charged before you use the tool for the first time.
2. For optimum battery performance avoid low discharge cycles. Charge the battery pack frequently.
3. Store the battery pack in a cool place, ideally at 15°C and charged to at least 40%.
4. Lithium-ion batteries are subject to a natural ageing process. The battery pack must be replaced at the latest when its capacity falls to just 80% of its capacity when new. Weakened cells in an aged battery pack are no longer capable of meeting the high power requirements and therefore pose a safety risk.
5. Do not throw battery packs into an open fire. There is a risk of explosion!
6. Do not ignite the battery pack or expose it to fire.
7. **Do not exhaustively discharge batteries.** Exhaustive discharge will damage the battery cells. The most common cause of exhaustive discharge is lengthy storage or non-use of partly discharged batteries. Stop working as soon as the performance of the battery falls noticeably or the electronic protection system triggers. Place the battery pack in storage only after it has been fully charged.
8. **Protect batteries and the tool from overloads.** Overloads will quickly result in overheating and cell damage inside the battery housing without this overheating actually being apparent externally.
9. **Avoid damage and shocks.** Replace batteries which have been dropped from a height of more than one meter or which have been exposed to violent shocks without delay, even if the housing of the battery pack appears to be undamaged. The battery cells inside the battery may have suffered serious damage. In this respect, please also read the waste disposal information.
10. If the battery pack suffers overloading and overheating, the integrated protective cut-off will switch off the equipment for safety reasons. **Important.** Do not press the ON/OFF switch any more if the protective cut-off has actuated. This may damage the battery pack.
11. Use only original battery packs. The use of other batteries may result in injuries, explosion and a fire risk.

#### Information on chargers and the charging process

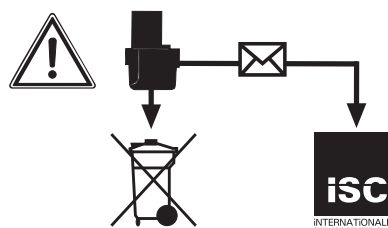
1. Please check the data marked on the rating plate of the battery charger. Be sure to connect the battery charger to a power supply with the voltage marked on the rating plate. Never connect it to a different mains voltage.
2. Protect the battery charger and its cable from damage and sharp edges. Have damaged cables repaired without delay by a qualified electrician.
3. Keep the battery charger, batteries and the cordless tool out of children's reach.
4. Do not use damaged battery chargers.
5. Do not use the supplied battery charger to charge other cordless tools.
6. In heavy use the battery pack will become warm. Allow the battery pack to cool to room temperature before commencing with the charging.
7. **Do not over-charge batteries.** Do not exceed the maximum charging times. These charging times only apply to discharged batteries. Frequent insertion of a charged or partly charged battery pack will result in over-charging and cell damage. Do not leave batteries in the charger for days on end.
8. **Never use or charge batteries if you suspect that the last time they were charged was more than 12 months previously.** There is a high probability that the battery pack has already suffered dangerous damage (exhaustive discharge).
9. Charging batteries at a temperature below 10°C will cause chemical damage to the cell and may cause a fire.
10. Do not use batteries which have heated during the charging process, as the battery cells may have suffered dangerous damage.
11. Do not use batteries which have suffered

curvature or deformation during the charging process or which show other non-typical symptoms (gassing, hissing, cracking,...)

12. Never fully discharge the battery pack (recommended depth of discharge max. 80%)  
A complete discharge of the battery pack will lead to premature ageing of the battery cells.
13. Never charge the batteries unsupervised.

#### Protection from environmental influences

1. Wear suitable work clothes. Wear safety goggles.
2. **Protect your cordless tool and the battery charger from moisture and rain.** Moisture and rain can cause dangerous cell damage.
3. Do not use the cordless tool or the battery charger near vapors and inflammable liquids.
4. Use the battery charger and cordless tools only in dry conditions and an ambient temperature of 10-40°C.
5. Do not keep the battery charger in places where the temperature is liable to reach over 40°C. In particular, do not leave the battery charger in a car that is parked in the sunshine.
6. **Protect batteries from overheating.** Overloads, over-charging and exposure to direct sunlight will result in overheating and cell damage. Never charge or work with batteries which have been overheated – replace them immediately if possible.
7. **Storage of batteries, battery chargers and cordless tools.** Store the charger and your cordless tool only in dry places with an ambient temperature of 10-40°C. Store your lithium-ion battery pack in a cool, dry place at a temperature of 10-20°C. Protect them from humidity and direct sunlight. Only place fully charged batteries in storage (charged at least 40%).
8. Prevent the lithium-ion battery pack from freezing. Battery packs which were stored below 0°C for more than 60 minutes must be disposed of.
9. When handling batteries beware of electrostatic charge: Electrostatic discharges cause damage of the electronic protection system and the battery cells. Avoid electrostatic charging and never touch the battery poles.



Rechargeable batteries and cordless electric machines and tools contain materials that are potentially harmful to the environment. Never place any cordless electric machines or tools in your household refuse. When cordless electric machines or tools become defective or worn, remove the rechargeable batteries and return them to iSC GmbH (address: Eschenstrasse 6, D-94405, Germany). If the rechargeable batteries cannot be removed, return the complete cordless machine or tool.

You can then be sure that the equipment will be correctly disposed of by the manufacturer.

**When shipping or disposing of batteries and cordless tools, always ensure that they are packed individually in plastic bags to prevent short circuits and fires.**

**Do not lose these safety instructions**

#### Explanation of the warning signs on the equipment (see Fig. 21)

1. „Warning - Read the operating instructions to reduce the risk of injury“
2. Keep your distance!
3. Caution! - Sharp blades - Pull out the safety plug before carrying out any maintenance work.  
The blades will continue to rotate after the motor is switched off!
4. Protect the equipment from the damp and never expose it to rain.
5. Guaranteed sound power level: xx dB
6. Dispose of batteries correctly!

## 2. Layout and items supplied

### 2.1 Layout (Fig. 1/2/5/11/14)

1. Switching bar
2. Top push bar
3. Push bar holder
4. Rechargeable battery cover hoods
5. Grass basket
6. Cutting height adjustment
7. Ejector flap
8. Safety lock-off
9. Steel mowing deck
10. Fastening nuts for push bar
11. Fastening screws for push bar
- 11a Washers for fastening the push bar
12. Safety plug
13. Cable clip
14. Cleaning scraper
15. Filling level indicator
16. Battery pack
17. Battery charger
18. Mulching adapter
19. Side ejector adapter

### 2.2 Items supplied and unpacking (Fig. 2)

Please check that the article is complete as specified in the scope of delivery. If parts are missing, please contact our service center or the sales outlet where you made your purchase at the latest within 5 working days after purchasing the product and upon presentation of a valid bill of purchase. Also, refer to the warranty table in the service information at the end of the operating instructions.

- Open the packaging and take out the equipment with care.
- Remove the packaging material and any packaging and/or transportation braces (if available).
- Check to see if all items are supplied.
- Inspect the equipment and accessories for transport damage.
- If possible, please keep the packaging until the end of the guarantee period.

#### **Danger!**

**The equipment and packaging material are not toys. Do not let children play with plastic bags, foils or small parts. There is a danger of swallowing or suffocating!**

### Items supplied

- Cordless lawn mower
- Push bar holders (2x)
- Grass basket
- Washers (4x)
- Nuts for top and bottom push bar (2x)
- Safety plug
- Cable clips (1x)
- Battery (2x)
- Charging unit (2x)
- Fastening screws for top push bar (2x)
- Mulching adapter
- Original operating instructions
- Safety instructions

## 3. Proper use

The lawn mower is intended for private use, i.e. for use in home and gardening environments.

Private use of the lawn mower refers an annual operating time generally not exceeding that of 50 hours, during which time the equipment is primarily used to maintain small-scale, residential lawns and home/hobby gardens. Public facilities, sporting halls, and agricultural/forestry applications are excluded.

Caution! Due to the high risk of bodily injury to the user, the lawn mower may not be used to trim bushes, hedges or shrubs, to cut scaling vegetation, planted roofs, or balcony-grown grass, to clean (suck up) dirt and debris off walkways, or to chop up tree or hedge clippings. Moreover, the lawn mower may not be used as a power cultivator to level out high areas such as molehills.

For safety reasons, the lawn mower may not be used as a drive unit for other work tools or toolkits of any kind, unless they have been expressly permitted by the manufacturer.

The equipment is to be used only for its prescribed purpose. Any other use is deemed to be a case of misuse. The user / operator and not the manufacturer will be liable for any damage or injuries of any kind caused as a result of this.

Please note that our equipment has not been designed for use in commercial, trade or industrial applications. Our warranty will be voided if the machine is used in commercial, trade or industrial businesses or for equivalent purposes.

## 4. Technical data

Motor speed: .....	3300 min <sup>-1</sup>
Protection class: .....	III
Weight: .....	27 kg
Cutting width: .....	47 cm
Grass basket volume: .....	75 liters
Sound pressure level L <sub>pA</sub> : .....	79.9 dB(A)
Uncertainty K <sub>pA</sub> : .....	3 dB(A)
Sound power level L <sub>WA</sub> : .....	92.5 dB(A)
Uncertainty K <sub>WA</sub> : .....	1.8 dB(A)
Guaranteed sound power level L <sub>WA</sub> : .....	95 dB(A)
Vibration at the handlebars ah: .....	2.19 m/s <sup>2</sup>
Uncertainty K: .....	1.5 m/s <sup>2</sup>
Cutting height adjustment: .....	6-step
.....	30-65 mm
Protection type: .....	IPX1

### 2x Power-X-Change 4,0 battery

Voltage: .....	18 V d.c.
Capacity: .....	4.0 Ah
..... (optional Battery Power-X-Change 5.2 Ah)	
Number of cells: .....	10

### 2x charger

Input voltage: .....	200-250 V~ 50-60 Hz
Output voltage: .....	21 V d.c.
Output current: .....	3.0 A
Protection class: .....	II / 

Sound and vibration values were measured in accordance with the standards EN ISO 3744:1995, ISO 11094: 1991 and EN ISO 20643:2008.

### Keep the noise emissions and vibrations to a minimum.

- Only use appliances which are in perfect working order.
- Service and clean the appliance regularly.
- Adapt your working style to suit the appliance.
- Do not overload the appliance.
- Have the appliance serviced whenever necessary.
- Switch the appliance off when it is not in use.
- Wear protective gloves.

### Residual risks

**Even if you use this electric power tool in accordance with the instructions, certain residual risks cannot be eliminated. The following hazards may arise in connection with**

### the equipment's construction and layout:

1. Lung damage if no suitable protective dust mask is used.
2. Damage to hearing if no suitable ear protection is applied.

### Warning!

**This equipment generates an electromagnetic field during operation. Under certain circumstances this field may actively or passively impede medical implants. To reduce the risk of serious or fatal injuries, we recommend persons with medical implants to consult their doctor and the manufacturer of the medical implant prior to using the equipment.**

## 5. Before using the equipment

The lawn mower is delivered partly assembled. The push bar and the grass basket must be assembled before using the lawn mower. Follow the instructions step by step and refer to the pictures when assembling.

### Fitting the push bar (Fig. 3 to 6)

Insert the push bar holder (Fig. 2/Item 3) into the handlebar mount and secure with the fastening screw and nut (Fig. 4/5).

The top push bar (Fig. 1/Item 2) must be pushed onto the push bar holders (Fig. 2/Item 3) and secured as shown above in Fig. 6. Then fasten the cable to the push bar by the cable clips (Item 13). The push bar can be adjusted to 3 different height settings. To adjust the height, undo the fastening nuts (Item 10) and move the bar into the required lock (Fig. 3 to 6).

### Warning!

Always set the identical handle height on both sides.

- Use the cable clips to align the cable with the long handle (Fig. 5/Item 13).

### Fitting the grass basket (see Fig. 7)

Before you fit the grass basket you must ensure that the motor is switched off and the blade is not rotating. Also pull out the safety plug (12) and remove all the power batteries (16). Lift the ejector flap (Fig. 7/Item 7) with one hand. With the other hand, hold the grass basket by the handle and hook it in from above (Fig. 7).

**Filling level indicator of the grass collector (fig. 16)**

The grass collector is equipped with a filling level indicator (Fig. 2/Item 15), which is lifted by the airflow that the lawn mower generates during operation. If this drops down onto the grass catch basket during mowing, this means that the grass collector is full and needs emptying.

**Adjusting the cutting height****Caution!**

Adjust the cutting height only when the machine has been switched off, the safety plug (12) has been pulled out and the batteries (16) removed.

Before you begin to mow, check to ensure that the blade is not blunt and that none of the fasteners are damaged. To prevent any imbalance, replace blunt and/or damaged blades. To carry out this check, first switch off the motor and pull out the safety plug.

**Warning!**

Adjust the cutting height only when the machine has been switched off, the safety plug (12) has been pulled out and the batteries (16) removed.

**The cutting height is adjusted as follows (see Fig. 11):**

1. Push the lever (6) outwards.
2. Set the lever (6) to the desired cutting height.
3. Release the lever (6) and check that it is securely seated in the lock.

**Using the mulching adapter (Fig. 8a)**

In mulching mode the cuttings are shredded in the enclosed mower housing and then spread back onto the lawn. It is not necessary to gather and dispose of the grass.

**Important! Mulching is only possible if the lawn is relatively short.****Warning!**

Insert the mulching blade only when the machine has been switched off, the safety plug (12) has been pulled out and the batteries (16) removed.

To use the mulching function, disconnect the catch bag, slide the mulching adaptor (Fig. 5d/Item 18) through the ejector opening and close the ejector flap again.

**Side ejector (Fig. 8b)**

You must fit the mulching adapter (18) in order to use the side ejector. Hook in the side ejector adapter (19) as shown in Fig. 8b.

**Charging the battery (Fig. 14)**

1. Take the battery pack out of the equipment. Do this by pressing the pushlock button.
2. Check that your mains voltage is the same as that marked on the rating plate of the battery charger. Insert the power plug of the charger (17) into the socket outlet. The green LED will then begin to flash.
3. Insert the battery pack (16) into the battery charger (17).
4. In the section entitled „Charger indicator“ you will find a table with an explanation of the LED indicator on the charger.

The battery pack can become a little warm during the charging. This is normal.

**If the battery pack fails to charge, check:**

- whether there is voltage at the socket outlet
- whether there is good contact at the charging contacts.

If the battery pack still fails to charge, send

- the charging unit
  - and the battery pack
- to our customer service center.

To ensure that the battery pack provides long service, you should take care to recharge it promptly. You must recharge the battery pack when you notice that the performance of the device drops. Never allow the battery pack to become fully discharged. This will cause it to develop a defect!

**Installing the battery (Fig. 15)**

Open the battery cover (Item 4). Then insert the batteries in the mounts as shown in Fig. 15.

For optimum mowing results and battery power performance it is always best to use batteries with the same capacity of 3.0 Ah or higher. There is also the option of using batteries with different capacities in the two battery mounts A and B (Fig. 2) which are opposite each other. Always make sure, however, that you only use batteries of the same capacity in each separate battery bank.

For example, you could use 2 x 4.0Ah batteries in one battery bank while using 2 x 3.0Ah batteries in the opposite battery bank.

#### **Important!**

Use only batteries which are charged to the same level. Never combine full and half-full batteries. Always charge the two/all batteries simultaneously. The equipment's operating time depends on the battery with the lower charge level. The two/all batteries must always be fully charged before use. Close the battery cover by swinging it down, and make sure that it latches in place correctly.

Battery capacity indicator (Fig. 13)  
Press the switch for the battery capacity indicator (Fig. 13/Item A). The battery capacity indicator (Fig. 13/Item B) shows the charge status of the battery using 3 LEDs.

#### **All 3 LEDs are lit:**

The battery is fully charged.

#### **2 or 1 LED(s) are lit:**

The battery has an adequate remaining charge.

#### **1 LED blinks:**

The battery is empty, recharge the battery.

#### **All LEDs flash:**

The battery pack has undergone exhaustive discharge and is defective. Do not use or charge a defective battery pack!

#### **Caution!**

Do not park the lawn mower in the sun. Batteries which have been inserted could heat up to inadmissible levels.

## **6. Operation**

#### **Caution!**

The lawn mower is equipped with a safety switch to prevent unauthorized use. Directly before starting up the lawn mower insert the safety plug (Fig. 10) and remove the safety plug again when interrupting or terminating your work.

#### **Important!**

For safety reasons, it is not possible to start the cordless lawn mower if the pitch angle is over  $\sim 60^\circ$ .

#### **Caution!**

To prevent the equipment switching on accidentally, the lawn mower is equipped with a safety switch (Fig. 10/Item 8) which must be pressed before the switching bar (Fig. 9/Item 1) can be activated. The lawn mower switches itself off when the switching bar is released. The start time can amount to several seconds (To make it easier to start, tilt the lawn mower slightly at the back (Fig. 18)). The speed will drop after a few seconds when in idle mode and will rise again after a few seconds when in working mode. Repeat this process several times so that you are sure that the machine functions properly. Before you perform any repair or maintenance work on the equipment, ensure that the blade is not rotating, that the safety plug (12) is disconnected and that the batteries (16) have been removed.

**Warning!** Never open the chute flap when the grass bag has been detached (to be emptied) and the engine is still running. A rotating blade can cause serious injuries!

Always carefully fasten the chute flap and grass basket. Before you remove them, switch off the motor and pull out the safety plug (12) first.

Always ensure that a safe distance (provided by the length of the long handles) is maintained between the user and the mower housing. Be especially careful when mowing and changing direction on slopes and inclines. Maintain a solid footing and wear sturdy, non-slip footwear and long trousers.

Always mow along the incline (not up and down). For safety reasons, the lawn mower may not be used to mow inclines whose gradient exceeds 15 degrees.

Use special caution when backing up and pulling the lawn mower. Tripping hazard!

#### **Tips for proper mowing**

##### **It is recommended that you overlap the mowing swaths.**

Only use a sharp blade that is in good condition. This will prevent the grass blades from fraying and the lawn from turning yellow.

Try to mow in straight lines for a nice, clean look. The swaths should overlap each other by a few centimeters in order to avoid stripes.

How frequently you should mow your lawn is determined primarily by the speed at which the grass grows. In the main growing season (May

- June) you will probably need to mow the lawn twice a week, otherwise just once a week. The cutting height should be between 4 - 6 cm and the amount of growth before mowing again should be 4 - 5 cm. Normal grass which has grown to a height of up to 8cm can be mown to the desired height in one go without any problems. If the grass is allowed to grow somewhat longer for whatever reason, do not make the mistake of cutting it back to the normal height in one go. This will harm the lawn. For grass which has grown to over 10 cm in height we therefore recommend that you mow it with the highest cutting height setting first.

Important!

The cutting height setting has an influence on the maximum area that can be mown.

Keep the underside of the mower housing clean and remove grass build-up. Deposits not only make it more difficult to start the mower; they decrease the quality of the cut and make it harder for the equipment to bag the grass.

Always mow along inclines (not up and down). You can prevent the lawn mower from slipping down by holding a position at an angle upwards. Select the cutting height according to the length of the grass. Make several passes so that no more than 4cm of grass are cut at one time.

Switch off the motor, pull the safety plug (12) and remove the batteries (16) before doing any checks on the blade. Keep in mind that the blade continues to rotate for a few seconds after the motor has been switched off. Never attempt to manually stop the blade. Regularly check to see if the blade is securely attached, is in good condition and is sharp. If the contrary is the case, sharpen the blade or replace it. In the event that the blade strikes an object, immediately switch off the lawn mower and wait for the blade to come to a complete stop. Then inspect the condition of the blade and the blade mount. Replace any parts that are damaged.

As soon as grass clippings start to trail the lawn mower, it is time to empty the grass basket. Caution! Before taking off the grass basket, switch off the motor and wait until the blade has come to a stop. Pull out the safety plug (12).

To take off the grass basket, use one hand to lift up the chute flap and the other to grab onto the basket handle. Remove the basket. For safety reasons, the chute flap automatically falls down

after removing the grass basket and closes off the rear chute opening. If any grass remains in the opening, it will be easier to restart the engine if you pull the mower back approximately 1m.

Do not use your hands or feet to remove clippings in or on the mower housing, but instead use suitable tools such as a brush or a hand broom.

In order to ensure that the majority of grass clippings are picked up, the inside of the grass basket must be cleaned after each use.

Reattach the catch bag only when the motor is switched off, the safety plug has been pulled out and the blade has stopped.

Lift up the chute flap with one hand and, holding the grass basket by its handle with the other hand, hang in the basket from the top.

#### Caution!

The lawn mower is equipped with a safety circuit to prevent unauthorized use. Directly before starting up the lawn mower insert the safety plug (Fig. 12d) and remove the safety plug again whenever you interrupt or terminate your work.

#### Caution!

To prevent the equipment switching on accidentally, the lawn mower is equipped with a safety switch (Fig. 14/Item 8) which must be pressed before the switching bar (Fig. 14/Item 1) can be activated. The lawn mower switches itself off when the switching bar is released. The start time can amount to several seconds. The speed will drop after a few seconds when in idle mode and will rise again after a few second when in working mode. The lawn mower switches itself off when the switching bar is released. Repeat this process several times so that you are sure that the machine functions properly. Before you perform any repair or maintenance work on the equipment, ensure that the blade is not rotating and that the power supply is disconnected.

**Caution! Never open the chute flap when the grass bag has been detached (to be emptied) and the motor is still running. A rotating blade can cause serious injuries!**

Always carefully fasten the chute flap and grass basket. Switch off the engine before emptying the grass basket.



Always ensure that a safe distance (provided by the length of the long handles) is maintained between the user and the mower housing. Be especially careful when mowing and changing direction on slopes and inclines. Maintain a solid footing and wear sturdy, non-slip footwear and long trousers.

Always mow along the incline (not up and down). For safety reasons, the lawn mower may not be used to mow inclines whose gradient exceeds 15 degrees.

Use special caution when backing up and pulling the lawn mower. Tripping hazard!

#### **Tips for proper mowing**

It is recommended that you overlap the mowing swaths.

Only use a sharp blade that is in good condition. This will prevent the grass blades from fraying and the lawn from turning yellow.

Try to mow in straight lines for a nice, clean look. The swaths should overlap each other by a few centimeters in order to avoid stripes.

How frequently you should mow your lawn is determined primarily by the speed at which the grass grows. In the main growing season (May - June) you will probably need to mow the lawn twice a week, otherwise just once a week. The cutting height should be between 4 - 6cm and the amount of growth before mowing again should be 4 - 5cm. If the grass is allowed to grow somewhat longer for whatever reason, do not make the mistake of cutting it back to the normal height in one go. This will harm the lawn. Never cut it back by more than half the height in one go. Keep the underside of the mower housing clean and remove grass build-up. Deposits not only make it more difficult to start the mower; they decrease the quality of the cut and make it harder for the equipment to bag the grass.

Always mow along inclines (not up and down). You can prevent the lawn mower from slipping down by holding a position at an angle upwards.

Select the cutting height according to the length of the grass. Make several passes so that no more than 4cm of grass are cut at one time. Switch off the motor before doing any checks on the blade. Keep in mind that the blade continues to rotate for a few seconds after the motor has been switched off. Never attempt to manually stop the blade. Regularly check to see if the

blade is securely attached, is in good condition and is sharp. If the contrary is the case, sharpen the blade or replace it. In the event that the blade strikes an object, immediately switch off the lawn mower and wait for the blade to come to a complete stop. Then inspect the condition of the blade and the blade mount. Replace any parts that are damaged.

As soon as grass clippings start to trail the lawn mower, it is time to empty the grass basket. Important! Before taking off the grass basket, switch off the motor and wait until the blade has come to a stop.

To take off the grass basket, use one hand to lift up the chute flap and the other to grab onto the basket handle. Remove the basket. For safety reasons, the chute flap automatically falls down after removing the grass basket and closes off the rear chute opening. If any grass remains in the opening, it will be easier to restart the engine if you pull the mower back approximately 1m.

Do not use your hands or feet to remove clippings in or on the mower housing, but instead use suitable tools such as a brush or a hand broom.

In order to ensure that the majority of grass clippings are picked up, the inside of the grass basket must be cleaned after each use.

Reattach the grass basket only when the motor is switched off and the blade has stopped.

Lift up the chute flap with one hand and, holding the grass basket by its handle with the other hand, hang in the basket from the top.

## 7. Cleaning, maintenance and ordering of spare parts

### Hazard!

Pull out the safety plug and remove all the battery packs (16) before starting any cleaning work (Fig. 10/Item 8, Fig. 20).

### 7.1 Cleaning

- To make it easy to clean, fold down the push bar and move the equipment into the cleaning position. (Fig. 17)
- Keep all safety devices, air vents and the motor housing free of dirt and dust as far as possible. Wipe the equipment with a clean cloth or blow it down with compressed air at low pressure.
- Do not clean the lawn mower with running water, particularly with high-pressure water.
- We recommend cleaning the equipment immediately each time after use.
- Clean the equipment regularly with a damp cloth and some soft soap. Do not use cleaning agents or solvents; these may be aggressive to the plastic parts in the equipment. Ensure that no water can get into the interior of the equipment.
- For best results, clean the lawn mower with the provided spatula and with a brush or rag.

### 7.2 Maintenance

- Worn out or damaged blades, blade mounts, and bolts should be replaced as a set by an authorized professional in order to keep the equipment in balance.
- Ensure that all mounting components (i.e. screws, bolts, nuts etc.) are always tightened so that the equipment can be safely operated at all times.
- Check the grass catch assembly frequently for signs of wear.
- Replace excessively worn or damaged parts immediately.
- In order to ensure that you enjoy the equipment for many years to come, all screwed parts, as well as the wheels and axles, should be cleaned and lubricated.
- Keeping your lawn mower in good condition not only ensures a long lifespan and high performance, but also enables the equipment to thoroughly cut your grass with minimal effort.
- The blade is subjected to more wear and tear than any other component. Therefore, routinely check the condition of the blade

and make sure that it is tightly fastened. If the blade is completely worn out, it must be immediately replaced or ground sharp again. An excessively vibrating mower means that the blade is not properly balanced or has become deformed from striking an object. In this case, the blade must be repaired or replaced.

- There are no other parts inside the equipment which require maintenance.

### 7.3 Replacing the blade

For safety reasons, we recommend having the blade replaced by an authorized professional. Caution! Pull out the safety plug and remove the battery packs (16)! Wear work gloves! Only replace the blade with a genuine Einhell replacement blade, as this will ensure top performance and safety under all conditions.

#### Carry out the following steps to change the blade:

1. Undo the fastening screw (see Fig. 12).
2. Remove the blade and replace with a new one.
3. When fitting the blade, make sure it is installed in the right direction. The blade's air vanes must project into the motor compartment (see Fig. 12). The dome mounts must be aligned with the punch holes in the blade. (see Fig. 12).
4. Then retighten the fastening screw. The tightening torque should be approx. 25 Nm. At the end of the season, perform a general inspection of the lawn mower and remove any grass and dirt which may have accumulated. At the start of each season, ensure that you check the condition of the blade. If repairs are necessary, please contact our customer service center. Use only genuine spare parts.

### 7.4 Ordering replacement parts:

Please quote the following data when ordering replacement parts:

- Type of machine
- Article number of the machine
- Identification number of the machine
- Replacement part number of the part required

For our latest prices and information please go to [www.isc-gmbh.info](http://www.isc-gmbh.info)

Spare blade Art. No.: 34.054.55

## 8. Storage and transport

### Storage

Store the equipment and accessories out of children's reach in a dark and dry place at above freezing temperature. The ideal storage temperature is between 5 and 30 °C. Store the machine in its original packaging.

### Transportation

- Switch the machine off and pull out the safety plug before transporting it.
- Fit the shipping protectors, if any.
- Protect the machine from damage and the strong vibrations that can occur particularly when transporting in vehicles.
- Secure the machine against slipping and tipping over

## 9. Disposal and recycling

The equipment is supplied in packaging to prevent it from being damaged in transit. The raw materials in this packaging can be reused or recycled. The equipment and its accessories are made of various types of material, such as metal and plastic. Never place defective equipment in your household refuse. The equipment should be taken to a suitable collection center for proper disposal. If you do not know the whereabouts of such a collection point, you should ask in your local council offices.

## 10. Charger indicator

Indicator status		Explanations and actions
Red LED	Green LED	
Off	Flashing	<p><b>Ready for use</b> The charger is connected to the mains and is ready for use; there is no battery pack in the charger</p>
On	Off	<p><b>Charging</b> The charger is charging the battery pack in quick charge mode.</p>
Off	On	<p>The battery is 85% charged and ready for use. (Charging time for 1.5 Ah battery: 30 min) (Charging time for 3.0 Ah battery: 60 min) (Charging time for 4.0 Ah battery: 80 min) (Charging time for 5.2 Ah battery: 130 min) The unit then changes over to gentle charging mode until the battery is fully charged. (Total charging time for 1.5 Ah battery: approx. 40 min) (Total charging time for 3.0 Ah battery: approx. 75 min) (Total charging time for 4.0 Ah battery: approx. 100 min) (Total charging time for 5.2 Ah battery: approx. 140 min) <b>Action:</b> Take the battery pack out of the charger. Disconnect the charger from the mains supply.</p>
Flashing	Off	<p><b>Adapted charging</b> The charger is in gentle charging mode. For safety reasons the charging is performed less quickly and takes more than 1 hour. The reasons can be: - The battery pack has not been used for a very long time or an already flat battery was further discharged (exhaustive discharge). - The battery pack temperature is outside the ideal range (between 10° C and 45° C). <b>Action:</b> Wait for the charging to be completed; you can still continue to charge the battery pack.</p>
Flashing	Flashing	<p><b>Fault</b> Charging is no longer possible. The battery pack is defective. <b>Action:</b> Never charge a defective battery pack. Take the battery pack out of the charger.</p>
On	On	<p><b>Temperature fault</b> The battery pack is too hot (e.g. due to direct sunshine) or too cold (below 0° C). <b>Action:</b> Remove the battery pack and keep it at room temperature (approx. 20° C) for one day .</p>

## 11. Troubleshooting

Fault	Possible Cause	Remedy
Motor does not start	<ul style="list-style-type: none"> <li>a) Motor terminals disconnected</li> <li>b) Machine standing in high grass</li> <li>c) The mower housing is clogged</li> <li>d) Safety plug is not inserted</li> <li>e) Battery is not correctly inserted</li> </ul>	<ul style="list-style-type: none"> <li>a) Have it checked by a customer service workshop</li> <li>b) Start motor on shorter grass or already mowed area; change cutting height if necessary</li> <li>c) Clean housing so that the blade can run freely</li> <li>d) Insert the safety plug (see 6.)</li> <li>e) Remove the battery and reinsert (see 5.)</li> </ul>
Motor performance drops	<ul style="list-style-type: none"> <li>a) Grass too tall or damp</li> <li>b) The mower housing is clogged</li> <li>c) Blade badly worn</li> <li>d) Battery performance decreasing</li> </ul>	<ul style="list-style-type: none"> <li>a) Correct the cutting height</li> <li>b) Clean the housing</li> <li>c) Replace the blade</li> <li>d) Check the battery performance and charge the battery if necessary (see 5.)</li> </ul>
Unclean cuts	<ul style="list-style-type: none"> <li>a) Blade worn</li> <li>b) Wrong cutting height</li> </ul>	<ul style="list-style-type: none"> <li>a) Replace or sharpen the blade</li> <li>b) Correct the cutting depth</li> </ul>

**Important! In order to secure the engine and the batteries, these are equipped with a thermal switch, which switches off when overloaded and automatically switches on again after a cooling phase!**



For EU countries only

Never place any electric power tools in your household refuse.

To comply with European Directive 2012/19/EC concerning old electric and electronic equipment and its implementation in national laws, old electric power tools have to be separated from other waste and disposed of in an environment-friendly fashion, e.g. by taking to a recycling depot.

Recycling alternative to the return request:

As an alternative to returning the equipment to the manufacturer, the owner of the electrical equipment must make sure that the equipment is properly disposed of if he no longer wants to keep the equipment. The old equipment can be returned to a suitable collection point that will dispose of the equipment in accordance with the national recycling and waste disposal regulations. This does not apply to any accessories or aids without electrical components supplied with the old equipment.

The reprinting or reproduction by any other means, in whole or in part, of documentation and papers accompanying products is permitted only with the express consent of the iSC GmbH.

Subject to technical changes

This consignment contains lithium-ion batteries.

In accordance with special provision 188 this consignment is not subject to the ADR regulations. Handle with care. Danger of ignition in case of damage to the consignment package. If the consignment package is damaged: Check and if necessary repackage. For further information contact: 0049 1807 10 20 20 66 (fixed network 14 ct/min, mobile phone max. 42 ct/min) Outside Germany charges will apply instead for a regular call to a landline number in Germany.

## Service information

We have competent service partners in all countries named on the guarantee certificate whose contact details can also be found on the guarantee certificate. These partners will help you with all service requests such as repairs, spare and wearing part orders or the purchase of consumables.

Please note that the following parts of this product are subject to normal or natural wear and that the following parts are therefore also required for use as consumables.

Category	Example
Wear parts*	Carbon brushes, Battery
Consumables*	Blade
Missing parts	

\* Not necessarily included in the scope of delivery!

In the event of defects or faults, please register the problem on the internet at [www.isc-gmbh.info](http://www.isc-gmbh.info). Please ensure that you provide a precise description of the problem and answer the following questions in all cases:

- Did the equipment work at all or was it defective from the beginning?
- Did you notice anything (symptom or defect) prior to the failure?
- What malfunction does the equipment have in your opinion (main symptom)?  
Describe this malfunction.

## Warranty certificate

Dear Customer,

All of our products undergo strict quality checks to ensure that they reach you in perfect condition. In the unlikely event that your device develops a fault, please contact our service department at the address shown on this guarantee card. You can also contact us by telephone using the service number shown. Please note the following terms under which guarantee claims can be made:

1. These guarantee terms apply to consumers only, i.e. natural persons intending to use this product neither for their commercial activities nor for any other self-employed activities. These warranty terms regulate additional warranty services, which the manufacturer mentioned below promises to buyers of its new products in addition to their statutory rights of guarantee. Your statutory guarantee claims are not affected by this guarantee. Our guarantee is free of charge to you.
2. The warranty services cover only defects due to material or manufacturing faults on a product which you have bought from the manufacturer mentioned below and are limited to either the rectification of said defects on the product or the replacement of the product, whichever we prefer.  
Please note that our devices are not designed for use in commercial, trade or professional applications. A guarantee contract will not be created if the device has been used by commercial, trade or industrial business or has been exposed to similar stresses during the guarantee period.
3. The following are not covered by our guarantee:
  - Damage to the device caused by a failure to follow the assembly instructions or due to incorrect installation, a failure to follow the operating instructions (for example connecting it to an incorrect mains voltage or current type) or a failure to follow the maintenance and safety instructions or by exposing the device to abnormal environmental conditions or by lack of care and maintenance.
  - Damage to the device caused by abuse or incorrect use (for example overloading the device or the use of unapproved tools or accessories), ingress of foreign bodies into the device (such as sand, stones or dust, transport damage), the use of force or damage caused by external forces (for example by dropping it).
  - Damage to the device or parts of the device caused by normal or natural wear or tear or by normal use of the device.
4. The guarantee is valid for a period of 5 years starting from the purchase date of the device. Guarantee claims should be submitted before the end of the guarantee period within two weeks of the defect being noticed. No guarantee claims will be accepted after the end of the guarantee period. The original guarantee period remains applicable to the device even if repairs are carried out or parts are replaced. In such cases, the work performed or parts fitted will not result in an extension of the guarantee period, and no new guarantee will become active for the work performed or parts fitted. This also applies if an on-site service is used.
5. To make a claim under the guarantee, please register the defective device at: [www.isc-gmbh.info](http://www.isc-gmbh.info). Please keep your bill of purchase or other proof of purchase for the new device. Devices that are returned without proof of purchase or without a rating plate shall not be covered by the guarantee, because appropriate identification will not be possible. If the defect is covered by our guarantee, then the item in question will either be repaired immediately and returned to you or we will send you a new replacement.

Of course, we are also happy offer a chargeable repair service for any defects which are not covered by the scope of this guarantee or for units which are no longer covered. To take advantage of this service, please send the device to our service address.

Also refer to the restrictions of this warranty concerning wear parts, consumables and missing parts as set out in the service information in these operating instructions.



**Konformitätserklärung**

- D** erklärt folgende Konformität gemäß EU-Richtlinie und Normen für Artikel
- GB** explains the following conformity according to EU directives and norms for the following product
- F** déclare la conformité suivante selon la directive CE et les normes concernant l'article
- I** dichiara la seguente conformità secondo la direttiva UE e le norme per l'articolo
- NL** verklaart de volgende overeenstemming conform EU richtlijn en normen voor het product
- E** declara la siguiente conformidad a tenor de la directiva y normas de la UE para el artículo
- P** declara a seguinte conformidade, de acordo com as diretiva CE e normas para o artigo
- DK** atterer følgende overensstemmelse i medfør af EU-direktiv samt standarder for artikel
- S** förklarar följande överensstämmelse enl. EU-direktiv och standarder för artikeln
- FIN** vakuuttaa, että tuote täyttää EU-direktiivin ja standardien vaatimukset
- EE** tõendab toote vastavust EL direktiivile ja standarditele
- CZ** vydává následující prohlášení o shodě podle směrnice EU a norem pro výrobek
- SLO** potrjuje sledečo skladnost s smernico EU in standardi za izdelek
- SK** vydáva nasledujúce prehlásenie o zhode podľa smernice EÚ a noriem pre výrobok
- H** a cikkekhez az EU-irányvonal és Normák szerint a következő konformitást jelenti ki
- PL** deklaruje zgodność wymienionego ponizej artykułu z następującymi normami na podstawie dyrektywy WE.
- BG** декларира съответното съответствие съгласно Директива на ЕС и норми за артикул
- LV** paskaidro šādu atbilstību ES direktīvai un standartiem
- LT** apibūdina šį atitikimą EU reikalavimams ir prekės normoms
- RO** declară următoarea conformitate conform directivei UE și normelor pentru articolul
- GR** δηλώνει την ακόλουθη συμμόρφωση σύμφωνα με την Οδηγία ΕΚ και τα πρότυπα για το προϊόν
- HR** potvrđuje sljedeću usklađenost prema smjernicama EU i normama za artikl
- BIH** potvrđuje sljedeću usklađenost prema smjernicama EU i normama za artikl
- RS** potvrđuje sledeću usklađenost prema smernicama EZ i normama za artikal
- RUS** следующим удостоверяется, что следующие продукты соответствуют директивам и нормам ЕС
- UKR** проголошує про зазначену нижче відповідність виробу директивам та стандартам ЄС на виріб
- MK** ja izjavува следната сообразност согласно EУ-директивата и нормите за артикли
- TR** Ürünü ile ilgili AB direktifleri ve normları gereğince aşağıda açıklanan uygunluğu belirtir
- N** erklærer følgende samsvar i henhold til EU-direktivet og standarder for artikkel
- IS** Lýsir uppfyllingu EУ-reglna og annarra staðla vöru

**Cordless Lawn Mower PXCSDMK-418U (Ozito)**

- 2014/29/EU
- 2005/32/EC\_2009/125/EC
- 2014/35/EU
- 2006/28/EC
- 2014/30/EU
- 2014/32/EU
- 2014/53/EU
- 2014/68/EU
- (EU)2016/426  
Notified Body:
- (EU)2016/425
- 2011/65/EU\_(EU)2015/863
- 2006/42/EC
- Annex IV  
Notified Body:  
Reg. No.:
- 2000/14/EC\_2005/88/EC
- Annex V
- Annex VI  
Noise: measured L<sub>WA</sub> = 92.5 dB (A); guaranteed L<sub>WA</sub> = 95 dB (A)  
P = KW; L/Ø = 47 cm  
Notified Body: TÜV SÜD Industrie GmbH, Westendstrasse 199,  
80686 München (0036)
- 2012/46/EU\_(EU)2016/1628  
Emission No.:

**Standard references: EN 60335-1; EN 60335-2-29; EN 60335-2-77; EN 62233; EN 55014-1; EN 55014-2; EN 61000-3-2; EN 61000-3-3; EN 62321**

Landau/Isar, den 31.07.2019

Andreas Weichselgartner/General-Manager

Hoss Zhang/Product-Manager/ent

First CE: 19  
Art.-No.: 34.131.62 I.-No.: 11019  
Subject to change without notice

Archive-File/Record: NAPR021921  
Documents registrar: Felix Hofner  
Wiesenweg 22, D-94405 Landau/Isar



A series of horizontal lines for writing, starting from the second line below the pencil and continuing down to the bottom of the page.



A series of horizontal lines for writing, starting from the top right and extending down to the bottom of the page.



EH 08/2019 (01)

