



User Manual

Spend a little Live a lot.



Portable Compressor

WZK 183



Translation of
the original instructions



QR codes take you where you want to go quickly and easily

Whether you require **product information**, **spare parts** or **accessories**, details on **warranties** or **aftersales services**, or if you want to watch a **product demonstration video**, our QR codes will take you there in no time at all.

What is a QR code?

A QR code (QR = Quick Response) is a type of matrix that can be read with a smartphone camera and that contains a link to a website or contact details, for example.

Advantage: You do not need to manually enter a website address or contact details.

This is how it works

To scan the QR code, all you need is a smartphone with QR code reader software and an internet connection*. This type of software can be downloaded for free from your app store.

Try it out now

Just scan the QR code with your smartphone and find out more about the Aldi product you have purchased.*

Your Aldi Service Portal

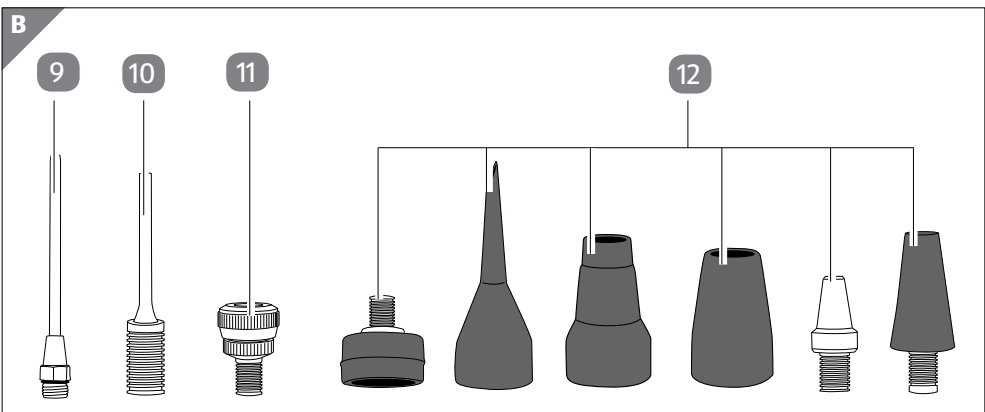
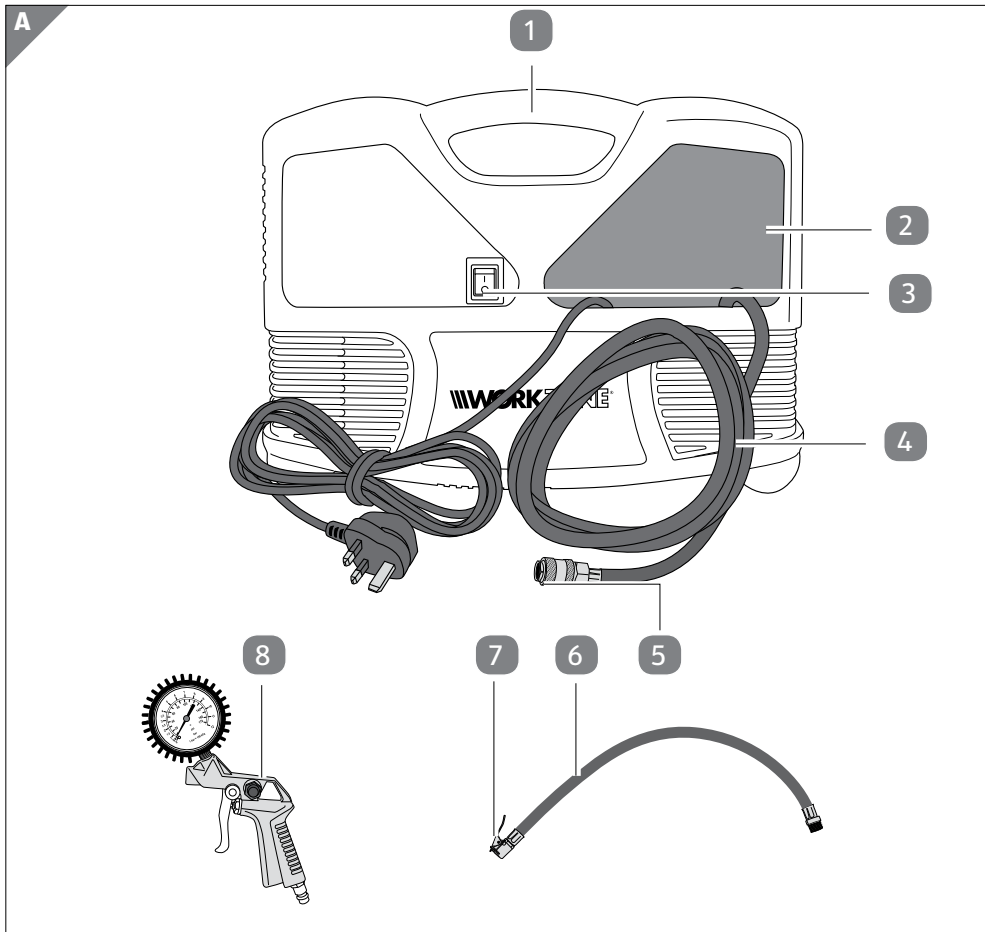
All details mentioned above can also be found in the Aldi Service Portal at www.aldi.co.uk.

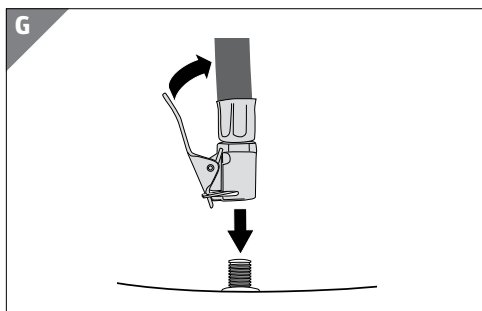
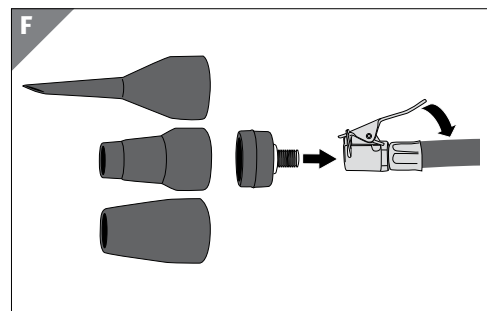
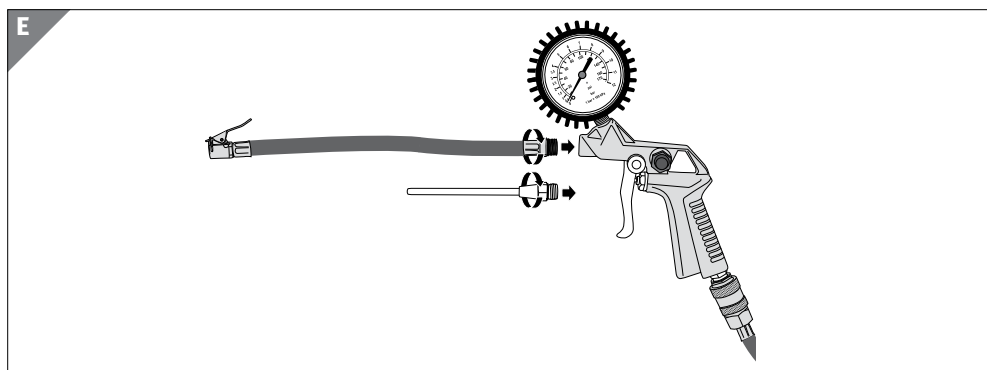
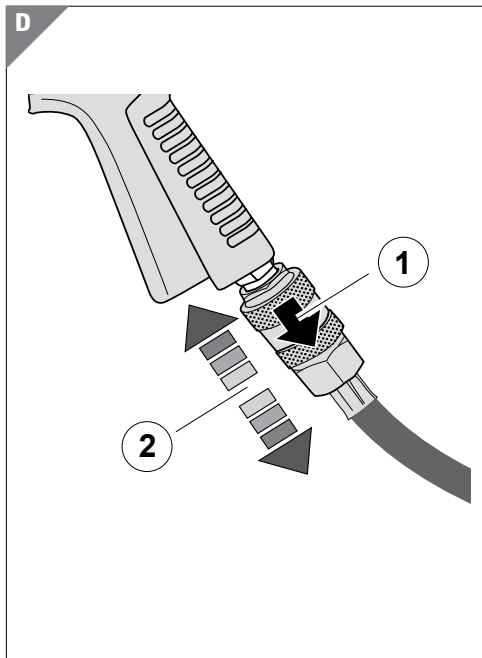
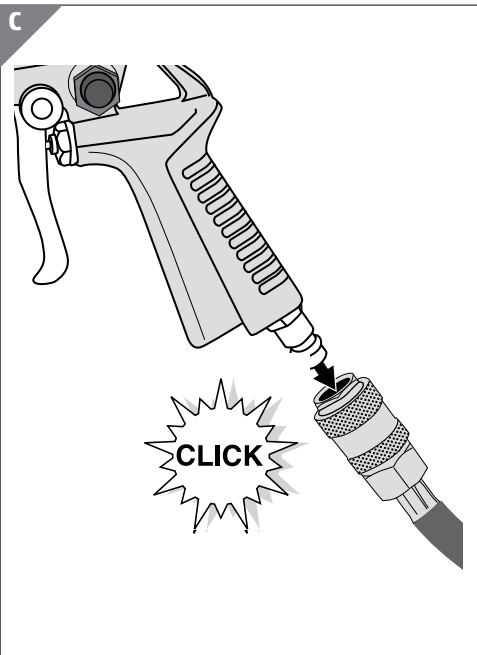


* Depending on your tariff plan you may be charged for the connection.

Contents

Overview	4
Use.....	5
Scope of delivery/device parts	6
General information	7
Reading and storing the instruction manual	7
Explanation of symbols	7
Safety.....	8
Proper use.....	8
Safety notes.....	9
Preparation	11
Checking the compressor and product contents.....	11
Setting up the compressor	12
Connecting the compressor	12
Preparing the adapter.....	13
Use.....	15
Supplying articles with compressed air.....	16
Using the blow-out adapter.....	17
Using the vent valve.....	17
Cleaning.....	17
Storage and transport.....	18
Troubleshooting	19
Technical data	21
Disposal	22
Disposing of the packaging.....	22
Disposing of old appliances.....	22
Declaration of conformity	23
Warranty	25
Warranty Card	25
Warranty conditions.....	26





Scope of delivery/device parts

- 1 Handle
- 2 Storage compartment
- 3 On/Off switch
- 4 Compressed air hose (with quick coupling)
- 5 Sleeve of the quick coupling
- 6 Connecting hose
- 7 Quick release fastener
- 8 Tyre fill gauge (including pressure gauge, trigger and vent valve)
- 9 Blow-out adapter
- 10 Adapter for Dunlop valves (for bike tyres)
- 11 Adapter for ball valves
- 12 Adapter for pool, air mattress and similar valves

General information

Reading and storing the instruction manual



This instruction manual accompanies this compressor. It contains important information on how to set up and handle the device.

Before using the compressor, read the instruction manual carefully. This particularly applies for the safety notes. Failure to heed this instruction manual may result in severe injury or damage to the compressor.

The instruction manual is based on the standards and rules in force in the European Union. When abroad, you must also observe country-specific guidelines and laws!

Store the instruction manual for future use. If you pass the compressor on to third parties, please be absolutely sure to include this instruction manual.

Explanation of symbols

The following symbols and signal words are used in this instruction manual, on the compressor or on the packaging.



WARNING! This signal word advises of a moderate risk, which may result in death or severe injury if not avoided.



CAUTION! This signal word advises of a low risk, which may result in minor or moderate injury if not avoided.



NOTE! This signal word warns of possible damage to property or provides you with useful additional information regarding assembly or operation.



Declaration of conformity (see chapter “Declaration of conformity”): Products marked with this symbol fulfil the requirements of the CE directive.



The compressor complies with protection class 2.



The compressor is covered by a 36-month warranty.



Carefully read through the instruction manual before you use the compressor.



Warning of electrical voltage



The surfaces of the compressor may heat up during operation. Do not touch the housing with bare hands, except for the On/Off switch.



If you use the compressor, the loud operating noises could hurt your ears. Noise may cause hearing loss. Protect yourself by wearing suitable ear protection.



The guaranteed sound power level L_{WA} is 97 dB.



Danger of explosion



The certified safety seal (GS mark) certifies that a product meets the requirements of the German Product Safety Act (ProdSG). The GS mark indicates that the safety and health of persons will not be jeopardised if used in a proper or foreseeable manner. This is a voluntary safety mark.

Safety

Proper use

The compressor is exclusively designed for supplying car and bike tyres, balls, pools, air mattresses and similar articles with compressed air. You can also blow out many different articles and clean their surfaces with the blow gun. The compressor is only intended for private use and not suitable for commercial purposes.

Only use the compressor as described in this instruction manual. Any other use is deemed improper and may result in damage to property or even personal injury. The compressor is not a children's toy.

The manufacturer or vendor accepts no liability for damage caused by improper or incorrect use.

Safety notes

Attention! When using this compressor, the following safety measures must be taken in order to provide protection against electric shocks, risks of injury and fire. Read and take note of these instructions before you use the device.

This device is not intended to be used by persons (including children) with impaired physical, sensory or mental abilities or who lack experience and/or knowledge unless they are supervised by a person responsible for their safety or have been instructed by such a person on how to use the device. Supervise children to make sure that they do not play with the device.

1. **Keep your work area orderly!**

- Disorganisation in the work area poses a risk of accident.

2. **Take any environmental factors into account!**

- Do not expose the compressor to rain. Do not operate the compressor in wet or damp rooms. Ensure good lighting. Do not use the compressor in the vicinity of flammable liquids or gases.

3. **Protect yourself against electrical shock!**

- Avoid physical contact with grounded parts such as pipes, radiators, stoves and refrigerators.

4. **Keep children away!**

- Ensure that other persons do not touch the compressor or the cable; keep them away from your work area.

5. **Store your compressor in a safe area!**

- Store the unused compressor in a dry, enclosed room that is not accessible for children.

6. **Do not overload your compressor!**

- It works better and more safely within the specified power range.

7. **Wear suitable work clothing!**

- Do not wear any loose-fitting clothing or jewellery. It could catch in moving parts. When working outside, it is recommended that you wear rubber gloves and non-slip footwear. If you have long hair, wear a hair net.

8. **Do not use the cord for other purposes!**

- Do not pull the compressor by the cord and do not use it to pull the plug out of the socket. Protect the cord against heat, oil and sharp edges.

9. **Take good care of your compressor!**

- Keep your compressor clean to ensure that you can work safely and effectively. Follow the maintenance guidelines. Check the plug and the cord regularly; if they are damaged, have a qualified professional replace them. Check extension cords regularly and replace damaged cords.

10. Pull out the mains plug!

- If you are not using the device or before performing maintenance.

11. Prevent accidental start-up!

- Ensure that the switch is off when connecting to the power supply.

12. Extension cords outside!

- When outside, only use an extension cord that is approved for such use and which is labelled accordingly.

13. Always remain attentive!

- Pay attention to what you are doing. Work in a reasonable manner. Do not use the compressor if you are unable to concentrate.

14. Check your compressor for damage!

- Before you use the compressor, carefully check to make sure that the protective devices or easily damaged parts are functioning properly and as intended. Check to make sure that moving parts are functional, that they are not jammed and that the parts are not damaged. All parts must be properly mounted to guarantee the safety of the device. Damaged protective devices and parts must be professionally repaired or replaced by a customer service workshop to the extent not otherwise specified in the instruction manual. Damaged switches must be replaced by a customer service workshop. Do not use any tools if the switch cannot be turned on and off.

15. Attention!

- For your own safety, only use accessories and auxiliary equipment specified in the instruction manual or recommended or specified by the manufacturer. Using tools or accessories other than recommended in the instruction manual or catalogue may pose a risk of personal injury for you.

16. Repairs only by a qualified electrician!

- Repairs may only be performed by a qualified electrician; otherwise, there is a risk of accident for the operator.

17. Noise!

- Wear ear protection when you use the compressor.

18. Replacement of the connection line!

- If the connection line is damaged, it must be replaced by the manufacturer or an electrician to avoid risks.

Safety notes for working with compressed air and blow guns

- The compressor and lines reach high temperatures during operation. Touching them will result in burns.
- Keep the gases and vapours sucked in by the compressor free of constituents that could cause fires or explosions in the compressor.
- When releasing the hose coupling, firmly hold the hose coupling piece by hand to avoid injury from the hose that is lashing back.
- Wear safety glasses when working with the blow gun. Debris and parts blown away could inflict injuries easily.
- Do not blast any persons or clothing being worn with the blow gun.

Store the safety instructions in a safe place.

Preparation

Before you use the compressor, prepare the compressor and accessories as described in the following chapters.

Checking the compressor and product contents



NOTE! **Risk of damage!**

If you are not cautious when opening the packaging with a sharp knife or other pointy object, you may quickly damage the compressor.

- You should therefore be very careful when opening the packaging.

1. Check to make sure that the delivery is complete (see **Fig. A** and **B**).
2. Take the compressor out of the packaging and check whether the compressor or the individual parts exhibit damages. If this is the case, do not use the compressor. Contact the manufacturer using the service address specified on the guarantee card. Keep the original packaging for proper storage of the compressor.

Setting up the compressor

Observe the following notes when setting up the compressor:



NOTE!

Risk of damage!

If you set up the compressor in an unsuitable location, you could damage it.

- Place the compressor on an easily accessible, level, dry and sufficiently stable work surface. Do not place the compressor along the edge of a surface, e.g. on a kerb.
- Avoid any build-up of heat by not setting the compressor up directly against a wall or similar. Make sure that the vents are not obstructed. During operation, always place the compressor on the rubber feet so that it rests on its side.
- Do not place the compressor on or near hot surfaces.
- Set the compressor up in a location with dry and clean air. Don't use it in wet rooms or in the rain.

Connecting the compressor



WARNING!

Risk of electric shock!

A faulty electrical installation or excessive mains voltage may result in an electric shock.

- Only connect the compressor if the mains voltage of the socket corresponds to the nameplate specification.
- Lay the mains cord so that it does not pose a tripping hazard.
- Only connect the compressor to an easily accessible socket so that you can quickly disconnect it from the power supply in the event of a fault.
- The compressor complies with protection class 2. Only connect it to a properly installed socket. Connection to a multiple socket strip or multi-socket is impermissible and increases the risk of fire.

**NOTE!****Risk of damage!**

If you connect the compressor at an ambient temperature of below +5 °C, the motor will only start very slowly and may be damaged.

- Only connect the compressor at an ambient temperature of at least +5 °C.

1. Ensure that the On/Off switch **3** is off ("0" position).
2. Take the mains cord and the compressed air hose **4** out of the storage compartment **2**.
3. Insert the mains plug in a properly installed socket.

Preparing the adapter

You can use the compressor to supply car and bike tyres, balls, boats and air mattresses with compressed air. Proceed as follows:

1. Fit the tyre fill gauge **8** on the quick coupling of the compressed air hose **4** (see **Fig. C**): Push the tyre fill gauge into the quick coupling so that it locks into place.
2. Turn the connecting hose **6** tight in the tyre fill gauge (see **Fig. E**).
3. Clamp the respective adapter **9**/**10**/**11**/**12** for the different valve types into the quick release fastener **7** (see the following chapter).

Car tyre valves

You can use your compressor to supply car tyres or bike tyres with car tyre valves with compressed air. Proceed as follows:

1. Mount the tyre fill gauge **8** and the connecting hose **6** (see chapter "Preparing the adapter").
2. Take the cap off of the car valve.
3. Fit the quick release fastener **7** on the car valve (see **Fig. G**).
4. Now supply the car or bike tyre with compressed air (see chapter „Use“).
5. After inflating the tyre, immediately check the tyre pressure, e.g. at a fuel station.

Dunlop valves of bike tyres

You can use your compressor to supply bike tyres with Dunlop valves with compressed air. Proceed as follows:

1. Mount the tyre fill gauge **8** and the connecting hose **6** (see chapter "Preparing the adapter").
2. Turn the adapter for Dunlop valves **10** onto the Dunlop valve of a bike tyre until tight.

3. Push the lever of the quick release fastener **7** down and place the quick release fastener on the adapter. Release the lever so that the adapter is firmly connected with the quick release fastener.
4. Now supply the bike tyre with compressed air (see chapter „Use“).

Ball valves

You can use your compressor to supply balls (e.g. leather footballs) with compressed air. Proceed as follows:

1. Mount the tyre fill gauge **8** and the connecting hose **6** (see chapter “Preparing the adapter”).
2. Push the lever of the quick release fastener **7** down and insert the adapter for ball valves **11**. Release the lever so that the adapter is firmly connected with the quick release fastener.
3. Insert the adapter in the ball valve.
4. Now supply the ball with compressed air (see chapter „Use“).

Valves for pools, air mattresses and similar

You can use your compressor to supply pools, air mattresses and similar articles with compressed air. Proceed as follows:

1. Mount the tyre fill gauge **8** and the connecting hose **6** (see chapter “Preparing the adapter”).
2. Push the lever of the quick release fastener **7** down and insert the adapter **12**. Release the lever so that the adapter is firmly connected with the quick release fastener.
3. Fit the desired adapter on the adapter (see **Fig. F**).
4. Insert the adapter in the article valve.
5. Now supply the article with compressed air (see chapter „Use“).

Blow gun

You can use the compressor as a blow gun to clean dust and similar dirt out of cavities or difficult to reach areas. Prepare the compressor as follows:

1. Fit the tyre fill gauge **8** on the quick coupling of the compressed air hose **4** (see **Fig. C**): Push the tyre fill gauge into the quick coupling so that it locks into place.
2. Screw the blow-out adapter **9** into the tyre fill gauge (see **Fig. E**).
3. Now you can use the blow gun (see chapter „Use“).

Use



WARNING! **Danger of explosion!**

Power tools may produce sparks that could ignite dust or vapours.

- Do not use the compressor in environments where there is a risk of explosion.
- Keep the aforementioned gases and vapours free of constituents that could cause fires or explosions in the compressor.



CAUTION! **Risk of injury!**

If you use the compressor, the loud operating noises could hurt your ears. Noise may cause hearing loss.

- Wear ear protection during operation.
- Make sure that no other persons, particularly children and animals are near the compressor during operation.



CAUTION! **Risk of injury!**

If you use the blow gun, particles that have been blown away may get in your eyes and cause injury.

- Wear protective eyewear during operation.



CAUTION! **Risk of injury!**

If you use the compressor improperly, you could injure yourself and other persons and animals.

- Do not point the tyre fill gauge with the connecting hose and the adapter at yourself or other persons and animals.
- The compressor will heat up during operation. Only touch the On/Off button until the compressor has cooled off again.
- If you release the quick release fastener, firmly hold the coupling element of the connecting hose with your hand. The connecting hose may lash back and you could injure yourself.

**NOTE!****Risk of damage!**

Using the compressor improperly may damage it.

- Observe the designated type of operation: S3 15 % 10 min. This means that the compressor is intended for intermittent operation without the influence of the starting process and that the operating time may not exceed 1.5 minutes (15 %) within a period of 10 min.
- Use all hoses and fittings adequately in accordance with the work pressure.
- Do not tilt the compressor while in operation. Only leave it on the base in a horizontal position and do not carry it while in operation.

You can use the compressor to supply various articles with compressor air, use the compressor as a blow gun and use the vent valve during operation.

Supplying articles with compressed air

You can supply various articles such as bike and car tyres, balls and air mattresses with compressed air. Proceed as follows:

1. Prepare the compressor (see chapter "Preparation").
2. Make sure that the adapter **10** / **11** / **12** is properly inserted in the article's valve and during operation, hold it so as to ensure that it cannot slip out of the valve.
3. Use the On/Off switch **3** to switch on the compressor.
4. Press the trigger of the tyre fill gauge **8** to supply the article with compressed air.
5. During operation, use the trigger to dose the compressed air.
6. Observe the pressure gauge during operation. Observe the maximum permissible pressure for the respective article.
7. Once the desired pressure has been reached, release the trigger.
8. Use the On/Off switch to turn off the compressor.
9. Pull the adapter out of the valve.
10. Pull the mains plug out of the socket.
11. Push the trigger again to depressurise the compressor.
12. Clean the compressor (see chapter "Cleaning").

Using the blow-out adapter

You can use the compressor as a blow gun to clean dust and similar dirt out of cavities or difficult to reach areas. Proceed as follows:

1. Prepare the compressor (see chapter “Preparation”).
2. Point the blow gun at the desired area.
3. Push the trigger of the tyre fill gauge **8**.
4. During operation, use the trigger to dose the compressed air.
5. Once you have cleaned the desired areas and surfaces, use the On/Off switch **3** to turn off the compressor.
6. Pull the mains plug out of the socket.
7. Push the trigger again to depressurise the compressor.
8. Clean the compressor (see chapter “Cleaning”).

Using the vent valve

You can use the vent valve on the side of the tyre fill gauge to lower an increased pressure.

1. During operation, use the pressure gauge to continually check the pressure.
2. If e.g. you determine that there is too much pressure in a bike tyre, briefly push the vent valve to release any surplus air.

Cleaning

Clean the compressor and accessories after every use.



NOTE!

Risk of short circuit!

Water that has penetrated the housing may cause a short circuit.

- Do not immerse the compressor or the accessories in water.
- Make sure that no water penetrates the housing.

**NOTE!****Risk of damage!**

Cleaning the compressor with unsuitable cleaners could damage it.

- Do not use any aggressive cleaners, sharp or metallic cleaning utensils such as knives, hard scrapers or similar. They could damage the surfaces.
- Do not place the compressor or the accessories in the dishwasher.

1. Turn the compressor off and pull the mains plug out of the socket before cleaning.
2. Let the compressor cool off completely.
3. Remove the attached adapter by reversing the steps in the chapter "Preparing the adapter".
4. Clean the compressor and the accessories
 - by wiping it off with a damp cloth and a small amount of soft soap.
 - by blowing it off with the blow gun (see chapter "Using the blow-out adapter").
5. Once you have wiped the compressor off with a damp cloth, let all parts dry completely.

You have successfully cleaned the compressor.

Storage and transport

**PLEASE NOTE!****Risk of damage!**

Storing the compressor improperly may damage it.

- Depressurise the compressor before you stow or transport it: Turn the compressor off and push the trigger.
- The compressor and accessories must be completely dry before they are stowed and before transport.
- Store the compressor so that it is not accessible for unauthorised persons, children and animals.
- Store the compressor so that it is protected against sunlight, dust, dirt, frost and moisture. We recommend that you use the original packaging for this.
- Only store and transport the compressor in an upright position. Do not tip it.



- Do not place any heavy and/or hard objects on the compressor or the accessories.
- Do not kink the mains cord, the compressed air hose and the connecting hose.
- Do not stow the compressor so that there is a risk of it falling in a tub or sink.

- Wind up the mains cord so that it does not knot or kink.
- Carefully wind up the compressed air hose **4** to avoid kinking it.
- Place the adapter **9** / **10** / **11** / **12** in a transport bag.
- Carefully place the accessories in the storage compartment **2** of the compressor.

Troubleshooting



WARNING! **Risk of electric shock!**

A faulty electrical installation or excessive mains voltage may result in an electric shock.

- Do not open the housing. Liability and warranty claims are waived in the event of repairs performed by the user, improper connection of the device or incorrect operation. Only have your power tool repaired by a qualified professional and only with original spare parts.
- Only parts that comply with the original device data may be used for repairs. Electrical and mechanical parts, which are essential for providing protection against sources of danger, are located in this compressor.
- Discontinue using the compressor if the plastic components exhibit cracks or breaks or are deformed.
- Only the manufacturer or its customer service team may replace the mains plug or the mains connection line.

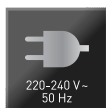
Some problems may be caused by minor faults that you can fix yourself. To do so, follow the instructions in the following table.

If it is still not possible to resolve the problem with the compressor, contact customer service. Do not in any case attempt to repair the compressor yourself.

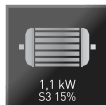
	Problem	Possible cause	Solution
1.	The article was not supplied with compressed air or the quantity was not sufficient.	The wrong adapter was fitted.	Check that you have fitted the correct adapter 10 / 11 / 12 (see chapter "Preparing the adapter").
		The adapter has not been properly fitted on or in the valve.	Check to make sure that the adapter is properly seated. If applicable, hold it firmly during operation to prevent air from leaking.
		The trigger for the tyre fill gauge has not been depressed enough.	Use the trigger to control the supply of compressed air.
		The screw and plug connections are not properly connected.	Check to make sure that the screw and plug connections of the connecting hose, tyre fill gauge 8 , adapter 9 / 10 / 11 / 12 and compressed air hose 4 are properly seated.
		The non-return valve or one of the gaskets is broken or not tight.	Have the damaged part replaced at a qualified workshop.
2.	The compressor can not be started.	The mains plug has not been inserted properly.	Check to make sure that the mains plug is properly seated.
		The socket is not live.	Use another device to check the socket.
		The outside temperature is too low. The compressor will not start if the ambient temperature is below +5 °C.	Do not operate the compressor at an ambient temperature of under +5 °C.
		The motor has overheated.	Let the motor cool off. If possible, rectify the cause of overheating. Make sure that the vents are not obstructed.

Technical data

Type:	WZK 183
Nominal output:	1.1 kW
Protection class:	2
IP-Code:	IP20
Weight:	approx. 6.5 kg
Dimensions (WxHxD):	45.5 cm x 33 cm x 12.5 cm
Article number:	92050
Sound power level L_{WA} :	97 dB (A)
Uncertainty K_{WA} :	3 dB (A)
Sound pressure level L_{pA} :	83 dB (A)
Uncertainty K_{pA} :	3 dB (A)



Nominal voltage, frequency: 220 – 240 V ~, 50 Hz



Type of operation: S3 15 % 10 min
(Intermittent operation without the influence of the starting process on the temperature; the maximum operating time may not exceed 1.5 minutes (15 %) within a period of 10 minutes.)



Compressor speed: 3550 rpm



Operating pressure: max. 8 bar



Theoretical suction capacity: 180 l/min

The noise levels were determined in accordance with EN ISO 3744 and EN ISO 2151.

Disposal

Disposing of the packaging



Sort the packaging before you dispose of it. Dispose of cardboard and carton as waste paper and foils via the recyclable material collection service.

Disposing of old appliances

(Applicable in the European Union and other European states with systems for the separate collection of reusable waste materials)



Old appliances must not be disposed of with household waste!

If the compressor can no longer be used, every user is required by law **to dispose of old appliances separately from their household waste**, e.g. at a collection point in his community/borough. This ensures that old appliances are recycled in a professional manner and also rules out negative consequences for the environment. For this reason, electrical devices are marked with the adjacent symbol.

Declaration of conformity

Einhell Germany AG · Wiesenweg 22 · D-94405 Landau/Isar



Konformitätserklärung

D erklärt folgende Konformität gemäß EU-Richtlinie und Normen für Artikel

GB explains the following conformity according to EU directives and norms for the following product

F déclare la conformité suivante selon la directive CE et les normes concernant l'article

I dichiara la seguente conformità secondo la direttiva UE e le norme per l'articolo

NL verklaart de volgende overeenstemming conform EU richtlijn en normen voor het product

E declara la siguiente conformidad a tenor de la directiva y normas de la UE para el artículo

P declara a seguinte conformidade, de acordo com a directiva CE e normas para o artigo

DK attesterer følgende overensstemmelse i medfør af EU-direktiv samt standarder for artikel

S förklarar följande överensstämmelse enl. EU-direktiv och standarder för artikeln

FIN vakuuttaa, että tuote täyttää EU-direktiivin ja standardien vaatimukset

EE tõendab toote vastavust EL direktiivile ja standarditele

CZ vydává následující prohlášení o shodě podle směrnice EU a norem pro výrobek

SLO potrjuje sledečo skladnost s smernico EU in standardi za izdelek

SK vydáva nasledujúce prehlásenie o zhode podľa smernice EÚ a noriem pre výrobok

H a cikkekhez az EU-irányelvonal és Normák szerint a következő konformitást jelenti ki

PL deklaruje zgodność wymienionego poniżej artykułu z następującymi normami na podstawie dyrektywy WE.

BG декларира съответното съответствие съгласно Директива на ЕС и норми за артикул

LV paskaidro šādu atbilstību ES direktīvai un standartiem

LT apibūdina šį atitikimą EU reikalavimams ir prekės normoms

RO declară următoarea conformitate conform directivei UE și normelor pentru articolul

GR δηλώνει την ακόλουθη συμμόρφωση σύμφωνα με την Οδηγία ΕΚ και τα πρότυπα για το προϊόν

HR potvrđuje sljedeću usklađenost prema smjernicama EU i normama za artikl

BIH potvrđuje sljedeću usklađenost prema smjernicama EU i normama za artikl

RS potvrđuje sledeću usklađenost prema smernicama EZ i normama za artikl

RUS следующим удостоверяется, что следующие продукты соответствуют директивам и нормам ЕС

UKR проголошує про зазначену нижче відповідність виробу директивам та стандартам ЄС на виріб

MK ja izjavуva slednata сообразност согласно ЕУ-директивата и нормите за артикли

TR Ürünü ile ilgili AB direktifleri ve normları gereğince aşağıda açıklanan uygunluğu belirtir

N erklærer følgende samsvar i henhold til EU-direktiv og standarder for artikkel

IS Lýsir uppfyllingu EU-reglna og annarra staðla vöru

Kompressor WZK 183 (Workzone)

87/404/EC_2009/105/EC

2005/32/EC_2009/125/EC

2006/95/EC

2006/28/EC

2004/108/EC

2004/22/EC

1999/5/EC

97/23/EC

90/396/EC_2009/142/EC

89/686/EC_96/58/EC

2011/65/EU

2006/42/EC

Annex IV

Notified Body:

Notified Body No.:

Reg. No.:

2000/14/EC_2005/88/EC

Annex V

Annex VI

Noise: measured L_{WA} = 94 dB (A); guaranteed L_{WA} = 97 dB (A)

P = 1,1 KW; L/O = cm

Notified Body: TÜV Rheinland LGA Products GmbH, Tillystraße 2, 90431 Nürnberg, Germany

2004/26/EC

Emission No.:

Standard references: EN 1012-1; EN 60204-1;
EN 55014-1; EN 55014-2; EN 61000-3-2; EN 61000-3-3

Landau/Isar, den 19.09.2014

Weichselgartner/General-Manager

Schunk/Product-Management

First CE: 14

Art.-No.: 40.205.72 I.-No.: 11014

Subject to change without notice

Archive-File/Record: NAPR011222
Documents registrar: Siegfried Roider
Wiesenweg 22, D-94405 Landau/Isar

WORKZONE**WARRANTY CARD
COMPRESSOR**

Your details:

Name _____

Address _____

_____

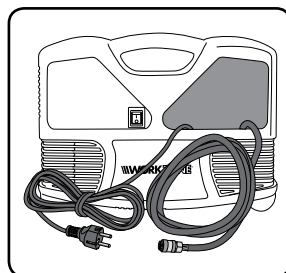
_____ E-mail _____

Date of purchase* _____

* We recommend you keep the receipt with this warranty card.

Location of purchase _____

Description of malfunction:



Return your completed warranty card together with the faulty product to:

Einhell UK Ltd.
Unit 9, Stadium Court
Wirral International Business Park
Plantation Road
Bromborough
Wirral, CH62 3QGsales@einhell.co.uk
technical@einhell.co.uk**AFTER SALES SUPPORT**

GB +0044 151 649 1500

IRE +0044 1890 946 244



www.einhell.co.uk

Model: WZK183

Product code: 92050

04/2015

3**YEARS
WARRANTY**

Warranty conditions

Dear Customer,

The **ALDI warranty** offers you extensive benefits compared to the statutory obligation arising from a warranty:

Warranty period: 3 years from date of purchase.

Costs: Free repair/exchange or refund.
No transport costs.

ADVICE: Please contact our service hotline by phone, e-mail or fax before sending in the device. This allows us to provide support in the event of possible operator errors.

In order to make a claim under the warranty, please send us:

- together with the faulty item the original receipt and the warranty card properly completed.
- the faulty product with all components included in the packaging.

The warranty does not cover damage caused by:

- **Accident** or **unanticipated events** (e.g. lightning, water, fire).
- **Improper use** or **transport**.
- **Disregard of the safety** and **maintenance instructions**.
- Other **improper treatment** or **modification**.

After the expiry of the warranty period, you still have the possibility to have your product repaired at your own expense. If the repair or the estimate of costs is not free of charge you will be informed accordingly in advance.

This warranty does not affect your statutory rights.



Spend a little Live a lot.

Great care has gone into the manufacture of this product and it should therefore provide you with years of good service when used properly. In the event of product failure within its intended use over the course of the first 3 years after date of purchase, we will remedy the problem as quickly as possible once it has been brought to our attention. In the unlikely event of such an occurrence, or if you require any information about the product, please contact us via our helpline support services, details of which are to be found both in this manual and on the product itself.

PRODUCED IN CHINA FOR:

ALDI STORES LTD. PO BOX 26, ATHERSTONE
WARWICKSHIRE, CV9 25H

ALDI STORES (IRELAND) LTD.
PO BOX 726, NAAS, CO. KILDARE.
visit us at www.aldi.co.uk



AFTER SALES SUPPORT

 **GB** +0044 151 649 1500  sales@einhell.co.uk
IRE +00353 1890 946 244 technical@einhell.co.uk

Model: **WZK183**

Product code: **92050**

04/2015

3
YEARS
WARRANTY