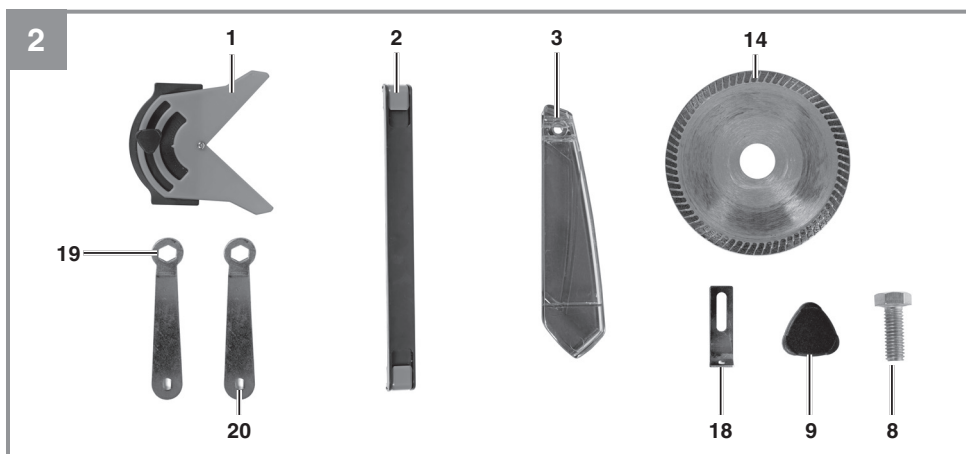
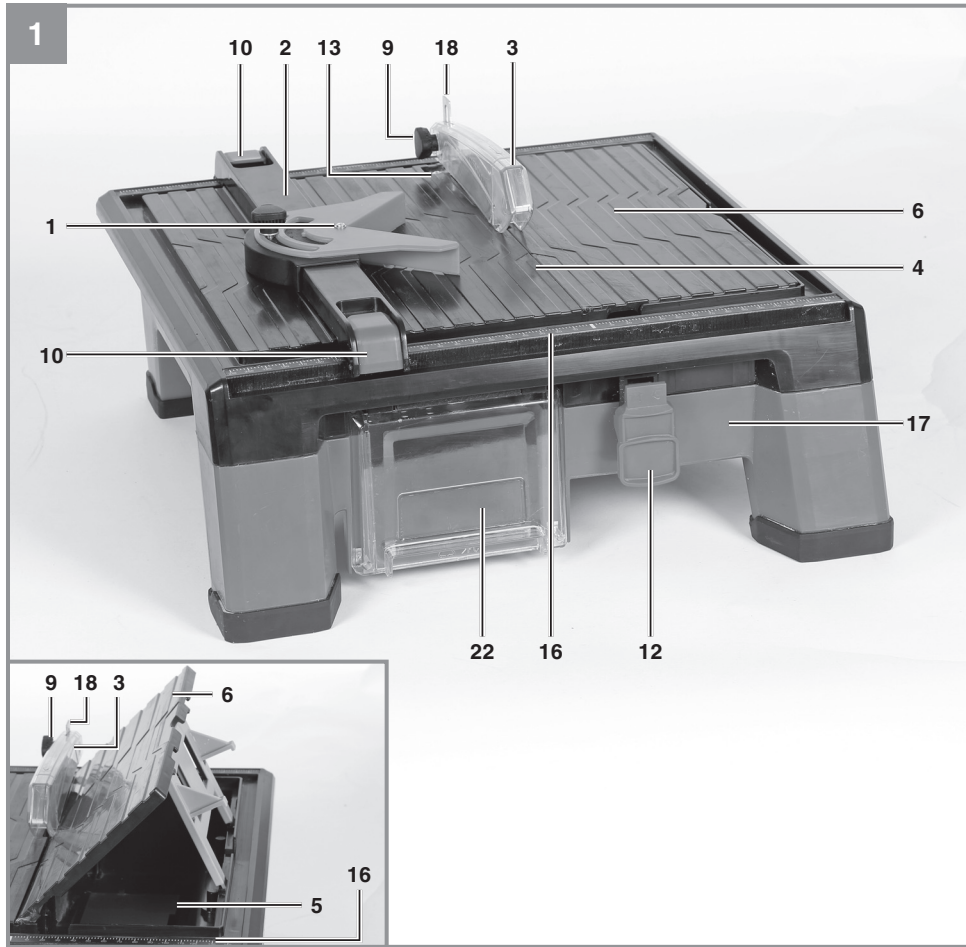


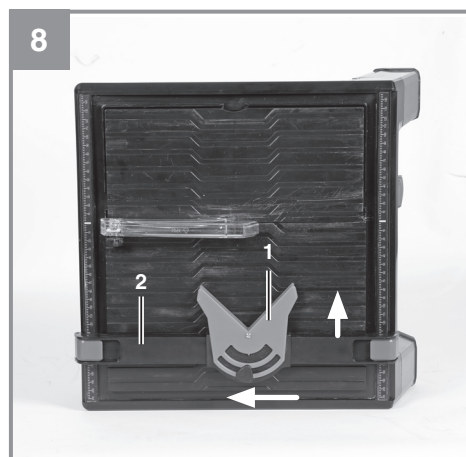
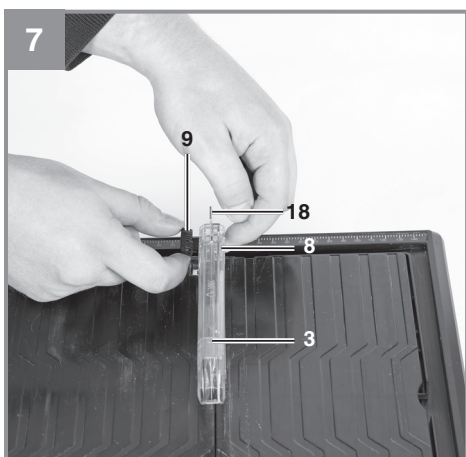
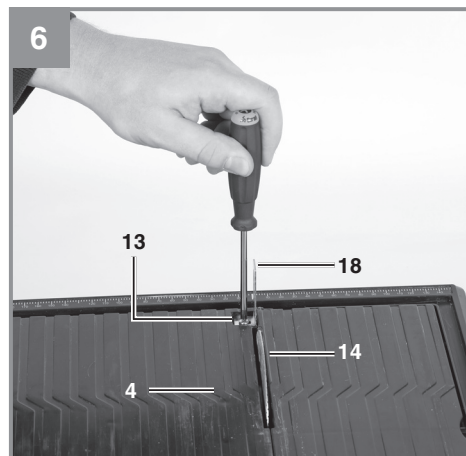
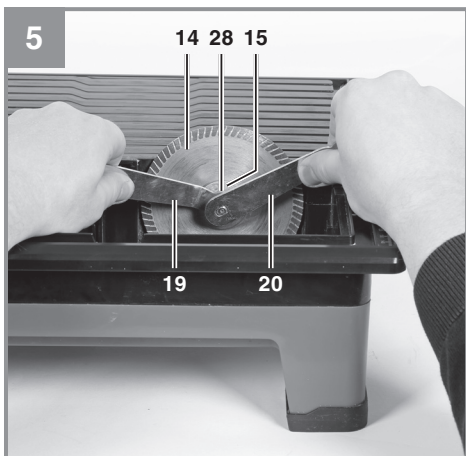
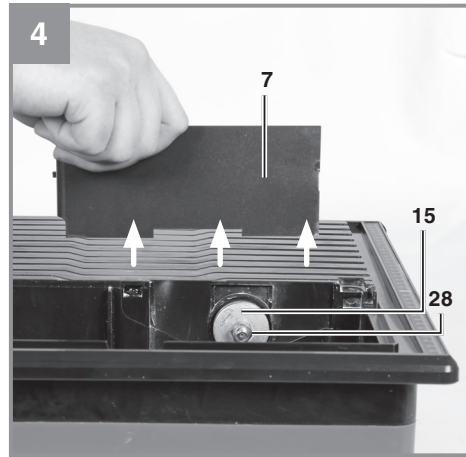
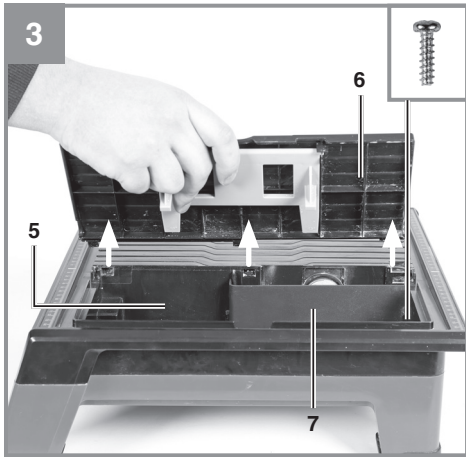
- EN** Operating instructions
Cordless Tile Saw
- FR** Mode d'emploi
Scie à carreaux sans fil
- SP** Manual de instrucciones
Cortador de baldosas inalámbrico

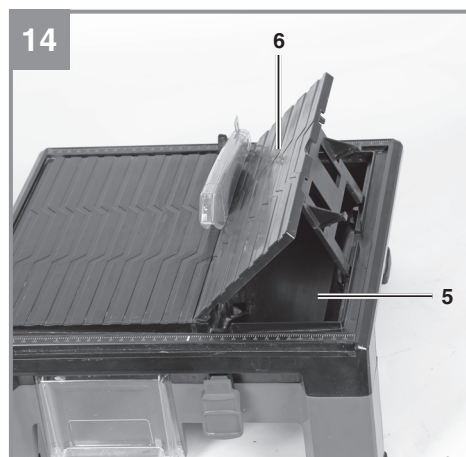
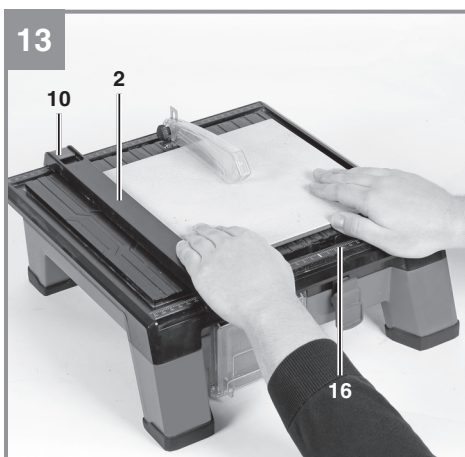
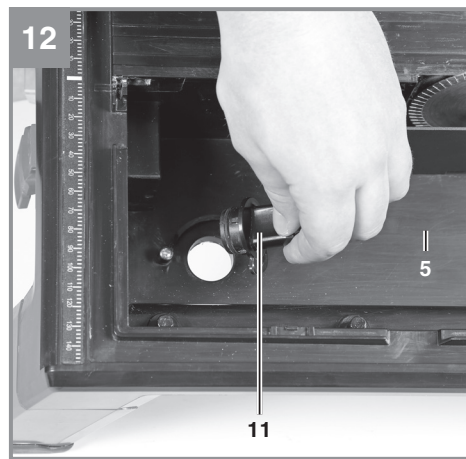
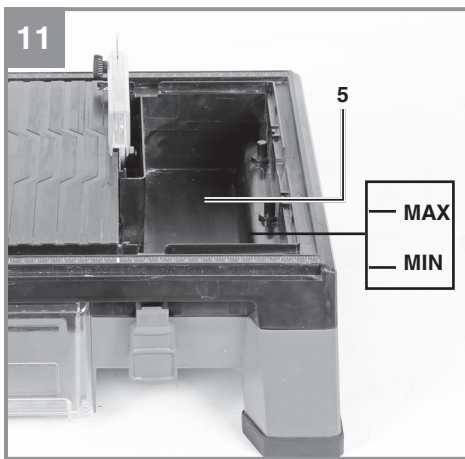
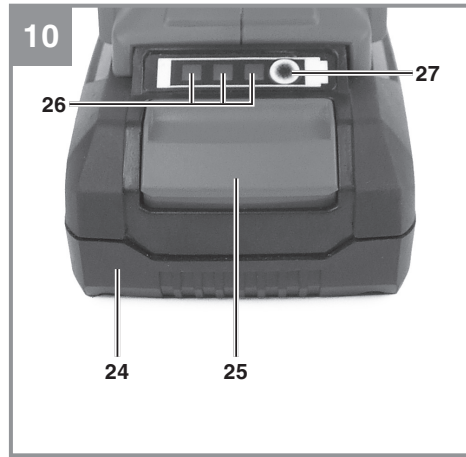
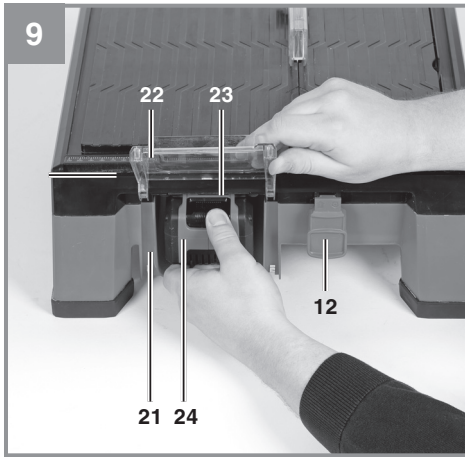


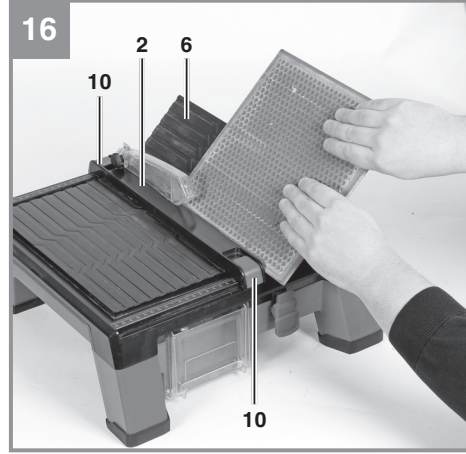
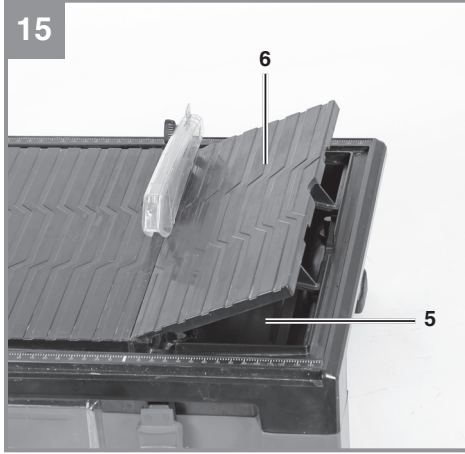
Art.-Nr.: 4301191

I.-Nr.: 21013











Danger! - Read the operating instructions to reduce the risk of injury.



Caution! Wear ear-muffs. The impact of noise can cause damage to hearing.



Caution! Wear a breathing mask. Dust which is injurious to health can be generated when working on wood and other materials. Never use the tool to work on any materials containing asbestos!



Caution! Wear safety goggles. Sparks generated during work or splinters, chips and dust emitted by the equipment can cause loss of sight.



Store the batteries only in dry rooms with an ambient temperature of 50°F to 104°F (+10°C to +40°C). Place only fully charged batteries in storage (charged at least 40%).



Danger! Risk of injury through cutting.



Caution! Segmented diamond blades must not be used.

DANGER!

When using the equipment, a number of safety precautions must be observed to avoid injuries and damage. Please read the complete operating instructions and safety information with due care. Keep these operating instructions in a safe place so that the information is available at all times. If you give the equipment to any other person, hand over these operating instructions and the safety information as well. We cannot accept any liability for damage or accidents which arise due to failure to follow these instructions and the safety information.

1. Safety information**DANGER!**

Read all the safety information and instructions. Failure to adhere to the safety information and instructions set out below may result in electric shock, fire and/or serious injury. **Keep all the safety information and instructions in a safe place for future use.**

General safety information for power tools

The term "power tool" used in the safety regulations refers to power tools operated from the mains power supply (with a power cable) and to battery operated power tools (without a power cable).

1) Work area safety

- a) **Keep work area clean and well lit.**
Cluttered and dark areas invite accidents.
- b) **Do not operate power tools in explosive atmospheres, such as in the presence of flammable liquids, gases or dust.** *Power tools create sparks which may ignite the dust or fumes.*
- c) **Keep children and bystanders away while operating a power tool.** *Distractions can cause you to lose control.*

2) Electrical safety

- a) **Power tool plugs must match the outlet. Never modify the plug in any way. Do not use any adapter plugs with earthed (grounded) power tools.** *Unmodified plugs and matching outlets will reduce risk of electric shock.*
- b) **Avoid body contact with earthed or grounded surfaces such as pipes, radiators, ranges and refrigerators.** *There*

is an increased risk of electric shock if your body is earthed or grounded.

- c) **Do not expose power tools to rain or wet conditions.** *Water entering a power tool will increase the risk of electric shock.*
 - d) **Do not abuse the cord. Never use the cord for carrying, pulling or unplugging the power tool. Keep cord away from heat, oil, sharp edges or moving parts.** *Damaged or entangled cords increase the risk of electric shock.*
 - e) **When operating a power tool outdoors, use an extension cord suitable for outdoor use.** *Use of a cord suitable for outdoor use reduces the risk of electric shock.*
 - f) **If operating a power tool in a damp location is unavoidable, use a ground fault circuit interruptor (GFCI) protected supply.** *Use of an GFCI reduces the risk of electric shock.*
- 3) Personal safety**
- a) **Stay alert, watch what you are doing and use common sense when operating a power tool. Do not use a power tool while you are tired or under the influence of drugs, alcohol or medication.** *A moment of inattention while operating power tools may result in serious personal injury.*
 - b) **Use personal protective equipment. Always wear eye protection.** *Protective equipment such as dust mask, non-skid safety shoes, hard hat, or hearing protection used for appropriate conditions will reduce personal injuries.*
 - c) **Prevent unintentional starting. Ensure the switch is in the Off-position before connecting to power source and/or BATTERY pack, picking up or carrying the tool.** *Carrying power tools with your finger on the switch or energizing power tools that have the switch on invites accidents.*
 - d) **Remove any adjusting key or wrench before turning the power tool on.** *A wrench or a key left attached to a rotating part of the power tool may result in personal injury.*
 - e) **Do not overreach. Keep proper footing and balance at all times.** *This enables better control of the power tool in unexpected situations.*
 - f) **Dress properly. Do not wear loose clothing or jewellery. Keep your hair, clothing and gloves away from moving parts.** *Loose clothes, jewelry or long hair*

- can be caught in moving parts.*
- g) **If devices are provided for the connection of dust extraction and collection facilities, ensure these are connected and properly used.** *Use of these devices can reduce dust related hazards.*
- h) **Do not let familiarity gained from frequent use of tools allow you to become complacent and ignore tool safety principles.** *A careless action can cause severe injury within a fraction of a second.*
- 4) **Power tool use and care**
- **KEEP GUARDS IN PLACE** and in working order.
 - **REMOVE ADJUSTING KEYS AND WRENCHES.** Form habit of checking to see that keys and adjusting wrenches are removed from tool before turning it on.
 - **KEEP WORK AREA CLEAN.** Cluttered areas and benches invite accidents.
 - **DON'T USE IN DANGEROUS ENVIRONMENT.** Don't use power tools in damp or wet locations, or expose them to rain. Keep work area well lighted.
 - **KEEP CHILDREN AWAY.** All visitors should be kept safe distance from work area.
 - **MAKE WORKSHOP KID PROOF** with padlocks, master switches, or by removing starter keys.
 - **DON'T FORCE TOOL.** It will do the job better and safer at the rate for which it was designed.
 - **USE RIGHT TOOL.** Don't force tool or attachment to do a job for which it was not designed.
 - **WEAR PROPER APPAREL.** Do not wear loose clothing, gloves, neckties, rings, bracelets, or other jewelry which may get caught in moving parts. Nonslip footwear is recommended. Wear protective hair covering to contain long hair.
 - **ALWAYS USE SAFETY GLASSES.** Also use face or dust mask if cutting operation is dusty. Everyday eyeglasses only have impact resistant lenses, they are NOT safety glasses.
 - **SECURE WORK.** Use clamps or a vise to hold work when practical. It's safer than using your hand and it frees both hands to operate tool.
 - **DON'T OVERREACH.** Keep proper footing and balance at all times.
 - **MAINTAIN TOOLS WITH CARE.** Keep tools sharp and clean for best and safest performance. Follow instructions for lubricating and changing accessories.
- **DISCONNECT TOOLS** before servicing; when changing accessories, such as blades, bits, cutters, and the like.
 - **REDUCE THE RISK OF UNINTENTIONAL STARTING.** Make sure switch is in off position before plugging in.
 - **USE RECOMMENDED ACCESSORIES.** Consult the owner's manual for recommended accessories. The use of improper accessories may cause risk of injury to persons.
 - **NEVER STAND ON TOOL.** Serious injury could occur if the tool is tipped or if the cutting tool is unintentionally contacted.
 - **CHECK DAMAGED PARTS.** Before further use of the tool, a guard or other part that is damaged should be carefully checked to determine that it will operate properly and perform its intended function – check for alignment of moving parts, binding of moving parts, breakage of parts, mounting, and any other conditions that may affect its operation. A guard or other part that is damaged should be properly repaired or replaced.
 - **DIRECTION OF FEED.** Feed work into a blade or cutter against the direction of rotation of the blade or cutter only.
 - **NEVER LEAVE TOOL RUNNING UNATTENDED. TURN POWER OFF.** Don't leave tool until it comes to a complete stop.
- 5) **Battery tool use and care**
- a) Ensure the switch is in the off position before inserting battery pack. Inserting the battery pack into power tools that have the switch on invites accidents.
 - b) **Recharge only with the charger specified by the manufacturer.** *A charger that is suitable for one type of battery pack may create a risk of fire when used with another battery pack.*
 - c) **Use power tools only with specifically designated battery packs.** *Use of any other battery packs may create a risk of injury and fire.*
 - d) **When battery pack is not in use, keep it away from other metal objects, like paper clips, coins, keys, nails, screws or other small metal objects that can make a connection from one terminal to another.** *Shorting the battery terminals together may cause burns or a fire.*
 - e) **Under abusive conditions, liquid may be ejected from the battery; avoid contact.**

If contact accidentally occurs, flush with water. If liquid contacts eyes, additionally seek medical help. *Liquid ejected from the battery may cause irritation or burns.*

- f) Disconnect battery pack from tool or place the switch in the locked or off position before making any adjustments, changing accessories, or storing the tool. Such preventive safety measures reduce the risk of starting the tool accidentally.
 - g) **Do not use a BATTERY pack or tool that is damaged or modified.** *Damaged or modified batteries may exhibit unpredictable behavior resulting in fire, EXPLOSION or risk of injury.*
 - h) **Do not expose a BATTERY pack or tool to fire or excessive temperature.** *Exposure to fire or temperature above 266°F (130°C) may cause explosion.*
 - i) **Follow all charging instructions and do not charge the BATTERY pack or tool outside the temperature range specified in the instructions.** *Charging improperly or at temperatures outside the specified range may damage the BATTERY and increase the risk of fire.*
- 6) Service**
- a) **Have your power tool serviced by a qualified repair person using only identical replacement parts.** *This will ensure that the safety of the power tool is maintained.*
 - b) **Never service damaged BATTERY packs.** *Service of BATTERY packs should only be performed by the manufacturer or authorized service providers.*

Additional safety instructions

We pay a great deal of attention to the design of every battery pack to ensure that we supply you with batteries which feature maximum power density, durability and safety. The battery cells have a wide range of safety devices. Each individual cell is initially formatted and its electrical characteristic curves are recorded. These data are then used exclusively to be able to assemble the best possible battery packs.

Despite all the safety precautions, caution must always be exercised when handling batteries. The following points must be obeyed at all times to ensure safe use. Safe use can only be guaranteed if undamaged cells are used. Incorrect handling can cause cell damage.

Caution! Analyses confirm that incorrect use and poor care are the main causes of the damage caused by high performance batteries.

Information about the battery

1. The battery pack supplied with your cordless tool is not charged. The battery pack has to be charged before you use the tool for the first time.
2. For optimum battery performance avoid low discharge cycles. Charge the battery pack frequently.
3. Store the battery pack in a cool place, ideally at 59°F (15°C) and charged to at least 40%.
4. Lithium-Ion batteries are subject to a natural ageing process. The battery pack must be replaced at the latest when its capacity falls to just 80% of its capacity when new. Weakened cells in an aged battery pack are no longer capable of meeting the high power requirements and therefore pose a safety risk.
5. Do not throw battery packs into an open fire. There is a risk of explosion!
6. Do not ignite the battery pack or expose it to fire.
7. **Do not exhaustively discharge batteries.** Exhaustive discharge will damage the battery cells. The most common cause of deep discharge is lengthy storage or non-use of partly discharged batteries. Stop working as soon as the performance of the battery falls noticeably or the electronic protection system triggers. Place the battery pack in storage only after it has been fully charged.
8. **Protect batteries and the tool from overloads.** Overloads will quickly result in overheating and cell damage inside the battery housing without this overheating actually being apparent externally.
9. **Avoid damage and shocks.** Replace batteries which have been dropped from a height of more than one meter or which have been exposed to violent shocks without delay, even if the housing of the battery pack appears to be undamaged. The battery cells inside the battery may have suffered serious damage. In this respect, please also read the waste disposal information.
10. If the battery pack suffers overloading and overheating, the integrated protective cut-off will switch off the equipment for safety reasons. Caution! Do not press the ON/OFF switch any more if the protective cut-off has actuated. This may damage the battery.

11. Use only original battery packs. The use of other batteries may result in injuries, explosion and a fire risk.
12. **Protect your rechargeable battery against moisture, rain and high humidity.** Moisture, rain and high humidity can cause dangerous cell damage. Never charge or work with batteries which have been exposed to moisture, rain or high humidity – replace them immediately.
13. If your equipment is fitted with a detachable battery, remove the battery for safety reasons after you have finished your work.

Information on chargers and the charging process

1. Please check the data marked on the rating plate of the battery charger. Be sure to connect the battery charger to a power supply with the voltage marked on the rating plate. Never connect it to a different mains voltage.
2. Protect the battery charger and its cable from damage and sharp edges. Have damaged cables repaired without delay by a qualified electrician.
3. Keep the battery charger, batteries and the cordless tool out of children's reach.
4. Do not use damaged battery chargers.
5. Do not use the supplied battery charger to charge other cordless tools.
6. In heavy use the battery pack will become warm. Allow the battery pack to cool to room temperature before commencing with the charging.
7. **Do not over-charge batteries.** Do not exceed the maximum charging times. These charging times apply only to discharged batteries. Frequent insertion of a charged or partly charged battery pack will result in over-charging and cell damage. Do not leave batteries in the charger for more than 48 hours.
8. **Never use or charge batteries if you suspect that the last time they were charged was more than 12 months previously.** There is a high probability that the battery pack has already suffered dangerous damage (exhaustive discharge).
9. Charging batteries at a temperature below 50°F (10°C) will cause chemical damage to the cell and may cause a fire.
10. Do not use batteries which have heated during the charging process, as the battery cells may have suffered dangerous damage.

11. Do not use batteries which have suffered curvature or deformation during the charging process or which show other non-typical symptoms (gassing, hissing, cracking,...)
12. Never fully discharge the battery pack (recommended depth of discharge max. 80%) A complete discharge of the battery pack will lead to premature ageing of the battery cells.
13. Never charge the batteries unsupervised.

Protection from environmental influences

1. Wear suitable work clothes. Wear safety goggles.
2. **Protect your cordless tool and the battery charger from moisture and rain.** Moisture and rain can cause dangerous cell damage.
3. Do not use the cordless tool or the battery charger near vapors and inflammable liquids.
4. Use the battery charger and cordless tools only in dry conditions and an ambient temperature of 50°F to 104°F (10°C to 40°C).
5. Do not keep the battery charger in places where the temperature is liable to reach over 104°F (40°C). In particular, do not leave the battery charger in a car that is parked in the sunshine.
6. **Protect batteries from overheating.** Overloads, over-charging and exposure to direct sunlight will result in overheating and cell damage. Never charge or work with batteries which have been overheated – replace them immediately if possible.
7. **Storage of batteries, battery chargers and cordless tools.** Store the charger and your cordless tool only in dry places with an ambient temperature of 50°F to 104°F (10°C to 40°C). Store the Lithium-Ion rechargeable battery in a cool and dry place at 50°F to 68°F (10°C to 20°C). Protect them from humidity and direct sunlight! Place only fully charged batteries in storage (charged at least 40%).
8. Prevent the Lithium-Ion battery pack from freezing. Battery packs which were stored below 32°F (0°C) for more than 60 minutes must be disposed of.
9. When handling batteries beware of electrostatic charge: Electrostatic discharges cause damage of the electronic protection system and the battery cells. Avoid electrostatic charging and never touch the battery poles.

Battery Caution + Disposal

Disposal

Should your appliance need replacement after extended use, do not dispose of it with the household refuse, but in an environmentally safe way.



Waste produced by electrical machine items should not be handled like normal household rubbish. Please recycle where recycle facilities exist. Check with your local authority or retailer for recycling advice.

Always dispose of your battery pack according to federal, state, provincial and local regulations. Contact a recycling agency in your area for recycling locations.

⚠ CAUTION! Even discharged battery packs contain some energy. Before disposing, use electrical tape to cover the terminals to prevent the battery pack from shorting, which could cause a fire or explosion.

⚠ WARNING! To reduce the risk of injury or explosion, never burn or incinerate a battery pack even if it is damaged, dead, or completely discharged. When burned, toxic fumes and materials are emitted into the surrounding atmosphere.

1. Batteries vary according to device. Consult your manual for specific information.
2. Install only new batteries of the same type in your product (where applicable).
3. Failure to insert batteries in the correct polarity, as indicated in the battery compartment or manual, may shorten the life of the batteries or cause batteries to leak.
4. Do not mix old and new batteries.
5. Do not mix Alkaline, Standard (Carbon-Zinc), or Rechargeable (Nickel Cadmium, Nickel Metal Hydride, or Lithium-Ion) batteries.
6. Do not dispose of batteries in fire.
7. Batteries should be recycled or disposed of as per state, provincial and local guidelines.

When shipping or disposing of batteries and cordless tools, always ensure that they are packed individually in plastic bags to prevent short circuits and fires.

Special safety information

Caution! This tile saw is designed for wet cutting only. The machine may be operated only with a non-segmented diamond blade.

- **Wet hands**
Never touch the electrical components of the

machine (e.g. switches) with wet hands.

- **Plug-in connections**
All plug-in connections must be located in a dry place and must not lie on the floor.
- **Cooling the blade**
Make sure that the blade is cooled with water during the complete cutting process.
- **Dry cutting**
Never carry out dry cuts with blade designed for wet cutting.
- **Dust protection**
Always wear a protective dust mask when cutting tiles.
- **Diamond blades**
Do not feed the tile into the machine any faster than the blade can cut.
- **Usable blades:**
Use only blades which are designed for a minimum speed of 3000 RPM.
- **Selecting the blade**
Select the diamond blade to suit the material you want to cut.
- **Fitting the blade**
Before you install the blade, check the spindle, the spindle nut and the flanges for damage, wear or a loose fit. Replace damaged or worn parts without delay.
- **Direction of rotation of the blade**
Check the direction arrow on the blade; the arrow must point in the same direction as the direction in which the motor shaft rotates.
- **Blade spindle**
Make sure that the diameter of the hole in the blade is the same as the diameter of the blade spindle on the machine.
- **Blade guard**
Only use the tile saw with a properly fitted and adjusted blade guard.
- **Blade speed**
Do not exceed the safe operating speed of the blade.
- **Sanding/grinding with the blade**
Do not try to use the blade for sanding or grinding jobs, e.g. to sand/grind the edge of a cut tile. Also, do not use the machine for radius cuts or round cuts.
- **Area of application:**
This tile saw is suitable only for household use.
- **Blade stop time:**
The blade needs a few seconds to come to a standstill after the machine has been switched off. Wait for the blade to stop completely, then take out the battery, and only then touch the machine's blade if at all

- necessary.
- **Rotating blade:**
Avoid all contact with the rotating blade when the machine is in operation.
- **Electrical parts:**
Keep water away from electrical parts of the tool and from persons in the work area!
- **Technical changes:**
To comply with the requirements imposed by the safety regulations, all technical modifications which change the equipment's characteristics (e.g. speed) must be left strictly to the manufacturer.
- **Safety regulations:**
Each time before you use the machine, make sure that it still complies with the safety regulations. For safety reasons you must replace every damaged (cracked) tool.
- **Use of other tools:**
The use of any other types of blades or tools (such as circular saw blades) which are not stated in the enclosed instructions is not permitted.
- **Water level:**
Make sure there is enough water in the water container.
- **Work range:**
Make sure that there is no one within the work area apart from the operator.

This equipment is not intended to be used by persons (including children) with reduced physical, sensory or mental capacities or those with a lack of experience and/or knowledge. Children must always be supervised to ensure that they do not play with the equipment.

SAVE THESE INSTRUCTIONS

2. Layout and items supplied

2.1 Layout

1. Miter stop
2. Rip fence
3. Blade guard
4. Cutting table
5. Water container
6. Water container cover
7. Blade safety guard
8. Blade guard hex. bolt
9. Blade guard lock knob
10. Fastening clasp
11. Water drain plug

12. On/Off switch
13. Fastening screw for splitter
14. Turbo diamond blade
15. Outer flange
16. Scale
17. Housing
18. Splitter
19. Ring spanner
20. Counter holder
21. Battery safety cover catch
22. Battery safety cover
23. Battery mount
24. Battery (not supplied)
25. Pushlock button
26. Battery capacity indicator
27. Battery capacity indicator button
28. Nut

2.2 Items supplied

Please check that the article is complete as specified in the scope of delivery. If parts are missing, please contact our service center or the store where you made your purchase at the latest within 5 work days after purchasing the article and upon presentation of a valid bill of purchase.

- Open the packaging and take out the equipment with care.
- Remove the packaging material and any packaging and/or transportation braces (if present).
- Check to see if all the items are supplied.
- Inspect the equipment and accessories for transport damage.
- If possible, keep the packaging until the end of the guarantee period.

Danger!

The equipment and packaging material are not toys. Do not let children play with plastic bags, plastic sheets and small parts. There is a risk of choking and suffocating!

- Blade guard with splitter
- Turbo diamond blade
- Rip fence
- Miter stop
- 2x Ring spanner / counter holder
- Original operating instruction with safety information

Separately available accessories

- 18V 1.5Ah PXC Lithium-Ion battery
- 18V 2.0Ah PXC Lithium-Ion battery
- 18V 2.5Ah PXC Lithium-Ion battery
- 18V 3.0Ah PXC Lithium-Ion battery

18V 4.0Ah PXC Lithium-Ion battery
 18V 3.0Ah PXC Plus Lithium-Ion battery
 18V 4.0Ah PXC Plus Lithium-Ion battery
 18V 5.2Ah PXC Plus Lithium-Ion battery
 18V 4.0Ah/6.0Ah PXC Plus Lithium-Ion battery
 18V 5.0Ah/8.0Ah PXC Plus Lithium-Ion battery
 18V PXC Dual Port Fast Charger
 18V PXC Fast Charger

Contact your local retailer for more specific models of batteries and charger available in your area. You can also explore battery + charger options at Einhell.com.

3. Intended use

This wet tile saw is designed for the standard cutting of small and medium-size tiles (glazed tiles, ceramic tiles or similar) which can be accommodated by the size of the machine. It should never be used for cutting wood or metal. **The machine should be used exclusively for its intended purpose.** Any other use is deemed to be a case of misuse. The user/operator and not the manufacturer will be held liable for damage and/or injuries of any kind that result from such misuse. The machine is to be operated only with suitable diamond blades. Saw blades should never be used. Compliance with the safety instructions, the assembly instructions, and advice and instructions on operation contained in the operating instructions also falls under the terms of intended use. All persons who use and service the equipment must be acquainted with this manual and must be informed about the machine's potential hazards. In addition, strict compliance with the accident prevention regulations in force in your area, as well as all other general rules of health and safety at work, is imperative. The manufacturer's liability shall be deemed void if the machine is modified in any way and the manufacturer shall therefore accept no liability for any damages arising as a result of modifications. Even when the equipment is used as prescribed it is still impossible to eliminate certain residual risk factors. The following hazards may arise in connection with the machine's construction and design:


- Contact with the diamond blade where it is not covered.
- Contact with the diamond blade while it is turning.
- Defective diamond tips flying off the blade.

- Kick-back of workpieces and parts of workpieces due to improper handling.
- Damage to hearing if ear protection is not used as necessary.

The equipment is allowed to be used only for its prescribed purpose. Any other use is deemed to be a case of misuse. The user/operator and not the manufacturer will be liable for any damage or injuries of any kind resulting from such misuse.

Please note that our equipment has not been designed for use in commercial, trade or industrial applications. Our warranty will be voided if the equipment is used in commercial, trade or industrial businesses or for equivalent purposes.

4. Technical data

Motor power supply:	18V 
No load speed (RPM):	3800
Cutting height 90°	1 ⁵ / ₁₆ "
Cutting height 45°	5 ⁵ / ₁₆ "
Cutting table dimensions	12" x 13 ³ / ₁₆ "
Blade size:	4 ¹ / ₂ "
Arbor size:	7 ⁷ / ₈ "
Weight (Tool only):	7.5 lbs

Wear ear-muffs.

The impact of noise can cause damage to hearing.

Reduce noise generation and vibration to a minimum!

- Use only equipment that is in perfect condition.
- Maintain and clean the equipment regularly.
- Adapt your way of working to the equipment.
- Do not overload the equipment.
- Have the equipment checked if necessary.
- Switch off the equipment when not in use.
- Wear gloves.

CAUTION!

Residual risks

Even if you use this electric power tool in accordance with the instructions, certain residual risks cannot be eliminated. The following hazards may arise in connection with the equipment's construction and layout:

1. Lung damage if no suitable protective dust mask is used.
2. Damage to hearing if no suitable ear protection is applied.
3. Health damage caused by hand-arm vibrations if the equipment is used over a longer period or is not properly guided and maintained.

5. Important information

Please read the operating instructions carefully and observe the information provided. It is important to consult these instructions to acquaint yourself with the equipment, its proper use and safety regulations.

Danger!

For safety reasons, the tile saw is not to be used by children, young people under 16 years of age, or any other persons who are not acquainted with these operating instructions.

- Portable tile saw for medium-sized tiles.
- Cutting with the diamond blade.
- Making angled cuts with the tiltable work surface (max. 45 degrees).
- Blade cooling with miter stop.
- Trough as cooling water container (to fill the trough you must remove the water container cover).
- If the blade becomes jammed, switch off the equipment and disconnect battery; only then are you to remove the workpiece.

6. Before starting the equipment

Warning!

Always remove the battery before making adjustments to the equipment.

- The machine has to be set up where it can stand firmly, e.g. on a work bench.
- All covers and safety devices must be properly fitted before the machine is switched on.
- It must be possible for the diamond blade to run freely.
- Before you actuate the On/Off switch, make sure that the diamond blade is correctly fitted and that the machine's moving parts run smoothly.
- Before using the machine, check all parts

for damage and replace any parts that are damaged. When replacing any parts or accessories, always carefully follow the instructions in this manual.

- For optimum performance and maximum safety, keep the machine clean at all times.
- While the machine is running, check the wearing parts and the fastenings of parts which may have become loose and check that all accessories are correctly fitted.
- **Caution! This tile saw is designed for use with water.**
- Check that the water level is high enough to cover the diamond part of the blade each time before you start a cutting operation and keep checking it during cutting as well. Fill/refill the cooling water directly into the trough.

7. Assembly

Danger! Remove the battery before carrying out any maintenance, resetting or assembly work on the tile saw.

Assemble the equipment as shown in Figs. 3-12.

7.1 Fitting the diamond blade (Fig. 3,4,5)

To fit the blade, proceed as follows:

- Remove the water container cover (6) (Fig. 3).
- Pull the blade safety guard (7) up and out (Fig. 4).
- Unscrew the nut (28) from the motor shaft and remove the outer flange (15) (Fig. 4).
- Place the blade (14) on the inner flange and then fit the outer flange on the blade. Important! Check that the blade rotates in the correct direction!
- Screw the nut (28) by hand back onto the motor shaft.
- Place the ring spanner (19) on the nut (28) and use the counter holder (20) to block the motor shaft (Fig. 5).
- Screw the nut (28) tight with the ring spanner.
- Reinsert the blade safety guard and reinstall the water container cover.

7.2 Fitting the splitter (Fig. 6)

- Unscrew the pre-fitted fastening screw (13) out of the cutting table (4).
- Secure the splitter (18) on the cutting table using the fastening screw.
- The splitter must be positioned in the center along an imaginary line extending behind the blade (14), so that it is not possible for the

material to get jammed.

7.3 Fitting the blade guard (Fig. 7)

- Place the blade guard (3) on the splitter (18) which is mounted on the equipment.
- Insert the hex. bolt (8) through the blade guard and the splitter.
- Tighten the lock knob (9) onto the hex. bolt.

7.4 Changing a worn diamond blade (Fig. 3,4,5,9,12)

To replace a worn blade, proceed as follows:

- Remove the battery by pressing and holding the pushlock button (25) while pulling the battery (24) out of the battery mount (23) (Fig. 9).
- Remove the water container cover (6) (Fig. 3).
- If necessary, pull out the water drain plug (11) to let the water out of the water container (Fig. 12).
- Pull the blade safety guard (7) up and out (Fig. 4).
- Place the ring spanner (19) on the nut (a) and use the counter holder (20) to block the motor shaft (Fig. 5).
- Use the ring spanner to unscrew the nut and remove the outer flange (15).
- Take out the worn blade (14) and clean the blade outer flange thoroughly.
- Place the new blade on the inner flange and fit the outer flange back on the blade. Important! Check that the blade rotates in the correct direction!
- Block the motor shaft again with the counter holder and screw the nut tight with the ring spanner (Fig. 5).
- Reinsert the blade safety guard and reinstall the water container cover.

8. Operation

8.1 Filling the water container/draining the water (Fig. 3,11,12)

- Remove the water container cover (6) (Fig. 3).
- Fill water into the water container (5) up to the "MAX" mark (Fig. 11).
- If needed, pull out the water drain plug (11) to let the water out of the water container (Fig. 12).

Important! Keep a constant check on the water level.

8.2 Inserting/removing the battery (Fig. 9)

- Open the battery compartment cover (22) and insert the battery (24) into the battery mount (23).
- Press and hold the push lock button (25) to remove the battery again from the battery mount.

8.3 On/Off switch (Fig. 1)

- You can switch on the tile saw by flipping up the switch (12).
- To switch off the tile saw, you must flip down the switch.

8.4 Even cut (Fig. 13)

- Set the cutting width with the rip fence (2) and secure it with the fastening clasps (10).
- The width of the workpiece can be read off the scale (16).
- Fig. 13 shows the correct position for your hands during the even cut. The feed rate must not exceed the cutting capacity of the blade. This is to make sure that no material becomes detached, as this might cause accidents or injuries.

8.5 Angle setting for miter cut (Fig. 14,15)

- Position the water container cover (6) for a 45° miter cut in the top position (Fig. 14).
- Position the water container cover for a 22.5° miter cut in the bottom position (Fig. 15).

8.6 Miter cut (22.5°; 45°) (Fig. 14,15,16)

- Fasten the water container cover (6) in the required angle position (see section 8.5 "Angle setting for miter cut") (Fig. 14, 15).
- Fasten the rip fence by means of the fastening clasps (10) as shown in Fig. 16.
- Place the tile with its glazed side on the water container cover (Fig. 16).
- Fig. 16 shows the correct position for your hands during the miter cut. Your left hand holds the workpiece in contact with the blade while your right hand pushes the workpiece forward. The feed rate must not exceed the cutting capacity of the blade. This is to make sure that no material becomes detached, as this might cause accidents or injuries.
- Carry out a trial cut with a spare tile so that you can check the results of the cut.

Important! If the blade becomes jammed, switch off the equipment and take out the battery; only then are you to remove the workpiece.

8.7 Charging the Lithium-Ion battery (not included)

The corresponding instructions can be found in the original operating instructions for your charger.

8.8 Battery capacity indicator (Fig. 10 / item 26)

Press the battery capacity indicator switch (27). The battery capacity indicator (26) shows the charge status of the battery using 3 LEDs.

All 3 LEDs lit:

The battery is fully charged.

2 or 1 LED(s) lit:

The battery has an adequate remaining charge.

1 LED flashing:

The battery is empty, recharge the battery.

All LEDs flashing:

The temperature of the battery is too low. Remove the battery from the device and leave it at room temperature for a day. If the error occurs again, this means that the battery has been completely depthdischarged and is defective. Remove the battery from the device. Never use or charge a defective battery.

9. Cleaning and maintenance

HAZARD!

Always take the battery out of the equipment before starting any cleaning work.

9.1 Cleaning

- Keep all safety devices, air vents and the motor housing free of dirt and dust as far as possible. Wipe the equipment with a clean cloth or blow it down with compressed air at low pressure.
- We recommend cleaning the equipment immediately each time after use.
- Clean the equipment regularly with a damp cloth and some soft soap. Do not use cleaning agents or solvents; these may be aggressive to the plastic parts in the equipment. Ensure that no water can get into the interior of the equipment. The ingress of water into an electric power tool increases the risk of an electric shock.

9.2 Maintenance

There are no other parts inside the equipment which require maintenance.

10. Disposal and recycling

The equipment is supplied in packaging to prevent it from being damaged in transit. The raw materials in this packaging can be reused or recycled. The equipment and its accessories are made of various types of material, such as metal and plastic. Never place defective equipment in your household refuse. The equipment should be taken to a suitable collection center for proper disposal. If you do not know the whereabouts of such a collection point, you should ask in your local council offices.

11. Storage

Store the equipment and its accessories out of children's reach in a dark and dry place at above freezing temperature. The ideal storage temperature is between 41°F and 86°F (5°C and 30°C). Keep the electric tool in its original packaging.

The reprinting or reproduction by any other means, in whole or in part, of documentation and papers accompanying the products is strictly subject to the express consent of Einhell Germany AG.

Subject to technical changes.



Danger! - Lire le mode d'emploi pour diminuer le risque de blessures.



Attention ! Portez une protection auditive. Le bruit peut provoquer une perte d'acuité auditive.



Attention ! Portez un masque anti-poussières. Des poussières nocives peuvent être générées lors des travaux avec le bois et autres matériaux. Ne travaillez pas avec un matériau contenant de l'amiante !



Attention ! Portez des lunettes de protection. Les étincelles créées pendant le travail ou les éclats, les copeaux et les poussières sortant de l'appareil peuvent entraîner la perte de la vue.



Conservez les batteries uniquement dans des locaux secs et à une température ambiante de 50-104 °F (+10-+40 °C). Conservez les batteries uniquement en état chargé (au moins 40 % de charge).



Danger! Risque de blessure par coupure.



Avertir! Les lames diamantées segmentées ne doivent pas être utilisées.

Danger !

Certaines mesures de sécurité doivent être respectées pendant l'utilisation des appareils pour empêcher les blessures et les dommages. Par conséquent, lisez attentivement le présent mode d'emploi / les consignes de sécurité. Conservez-les bien pour avoir les informations toujours à la portée de la main. Si vous devez passer l'appareil à d'autres personnes, veuillez leur remettre également le présent mode d'emploi / les consignes de sécurité. Nous ne sommes pas tenus des accidents ou dommages survenus à cause de non-respect du présent mode d'emploi et des consignes de sécurité.

1. Consignes de sécurité**Danger !**

Lisez toutes les consignes de sécurité et instructions. Le non-respect des consignes de sécurité et des instructions peut causer une électrocution, un incendie et / ou de graves blessures. **Conservez toutes les consignes de sécurité et instructions pour l'avenir.**

Consignes générales de sécurité pour les outils électriques

Le terme « outil électrique » utilisé dans les consignes de sécurité se réfère à des outils électriques alimentés par le secteur (avec câble d'alimentation) et à des outils électriques alimentés par la batterie (sans câble d'alimentation).

1. Sécurité du lieu de travail

- a) **Maintenez votre espace de travail propre et bien éclairé.** *Le désordre ou les espaces de travail non éclairés peuvent provoquer des accidents.*
- b) **Ne travaillez pas avec l'outil électrique dans une atmosphère explosible contenant des liquides, des gaz ou des poussières combustibles.** *Les appareils électriques génèrent des étincelles pouvant enflammer la poussière ou les vapeurs.*
- c) **Tenez à distance les enfants et autres personnes lors de l'utilisation de l'appareil électrique.** *En cas de distraction, vous pouvez perdre le contrôle de l'appareil.*

2. Sécurité électrique

- a) **La fiche de raccordement de l'appareil électrique doit être adaptée à la prise. La fiche ne doit être modifiée en aucune façon. N'utilisez pas de fiche d'adaptateur avec les outils électriques mis à la terre.** *Les fiches non modifiées et les prises adaptées diminuent le risque d'une électrocution.*
 - b) **Évitez le contact physique avec les surfaces mises à la terre, comme celles de conduits, des chauffages, des cuisinières et des réfrigérateurs.** *Il existe un risque élevé d'électrocution lorsque votre corps est mis à la terre.*
 - c) **Gardez les appareils électriques à l'abri de la pluie ou de l'humidité.** *La pénétration de l'eau dans un appareil électrique augmente le risque d'une électrocution.*
 - d) **Ne détournez pas le câble de sa fonction pour porter ou pour accrocher l'appareil électrique ou pour retirer la fiche de la prise. Gardez le câble à l'abri de la chaleur, de l'huile, des bords coupants ou des éléments mobiles de l'appareil.** *Les câbles endommagés ou enchevêtrés augmentent le risque d'une électrocution.*
 - e) **Si vous travaillez avec un appareil électrique dehors, utilisez uniquement une rallonge adaptée à l'usage à l'extérieur.** *L'utilisation d'une rallonge adaptée à l'usage à l'extérieur diminue le risque d'une électrocution.*
 - f) **Si l'appareil électrique doit être utilisé dans un environnement humide, utilisez un Disjoncteur de fuite à la terre.** *L'utilisation d'un disjoncteur de fuite à la terre diminue le risque d'une électrocution.*
- 3. Sécurité des personnes**
- a) **Soyez attentif, prenez garde à ce que vous faites et soyez raisonnable en travaillant avec un outil électrique. N'utilisez pas un appareil électrique si vous êtes fatigué ou si vous vous trouvez sous l'effet de drogues, d'alcool ou de médicaments.** *Un instant d'inattention lors de l'utilisation de l'appareil électrique peut entraîner de graves blessures.*
 - b) **Utilisez l'équipement de protection individuelle. Porter toujours une protection des yeux.** *L'équipement de protection, tel que le masque anti-poussière, les chaussures de sécurité antidérapantes, le casque protecteur ou la protection auditive utilisés dans des conditions appropriées, permet de réduire les*

dommages corporels.

- c) **Évitez tout démarrage non intentionnel. S'assurer que le bouton marche-arrêt est en position Arrêt (Off) avant de connecter la source de courant et/ou la BATTERIE, de prendre et de transporter l'outil.** *Transporter des outils électriques avec votre doigt sur le bouton marche-arrêt ou mettre sous tension des outils électriques dont le bouton marche-arrêt est position Marche (On) peut causer des accidents.*
- d) **Avant d'allumer l'outil électrique, retirez les outils de réglage ou les clés.** *Un outil ou une clé se trouvant dans un élément tournant de la machine peut entraîner des blessures.*
- e) **Évitez une posture anormale. Ayez un appui stable et gardez l'équilibre en permanence.** *Vous pouvez ainsi mieux contrôler l'outil électrique dans des situations imprévues.*
- f) **Portez des vêtements appropriés. Ne portez pas de vêtements amples ni de bijoux. Gardez les cheveux, les vêtements et les gants à distance des éléments mobiles.** *Des vêtements amples, bijoux ou longs cheveux peuvent être happés par les éléments mobiles.*
- g) **Si des dispositifs d'aspiration ou de récupération des poussières peuvent être montés, assurez-vous qu'ils sont connectés et peuvent être utilisés correctement.** *L'utilisation d'une aspiration des poussières peut diminuer les risques causés par la poussière.*
- h) **La familiarité acquise par l'utilisation fréquente des outils ne doit pas laisser place à la complaisance et à l'ignorance des principes de sécurité de l'outil.** *Une action imprudente peut causer de graves blessures en une fraction de seconde.*
- 4. Utilisation et traitement de l'outil électrique**
- **GARDEZ LES DISPOSITIFS DE PROTECTION EN PLACE** et en bon état de fonctionnement.
 - **RETIREZ LES CLÉS DE RÉGLAGE ;** prendre l'habitude de s'assurer que les clés de réglage sont retirées de l'outil avant de le démarrer.
 - **GARDEZ L'AIRE DE TRAVAIL PROPRE ;** les espaces de travail et les établis encombrés sont propices aux blessures.
 - **UTILISEZ L'OUTIL DANS DES ENDROITS APPROPRIÉS ;** ne pas exposer l'outil à la pluie ou à la neige, ni l'utiliser dans des endroits humides ou mouillés. Garder l'aire de travail bien éclairée.
 - **TENEZ LES ENFANTS À L'ÉCART ;** s'assurer que personne ne s'approche de l'aire de travail.
 - **S'ASSURER QUE L'ATELIER EST SÛR POUR LES ENFANTS ;** utilisez des cadenas, des interrupteurs centraux ou enlevez les commandes de démarrage.
 - **NE PAS FORCER L'OUTIL ;** pour obtenir de meilleurs résultats et prévenir les risques de blessure, laissez l'outil couper à la vitesse pour laquelle il a été conçu.
 - **UTILISEZ L'OUTIL APPROPRIÉ ;** ne pas forcer l'outil ou l'accessoire, ni l'utiliser pour des travaux autres que ceux pour lesquels il a été conçu.
 - **PORTEZ DES VÊTEMENTS APPROPRIÉS ;** ne pas porter de vêtements amples ni de gants, de cravate, de bague, de bracelet ou d'autres bijoux, car ceux-ci peuvent rester coincés dans les pièces mobiles. On recommande le port de chaussures antidérapantes. Couvrir ou attacher les cheveux longs. Se tenir éloigné des événements puisque ces derniers pourraient camoufler des pièces mobiles.
 - **TOUJOURS PORTER DES LUNETTES DE SÉCURITÉ ;** porter aussi un masque facial ou un masque anti-poussières lorsqu'on soulève de la poussière. Les lunettes ordinaires protègent uniquement les yeux contre les chocs et ne sont PAS des lunettes de protection.
 - **IMMOBILISEZ LA PIÈCE ;** toujours placer la tuile à plat sur l'établi et la fixer solidement contre le guide.
 - **NE JAMAIS UTILISER UN CHAUFFE-CUVETTE OU TOUT AUTRE DISPOSITIF DE CHAUFFAGE** pour chauffer l'eau afin d'éviter d'endommager l'outil ou d'entraîner des risques d'incendie ou de blessure.
 - **NE PAS TROP ÉTENDRE LES BRAS ;** les pieds doivent rester ancrés fermement au sol afin de maintenir son équilibre en tout temps.
 - **BIEN ENTREtenir L'OUTIL ;** afin d'obtenir de meilleurs résultats et faire preuve de prudence, garder l'outil propre et bien aiguisé. Suivre les consignes lorsqu'on lubrifie ou qu'on remplace les accessoires.
 - **DÉBRANCHEZ L'OUTIL** avant de procéder à l'entretien ou de remplacer des accessoires comme les lames, les brides de serrage, les rallonges, etc.

- **RÉDUIRE LES RISQUES DE DÉMARRAGE ACCIDENTEL** ; s'assurer que l'interrupteur est en position d'arrêt avant de brancher l'outil.
 - **UTILISEZ LES ACCESSOIRES RECOMMANDÉS** ; consultez le manuel d'utilisation pour savoir quels accessoires sont appropriés. L'utilisation d'accessoires autres que ceux recommandés pourrait entraîner des blessures.
 - **NE JAMAIS SE METTRE DEBOUT SUR L'OUTIL** ; si l'outil se renverse ou si l'outil de coupe est touché accidentellement, cela pourrait entraîner des blessures graves.
 - **VÉRIFIEZ LES PIÈCES ENDOMMAGÉES** ; avant de poursuivre les travaux, on doit examiner attentivement les dispositifs de protection, ou toute autre pièce endommagée, afin de s'assurer qu'il fonctionne toujours adéquatement et qu'il est en mesure d'effectuer les travaux pour lesquels il a été conçu. Vérifiez les pièces mobiles afin de s'assurer qu'elles sont bien alignées et qu'elles ne restent pas coincées; vérifiez également les pièces et les assemblages afin de s'assurer qu'il n'y a aucun bris ni aucune autre condition susceptible de nuire au bon fonctionnement de l'outil. On doit faire réparer ou remplacer toute pièce endommagée, y compris les dispositifs de protection.
 - **TOUJOURS RESPECTER LE SENS D'AVANCE** en faisant avancer la pièce dans la lame dans le sens de rotation seulement.
 - **NE JAMAIS LAISSER L'OUTIL FONCTIONNER SANS SURVEILLANCE; COUPEZ L'ALIMENTATION** et attendre que l'outil s'arrête complètement avant de quitter les lieux.
- 5. Utilisation et traitement de l'outil sans fil**
- a) S'assurer que l'interrupteur est en position d'arrêt avant d'insérer la batterie. L'insertion de la batterie dans des outils électriques dont l'interrupteur est en position de marche invite à des accidents.
 - b) **Chargez les batteries uniquement dans les chargeurs recommandés par le fabricant.** L'utilisation d'un chargeur pour des batteries non appropriées présente un risque d'incendie.
 - c) **Utilisez dans les outils électriques uniquement les batteries prévues à cet effet.** L'utilisation d'autres batteries peut entraîner des blessures et le risque d'incendie.
 - d) **Conservez la batterie non utilisée à distance des trombones, pièces de monnaie, clés, clous, vis ou autres menus objets en métal susceptibles de provoquer un pontage des contacts.** *Un court-circuit entre les contacts de la batterie peut entraîner des brûlures ou le feu.*
- e) **En cas d'utilisation incorrecte, un liquide peut s'échapper de la batterie. Ne le touchez pas. Rincez à l'eau en cas de contact fortuit. Si le liquide entre en contact avec les yeux, consultez également le médecin.** *Le liquide s'échappant de la batterie peut causer des irritations cutanées ou des brûlures.*
 - f) Débranchez la batterie de l'outil ou placez l'interrupteur en position verrouillée ou d'arrêt avant d'effectuer des réglages, de changer d'accessoires ou de ranger l'outil. Ces mesures de sécurité préventives réduisent le risque de démarrage accidentel de l'outil.
 - g) **Ne pas utiliser une BATTERIE ou un outil endommagé(e) ou modifié(e).** *Les batteries endommagées ou modifiées peuvent agir de manière imprévisible et donner lieu à un incendie, une EXPLOSION ou un risque de blessure.*
 - h) **Ne pas exposer une BATTERIE ou un outil au feu ou à une température excessive.** *Une exposition au feu ou à une température supérieure à 266°F (130°C) peut causer une explosion.*
 - i) **Suivre toutes les instructions de charge et ne pas charger la BATTERIE ou l'outil en dehors de la gamme de température spécifiée dans les instructions.** *Un mauvais chargement ou un chargement à des températures en dehors de la gamme spécifiée peut endommager la BATTERIE et augmenter les risques d'incendie.*
- 6. Service**
- a) **Faites réparer votre outil électrique uniquement par des spécialistes qualifiés et uniquement avec des pièces de rechange d'origine.** *Cela garantit le maintien de la sécurité de l'outil électrique.*
 - b) **Ne jamais entretenir des BATTERIES endommagées.** *L'entretien des BATTERIES doit être effectué uniquement par le fabricant ou par des prestataires de service autorisés.*
- Consignes spécifiques de sécurité**
- Nous construisons chaque batterie avec le plus grand soin possible pour pouvoir vous transmettre les batteries avec la densité énergétique, la durabilité et la sécurité maximales. Les cellules

de batterie sont munies de dispositifs de sécurité de plusieurs niveaux. Chaque cellule individuelle est d'abord formatée, et leurs courbes caractéristiques sont enregistrées. Ensuite, ces données sont utilisées pour pouvoir regrouper les meilleures batteries possible.

Malgré toutes les mesures de sécurité, il faut toujours être prudent en maniant les batteries. Les points suivants doivent être impérativement respectés pour assurer le fonctionnement sûr.

Le fonctionnement sûr n'est possible qu'avec des cellules intactes ! Une manipulation incorrecte endommage les cellules.

Attention ! Des analyses confirment que l'utilisation gravement inappropriée et des soins incorrects constituent la cause principale des dommages dus aux batteries haute performance.

Consignes concernant les batteries

1. La batterie de l'appareil sans fil n'est pas chargée à la livraison. Par conséquent, la batterie doit être chargée avant la première mise en service.
2. Évitez des cycles de décharge à plat pour garantir la performance maximale de la batterie ! Chargez souvent votre batterie.
3. Conservez votre batterie au frais, au mieux à 59 °F (+15 °C), et chargée d'au moins à 40%.
4. Les batteries Lithium-Ion sont sujettes au vieillissement naturel. La batterie doit être remplacée au plus tard lorsque la capacité de la batterie ne correspond plus qu'à 80 % de l'état neuf. Les cellules affaiblies dans une batterie vieilli ne tiennent plus la tête aux exigences élevées en terme de performance et présentent ainsi un risque de sécurité.
5. Ne jetez pas les batteries usées dans le feu ouvert. Risque d'explosion !
6. Ne pas allumer la batterie et ne pas l'exposer à la combustion.
7. **Ne pas décharger complètement la batterie !** La décharge complète endommage les cellules de la batterie. La cause la plus fréquente de la décharge complète de la batterie constitue un stockage ou non-utilisation prolongés des batteries à moitié chargées. Terminez l'opération dès que la puissance diminue visiblement ou la protection électronique réagit. Ne conservez la batterie que complètement chargée.
8. **Protéger les batteries et l'appareil contre la surcharge !** Une surcharge provoque ra-

pidement la surchauffe et l'endommagement des cellules à l'intérieur du boîtier de batterie, sans que cela puisse se voir de l'extérieur.

9. **Évitez les détériorations et les chocs !** Remplacez sur-le-champ les batteries ayant chuté d'une hauteur de plus d'un mètre ou ayant été exposées à des coups violents, même si le boîtier de la batterie semble intact. Les cellules de la batterie peuvent être sérieusement endommagées à l'intérieur. Respectez à cet égard également les consignes d'élimination.
10. En cas de surcharge et de surchauffe, le circuit de protection intégré éteint l'appareil pour des raisons de sécurité.
Attention ! N'actionnez plus l'interrupteur marche / arrêt lorsque le circuit de protection a éteint l'appareil. Cela peut endommager la batterie.
11. N'utilisez que des batteries d'origine. L'utilisation d'autres batteries peut entraîner des blessures, une explosion et le risque d'incendie.
12. **Protégez votre batterie de l'humidité, de la pluie et de l'humidité de l'air élevée.** L'humidité, la pluie et l'humidité de l'air élevée peuvent endommager dangereusement les cellules. En aucun cas, ne chargez ni ne travaillez avec la batterie qui a été exposée à l'humidité, à la pluie ou à l'humidité de l'air élevée – remplacez-les immédiatement !
13. Si votre appareil est équipé d'une batterie amovible, retirez-la de votre appareil à la fin de votre travail pour des raisons de sécurité.

Consignes concernant le chargeur et la charge

1. Tenez compte des informations indiquées sur la plaque signalétique du chargeur. Raccordez le chargeur uniquement à la tension d'alimentation indiquée sur la plaque signalétique.
2. Protégez le chargeur et le fil contre l'endommagement et les bords coupants. Les câbles endommagés doivent être immédiatement remplacés par un électricien.
3. Protéger le chargeur, les batteries et l'appareil sans fil contre les enfants.
4. Ne pas utiliser des chargeurs endommagés.
5. N'utilisez pas le chargeur fourni pour charger d'autres appareils sans fil.
6. En cas de forte sollicitation, la batterie se réchauffe. Laissez refroidir la batterie à la température ambiante avant le chargement.
7. **Ne pas surcharger les batteries !** Respec-

tez les durées maximales du chargement. Ces durées de chargement s'appliquent uniquement aux batteries déchargées. Le branchement répété d'une batterie chargée ou partiellement chargée entraîne la surcharge et l'endommagement des cellules. Ne pas laisser les batteries insérées dans le chargeur pendant plus que 48 heures.

8. **N'utilisez ni chargez pas les batteries que vous supposez avoir été chargées pour la dernière fois depuis plus de 12 mois.** Il est hautement probable que la batterie est déjà dangereusement endommagée (déchargement complet).
9. Un chargement à une température inférieure à 50 °F (10 °C) entraîne une détérioration chimique de la cellule et peut provoquer un incendie.
10. N'utilisez pas de batteries qui se sont réchauffées pendant le chargement, car les cellules de la batterie pourraient être dangereusement endommagées.
11. N'utilisez plus les batteries qui se sont bombées ou déformées pendant le chargement ou qui présentent des symptômes inhabituels (dégazage, sifflement, grésillement, ...).
12. Ne déchargez pas complètement la batterie (déchargement maximal recommandé max. 80 %). Le déchargement complet entraîne un vieillissement précoce des cellules de la batterie.
13. Ne charger jamais les batteries sans surveillance !

Protection contre l'impact environnemental

1. Portez des vêtements de travail appropriés. Porter des lunettes de protection.
2. **Protégez votre appareil sans fil et le chargeur contre l'humidité et la pluie.** L'humidité et la pluie peuvent entraîner des endommagements dangereux des cellules.
3. Ne pas utiliser l'appareil sans fil et le chargeur dans un espace contenant des vapeurs et des liquides combustibles.
4. Utilisez le chargeur et les appareils sans fil uniquement en état sec et à une température ambiante de 50-104 °F (10-40 °C).
5. Ne conservez pas la batterie dans des endroits où la température peut être supérieure à 104 °F (40 °C), en particulier dans un véhicule garé au soleil.
6. **Protégez les batteries contre la surchauffe !** Une surcharge, un chargement excessif ou le rayonnement solaire entraînent la surchauffe et détériorent les cellules. Ne

chargez ni travaillez en aucun cas avec les batteries qui ont été surchauffées, remplacez-les sans tarder.

7. **Conservation des batteries, des chargeurs et de l'appareil sans fil.** Conservez le chargeur et votre appareil sans fil uniquement dans des locaux secs à une température ambiante de 50-104 °F (10-40 °C). Conservez la batterie Lithium-Ion au frais et au sec à 50-68 °F (10-20 °C). Protégez contre l'humidité de l'air et le rayonnement solaire direct ! Conservez les batteries uniquement en état chargé (au moins 40 % de charge).
8. Empêchez que la batterie Lithium-Ion gèle. Les batteries qui ont été conservées plus de 60 minutes au-dessous de 32 °F (0 °C) doivent être éliminées.
9. Attention lors de la manipulation des batteries en rapport avec la charge électrostatique : les décharges électrostatiques endommagent la protection électronique et les cellules de la batterie ! Par conséquent, évitez les décharges électrostatiques et ne touchez jamais les pôles de la batterie !

Mise en garde concernant les batteries et informations sur leur élimination

Élimination

Si votre outil doit être remplacé après une période d'utilisation prolongée, ne le jetez pas avec les ordures ménagères, mais éliminez-le d'une manière respectueuse pour l'environnement.



Les déchets produits par les éléments d'un outil ou d'une machine électrique ne doivent pas être traités comme des déchets ménagers. Veuillez les recycler dans les installations prévues à cet effet.

Pour obtenir des conseils sur le recyclage, communiquez avec les services publics locaux ou avec votre revendeur.

Éliminez toujours les batteries en vous conformant aux réglementations fédérales, provinciales ou territoriales et locales. Communiquez avec un organisme de recyclage de votre région pour obtenir la liste des sites de recyclage.

⚠ MISE EN GARDE! Même déchargée, une batterie emmagasine une certaine énergie. Avant de l'éliminer, utilisez du ruban isolant pour couvrir les bornes et empêcher ainsi la batterie de provoquer un court-circuit, ce qui pourrait causer un incendie ou une explosion.

⚠ AVERTISSEMENT! Pour réduire le

risque de blessure ou d'explosion, ne jamais brûler ou incinérer une batterie, même si elle est endommagée, à plat ou complètement déchargée. En brûlant, des vapeurs et des matières toxiques sont émises dans l'atmosphère environnante.

1. Les batteries varient selon le type d'outils ou de machines. Consulter le manuel pour des renseignements spécifiques.
2. Le cas échéant, insérez uniquement des batteries neuves de même type dans l'outil ou la machine.
3. Si, en l'insérant, la polarité de la batterie n'est pas respectée, comme indiqué dans le compartiment à batterie ou dans le manuel, sa durée de vie pourrait être réduite ou elle pourrait fuir.
4. Ne pas mélanger des batteries anciennes et des neuves.
5. Ne pas mélanger des batteries alcalines, standard (carbone/zinc) ou rechargeables (au nickel-cadmium, au nickel-métal-hydrure ou au lithium-ion).
6. Ne jeter aucune batterie au feu. Les cellules de batterie peuvent exploser.
7. Les batteries doivent être recyclées ou éliminées en observant les directives provinciales ou territoriales et locales.

Pour expédier ou éliminer les batteries ou l'appareil sans fil, veillez à ce qu'ils soient emballés individuellement dans un sachet en plastique pour empêcher les courts-circuits ou les incendies !

Consignes de sécurité spéciales

Attention! Cette scie à carreaux est conçue pour la coupe à l'eau uniquement. La machine ne peut être utilisée qu'avec une lame de diamant non segmentée.

- **Mains mouillées**
Ne touchez jamais les composants électriques de la machine (par exemple les interrupteurs) avec les mains mouillées.
- **Connexions enfichables**
Toutes les connexions enfichables doivent être situées dans un endroit sec et ne doivent pas reposer sur le sol.
- **Refroidissement de la lame**
Assurez-vous que la lame est refroidie avec de l'eau pendant tout le processus de coupe.
- **Coupe à sec**
N'effectuez jamais de coupes à sec avec une lame conçue pour la coupe humide.

- **Protection contre la poussière**
Portez toujours un masque de protection contre la poussière lorsque vous coupez des carreaux.
- **Lames de diamant**
N'introduisez pas le carreau dans la machine plus vite que la lame ne peut le couper.
- **Lames utilisables :**
N'utilisez que des lames conçues pour une vitesse minimale de 3 000 tr/min.
- **Sélection de la lame**
Sélectionnez la lame de diamant en fonction du matériau que vous souhaitez couper.
- **Montage de la lame**
Avant d'installer la lame, vérifiez que l'arbre, l'écrou de l'arbre et les brides ne sont pas endommagés, usés ou mal ajustés. Remplacez sans tarder les pièces endommagées ou usées.
- **Sens de rotation de la lame**
Vérifiez la flèche de direction sur la lame ; la flèche doit pointer dans le même sens que le sens de rotation de l'arbre du moteur.
- **Arbre de lame**
Assurez-vous que le diamètre du trou dans la lame est le même que le diamètre de l'arbre de la lame sur la machine.
- **Protège-lame**
N'utilisez la scie à carreaux qu'avec un protège-lame correctement installé et réglé.
- **Vitesse de la lame**
Ne dépassez pas la vitesse de fonctionnement sécuritaire de la lame.
- **Ponçage/meulage avec la lame**
N'essayez pas d'utiliser la lame pour des travaux de ponçage ou de meulage, par exemple pour poncer/meuler le bord d'un carreau coupé. N'utilisez pas non plus la machine pour des coupes à rayon ou des coupes rondes.
- **Domaine d'application :**
Cette scie à carreaux convient uniquement à un usage domestique.
- **Temps d'arrêt de la lame :**
La lame a besoin de quelques secondes pour s'arrêter après l'arrêt de la machine. Attendez que la lame s'arrête complètement, puis retirez la batterie et touchez ensuite la lame de la machine si nécessaire.
- **Lame en rotation:**
Évitez tout contact avec la lame en rotation lorsque la machine est en marche.
- **Pièces électriques :**
Gardez l'eau à l'écart des parties électriques de l'outil et des personnes se trouvant dans la

- zone de travail !
- **Modifications techniques :**
Pour se conformer aux exigences imposées par les règles de sécurité, toutes les modifications techniques qui modifient les caractéristiques de l'équipement (par exemple la vitesse) doivent être laissées strictement au fabricant.
- **Les règles de sécurité :**
Avant chaque utilisation de la machine, assurez-vous qu'elle est toujours conforme aux règles de sécurité. Pour des raisons de sécurité, vous devez remplacer chaque outil endommagé (fissuré).
- **Utilisation d'autres outils :**
L'utilisation de tout autre type de lames ou d'outils (tels que des lames de scie circulaire) qui ne sont pas mentionnés dans les instructions ci-jointes n'est pas autorisée.
- **Niveau de l'eau :**
Assurez-vous qu'il y a suffisamment d'eau dans le réservoir d'eau.
- **Zone de travail :**
Assurez-vous qu'il n'y a personne dans la zone de travail en dehors de l'opérateur.

Cet équipement n'est pas destiné à être utilisé par des personnes (y compris des enfants) ayant des capacités physiques, sensorielles ou mentales réduites ou manquant d'expérience et/ou de connaissances. Les enfants doivent toujours être surveillés pour s'assurer qu'ils ne jouent pas avec l'équipement.

CONSERVEZ CES INSTRUCTIONS

2. Description de l'appareil et contenu de l'emballage

2.1 Description de l'appareil

1. Butée d'onglet
2. Guide à refendre
3. Protège-lame
4. Table de coupe
5. Réservoir d'eau
6. Couvercle du réservoir d'eau
7. Garde de sécurité de la lame
8. Boulon hexagonal du protège-lame
9. Bouton de verrouillage du protège-lame
10. Attache de fixation
11. Bouchon de vidange d'eau
12. Interrupteur marche/arrêt
13. Vis de fixation pour lame à fendre

14. Lame de diamant turbo
15. Bride extérieure
16. Échelle
17. Boîtier
18. Lame à fendre
19. Clé polygonale
20. Contre-appui
21. Loquet du couvercle de sécurité de la batterie
22. Couvercle de sécurité de la batterie
23. Support de la batterie
24. Batterie (non fourni)
25. Touche d'enclenchement
26. Témoin de charge de la batterie
27. Bouton de témoin de charge de la batterie
28. Écrou

2.2 Contenu d'emballage

Veillez contrôler l'intégralité de l'article au moyen du contenu d'emballage décrit. En cas de pièces manquantes, veuillez contacter notre centre de service à la clientèle ou le point de vente où vous avez acheté l'appareil au plus tard dans les 5 jours ouvrables à compter de l'achat de l'article en présentant un ticket de caisse valable.

- Ouvrez l'emballage et retirez prudemment l'appareil.
- Enlevez le matériau d'emballage ainsi que les sécurités d'emballage et de transport (le cas échéant).
- Vérifiez l'intégralité du contenu d'emballage.
- Vérifiez si l'appareil et les accessoires présentent des dommages dus au transport.
- Si possible, conservez l'emballage jusqu'à l'expiration de la durée de garantie.

Danger !

L'appareil et le matériau d'emballage ne sont pas un jouet ! Les enfants ne doivent pas jouer avec des sachets en plastique, des films ou de petites pièces ! Il existe le risque d'ingestion et de suffocation !

- Protège-lame avec lame à fendre
- Lame de diamant turbo
- Guide à refendre
- Butée d'onglet
- 2x Clé polygonale / contre-appui
- Mode d'emploi d'origine avec consignes de sécurité

Accessoires disponibles séparément

- 18V 1,5Ah PXC batterie Lithium-Ion
- 18V 2,0Ah PXC batterie Lithium-Ion
- 18V 2,5Ah PXC batterie Lithium-Ion
- 18V 3,0Ah PXC batterie Lithium-Ion

18V 4,0Ah PXC batterie Lithium-Ion
 18V 3,0Ah PXC Plus batterie Lithium-Ion
 18V 4,0Ah PXC Plus batterie Lithium-Ion
 18V 5,2Ah PXC Plus batterie Lithium-Ion
 18V 4,0Ah/6,0Ah PXC Plus batterie Lithium-Ion
 18V 5,0Ah/8,0Ah PXC Plus batterie Lithium-Ion
 18V PXC chargeur rapide à double raccord
 18V PXC chargeur rapide

Contactez votre détaillant pour les modèles plus spécifiques de batteries et de chargeurs disponibles dans votre région. Vous pouvez également explorer les options de batterie + chargeur sur Einhell.com.

3. Utilisation conforme


Cette scie à carreaux à l'eau est conçue pour la coupe standard de carreaux de petite et moyenne taille (carreaux émaillés, carreaux de céramique ou similaires) qui peuvent être adaptés à la taille de la machine. Elle ne doit jamais être utilisée pour couper du bois ou du métal. **La machine doit être utilisée exclusivement pour l'usage auquel elle est destinée.** Toute autre utilisation est considérée comme un cas d'abus. L'utilisateur/opérateur et non le fabricant sera tenu responsable des dommages et/ou blessures de toute nature résultant d'une telle mauvaise utilisation. La machine ne doit être utilisée qu'avec des lames de diamant appropriés. Les lames de scie ne doivent jamais être utilisées. Le respect des consignes de sécurité, des instructions de montage et des conseils et instructions d'utilisation contenus dans les instructions d'utilisation relève également des conditions d'utilisation. Toutes les personnes qui utilisent et entretiennent l'équipement doivent connaître ce manuel et être informées des dangers potentiels de la machine. De plus, le strict respect des règlements de prévention des accidents en vigueur dans votre région, ainsi que de toutes les autres règles générales de santé et de sécurité au travail, est impératif. La responsabilité du fabricant est considérée comme nulle si la machine est modifiée de quelque manière que ce soit et le fabricant décline donc toute responsabilité pour les dommages résultant de modifications. Même lorsque l'équipement est utilisé conformément aux prescriptions, il est toujours impossible d'éliminer certains facteurs de risque résiduels. Les dangers suivants peuvent survenir en relation avec la construction et la conception de la machine :

- Contact avec la lame de diamant là où elle n'est pas recouvert.
- Contact avec la lame de diamant pendant qu'elle tourne.
- Des pointes de diamant défectueuses s'envolent de la lame.
- Recul des pièces et parties de pièces en raison d'une mauvaise manipulation.
- Dommages à l'ouïe si une protection auditive n'est pas utilisée au besoin.

La machine ne doit être utilisée que conformément à sa destination. Toute autre utilisation dépassant ce cadre n'est pas conforme. C'est l'utilisateur / l'opérateur qui est responsable de tous les dommages ou blessures de toute nature en résultant et non pas le fabricant.

Veuillez noter que nos appareils n'ont pas été conçus pour une utilisation commerciale, artisanale ou industrielle. Nous n'accordons aucune garantie si l'appareil est utilisé dans des entreprises commerciales, artisanales ou industrielles ou pour des activités équivalentes.

4. Caractéristiques techniques

Alimentation du moteur: 18V 
 Vitesse sans charge (tr/min) : 3800
 Hauteur de coupe 90° : 24 mm (15/16")
 Hauteur de coupe 45° : 16 mm (5/8")
 Dimensions de la table de coupe : 305 x 335 mm (12" x 13 3/16")
 Diamètre de la lame : 115 mm (4 1/2")
 Diamètre de l'arbre : 22,2 mm (7/8")
 Poids (Outil seulement): 3,4 kg (7.5 lb)

Portez une protection auditive.

Le bruit peut provoquer une perte d'acuité auditive.

Limitez à un minimum l'émission de bruit et les vibrations !

- Utilisez uniquement des appareils irréprochables.
- Entretenez et nettoyez l'appareil régulièrement.
- Adaptez votre méthode de travail à l'appareil.
- Ne surchargez pas l'appareil.
- Faites examiner l'appareil le cas échéant.
- Éteignez l'appareil lorsqu'il n'est plus utilisé.
- Portez des gants.

Attention !**Risques résiduels**

Il existe toujours des risques même si vous vous servez correctement de cet outil électrique. Les risques suivants peuvent se produire en rapport avec la structure et la réalisation de cet outil électrique :

1. Lésions pulmonaires, si vous ne portez pas de masque anti-poussières approprié.
2. Lésions auditives, si vous ne portez pas de protection auditive appropriée.
3. Dommages pour la santé résultant des vibrations mains-bras, si votre appareil est utilisé d'une manière prolongée ou tenu et entretenu de manière incorrecte.

5. Information important

Veillez lire attentivement le mode d'emploi et respecter les informations fournies. Il est important de consulter ces instructions pour se familiariser avec l'équipement, sa bonne utilisation et les règles de sécurité.

Danger !

Pour des raisons de sécurité, la scie à carreaux ne doit pas être utilisée par des enfants, des jeunes de moins de 16 ans ou toute autre personne n'ayant pas pris connaissance de ces instructions d'utilisation.

- Scie à carreaux portative pour carreaux de taille moyenne.
- Découpe avec la lame de diamant.
- Réaliser des coupes angulaires avec la surface de travail inclinable (max. 45 degrés).
- Refroidissement de la lame avec butée d'onglet.
- Auge comme réservoir d'eau de refroidissement (pour remplir l'auge, vous devez retirer le couvercle du réservoir d'eau).
- Si la lame se coince, éteignez l'équipement et débranchez la batterie ; ce n'est qu'alors que vous devez retirer la pièce.

6. Avant la mise en marche**Avertissement !**

Retirez toujours la batterie avant d'effectuer des réglages sur l'équipement.

- La machine doit être installée de manière à pouvoir se tenir fermement, par exemple sur un banc de travail.
- Tous les capots et dispositifs de sécurité doivent être correctement installés avant la mise en marche de la machine.
- La lame de diamant doit pouvoir tourner librement.
- Avant d'actionner l'interrupteur marche/arrêt, assurez-vous que la lame de diamant est correctement montée et que les pièces mobiles de la machine fonctionnent sans à-coups.
- Avant d'utiliser la machine, vérifiez que toutes les pièces ne sont pas endommagées et remplacez les pièces endommagées. Lors du remplacement de pièces ou d'accessoires, suivez toujours attentivement les instructions de ce manuel.
- Pour des performances optimales et une sécurité maximale, maintenez la machine propre en permanence.
- Pendant que la machine est en marche, vérifiez les pièces d'usure et les fixations des pièces éventuellement desserrées et vérifiez que tous les accessoires sont correctement montés.
- **Caution ! Cette scie à carreaux est conçue pour être utilisée avec de l'eau.**
- Vérifiez que le niveau d'eau est suffisamment élevé pour recouvrir la partie diamantée de la lame à chaque fois avant de commencer une opération de coupe et continuez à le vérifier également pendant la coupe. Remplissez/rechargez l'eau de refroidissement directement dans le réservoir.

7. Montage

Danger ! Retirez la batterie avant d'effectuer des travaux d'entretien, de réinitialisation ou de montage sur la scie à carreaux.

Assemblez l'équipement comme indiqué dans les Fig. 3-12.

7.1 Montage de la lame en diamant (Fig. 3,4,5)

Pour monter la lame, procédez comme suit :

- Retirez le couvercle du réservoir d'eau (6) (Fig. 3).
- Tirez le garde de sécurité de la lame (7) vers le haut et vers l'extérieur pour le retirer (Fig. 4).
- Dévissez l'écrou (28) de l'arbre du moteur et retirez la bride extérieure (15) (Fig. 4).
- Placer la lame (14) sur la bride intérieure puis placez la bride extérieure sur la lame. Important! Vérifiez que la lame tourne dans le bon sens !
- Revissez l'écrou (28) à la main sur l'arbre du moteur.
- Placer la clé polygonale (19) sur l'écrou (28) et utiliser le contre-appui (20) pour bloquer l'arbre du moteur (Fig. 5).
- Serrez l'écrou (28) à l'aide de la clé polygonale.
- Réinsérez le garde de sécurité de la lame et réinstallez le couvercle du réservoir d'eau.

7.2 Montage de la lame à fendre (Fig. 6)

- Dévissez la vis de fixation (13) prémontée de la table de coupe (4).
- Fixez la lame à fendre (18) sur la table de coupe à l'aide de la vis de fixation.
- La lame à fendre doit être positionnée au centre le long d'une ligne imaginaire s'étendant derrière la lame (14), de sorte qu'il ne soit pas possible que le matériau se coince.

7.3 Montage du protège-lame (Fig. 7)

- Placez le protège-lame (3) sur la lame à fendre (18) qui est montée sur l'équipement.
- Insérez le boulon hexagonal (8) à travers le protège-lame et la lame à fendre.
- Serrez le bouton de verrouillage (9) sur le boulon hexagonal.

7.4 Changer une lame de diamant usée (Fig. 3,4,5,9,12)

Pour remplacer une lame usée, procédez comme suit :

- Retirez la batterie en appuyant et en maintenant la touche d'enclenchement (25) tout en tirant la batterie (24) hors du support de batterie (23) (Fig. 9).
- Retirez le couvercle du réservoir d'eau (6) (Fig. 3).
- Si nécessaire, retirez le bouchon de vidange d'eau (11) pour évacuer l'eau du réservoir d'eau (Fig. 12).
- Tirez le garde de sécurité de la lame (7) vers le haut et vers l'extérieur pour le retirer (Fig. 4).
- Placez la clé polygonale (19) sur l'écrou (a) et utiliser le contre-appui (20) pour bloquer l'arbre du moteur (Fig. 5).
- Utilisez la clé polygonale pour dévisser l'écrou et retirer la bride extérieure (15).
- Retirez la lame usée (14) et nettoyez soigneusement la bride extérieure de la lame.
- Placez la nouvelle lame sur la bride intérieure et remonter la bride extérieure sur la lame. Important! Vérifiez que la lame tourne dans le bon sens !
- Bloquez à nouveau l'arbre du moteur avec le contre-appui et serrez l'écrou avec la clé polygonale (Fig. 5).
- Réinsérez le garde de sécurité de la lame et réinstallez le couvercle du réservoir d'eau.

8. Opération

8.1 Remplissage du réservoir d'eau/vidange de l'eau (Fig. 3,11,12)

- Retirez le couvercle du réservoir d'eau (6) (Fig. 3).
- Versez de l'eau dans le réservoir d'eau (5) jusqu'au repère « MAX » (Fig. 11).
- Si nécessaire, retirez le bouchon de vidange d'eau (11) pour évacuer l'eau du réservoir d'eau (Fig. 12).

Important ! Gardez un contrôle constant sur le niveau d'eau.

8.2 Insertion/retrait de la batterie (Fig. 9)

- Ouvrez le couvercle de sécurité de la batterie (22) et insérez la batterie (24) dans le support de batterie (23).
- Appuyez sur la touche d'enclenchement (25) de la batterie et maintenez-la enfoncée pour retirer à nouveau la batterie du support de batterie.

8.3 Interrupteur marche/arrêt (Fig. 1)

- Vous pouvez allumer la scie à carreaux en relevant l'interrupteur (12).
- Pour éteindre la scie à carreaux, vous devez abaisser l'interrupteur.

8.4 Coupe uniforme (Fig. 13)

- Réglez la largeur de coupe avec le guide à refendre (2) et fixez-le avec les attaches de fixation (10).
- La largeur de la pièce peut être lue sur l'échelle (16).
- La Fig. 13 montre la position correcte de vos mains pendant la coupe régulière. L'avance ne doit pas dépasser la capacité de coupe de la lame. Cela permet de s'assurer qu'aucun matériau ne se détache, car cela pourrait provoquer des accidents ou des blessures.

8.5 Réglage de l'angle pour la coupe en onglet (Fig. 14,15)

- Positionnez le couvercle du réservoir d'eau (6) pour une coupe d'onglet à 45° en position haute (Fig. 14).
- Positionnez le couvercle du réservoir d'eau pour une coupe d'onglet de 22,5° en position basse (Fig. 15).

8.6 Coupe en onglet (22.5°; 45°) (Fig. 14,15,16)

- Fixez le couvercle du réservoir d'eau (6) dans l'angle requise (voir section 8.5 « Réglage de l'angle pour la coupe d'onglet ») (Fig. 14, 15).
- Fixez le guide à refendre à l'aide des attaches de fixation (10) comme indiqué à la Fig. 16.
- Placez le carreau avec sa face émaillée sur le couvercle du réservoir d'eau (Fig. 16).
- La Fig. 16 montre la position correcte de vos mains pendant la coupe d'onglet. Votre main gauche maintient la pièce en contact avec la lame tandis que votre main droite pousse la pièce vers l'avant. L'avance ne doit pas dépasser la capacité de coupe de la lame. Cela permet de s'assurer qu'aucun matériau ne se détache, car cela pourrait provoquer des accidents ou des blessures.

- Effectuez une coupe d'essai avec un carreau de rechange afin de pouvoir vérifier les résultats de la coupe.

Important! Si la lame se coince, éteignez l'équipement et retirez la batterie ; ce n'est qu'alors que vous devez retirer la pièce.

8.7 Chargement de la batterie au Lithium-Ion (non inclus)

Vous trouverez les instructions correspondantes dans le mode d'emploi d'origine de votre chargeur.

8.8 Affichage de la capacité de la batterie (image 10/Pos. 26)

Appuyez sur l'interrupteur de l'affichage de la capacité de la batterie (27). L'affichage de la capacité de la batterie (26) signale l'état de charge de la batterie au moyen de 3 DEL.

Les 3 DEL s'allument:

La batterie est complètement chargée.

2 ou 1 DEL s'allument:

La batterie a une charge résiduelle suffisante.

1 DEL clignote:

La batterie est déchargée, chargez la batterie.

Tous les voyants clignotent :

La température de la batterie est trop basse. Retirez la batterie de l'appareil, laissez-la à température ambiante pendant une journée. Si le défaut se reproduit, cela signifie que la batterie rechargeable a subi une décharge complète et est défectueuse. Retirez la batterie de l'équipement. N'utilisez ou ne chargez jamais une batterie défectueuse.

9. Nettoyage et entretien

Danger !

Avant tout travail de nettoyage, retirez la batterie de l'appareil.

9.1 Nettoyage

- Maintenez les dispositifs de protection, les fentes d'aération et les carters de moteur aussi exempt de poussières et de saletés que possible. Frottez l'appareil avec un linge propre et nettoyez-le à l'air comprimé à basse pression.
- Nous recommandons de nettoyer l'appareil directement après chaque utilisation.
- Nettoyez l'appareil régulièrement avec un linge humide et un peu de savon doux. N'utilisez pas de détergeant ni de solvants ; ils peuvent détériorer les éléments en plastique de l'appareil. Veillez à ce que l'eau ne puisse pas pénétrer à l'intérieur de l'appareil. La pénétration de l'eau dans un appareil électrique augmente le risque d'une électrocution.

9.2 Entretien

L'intérieur de l'appareil ne contient pas de pièces exigeant un entretien.

10. Élimination et recyclage

L'appareil se trouve dans un emballage pour empêcher les dommages dus au transport. Cet emballage constitue une matière première et peut par conséquent être réutilisé ou peut être recyclé. L'appareil et ses accessoires sont fabriqués à partir de différents produits, comme par exemple le métal et les matières plastiques. Ne jetez pas les appareils défectueux dans les déchets ménagers. Pour être éliminé de façon appropriée, l'appareil devrait être déposé à un lieu de collecte approprié. Si vous ne connaissez aucun lieu de collecte, informez-vous auprès de l'administration municipale.

11. Entreposage

Entreposez l'appareil et ses accessoires dans un endroit sombre, sec et exempt de gel ainsi que hors la portée des enfants. La température d'entreposage optimale se situe entre 41 °F et 86 °F (5 °C et 30 °C). Entreposez l'outil électrique dans l'emballage d'origine.

Une réimpression ou toute autre reproduction de la documentation et des documents accompagnant les produits, même par extraits, ne sont autorisées qu'avec accord exprès d'Einhell Germany AG.

Sous réserve des modifications techniques.



Peligro! - Leer el manual de instrucciones para reducir cualquier riesgo de sufrir daños.



Cuidado! Usar **protección para los oídos**. La exposición al ruido puede ser perjudicial para el oído.



Cuidado! Es preciso ponerse una **maskarilla de protección**. Puede generarse polvo dañino para la salud cuando se realicen trabajos en madera o en otros materiales. ¡Está prohibido trabajar con material que contenga asbesto!



Cuidado! Llevar **gafas de protección**. Durante el trabajo, la expulsión de chispas, astillas, virutas y polvo por el aparato pueden provocar pérdida de vista.



Almacenamiento de las baterías sólo en espacios secos con una temperatura ambiente de 50°F to 104°F (+10°C to +40°C). Guardar las baterías únicamente cuando estén cargadas (mín. al 40%).



Peligro! Peligro de corte.



Cuidado! No utilizar muelas de tronzar de diamante segmentadas.

Peligro!

Al usar aparatos es preciso tener en cuenta una serie de medidas de seguridad para evitar lesiones o daños. Por este motivo, es preciso leer atentamente este manual de instrucciones/advertencias de seguridad. Guardar esta información cuidadosamente para poder consultarla en cualquier momento. En caso de entregar el aparato a terceras personas, será preciso entregarles, asimismo, el manual de instrucciones/advertencias de seguridad. No nos hacemos responsables de accidentes o daños provocados por no tener en cuenta este manual y las instrucciones de seguridad.

1. Instrucciones de seguridad**Peligro!**

Lea todas las instrucciones de seguridad e indicaciones. El incumplimiento de dichas instrucciones e indicaciones puede provocar descargas, incendios y/o daños graves. **Guarde todas las instrucciones de seguridad e indicaciones para posibles consultas posteriores.**

Instrucciones generales de seguridad para herramientas eléctricas

El término de "herramienta eléctrica" que se usa en las instrucciones de seguridad se refiere a las herramientas que funcionan en red (con cable de conexión) y con batería (sin cable de conexión).

1. Seguridad en el lugar de trabajo

- a) **Mantener limpia y bien iluminada la zona de trabajo.** *Las zonas de trabajo desordenadas o sin luz pueden conllevar accidentes.*
- b) **No trabajar con este aparato eléctrico en un entorno explosivo en el que se hallen líquidos, gases o polvos inflamables.** *Las herramientas eléctricas generan chispas que pueden inflamar el polvo o los vapores.*
- c) **Mantener alejados a niños y a otras personas fuera del alcance de la herramienta eléctrica.** *Las distracciones pueden hacer perder el control sobre el aparato.*

2. Seguridad eléctrica

- a) **El enchufe del aparato eléctrico debe ser el adecuado para la toma de corriente. El enchufe no debe ser modificado de ningún modo. No emplear adaptadores de enchufe con aparatos eléctricos puestos a tierra.** *Los enchufes sin modificar y las*

tomas de corriente adecuadas reducen el riesgo de una descarga eléctrica.

- b) **Evitar el contacto corporal con superficies con toma de tierra como tubos, calefacciones, fogones y frigoríficos.** *Existe un gran riesgo de descarga eléctrica si su cuerpo se halla puesto a tierra.*
 - c) **Mantener los aparatos eléctricos alejados de la lluvia o la humedad.** *Si entra agua en el aparato eléctrico existirá mayor riesgo de una descarga eléctrica.*
 - d) **No utilizar el cable de forma inadecuada, no utilizarlo para transportar el aparato, colgarlo o retirarlo de la toma de corriente. Mantener el cable alejado del calor, aceites, cantos afilados o partes del aparato en movimiento.** *Los cables dañados o mal enrollados aumentan el riesgo de descarga eléctrica.*
 - e) **Si se trabaja con una herramienta eléctrica al aire libre, emplear sólo alargaderas que también sean adecuadas para el exterior.** *El empleo de una alargadera apropiada para trabajos en el exterior reduce el riesgo de descarga eléctrica.*
 - f) **Si no se puede evitar tener que utilizar la herramienta eléctrica en un entorno húmedo, utilizar un dispositivo de protección diferencial.** *El uso de un dispositivo de protección diferencial reduce el riesgo de sufrir una descarga eléctrica.*
- 3. Seguridad de personas**
- a) **Prestar atención al trabajo, comprobar lo que se está haciendo y proceder de forma razonable durante el trabajo de una herramienta eléctrica. No emplear la herramienta eléctrica si se está cansado o bajo la influencia de drogas, alcohol o medicamentos.** *Una mínima falta de atención durante el uso de la herramienta eléctrica puede causar lesiones graves.*
 - b) **Llevar equipo de protección personal. Llevar siempre gafas protectoras.** *El equipo de protección (como mascarilla antipolvo, calzado de seguridad antideslizante, casco o protección auditiva) usado en las condiciones adecuadas sirve para reducir las lesiones personales.*
 - c) **Prevenir un arranque no intencionado. Asegurarse de que el interruptor se encuentre en la posición OFF antes de conectar la herramienta a la fuente eléctrica y/o BATERÍA, alzarla o transportarla.** *El transporte de herramientas eléctricas con el*

dedo en el interruptor o la activación de herramientas eléctricas con el interruptor en ON puede provocar accidentes.

- d) **Retirar las herramientas de ajuste o la llave antes de conectar la herramienta eléctrica.** *Una herramienta o llave que se haya olvidado en partes giratorias del aparato puede producir lesiones.*
- e) **Evitar trabajar en una posición corporal inadecuada. Adoptar una posición segura y mantener en todo momento el equilibrio.** *Ello permite controlar mejor la herramienta eléctrica en situaciones inesperadas.*
- f) **Llevar ropa de trabajo adecuada. No llevar ropa holgada ni joyas durante el trabajo. Mantener el cabello, la ropa y los guantes alejados de las piezas en movimiento.** *La ropa holgada, las joyas o los cabellos largos pueden ser atrapados por las piezas en movimiento.*
- g) **Si el aparato permite instalar dispositivos de aspiración y recogida del polvo, es preciso asegurarse de que estén conectados y se empleen de forma correcta.** *La utilización de un aspirador de polvo puede reducir los peligros provocados por el mismo.*
- h) **A pesar de estar muy familiarizado con el uso de las herramientas, no confiarse en exceso ni ignorar las normas de seguridad de la herramienta.** *Un descuido puede conllevar una lesión grave en milésimas de segundo.*

4. Empleo y tratamiento de la herramienta eléctrica

- **MANTENGA LOS PROTECTORES EN SU SITIO** y en buenas condiciones de funcionamiento.
- **QUITE LAS LLAVES DE AJUSTE.** Hágase el hábito de comprobar que la herramienta no tenga ninguna llave de ajuste puesta antes de encenderla.
- **MANTENGA LIMPIA EL ÁREA DE TRABAJO.** Las áreas y mesas de trabajo desordenadas aumentan el riesgo de lesiones.
- **NO UTILICE LA HERRAMIENTA EN AMBIENTES PELIGROSOS.** No utilice máquinas herramienta en lugares húmedos o mojados ni las exponga a lluvia o nieve. Mantenga el área de trabajo bien iluminada.
- **MANTENGA ALEJADOS A NIÑOS.** Toda visita debería mantenerse a una distancia segura del área de trabajo.
- **QUE SU TALLER SEA A PRUEBA DE NIÑOS.** Para ello utilice candados o interrupto-

res maestros o quite las llaves de arranque.

- **NO FUERCE LA HERRAMIENTA.** La herramienta hace el trabajo mejor y más seguro a la velocidad para la cual fue diseñada.
- **UTILICE LA HERRAMIENTA CORRECTA.** No fuerce la herramienta o el accesorio a que realice una tarea para la cual no fue diseñada.
- **USE ROPA ADECUADA.** No lleve ropa suelta, guantes, corbatas, anillos, pulseras u otras joyas que podrían engancharse en las piezas móviles. Se recomienda el uso de calzado antideslizante. Cúbrase y recójase el pelo si lo tiene largo. Los orificios de ventilación suelen cubrir piezas en movimiento, por lo que también se deben evitar.
- **USE SIEMPRE LENTES DE SEGURIDAD.** Utilice además una máscara para la cara o guardapolvo si la operación de corte genera demasiado polvo. Los anteojos de uso diario sólo tienen lentes resistentes a golpes, NO son anteojos de seguridad.
- **AFIRME BIEN SU TRABAJO.** Coloque siempre la pieza de cerámica horizontalmente sobre el carro y firmemente contra el guía.
- **NUNCA USE UN CALENTADOR O NINGÚN TIPO DE FUENTE DE CALOR PARA CALENTAR EL AGUA.** Podría resultar en daños a la herramienta, incendios o lesiones corporales.
- **NO SE SOBREEXTIENDA.** Manténgase siempre bien apoyado y equilibrado.
- **CUIDE LAS HERRAMIENTAS.** Mantenga las herramientas afiladas y limpias para un funcionamiento mejor y más seguro. Siga las instrucciones para lubricar y cambiar accesorios.
- **DESCONECTE LAS HERRAMIENTAS** antes de realizar mantenimiento o reparaciones cuando cambie accesorios tales como discos de corte, tuercas de fijación, alargadores, etc.
- **REDUZCA EL RIESGO DE PUESTAS EN MARCHA ACCIDENTALES.** Asegúrese de que el conmutador esté apagado antes de enchufarla.
- **UTILICE LOS ACCESORIOS RECOMENDADOS.** Consulte el manual de instrucciones para conocer los accesorios recomendados. El uso de accesorios no debidos puede producir un riesgo de lesiones corporales.
- **NUNCA SE PARE SOBRE LA HERRAMIENTA.** Podría sufrir graves lesiones si la herramienta se cae a un lado o si se entra en contacto no intencionado con la herramienta de corte.

- **REVISE LAS PIEZAS DAÑADAS.** Antes de utilizar esta herramienta, revise cuidadosamente los protectores o piezas dañadas para determinar si la herramienta podrá funcionar debidamente y realizar la función para la cual fue diseñada – revise las piezas móviles para confirmar su alineación y capacidad de movimiento; confirme que todas las piezas estén enteras y debidamente ensambladas y que no exista ninguna condición que pudiera afectar su operación. Cualquier protector o pieza dañada debe repararse debidamente o cambiarse.
 - **DIRECCIÓN DE LA ALIMENTACIÓN.** Aliméntele la pieza de trabajo al disco de corte sólo en la dirección de rotación.
 - **JAMÁS DEJE SIN SUPERVISIÓN UNA HERRAMIENTA EN FUNCIONAMIENTO. APAGUE LA HERRAMIENTA.** No deje la herramienta hasta que no se haya detenido completamente.
- 5. Empleo y tratamiento de la herramienta eléctrica**
- a) Asegúrese de que el interruptor está en la posición de apagado antes de insertar la batería. Insertar el paquete de baterías en herramientas eléctricas que tienen el interruptor encendido invita a accidentes.
 - b) **Cargar la batería sólo en cargadores recomendados por el fabricante.** *Existe el peligro de incendio si se utiliza un cargador, indicado sólo para un tipo concreto de baterías, para otro tipo de baterías.*
 - c) **Utilizar sólo las baterías indicadas para la herramienta eléctrica en cuestión.** *El uso de otras baterías puede provocar daños y conllevar peligro de incendio.*
 - d) **Mantener cualquier batería que no se esté utilizando alejada de grapas, monedas, llaves, clavos, tornillos u otros objetos metálicos pequeños que podrían provocar un puenteo de los contactos.** *Un cortocircuito entre los contactos de la batería puede tener como consecuencia quemaduras o provocar fuego.*
 - e) **Si se utiliza incorrectamente podría salir líquido de la batería. Evitar el contacto con el líquido. En caso de tocar accidentalmente el líquido, lavar la zona afectada con agua. Si el líquido penetra en los ojos, acudir a un médico.** *El líquido de la batería puede provocar irritaciones en la piel o quemaduras.*
- f) Desconecte el paquete de baterías de la herramienta o coloque el interruptor en la posición de bloqueo o apagado antes de realizar cualquier ajuste, cambiar accesorios o guardar la herramienta. Estas medidas preventivas de seguridad reducen el riesgo de que la herramienta se ponga en marcha accidentalmente.
 - g) **No utilizar BATERÍAS ni herramientas que estén dañadas o modificadas.** *Las baterías dañadas o modificadas pueden manifestar comportamientos impredecibles que pueden dar lugar a incendio, EXPLOSIÓN o riesgo de lesión.*
 - h) **No exponer una BATERÍA ni herramienta al fuego o a una temperatura excesiva.** *La exposición al fuego o a una temperatura superior a los 266°F (130°C) puede provocar una explosión.*
 - i) **Seguir todas las instrucciones de carga y no cargar la BATERÍA ni herramienta fuera del margen de temperatura especificado en las instrucciones.** *Una carga inadecuada o a temperaturas fuera del margen especificado puede dañar la batería e incrementar el riesgo de incendio.*
- 6. Servicio**
- a) **Sólo especialistas cualificados deben reparar la herramienta eléctrica, empleando para ello únicamente piezas de repuesto originales.** *Esta forma de proceder garantiza la seguridad de la herramienta eléctrica.*
 - b) **No reparar nunca BATERÍAS dañadas.** *La reparación de las BATERÍAS dañadas solo la puede llevar a cabo el fabricante o un distribuidor autorizado.*
- Instrucciones de seguridad especiales**
- Con el fin de ofrecerle baterías con la máxima densidad de energía, larga duración y seguridad, prestamos el mayor cuidado en su montaje. Las celdas de la batería disponen de dispositivos de seguridad de varios niveles. En primer lugar se asigna el formato a cada celda y se registran sus características eléctricas. A continuación, estos datos se utilizan para agrupar las celdas y crear la mejores baterías. **A pesar de todas las medidas de seguridad, siempre es necesario tener precaución al utilizar baterías. Para un funcionamiento seguro es obligatorio tener en cuenta los siguientes puntos.**
- ¡El funcionamiento seguro sólo está garantizado si las celdas no están dañadas! Un manejo inadecuado puede dañar las celdas.**

¡Atención! Los análisis confirman que un uso y un cuidado inadecuados son la principal causa de los daños provocados por baterías de alta potencia.

Advertencias sobre la batería

1. La batería del aparato no se suministra cargada. Antes de la primera puesta en marcha, es preciso recargarla por completo.
2. ¡Para que la batería trabaje de forma óptima evitar ciclos de descarga prolongados! Recargar la batería con frecuencia.
3. Guardar la batería en un lugar fresco, lo ideal son 59°F (15°C), y como mínimo cargada al 40%.
4. Las baterías de iones de litio están sujetas a un desgaste natural. ¡La batería debe ser sustituida como muy tarde cuando su rendimiento sea menor al 80% respecto a su estado cuando era nueva! Las celdas deterioradas de un conjunto de baterías envejecido no cumplen con los altos requisitos de rendimiento, representando un riesgo para la seguridad.
5. No tirar las baterías usadas al fuego. ¡Peligro de explosión!
6. No prender la batería ni exponerla al fuego.
7. **¡Evitar una descarga total de las baterías!** Este tipo de descarga daña las celdas de la batería. La causa más frecuente de la descarga total de la batería es el largo almacenamiento o la no utilización de baterías parcialmente descargadas. Terminar el trabajo en cuanto se aprecie que la potencia disminuye o se activa el sistema electrónico de protección. Almacenar la batería sólo tras haberla cargado completamente.
8. **¡Proteger las baterías y el aparato contra sobrecarga!** La sobrecarga conduce rápidamente a un sobrecalentamiento y daño de las celdas del interior de la carcasa de batería, sin que el sobrecalentamiento se perciba externamente.
9. **¡Evitar daños y golpes!** Sustituir inmediatamente las baterías que hayan caído desde una altura superior a un metro o que hayan sufrido golpes fuertes, incluso aunque la carcasa de la batería no parezca dañada. Las celdas que se encuentren en su interior podrían estar gravemente dañadas. Tener en cuenta también las indicaciones de eliminación.
10. En caso de sobrecarga y sobrecalentamiento, el circuito de protección integrado desconecta el aparato por motivos de seguridad.

¡Atención! Dejar de pulsar el interruptor On/Off cuando el circuito de protección haya desconectado el aparato. Podría dañar la batería.

11. Utilizar exclusivamente baterías originales. El uso de otras baterías puede provocar daños, así como explosión y peligro de incendio.
12. **Proteger la batería de la humedad, la lluvia y la humedad ambiental elevada.** La humedad, la lluvia y la humedad ambiental elevada pueden provocar daños peligrosos en las celdas. No cargar ni trabajar nunca con baterías que hayan estado expuestas a la humedad, la lluvia o humedad ambiental elevada, ¡reemplazarlas de inmediato!
13. Si el aparato está dotado de una batería extraíble, por motivos de seguridad será preciso extraerla una vez finalizado el trabajo.

Advertencias sobre el cargador y el proceso de carga

1. Observar los datos indicados en la placa de identificación del cargador. Conectar el cargador sólo a la tensión nominal indicada en la placa de características.
2. Proteger el cargador y el cable de daños y cantos afilados. Los cables dañados deben ser cambiados exclusivamente por un electricista profesional.
3. Mantener el cargador, las baterías y el aparato fuera del alcance de niños.
4. No emplear cargadores dañados.
5. No emplear el cargador suministrado para cargar otros aparatos a batería.
6. La batería se calienta bajo condiciones extremas de aplicación. Dejar que la batería se enfríe hasta alcanzar la temperatura ambiental antes de empezar a cargar.
7. **¡No cargar demasiado las baterías!** Respetar los tiempos de carga máximos. Estos tiempos de carga se aplican únicamente a baterías descargadas. Si una batería cargada o parcialmente cargada se conecta varias veces al cargador se produce una sobrecarga y un daño de las celdas. No deje las baterías en el cargador por más de 48 horas.
8. **No utilizar ni cargar nunca baterías si se tiene la sospecha de que la última carga de la batería puede haberse realizado hace más de 12 meses.** Existe una alta probabilidad de que la batería ya esté gravemente dañada (descarga total).
9. Cargar la batería a una temperatura de menos de 50°F (10°C) provoca daños químicos en las celdas y puede conllevar peligro de

incendio.

10. No utilizar baterías que se hayan calentado durante la carga, ya que sus celdas podrían dañarse peligrosamente.
11. Dejar de usar baterías que se hayan deformado o abombado durante la carga, o aquellas que presenten síntomas inusuales (desprendimiento de gases, zumbidos, chasquidos,...)
12. No descargar la batería por completo (nivel de descarga recomendado: máx. 80%). La descarga total provoca un envejecimiento prematuro de las celdas de la batería.
13. ¡No cargar nunca las baterías sin supervisión!

Protección contra influencias ambientales

1. Ponerse ropa de trabajo adecuada. Ponerse gafas de protección.
2. **Proteger el aparato y el cargador de la humedad y la lluvia.** Éstas podrían provocar daños peligrosos en las celdas.
3. No utilizar el aparato y el cargador cerca de vapores y líquidos inflamables.
4. Utilizar el cargador y el aparato a batería sólo si están secos y a una temperatura ambiente de 50°F-104°F (10-40 °C).
5. No guardar la batería en lugares que puedan alcanzar una temperatura superior a 104°F (40 °C), especialmente no en un vehículo aparcado al sol.
6. **¡Proteger las baterías contra un sobrecalentamiento!** La sobrecarga, carga excesiva o la radiación solar conducen a un sobrecalentamiento y al daño de las celdas. No cargar ni trabajar en ningún caso con baterías que se hayan sobrecalentado. Sustituirlas inmediatamente.
7. **Almacenamiento de baterías, cargadores y del aparato.** Guardar siempre el cargador y el aparato en habitaciones secas con una temperatura ambiente de 50°F-104°F (10-40°C). Guardar la batería de iones de litio en un lugar fresco y seco a 50°F-68°F (10-20°C). ¡Proteger de la humedad ambiental y de la radiación solar! Guardar las baterías únicamente cuando estén cargadas (mín. al 40%).
8. Evitar que la batería de iones de litio se hiele. Deshacerse de las baterías que hayan estado guardadas a 32°F (0°C) durante más de 60 minutos.
9. Llevar cuidado con la carga electrostática al manipular baterías: las descargas electrostáticas provocan daños en el sistema electrónico de protección y las celdas de la batería. ¡Evitar por ello la carga electrostática y no tocar nunca los polos de la batería!

Precaución y eliminación de la batería

Eliminación

Si su artefacto necesita ser reemplazado luego de un uso prolongado, no lo arroje a la basura doméstica. Hágalo de una forma ecológica y segura.



Los desechos producidos por máquinas eléctricas no deben ser manipulados como basura doméstica común. Recíclelos donde hayan emplazamientos de reciclaje. Consulte con las autoridades o tienda minorista de su localidad para obtener información sobre reciclaje.

Deshágase de su batería de acuerdo con los reglamentos federales, estatales y locales. Para encontrar lugares de reciclaje, comuníquese con un servicio de reciclaje en su localidad.

⚠ ¡PRECAUCIÓN! Incluso las baterías descargadas contienen algo de energía. Antes de deshacerse de éstas, use cinta aislante para cubrir los terminales y evitar que la batería haga cortocircuito, lo cual puede causar una explosión o incendio.

⚠ ¡ADVERTENCIA! Para reducir el riesgo de lesiones personales o explosión, nunca queme o incinere una batería incluso si está dañada, inservible o completamente descargada. Al ser quemada, los humos y materiales tóxicos son emitidos a la atmósfera circundante.

1. Las baterías varían de acuerdo al dispositivo. Consulte su manual para obtener la información específica.
2. Instale solo nuevas baterías del mismo tipo en su producto (donde corresponda).
3. No insertar las baterías con la polaridad correcta, tal como se indica en el compartimiento de la batería o en el manual, puede reducir el ciclo de vida útil de las baterías o causar fugas en las baterías.
4. No combine baterías nuevas con antiguas.
5. No combine baterías alcalinas, estándar (de zinc-carbono) o recargables (de níquel-cadmio, de níquel-hidruro metálico o de iones de litio).
6. No arroje las baterías al fuego. Pueden llegar a explotar.
7. Las baterías deben ser recicladas o desechadas según los reglamentos locales y estatales.

Para el envío o la eliminación de baterías o del aparato, estos deben embalsarse por separado en bolsas de plástico para evitar cortocircuitos o incendios.

Instrucciones especiales de seguridad

¡Atención! Este cortador de baldosas ha sido concebido para cortar en húmedo, por lo que sólo se puede utilizar una muela de tronzar diamantada con borde continuo.

- **Manos húmedas:**
No tocar los componentes eléctricos de la máquina (p. ej., interruptor) con las manos húmedas.
- **Enchufes:**
Los enchufes deben encontrarse en un lugar seco y no tocar el suelo.
- **Enfriamiento de la muela de tronzar:**
Es preciso asegurarse que la muela de tronzar esté refrigerada con agua durante todo el proceso de corte.
- **Cortar en seco:**
No realizar nunca cortes en seco con las muelas de tronzar que han sido concebidas para cortar en húmedo.
- **Protección contra el polvo:**
Llevar siempre una mascarilla de protección antipolvo mientras se corten las baldosas.
- **Muelas de tronzar diamantadas:**
No intentar introducir la baldosa más rápido de lo que funciona la máquina, peligro de cortarse con la muela de tronzar.
- **Muelas de tronzar que se pueden utilizar:**
Utilizar únicamente muelas de tronzar con número de revoluciones de 3000 r.p.m o superior.
- **Elección de la muela de tronzar:**
Elija la muela de tronzar diamantada indicada para el material a cortar.
- **Montar la muela de tronzar:**
Antes de montar la muela de tronzar, es preciso comprobar que el husillo, la tuerca del husillo y la brida no presenten daños, no estén desgastadas y se encuentren bien sujetas. Cambiar de inmediato las piezas que estén dañadas o desgastadas.
- **Dirección de giro de la muela de tronzar**
Comprobar la flecha en la muela de tronzar, la dirección de la misma debe coincidir con la dirección de giro del árbol del motor.
- **Husillo de la muela de tronzar:**
Asegurarse de que el diámetro del orificio en la muela coincida con el diámetro del husillo para la muela en la máquina.
- **Dispositivo de protección para la muela de tronzar:**
Poner en funcionamiento el cortador de baldosas sólo cuando se haya instalado y ajustado correctamente el dispositivo de protección para la muela de tronzar.
- **Velocidad de la muela de tronzar:**
No sobrepasar la velocidad segura de funcionamiento de la muela de tronzar.
- **Lijar con la muela de tronzar:**
No intentar utilizar la muela de tronzar para realizar trabajos de lijado, p. ej., para trabajar los cantos de una baldosa cortada. Asimismo, no realizar cortes de radio ni redondear.
- **Ámbito de aplicación:**
Este cortador de cerámica ha sido concebido exclusivamente para su uso doméstico.
- **Tiempo de paro de la muela de tronzar:**
La muela de tronzar necesita algunos segundos para pararse una vez desconectada la máquina. Es preciso esperar hasta que la muela se haya parado, seguidamente, retirar la batería y solo entonces, en caso de ser necesario, se podrá tocar la muela de tronzar de la máquina.
- **Muela de tronzar giratoria:**
Evitar cualquier tipo de contacto con la muela de tronzar el movimiento mientras la máquina se encuentre funcionando.
- **Piezas eléctricas:**
Mantener el agua lejos de las piezas eléctricas de la herramienta, así como de las personas que se encuentren en la zona de trabajo!
- **Modificaciones técnicas:**
Únicamente el fabricante está autorizado a realizar modificaciones técnicas que supongan un cambio de las propiedades (p.ej. núm. de revoluciones) para satisfacer los requisitos de las disposiciones de seguridad.
- **Normas de seguridad:**
Antes de cada uso, asegurarse de que la máquina sigue cumpliendo las disposiciones de seguridad. Por motivos de seguridad, es preciso cambiar siempre las herramientas que estén dañadas (fisuras).
- **Empleo de otras herramientas:**
No está permitido utilizar otro tipo de muelas de tronzar o herramientas (como p. ej. hojas de sierra circular) que no estén indicados en el manual adjunto.
- **Nivel de agua:**
Asegurarse de que el recipiente de agua esté lleno.

- **Área de trabajo:**
Asegurarse de que, a excepción del operario, no se encuentre ninguna persona en la zona de trabajo.

Este aparato no ha sido concebido para ser utilizado por personas (incluyendo niños) cuyas capacidades estén limitadas física, sensorial o psíquicamente, o que no dispongan de la experiencia y/o los conocimientos necesarios. Vigilar a los niños para asegurarse de que no jueguen con el aparato.

GUARDE ESTAS INSTRUCCIONES

2. Descripción del aparato y volumen de entrega

2.1 Descripción del aparato

1. Tope de ingletes
2. Tope en paralelo
3. Protección para la muela
4. Mesa de corte
5. Recipiente de agua
6. Tapa del recipiente de agua
7. Cubierta de protección de las muelas de tronzar
8. Tornillo de fijación para la protección para la muela
9. Pomo de fijación para la protección para la muela
10. Abrazadera de fijación
11. Tornillo para la purga de agua
12. Interruptor ON/OFF
13. Tornillo de fijación para la cuña abridora
14. Muela de tronzar de diamante
15. Brida exterior
16. Escala graduada
17. Carcasa
18. Cuña abridora
19. Llave de anillo
20. Contrasoporte
21. Bloqueo de la batería
22. Cubierta de protección de la batería
23. Alojamiento para la batería
24. Batería (no se suministra)
25. Dispositivo de retención
26. Indicador de capacidad de batería
27. Pulsador para indicar la capacidad de batería
28. Tuerca

2.2 Volumen de entrega

Sirviéndose de la descripción del volumen de entrega, comprobar que el artículo esté completo. Si faltase alguna pieza, dirigirse a nuestro Service Center o a la tienda especializada más cercana en un plazo máximo de 5 días laborales tras la compra del artículo presentando un recibo de compra válido.

- Abrir el embalaje y extraer cuidadosamente el aparato.
- Retirar el material de embalaje, así como los dispositivos de seguridad del embalaje y para el transporte (si existen).
- Comprobar que el volumen de entrega esté completo.
- Comprobar que el aparato y los accesorios no presenten daños ocasionados durante el transporte.
- Si es posible, almacenar el embalaje hasta que transcurra el periodo de garantía.

Peligro!

¡El aparato y el material de embalaje no son un juguete! ¡No permitir que los niños jueguen con bolsas de plástico, láminas y piezas pequeñas! ¡Riesgo de ingestión y asfixia!

- Dispositivo de protección para la muela de tronzar con cuña abridora
- Muela de tronzar de diamante
- Tope en paralelo
- Tope de ingletes
- 2x Llaves de anillo / contrasoportes
- Manual de instrucción original con instrucción de seguridad

Accesorios disponibles por separado

18V 1.5Ah PXC batería Li-Ion
 18V 2.0Ah PXC batería Li-Ion
 18V 2.5Ah PXC batería Li-Ion
 18V 3.0Ah PXC batería Li-Ion
 18V 4.0Ah PXC batería Li-Ion
 18V 3.0Ah PXC Plus batería Li-Ion
 18V 4.0Ah PXC Plus batería Li-Ion
 18V 5.2Ah PXC Plus batería Li-Ion
 18V 4.0Ah/6.0Ah PXC Plus batería Li-Ion
 18V 5.0Ah/8.0Ah PXC Plus batería Li-Ion
 18V PXC cargador rápido de doble Puerto
 18V PXC cargador rápido

Comuníquese con su distribuidor local para obtener modelos más específicos de baterías y cargadores disponibles en su área. Explorar las opciones de batería y cargador en einhell.com.

3. Uso adecuado


Dependiendo del tamaño del cortador de baldosas, se podrá emplear para trabajos de corte convencionales en enlosados de tamaño pequeño y mediano (azulejos, cerámica o similares). No se permite cortar madera o metal. **La máquina sólo debe emplearse en aquellos casos para los que se ha destinado su uso.** Se prohíbe cualquier otro uso. En caso de uso inadecuado, el fabricante no se hace responsable de daños o lesiones de cualquier tipo; el responsable es el usuario u operario de la máquina. Sólo está permitido utilizar muelas de tronzar adecuadas para este tipo de máquina. Está prohibido usar hojas de sierra. Otra de las condiciones para un uso adecuado es la observancia de las instrucciones de seguridad, así como de las instrucciones de montaje y de servicio contenidas en el manual de instrucciones. Las personas encargadas de operar y mantener la máquina deben estar familiarizadas con la misma y haber recibido información sobre todos los posibles peligros. Asimismo, respetar en todo momento las disposiciones en materia de prevención de accidentes vigentes. Es preciso observar también cualquier otro reglamento general en el ámbito de la medicina laboral y técnicas de seguridad. El fabricante no se hace responsable de los cambios que el operario haya realizado en la máquina ni de los daños que se puedan derivar por este motivo. Existen determinados factores de riesgo que no se pueden descartar por completo, incluso haciendo un uso adecuado de la máquina. El tipo de diseño y atributos de la máquina pueden conllevar los riesgos siguientes:

- Contacto con la muela de tronzar de diamante en la zona en que se halla al descubierto.
- Contacto con la muela de tronzar de diamante en marcha.
- Proyección de una pieza de diamante defectuosa de la muela de tronzar.
- Rebote de las piezas con las que se está trabajando o de algunas de sus partes.
- Lesiones del aparato auditivo por no utilizar la protección necesaria.

Utilizar la máquina sólo en los casos que se indican explícitamente como de uso adecuado. Cualquier otro uso no será adecuado. En caso de uso inadecuado, el fabricante no se hace responsable de daños o lesiones de cualquier tipo; el responsable es el usuario u operario de la máquina.

Tener en consideración que nuestro aparato no está indicado para un uso comercial, industrial o en taller. No asumiremos ningún tipo de garantía cuando se utilice el aparato en zonas industriales, comerciales o talleres, así como actividades similares.

4. Características técnicas

Alimentación de tensión de motor:	18V 
Velocidad en vacío RPM:	3800
Altura de corte 90°	1 5/16" (24 mm)
Altura de corte 45°	5/8" (16 mm)
Mesa de corte dimensiones	12" x 13 3/16" (305 x 335 mm)
Tamaño del disco de corte:	4 1/2" (115 mm)
Tamaño del eje:	7/8" (22.2 mm)
Peso (solo herramienta):	7.5 lb (3.4 kg)

Usar protección para los oídos.

La exposición al ruido puede ser perjudicial para el oído.

¡Reducir la emisión de ruido y las vibraciones al mínimo!

- Emplear sólo aparatos en perfecto estado.
- Realizar el mantenimiento del aparato y limpiarlo con regularidad.
- Adaptar el modo de trabajo al aparato.
- No sobrecargar el aparato.
- En caso necesario dejar que se compruebe el aparato.
- Apagar el aparato cuando no se esté utilizando.
- Llevar guantes.

Cuidado!

Riesgos residuales

Incluso si esta herramienta se utiliza adecuadamente, siempre existen riesgos residuales. En función de la estructura y del diseño de esta herramienta eléctrica pueden producirse los siguientes riesgos:

1. Lesiones pulmonares en caso de que no se utilice una mascarilla de protección antipolvo.
2. Lesiones auditivas en caso de que no se utilice una protección para los oídos adecuada.
3. Daños a la salud derivados de las vibraciones de las manos y los brazos si el aparato se utiliza durante un largo periodo de tiempo, no se sujeta del modo correcto o si no se realiza un mantenimiento adecuado.

5. Advertencias importantes

Es preciso observar atentamente estas instrucciones de uso y sus advertencias. Utilizar este manual para familiarizarse con el aparato, su uso correcto y las advertencias de seguridad pertinentes.

Peligro!

Por motivos de seguridad, a los niños y jóvenes menores de 16 años, así como a las personas no familiarizadas con estas instrucciones de uso, no les está permitido utilizar el cortador de baldosas.

- Cortador de baldosas portátil para enlosado de tamaño medio.
- Cortar con muela de tronzar de diamante.
- Cortes de Jolly con superficie inclinable hasta 45 grados.
- Enfriamiento de las muelas mediante agua.
- Guía de corte y tope angular.
- Bandeja a modo de recipiente de agua de refrigeración (para el llenado hay que quitar la tapa del recipiente de agua)
- Si la muela de tronzar se bloquea, en primer lugar desconectar el aparato y desenchufarlo de la red eléctrica, y después retirar la pieza a trabajar.

6. Antes de la puesta en marcha

¡Aviso!

Quitar siempre la batería antes de realizar ajustes en el aparato.

- Poner la máquina en una posición estable, es decir, fijarla con tornillos a un banco de trabajo o a un bastidor fijo.
- Antes de la puesta en marcha, instalar debidamente todas las cubiertas y dispositivos de seguridad.
- La muela de diamante debe poder girar sin impedimentos.
- Antes de presionar el interruptor ON/OFF, asegurarse de que la muela esté bien montada y de que las piezas móviles se muevan con suavidad.
- Antes de utilizar la máquina, comprobar que todas las piezas se encuentren en buen estado, de lo contrario, sustituir las. Al cambiar piezas o accesorios observar las instrucciones del presente manual.
- Mantener la máquina siempre limpia para conseguir el mejor rendimiento y la máxima seguridad.

- Durante el trabajo, comprobar las piezas de desgaste y fijar bien las piezas que puedan estar sueltas, así como asegurarse de montar correctamente los accesorios.
- **Advertencia! La cortadora de cerámica ha sido concebida para su funcionamiento en agua.**
- Antes de realizar cualquier corte asegurarse que el nivel de agua cubra en todo momento la zona diamantada de la muela. Introducir el agua de refrigeración directamente en la bandeja.

7. Montaje

¡Peligro! Extraer la batería antes de proceder a la realización de cualquier tarea de mantenimiento, reequipamiento y de montaje en el cortador de baldosas.

Montar el aparato según se indica en las figuras 3 a 12.

7.1 Montaje de la muela de tronzar de diamante (fig. 3, 4, 5)

Para montar la muela, proceder como sigue:

- Retirar la tapa del recipiente de agua (6) (fig. 3).
- Extraer la cubierta de protección de las muelas de tronzar (7) hacia arriba (fig. 4).
- Desenroscar la tuerca (28) del árbol del motor y retirar la brida exterior (15) (fig. 4).
- Colocar la muela (14) en la brida interior y luego la brida exterior en la muela. ¡Advertencia! ¡Asegurarse de que la muela de tronzar gire en la dirección correcta!
- Volver a enroscar a mano la tuerca (28) en la rosca.
- Colocar la llave de anillo (19) en la tuerca (28) y bloquear el árbol del motor con el contrasoprote (20) (fig. 5).
- Apretar la tuerca (28) con la llave de anillo.
- Volver a colocar la cubierta de protección de las muelas de tronzar y fijar la tapa del recipiente de agua.

7.2 Montaje de la cuña abridora (fig. 6)

- Soltar el tornillo de fijación premontado (13) de la mesa de corte (4).
- Fijar la cuña abridora (18) a la mesa de corte con el tornillo de fijación.
- La cuña abridora debe estar centrada en una línea imaginaria extendida detrás de la muela de tronzar (14), de modo que no sea posible

que el material se atasque.

7.3 Montaje de la protección para la muela (fig. 7)

- Colocar la protección para la muela (3) en la cuña abridora (18) montada en el aparato.
- Introducir el tornillo de fijación (8) a través de la protección para la muela y la cuña abridora.
- Girar el pomo de fijación (9) en el tornillo de fijación.

7.4 Cambio de la muela de tronzar de diamante desgastada (fig. 3, 4, 5, 9, 12)

Para cambiar la muela desgastada, proceder como sigue:

- Extraer la batería manteniendo presionado el bloqueo de la batería (21) y tirando de la batería (24) para sacarla del alojamiento (23) (fig. 9).
- Retirar la tapa del recipiente de agua (6) (fig. 3).
- Si es necesario, retirar el tornillo para la purga de agua (11) para vaciar el agua del recipiente del agua (fig. 12).
- Extraer la cubierta de protección de las muelas de tronzar (7) hacia arriba (fig. 4).
- Colocar la llave de anillo (19) en la tuerca (a) y bloquear el árbol del motor con el contrasoprote (20) (fig. 5).
- Soltar la tuerca con la llave de anillo y retirar la brida exterior (15).
- Retirar la muela de tronzar desgastada (14) y limpiar bien las bridas.
- Colocar la nueva muela de tronzar en la brida interior y volver a colocar la brida exterior en la muela de tronzar. ¡Advertencia! ¡Asegurarse de que la muela de tronzar gire en la dirección correcta!
- Bloquear de nuevo el árbol del motor con el contrasoprote y apretar la tuerca con la llave de anillo (fig. 5).
- Volver a colocar la cubierta de protección de las muelas de tronzar y fijar la tapa del recipiente de agua.

8. Manejo

8.1 Cómo llenar el recipiente de agua/vaciar el agua (Fig. 3, 11, 12)

- Retirar la tapa del recipiente de agua (6) (fig. 3)
- Llenar el depósito de agua (5) hasta la marca „MAX“ (fig. 11).
- Retirar el tornillo para la purga de agua (11) para vaciar el agua del recipiente del agua (fig. 12).

¡Advertencia! Controlar continuamente el nivel de agua

8.2 Cómo colocar/retirar la batería (fig. 9)

- Abrir la tapa de protección de la batería (22) y deslizar la batería (24) en el alojamiento (23).
- Mantener pulsado el bloqueo de la batería (21) para sacar la batería del alojamiento.

8.3 Interruptor ON/OFF (fig. 1)

- El cortador de baldosas puede encenderse inclinando el interruptor (12) hacia arriba.
- Para apagarlo de nuevo, inclinar el interruptor hacia abajo.

8.4 Corte plano (fig. 13)

- Ajustar el ancho de corte con el tope en paralelo (2) y fijarlo mediante las abrazaderas de fijación (10).
- El ancho de la pieza puede leerse en la escala (16).
- La figura 13 muestra la posición correcta de las manos mientras se realiza el corte plano. El avance debe coincidir con la capacidad de corte de la muela de tronzar. De este modo se garantiza que no salga material disparado, evitando así posibles accidentes o daños.

8.5 Ajuste del ángulo para el corte de ingletes (fig. 14, 15)

- Fijar la tapa de la bandeja de agua (6) para el corte de ingletes de 45° (Jolly) en la posición superior (fig. 14).
- Fijar la tapa de la bandeja de agua para el corte de ingletes de 22,5° en la posición inferior (fig. 15).

9.6 Corte de ingletes (22,5°; 45°) (fig. 14, 15, 16)

- Fijar la tapa del recipiente de agua (6) en la posición angular deseada (véase el apartado 9.5 Ajuste del ángulo para el corte de inglete-

tes) (fig. 14, 15).

- Fijar el tope en paralelo mediante las abrazaderas de fijación (10), como se muestra en la figura 16.
- Colocar el azulejo con el lado del esmalte sobre la tapa del recipiente de agua (fig. 16).
- La figura 16 muestra la posición correcta de las manos mientras se realiza el corte de ingletes. La mano izquierda mantiene la pieza en contacto con la muela de tronzar, mientras que la derecha la empuja. El avance debe coincidir con la capacidad de corte de la muela de tronzar. De este modo se garantiza que no salga material disparado, evitando así posibles accidentes o daños.
- Realizar un corte de prueba con un resto de la baldosa para poder juzgar el resultado del corte.

¡Advertencia! Si la muela de tronzar se bloquea, en primer lugar desconectar el aparato y retirar la batería y después retirar la pieza a trabajar.

8.7 Cómo cargar la batería de litio (no incluido en el volumen de entrega)

Las instrucciones correspondientes se encuentran en el manual de instrucciones original del cargador.

8.8 Indicador de capacidad de batería (fig. 10/pos. 26)

Pulsar el interruptor para acceder al indicador de capacidad de la batería (27). El indicador de capacidad de batería (2+) le indica el estado de carga de la batería sirviéndose de 3 LEDs.

Los 3 LED están iluminados:

La batería está completamente cargada.

2 o 1 LED están iluminados

La batería dispone de suficiente carga residual.

1 LED parpadea:

La batería está vacía, es preciso cargarla.

Si todos los LED parpadean:

La temperatura de la batería es demasiado baja. Quitar la batería del aparato y dejarla durante un día a temperatura ambiente. Si vuelve a aparecer el fallo, la batería se ha descargado completamente y está defectuosa. Quitar la batería del aparato. Está prohibido emplear o cargar una batería defectuosa.

9. Mantenimiento y limpieza

Peligro!

Desenchufar la batería antes de realizar trabajos de limpieza.

9.1 Limpieza

- Reducir al máximo posible la suciedad y el polvo en los dispositivos de seguridad, las rendijas de ventilación y la carcasa del motor. Frotar el aparato con un paño limpio o soplarlo con aire comprimido manteniendo la presión baja.
- Se recomienda limpiar el aparato tras cada uso.
- Limpiar el aparato con regularidad con un paño húmedo y un poco de jabón blando. No utilizar productos de limpieza o disolventes ya que se podrían deteriorar las piezas de plástico del aparato. Es preciso tener en cuenta que no entre agua en el interior del aparato. Si entra agua en el aparato eléctrico existirá mayor riesgo de una descarga eléctrica.

9.2 Mantenimiento

No hay que realizar el mantenimiento a más piezas en el interior del aparato.

10. Eliminación y reciclaje

El aparato está protegido por un embalaje para evitar daños producidos por el transporte. Este embalaje es materia prima y, por eso, se puede volver a utilizar o llevar a un punto de reciclaje. El aparato y sus accesorios están compuestos de diversos materiales, como, p. ej., metal y plástico. Los aparatos defectuosos no deben tirarse a la basura doméstica. Para su eliminación adecuada, el aparato debe entregarse a una entidad recolectora prevista para ello. En caso de no conocer ninguna, será preciso informarse en el organismo responsable del municipio.

11. Almacenamiento

Guardar el aparato y sus accesorios en un lugar oscuro, seco, protegido de las heladas e inaccesible para los niños. La temperatura de almacenamiento óptima se encuentra entre los 41°F y 86°F (5 y 30 °C). Guardar la herramienta eléctrica en su embalaje original.

SP

Sólo está permitido copiar la documentación y documentos anexos del producto, o extractos de los mismos, con autorización expresa de Einhell Germany AG.

Nos reservamos el derecho a realizar modificaciones técnicas.



A series of 20 horizontal lines, evenly spaced, providing a template for writing. The lines are parallel and extend across most of the page width.



A series of horizontal lines for writing, starting from the top right of the page and extending downwards. The first line is partially obscured by the pencil illustration.



A series of horizontal lines for writing, starting from the second line below the pencil and continuing down to the bottom of the page.



www.Einhell.com

EH 06/2023 (01)