



# CinHELL

**BLUE**

## BT-ML 300 Metal Lathe

Art.-No. 45.050.04

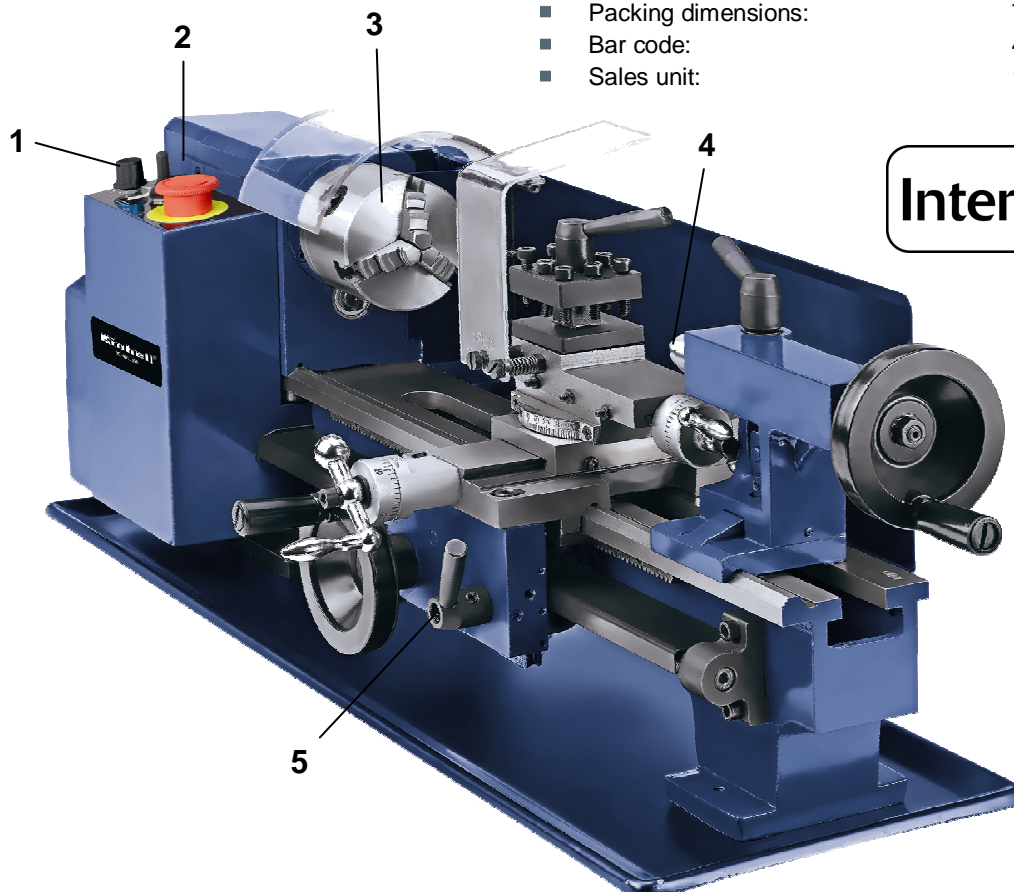
The metal lathe is particularly suitable for longitudinal turning and facing of round or regularly 3-, 6- or 12-shape-edged work pieces made of metal, plastics or similar materials with a diameter max. 75 mm and a length of max. 300 mm. The hollow lathe spindle also allows straining of longer work pieces with a max. diameter of 15 mm. Due to the leading spindle with adjustable infeed the application for thread-turnings is also possible.

### Features

- Continuous speed control (1)
- Switch for left/right turning
- Emergency off switch (2)
- Three jaw chuck including internally and externally stepped clamp jaws (3)
- Centre support (4)
- Wheel set for different lathe feed
- Automatic feed (5)

### Technical data

- Mains: 230 V ~ 50 Hz
- Input power: 370 W
- Centre height: 90 mm
- Max. work piece diameter: 180 mm
- Max. work piece length/centre width: 300 mm
- Max. workable outside diameter: 75 mm
- Max. spindle admission: Ø 20 mm
- Jaw chuck bore hole: 15 mm
- Work spindle: MK 3
- Tailstock centre sleeve: MK 2
- Concentricity: 0.01 mm
- Speed step 1: 0-1.100 min<sup>-1</sup>
- Speed step 2: 0-2.500 min<sup>-1</sup>
- Net weight: 37.0 kg
- Gross weight: 40.0 kg
- Packing dimensions: 770 x 330 x 330 mm
- Bar code: 4006825 541533
- Sales unit: 1 pc





# Einhell

**As special accessories available:**

**Chisel-Set 11 pcs.**

Ideal for turning and facing off, in- and outside turning, cutting threads for roughing and smoothing.

Art.-No.: 45.050.20

Bar code: 4006825 556681



**Bezel**

Ideal for taking up long parts

Art.-No.: 45.050.21

Bar code: 4006825 556735

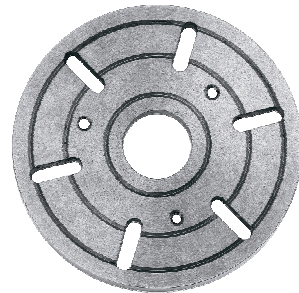


**Face plate**

Ideal for unequal parts

Art.-No.: 45.050.22

Bar code: 4006825 556711



**Four-jaw-chuck**

It's meant for taking up square parts

Art.-No.: 45.050.23

Bar code: 4006825 556728



**In-line-centre MK 2**

Allows turning between corners

Art.-No.: 45.050.24

Bar code: 4006825 556698

