



# Einhell

**BLUE**

## BT-UP 470 Universal Panel Saw

Art.-No. 43.074.00

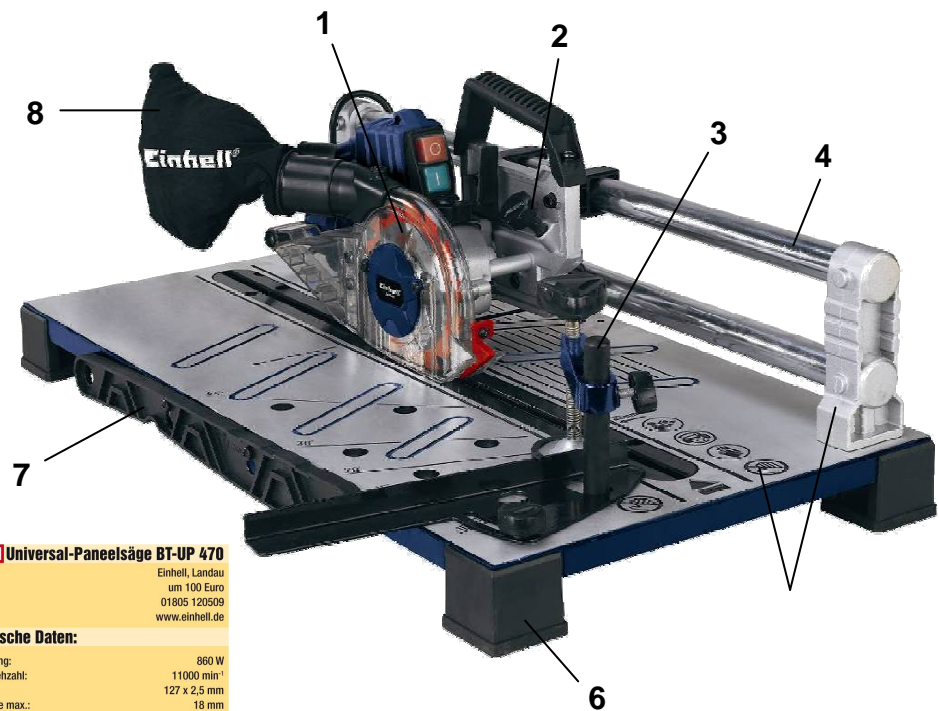
The universal panel saw BT-UP 470 achieves painstaking precision cuts. This is possible by the straight, almost free from backlash guidance of the saw and the very high speed of the saw blade. By its construction the unit is very lightweight and thus ideally suitable for assembly working, particularly for all panel working like floor covering, wall covering, fitting straps etc. and cutting types like cutting to length, angle cutting, trimming and measurement cuts to width (interlock of the drag device).

### Features

- Carbide tipped saw blade (1)
- Interlock for length cuts (2)
- Parallel guide
- Clamping device with rubber pad (3)
- Precision guidance (4)
- Sturdy construction in aluminium pressure casting (5)
- Non-slip rubber caps (6)
- Push stick (7)
- Dust bag (8)
- Angle cuts ranging for 45°, 30°, 20°, 15°  
- 10° to 10° every degree

### Technical Data

- Mains: 230 V ~ 50 Hz
- Power: 860 W
- Idle speed: 11,000 min<sup>-1</sup>
- TCT saw blade / teeth: Ø 127 x Ø 17 mm x 2.5 mm / 14 teeth
- Cutting width max.: 470 mm
- Max. cutting width 45°: 190 mm
- Cutting height max.: 18 mm
- Net weight: 7.6 kg
- Gross weight: 8.7 kg
- Packing dimensions: 690 x 375 x 205 mm
- Bar code: 4006825 566574
- Sales unit: 2 pcs



**Einhell Universal-Paneelsäge BT-UP 470**

Vertrieb: Einhell, Landau  
 Set-Preis: um 100 Euro  
 Hotline: 01805 120509  
 Internet: www.einhell.de

**Technische Daten:**

Nennleistung:	860 W
Leerlaufdrehzahl:	11000 min <sup>-1</sup>
Sägeblatt:	127 x 2.5 mm
Schnitthöhe max.:	18 mm
Absaugung:	36 mm
Gewicht:	7.6 kg

**Bewertung:** + -

+ einfache Anwendung  
 + geringes Gewicht  
 - schwergängige Führung

**Note:**

Funktion:	40%	1.5	●●●●●
Bedienung:	40%	2.0	●●●●○
Ausstattung:	20%	1.5	●●●●○

**Einstiegsklasse**

**Heimwerker Praxis** Ausgabe 2/2010 **1,7**

Preis/Leistung: gut - sehr gut

As special accessory available:

- TCT saw blade Art.-No.: 45.021.58  
Ø 127 x Ø 17 mm; 14 teeth Bar code: 4006825 566604