

Congratulations!

You have made an excellent choice with the purchase of this quality Gardenline® product.

By doing so you now have the assurance and peace of mind which comes from purchasing a product that has been manufactured to the highest standards of performance and safety, supported by the high quality standards of ALDI.

We want you to be completely satisfied with your purchase so this Gardenline® product is backed by a comprehensive manufacturer's 3 year warranty and an outstanding after sales service through our dedicated Helpline.

We hope you will enjoy using your purchase for many years to come.

If you require technical support or in the unlikely event that your purchase is faulty please telephone our Helpline for immediate assistance. Faulty product claims made within the 3 year warranty period will be repaired or replaced free of charge provided that you have satisfactory proof of purchase (keep your till receipt safe!). This does not affect your statutory rights. However, be aware that the warranty will become null and void if the product is found to have been deliberately damaged, misused or disassembled.



Declaration of conformity (see chapter 'Declaration of conformity').
Products marked with this symbol meet all applicable Community regulations for the European Economic Area.

The Declaration of Conformity for the Gardenline GLPC 41 Petrol Chainsaw is printed on page 71 of this User Manual.

General information

Reading and storing the original instruction manual



This instruction manual accompanies this petrol chainsaw. It contains important information on start-up and handling.

For improved readability, the 'Original instruction manual' will be referred to only as the 'Instruction manual'.

Before using the petrol chainsaw, read the instruction manual carefully. This particularly applies for the safety notes. Failure to heed this instruction manual may result in severe injury or damage to the petrol chainsaw.

The instruction manual is based on the standards and rules in force in the European Union. When abroad, you must also observe country-specific guidelines and laws.

Store the instruction manual for future use. If you pass the chainsaw on to third parties, please be absolutely sure to include this instruction manual.

Explanation of symbols

The following symbols and signal words are used in this instruction manual, on the 41cc Petrol Chainsaw or on the packaging.

! DANGER!

This signal symbol/word indicates a hazard with high risk that, if not avoided, results in death or a severe injury.

! WARNING!

This signal symbol/word designates a hazard with moderate degree of risk which may lead to death or severe injury if not avoided.

! CAUTION!

This signal symbol/word designates a hazard with low risk that, if not avoided, may result in minor or moderate injury.

NOTICE!

This signal symbol/word warns against potential damages to property.



This symbol provides you with useful supplementary information on assembly or operation.

Use and storage of the user guide

In terms of the 41cc Petrol Chainsaw, this instruction manual provides the information necessary to understand how to safely:

- Assemble/the chain and chain bar on the engine.
- Mixing the Petrol/Oil fuel & adding it to the fuel tank.
- Adding the chain oil.
- Engine Start and Stop procedures.
- The intended use, and how to use it to cut with.
- How to store it.
- Simple maintenance and fault finding.
- If necessary, contacting about repairs, spare parts and warranty claims.

WARNING!

Read all safety regulations and instructions. Any errors made in following the safety regulations and instructions may result in fire and/or serious injury. Keep all safety regulations and instructions in a safe place for future use.

Proper Use

The chain is designed exclusively for sawing wood. You may only fell trees if you have received the appropriate training. The operating instructions as supplied by the manufacturer must be obeyed to ensure that the equipment is used properly & the manufacturer cannot be held liable for damage or injury caused by improper or incorrect usage.

The equipment is to be used only for its prescribed purpose & any use which is not expressly permitted in these instructions may result in damage to the equipment and place the user in serious danger. Be sure to observe the restrictions in the safety information.

Please note that our equipment has not been designed for use in commercial, trade or industrial applications. Our warranty will be voided if the equipment is used in commercial, trade or industrial businesses or for equivalent purposes.

⚠ DANGER!

Cut only wood with this chainsaw. Due to the high risk of physical injury to the user, the equipment must not be used for purposes which it was not intended. For example do not use the chainsaw for cutting plastic, masonry, or non-wood building materials. For safety reasons, the equipment is not allowed to be used as a drive unit for other tools of any kind.

DO NOT operate a chainsaw whilst working in a tree. The equipment is allowed to be used only for its intended purpose. Any other use is deemed to be a case of misuse. The user/operator and not the manufacturer will be liable for any damage or injuries of any kind resulting from such misuse.

Reasonably foreseeable misuse

- Not reading the Instructions and Safety advice in this User Guide, before using the product.
- Damage/Injury caused by not switching the engine off.
- Not having the chain adjusted properly, leading to the chain coming off and causing damage or injury.
- Damage/Injury caused by the chain hitting loose materials or/foreign objects which are then catapulted away.

The reprinting or reproduction by any other means, in whole or in part, of documentation and papers accompanying products is permitted only with the express consent of Einhell UK Ltd.

Subject to technical changes.

Safety

Explanation of the symbols and types of instructions used

- 1 Read the user manual before using the machine.
- 2 On all jobs performed with the saw you must always wear safety goggles to guard your eyes from flying materials/objects and a sound-proof helmet, ear plugs or the like to protect your hearing. Wear a safety helmet if there is a risk of objects falling on you from above.
- 3 Wear gloves to protect your hands.
- 4 Wear safety shoes to protect your feet.
- 5 Warning! Danger!
- 6 Make sure that the chain brake is released. Pull back the handle/chain brake before operating.
- 7 Noise emission complies with Directive 2000/14/EC!

Fig. 2

Explanation of the pictograms for handling on the machine (Fig. 3)



A safety sign is fitted to the chainsaw's fan filter cover. This label, along with the safety instructions on these pages, should be carefully read before attempting to operate this unit.

⚠ DANGER!

1. **RED:** Warns about a dangerous method of working that must not be used.
2. **GREEN:** Recommended operation for safe sawing.

⚠ DANGER!

- 1 Beware of recoil.
- 2 Do not hold the saw in one hand.
- 3 Avoid contacting the workpiece with the tip of the rail (chain return point). **RECOMMENDED!**
- 4 Hold the saw firmly with both hands. Place your right hand on the rear handle and your left hand on the front handle.

Fig. 3



1



2



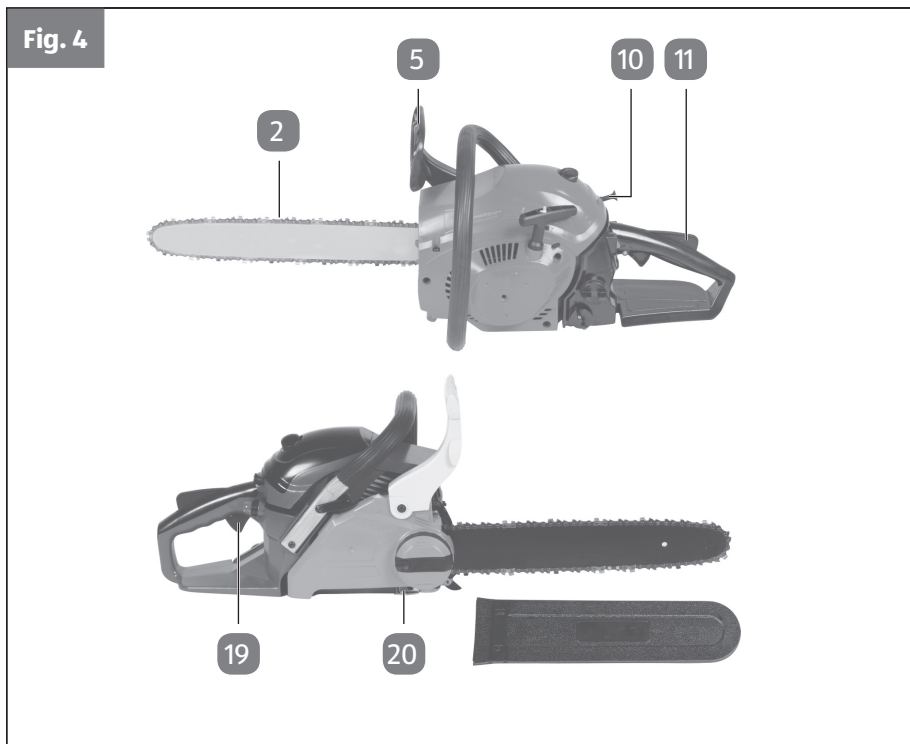
3



4

Safety devices (Fig. 4)

- 2 **LOW KICKBACK SAW CHAIN** helps significantly reduce kickback, or the intensity of kickback, due to specially designed depth gauges and guard links.
- 5 **CHAIN BRAKE LEVER/HAND GUARD** protects the operator's left hand in the event it slips off the front handle while saw is running.
- 5 **CHAIN BRAKE** is a safety feature designed to reduce the possibility of injury due to kickback by stopping a moving saw chain in milliseconds. It is activated by the **CHAIN BRAKE** lever.
- 10 **STOP SWITCH** immediately stops the engine when tripped. Stop switch must be pushed to ON position to start or restart the engine.
- 11 **SAFETY LOCK** prevents accidental acceleration of the engine. The **THROTTLE LEVER** (Fig. 4/pos.19) cannot be squeezed unless the **SAFETY LOCK** is depressed.
- 20 **CHAIN CATCHER** reduces the danger of injury in the event saw chain breaks or derails during operation. The chain catcher is designed to intercept a whipping chain.



⚠ WARNING!**Before using**

- **Wearing personal protective gear such as, safety gloves, non-slip safety shoes, long trousers, a protective helmet, snug fitting clothing, eye protection and ear protection reduces the risk of injury.** If you have long hair, wear a hair net. Never use a chainsaw whilst barefoot or in sandals.
- **Before you start the engine, make sure that the saw chain is not contacting anything and remove all objects that could be caught up and catapulted away.** Failure to do this may result in accident or injury if the moving chain catches something or they are catapulted away.

⚠ CAUTION!**Petrol is highly flammable! There is a risk of fire if the fuel is not handled and stored carefully! Therefore:**

- Only store petrol in containers designed to hold petroleum-based liquids.
- Only refuel out in the open and do not smoke during the refuelling process.
- Always refuel before starting the engine. Do not open the fuel tank cap and do not refuel while the engine is running or when the equipment is hot.
- If petrol has overflowed, do not under any circumstances attempt to start the engine. Instead, remove the equipment from the affected area. Avoid starting the engine until the petrol fumes have completely evaporated.

- For safety reasons, the petrol tank and the tank cap must be replaced if they are damaged.
- **Replace defective silencers. Defective silencers can cause engine running problems and hearing damage.**
- **Before using the petrol chainsaw, visually inspect it to ensure that the mounting bolts and the entire cutting apparatus are in good working order (i.e. not worn out or damaged). To prevent any imbalance, replace worn out or damaged mounting bolts as a set only. An unbalanced machine can cause damage to the machine or parts and cause additional vibrations possibly resulting in injury.**

 **WARNING!**

Read and follow the operating instructions and safety information before using for the first time. Failure to follow the safety notes and instructions may result in damage to the machine, fire and/or personal injury.

When using equipment, a few safety precautions must be observed to avoid injuries and damage. Please read the complete operating manual with due care. Keep this manual in a safe place, so that the information is available at all times. If you give the equipment to any other person, give them these operating instructions as well. We accept no liability for damage or accidents which arise due to non-observance of these instructions and the safety information.

- This equipment is not designed to be used by people (including children) with limited physical, sensory or mental capacities or those with no experience and/or knowledge unless they are supervised by a person who is responsible for their safety or they have received instructions from such a person in how to use the equipment safely.
- **Children must always be supervised in order to ensure that they do not play with the equipment.**
- Never allow other persons who are not familiar with the operating instructions to use the equipment. Contact your local governmental agency for information regarding minimum age requirements for the user.
- Never use a chainsaw in the direct vicinity of persons - especially children or animals.

⚠ WARNING!

Maintain a safety distance of 15 m. If approached, switch off the equipment immediately. Always keep in mind that the user of the equipment is responsible for accidents involving other persons or their property.

⚠ DANGER!

Danger of poisoning. Emissions, fuels and lubricants are toxic. Do not inhale emissions.

Safety instructions

1. Operation, storage and monitoring

- a) **Wear close-fitting work clothing which is in good condition and which offers protection, such as long trousers, sturdy work shoes, hard-wearing gloves, a helmet, a face mask or goggles to protect your eyes, and good quality ear defenders to reduce the noise.** Wearing personal protective gear such as, safety gloves, non-slip safety shoes, long trousers, a helmet, snug fitting clothing, eye protection or ear protection reduces the risk of injury. If you have long hair, wear a hair net.
- b) **Store the equipment in a safe place. Open the fuel tank cap slowly to release any pressure that may have formed in the fuel tank.** To prevent the risk of fire, move at least 3 metres from the refuelling area before you start the equipment. There is a risk of fire if the fuel is not handled and stored carefully.

- c) **Switch off the equipment before you put it down.**
If the machine has not stopped when placing it down there is risk of rotating parts touching the ground and quickly twisting the machine causing damage or personal injury.
- d) **Always hold the equipment firmly in both hands. Your fingers and thumbs should be wrapped around the handles.** Using the machine with only one hand, will cause bad stability (overbalancing) and could result in damage to the machine, or personal injury.
- e) **Ensure that all screws and connecting elements are secure. Never use the equipment if it has not been properly adjusted or has not been fully or safely assembled.** Loose parts and screws could cause damage to the machine or personal injury if parts come loose or fall off during use. There is also a greater risk of vibration injury if screws are not tight.
- f) **Make sure that the handles are clean and dry and that there is no petrol mixture on them.** Moist or greasy surfaces may cause slipping control elements and could result you losing control of the machine.
- g) **DO NOT operate a chainsaw with one hand!** Serious injury to the operator, helpers, bystanders, or any combination of these persons may result from one-handed operation. A chainsaw is intended for two-handed use.
- h) **Carry the chainsaw with the engine stopped, the chain guard fitted, the guide bar and saw chain to the rear, and the muffler away from your body.** Serious injury to the operator, helpers, bystanders, or any combination of these persons may result from carrying the chainsaw, with the engine running.

- i) **Check your work area for debris that may be struck or thrown during operation.** Striking small objects such as stones with the chain may result in accident or injury if they are catapulted away.
- j) **Keep all parts of your body and items of clothing away from the chain when you start the engine and when the engine is running. Before you start the engine ensure that the chain will not strike an obstacle.** Allowing the chain to be too close to your body or clothing could result in damage to your clothing, or personal injury.
- k) **Always switch off the engine before working on the cutting tool.** If the engine is left running there is a risk of damage or injury.
- l) **Store the equipment and accessories in a safe place protected from naked flames and heat/ spark sources such as gas heaters, tumble driers, oil stoves or portable radiators, etc.** There is a risk of fire if the petrol fuel is not handled and stored carefully.
- m) **Do not start cutting until you have a clear work area, secure footing and a planned retreat path from a falling branch or falling tree.** Serious injury to the operator, helpers, bystanders, or any combination of these persons may result from not keeping a clear working area, not maintaining a secure footing or not having a planned retreat path.
- n) **Only adequately trained people and adults may use, adjust and maintain the equipment.** This will ensure that the safety of the machine is not compromised.
- o) **If you are not familiar with the equipment, practice handling it with the engine off.** An inexperienced operator can cause damage or injury by using the machine in the wrong way.

- p) **Always check the site you want to cut before you begin your work. Solid objects such as pieces of metal, bottles, stones, etc. can be catapulted away and cause serious injuries and permanent damage to the equipment. If you touch a solid object with the equipment by mistake, switch off the engine immediately and check the equipment for signs of damage. Never use the equipment if it is damaged or defective.** Using a damaged or defective machine can result in accident or injury.
- q) **Ensure that the chain does not turn when the engine is idling.** If this happens, stop using the machine and have it adjusted or repaired. Risk of accident or injury.
- r) **Always operate the equipment in its high speed range for trimming and cutting. Do not let the engine run at low speed at the start of cutting or during trimming work.** Cutting at too low a speed could cause chain snagging or clutch wear/engine stalling resulting in damage or injury.
- s) **NEVER use a chainsaw which is damaged, incorrectly adjusted or incompletely and loosely assembled. Make sure that the chainsaw stops when the chain brake is applied.** Failure to do this may result in accident or injury if parts become loose, or detached, or the chain brake does not operate.
- t) **When cutting a tree limb that is in tension, be alert for springback so that you will not be struck when the tension in the wood fibres is released.** This may cause reactions such as overbalancing which could result in damage to the machine, or serious personal injury or death.

- u) **Do not use the equipment if other people or animals are in the immediate vicinity. Keep a minimum distance of 15 m between yourself and other people or animals when cutting. Keep a distance of 30 m if you are cutting down to the ground.** This will help reduce or eliminate an accident or injury if small objects such as stones are caught by the chain and catapulted away.

2. Additional instructions

- a) **Do not use any fuel other than that recommended in the operating instructions. Always follow the instructions in the section 'Fuel and oil' on page 38.** Do not use petrol that has not been mixed correctly with 2-stroke oil. Otherwise there is a risk of causing permanent damage to the engine and of voiding the manufacturer's guarantee.
- b) **Do not smoke while refuelling or using the equipment.** There is a risk of the petrol fuel setting on fire from someone smoking in the vicinity of the fuel/machine.
- c) **Never use the equipment without the exhaust pipe and properly installed exhaust shield.** Using the equipment without the exhaust pipe and properly installed exhaust shield can cause hearing damage.
- d) **Do not touch the exhaust pipe, spark plug or other metallic parts with your hands or body while the engine is running or shortly after it is switched off as this can cause severe burns or electric shock.** Hold the equipment so that your fingers and thumbs are wrapped around the handle.
- e) **Do not use the equipment in an uncomfortable posture, off balance or with extended arms or with**

only one hand. Always use both hands on the equipment and wrap your fingers and thumbs around the handles.
injury Hazard.

- f) **Always keep the chain on the ground whilst the equipment is in operation.**
- g) **Chainsaw servicing, other than the items listed in the user manual safety and maintenance instructions, should be performed only by competent chainsaw service personnel.** Risk of injury/death.
- h) **Do not use the equipment over an extended period of time – take regular breaks.** Tiredness whilst using a machine could result in damage to the machine, or personal injury.
- i) **Do not use the equipment when tired or under the influence of alcohol or drugs.** Being tired or under the influence of drugs or alcohol whilst using a machine could result in damage to the machine, or personal injury.



National regulations differ in some countries and may restrict the use of the machine.

- J) **Any modifications to the product may place your personal safety at risk and cause the manufacturer's warranty to be voided.**
- K) **Never use the equipment near inflammable liquids or gases, neither in enclosed rooms nor outdoors. This may cause explosions and/or fire.** Fire/explosion risk.

- l) Do not use any other cutting tools. For your own safety you must use only the accessories and attachments which are listed in the operating instructions or which are recommended or specified by the manufacturer.** The use of cutting tools or accessories other than those recommended in the operating instructions or catalogue may place your personal safety at risk. Using non-approved accessories with the machine can result in accident or injury.
- m) If any liquid is spilled while filling the oil tank or the fuel tank, the equipment must be cleaned to remove the spilled liquid.** Fire/explosion risk.
- n) When transporting your chainsaw, always fit the chain guard over the bar and chain.** Risk of cutting.
- o) To detect significant damage or defects, the equipment must be inspected each time before use and each time after being dropped or suffering other shocks. Do not use the chainsaw if any damage has occurred as a result of dropping.** Risk of injury/death.

3. Safety of persons

- a) Be careful, pay attention to what you are doing and approach work with a chainsaw in a reasonable manner. Do not use a chainsaw if you are tired or under the influence of drugs, alcohol or medication.** A single moment of inattentiveness when using the chainsaw can result in serious injury.
- b) Always wear personal protective gear and a breathing mask in necessary.** Depending on the type of chainsaw and how it is used, wearing personal protective gear such

as a dust mask, non-slip safety shoes, a protective helmet plus eye and ear protection reduces the risk of injury. If you have long hair, wear a hair net. Use a breathing mask if performing dusty work.

- c) **Avoid accidents whilst carrying the device between using. Make sure that the chainsaw is turned off before you pick it up or carry it.** If the engine is running and you have your hand/fingers on the throttle lever and throttle lock when carrying the chainsaw, this may cause an accident.
- d) **Remove all adjusting tools or spanners before you switch the chainsaw on.** A tool or spanner in contact with a rotating part of the device may result in injury.
- e) **Avoid an abnormal posture.** Maintain a safe position and keep your balance at all times. This will allow you to have better control of the chainsaw in the event of unexpected situations.
- f) **Wear suitable clothing. Do not wear any loose-fitting clothing or jewellery. Keep your hair, clothing and gloves away from the moving parts.** Loose clothing, jewellery or long hair may get caught in the moving parts. It is recommended that you wear chainsaw specific safety gloves, sturdy non-slip footwear ear defenders and protective goggles.

4. Using and handling the chainsaw

- a) **Do not overload the device. Use the right chainsaw for your intended work.** The right chainsaw will ensure that you work more effectively and safely within the equipment's capabilities.

- b) **Do not use the chainsaw if its switch is defective.**
A chainsaw that can no longer be switched on or off is dangerous and must be repaired.
- c) **Pull off the spark plug boot and remove the spark plug before you make any adjustments to the device, or make changes to the chain.** This precaution will prevent the chainsaw from accidentally starting.
- d) **Keep unused chainsaws out of the reach of children. Do not let persons use the device who are not familiar with the device or have not read these instructions.**
chainsaws are dangerous if used by inexperienced persons.
- e) **Take good care of the chainsaws. Check to make sure that the moving parts are functioning properly and not stuck and whether parts are broken or damaged so as to affect the function of the chainsaw. Have damaged parts repaired or replaced before you use the device.**
A large number of accidents are caused by poorly maintained chainsaws.
- f) **Keep your chain teeth sharp and clean.** Well maintained cutting tools with sharp cutting edges are less likely to catch debris and are easier to guide.
- g) **Use extreme caution when cutting small size brush and saplings.** Slender material may catch the saw chain and be whipped towards you or pull you off balance.
- h) **Use the chainsaw, accessories, etc. in accordance with these instructions. At the same time, consider the working conditions and the work to be performed.**
Using chainsaws for applications other than the intended ones may result in dangerous situations.

5. Service

- a) **Only have your chainsaw repaired by a qualified professional and only with original spare parts.** This will ensure that the safety of the chainsaw is not compromised.

 **WARNING!**

Danger for children and persons with impaired physical, sensory or mental capacities (e.g. partially disabled persons, older persons with reduced physical and mental capacities) or lack of experience and knowledge (e.g. older children).

- The chainsaw may not be used by children and persons with impaired physical, sensory or mental capacities or lack of experience and knowledge.
- The operator must be at least 18 years of age; trainees who are at least 16 years of age may only operate the device if they are supervised.
- Children may not play with the chainsaw. Cleaning and user maintenance must not be performed by children.
- Do not allow children to play with the packaging wrapper. They may get caught in it when playing and suffocate.
- Make sure that children do not insert any objects in the chainsaw.

⚠ WARNING!**Risk of electric shock from the spark plug boot/spark plug!**

If the spark plug boot is damaged, or not mounted back in the correct position this may result in a high voltage electric shock if the engine is held during the starting procedure, or whilst the engine is running.

- Never operate the chainsaw in the wet or in the rain as this can increase the risk of electric shock from the spark plug boot.

⚠ WARNING!**Risks associated with using the chainsaw**

If used improperly or in a negligent manner, the chainsaw can inflict serious injury!

- Carefully read through the instructions on proper handling, preparatory steps, maintenance, starting and switching off the chainsaw. Familiarise yourself with all controls and switches as well as proper use of the chainsaw.
- The rotating chain poses a risk of injury for other persons, animals and your hands and fingers. Pay attention to the direction of rotation of the chain around the chain bar.
- Set up the chainsaw in a stable position.
- Prevent accidental start-up. Pull off the spark plug boot and remove the spark plug before you make any adjustments to the device, or make changes to the chain or chain bar.

- Safety devices on the machine may not be removed or dismantled.
- Check to make sure that moving parts are functional, that they are not jammed and that the parts are not damaged. All parts must be properly fitted to guarantee the safety of the device.
- Damaged protective devices and parts must be professionally repaired or replaced by a customer service workshop.
- You must replace a worn or damaged chain or chain bar. Pull off the spark plug boot and remove the spark plug before doing so.
- Damaged switches must be replaced by a customer service workshop. Do not use the chainsaw if the power switch cannot be turned on and off.
- Defects in the machine, including defects affecting protective devices and the chain and chain bar, must be reported to the person responsible for safety as soon as they are identified.
- For your own safety, only use accessories and auxiliary equipment specified in the instruction manual or recommended or specified by the tool manufacturer. Using tools or accessories other than those recommended in the instruction manual or catalogue may put you at risk of personal injury.
- The following factors may influence the effect of noise on the operator:
- Over-extended use for long periods of time. Take regular breaks with the machine switched off.

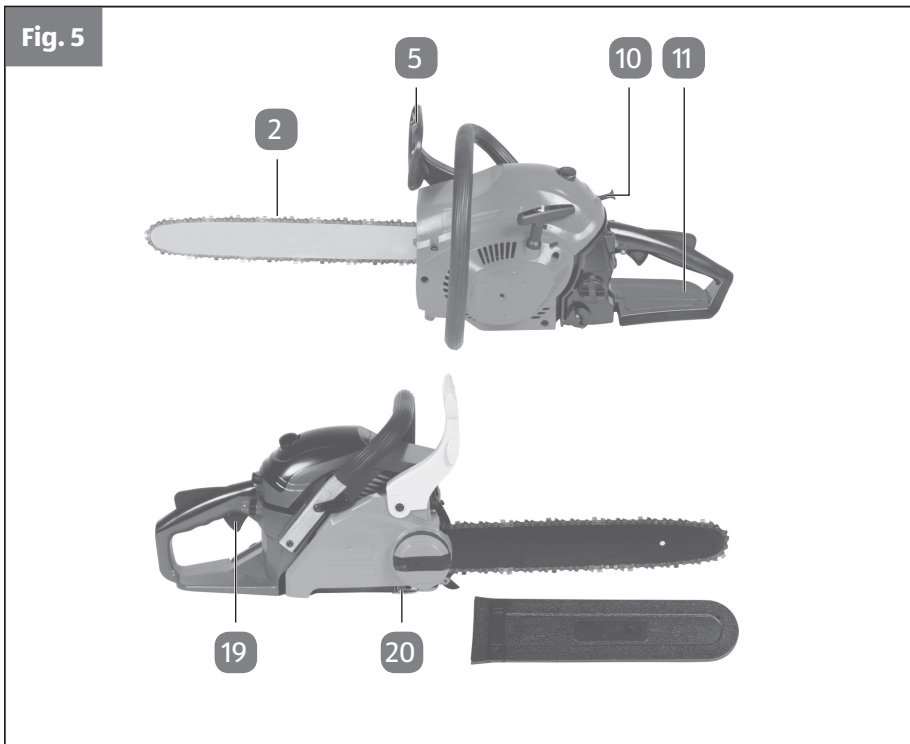
⚠ DANGER!

When using the equipment, a few safety precautions must be observed to avoid injuries and damage. Please read the complete operating instructions and safety regulations with due care. Keep this manual in a safe place, so that the information is available at all times. If you give the equipment to any other person, hand over these operating instructions and safety regulations as well. We cannot accept any liability for damage or accidents which arise due to a failure to follow these safety regulations and instructions.

6. Safety features (Fig. 5)

- 2 **LOW KICKBACK SAW CHAIN** helps significantly reduce kickback, or the intensity of kickback, due to specially designed depth gauges and guard links.
- 5 **CHAIN BRAKE LEVER/HAND GUARD** protects the operator's left hand in the event it slips off the front handle while saw is running.
- 5 **CHAIN BRAKE** is a safety feature designed to reduce the possibility of injury due to kickback by stopping a moving saw chain in milliseconds. It is activated by the **CHAIN BRAKE LEVER**.
- 10 **STOP SWITCH** immediately stops the engine when tripped. Stop switch must be pushed to ON position to start or restart the engine.
- 11 **SAFETY TRIGGER** prevents accidental acceleration of the engine. Throttle trigger (19) cannot be squeezed unless the safety latch is depressed.

- 16 **CHAIN GUARD** fitted when the engine is stopped, prevents the danger of cutting injury from the chain teeth.
- 20 **Chain catcher** reduces the danger of injury in the event saw chain breaks or derails during operation. The chain catcher is designed to intercept a whipping chain.



Study your saw and be familiar with its parts.

7. Safety notes primarily for the end user or occasional user

Kickback safety precautions

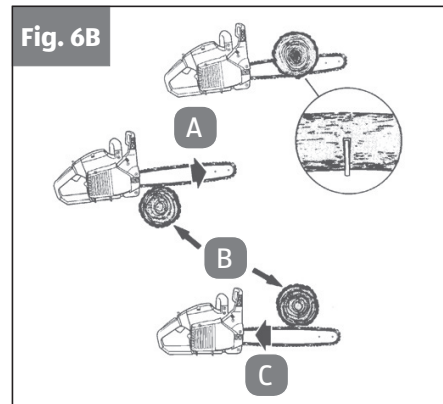
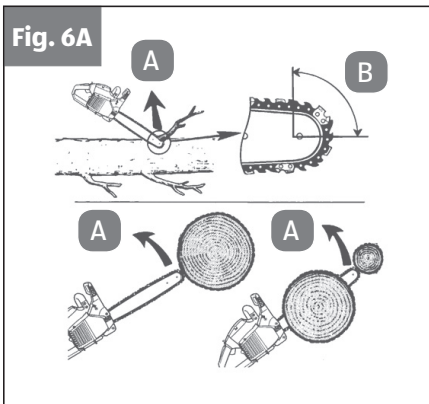
 **WARNING!**

Kickback can lead to dangerous loss of control of the chainsaw and result in serious or fatal injury to the saw operator or to anyone standing close by. Always be alert. Rotational kickback and pinch-kickback are major chainsaw operational dangers and the leading cause of most accidents.

- **KICKBACK** may occur when the **NOSE** or **TIP** of the guide bar touches an object, or when wood closes in and pinches the saw chain in the cut.
- Tip contact in some cases may cause a lightning-fast reverse reaction, kicking the guide bar up and back toward the operator.
- **PINCHING** the saw chain along the **BOTTOM** of the guide bar may **PULL** the saw forward away from the operator. **PINCHING** the saw chain along the **TOP** of the guide bar may **PUSH** the guide bar rapidly back toward the operator. Any of these reactions may cause you to lose control of the saw, which could result in serious personal injury.

⚠ WARNING!**Beware of the following:**

- Rotary recoil (Fig. 6A)
A = Recoil distance/B = Recoil reaction zone
- Impact/Jamming recoil and pulling reactions (Fig. 6B)
A = Pull/B = Solid objects/C = Push
- To prevent pulling reactions, place the wood you wish to cut against the claw stop. Use the claw stop as a pivot point during cutting.

**⚠ WARNING!**

The following information is primarily for the end user or occasional user. The chainsaw is designed for occasional use by home owners, garden owners and campers and is for general work such as stump grubbing, cutting firewood, etc. It is not designed for lengthy use. If it is used for a lengthy period, the vibrations it causes in the hands of the user may result in circulation problems (white finger syndrome).

The hand-arm vibration syndrome (vibration white finger) is a vascular disease that involves seizure-like spasms of the fingers and toes. The affected areas are no longer sufficiently supplied with blood and therefore appear extremely pale. The frequent use of vibrating equipment may trigger nerve damage in people with an impaired circulation (for example smokers, diabetics).

Should you observe any unusual impairments, interrupt your work immediately and consult a doctor. Follow these instructions in order to reduce the dangers:

- Keep your body and in particular your hands warm when working in the cold.
- Take regular breaks and move your hands to stimulate the blood circulation during the breaks.
- Ensure that the equipment makes the least possible vibration through regular maintenance and correctly tightened parts on the equipment.
- Kickback may occur when the nose or tip of the guide bar touches an object, or when the wood closes in and pinches the saw chain in the cut. If the bar tips contacts, it may cause a lightning-fast reverse reaction, kicking the guide bar up and back towards the operator. Pinching the saw chain along the top of the guide bar may push the guide bar rapidly back towards the operator. Either of these reactions may cause you to lose control of the saw, which could result in serious personal injury. Do not rely exclusively upon the safety devices built into your saw. As a chainsaw user, you should take several steps to keep your cutting jobs free from accident or injury.
- With a basic understanding of kickback, you can reduce or eliminate the element of surprise. Sudden surprise contributes to accidents.

- Keep a good firm grip on the saw with both hands, the right hand on the rear handle, and the left hand on the front handle, when the engine is running. Use a firm grip with thumbs and fingers encircling the chainsaw handles. A firm grip will help you reduce kickback and maintain control of the saw. Don't let go.
- Make sure that the area in which you are cutting is free from obstructions. Do not let the nose of the guide bar contact a log, branch, or any other obstruction which could be hit while you are operating the saw.
- Cut at high engine speeds.
- Do not overreach or cut above shoulder height.
- Follow the manufacturer's sharpening and maintenance instructions for the saw chain.
- Only use replacement bars and chains specified by the manufacturer or the equivalent.
- If the equipment becomes jammed when cutting, switch it off immediately and free it carefully. Finally, check the equipment for damage (e.g. a bent chain bar) and carry out a test run.

8. Safe operation

- The safety, working and maintenance notes of the manufacturer as well as the dimensions specified in the technical data must be complied with.
- Applicable accident prevention regulations and other generally recognised safety rules must be complied with.
- The operator must be informed about factors affecting the release of debris and dust, e.g. the type of wood being cut, dust in dry conditions and the correct configuration of the chain and chain bar.

- Wear a dust mask in dry conditions to prevent dust inhalation every time you perform any work.
- Before start-up, the protective guard must be correctly fitted and the chainsaw should never be operated without the protective guard.
- Always position yourself in a stable upright position when working with a chainsaw.
- Guide the chainsaw properly.
- Never stress the chainsaw so that it comes to a stop. Make sure that any sawdust and wood debris are not caught around the outside of the chain and chain bar or underneath the chain brake lever and clutch area (See Fig. 20d & Fig. 20e on Page 51).
- Never remove debris from the machine, while the engine is running.
- To remove debris from the chain and chain bar, switch the machine off and pull off the spark plug boot and remove the spark plug.
- Do not in any case push against the side of the chain and chain bar to stop it after switching off the engine.
- Observe the notes for lubricating the machine, and changing/replacing chains and chain bars.
- All protective and safety devices must be immediately remounted once repairs or maintenance are complete.

9. Residual risks

Despite being used properly, certain residual risk factors cannot be completely ruled out. The following risks associated with the design and construction of the machine may apply:

- Contact with exposed saw teeth of the saw chain (cutting hazards).

- Contact with the rotating saw chain (cutting hazards).
- Unforeseen, abrupt movement of the guide bar (cutting hazards).
- Flung parts from the saw chain (cutting/ejection hazards).
- Flung parts of the work piece (ejection hazards).
- Hearing loss in the event of failure to use the required ear protection.
- Inhaling of work piece particles, fumes from exhaust gasses, fuels and lubricants that are toxic and harmful to health. (Danger of poisoning).
- Skin contact with fuel (gasoline/oil).

 CAUTION!

The actual vibration values when operating the machine can deviate from the values given in the manual or specified by the manufacturer. This can be caused by the following influencing factors, which must be considered before and respectively during the operation.

- The appliance must be used correctly.
- The material must be cut in the correct way and handled properly.
- The machine must be correctly maintained and adjusted.
- The correct cutting tool must be used. The sharpness of the cutting tool must be in a good condition.
- All handles and if applicable optional vibration handles must be mounted. They must be fixed correctly onto the machine.

10. Safety and protective equipment

- Chain brake lever/front hand guard.
- Front handle.
- Safety lock.
- Rear handle/bootstrap.
- Chain guard.

Set up

Before starting the equipment

This chainsaw is supplied ready-assembled.

Check that all moving parts move smoothly before you start using the equipment. Check that all screws are securely fastened and also check all the safety devices.

Before adding fuel and starting the chainsaw, you must check the tension of the chain in case some of the fixings have come loose in transit.

Re-tension the chain, if this is necessary.

1. This chainsaw is supplied ready assembled. Remove the chain cover before use.

Fig.7 Chainsaw Ready Assembled

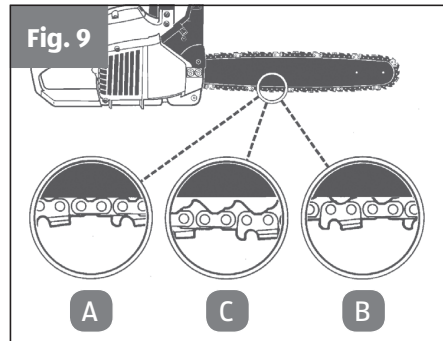
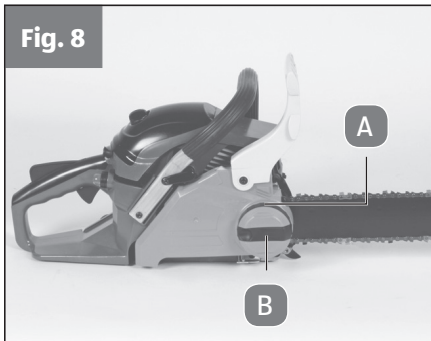


2. If it is necessary to re-tension the chain

Adjusting the chain tension

The correct tension of the saw chain is extremely important and must be checked before starting and periodically during all sawing work. If you take time to adjust the saw chain correctly, you will be able to make better cuts and the life of the chain will be prolonged.

- Hold the tip of the chain bar upwards and turn the chain tensioning wheel (Fig. 8/ pos. A) IN A CLOCKWISE DIRECTION in order to increase the chain tension. If you turn the chain tensioning wheel IN A COUNTER-CLOCKWISE DIRECTION, the chain tension will be reduced. Check that the chain is seated around the entire chain bar (Fig. 9/ pos. B).
- After making the adjustment and with the tip of the bar still upwards, tighten the bar fastening wheel (Fig. 8/pos. B). The chain is correctly tensioned when it is closely seated and can be pulled right around by hand.



⚠ WARNING!

Wear high-strength gloves at all times when handling or adjusting the saw chain.



If the chain is hard to turn around the chain bar or jammed, it is too tightly tensioned. Make the following small adjustments:

- A. Undo the bar fastening wheel (Fig. 8/pos. B) by 1/2 of a turn **COUNTERCLOCKWISE**. Then slacken the chain tension by slowly turning the chain tensioning wheel (Fig. 8/pos. A) **IN A COUNTER-CLOCKWISE DIRECTION** and then pull the chain back and forth on the bar (Fig. 8/9). Continue until the chain can be moved smoothly but is still closely seated (Fig. 9/pos. A). Increase the tension by turning the chain tensioning wheel **IN A CLOCKWISE DIRECTION**.
- B. When the saw chain is correctly tensioned, hold the tip of the bar upwards and completely tighten the bar fastening wheel (Fig. 8/pos. B).



A new saw chain stretches, requiring adjustment after as few as 5 cuts. This is normal with a new chain, and the interval between future adjustments will lengthen quickly.



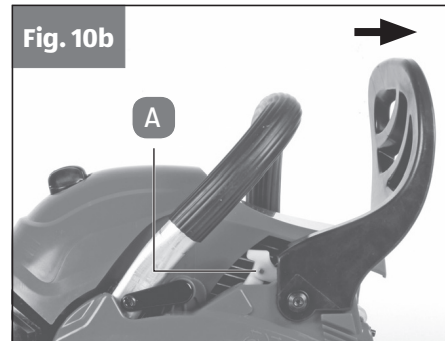
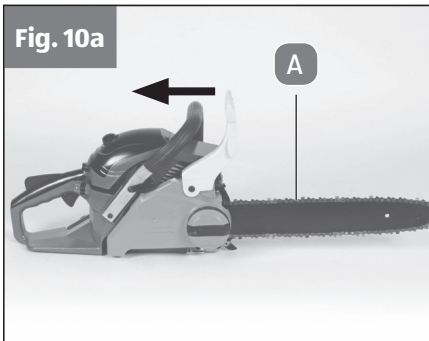
If the saw chain is **TOO LOOSE** or **TOO TAUT**, the drive wheel, chain bar, chain and crank shaft bearing will suffer premature wear. Fig. 9/pos. A shows the correct tension (when cold) and Fig. 9/pos. B shows the tension (when warm). Fig. 9/pos. C shows a chain that is too loose.

3. Chain brake mechanical test

Your chainsaw is equipped with a chain brake that reduces the possibility of injury due to kickback. The brake is activated if pressure is applied against the brake lever when, as in the event of kickback, the operator's hand strikes the lever. When the brake is actuated, chain movement stops abruptly.

⚠ WARNING!

The purpose of the chain brake is to reduce the possibility of injury due to kickback; however, it cannot provide the intended measure of protection if the saw is operated carelessly. Always test the chain brake before using your saw and periodically while on the job. (See below for details of how to perform a test of the mechanical brake).



To test chain brake

- The chain brake is **DISENGAGED** (chain can move) when the **BRAKE LEVER IS PULLED BACK AND LOCKED** (Fig. 10a).
- The chain brake is **ENGAGED** (the chain is locked) when the brake lever is pulled forward and the mechanism (Fig. 10b/pos. A) can be seen. It should not be possible to move the chain (Fig. 10a/pos. A).

⚠ WARNING!

The brake lever should snap into both positions. If strong resistance is felt, or the lever does not move into either position, do not use your saw. Take it immediately to a professional Service Centre for repair.

5. Fuel and oil – Recommended fuels

Use only a mixture of unleaded petrol and special 2-stroke engine oil. Mix the fuel mixture as indicated in the fuel mixing table.

⚠ CAUTION!

Do not use a fuel mixture which has been stored for longer than 90 days.

⚠ CAUTION!

Never use 2-stroke oil with a recommended mixing ratio of 100:1. The manufacturer's warranty will be voided in case of engine damage due to inadequate lubrication.

⚠ CAUTION!

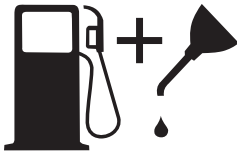
Only use containers designed and approved for the purpose to transport and store fuel. Pour the correct quantities of petrol and 2-stroke oil into the mixing bottle provided (see scale printed on the bottle). Then shake the bottle well.

Recommended fuels

Some conventional petrols are being blended with oxygenates such as alcohol or an ether compound to meet clean air standards. Your engine is designed to operate satisfactorily on any petrol intended for automotive use including oxygenated petrols. It is recommended to use unleaded petrol as fuel.

Lubrication of chain and chain bar

Whenever you refill the fuel tank with petrol you must also top up the level of chain oil in the chain oil tank. It is recommended to use standard chain oil.



Petrol and Oil Mix 40:1



Oil Only

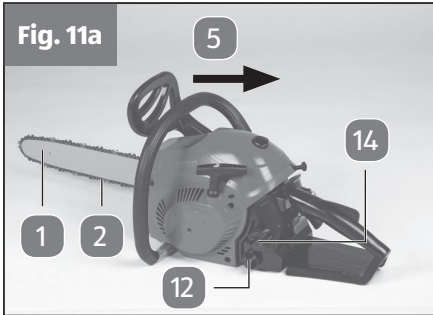
6. Fuel mixing table

Mixing Procedure: 40 parts petrol to 1 part 2-stroke oil.

Petrol	2-stroke oil
1 litre	25 ml
5 litres	125 ml

7. Engine pre-start checks:

Use only a mixture of unleaded petrol and special 2-stroke engine oil. Mix the fuel mixture as indicated in the fuel mixing table.



⚠ CAUTION!

Never start or operate the saw unless the bar, chain and chain brake lever / front hand guard are properly installed.

1. Fill the fuel tank with correct fuel mixture (Fig. 11a/pos. 14).
2. Fill the oil tank with chain oil (Fig. 11a/pos. 12).
3. Be certain the chain brake is disengaged before starting the unit (Fig. 11a/pos 5).

Once you have filled the chain and oil tank, tighten the tank cover securely by hand. Do not use any tools to do so.

Use

Description of components and control elements

Proper use

The 41cc Petrol Chainsaw is to be used only for its prescribed purpose. Any other use is deemed to be a case of misuse. The user/operator and not the manufacturer will be liable for any damage or injuries of any kind caused as a result of this.

Please note that our equipment has not been designed for use in commercial, trade or industrial applications. Our warranty will be voided if the machine is used in commercial, trade or industrial businesses or for equivalent purposes.

Operation

Please note that the statutory regulations governing noise abatement may differ from one location to another.

Each time before use, check the following:

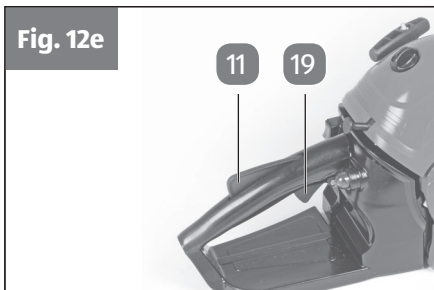
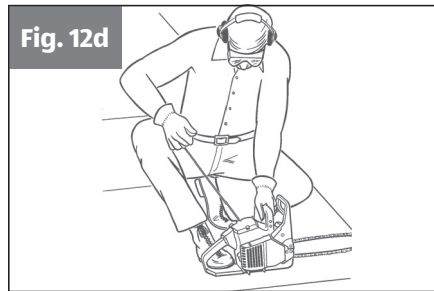
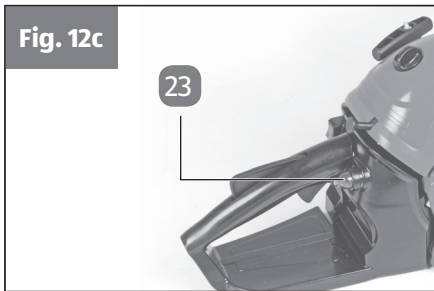
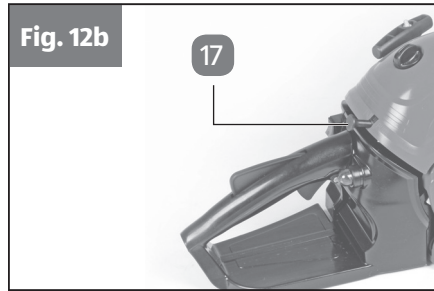
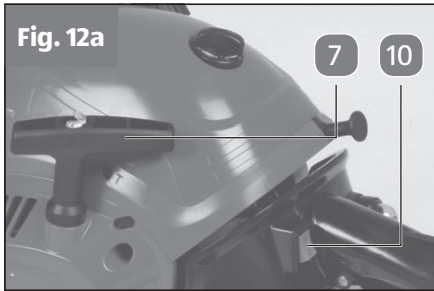
- That there are no leaks in the fuel system.
- That the equipment is in perfect condition and that the safety devices and cutting devices are complete.
- That all screws are securely fastened.
- That all moving parts move smoothly.

Starting the engine when cold (See Fig. 12a - 12e & Fig. 11b)

Fill up the fuel tank with the relevant mixture of petrol and oil (Fig.11a/pos. 14), and also top up the chain oil (Fig.11a/pos. 12). See the section 'Fuel and oil' on page 38.

Disengage the chain brake

1. Switch the stop switch to '0' (OFF) (Fig. 12a/pos.10).
2. Pull the choke fully out until it locks (Fig. 12b/pos.17).
3. Push the primer bubble 10 times (Fig. 12c/pos.23).
4. Place the saw on a firm, flat surface. Hold the saw firmly as shown. Pull the starter cord rapidly 2 times. (Fig. 12a/pos.7 & Fig. 12d) Beware of moving chain!
5. Push in the choke lever as far as it will go (Fig. 12b/pos.17).
6. Switch the stop switch to 'I' (ON) to start the machine (Fig. 12a/pos.10).
7. Hold the saw firmly and pull the starter rapidly 4 times. Engine should start (Fig. 12d).



- 7 Starter line / starter cable.
- 10 ON/OFF (stop) switch.
- 11 Safety Throttle lock.
- 17 Choke.
- 19 Throttle lever.
- 23 Fuel pump 'primer bubble'.

⚠ CAUTION!

Never allow the starter line to snap back when it has been pulled out. This may result in damage.

⚠ CAUTION!

Since the choke (Fig.12b/pos.17) is closed, the chain starts to move and rotate **AT HIGH SPEED**, immediately the engine is started.

8. Let the engine run for 10 seconds to warm up. Press the safety throttle lock & throttle lever briefly, the engine will go to 'idling' speed (Fig. 12e/pos.11 & pos.19).

⚠ CAUTION!

Always pull the starter cable slowly (until you feel the initial resistance) before you then pull it quickly to start the engine. Do not allow the starter cable to whip back of its own accord.



If the engine does not start up even after several attempts, read the section 'Malfunction and remedy (FAQ)' on page 54.



Always pull out the starter cable in a straight line. If it is pulled out at an angle, friction will occur on the eyelet.



As a result of this friction, the starter line will become frayed and will wear away faster. Always hold the starter cable when the starter line retracts.

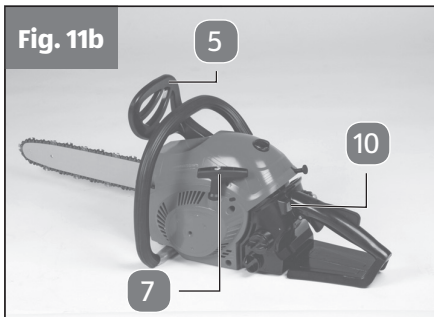
Starting the engine when warm

(The equipment has been idle for less than 15-20min)

Fill up the fuel tank with the relevant mixture of petrol and oil (Fig.11a/pos. 14), and also top up the chain oil (Fig.11a/pos. 12). See the section 'Fuel and oil' on page 38.

Be certain the chain brake is disengaged before starting the unit (Fig. 11b/pos 5).

1. Make sure the stop switch is in the 'I' (ON) position (Fig.11b/pos.10).
2. Set the equipment down on a firm level flat surface. Hold the saw firmly as shown. (Fig. 12d) Beware of moving chain!
3. Pull the starter rapidly 6 times (Fig. 11b/pos.7 & Fig. 12d). The engine should start. If the equipment does not start after 6 tugs, repeat steps 1-6 of the procedure for starting the engine from cold (See page 41).



Each time before use, check the following:

- That there are no leaks in the fuel system.

Switching off the engine

Emergency Stop procedure:

To stop the engine in an emergency, activate the Chain brake lever / front hand guard (Fig.11b/pos. 5). This will immediately stop the chain. Then switch the ON/OFF (Fig.11b/pos.10) switch to 'Stop (0)'.

Normal procedure:

Let go of the throttle lever (Fig. 12e/pos. 19) and wait until the engine has changed to idling speed. Then set the On/Off switch (Fig. 12a/pos. 10) to 'Stop (0)'.

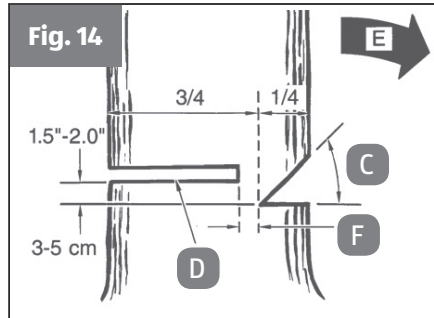
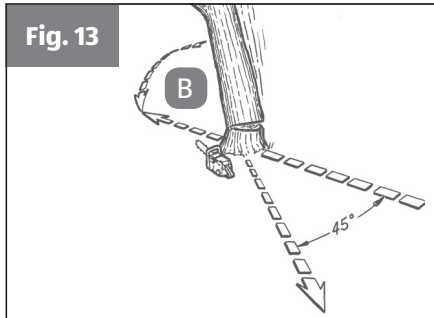


Practice all the work steps with the engine switched off before you start to use the equipment.

General Cutting instructions

⚠ CAUTION!

Felling trees is prohibited without the necessary training!



Felling

- Felling is the term for cutting down a tree. Small trees up to 6-7 inches (15-18 cm) in diameter are usually cut in a single cut. Larger trees require notch cuts. Notch cuts determine the direction the tree will fall.
- A retreat path (A) should be planned and cleared as necessary before cuts are started. The retreat path should extend back and diagonally to the rear of the expected line of fall (Fig. 13).
- If felling a tree on sloping ground, the chainsaw operator should keep on the uphill side of the terrain, as the tree is likely to roll or slide downhill after it is felled.
- Direction of fall (Fig. 13/pos. B) is controlled by the notching cut. Before any cuts are made, consider the location of larger branches and natural lean of the tree to determine the way the tree will fall (Fig. 13).
- Do not cut down a tree during high or changing winds or if there is a danger to property. Consult a tree professional. Do not cut down a tree if there is a danger of striking utility wires; notify the utility company before making any cuts.

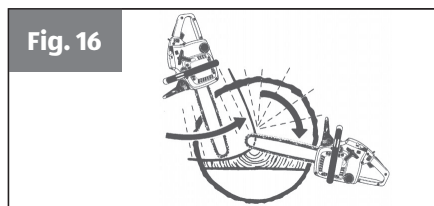
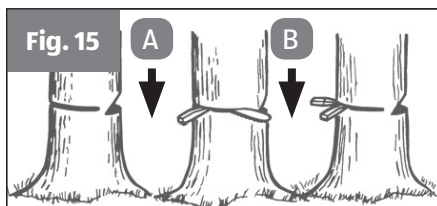
General guidelines for felling trees (Fig. 14)

- Normally felling consists of 2 main cutting operations, notching (Fig. 14/Pos. C) and making the felling cut (Fig. 14/Pos. D).
- Start making the upper notch cut (Fig. 14/Pos. C) on the side of the tree facing the felling direction.
- Be sure you don't make the lower cut too deep into the trunk. The notch (Fig. 14/Pos. C) should be deep enough to create a hinge (Fig. 14/Pos. F) of sufficient width and strength. The notch should be wide enough to direct the fall of the tree for as long as possible.

- Never walk in front of a tree that has been notched. Make the felling cut (Fig. 14/Pos. D) from the other side of the tree and 1.5 - 2.0 inches (3-5 cm) above the edge of the notch (Fig. 14/Pos. C). Never saw completely through the trunk. Always leave a hinge (Fig. 14/Pos. F). The hinge guides the tree. If the trunk is completely cut through, control over the felling direction is lost. Insert a wedge or felling lever in the cut well before the tree becomes unstable and starts to move. This will prevent the guide bar from binding in the felling cut if you have misjudged the falling direction. Make sure no bystanders have entered the range of the falling tree before you push it over.
- Before making the final cut, always recheck the area for bystanders, animals or obstacles.

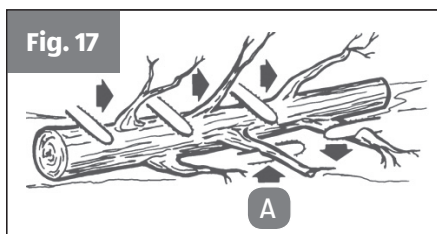
Felling cut

- Use wooden or plastic wedges (Fig. 15/pos. A) to prevent binding the bar or chain (Fig. 15/pos. B) in the cut. Wedges also control felling (Fig. 15).
- When the diameter of wood being cut is greater than the bar length, make 2 cuts as shown (Fig. 16).
- As the felling cut gets close to the hinge, the tree should begin to fall. When the tree begins to fall, remove the saw from the cut, stop engine, put the chainsaw down, and leave area along the retreat path (Fig. 13).



Limbing

- Limbing a tree is the process of removing the branches from a fallen tree. Do not remove supporting limbs (Fig. 17/pos. A) until after the log is bucked (cut) into lengths (Fig. 17). Branches under tension should be cut from the bottom up to avoid binding the chainsaw.
- Never cut tree limbs while standing on the tree trunk.



Bucking

- Bucking is cutting a fallen log into lengths. Make sure you have a good footing and stand uphill of the log when cutting on sloping ground. If possible, the log should be supported so that the end to be cut off is not resting on the ground. If the log is supported at both ends and you must cut in the middle, make a downward cut halfway through the log and then make the undercut. This will prevent the log from pinching the bar and chain. Be careful that the chain does not cut into the ground when bucking as this causes rapid dulling of the chain. When bucking on a slope, always stand on the uphill side.
 1. Log supported along entire length: Cut from top (overbuck), being careful to avoid cutting into the ground (Fig. 18a).
 2. Log supported on 1 end: First, cut from bottom (underbuck) 1/3 diameter of log to avoid splintering. Second, cut from above (overbuck) to meet first cut and avoid pinching (Fig. 18b).
 3. Log supported on both ends: First, overbuck 1/3 diameter of log to avoid splintering. Second, underbuck to meet first cut and avoid pinching (Fig. 18c).
- The best way to hold a log while bucking is to use a sawhorse. When this is not possible, the log should be raised and supported by the limb stumps or by using supporting logs. Be sure the log being cut is securely supported.

Fig. 18a

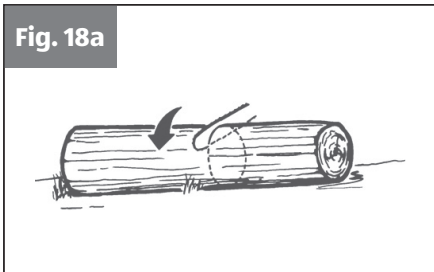


Fig. 18b

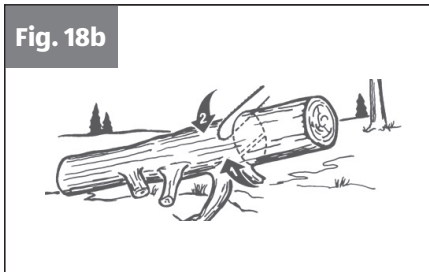
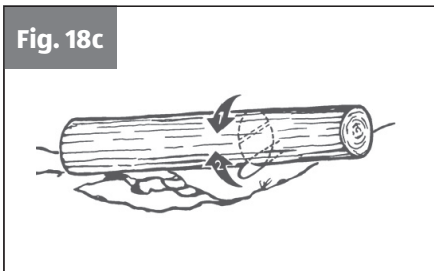


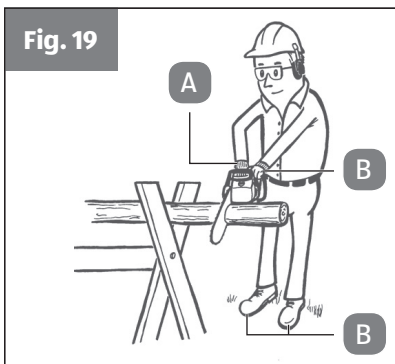
Fig. 18c



Bucking using a sawhorse (Fig. 19)

– For personal safety and ease of cutting, the correct position for vertical bucking is essential (Fig. 19).

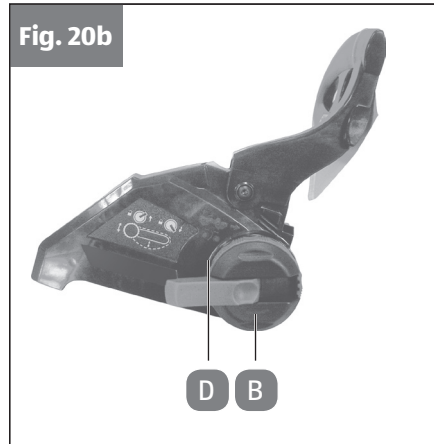
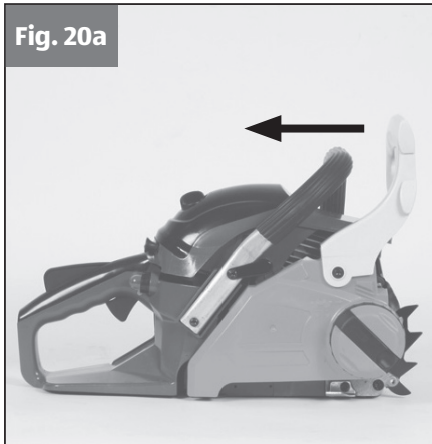
- A** Hold the saw firmly with both hands and keep the saw to the right of your body while cutting.
- B** Keep the left arm as straight as possible.
- C** Keep the weight on both feet.

**⚠ CAUTION!**

When working with the saw, always make sure that the saw chain and chain bar are sufficiently lubricated.

How to remove the chain or chain bar for replacement maintenance & cleaning

1. Make sure the chain brake lever is pulled back into the **DISENGAGED** position (Fig. 20a).
2. Extend the lever on the Bar fastening knob (Fig. 20b/pos. B) & completely unscrew **COUNTERCLOCKWISE** (Fig. 20b/20d). Then remove the complete side cover (Fig. 20b).



Complete any necessary replacement of parts, maintenance or cleaning.
(See other pages in this operating instruction guide).

Re-assembly of the chain bar and chain to the engine unit

⚠ CAUTION!

Do not start the engine until the saw is fully assembled.

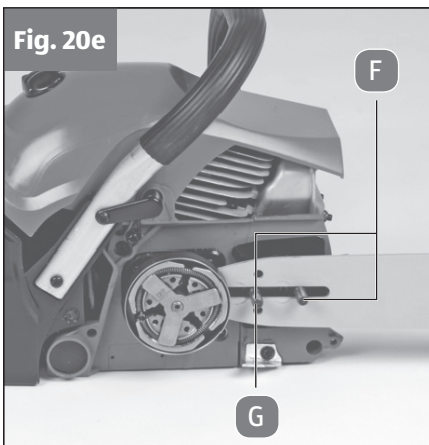
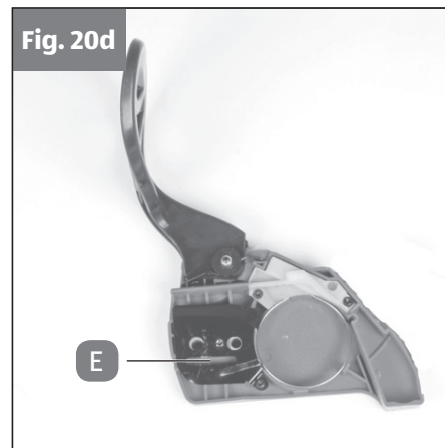
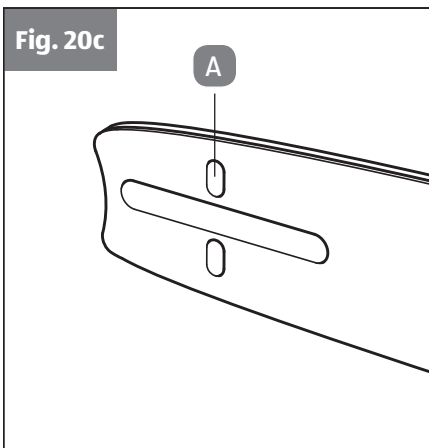
⚠ CAUTION!

Wear protective gloves at all times when handling the chain.

Fit the chain bar

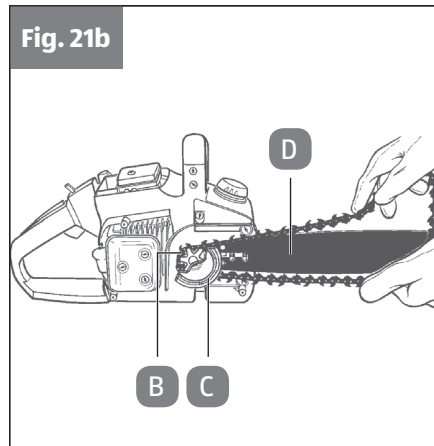
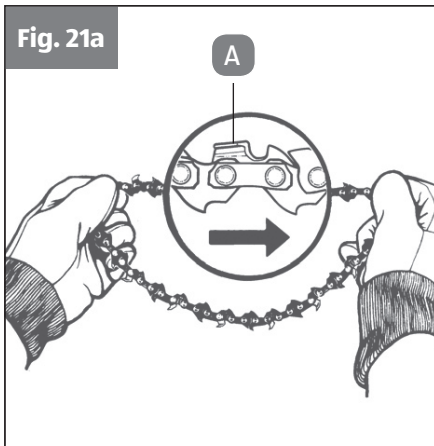
To ensure that the bar and the chain are supplied with oil, **USE ONLY THE ORIGINAL BAR**. The oiling hole (Fig. 20c/pos. A) must be kept clear of dirt and any build-up of residue.

1. Make sure the Chain brake lever is pulled back into the **DISENGAGED** position (Fig. 20a)
2. Turn the chain tensioning wheel (Fig. 20b/pos. D) **IN A COUNTER-CLOCKWISE DIRECTION** until the **TANG (Fig. 20d/pos E)** (projecting pin) is at the end of its sliding path in the direction of the clutch and gear wheel (Fig. 20b/20d).
3. Fit the open end of the chain bar over the bar pins (Fig. 20e/pos. F).



To install the saw chain

- Spread the chain out in a loop with the cutting edges (Fig. 21a/pos. A) pointing **CLOCKWISE** around the loop.
- Slip the chain around the sprocket (Fig. 21b/pos. B) behind the clutch (Fig. 21b/pos. C). Make sure the links fit between the sprocket teeth (Fig. 21b).
- Guide the drive links into the groove (Fig. 21b/pos. D) and around the end of the bar (Fig. 21b).

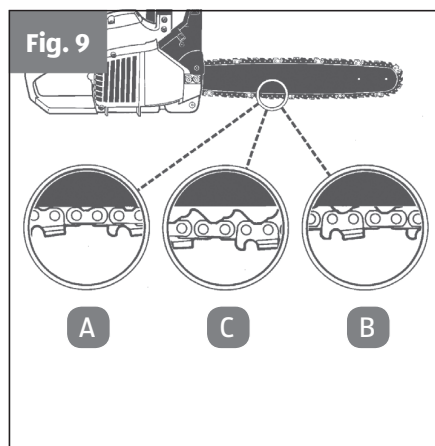
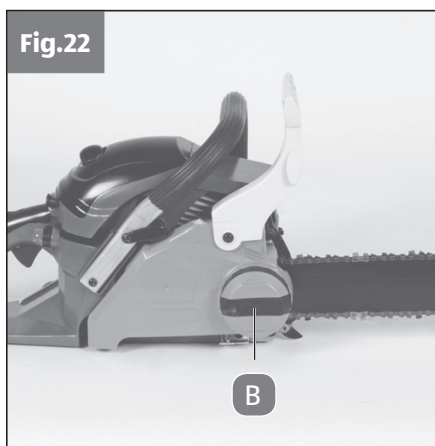


NOTICE!

The saw chain may droop slightly on the lower part of bar. This is normal.

41cc Petrol Chainsaw – GLPC 41

- Pull the chain bar forward until the chain is closely seated. Make sure that all the drive links are in the groove of the bar.
- Align the chain bar such that the **TANG** (Fig. 20d/pos E) fits into the hole (Fig. 20d/pos G) in the chain bar.
- Fit the Chain brake lever / front hand guard (Fig. 22) and turn the bar fastening knob & lever (Fig. 22d/pos B) clockwise to secure it. The chain is not allowed to slip off the guide bar when you do this. Only loosely tighten the bar fastening knob & lever at this stage and then follow the instructions for adjusting the chain tension as described in the section **ADJUSTING THE CHAIN TENSION** (See page 35).



Malfunction and remedy (FAQ)

Problem	Problem Cause	Corrective Action
Unit won't start or starts but will not run.	Incorrect starting procedures.	Follow instructions in the User Manual.
	Incorrect carburettor mixture adjustment setting.	Have carburettor adjusted by an Authorised Service Centre.
	Fouled spark plug.	Clean / gap or replace plug.
	Fuel filter blocked.	Replace fuel filter.
Unit starts, but engine has low power.	Incorrect lever position on choke.	Move to RUN position.
	Dirty air filter.	Remove, clean and reinstall filter.
	Incorrect carburettor mixture adjustment setting.	Have carburettor adjusted by an Authorised Service Centre.
Engine hesitates.	Incorrect carburettor mixture adjustment setting.	Have carburettor adjusted by an Authorised Service Centre.
No power under load.	Incorrectly gapped spark plug.	Clean / gap or replace plug.
Runs erratically.	Incorrect carburettor mixture adjustment setting.	Have carburettor adjusted by an Authorised Service Centre.
Smokes excessively.	Incorrect fuel mixture.	Use properly mixed fuel (40:1 mixture).
Poor performance when operated.	1. Blunt chain. 2. Loose chain. 3. Chain on wrong way round.	1. Sharpen or replace the chain. 2. Tension the chain. 3. Fit chain correct way round.
Engine dies.	1. Empty petrol tank. 2. Fuel filter in the wrong position in the tank.	1. Fill up the petrol tank. 2. Completely fill the petrol tank or re-position the fuel filter in the petrol tank.
Insufficient chain lubrication (the cutter rail and chain get hot).	1. Empty oil tank for the chain. 2. Oil lubrication openings blocked.	1. Top up the oil tank for the chain. 2. Clean the oil lubrication hole in the cutter bar (Fig. 20c/pos. A) Clean the groove in the cutter bar.

Cleaning

 **CAUTION!**

Set the On/Off switch to Stop (0) & disconnect the spark plug boot (Fig. 24b/pos. D - See page 58) before doing any cleaning and maintenance work! Risk of electric shock, if the engine is running.

Carrying out any cleaning work

- The equipment should be cleaned thoroughly every time after it has been used. This applies particularly to the chain and bar.
- Keep the air vents and the motor housing free of dirt and dust as far as possible. Wipe the equipment with a clean damp cloth or blow it down with compressed air at low pressure.
- It is easiest to remove sawdust and wood chippings immediately after use.
- Clean the equipment regularly with a damp cloth and some soft soap. Do not use cleaning agents or solvents; these may be aggressive to the plastic parts in the equipment. Ensure that no water can get into the interior of the equipment.

Maintenance and servicing

Maintenance

⚠ CAUTION!

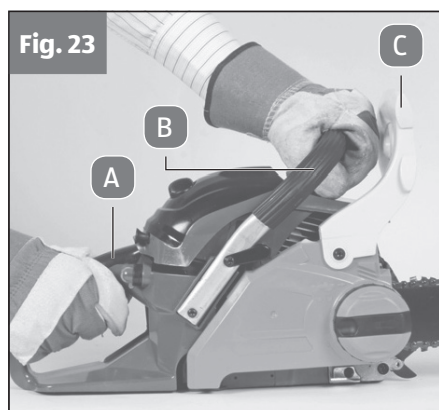
All maintenance work on the chainsaw apart from the work described in this manual may only be carried out by authorised after-sales service personnel.

Chain brake operational test

Test the chain brake periodically to ensure proper function. Perform a chain brake test prior to initial cutting, following extensive cutting, and definitely following any Chain brake service.

Test chain brake as follows (Fig. 23):

1. Place saw on a clear, firm, flat surface.
2. Start the engine.
3. Grasp the rear handle (Fig. 23/pos. A) with your right hand.
4. With your left hand, hold the front handle (Fig. 23/pos. B) (not chain brake lever) (Fig. 23/pos. C) firmly.
5. Squeeze the throttle trigger to 1/3 throttle, then immediately activate the chain brake lever (Fig. 23/pos. C).



⚠ CAUTION!

Activate the chain brake slowly and deliberately. Keep the chain from touching anything; don't let the saw tip forward.

6. Chain should stop abruptly. When it does, immediately release the throttle trigger.

⚠ CAUTION!

If chain does not stop, turn engine off and take your unit to the nearest Authorized Service Centre for service.

7. If the chain brake functions properly, turn the engine off and return the chain brake to the **DISENGAGED** position.

Air Filter**NOTICE!**

Never operate the saw without the air filter. Dust and dirt will be drawn into the engine and damage it. Keep the air filter clean! The air filter must be cleaned or replaced after every 20 hours of service.

Maintenance and ordering of spare parts

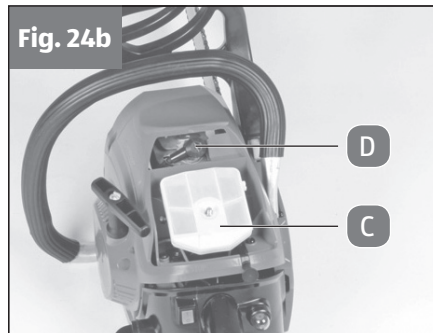
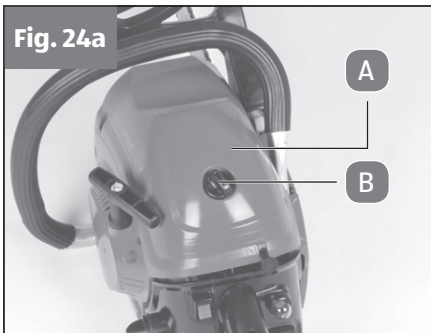
Always switch off the equipment and disconnect the spark plug boot (Fig. 4/Item 23) before carrying out any maintenance work.

Cleaning the air filter (Fig. 21A/21B)

1. Ensure the On/Off switch is set to Stop (0).
2. Remove the top cover (Fig.24a/pos. A) by undoing the cover fastening screw (Fig. 24a/ pos. B) on the cover. You can then remove the cover (Fig. 24a/pos. A).
3. Disconnect the spark plug boot (Fig. 24b/pos. D) from the spark plug by pulling and twisting it simultaneously (Fig. 24b).
4. Lift out the air filter (Fig. 24b/pos. C).
5. Clean the air filter. Wash the filter in clean, warm, soapy water. Rinse in clear, cool water. Air dry completely before refitting.



It is advisable to have a supply of spare filters.

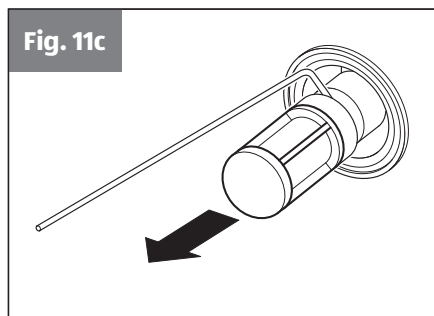
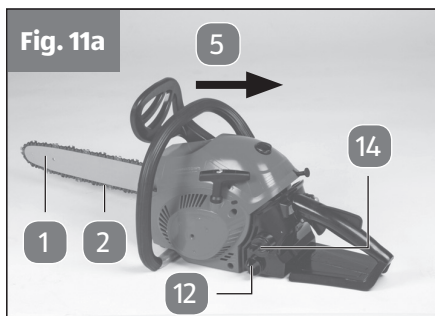


6. Insert the air filter. Refit the top cover for the engine/air filter (Fig.24a/pos. A). Make sure that the cover fits perfectly when you do so. Tighten the fastening screw for the cover (Fig. 24a/pos. B).

Fuel Filter**NOTICE!**

Never use the saw without a fuel filter. After 100 hours in operation the fuel filter should be cleaned or, in case of damage, replaced. Be sure to empty the fuel tank before changing the filter.

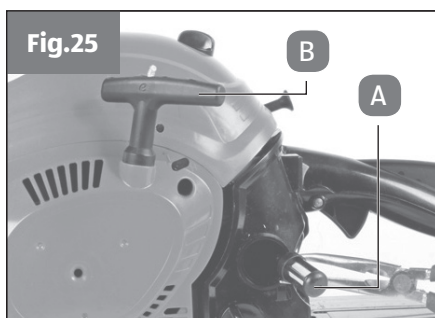
1. Ensure the On/Off switch is set to Stop (0).
2. Remove the top cover & disconnect the spark plug boot (See page 58).
3. Remove the fuel tank cap (Fig.11a/pos. 14).
4. Bend a piece of soft wire.
5. Reach into the fuel tank opening and hook the fuel line. Carefully pull the fuel line toward the opening until you can reach it with your fingers (Fig.11c).



NOTICE!

Do not pull hose completely out of tank.

6. Lift the filter out of tank (Fig. 25/pos. A).
7. Pull the filter off the fuel pipe with a twist and clean it. (If the filter is damaged, dispose of it and replace it with a new filter).
8. Insert the end of the cleaned /new filter onto the fuel pipe. Place one end of the filter into the tank opening. Make sure that the filter is seated in the lower corner of the tank. If necessary, use a long screwdriver to move the filter to its correct position, taking care not to damage it in the process.
9. Fill tank with fresh fuel / oil mixture. See the Section Fuel and Lubrication (See page 62). Securely refit the fuel tank cap.

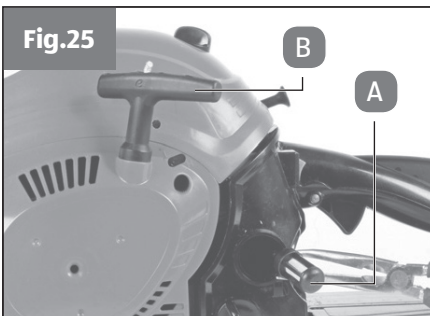
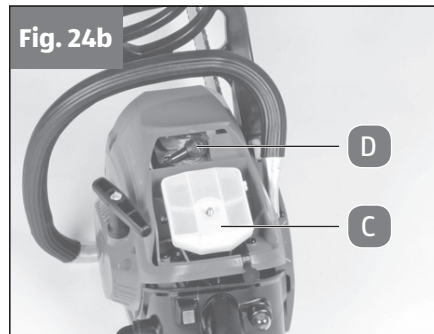
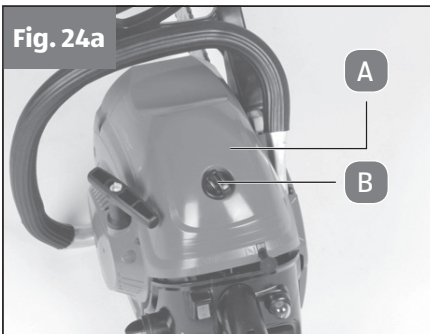


Spark plug (Fig. 24b)

NOTICE!

To ensure that the saw's engine retains its power, the spark plug must be clean and have the correct electrode gap (0.6 mm). The spark plug must be cleaned or replaced after every 20 hours of service.

1. Set the On/Off switch to Stop (0).
2. Remove the top cover (Fig. 24a/pos. A) by undoing the cover fastening screw (Fig. 24a/pos. B) on the cover. You can then remove the cover (Fig. 24a/pos. A).
3. Disconnect the ignition cable (Fig. 24b/pos. D) from the spark plug by pulling and twisting it simultaneously.
4. Remove the spark plug using the supplied spark plug wrench (Fig.4/pos. 22). **DO NOT USE ANY OTHER TOOLS.**
5. Clean the spark plug with a copper wire brush and refit it, or fit a new spark plug. Then replace the top cover.



Carburettor settings

NOTICE!

Settings on the carburettor may only be made by authorised customer service personnel.

Setting the idling speed

NOTICE!

Settings on the carburettor may only be made by authorised customer service personnel.

Set the idling speed when the machine is warm. If the engine stalls when the throttle is not pressed and you have ruled out all the other causes listed in the 'Malfunction and remedy' section (See page 54), the idling speed must be adjusted. To do this turn the idling speed screw (Fig. 25/pos. B) clockwise until the machine runs smoothly at idling speed. If the idling speed is so fast that the chain turns as well, it has to be reduced by turning the idling speed screw counter-clockwise (Fig. 25/pos. B) for as long as is required for the chain to stop turning as well.

Chain bar maintenance

Regular lubrication of the chain bar (guide rail for the chain and teeth) is essential. The chain bar needs the maintenance described in the following section in order for the saw to work at an optimum level of performance.

NOTICE!

The sprocket tip on your new saw has been pre-lubricated at the factory. Failure to lubricate the guide bar sprocket tip as explained below will result in poor performance and seizure, voiding the manufacturer's warranty.

Tools for lubrication

The Lube Gun (optional) is recommended for applying grease to the guide bar sprocket tip. The Lube Gun is equipped with a needle nose tip which is necessary for the efficient application of grease to the sprocket tip (Fig. 26).

To lubricate the sprocket tip

Lubrication of the sprocket tip is recommended after 10 hours of use or once a week, whichever occurs first. Always thoroughly clean guide bar sprocket tip before lubrication.

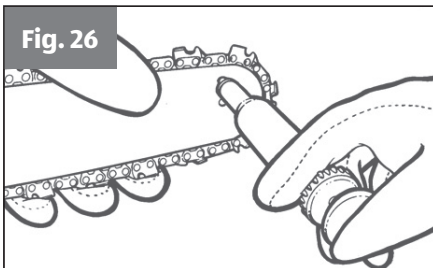
NOTICE!

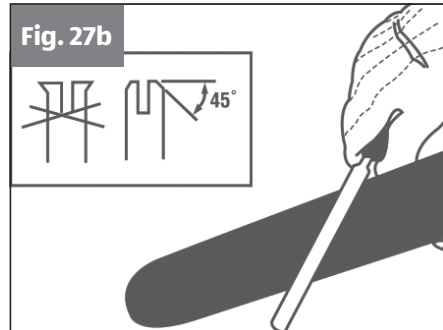
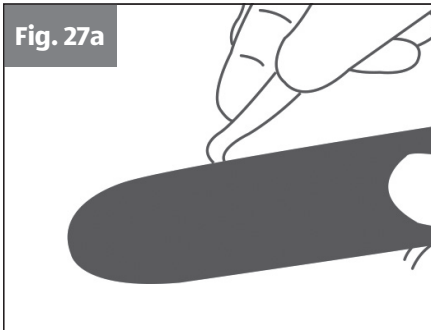
The saw chain does not have to be removed in order to lubricate the sprocket tip of the chain bar. Lubrication is possible during work, with the engine switched off.

CAUTION!

Wear heavy duty work gloves when handling the bar and chain.

1. Set the On/Off switch to Stop (0).
2. Remove the top cover & disconnect the spark plug boot (See page 58).
3. Clean the guide bar sprocket tip.
4. Using the Lube Gun (optional), insert the needle nose into the lubrication hole and inject grease until it appears at the outside edge of the sprocket tip (Fig. 26).
5. Rotate the saw chain by hand. Repeat the lubrication procedure until the entire sprocket tip has been greased.





Most guide bar problems can be prevented merely by keeping the chainsaw well maintained. Insufficient guide bar lubrication and operating the saw with a chain that is **TOO TIGHT** will contribute to rapid bar wear. To help minimize bar wear, the following guide bar maintenance procedures are recommended.

⚠ CAUTION!

Always wear protective gloves during maintenance operations. Do not carry out maintenance when the engine is hot.

Turning the chain bar

The bar should be reversed every 8 working hours to ensure uniform wear. Keep the bar groove and lubrication hole clean using a bar groove cleaner (Not supplied - Fig. 27a). Check the bar rails frequently for wear and, if necessary, remove the burrs and square-up the rails using a flat file (Not supplied Fig. 27b).

⚠ CAUTION!

Never fit a new chain to a worn chain bar.

Oil passages

Oil passages on the bar should be cleaned to ensure proper lubrication of the bar and chain during operation.

NOTICE!

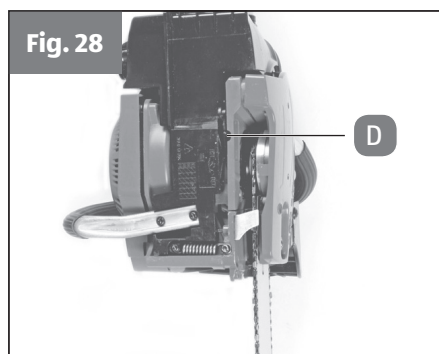
The condition of the oil passages can be easily checked. If the passages are clear, the chain will automatically give off a spray of oil within seconds of starting the saw. Your saw is equipped with an automatic oiler system.

Automatic chain lubrication

The chainsaw is equipped with an automatic oil lubrication system with a toothed wheel drive. It automatically supplies the bar and the chain with the right quantity of oil. The moment the engine is accelerated, the oil also starts to flow through the bar plate more quickly as well. The chain lubrication system has been set to its perfect adjustment at the factory. If it requires adjusting, take the saw to your nearest authorised after-sales service outlet.

A setting screw for adjusting the chain lubrication (Fig. 28/pos. D) is located on the underside of the chainsaw. Turning the screw counter-clockwise increases the chain lubrication, turning it clockwise decreases the chain lubrication.

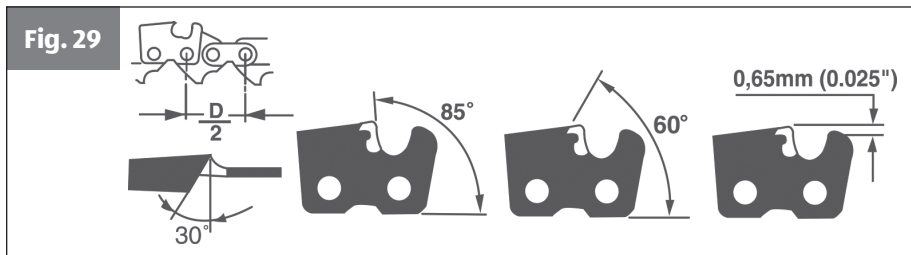
To check the chain lubrication, hold the chainsaw, with the chain, over a piece of paper and run it at full speed for a few seconds. You will be able to judge the set amount of oil from the paper.



Chain maintenance

Chain sharpening (Fig. 29 - Fig. 31)

Chain sharpening requires special tools to ensure that cutters are sharpened at the correct angle and depth. For the inexperienced chainsaw user, we recommend that the saw chain be professionally sharpened by the nearest professional Service Centre. If you feel comfortable sharpening your own saw chain, special tools are available from the professional Service Centre.

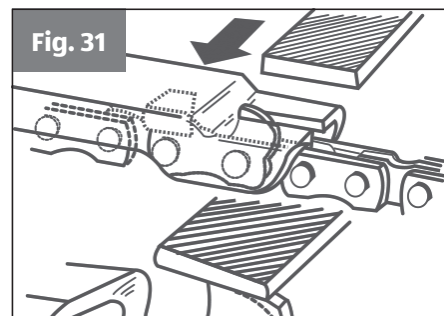
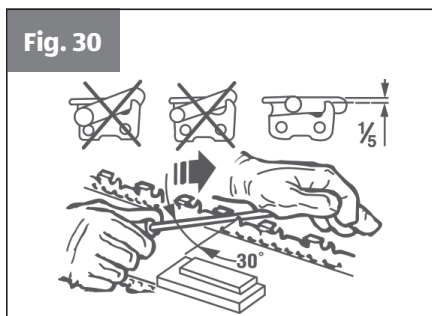


Chain sharpening

Sharpen the chain using protective gloves and a round file of $\varnothing 3/16"$ (4.8 mm). Always sharpen the cutters only with outward strokes (Fig. 30) observing the values given in (Fig. 29). After sharpening, the cutting links must all have the same width and length.

NOTICE!

A sharp chain produces well-defined chips. When your chain starts to produce sawdust, it is time to sharpen.



After the blades have been sharpened 3-4 times, check the height of the depth limiter and if necessary lower it with a flat file and then round off the front corner (Fig. 31).

Chain maintenance (continued)

Chain tension

Check the chain tension frequently and adjust as often as necessary to keep the chain snug on the bar, but loose enough to be pulled around by hand (See page 35).

Breaking in a new saw chain

A new chain and bar will need chain readjustment after as few as 5 cuts. This is normal during the break-in period, and the interval between future adjustments will begin to lengthen quickly.

CAUTION!

Never have more than 3 links removed from a loop of chain. This could cause damage to the sprocket.

Chain lubrication

Always make sure the automatic oiler system is working properly. Keep the oil tank filled with Chain, Bar and Sprocket Oil.

Adequate lubrication of the bar and chain during cutting operations is essential to minimize friction with the guide bar.

Never starve the bar and chain of lubricating oil. Running the saw dry or with too little oil will decrease cutting efficiency, shorten saw chain life, cause rapid dulling of chain, and lead to excessive wear of bar from overheating. Too little oil is evidenced by smoke or bar discoloration.

NOTICE!

Store the equipment in a dry place and far away from possible ignition sources such as an oven, a gas-fired hot water boiler, a gas-fired dryer, etc.

Storage and transport

Transport

To transport the equipment, empty the petrol tank as described in the section maintenance of spark plug 'Storing the equipment' on page 68. Clean coarse dirt off the equipment with a brush or hand brush. Dismantle the steady grip and the long handle as described under the section 'Before starting the equipment' on page 34.

Cleaning

Always switch off the equipment and disconnect the spark plug boot before carrying out any cleaning work.

- The equipment should be cleaned thoroughly every time after it has been used. This applies particularly to the cutting tool and the guard hoods.
- Keep the air vents and the motor housing free of dirt and dust as far as possible. Wipe the equipment with a clean cloth or blow it down with compressed air at low pressure.
- It is easiest to remove sawdust and wood chippings immediately after use.
- Clean the equipment regularly with a damp cloth and some soft soap. Do not use cleaning agents or solvents; these may be aggressive to the plastic parts in the equipment. Ensure that no water can get into the interior of the equipment.

Environmental protection

Dispose of soiled maintenance material and operating materials at the appropriate collection point. Recycle packaging material, metal and plastics.

Ordering replacement parts

Please quote the following data when ordering replacement parts:

- Type of machine (GLPC 41).
- Article number of the machine (45.018.26).
- Identification number of the machine (11025).
- Replacement part number or description of the part required.

For our latest prices and information please go to www.einhell.co.uk

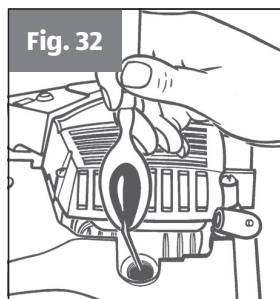
⚠ CAUTION!

Never put the equipment into storage for longer than 30 days without carrying out the following steps.

Storing the equipment

If you intend to store the equipment for longer than 30 days, it must be prepared accordingly. Otherwise the fuel still remaining in the carburettor will evaporate and leave a rubbery sediment. This can cause problems when starting up the equipment and may require expensive repairs.

1. Slowly remove the fuel tank cap to release any pressure that may have formed in the tank. Carefully empty the tank of fuel.
2. To remove the fuel from the carburettor, start the engine and let it run until the equipment stops.
3. Leave the engine to cool (approx. 5 minutes).
4. Remove the spark plug (see 'Spark plug (Fig. 24b)' on page 60). You will need the supplied combined spark plug wrench/screwdriver and a torque wrench.
5. Add one teaspoon of 2-stroke engine oil into the combustion chamber (See Fig. 32).
6. Slowly pull the starter cord several times to apply a layer of oil to all internal parts. Refit the spark plug.



Putting the equipment back into operation

1. Remove the spark plug (see 'Spark plug (Fig. 24b)' on page 60).
2. Quickly tug on the starter line to remove excess oil from the combustion chamber.
3. Clean the spark plug and check that the electrode gap is correct, or insert a new spark plug with the correct electrode gap.
4. Prepare the equipment for operation.
5. Fill the fuel tank with the relevant mixture of fuel and oil. See the section 'Fuel and oil' on page 39.
6. Top up the chain oil in the chain oil tank.

Technical data

Engine displacement	41 cm ³
Maximum engine capacity	1.5 kW
Cutting length	37.5 cm
Cutter rail length	16" (40 cm)
Chain pitch	(3/8"), 9.525 mm
Chain thickness	(0.05"), 1.27 mm
Idling speed	3300 ± 300 rpm
Maximum speed with cutting equipment	11000 rpm
Tank capacity	260 ml
Oil tank capacity	210 ml
Anti-vibration function	Yes
Chain wheel teeth	6 teeth x 9.525 mm
Chain brake	Yes
Clutch	Yes
Automatic chain lubrication	Yes
Low-kickback chain	Yes
Net weight without chain and chain bar	4.5 kg
Net weight (dry)	5.4 kg
Fuel consumption (specific)	702 g / kWh

Sound and vibration

L _{pA} sound pressure level	99 dB(A)
K _{pA} uncertainty	3 dB(A)
L _{WA} sound power level	114 dB(A)
a _{hv} uncertainty	1.5 dB(A)
Vibration a _{hv} (front handle)	max. 6.5 m/s ²
K _{hv} uncertainty a _{hv}	1.5 m/s ²
Vibration a _{hv} (rear handle)	max. 6.0 m/s ²
K _{hv} uncertainty	1.5 m/s ²

 **CAUTION!**

Wear ear defenders. The impact of noise can cause damage to your hearing.

Keep the noise emissions and vibrations to a minimum

- Only use appliances which are in perfect working order.
- Service and clean the appliance regularly.
- Adapt your working style to suit the appliance.
- Do not overload the appliance.
- Have the appliance serviced whenever necessary.
- Switch the appliance off when it is not in use.
- Wear protective gloves.

Key Part Numbers

Chain type	OREGON 91P057X
Bar type	OREGON 160SDEA041
Spark plug	L8RTF

Service information

We have competent service partners within the UK, whose contact details can be found on the www.einhell.co.uk website. These partners can help you with all service requests such as repairs, spare and wearing part orders or the purchase of consumables.



Please note that the following parts of this product are subject to normal or natural wear and that the following parts are therefore also required for use as consumables.

Category	Example
Wear parts*	Cutter bar, spark plug, air filter, petrol filter
Consumables*	Saw chain
Missing parts	

* Not necessarily included in the scope of delivery.

Declaration of conformity

ISC GmbH · Eschenstraße 6 · D-94405 Landau/Isar



Konformitätserklärung

D	erklärt folgende Konformität gemäß EU-Richtlinie und Normen für Artikel	PL	deklaruje zgodność wymienionego poniżej artykułu z następującymi normami na podstawie dyrektywy WE.
GB	explains the following conformity according to EU directives and norms for the following product	BG	декларира съответното съответствие съгласно Директива на ЕС и норми за артикул
F	déclare la conformité suivante selon la directive CE et les normes concernant l'article	LV	paskaidro šādu atbilstību ES direktīvai un standartiem
I	dichiara la seguente conformità secondo la direttiva UE e le norme per l'articolo	LT	apibūdina šį atitikimą EU reikalavimams ir prekės normoms
NL	verklaart de volgende overeenstemming conform EU richtlijn en normen voor het product	RO	declară următoarea conformitate conform directivei UE și normelor pentru articolul
E	declara la siguiente conformidad a tenor de la directiva y normas de la UE para el artículo	GR	δηλώνει την ακόλουθη συμμόρφωση σύμφωνα με την Οδηγία ΕΚ και τα πρότυπα για το προϊόν
P	declara a seguinte conformidade, de acordo com a directiva CE e normas para o artigo	HR	potvrđuje sljedeću usklađenost prema smjernicama EU i normama za artikl
DK	attesterer følgende overensstemmelse i medfør af EU-direktiv samt standarder for artikel	BIH	potvrđuje sljedeću usklađenost prema smjernicama EU i normama za artikl
S	förklarar följande överensstämmelse enl. EU-direktiv och standarder för artikeln	RS	potvrđuje sledeću usklađenost prema smernicama EZ i normama za artikal
FIN	vakuuttaa, että tuote täyttää EU-direktiivin ja standardien vaatimukset	RUS	следующим удостоверяется, что следующие продукты соответствуют директивам и нормам ЕС
EE	tõendab toote vastavust ELi direktiivile ja standarditele	UKR	проголошує про зазначену нижче відповідність виробу директивам та стандартам ЄС на виріб
CZ	vydává následující prohlášení o shodě podle směrnice EU a norem pro výrobek	MK	ja izjavuва slednata soobraznost согласно EU-direktivata i normite za artikli
SLO	potrjuje sledečo skladnost s smernico EU in standardi za izdelek	TR	Ürünü ile ilgili AB direktifleri ve normları gereğince aşağıda açıklanan uygunluğu belirtir
SK	vydává nasledujúce prehlásenie o zhode podľa smernice EU a noriem pre výrobok	N	erklærer følgende samsvar i henhold til EU-direktivet og standarder for artikkel
H	a cikkehez az EU-irányvonal és Normák szerint a következő konformitást jelenti ki	IS	Lýsir uppfyllingu EU-reglna og annarra staðla vöru

41cc Petrol Chainsaw GLPC 41 (Gardenline)

<input type="checkbox"/> 87/404/EC_2009/105/EC	<input checked="" type="checkbox"/> 2006/42/EC
<input type="checkbox"/> 2005/32/EC_2009/125/EC	<input checked="" type="checkbox"/> Annex IV
<input type="checkbox"/> 2006/95/EC	Notified Body: Intertek Deutschland GmbH, Stangenstraße 1, 70771 Leinfelden-Echterdingen
<input type="checkbox"/> 2006/28/EC	Notified Body No.: 0905
<input checked="" type="checkbox"/> 2004/108/EC	Reg. No.: 14SHW1735-01
<input type="checkbox"/> 2004/22/EC	<input checked="" type="checkbox"/> 2000/14/EC_2005/88/EC
<input type="checkbox"/> 1999/5/EC	<input checked="" type="checkbox"/> Annex V
<input type="checkbox"/> 97/23/EC	<input type="checkbox"/> Annex VI
<input type="checkbox"/> 90/396/EC_2009/142/EC	Noise: measured $L_{WA} = 109,6$ dB (A); guaranteed $L_{WA} = 114$ dB (A)
<input type="checkbox"/> 89/686/EC_96/58/EC	P = 1,5 KW; L/O = cm
<input type="checkbox"/> 2011/65/EC	Notified Body:
	<input checked="" type="checkbox"/> 2004/26/EC
	Emission No.: e11*97/68SA*2012/46*2698*01

Standard references: EN ISO 11681-1; EN ISO 14982

Landau/Isar, den 19.10.2015

Weichselgartner/General-Manager

Yong/Product-Management

First CE: 14
Art.-No.: 45.018.26 I.-No.: 11025
Subject to change without notice

Archive-File/Record: NAPR013004
Documents registrar: Daniel Protschka
Wiesenweg 22, D-94405 Landau/Isar

Warranty

How do I claim for a warranty matter?	<ol style="list-style-type: none">1. Fill in the Warranty card and send to the Einhell UK Ltd Address.2. Contact Einhell UK Ltd, using one of the Telephone numbers for AFTER SALES SUPPORT.3. Or contact via the Einhell UK Ltd website.
How do I obtain spare parts (not covered by the warranty)?	<p>Make sure you have the information from the product data label, or page 67 of this manual, and then: -</p> <ol style="list-style-type: none">1. Contact Einhell UK Ltd, using one of the Telephone numbers for AFTER SALES SUPPORT, and choose the option for Spare Parts.2. Or contact via the Einhell UK Ltd website, where spares information & prices are available.



WARRANTY CARD



41CC PETROL CHAINSAW

Your details:

Name _____

Address _____

_____ Email: _____

Date of purchase* _____

*We recommend you keep the receipt with this warranty card

Location of purchase _____

Description of malfunction:

If after contacting the manufacturer you are requested to return the faulty product please return the completed warranty card together with it.

Einhell UK Ltd
Unit 9, Stadium Court
Wirral International Business Park
Plantation Road
Bromborough
CH62 3QG

AFTER SALES SUPPORT

0151 649 1500 1890 946244

www.einhell.co.uk

MODEL: **GLPC 41** PRODUCT CODE: **64055 04.2016**

Aftersales support available:
Monday - Thursday: 8:45am - 5pm
Friday: 8:45am - 3pm

Please add the Ser.-Nr. in the box below:



You will find the 7 character Ser.-Nr. here →

3
YEARS
WARRANTY



Warranty conditions

Dear Customer,

The **Aldi warranty** offers you extensive benefits in addition to your statutory rights:

Warranty period: 3 years from date of purchase.

Costs: Free repair/exchange.
No transport costs.

Hotline: 0151 649 1500

ADVICE: Please contact our service hotline by phone or email. This allows us to provide support in the event of possible operator errors.

In order to make a claim under the warranty, please send us:

- A copy of the original purchase receipt and the completed warranty card.

The warranty does not cover damage caused by:

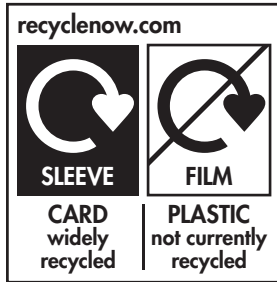
- **Accident** or **unanticipated events** (e.g. lightning, water, fire).
- **Improper use** or **transport**.
- **Disregard of the safety** and **maintenance instructions**.
- Other **improper treatment** or **modification**.

After the expiry of the warranty period, you still have the possibility to have your product repaired at your own expense. If the repair or the estimate of costs is not free of charge you will be informed accordingly in advance.

This warranty does not affect your statutory rights. The period of the warranty can only be extended in accordance with a legal standard. In countries where a (compulsory) warranty and/or spare part storage and/or a system for compensation are/is required by law, the statutory minimum conditions apply. In the event that a product is received for repair, neither the service company nor the seller will assume any liability for data or settings possibly stored on the product by the customer.

Recycling

The unit is supplied in packaging to prevent it being damaged in transit. This packaging is raw material and can therefore be reused or can be returned to the raw material stream.



The packaging material is partly recyclable. Dispose of the packaging in an environmentally friendly way adding to your recyclable waste bin, or by taking it to a public collection centre.

The unit and its accessories are made of various types of material, such as metal and plastic. Defective components must be disposed of as special waste. Ask your dealer or your local council.

