



# 163cc Petrol Tiller

## Quick Start Guide

Your Safety is most important please read these safety rules before you use this machine



**AFTER SALES SUPPORT**

---

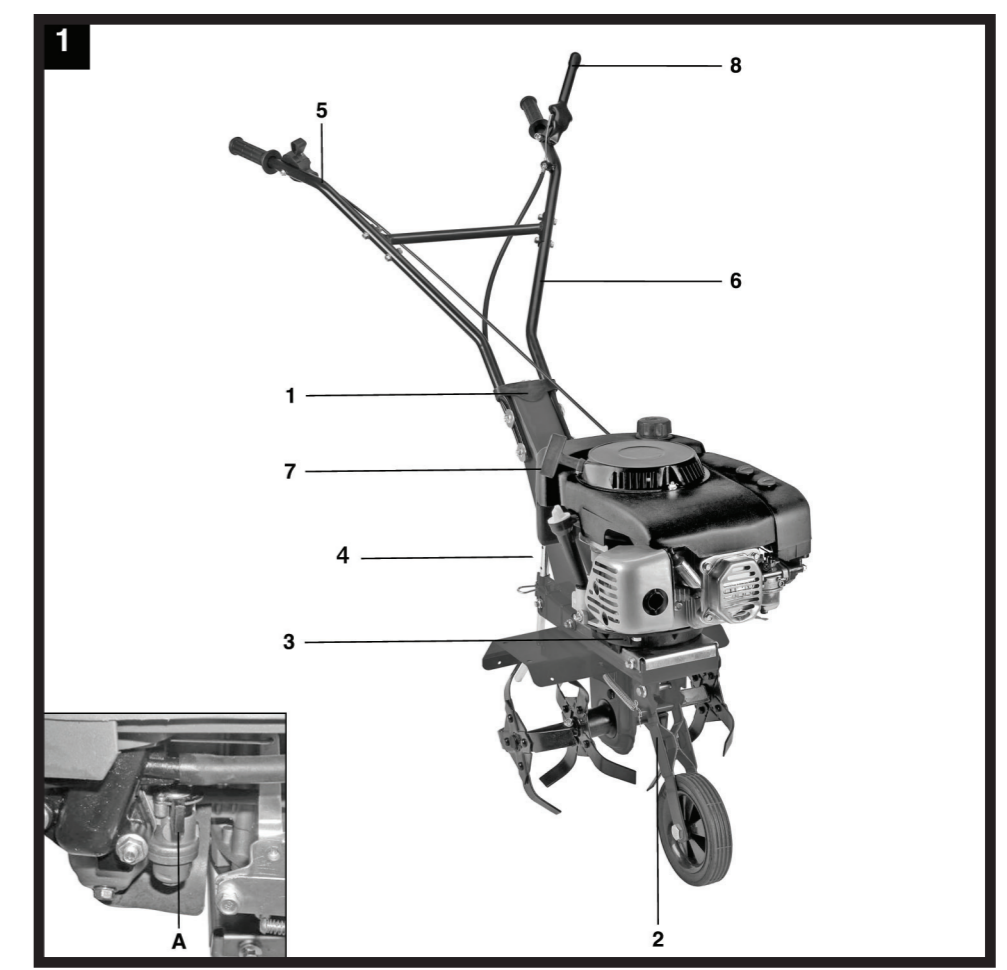
UK / IRELAND HELPLINE NO 0151 6491500  
 REP. IRELAND HELPLINE NO 1890 946244  
 WEB SUPPORT [www.einhell-uk.co.uk](http://www.einhell-uk.co.uk)

---

**MODEL NUMBER: HQ-MT 3336**  
**HOMEBASE ARTICLE NUMBER: 318775**

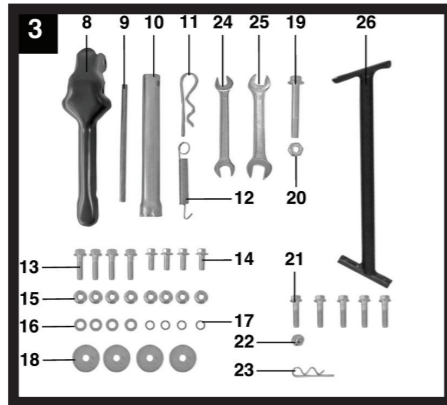
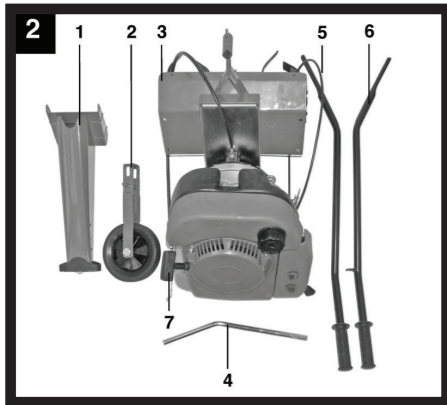
### General Safety Rules

- Read user manual before using the machine
- Wear safety goggles and heating protection
- Wear gloves to protect your hands
- Wear safety shoes to protect your feet



Note - This quick start guide is intended for experienced users who have already assembled the tool, please refer to the manual for further details

# QUALCAST



**Do you have questions?**

We can help...  
**call Customer Service**  
**Mon-Thur 8:45am-5:00pm**  
**Friday 8:45am-3:15pm**

**0151 649 1500**  
**Spare Parts also available**

## ALWAYS READ THE SAFETY WARNINGS PRIOR TO USE

Assembling the Tiller (If in doubt, ALWAYS refer to the user guide before continuing):

### 1 Unpack the Tiller

- Open the carton carefully and remove all the parts.
- Ensure you have all the items (see above) before you discard the packaging.

### Assembly Instructions

- Insert the transport wheel holder in the mount on the engine unit and fasten with the help of the screw (19) and the nut (20). (See Fig. 5 and 6).
- Fit the resetting spring (12) between the engine unit and the transport wheel holder and insert the safety split pin (23) in the bolt hole provided on the transport wheel to secure the spring and ensure that it cannot slip off (Fig. 7-8).
- Insert the depth stop into the opening at the back of the gear unit and fasten it with the safety split pin (11) at the middle position working height (Fig. 9-10).
- Stand the power cultivator upright and feed the Bowden wire for the clutch through the lower opening in the holder for the steering handles (Fig. 11).
- Fit the holder for the steering handles (1) to the engine unit (3) and fasten with the screws (14), spring washers (17) and the washers (16) as shown in Fig. 12-14.
- Fit the steering handles to the holder (6) on the left hand side and (5) on the right hand side and fasten with the screws (13), large M6 washers (18) and nuts (15) as shown in Fig. 15-16.
- Feed the clutch cable through the holder for the steering handles and fasten the Bowden wire adjuster to the eyelet on the left steering handle (6) by unscrewing the upper lock nut and inserting the thread on the adjuster through the eyelet. Then attach the Bowden wire to the clutch lever (see fig. 17) before fitting the clutch lever to the left-hand steering handle and fasten the clutch lever to the steering handle with the screw (21) and the domed nut (22) (see Fig. 18 / Fig. 18b).
- Set the cable to the right length with the help of the adjuster (see Fig. 17/A) to ensure that when the clutch lever is pressed there must be sufficient tension in the V-belt for the star-type tiller blades, whereas when the clutch lever is released the star-type tiller blades must not move. Then tighten the two nuts against each other. Ensure that the Clutch Handle Lock functions correctly, before starting the engine. You should not be able to operate the clutch handle, until the Clutch Handle Lock is in the correct position. (Fig 18a = stopped. Fig. 18b = Blades will rotate).

- Fit the throttle lever with cable, to the right-hand steering handle (5) (Fig. 19).
- Fit the cross strut (26) using the screws (21) and nuts (15) as shown in Figure 19a.12

### 2 Operating the Tiller

- Important!** You must fill up with engine oil and fuel before you can start the engine. Check the oil level (Fig. 24-25).
- Set the depth stop (4) to the desired depth and secure it with the split pin. Then swing the transport wheel up and make sure that the bolt is engaged in the notch in the mount at the front.
- Fill the fuel tank with approx. 2.2 litres of petrol (when empty), using a funnel and measuring jug to do so. Ensure that the petrol is free of any contaminants.
- Push the petrol fuel tap (Fig. 1/Item A) to the "ON" position. (Push the lever towards the engine).
- Push the starter lever down to the "Choke" position (Fig. 19/Item A).
- Pull the start cable (7) gently until you feel resistance, then pull vigorously. If the engine does not start up immediately, repeat the above steps.
- When the engine is started, move the starter lever to the position in the middle (Fig. 19/Item B) = working position (Engine speed: fast (🐌) / slow (🐢)).
- If necessary, adjust the steering handles to suit your height by, loosening the screws (Fig. 14/Item A), adjusting the bracket and retightening the screws.
- To STOP the engine, move the starter lever to the stop position ('0'). (Fig. 19/Item C).
- If the engine is to be stopped for some time, then also pull the fuel tap lever to the 'OFF' position (Lever pointing away from the engine). (Fig. 1/Item A).
- To start the star-type tiller blades, rotate the clutch handle lock (27) counterclockwise and press the clutch handle (8) down and hold in this position (See Fig. 18 / Fig. 18b). Releasing the clutch handle brings the star type tiller blades to a stop (if they do not stop, readjust the clutch cable).

