



The A-FS 1800 UG tile cutter is a portable device for cutting small and medium-sized wall and floor tiles. Within a few seconds the machine can be set for mitre cuts, double mitre cuts and jolly cuts. **The integrated cooling pump protects the diamond cutting disc and ensures a dust-free work environment.**



## A-FS 1800 UG Radial Tile Cutting Machine

Available as special accessory:

Diamond disc:  
Ø 180 x Ø 25.4 mm

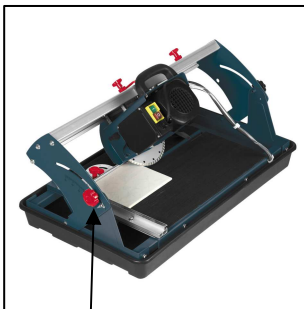
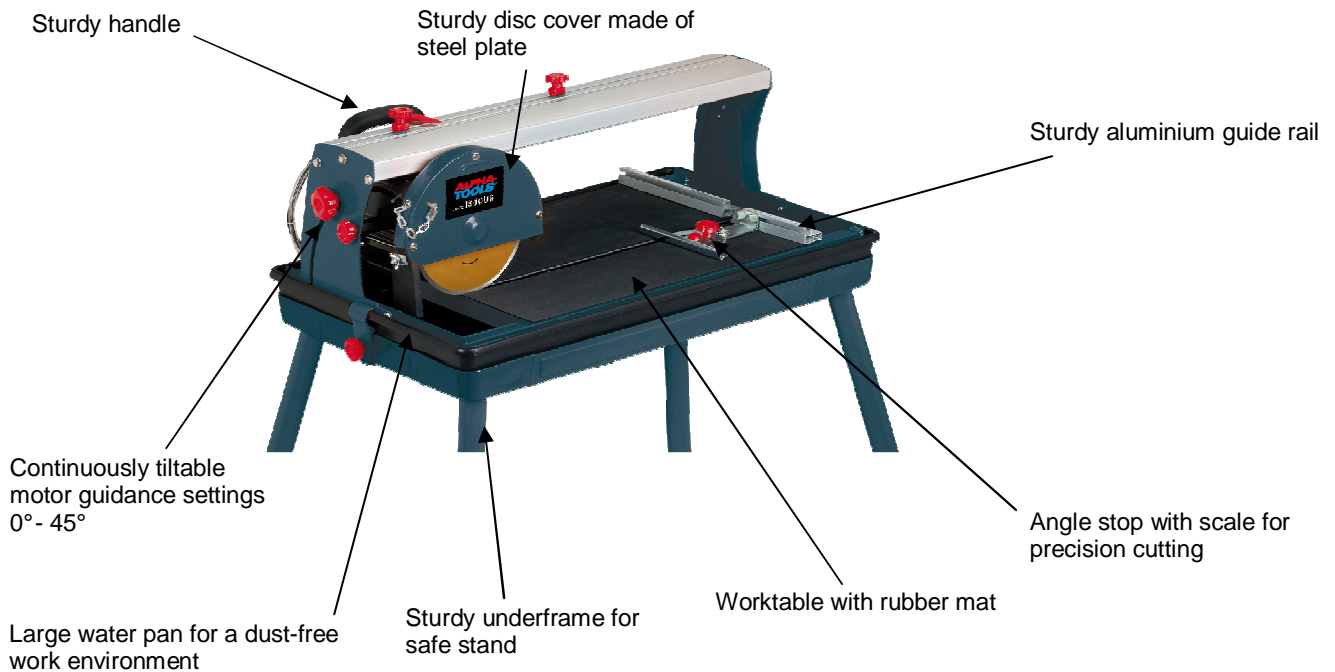
Art. No.: 43.011.76  
Ident. No.: 01014  
Bar Code: 4006825 505481



### Logistic information:

Type:	A-FS 1800 UG	Sales unit:	1 pc
Art. No.:	43.012.61	20°:	250 pcs
Ident. No.:	01016	40°:	520 pcs
Bar Code:	4006825 534030	40° HC:	-- pcs
Packing:	775 x 485 x 335 mm	Weight:	28,0 kgs (gross)





Continuously tiltable motor guidance settings 0° - 45°



Angle Stopp with scale for precision cutting



Large water pan with integrated water pump



RCD-plug for machine safety

## Features:

- RCD-Plug
- Motor guidance with four ball bearings
- Continuously tiltable motor guidance settings 0° - 45°
- Sturdy aluminium guide rail
- Sturdy disc cover made of steel plate
- Angle stop with scale for precision cutting
- Worktable with rubber mat
- Large water pan for a dust-free work environment
- Integrated cooling pump
- Sturdy handle
- Sturdy underframe for safe stand

## Technical Data:

- |                                      |                         |
|--------------------------------------|-------------------------|
| - A.c. motor:                        | 230 V ~ 50 Hz           |
| - Power:                             | 600 watts               |
| - Idle speed n <sub>0</sub> :        | 3,000 min <sup>-1</sup> |
| - Cutting depth max.:                | 90°-25mm / 45°-17 mm    |
| - Cutting length at 15 mm thickness: | 360 mm                  |
| - Cutting length max.:               | 430 mm                  |
| - Mitre cut:                         | 0° - 45°                |
| - Size of diamond disc:              | Ø 180 x Ø 25.4 mm       |
| - Insulation class:                  | IP 54                   |
| - Working table:                     | 500 x 385 mm            |

## Logistic information:

<b>Type:</b>	<b>A-FS 1800 UG</b>	<b>Tool:</b>	<b>Radial Tile Cutting Machine</b>
<b>Art. No.:</b>	43.012.61	<b>Sales unit:</b>	1 pc
<b>Ident. No.:</b>	01016	<b>20`:</b>	250 pcs
<b>Bar Code:</b>	4006825 534030	<b>40`:</b>	520 pcs
<b>Packing:</b>	775 x 485 x 335 mm	<b>40` HC:</b>	-- pcs
		<b>Weight:</b>	28,0 kgs (gross)

