



User Manual

FERREX® TABLE SAW F-TS 2000-1



Original instructions

Great care has gone into the manufacture of this product and it should therefore provide you with years of good service when used properly. In the event of product failure within its intended use over the course of the first 3 years after date of purchase, we will remedy the problem as quickly as possible once it has been brought to our attention. In the unlikely event of such an occurrence, or if you require any information about the product, please contact us via our helpline support services, details of which are to be found both in this manual and on the product itself.



PRODUCED IN CHINA FOR:

ALDI STORES LTD. PO BOX 26, ATHERSTONE
WARWICKSHIRE, CV9 2SH.

ALDI STORES (IRELAND) LTD.
PO BOX 726, NAAS, CO. KILDARE.
Visit us at www.aldi.com

AFTER SALES SUPPORT 802593

☎ GB 0151 649 1500 IE 01890 946 244

💻 www.einhell.co.uk

MODEL: F-TS 2000-1 10/2020

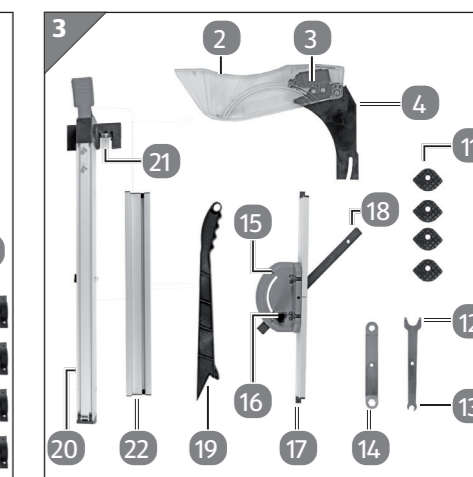
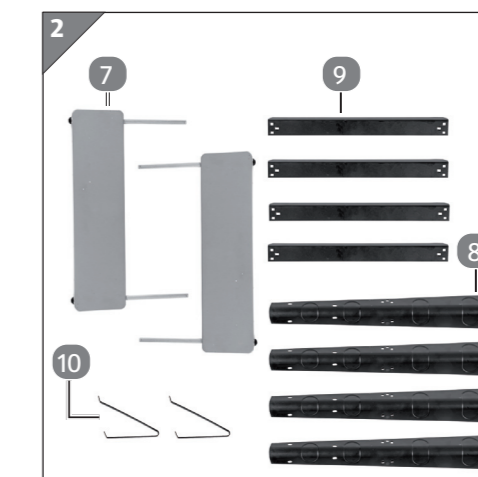
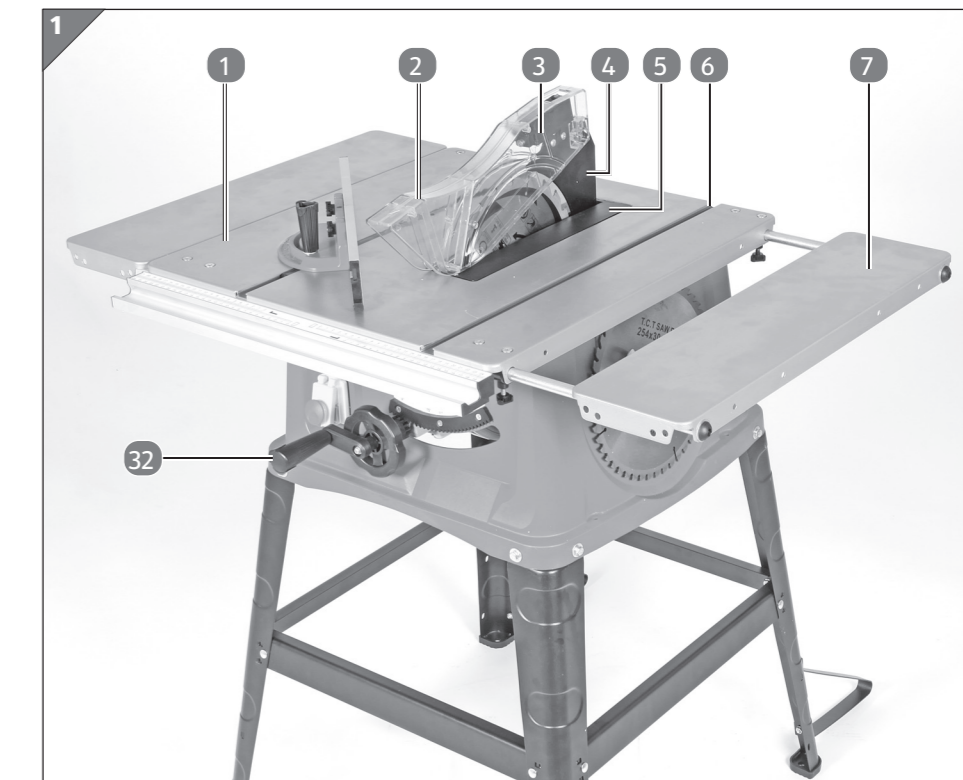
3
YEAR
WARRANTY

EH 06/2020 (01)

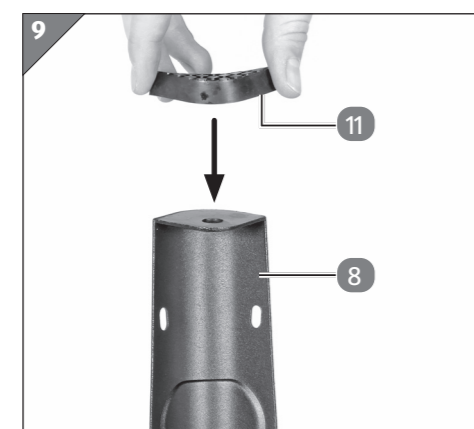
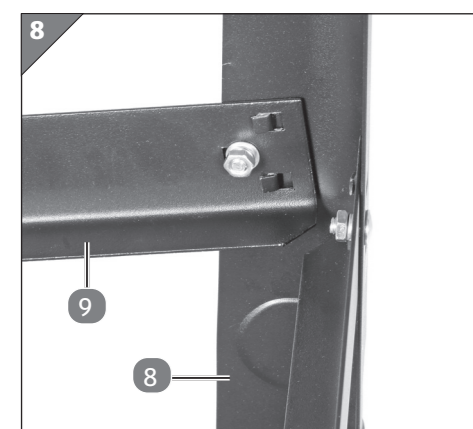
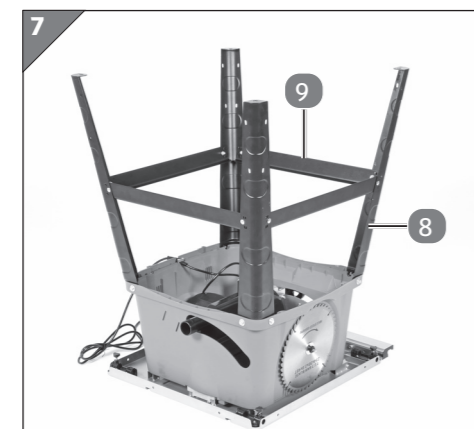
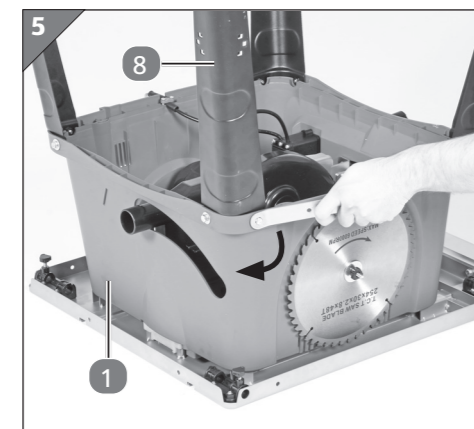
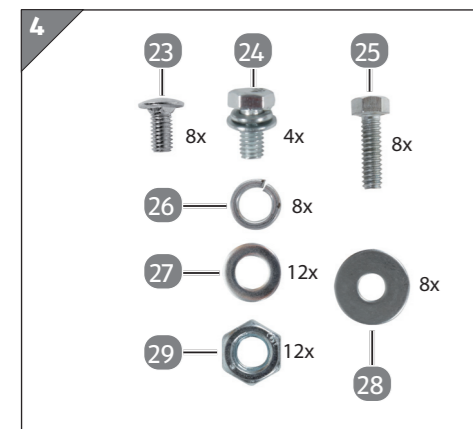
Contents

- Package contents** 3
- General information** 11
 - Reading and storing the user manual 11
 - Explanation of symbols 11
- Safety** 13
 - Intended use 13
 - Residual hazards 13
 - Important information about the power connection 14
 - General safety information 14
 - Warranty 14
 - Safety information 15
 - Safety information on the batteries 16
 - Special safety information for table saws 20
 - Safety information for sawing 21
- Using for the first time** 29
 - Checking the table saw and items supplied 29
 - Assembling the table saw 30
- Operation** 33
- Cleaning and maintenance** 44
 - Cleaning the table saw 45
 - Carbon brushes 46
 - Maintenance 46
 - Replacing the power cable 47
 - Inspecting the table saw 47
- Transport** 48
- Storage** 48
- Spare parts and accessories** 49
- Technical data** 49
- Noise/vibration information** 50
- Disposal** 52
 - Disposing of the packaging 52
 - Disposing of the table saw 52
- Troubleshooting guide** 53
- Declaration of conformity** 54

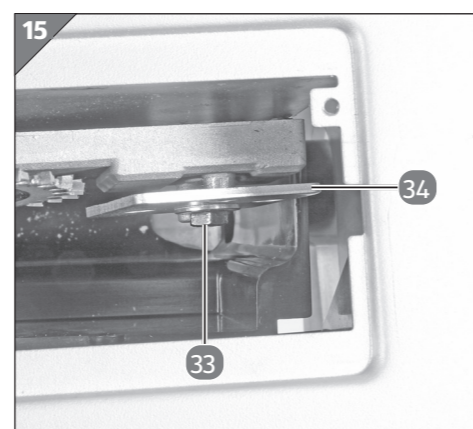
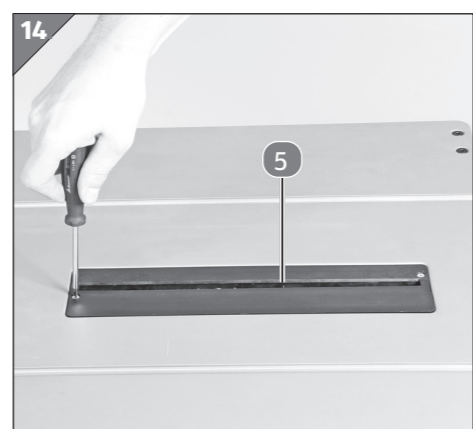
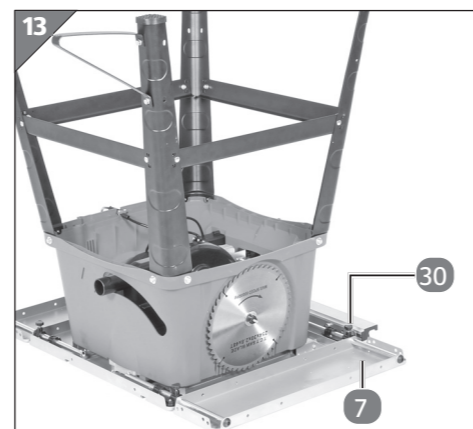
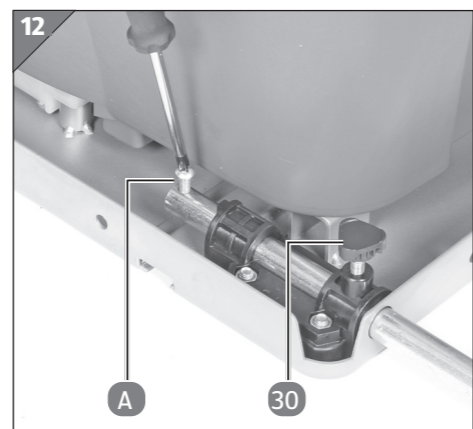
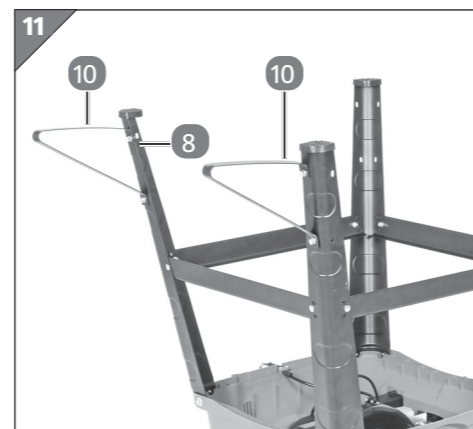
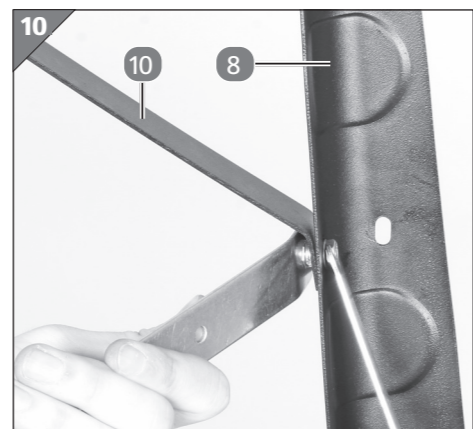
Package contents



Package contents



Package contents



Package contents

