

Original Operating Instructions
Cordless Screwdriver

Einhell[®]

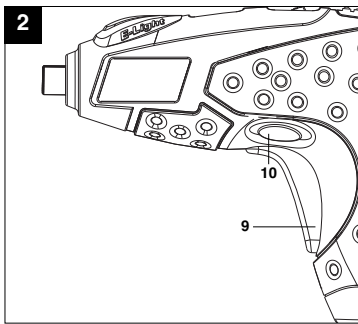
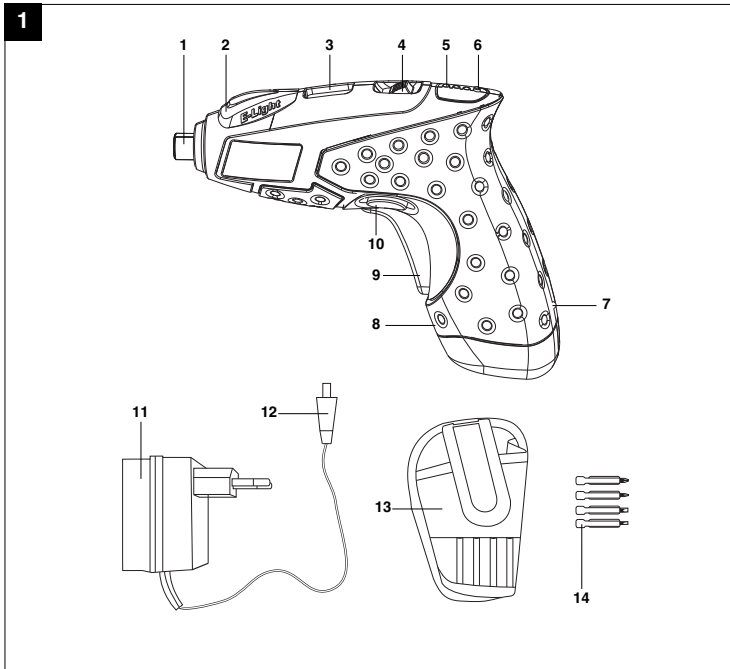
7

Art.-Nr.: 45.132.82

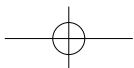
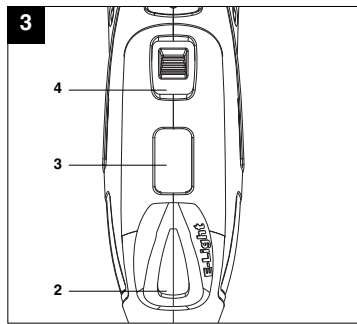
I.-Nr.: 01019

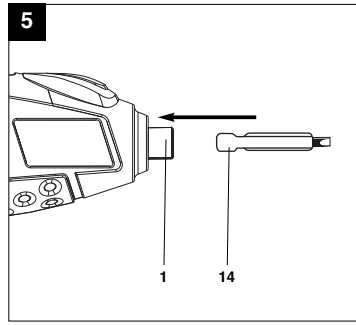
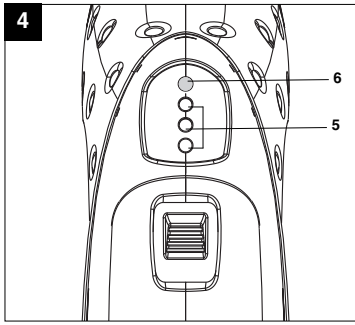
RT-SD **3,6 Li**





2





GB



"Caution - Read the operating instructions to reduce the risk of injury"



Wear ear-muffs.
The impact of noise can cause damage to hearing.



Wear safety goggles.
Sparks generated during working or splinters, chips and dust emitted by the device can cause loss of sight.

⚠ Important!

When using equipment, a few safety precautions must be observed to avoid injuries and damage. Please read the complete operating manual with due care. Keep this manual in a safe place, so that the information is available at all times. If you give the equipment to any other person, give them these operating instructions as well.
We accept no liability for damage or accidents which arise due to non-observance of these instructions and the safety information.

1. Safety information

Please refer to the booklet included in delivery for the safety instructions.

⚠ CAUTION!

Read all safety regulations and instructions.

Any errors made in following the safety regulations and instructions may result in an electric shock, fire and/or serious injury.

Keep all safety regulations and instructions in a safe place for future use.

2. Layout (Fig. 1)

1. Bit chuck
2. Lamp
3. Magnetic screw holder
4. ON/OFF switch for lamp
5. Battery capacity indicator
6. Switch for battery capacity indicator
7. Charging control lamp
8. Charging connection
9. On/Off switch
10. Clockwise/Counter-clockwise selector switch
11. Battery charger
12. Charging cable
13. Bag
14. 4 Bits

3. Proper use

The cordless screwdriver is designed for tightening and undoing screws.

The machine is to be used only for its prescribed purpose. Any other use is deemed to be a case of misuse. The user / operator and not the manufacturer will be liable for any damage or injuries of any kind caused as a result of this.

Please note that our equipment has not been designed for use in commercial, trade or industrial applications. Our warranty will be voided if the machine is used in commercial, trade or industrial businesses or for equivalent purposes.

4. Technical data

Motor power supply:	3.6 V DC
Idling speed:	200 min ⁻¹
Clockwise/Counter-clockwise:	Yes
Charge voltage for rechargeable battery:	6 V DC
Charge current for rechargeable battery:	300 mA
Battery charger supply voltage:	230 V ~ 50 Hz
Charging time:	max. 5 hours
Battery type:	Li-Ion
Weight:	0.4 kg

Sound and vibration

Sound and vibration values were measured in accordance with EN 60745.

L_{pA} sound pressure level	62 dB(A)
K_{pA} uncertainty	3 dB
L_{WA} sound power level	73 dB(A)
K_{WA} uncertainty	3 dB

Wear ear-muffs.

The impact of noise can cause damage to hearing.

Total vibration values (vector sum of three directions) determined in accordance with EN 60745.

Screwing without hammer action

Vibration emission value $a_h \leq 2,5 \text{ m/s}^2$

K uncertainty = $1,5 \text{ m/s}^2$

⚠ Important!

The vibration value changes according to the area of application of the electric tool and may exceed the specified value in exceptional circumstances.

Keep the noise emissions and vibrations to a minimum.

- Only use appliances which are in perfect working order.
- Service and clean the appliance regularly.
- Adapt your working style to suit the appliance.

GB

- Do not overload the appliance.
- Have the appliance serviced whenever necessary.
- Switch the appliance off when it is not in use.
- Wear protective gloves.

5. Before starting the equipment

Be sure to read the following information before you use your cordless screwdriver for the first time:

1. Charge the battery pack with the charger supplied.
2. Only ever use screwdriver bits which are suitable for the purpose and in faultless condition.
3. Always check for concealed electric cables and gas and water pipes when drilling and screwing in walls.

6. Operation

6.1 Charging the battery (Fig. 1)

The battery is protected from exhaustive discharge. An integrated protective circuit automatically switches off the equipment when the battery is flat. In this case the bit chuck will cease to turn.

Warning! Do not press the ON/OFF switch any more if the protective circuit has actuated. This may damage the battery.

1. Check that your mains voltage is the same as that marked on the rating plate of the battery charger. Plug the battery charger in the plug socket and connect the charging cable to the charging connection. The charging process starts as soon as the charging cable is connected to the charging adapter.
2. The red LED (7) will come on to indicate that the battery pack is being charged.
3. The charging control lamp (7) goes out when charging is completed.

Important! The handle may become a little warm during the charging process. This is normal.

If the battery pack fails to charge, please check

- whether there is voltage at the socket-outlet
- and check for proper contact with the charging contacts in the battery charger.

If the battery still fails to charge, send

- the battery charger
- and the screwdriver

to our customer services department.

Timely recharging of the battery pack will help it serve you well for a long time. You must recharge

6

the battery pack when you notice that the power of the screwdriver drops.

Never allow the battery pack to become fully discharged. This will cause it to develop a defect.

6.2 Changeover switch (Fig. 2/Item 10)

The slide switch above the ON/OFF switch is for setting the direction of rotation of the cordless screwdriver and for preventing the cordless screwdriver from being switched on inadvertently. You can select between clockwise and counter-clockwise rotation. Change the direction of rotation only when the equipment is at a standstill. If you fail to observe this point, the gearing may become damaged. When the slide switch is in the middle position, the ON/OFF switch is blocked.

6.3 ON/OFF switch (Fig. 2 / Item 9)

Press the On/Off switch to switch the cordless screwdriver on. Release the ON/OFF switch to switch off the tool.

6.4 LED lamp (Fig. 3/Item 2)

The LED lamp (2) can be used in poor lighting conditions to illuminate the area where you want to screw.

To switch on, push the switch (4) forwards; to switch off, pull the switch back again.

6.5 Magnetic screw holder (Fig. 3/Item 3)

Screws can be placed on the magnetic screw holder for easy reach during operation.

6.6 Battery capacity indicator (Fig. 4/Item 5)

Press the button for the battery capacity indicator (6). The battery capacity indicator (5) indicates the charge state of the battery on 3 colored LEDs.

All LEDs illuminate:

The battery is fully charged.

The yellow and red LED illuminate:

The battery has an adequate remaining charge.

Red LED:

The battery is empty, recharge the battery.

6.7 Changing the tool (Fig. 5)

Important! Set the changeover switch to its centre position whenever you carry out any work (for example changing the tool, maintenance work, etc.) on the cordless screwdriver.

Insert the bit (14) into the bit chuck (1).

To remove the bit (14), pull it back out of the bit chuck (1).



6.8 Screwdriving

We recommend using self-centering screws (e.g. Torx screws, recessed head screws) designed for reliable working. Be sure to use a bit that matches the screw in shape and size. Set the torque, as described elsewhere in these operating instructions, to suit the size of screw.

7. Cleaning, maintenance and ordering of spare parts

Always pull out the mains power plug before starting any cleaning work.

7.1 Cleaning

- Keep all safety devices, air vents and the motor housing free of dirt and dust as far as possible. Wipe the equipment with a clean cloth or blow it with compressed air at low pressure.
- We recommend that you clean the device immediately each time you have finished using it.
- Clean the equipment regularly with a moist cloth and some soft soap. Do not use cleaning agents or solvents; these could attack the plastic parts of the equipment. Ensure that no water can seep into the device.

7.2 Maintenance

There are no parts inside the equipment which require additional maintenance.

7.3 Ordering replacement parts

Please quote the following data when ordering replacement parts:

- Type of machine
- Article number of the machine
- Identification number of the machine
- Replacement part number of the part required

For our latest prices and information please go to www.isc-gmbh.info

8. Disposal and recycling

The unit is supplied in packaging to prevent its being damaged in transit. This packaging is raw material and can therefore be reused or can be returned to the raw material system.

The unit and its accessories are made of various types of material, such as metal and plastic. Defective components must be disposed of as special waste. Ask your dealer or your local council.

©
Technical changes subject to change

The reprinting or reproduction by any other means, in whole or in part, of documentation and papers accompanying products is permitted only with the express consent of ISC GmbH.

GUARANTEE CERTIFICATE

Dear Customer,

All of our products undergo strict quality checks to ensure that they reach you in perfect condition. In the unlikely event that your device develops a fault, please contact our service department at the address shown on this guarantee card. Of course, if you would prefer to call us then we are also happy to offer our assistance under the service number printed below. Please note the following terms under which guarantee claims can be made:

1. These guarantee terms cover additional guarantee rights and do not affect your statutory warranty rights. We do not charge you for this guarantee.
2. Our guarantee only covers problems caused by material or manufacturing defects, and it is restricted to the rectification of these defects or replacement of the device. Please note that our devices have not been designed for use in commercial, trade or industrial applications. Consequently, the guarantee is invalidated if the equipment is used in commercial, trade or industrial applications or for other equivalent activities. The following are also excluded from our guarantee: compensation for transport damage, damage caused by failure to comply with the installation/assembly instructions or damage caused by unprofessional installation, failure to comply with the operating instructions (e.g. connection to the wrong mains voltage or current type), misuse or inappropriate use (such as overloading of the device or use of non-approved tools or accessories), failure to comply with the maintenance and safety regulations, ingress of foreign bodies into the device (e.g. sand, stones or dust), effects of force or external influences (e.g. damage caused by the device being dropped) and normal wear resulting from proper operation of the device. This applies in particular to rechargeable batteries for which we nevertheless issue a guarantee period of 12 months.

The guarantee is rendered null and void if any attempt is made to tamper with the device.
3. The guarantee for the rechargeable battery is valid for a period of 1 year, and the guarantee for the tool itself is valid for a period of 2 years starting from the purchase date of the device. Guarantee claims should be submitted before the end of the guarantee period within two weeks of the defect being noticed. No guarantee claims will be accepted after the end of the guarantee period. The original guarantee period remains applicable to the device even if repairs are carried out or parts are replaced. In such cases, the work performed or parts fitted will not result in an extension of the guarantee period, and no new guarantee will become active for the work performed or parts fitted. This also applies when an on-site service is used.
4. In order to assert your guarantee claim, please send your defective device postage-free to the address shown below. Please enclose either the original or a copy of your sales receipt or another dated proof of purchase. Please keep your sales receipt in a safe place, as it is your proof of purchase. It would help us if you could describe the nature of the problem in as much detail as possible. If the defect is covered by our guarantee then your device will either be repaired immediately and returned to you, or we will send you a new device.

Of course, we are also happy offer a chargeable repair service for any defects which are not covered by the scope of this guarantee or for units which are no longer covered. To take advantage of this service, please send the device to our service address.

Poweron Imports Limited
17 Lorien Place
East Tamaki
Manukau City 2161
Auckland
Telephone (09) 2746950