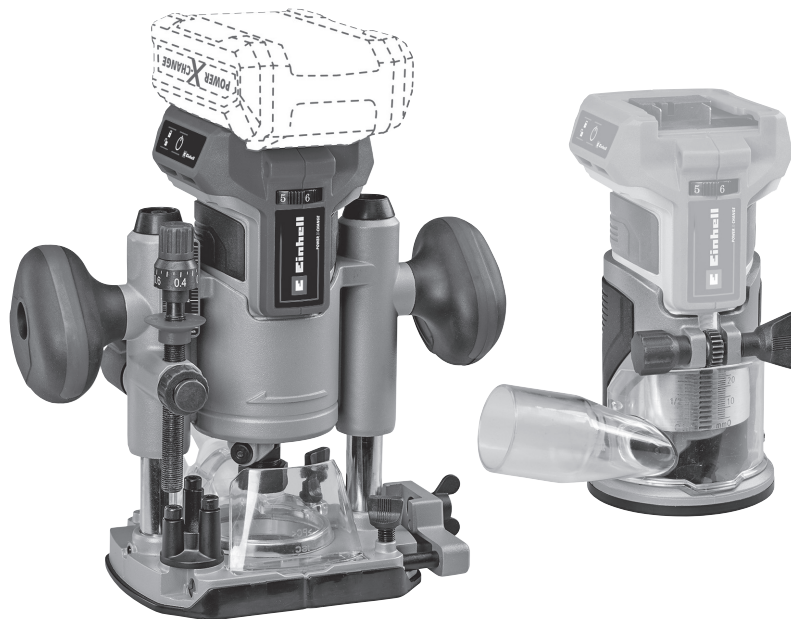
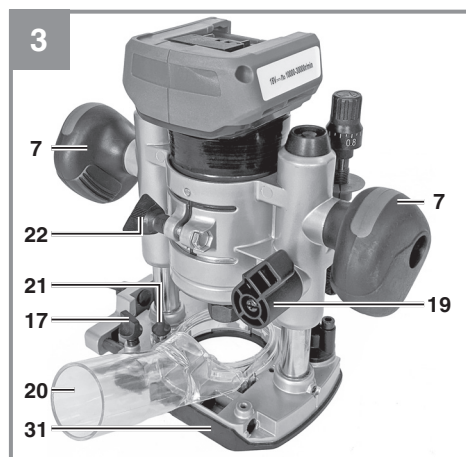
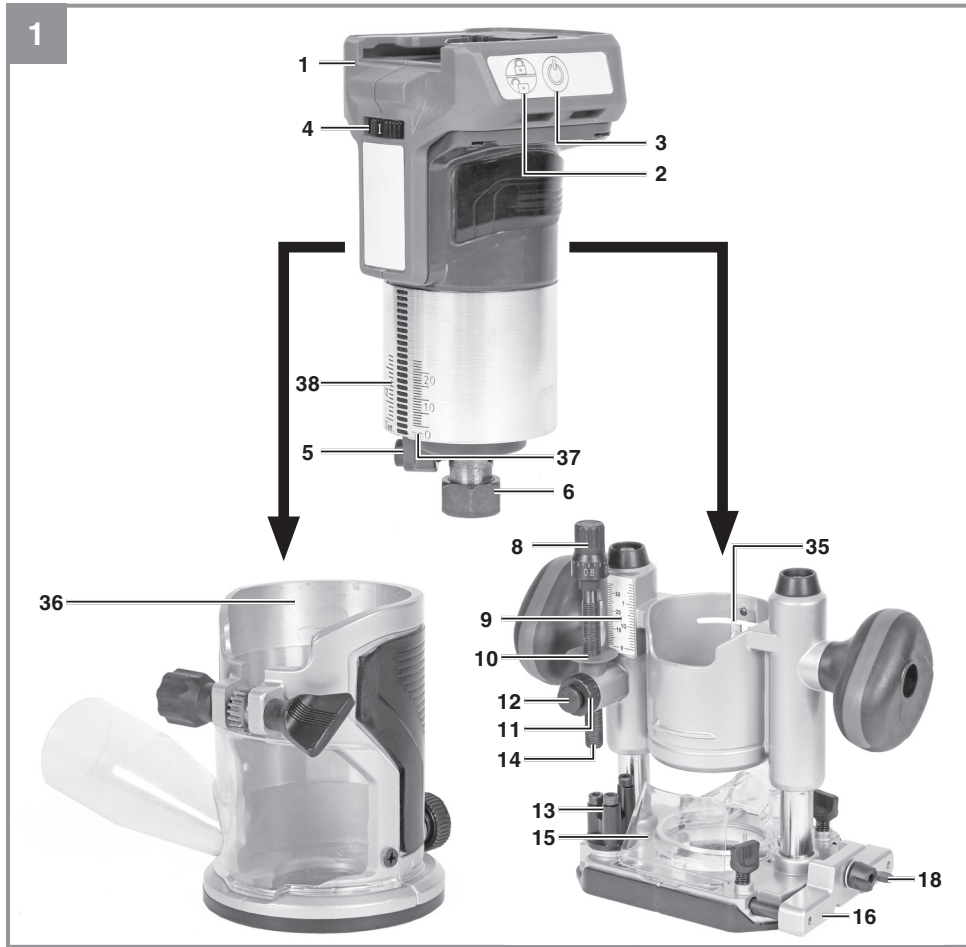


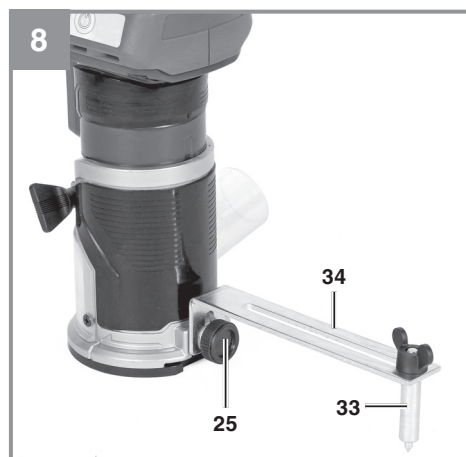
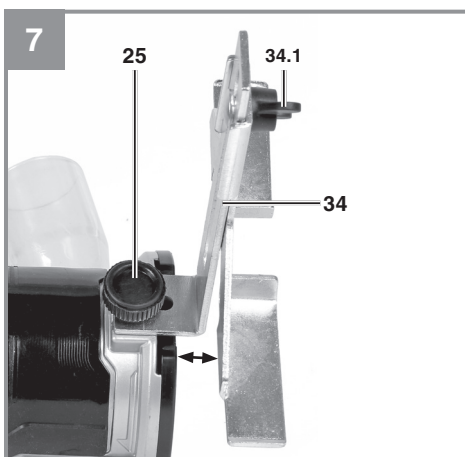
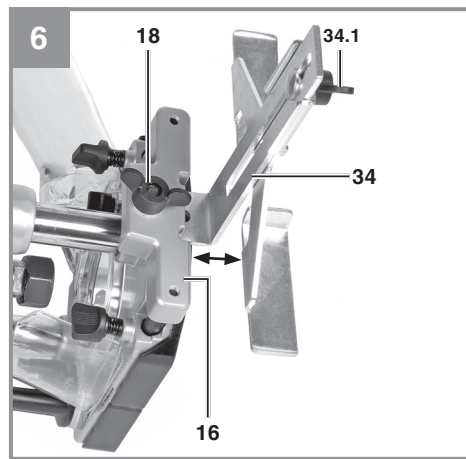
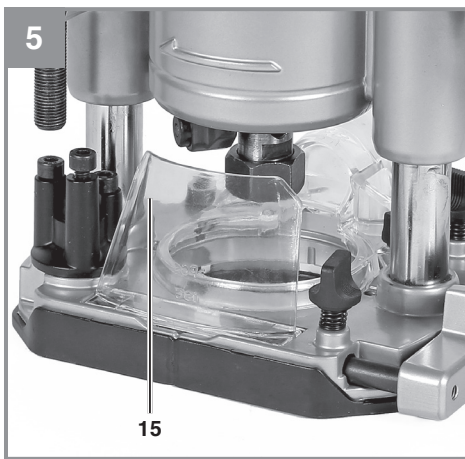
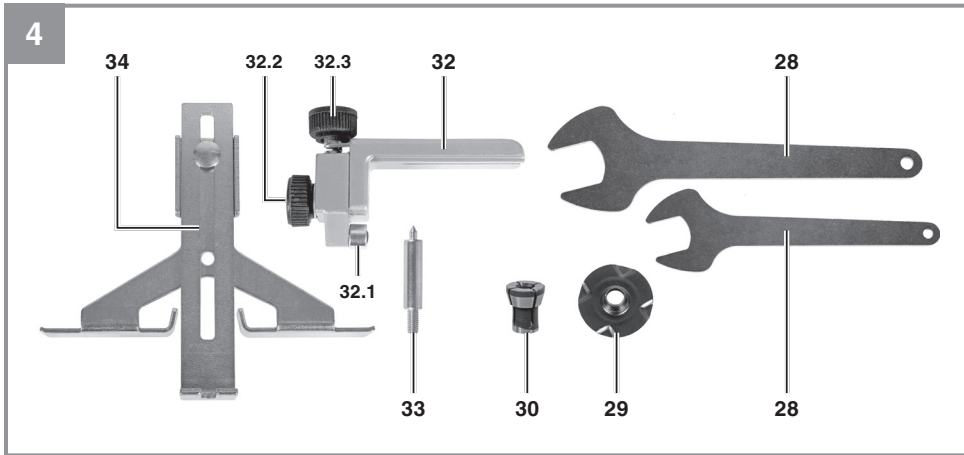
- EN** Operating instructions
Cordless Router
- FR** Mode d'emploi
Toupie sans fil
- SP** Manual de instrucciones
Fresadora vertical y de cantos
inalámbrica

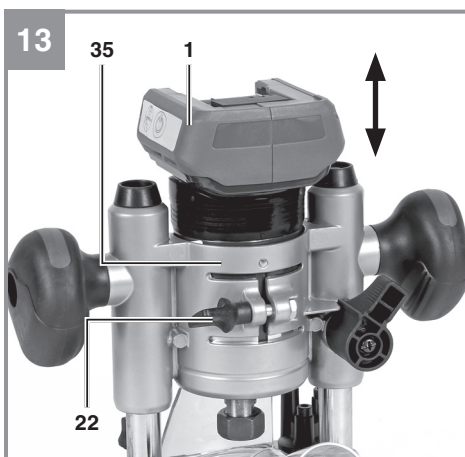
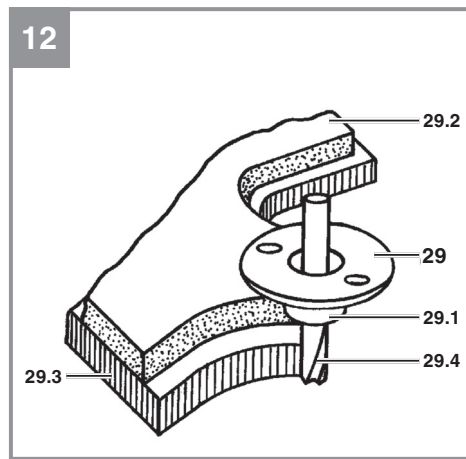
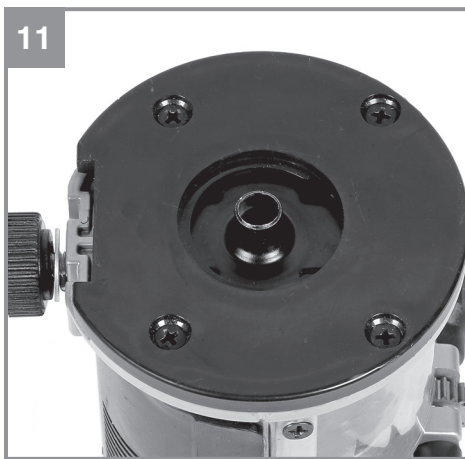
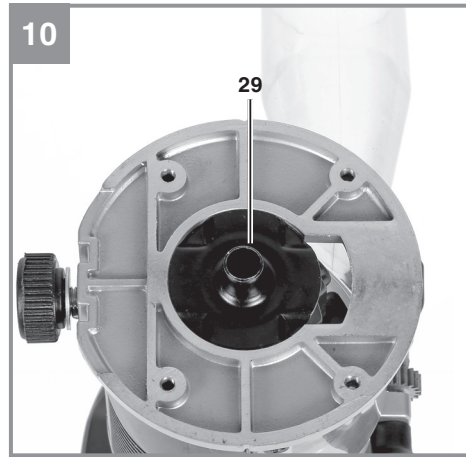
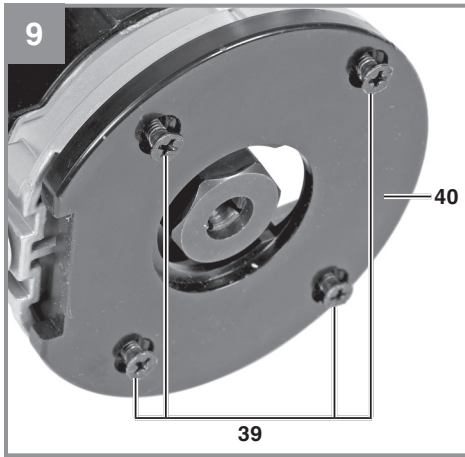


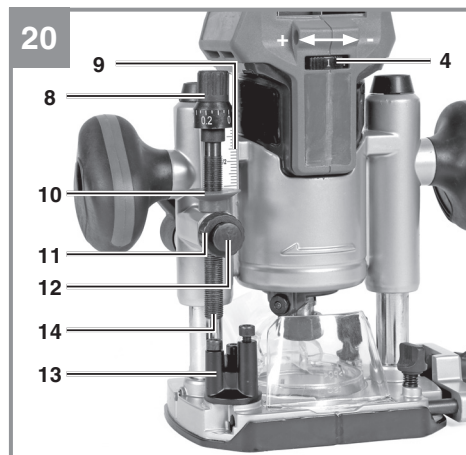
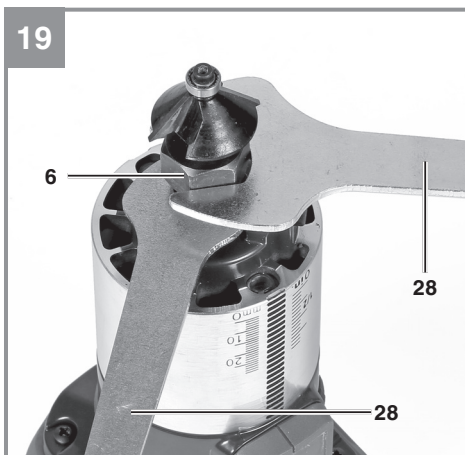
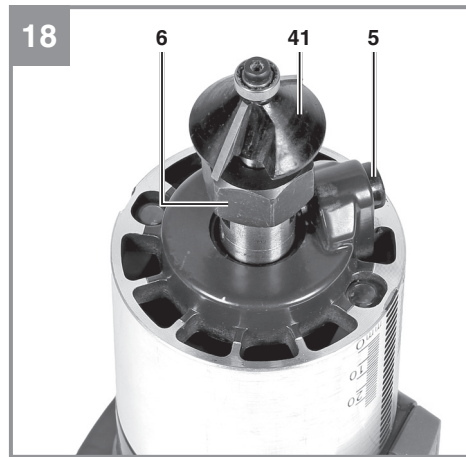
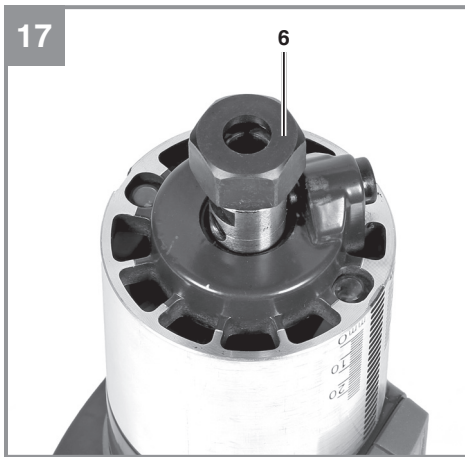
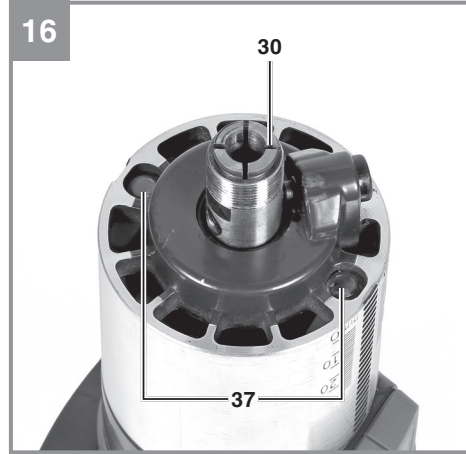
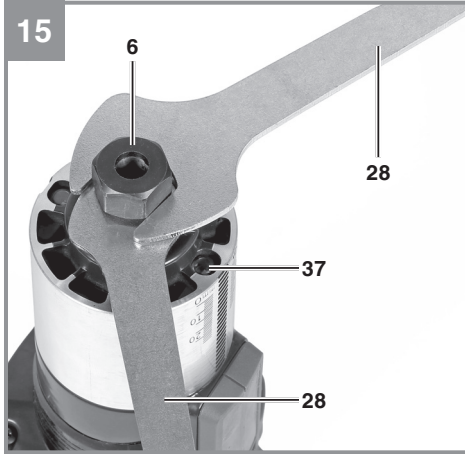
Art.-Nr.: 4350413

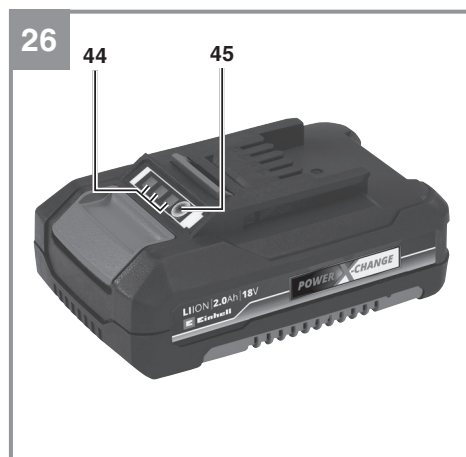
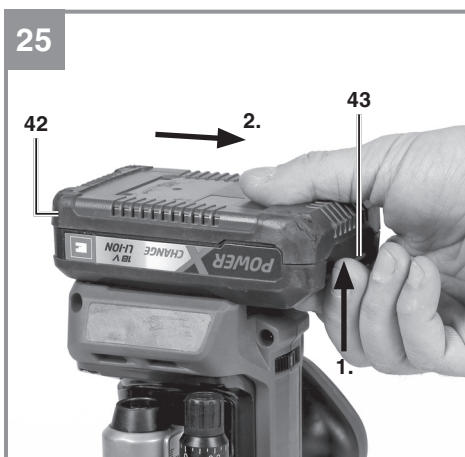
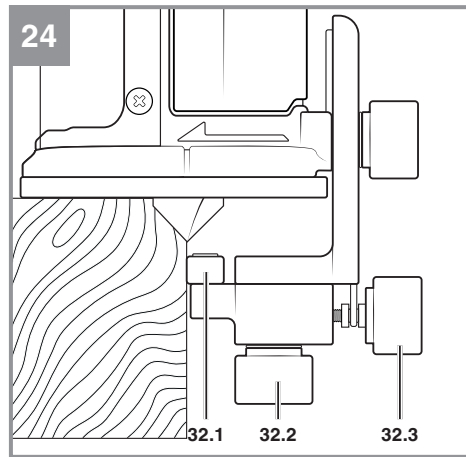
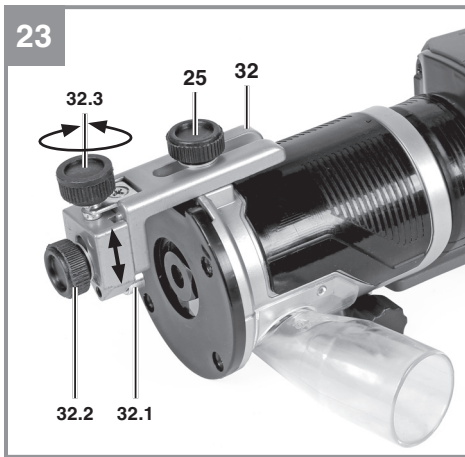
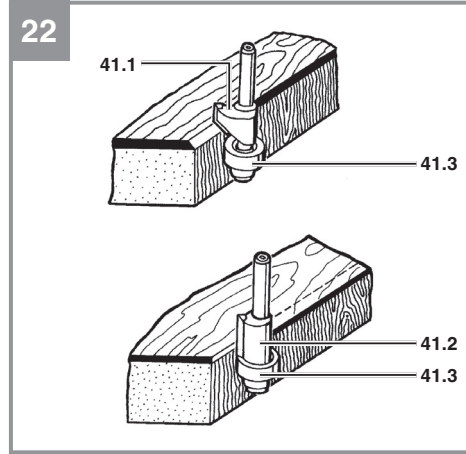
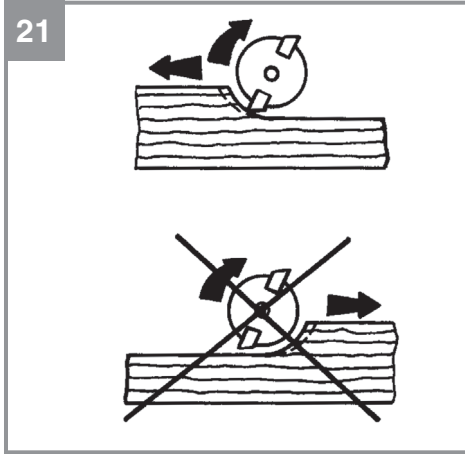
I.-Nr.: 21013















Danger! - Read the operating instructions to reduce the risk of injury.



Caution! Wear ear-muffs. The impact of noise can cause damage to hearing.



Caution! Wear a breathing mask. Dust which is injurious to health can be generated when working on wood and other materials. Never use the tool to work on any materials containing asbestos!



Caution! Wear safety goggles. Sparks generated during work or splinters, chips and dust emitted by the equipment can cause loss of sight.



Store the batteries only in dry rooms with an ambient temperature of 50°F to 104°F (+10°C to +40°C). Place only fully charged batteries in storage (charged at least 40%).

DANGER!

When using the equipment, a number of safety precautions must be observed to avoid injuries and damage. Please read the complete operating instructions and safety information with due care. Keep these operating instructions in a safe place so that the information is available at all times. If you give the equipment to any other person, hand over these operating instructions and the safety information as well. We cannot accept any liability for damage or accidents which arise due to failure to follow these instructions and the safety information.

1. Safety information**DANGER!**

Read all the safety information and instructions. Failure to adhere to the safety information and instructions set out below may result in electric shock, fire and/or serious injury. **Keep all the safety information and instructions in a safe place for future use.**

General safety information for power tools

The term "power tool" used in the safety regulations refers to power tools operated from the mains power supply (with a power cable) and to battery operated power tools (without a power cable).

1) Work area safety

- a) **Keep work area clean and well lit.**
Cluttered and dark areas invite accidents.
- b) **Do not operate power tools in explosive atmospheres, such as in the presence of flammable liquids, gases or dust.** *Power tools create sparks which may ignite the dust or fumes.*
- c) **Keep children and bystanders away while operating a power tool.** *Distractions can cause you to lose control.*

2) Electrical safety

- a) **Power tool plugs must match the outlet. Never modify the plug in any way. Do not use any adapter plugs with earthed (grounded) power tools.** *Unmodified plugs and matching outlets will reduce risk of electric shock.*
- b) **Avoid body contact with earthed or grounded surfaces such as pipes, radiators, ranges and refrigerators.** *There*

is an increased risk of electric shock if your body is earthed or grounded.

- c) **Do not expose power tools to rain or wet conditions.** *Water entering a power tool will increase the risk of electric shock.*
 - d) **Do not abuse the cord. Never use the cord for carrying, pulling or unplugging the power tool. Keep cord away from heat, oil, sharp edges or moving parts.** *Damaged or entangled cords increase the risk of electric shock.*
 - e) **When operating a power tool outdoors, use an extension cord suitable for outdoor use.** *Use of a cord suitable for outdoor use reduces the risk of electric shock.*
 - f) **If operating a power tool in a damp location is unavoidable, use a ground fault circuit interruptor (GFCI) protected supply.** *Use of an GFCI reduces the risk of electric shock.*
- 3) Personal safety**
- a) **Stay alert, watch what you are doing and use common sense when operating a power tool. Do not use a power tool while you are tired or under the influence of drugs, alcohol or medication.** *A moment of inattention while operating power tools may result in serious personal injury.*
 - b) **Use personal protective equipment. Always wear eye protection.** *Protective equipment such as dust mask, non-skid safety shoes, hard hat, or hearing protection used for appropriate conditions will reduce personal injuries.*
 - c) **Prevent unintentional starting. Ensure the switch is in the Off-position before connecting to power source and/or BATTERY pack, picking up or carrying the tool.** *Carrying power tools with your finger on the switch or energizing power tools that have the switch on invites accidents.*
 - d) **Remove any adjusting key or wrench before turning the power tool on.** *A wrench or a key left attached to a rotating part of the power tool may result in personal injury.*
 - e) **Do not overreach. Keep proper footing and balance at all times.** *This enables better control of the power tool in unexpected situations.*
 - f) **Dress properly. Do not wear loose clothing or jewellery. Keep your hair, clothing and gloves away from moving parts.** *Loose clothes, jewelry or long hair*

- can be caught in moving parts.
- g) **If devices are provided for the connection of dust extraction and collection facilities, ensure these are connected and properly used.** *Use of these devices can reduce dust related hazards.*
- h) **Do not let familiarity gained from frequent use of tools allow you to become complacent and ignore tool safety principles.** *A careless action can cause severe injury within a fraction of a second.*
- 4) Power tool use and care**
- a) **Do not force the power tool. Use the correct power tool for your application.** *The correct power tool will do the job better and safer at the rate for which it was designed.*
- b) **Do not use the power tool if the switch does not turn it on and off.** *Any power tool that cannot be controlled with the switch is dangerous and must be repaired.*
- c) **Disconnect the plug from the power source and/or remove the battery pack, if detachable, from the power tool before making any adjustments, changing accessories, or storing power tools.** *Such preventive safety measures reduce the risk of starting the power tool accidentally.*
- d) **Store idle power tools out of the reach of children and do not allow persons unfamiliar with the power tool or these instructions to operate the power tool.** *Power tools are dangerous in the hands of untrained users.*
- e) **Maintain power tools and accessories. Check for misalignment or binding of moving parts, breakage of parts and any other condition that may affect the power tool's operation. If damaged, have the power tool repaired before use.** *Many accidents are caused by poorly maintained power tools.*
- f) **Keep cutting tools sharp and clean.** *Properly maintained cutting tools with sharp cutting edges are less likely to bind and are easier to control.*
- g) **Use the power tool, accessories and tool bits etc., in accordance with these instructions and in the manner intended for the particular type of power tool, taking into account the working conditions and the work to be performed.** *Use of the power tool for operations different from intended could result in a hazardous situation.*
- h) **Keep handles and grasping surfaces dry, clean and free from oil and grease.** *Slippery handles and grasping surfaces do not allow for safe handling and control of the tool in unexpected situations.*
- 5) Battery tool use and care**
- a) **Recharge only with the charger specified by the manufacturer.** *A charger that is suitable for one type of battery pack may create a risk of fire when used with another battery pack.*
- b) **Use power tools only with specifically designated battery packs.** *Use of any other battery packs may create a risk of injury and fire.*
- c) **When battery pack is not in use, keep it away from other metal objects, like paper clips, coins, keys, nails, screws or other small metal objects that can make a connection from one terminal to another.** *Shorting the battery terminals together may cause burns or a fire.*
- d) **Under abusive conditions, liquid may be ejected from the battery; avoid contact. If contact accidentally occurs, flush with water. If liquid contacts eyes, additionally seek medical help.** *Liquid ejected from the battery may cause irritation or burns.*
- e) **Do not use a BATTERY pack or tool that is damaged or modified.** *Damaged or modified batteries may exhibit unpredictable behavior resulting in fire, EXPLOSION or risk of injury.*
- f) **Do not expose a BATTERY pack or tool to fire or excessive temperature.** *Exposure to fire or temperature above 266°F (130°C) may cause explosion.*
- g) **Follow all charging instructions and do not charge the BATTERY pack or tool outside the temperature range specified in the instructions.** *Charging improperly or at temperatures outside the specified range may damage the BATTERY and increase the risk of fire.*
- 6) Service**
- a) **Have your power tool serviced by a qualified repair person using only identical replacement parts.** *This will ensure that the safety of the power tool is maintained.*
- b) **Never service damaged BATTERY packs.** *Service of BATTERY packs should only be*

performed by the manufacturer or authorized service providers.

Additional safety instructions

We pay a great deal of attention to the design of every battery pack to ensure that we supply you with batteries which feature maximum power density, durability and safety. The battery cells have a wide range of safety devices. Each individual cell is initially formatted and its electrical characteristic curves are recorded. These data are then used exclusively to be able to assemble the best possible battery packs.

Despite all the safety precautions, caution must always be exercised when handling batteries. The following points must be obeyed at all times to ensure safe use. Safe use can only be guaranteed if undamaged cells are used. Incorrect handling can cause cell damage.

Caution! Analyses confirm that incorrect use and poor care are the main causes of the damage caused by high performance batteries.

Information about the battery

1. The battery pack supplied with your cordless tool is not charged. The battery pack has to be charged before you use the tool for the first time.
2. For optimum battery performance avoid low discharge cycles. Charge the battery pack frequently.
3. Store the battery pack in a cool place, ideally at 59°F (15°C) and charged to at least 40%.
4. Lithium-Ion batteries are subject to a natural ageing process. The battery pack must be replaced at the latest when its capacity falls to just 80% of its capacity when new. Weakened cells in an aged battery pack are no longer capable of meeting the high power requirements and therefore pose a safety risk.
5. Do not throw battery packs into an open fire. There is a risk of explosion!
6. Do not ignite the battery pack or expose it to fire.
7. **Do not exhaustively discharge batteries.** Exhaustive discharge will damage the battery cells. The most common cause of deep discharge is lengthy storage or non-use of partly discharged batteries. Stop working as soon as the performance of the battery falls noticeably or the electronic protection system triggers. Place the battery pack in storage only after it has been fully charged.

8. **Protect batteries and the tool from overloads.** Overloads will quickly result in overheating and cell damage inside the battery housing without this overheating actually being apparent externally.
9. **Avoid damage and shocks.** Replace batteries which have been dropped from a height of more than one meter or which have been exposed to violent shocks without delay, even if the housing of the battery pack appears to be undamaged. The battery cells inside the battery may have suffered serious damage. In this respect, please also read the waste disposal information.
10. If the battery pack suffers overloading and overheating, the integrated protective cut-off will switch off the equipment for safety reasons. Caution! Do not press the ON/OFF switch any more if the protective cut-off has actuated. This may damage the battery.
11. Use only original battery packs. The use of other batteries may result in injuries, explosion and a fire risk.
12. **Protect your rechargeable battery against moisture, rain and high humidity.** Moisture, rain and high humidity can cause dangerous cell damage. Never charge or work with batteries which have been exposed to moisture, rain or high humidity – replace them immediately.
13. If your equipment is fitted with a detachable battery, remove the battery for safety reasons after you have finished your work.

Information on chargers and the charging process

1. Please check the data marked on the rating plate of the battery charger. Be sure to connect the battery charger to a power supply with the voltage marked on the rating plate. Never connect it to a different mains voltage.
2. Protect the battery charger and its cable from damage and sharp edges. Have damaged cables repaired without delay by a qualified electrician.
3. Keep the battery charger, batteries and the cordless tool out of children's reach.
4. Do not use damaged battery chargers.
5. Do not use the supplied battery charger to charge other cordless tools.
6. In heavy use the battery pack will become warm. Allow the battery pack to cool to room temperature before commencing with the charging.
7. **Do not over-charge batteries.** Do not

exceed the maximum charging times. These charging times apply only to discharged batteries. Frequent insertion of a charged or partly charged battery pack will result in over-charging and cell damage. Do not leave batteries in the charger for more than 48 hours.

8. **Never use or charge batteries if you suspect that the last time they were charged was more than 12 months previously.** There is a high probability that the battery pack has already suffered dangerous damage (exhaustive discharge).
9. Charging batteries at a temperature below 50°F (10°C) will cause chemical damage to the cell and may cause a fire.
10. Do not use batteries which have heated during the charging process, as the battery cells may have suffered dangerous damage.
11. Do not use batteries which have suffered curvature or deformation during the charging process or which show other non-typical symptoms (gassing, hissing, cracking,...)
12. Never fully discharge the battery pack (recommended depth of discharge max. 80%) A complete discharge of the battery pack will lead to premature ageing of the battery cells.
13. Never charge the batteries unsupervised.

Protection from environmental influences

1. Wear suitable work clothes. Wear safety goggles.
2. **Protect your cordless tool and the battery charger from moisture and rain.** Moisture and rain can cause dangerous cell damage.
3. Do not use the cordless tool or the battery charger near vapors and inflammable liquids.
4. Use the battery charger and cordless tools only in dry conditions and an ambient temperature of 50°F to 104°F (10°C to 40°C).
5. Do not keep the battery charger in places where the temperature is liable to reach over 104°F (40°C). In particular, do not leave the battery charger in a car that is parked in the sunshine.
6. **Protect batteries from overheating.** Overloads, over-charging and exposure to direct sunlight will result in overheating and cell damage. Never charge or work with batteries which have been overheated – replace them immediately if possible.
7. **Storage of batteries, battery chargers and cordless tools.** Store the charger and your cordless tool only in dry places with an

ambient temperature of 50°F to 104°F (10°C to 40°C). Store the Lithium-Ion rechargeable battery in a cool and dry place at 50°F to 68°F (10°C to 20°C). Protect them from humidity and direct sunlight! Place only fully charged batteries in storage (charged at least 40%).

8. Prevent the Lithium-Ion battery pack from freezing. Battery packs which were stored below 32°F (0°C) for more than 60 minutes must be disposed of.
9. When handling batteries beware of electrostatic charge: Electrostatic discharges cause damage of the electronic protection system and the battery cells. Avoid electrostatic charging and never touch the battery poles.

Battery Caution + Disposal

Disposal

Should your appliance need replacement after extended use, do not dispose of it with the household refuse, but in an environmentally safe way.



Waste produced by electrical machine items should not be handled like normal household rubbish. Please recycle where recycle facilities exist. Check with your local authority or retailer for recycling advice.

Always dispose of your battery pack according to federal, state, provincial and local regulations. Contact a recycling agency in your area for recycling locations.

⚠ CAUTION! Even discharged battery packs contain some energy. Before disposing, use electrical tape to cover the terminals to prevent the battery pack from shorting, which could cause a fire or explosion.

⚠ WARNING! To reduce the risk of injury or explosion, never burn or incinerate a battery pack even if it is damaged, dead, or completely discharged. When burned, toxic fumes and materials are emitted into the surrounding atmosphere.

1. Batteries vary according to device. Consult your manual for specific information.
2. Install only new batteries of the same type in your product (where applicable).
3. Failure to insert batteries in the correct polarity, as indicated in the battery compartment or manual, may shorten the life of the batteries or cause batteries to leak.
4. Do not mix old and new batteries.
5. Do not mix Alkaline, Standard (Carbon-Zinc),

- or Rechargeable (Nickel Cadmium, Nickel Metal Hydride, or Lithium-Ion) batteries.
- 6. Do not dispose of batteries in fire.
- 7. Batteries should be recycled or disposed of as per state, provincial and local guidelines.

When shipping or disposing of batteries and cordless tools, always ensure that they are packed individually in plastic bags to prevent short circuits and fires.

Special safety instructions

- **Hold the power tool by insulated gripping surfaces only, because the router bit may contact its own cord.** Cutting a "live" wire may make exposed metal parts of the power tool "live" and could give the operator an electric shock.
- **Use clamps or another practical way to secure and support the workpiece to a stable platform.** Holding the workpiece by your hand or against the body leaves it unstable and may lead to loss of control.
- Before you put the electric router into operation, check to ensure that the router bit is firmly seated and runs smoothly!
- Never use a low quality or damaged router bit.
- Only use router bits whose shaft diameter complies with the specifications in the instructions.
- The maximum speed specified for the router bits can't be exceeded.
- Never cut over metal parts, screws, nails, etc.
- To avoid damage to the router, make sure there are no foreign objects stuck to the workpiece.
- Always guide the router with both hands.
- Let the router reach full speed before plunging the router bit into the workpiece.
- If the router becomes clogged with work debris, switch it off. Let the router come to a complete stop. Remove the debris with a long stick and not with your fingers.
- Let the router run to a complete stop before removing the workpiece or setting down the tool.
- Always cut on a counter-rotating basis.
- Watch out for the reaction torque of the tool, especially if the router becomes jammed.
- When you have finished your work, slide the tool back to starting position.
- Use only properly sharpened router bits.
- Clamp the router bit by friction-locking.
- For deep cuts, carry out the work in several steps according to the material in question.

- Use only router bits with a shaft diameter which matches the integrated collet.
- Use only router bits which are suitable for the speed of the electric tool.

SAVE THESE INSTRUCTIONS

2. Layout and items supplied

2.1 Layout

1. Cordless routing unit
2. Unlock/lock button
3. On/Off switch
4. Speed adjusting dial
5. Spindle lock
6. Collet nut
7. Handles
8. Depth stop adjustment screw
9. Scale
10. Depth pointer
11. Lock nut
12. Quick adjust button
13. Turret stop
14. Depth stop
15. Safety guard
16. Edge guide holder
17. Edge guide holder lock knobs
18. Edge guide lock knob
19. Plunge base lock lever
20. Plunge base dust chute
21. Dust chute lock knob
22. Routing unit lock knob
23. Height adjuster lock knob
24. Height adjuster knob
25. Edge guide lock knob (fixed base)
26. Fixed base dust chute
27. Countersunk head screw for fixed base dust chute
28. Open-ended wrenches
29. Template guide
30. ¼" Collet
31. Plunge base routing shoe
32. Trimmer roller guide
 - 32.1. Guide roller
 - 32.2. Retaining knob
 - 32.3. Adjustment knob
33. Compass point
34. Edge guide
 - 34.1. Wing nut
35. Plunge base
36. Fixed base
37. LED lamp

- 38. Fixed base scale
- 39. Countersunk head screws
- 40. Fixed base cover
- 41. Router bit (not supplied)
- 42. Battery (not supplied)
- 43. Push lock button
- 44. Battery capacity indicator
- 45. Battery capacity indicator button

2.2 Items supplied

Please check that the article is complete as specified in the scope of delivery. If parts are missing, please contact our service center or the store where you made your purchase at the latest within 5 work days after purchasing the article and upon presentation of a valid bill of purchase.

- Open the packaging and take out the equipment with care.
- Remove the packaging material and any packaging and/or transportation braces (if present).
- Check to see if all the items are supplied.
- Inspect the equipment and accessories for transport damage.
- If possible, keep the packaging until the end of the guarantee period.

Danger!

The equipment and packaging material are not toys. Do not let children play with plastic bags, plastic sheets and small parts. There is a risk of choking and suffocating!

- Cordless routing unit
- Plunge base
- Fixed base
- Dust chutes (2x)
- Compass point
- Collet (1/4")
- Trimmer roller guide
- Edge guide
- Open-ended wrench (2x)
- Template guide
- Safety guard
- Original operating instruction with safety information

Separately available accessories

- 18V 1.5Ah PXC Lithium-Ion battery
- 18V 2.0Ah PXC Lithium-Ion battery
- 18V 2.5Ah PXC Lithium-Ion battery
- 18V 3.0Ah PXC Lithium-Ion battery
- 18V 4.0Ah PXC Lithium-Ion battery
- 18V 3.0Ah PXC Plus Lithium-Ion battery
- 18V 4.0Ah PXC Plus Lithium-Ion battery

- 18V 5.2Ah PXC Plus Lithium-Ion battery
- 18V 4.0Ah/6.0Ah PXC Plus Lithium-Ion battery
- 18V 5.0Ah/8.0Ah PXC Plus Lithium-Ion battery
- 18V PXC Dual Port Fast Charger
- 18V PXC Fast Charger


Contact your local retailer for more specific models of batteries and charger available in your area. You can also explore battery + charger options at Einhell.com.

3. Intended use

This cordless router with fixed & plunge base is designed primarily for the machining of wood and plastic. Its uses include the cutting out of knots, the cutting of slots, the forming of recesses, the copying of curves and lettering, flush-trimming, etc. This cordless router with fixed & plunge base is not allowed to be used for the machining of metal, stone, etc.

The equipment is allowed to be used only for its prescribed purpose. Any other use is deemed to be a case of misuse. The user/operator and not the manufacturer will be liable for any damage or injuries of any kind resulting from such misuse.

4. Technical data

Motor power supply: 18V 
 No load speed:.....10,000 - 30,000 RPM (min⁻¹)
 Stroke height (routing depth):..... 1.58"
 Collet: Ø 1/4"
 Max. router bit diameter: 1.18"
 Weight - Cordless Router
 with plunge base (Tool only):.....5.29 lbs
 Weight - Cordless Palm Router
 with fixed base (Tool only):.....2.87 lbs

Wear ear-muffs.

The impact of noise can cause damage to hearing.

Reduce noise generation and vibration to a minimum!

- Use only equipment that is in perfect condition.
- Maintain and clean the equipment regularly.
- Adapt your way of working to the equipment.
- Do not overload the equipment.
- Have the equipment checked if necessary.
- Switch off the equipment when not in use.
- Wear gloves.

CAUTION!

Residual risks

Even if you use this electric power tool in accordance with the instructions, certain residual risks cannot be eliminated. The following hazards may arise in connection with the equipment's construction and layout:

1. Lung damage if no suitable protective dust mask is used.
2. Damage to hearing if no suitable ear protection is applied.
3. Health damage caused by hand-arm vibrations if the equipment is used over a longer period or is not properly guided and maintained.

Limit the operating time.

All stages of the operating cycle must be considered (for example, times in which the electric tools are switched off and times in which the tool is switched on but operates without load).

5. Before starting the equipment

Warning!

Always pull out the battery before making adjustments to the equipment.

All covers and safety devices must be properly fitted before the equipment is switched on.

5.1 Fitting the dust chutes (Fig. 2-3/Item 20/26)

Caution! For health and safety reasons it is imperative that you use a vacuum or a dust collector.

- Connect your cordless tool to a domestic vacuum cleaner or a dust collector using the dust chutes (20/26). This will ensure optimum dust extraction from the workpiece.

The benefits are that you will protect both the equipment and your own health. Your work area will also be cleaner and safer.

- Dust created when working may be dangerous. Refer to the section entitled "Safety instructions".
- The vacuum cleaner or dust collector you use for the dust extraction must be suitable for the material you are machining. Use a special vacuum cleaner if you are handling harmful materials.

Cordless router with plunge base (Fig. 3/Item 20)

- Use the retaining hook to attach the dust chute (20) to the routing shoe (31) and secure it with the dust chute lock knob (21).
- The dust chute (20) can be connected to a vacuum cleaner with a suction hose (not supplied).
- The internal diameter of the dust chute is 1.42". Now fit a suction hose of matching size to the dust chute.

Cordless router with fixed base (Fig. 2/Item 26)

- Secure the dust chute (26) to the fixed base (36) using the countersunk head screw (27).
- The dust chute (26) can be connected to a vacuum cleaner with a suction hose (not supplied).
- The internal diameter of the dust chute is 1.42". Now fit a suction hose of matching size to the dust chute.

5.2 Fitting the safety guard (Only for the cordless router with plunge base!) (Fig. 5/Item 15)

Fit the safety guard (15) as shown in Fig. 1. To remove the safety guard (15), pull it to the front.

5.3 Fitting the edge guide (Fig. 6-7/ Item 34)

Cordless router with plunge base

- Insert the edge guide holder (16) in the guides provided on the routing shoe (31) as shown in Fig. 1 and secure with the two edge guide holder lock knobs (17).
- Undo the edge guide lock knob (18) on the edge guide holder (16).
- Insert the edge guide (34) in the edge guide holder (16) as shown in Fig. 6 and retighten the edge guide lock knob (18).
- Set the edge guide (34) to the required

dimension and secure it in place with the wing nut (34.1).

Cordless router with fixed base

- Undo the edge guide lock knob (25).
- Insert the edge guide (34) under the edge guide lock knob (25) as shown in Fig. 7 and retighten the edge guide lock knob (25).
- Set the edge guide (34) to the required dimension and secure it in place with the wing nut (34.1).

5.4 Fitting the compass point (Fig. 8/Item 33)

- You can cut circular areas using the compass point (33).
- To do so, undo the wing nut (34.1) and remove the front section of the edge guide (34).
- Install the compass point (33) on the edge guide (34) as shown in Fig. 8 using the wing nut and carriage bolt removed previously. Now fit the edge guide (34) together with the compass point (33) on the fixed base, secure it in place with the edge guide lock knob (25).
- The procedure for fitting is the same as described in section 5.3 except that the edge guide (34) must be turned 180° so that the compass point (33) points downwards (Fig. 8).
- Set the required radius between the compass point (33) and the router bit.
- Position the compass point (33) in the center of the circle you wish to cut.

5.5 Fitting and using the template guide (Only for the router with fixed base!) (Fig. 9-12/Item 29)

- Remove the four countersunk head screws (39) from the bottom of the fixed base and take off the cover (40) (Fig. 9).
- Insert the template guide (29) as shown in Fig. 10.
- Reinstall the cover (40) using the four countersunk head screws (39).
- The template guide (29) will be guided along the template (29.2) by the guide ring (29.1).
- To obtain an exact copy the workpiece (29.3) must be larger by the difference between the "external edge of the guide ring" and the "external edge of the router bit" (29.4).

5.6 Fitting/removing the cordless routing unit (Fig. 13-14)

Warning! Remove the battery.

Cordless router with plunge base

- To insert the cordless routing unit (1) in the plunge base (35), first undo the routing unit lock knob (22) and then insert the cordless routing unit (1).
- Retighten the routing unit lock knob (22).

Cordless router with fixed base

- To insert the cordless routing unit (1) in the fixed base (36), first undo the height adjuster lock knob (23) and then insert the cordless routing unit (1).
- Then use the height adjuster knob (24) and the scale (38) to set the required cutting depth.
- Retighten the height adjuster lock knob (23).

5.7 Fitting/removing a router bit (Fig. 15- 19)

Warning! Remove the battery.

Caution! When you have finished working with the router, the router bit will stay very hot for a relatively long time!

Caution! Router bits are very sharp. Wear protective gloves at all times when handling router bits.

- To make it easier to change the router bit, remove the cordless routing unit (1) from the respective base as described in section 5.6.
- Router bits with a shaft diameter of 1/4" can be used with this cordless router.
- You can use router bits made of the following materials:
 - **HSS** - suitable for cutting softwood.
 - **TCT** - suitable for cutting hardwood, particle board and plastic.
- Select the appropriate router bit for the job in hand.
- When using a router bit for the first time: Remove the plastic packaging from the router bit head.
- Clean the nut, collet and shaft of the router bit before fitting it.
- Undo the collet nut (6) using the two open-ended wrenches (28).
- If a router bit is already fitted in the collet (30), remove it.
- Select the appropriate router bit for the job in hand.
- Insert the collet (30) in the spindle (Fig. 16).
- Reinstall the collet nut (6) (Fig. 17).

- Guide the router bit shaft into the collet (Fig. 18).
- While holding the spindle lock (5) in pressed position, hand-tighten the collet nut (6) (Fig. 18).
- **Notice!**
The spindle lock is not allowed to be used for tightening with the open-ended wrench (28)!
- Tighten the collet nut (6) using the two open-ended wrenches (28).
- The router bit must be inserted into the collet (30) by at least 3/4".
- Before you use the equipment, check that the router bit is secure and runs true.

5.8 Adjusting the turret stop (Fig. 20/Item 13)

The turret stop (13) can be adjusted in height according to requirements. To do so, use a hex. key to adjust the height of each screw on the turret stop (13) to the required stop height.

Warning! Remove the setting and assembly tools before starting the machine.

5.9 Fitting/removing the trimmer roller guide (Fig. 23/Item 32)

- Undo the edge guide lock knob (25), insert the trimmer roller guide (32) as shown in Fig. 23, and establish the appropriate height.
- Retighten the edge guide lock knob (25).
- Now use the adjustment knob (32.3) to set the required lateral feed and use the retaining knob (32.2) to secure the trimmer roller guide.

6. Operation

Warning!

When using the router with the fixed base, you must ensure that you grip the palm router as far up as possible. To reduce the risk of injury, the distance between your hand and the upper edge of the edge guide mount should not be less than 1 1/8" (17 mm)! (See fig. 27)

- Never use a low-quality or damaged router bit. Use only router bits with a shaft diameter of 1/4". The router bits must also be designed for the respective idling speed.
- Secure the workpiece so that it cannot be thrown through the air as you work on it. Use clamps or a vise.
- Never cut over metal parts, screws, nails, etc.

6.1 On/Off switch (Fig. 1/Item 3)

For safety reasons, the cordless router is equipped with a safety lock-off.

- To switch on, press the unlock/lock button (2). The LED lamps (37) will turn on as a way of confirmation.
- Now press the On/Off switch (3) within the next 10 seconds.
- If the On/Off switch is not pressed for longer than 10 seconds, the LED lamps (37) will turn off and the equipment cannot be switched on.
- To switch off, press either the unlock/lock button (2) or the On/Off switch (3).

6.2 Speed adjusting dial (Fig. 20/Item 4)

The most suitable speed depends on the material you want to cut and on the diameter of the router bit. Use the speed adjusting dial (4) to select a speed between 10,000 and 30,000 RPM. You can choose from 6 different switch positions.

The speeds in the various switch positions are as follows:

Switch position 1: approx. 10,000 RPM (minimum speed)
 Switch position 2: approx. 14,000 RPM
 Switch position 3: approx. 19,000 RPM
 Switch position 4: approx. 22,000 RPM
 Switch position 5: approx. 25,000 RPM
 Switch position 6: approx. 30,000 RPM (maximum speed)

To increase the speed:

Move the speed adjusting dial (4) in the plus direction.

To decrease the speed:

Move the speed adjusting dial (4) in the minus direction.

6.3 Adjusting the routing depth (Only for the cordless router with plunge base!) (Fig. 20)

- Place the machine on the workpiece.
- Undo the lock nut (11) and the lock lever (19).
- Slowly move the machine downwards and press the quick adjust button (12) until the router bit makes contact with the workpiece.
- Tighten the lock lever (19).
- Set the depth stop adjustment screw (8) accordingly to 0.
- Set the turret stop (13) so that the depth stop (14) lies above the lowest set turret stop (13).
- Press the quick adjust button (12) to lower the depth stop (14) until it touches the turret

- stop (13). Then tighten the lock nut (11) and release the lock lever (19).
- Set the depth pointer (10) to the zero point on the scale (9).
 - Undo the lock nut (11). Push up the depth stop (14) until the pointer (10) shows the required routing depth on the scale (9). Retighten the lock nut (11).
 - Test the setting by performing a test cut on a piece of scrap material.
 - Now the routing depth can be finely adjusted. Begin by turning the depth stop adjustment screw (8) to the required dimension.

Turn the depth stop adjustment screw (8) counterclockwise: The routing depth is raised.

Turn the depth stop adjustment screw (8) clockwise: The routing depth is lowered.

Turning the depth stop adjustment screw (8) by one increment is equivalent to changing the routing depth by 0.004"; one full turn is equivalent to 0.04".

6.4 Routing

Cordless router with plunge base

- To avoid damage to the router, make sure there are no foreign objects attached to the workpiece.
- Hold both of the plunge base handles (7).
- Place the cordless router with plunge base on the workpiece.
- Set the routing depth as explained in section 6.3.
- Select the speed as explained in section 6.2 and switch on the equipment (see section 6.1).
- Test the equipment's settings on a scrap piece of material.
- Let the equipment reach full speed. Only then should you lower the router bit to its working height and lock the equipment with the lock lever (19).

Cordless router with fixed base

- To avoid damage to the router, make sure there are no foreign objects attached to the workpiece.
- Hold the router's handle.
- Place the cordless router with fixed base on the workpiece.
- Set the routing depth as explained in section 5.6.

- Select the speed as explained in section 6.2 and switch on the equipment (see section 6.1).
- Test the equipment's settings on a scrap piece of material.
- Let the equipment reach full speed.

Cutting direction: The cutting tool turns clockwise. To avoid accidents, you must always cut against the direction in which the tool turns (Fig. 21).

Feed speed: It is very important to machine the workpiece at the correct feed speed. We recommend that before you machine the actual workpiece, you carry out several trial cuts on a scrapped piece of the same material. This is the easiest way to find the best working speed for the workpiece.

Feed speed too low:

The router bit might overheat. If you are cutting inflammable material such as wood, the workpiece might ignite.

Feed speed too high:

The router bit might become damaged. Cutting quality: rough and uneven.

Allow the router bit to come to a complete standstill before removing the workpiece or putting down the router.

6.5 Step-by-step routing

Step-by-step routing when processing hard material and performing deep cuts.

- Adjust the turret stop as explained in section 5.8.
- To carry out a routing job in several steps you must then set the routing depth as explained in section 6.3 before turning the turret stop (13) so that the depth stop (14) lies above the highest turret stop (13).
- Now perform a cut in this setting. When the first cut is completed, set the turret stop (13) so that the depth stop (14) lies above the middle turret stop. Now perform a cut in this setting as well.
- Finally, set the lowest turret stop and complete the cut.

6.6 Cutting circles with the compass point (33)

Proceed as follows to cut circles around a center-point:

- Fit and adjust the compass point (33) as explained in section 5.4.
- Place the compass point (33) on the center-point of the circle you want to cut and press it in place.
- Perform the cut as described in section 6.4.

6.7 Making cuts with the edge guide (34)

Proceed as follows to cut along a straight outer edge of a workpiece:

- Fit the edge guide (34) as explained in section 5.3.
- Move the edge guide (34) along the outer edge of the workpiece.
- Perform the cut as explained in section 6.4.

6.8 Making cuts freehand

The cordless router can also be used without any guides. You can use it freehand on creative jobs such as the production of lettering.

- Use a very flat router bit setting for this purpose!
- Check the direction in which the router bit is turning while you machine the workpiece (Fig. 21).

6.9 Cutting shapes and edges (Fig. 22)

- Special router bits with a guide ring can be used for cutting shapes (41.1) and edges (41.2).
- Fit the router bit.
- Carefully move the machine against the workpiece.
- Using gentle pressure, move the guide journal or ball bearing (41.3) along the workpiece.

Cordless router with fixed base With the help of the trimmer roller guide (32) you can also perform edge cuts.

- Fit the trimmer roller guide (32) as explained in section 5.9.
- Place the cordless router with fixed base on the workpiece and adjust the height of the trimmer roller guide (32) so that the ball bearing (32.1) lies underneath the router bit.
- Now undo the fastening knob (32.2) and then use the adjustment knob (32.3) to set the lateral feed of the router bit.
- Retighten the fastening knob (32.2).

Warning:

For deep cuts, carry out the work in several steps according to the material in question. Hold the equipment with two hands during all cutting work.

6.10 Charging the Lithium-Ion battery (not included)

The corresponding instructions can be found in the original operating instructions for your charger.

6.11 Battery capacity indicator (Fig. 26 / item 44)

Press the battery capacity indicator switch (45). The battery capacity indicator (44) shows the charge status of the battery using 3 LEDs.

All 3 LEDs lit:

The battery is fully charged.

2 or 1 LED(s) lit:

The battery has an adequate remaining charge.

1 LED flashing:

The battery is empty, recharge the battery.

All LEDs flashing:

The temperature of the battery is too low. Remove the battery from the device and leave it at room temperature for a day. If the error occurs again, this means that the battery has been completely depthdischarged and is defective. Remove the battery from the device. Never use or charge a defective battery.

7. Cleaning and maintenance

HAZARD!

Always take the battery out of the equipment before starting any cleaning work.

7.1 Cleaning

- Keep all safety devices, air vents and the motor housing free of dirt and dust as far as possible. Wipe the equipment with a clean cloth or blow it down with compressed air at low pressure.
- We recommend cleaning the equipment immediately each time after use.
- Clean the equipment regularly with a damp cloth and some soft soap. Do not use cleaning agents or solvents; these may

be aggressive to the plastic parts in the equipment. Ensure that no water can get into the interior of the equipment. The ingress of water into an electric power tool increases the risk of an electric shock.

7.2 Maintenance

There are no other parts inside the equipment which require maintenance.

8. Disposal and recycling

The equipment is supplied in packaging to prevent it from being damaged in transit. The raw materials in this packaging can be reused or recycled. The equipment and its accessories are made of various types of material, such as metal and plastic. Never place defective equipment in your household refuse. The equipment should be taken to a suitable collection center for proper disposal. If you do not know the whereabouts of such a collection point, you should ask in your local council offices.

9. Storage

Store the equipment and its accessories out of children's reach in a dark and dry place at above freezing temperature. The ideal storage temperature is between 41°F and 86°F (5°C and 30°C). Keep the electric tool in its original packaging.

The reprinting or reproduction by any other means, in whole or in part, of documentation and papers accompanying the products is strictly subject to the express consent of Einhell Germany AG.

Subject to technical changes.



Danger! - Lire le mode d'emploi pour diminuer le risque de blessures.



Attention ! Portez une protection auditive. Le bruit peut provoquer une perte d'acuité auditive.



Attention ! Portez un masque anti-poussières. Des poussières nocives peuvent être générées lors des travaux avec le bois et autres matériaux. Ne travaillez pas avec un matériau contenant de l'amiante !



Attention ! Portez des lunettes de protection. Les étincelles créées pendant le travail ou les éclats, les copeaux et les poussières sortant de l'appareil peuvent entraîner la perte de la vue.



Conservez les batteries uniquement dans des locaux secs et à une température ambiante de 50-104 °F (+10-+40 °C). Conservez les batteries uniquement en état chargé (au moins 40 % de charge).

Danger !

Certaines mesures de sécurité doivent être respectées pendant l'utilisation des appareils pour empêcher les blessures et les dommages. Par conséquent, lisez attentivement le présent mode d'emploi / les consignes de sécurité. Conservez-les bien pour avoir les informations toujours à la portée de la main. Si vous devez passer l'appareil à d'autres personnes, veuillez leur remettre également le présent mode d'emploi / les consignes de sécurité. Nous ne sommes pas tenus des accidents ou dommages survenus à cause de non-respect du présent mode d'emploi et des consignes de sécurité.

1. Consignes de sécurité**Danger !**

Lisez toutes les consignes de sécurité et instructions. Le non-respect des consignes de sécurité et des instructions peut causer une électrocution, un incendie et / ou de graves blessures. **Conservez toutes les consignes de sécurité et instructions pour l'avenir.**

Consignes générales de sécurité pour les outils électriques

Le terme « outil électrique » utilisé dans les consignes de sécurité se réfère à des outils électriques alimentés par le secteur (avec câble d'alimentation) et à des outils électriques alimentés par la batterie (sans câble d'alimentation).

1. Sécurité du lieu de travail

- a) **Maintenez votre espace de travail propre et bien éclairé.** *Le désordre ou les espaces de travail non éclairés peuvent provoquer des accidents.*
- b) **Ne travaillez pas avec l'outil électrique dans une atmosphère explosible contenant des liquides, des gaz ou des poussières combustibles.** *Les appareils électriques génèrent des étincelles pouvant enflammer la poussière ou les vapeurs.*
- c) **Tenez à distance les enfants et autres personnes lors de l'utilisation de l'appareil électrique.** *En cas de distraction, vous pouvez perdre le contrôle de l'appareil.*

2. Sécurité électrique

- a) **La fiche de raccordement de l'appareil électrique doit être adaptée à la prise. La fiche ne doit être modifiée en aucune façon. N'utilisez pas de fiche d'adaptateur avec les outils électriques mis à la terre.** *Les fiches non modifiées et les prises adaptées diminuent le risque d'une électrocution.*
 - b) **Évitez le contact physique avec les surfaces mises à la terre, comme celles de conduits, des chauffages, des cuisinières et des réfrigérateurs.** *Il existe un risque élevé d'électrocution lorsque votre corps est mis à la terre.*
 - c) **Gardez les appareils électriques à l'abri de la pluie ou de l'humidité.** *La pénétration de l'eau dans un appareil électrique augmente le risque d'une électrocution.*
 - d) **Ne détournez pas le câble de sa fonction pour porter ou pour accrocher l'appareil électrique ou pour retirer la fiche de la prise. Gardez le câble à l'abri de la chaleur, de l'huile, des bords coupants ou des éléments mobiles de l'appareil.** *Les câbles endommagés ou enchevêtrés augmentent le risque d'une électrocution.*
 - e) **Si vous travaillez avec un appareil électrique dehors, utilisez uniquement une rallonge adaptée à l'usage à l'extérieur.** *L'utilisation d'une rallonge adaptée à l'usage à l'extérieur diminue le risque d'une électrocution.*
 - f) **Si l'appareil électrique doit être utilisé dans un environnement humide, utilisez un Disjoncteur de fuite à la terre.** *L'utilisation d'un disjoncteur de fuite à la terre diminue le risque d'une électrocution.*
- 3. Sécurité des personnes**
- a) **Soyez attentif, prenez garde à ce que vous faites et soyez raisonnable en travaillant avec un outil électrique. N'utilisez pas un appareil électrique si vous êtes fatigué ou si vous vous trouvez sous l'effet de drogues, d'alcool ou de médicaments.** *Un instant d'inattention lors de l'utilisation de l'appareil électrique peut entraîner de graves blessures.*
 - b) **Utilisez l'équipement de protection individuelle. Porter toujours une protection des yeux.** *L'équipement de protection, tel que le masque anti-poussière, les chaussures de sécurité antidérapantes, le casque protecteur ou la protection auditive utilisés dans des conditions appropriées, permet de réduire les*

- dommages corporels.*
- c) **Évitez tout démarrage non intentionnel. S'assurer que le bouton marche-arrêt est en position Arrêt (Off) avant de connecter la source de courant et/ou la BATTERIE, de prendre et de transporter l'outil.** *Transporter des outils électriques avec votre doigt sur le bouton marche-arrêt ou mettre sous tension des outils électriques dont le bouton marche-arrêt est position Marche (On) peut causer des accidents.*
- d) **Avant d'allumer l'outil électrique, retirez les outils de réglage ou les clés.** *Un outil ou une clé se trouvant dans un élément tournant de la machine peut entraîner des blessures.*
- e) **Évitez une posture anormale. Ayez un appui stable et gardez l'équilibre en permanence.** *Vous pouvez ainsi mieux contrôler l'outil électrique dans des situations imprévues.*
- f) **Portez des vêtements appropriés. Ne portez pas de vêtements amples ni de bijoux. Gardez les cheveux, les vêtements et les gants à distance des éléments mobiles.** *Des vêtements amples, bijoux ou longs cheveux peuvent être happés par les éléments mobiles.*
- g) **Si des dispositifs d'aspiration ou de récupération des poussières peuvent être montés, assurez-vous qu'ils sont connectés et peuvent être utilisés correctement.** *L'utilisation d'une aspiration des poussières peut diminuer les risques causés par la poussière.*
- h) **La familiarité acquise par l'utilisation fréquente des outils ne doit pas laisser place à la complaisance et à l'ignorance des principes de sécurité de l'outil.** *Une action imprudente peut causer de graves blessures en une fraction de seconde.*
- 4. Utilisation et traitement de l'outil électrique**
- a) **Ne surchargez pas l'appareil.** *Utilisez l'outil électrique adapté à votre application. Vous travaillez mieux et de manière plus sûre avec un outil électrique approprié dans la gamme de puissance indiquée.*
- b) **N'utilisez pas un outil électrique avec un interrupteur défectueux.** *Un outil électrique qui ne peut plus être allumé ou éteint est dangereux et doit être réparé.*
- c) **Débranchez la fiche de la source électrique et / ou retirez la batterie de l'outil électrique, si elle est amovible, avant de procéder à des ajustements, remplacer des accessoires ou ranger les outils électriques.** *De telles mesures préventives réduisent le risque de démarrage accidentel de l'outil électrique.*
- d) **Conservez les outils électriques non utilisés hors la portée des enfants. Ne permettez pas aux personnes qui ne sont pas familiarisées avec cet appareil ou qui n'ont pas lu ces instructions de l'utiliser.** *Les outils électriques sont dangereux lorsqu'ils sont utilisés par des personnes inexpérimentées.*
- e) **Entretenez les outils électriques et les accessoires. Vérifiez la dérive d'alignement ou l'attache des pièces mobiles, la rupture des pièces et s'assurer qu'aucun autre problème peut affecter le bon fonctionnement de l'outil électrique. Faire réparer l'outil endommagé avant l'utilisation.** *De nombreux accidents sont dus au mauvais entretien des outils électriques.*
- f) **Maintenez vos outils de coupe aiguisés et propres.** *Les outils de coupe aux bords tranchants bien soignés se coincent moins et sont plus aisés à guider.*
- g) **Utilisez l'outil électrique, les accessoires, les outils utilisés, etc. conformément au présent mode d'emploi. Tenez compte des conditions de travail et de l'activité à réaliser.** *L'utilisation des outils électriques pour des usages autres que prévus peut entraîner des situations dangereuses.*
- h) **Gardez les poignées et les surfaces de prise sèches, propres et exemptes d'huile et de graisse.** *Les poignées et surfaces de prise glissantes ne permettent pas d'effectuer une manipulation et un contrôle de l'outil en toute sécurité dans des situations imprévues.*
- 5. Utilisation et traitement de l'outil sans fil**
- a) **Chargez les batteries uniquement dans les chargeurs recommandés par le fabricant.** *L'utilisation d'un chargeur pour des batteries non appropriées présente un risque d'incendie.*
- b) **Utilisez dans les outils électriques uniquement les batteries prévues à cet effet.** *L'utilisation d'autres batteries peut entraîner des blessures et le risque d'incendie.*
- c) **Conservez la batterie non utilisée à distance des trombones, pièces de monnaie, clés, clous, vis ou autres menus objets en métal susceptibles de provoquer un**

pontage des contacts. *Un court-circuit entre les contacts de la batterie peut entraîner des brûlures ou le feu.*

- d) **En cas d'utilisation incorrecte, un liquide peut s'échapper de la batterie. Ne le touchez pas. Rincez à l'eau en cas de contact fortuit. Si le liquide entre en contact avec les yeux, consultez également le médecin.** *Le liquide s'échappant de la batterie peut causer des irritations cutanées ou des brûlures.*
- e) **Ne pas utiliser une BATTERIE ou un outil endommagé(e) ou modifié(e).** *Les batteries endommagées ou modifiées peuvent agir de manière imprévisible et donner lieu à un incendie, une EXPLOSION ou un risque de blessure.*
- f) **Ne pas exposer une BATTERIE ou un outil au feu ou à une température excessive.** *Une exposition au feu ou à une température supérieure à 266°F (130°C) peut causer une explosion.*
- g) **Suivre toutes les instructions de charge et ne pas charger la BATTERIE ou l'outil en dehors de la gamme de température spécifiée dans les instructions.** *Un mauvais chargement ou un chargement à des températures en dehors de la gamme spécifiée peut endommager la BATTERIE et augmenter les risques d'incendie.*
- 6. Service**
- a) **Faites réparer votre outil électrique uniquement par des spécialistes qualifiés et uniquement avec des pièces de rechange d'origine.** *Cela garantit le maintien de la sécurité de l'outil électrique.*
- b) **Ne jamais entretenir des BATTERIES endommagées.** *L'entretien des BATTERIES doit être effectué uniquement par le fabricant ou par des prestataires de service autorisés.*

Consignes spécifiques de sécurité

Nous construisons chaque batterie avec le plus grand soin possible pour pouvoir vous transmettre les batteries avec la densité énergétique, la durabilité et la sécurité maximales. Les cellules de batterie sont munies de dispositifs de sécurité de plusieurs niveaux. Chaque cellule individuelle est d'abord formatée, et leurs courbes caractéristiques sont enregistrées. Ensuite, ces données sont utilisées pour pouvoir regrouper les meilleures batteries possible.

Malgré toutes les mesures de sécurité, il faut toujours être prudent en maniant les

batteries. Les points suivants doivent être impérativement respectés pour assurer le fonctionnement sûr.

Le fonctionnement sûr n'est possible qu'avec des cellules intactes ! Une manipulation incorrecte endommage les cellules.

Attention ! Des analyses confirment que l'utilisation gravement inappropriée et des soins incorrects constituent la cause principale des dommages dus aux batteries haute performance.

Consignes concernant les batteries

1. La batterie de l'appareil sans fil n'est pas chargée à la livraison. Par conséquent, la batterie doit être chargée avant la première mise en service.
2. Évitez des cycles de décharge à plat pour garantir la performance maximale de la batterie ! Chargez souvent votre batterie.
3. Conservez votre batterie au frais, au mieux à 59 °F (+15 °C), et chargée d'au moins à 40%.
4. Les batteries Lithium-Ion sont sujettes au vieillissement naturel. La batterie doit être remplacée au plus tard lorsque la capacité de la batterie ne correspond plus qu'à 80 % de l'état neuf. Les cellules affaiblies dans une batterie vieillie ne tiennent plus la tête aux exigences élevées en terme de performance et présentent ainsi un risque de sécurité.
5. Ne jetez pas les batteries usées dans le feu ouvert. Risque d'explosion !
6. Ne pas allumer la batterie et ne pas l'exposer à la combustion.
7. **Ne pas décharger complètement la batterie !** La décharge complète endommage les cellules de la batterie. La cause la plus fréquente de la décharge complète de la batterie constitue un stockage ou non-utilisation prolongés des batteries à moitié chargées. Terminez l'opération dès que la puissance diminue visiblement ou la protection électronique réagit. Ne conservez la batterie que complètement chargée.
8. **Protéger les batteries et l'appareil contre la surcharge !** Une surcharge provoque rapidement la surchauffe et l'endommagement des cellules à l'intérieur du boîtier de batterie, sans que cela puisse se voir de l'extérieur.
9. **Évitez les détériorations et les chocs !** Remplacez sur-le-champ les batteries ayant chuté d'une hauteur de plus d'un mètre ou ayant été exposées à des coups violents, même si le boîtier de la batterie semble intact.

Les cellules de la batterie peuvent être sérieusement endommagées à l'intérieur. Respectez à cet égard également les consignes d'élimination.

10. En cas de surcharge et de surchauffe, le circuit de protection intégré éteint l'appareil pour des raisons de sécurité.
Attention ! N'actionnez plus l'interrupteur marche / arrêt lorsque le circuit de protection a éteint l'appareil. Cela peut endommager la batterie.
11. N'utilisez que des batteries d'origine. L'utilisation d'autres batteries peut entraîner des blessures, une explosion et le risque d'incendie.
12. **Protégez votre batterie de l'humidité, de la pluie et de l'humidité de l'air élevée.** L'humidité, la pluie et l'humidité de l'air élevée peuvent endommager dangereusement les cellules. En aucun cas, ne chargez ni ne travaillez avec la batterie qui a été exposée à l'humidité, à la pluie ou à l'humidité de l'air élevée – remplacez-les immédiatement !
13. Si votre appareil est équipé d'une batterie amovible, retirez-la de votre appareil à la fin de votre travail pour des raisons de sécurité.

Consignes concernant le chargeur et la charge

1. Tenez compte des informations indiquées sur la plaque signalétique du chargeur. Raccordez le chargeur uniquement à la tension d'alimentation indiquée sur la plaque signalétique.
2. Protégez le chargeur et le fil contre l'endommagement et les bords coupants. Les câbles endommagés doivent être immédiatement remplacés par un électricien.
3. Protéger le chargeur, les batteries et l'appareil sans fil contre les enfants.
4. Ne pas utiliser des chargeurs endommagés.
5. N'utilisez pas le chargeur fourni pour charger d'autres appareils sans fil.
6. En cas de forte sollicitation, la batterie se réchauffe. Laissez refroidir la batterie à la température ambiante avant le chargement.
7. **Ne pas surcharger les batteries !** Respectez les durées maximales du chargement. Ces durées de chargement s'appliquent uniquement aux batteries déchargées. Le branchement répété d'une batterie chargée ou partiellement chargée entraîne la surcharge et l'endommagement des cellules. Ne pas laisser les batteries insérées dans le chargeur pendant plus que 48 heures.

8. **N'utilisez ni chargez pas les batteries que vous supposez avoir été chargées pour la dernière fois depuis plus de 12 mois.** Il est hautement probable que la batterie est déjà dangereusement endommagée (déchargement complet).
9. Un chargement à une température inférieure à 50 °F (10 °C) entraîne une détérioration chimique de la cellule et peut provoquer un incendie.
10. N'utilisez pas de batteries qui se sont réchauffées pendant le chargement, car les cellules de la batterie pourraient être dangereusement endommagées.
11. N'utilisez plus les batteries qui se sont bombées ou déformées pendant le chargement ou qui présentent des symptômes inhabituels (dégazage, sifflement, grésillement, ...).
12. Ne déchargez pas complètement la batterie (déchargement maximal recommandé max. 80 %). Le déchargement complet entraîne un vieillissement précoce des cellules de la batterie.
13. Ne chargez jamais les batteries sans surveillance !

Protection contre l'impact environnemental

1. Portez des vêtements de travail appropriés. Porter des lunettes de protection.
2. **Protégez votre appareil sans fil et le chargeur contre l'humidité et la pluie.** L'humidité et la pluie peuvent entraîner des endommagements dangereux des cellules.
3. Ne pas utiliser l'appareil sans fil et le chargeur dans un espace contenant des vapeurs et des liquides combustibles.
4. Utilisez le chargeur et les appareils sans fil uniquement en état sec et à une température ambiante de 50-104 °F (10-40 °C).
5. Ne conservez pas la batterie dans des endroits où la température peut être supérieure à 104 °F (40 °C), en particulier dans un véhicule garé au soleil.
6. **Protégez les batteries contre la surchauffe !** Une surcharge, un chargement excessif ou le rayonnement solaire entraînent la surchauffe et détériorent les cellules. Ne chargez ni travaillez en aucun cas avec les batteries qui ont été surchauffées, remplacez-les sans tarder.
7. **Conservation des batteries, des chargeurs et de l'appareil sans fil.** Conservez le chargeur et votre appareil sans fil uniquement dans des locaux secs à une température ambiante de 50-104 °F (10-40 °C).

- Conservez la batterie Lithium-Ion au frais et au sec à 50-68 °F (10-20 °C). Protégez contre l'humidité de l'air et le rayonnement solaire direct ! Conservez les batteries uniquement en état chargé (au moins 40 % de charge).
- Empêchez que la batterie Lithium-Ion gèle. Les batteries qui ont été conservées plus de 60 minutes au-dessous de 32 °F (0 °C) doivent être éliminées.
 - Attention lors de la manipulation des batteries en rapport avec la charge électrostatique : les décharges électrostatiques endommagent la protection électronique et les cellules de la batterie ! Par conséquent, évitez les décharges électrostatiques et ne touchez jamais les pôles de la batterie !

Mise en garde concernant les batteries et informations sur leur élimination

Élimination

Si votre outil doit être remplacé après une période d'utilisation prolongée, ne le jetez pas avec les ordures ménagères, mais éliminez-le d'une manière respectueuse pour l'environnement.



Les déchets produits par les éléments d'un outil ou d'une machine électrique ne doivent pas être traités comme des déchets ménagers. Veuillez les recycler dans les installations prévues à cet effet.

Pour obtenir des conseils sur le recyclage, communiquez avec les services publics locaux ou avec votre revendeur.

Éliminez toujours les batteries en vous conformant aux réglementations fédérales, provinciales ou territoriales et locales.

Communiquez avec un organisme de recyclage de votre région pour obtenir la liste des sites de recyclage.

⚠ MISE EN GARDE! Même déchargée, une batterie emmagasine une certaine énergie. Avant de l'éliminer, utilisez du ruban isolant pour couvrir les bornes et empêcher ainsi la batterie de provoquer un court-circuit, ce qui pourrait causer un incendie ou une explosion.

⚠ AVERTISSEMENT! Pour réduire le risque de blessure ou d'explosion, ne jamais brûler ou incinérer une batterie, même si elle est endommagée, à plat ou complètement déchargée. En brûlant, des vapeurs et des matières toxiques sont émises dans l'atmosphère environnante.

- Les batteries varient selon le type d'outils ou de machines. Consulter le manuel pour des

- renseignements spécifiques.
- Le cas échéant, insérez uniquement des batteries neuves de même type dans l'outil ou la machine.
 - Si, en l'insérant, la polarité de la batterie n'est pas respectée, comme indiqué dans le compartiment à batterie ou dans le manuel, sa durée de vie pourrait être réduite ou elle pourrait fuir.
 - Ne pas mélanger des batteries anciennes et des neuves.
 - Ne pas mélanger des batteries alcalines, standard (carbone/zinc) ou rechargeables (au nickel-cadmium, au nickel-métal-hydrure ou au lithium-ion).
 - Ne jeter aucune batterie au feu. Les cellules de batterie peuvent exploser.
 - Les batteries doivent être recyclées ou éliminées en observant les directives provinciales ou territoriales et locales.

Pour expédier ou éliminer les batteries ou l'appareil sans fil, veillez à ce qu'ils soient emballés individuellement dans un sac en plastique pour empêcher les courts-circuits ou les incendies !

Consignes de sécurité spéciales

- Tenez l'outil électrique par les surfaces de préhension isolées uniquement, car la mèche à toupie peut entrer en contact avec son propre cordon. Couper un fil « sous tension » peut rendre « sous tension » les parties métalliques exposées de l'outil électrique et provoquer un choc électrique à l'opérateur.
- Utilisez des pinces ou un autre moyen pratique pour fixer et soutenir la pièce sur une plate-forme stable. Tenir la pièce à la main ou contre le corps la rend instable et peut entraîner une perte de contrôle.
- Avant de mettre la toupie électrique en marche, assurez-vous que la mèche à toupie est bien en place et fonctionne en douceur !
- N'utilisez jamais une mèche à toupie de mauvaise qualité ou endommagée.
- N'utilisez que des mèches à toupie dont le diamètre de la tige est conforme aux spécifications des instructions.
- La vitesse maximale spécifiée pour les mèches à toupie ne peut pas être dépassée.
- Ne coupez jamais des pièces métalliques, des vis, des clous, etc. Pour éviter d'endommager la toupie, assurez-vous qu'aucun corps étranger n'est collé à la pièce.
- Guidez toujours la toupie à deux mains.

- Laissez la toupie atteindre sa pleine vitesse avant de plonger la mèche à toupie dans la pièce.
- Si la toupie est obstruée par des débris de travail, éteignez-la. Laissez la toupie s'arrêter complètement. Retirez les débris avec un long bâton et non avec vos doigts.
- Laissez la toupie s'arrêter complètement avant de retirer la pièce ou de déposer l'outil.
- Coupez toujours en sens inverse.
- Attention au couple de réaction de l'outil, surtout si la toupie se coince.
- Lorsque vous avez terminé votre travail, remettez l'outil en position de départ.
- N'utilisez que des mèches à toupie correctement affûtées.
- Serrez la mèche à toupie par friction.
- Pour les coupes profondes, effectuez le travail en plusieurs étapes selon le matériau en question.
- N'utilisez que des mèches à toupie dont le diamètre de tige correspond à la pince de serrage intégrée.
- N'utilisez que des mèches à toupie adaptées à la vitesse de l'outil électrique.

CONSERVEZ CES INSTRUCTIONS

2. Description de l'appareil et contenu de l'emballage

2.1 Description de l'appareil

1. Unité de toupie sans fil
2. Bouton de déverrouillage/verrouillage
3. Interrupteur marche/arrêt
4. Cadran de réglage de la vitesse
5. Verrou de l'arbre
6. Écrou de la pince de serrage
7. Poignées
8. Vis de réglage de la butée d'arrêt
9. Échelle
10. Indicateur de profondeur
11. Écrou de fixation
12. Bouton de réglage rapide
13. Butée d'arrêt
14. Tige de butée
15. Garde de sécurité
16. Porte-guide
17. Boutons de verrouillage du porte-guide
18. Bouton de verrouillage du guide de bord
19. Levier de verrouillage de la base plongeante
20. Sortie de poussière de la base plongeante
21. Bouton de verrouillage de la sortie de poussière

22. Bouton de verrouillage de l'unité de toupie
23. Bouton de verrouillage de réglage en hauteur
24. Bouton de réglage en hauteur
25. Bouton de verrouillage du guide de bord (base fixe)
26. Sortie de poussière de la base fixe
27. Vis à tête fraisée pour sortie de poussière de la base fixe
28. Clés ouvertes
29. Guide de gabarit
30. Pince de serrage ¼"
31. Plaque de la base plongeante
32. Guide d'affleurage
- 32.1. Guide à rouleaux
- 32.2. Bouton de retenue
- 32.3. Bouton de réglage
33. Pointe circulaire
34. Guide de bord
- 34.1. Écrou papillon
35. Base plongeante
36. Base fixe
37. Lampe DEL
38. Échelle de la base fixe
39. Vis à tête fraisée
40. Plaque de la base fixe
41. Mèche à toupie (non fournie)
42. Batterie (non fourni)
43. Touche d'enclenchement
44. Témoin de charge de la batterie
45. Bouton de témoin de charge de la batterie

2.2 Contenu d'emballage

Veillez contrôler l'intégralité de l'article au moyen du contenu d'emballage décrit. En cas de pièces manquantes, veuillez contacter notre centre de service à la clientèle ou le point de vente où vous avez acheté l'appareil au plus tard dans les 5 jours ouvrables à compter de l'achat de l'article en présentant un ticket de caisse valable.

- Ouvrez l'emballage et retirez prudemment l'appareil.
- Enlevez le matériau d'emballage ainsi que les sécurités d'emballage et de transport (le cas échéant).
- Vérifiez l'intégralité du contenu d'emballage.
- Vérifiez si l'appareil et les accessoires présentent des dommages dus au transport.
- Si possible, conservez l'emballage jusqu'à l'expiration de la durée de garantie.

Danger !

L'appareil et le matériau d'emballage ne sont pas un jouet ! Les enfants ne doivent pas jouer avec des sachets en plastique, des

films ou de petites pièces ! Il existe le risque d'ingestion et de suffocation !

- Unité de toupie sans fil
- Base plongeante
- Base fixe
- Sorties de poussière (2x)
- Pointe circulaire
- Pince de serrage (1/4")
- Guide d'affleurage
- Guide de bord
- Clés ouvertes (2x)
- Guide de gabarit
- Garde de sécurité
- Mode d'emploi d'origine avec consignes de sécurité

Accessoires disponibles séparément

18V 1,5Ah PXC batterie Lithium-Ion
 18V 2,0Ah PXC batterie Lithium-Ion
 18V 2,5Ah PXC batterie Lithium-Ion
 18V 3,0Ah PXC batterie Lithium-Ion
 18V 4,0Ah PXC batterie Lithium-Ion
 18V 3,0Ah PXC Plus batterie Lithium-Ion
 18V 4,0Ah PXC Plus batterie Lithium-Ion
 18V 5,2Ah PXC Plus batterie Lithium-Ion
 18V 4,0Ah/6,0Ah PXC Plus batterie Lithium-Ion
 18V 5,0Ah/8,0Ah PXC Plus batterie Lithium-Ion
 18V PXC chargeur rapide à double raccord
 18V PXC chargeur rapide

Contactez votre détaillant pour les modèles plus spécifiques de batteries et de chargeurs disponibles dans votre région. Vous pouvez également explorer les options de batterie + chargeur sur Einhell.com.


3. Utilisation conforme

Cette toupie sans fil à base fixe et plongeante est conçue principalement pour l'usinage du bois et du plastique. Ses utilisations incluent la découpe de nœuds, la découpe de fentes, la formation d'évide-ments, la copie de courbes et de lettres, la coupe à ras, etc. Cette toupie sans fil avec base plongeante ne doit pas être utilisée pour l'usinage de métal, pierre, etc.

La machine ne doit être utilisée que conformément à sa destination. Toute autre utilisation dépassant ce cadre n'est pas conforme. C'est l'utilisateur / l'opérateur qui est responsable de tous les dommages ou blessures de toute nature

en résultant et non pas le fabricant.

4. Caractéristiques techniques

Alimentation du moteur : 18V 
 Vitesse sans charge : 10.000 – 30.000 tr/min
 Hauteur de course (profondeur) : ... 40 mm (1,58")
 Pince de serrage : Ø 6,35 mm (Ø 1/4")
 Diamètre max. de la
 mèche à toupie : 30 mm (1,18")
 Poids - Toupie avec base
 plongeante (outil seulement) : 2,4 kg (5,29 lb)
 Poids - Toupie avec base
 fixe (outil seulement) : 1,3 kg (2,87 lb)

Portez une protection auditive.

Le bruit peut provoquer une perte d'acuité auditive.

Limitez à un minimum l'émission de bruit et les vibrations !

- Utilisez uniquement des appareils irréprochables.
- Entretenez et nettoyez l'appareil régulièrement.
- Adaptez votre méthode de travail à l'appareil.
- Ne surchargez pas l'appareil.
- Faites examiner l'appareil le cas échéant.
- Éteignez l'appareil lorsqu'il n'est plus utilisé.
- Portez des gants.

Attention !

Risques résiduels

Il existe toujours des risques même si vous vous servez correctement de cet outil électrique. Les risques suivants peuvent se produire en rapport avec la structure et la réalisation de cet outil électrique :

1. Lésions pulmonaires, si vous ne portez pas de masque anti-poussières approprié.
2. Lésions auditives, si vous ne portez pas de protection auditive appropriée.
3. Dommages pour la santé résultant des vibrations mains-bras, si votre appareil est utilisé d'une manière prolongée ou tenu et entretenu de manière incorrecte.

Limitez la durée de travail.

À cet égard, toutes les parties du cycle de fonctionnement doivent être respectées (par exemple, les périodes pendant lesquelles l'outil électrique est éteint et celles pendant lesquelles il reste allumé mais fonctionne sans charge).

5. Avant la mise en service**Avertissement!****Retirez toujours la batterie avant d'effectuer des réglages sur l'équipement.**

Tous les plaques et dispositifs de sécurité doivent être correctement installés avant la mise en marche de l'équipement.

5.1 Montage des sorties de poussière (Fig. 2-3/Pos 20/26)

Attention ! Pour des raisons de santé et de sécurité, il est impératif d'utiliser un aspirateur ou un dépoussiéreur.

- Branchez votre outil sans fil à un aspirateur domestique ou à un dépoussiéreur à l'aide des sorties de poussière (20/26). Cela garantira une extraction optimale de la poussière de la pièce. Les avantages sont que vous protégez à la fois l'équipement et votre propre santé. Votre espace de travail sera également plus propre et plus sûr.
- La poussière créée lors du travail peut être dangereuse. Reportez-vous à la section intitulée « Consignes de sécurité ».
- L'aspirateur ou le dépoussiéreur que vous utilisez pour l'aspiration des poussières doit être adapté au matériau que vous usinez. Utilisez un aspirateur spécial si vous manipulez des matières nocives.

Toupie sans fil avec base plongeante (Fig. 3/Pos 20)

- Utilisez le crochet de retenue pour fixer la sortie de poussière (20) à la plaque (31) et fixez-la avec le bouton de verrouillage de la sortie de poussière (21).
- La sortie de poussière (20) peut être raccordée à un aspirateur avec un boyau d'aspiration (non fourni).
- Le diamètre intérieur de la sortie de poussière est de 1.42". Montez maintenant un boyau d'aspiration de taille adaptée à la sortie de poussière.

Toupie sans fil avec base fixe (Fig. 2/Pos 26)

- Fixez la sortie de poussière (26) à la base fixe (36) à l'aide de la vis à tête fraisée (27).
- La sortie de poussière (26) peut être raccordée à un aspirateur avec un boyau d'aspiration (non fourni).
- Le diamètre intérieur de la sortie de poussière est de 1.42". Montez maintenant un boyau d'aspiration de taille adaptée à la sortie de poussière.

5.2 Montage du garde de sécurité (Uniquement pour la toupie sans fil avec base plongeante !) (Fig. 5/Pos 15)

Montez le garde de sécurité (15) comme indiqué à la Fig. 1.

Pour retirer le garde de sécurité (15), tirez-le vers l'avant.

5.3 Montage du guide de bord (Fig. 6-7/Pos 34)**Toupie sans fil avec base plongeante**

- Insérez le porte-guide (16) dans les guides fournis sur la plaque (31) comme indiqué à la Fig. 1 et fixez-le avec les deux boutons de verrouillage du porte-guide (17).
- Dévissez le bouton de verrouillage du guide de bord (18) sur le porte-guide (16).
- Insérez le guide de bord (34) dans le porte-guide (16) comme illustré à la Fig. 6 et resserrez le bouton de verrouillage (18).
- Réglez le guide de bord (34) à la distance requise et fixez-le avec l'écrou papillon (34.1).

Toupie sans fil avec base fixe

- Dévissez le bouton de verrouillage du guide de bord (25).
- Insérez le guide de bord (34) sous le bouton de verrouillage (25) comme illustré à la Fig. 7 et resserrez le bouton de verrouillage (25).
- Réglez le guide de bord (34) à la distance requise et fixez-le avec l'écrou papillon (34.1).

5.4 Montage de la pointe circulaire (Fig. 8/Item 33)

- Vous pouvez découper des zones circulaires à l'aide de la pointe circulaire (33).
- Pour ce faire, desserrez l'écrou papillon (34.1) et retirez la partie avant du guide de bord (34).
- Installez la pointe circulaire (33) sur le guide de bord (34) comme illustré à la Fig. 8 à l'aide de l'écrou papillon et du boulon de carrosserie retirés précédemment. Montez maintenant

le guide de bord (34) avec la pointe circulaire (33) sur la base fixe, fixez-la en place avec le bouton de verrouillage du guide de bord (25).

- La procédure de montage est la même que celle décrite dans la section 5.3, sauf que le guide de bord (34) doit être tourné 180° de sorte que la pointe circulaire (33) pointe vers le bas (Fig. 8).
- Réglez le rayon requis entre la pointe circulaire (33) et la mèche à toupie.
- Positionnez la pointe circulaire (33) au centre du cercle que vous souhaitez découper.

5.5 Montage et utilisation du guide de gabarit (Seulement pour la toupie avec base fixe !) (Fig. 9-12/Pos 29)

- Retirez les quatre vis à tête fraisée (39) du bas de la base fixe et retirez la plaque (40) (Fig. 9).
- Insérez le guide de gabarit (29) comme indiqué à la Fig. 10.
- Remontez la plaque (40) à l'aide des quatre vis à tête fraisée (39).
- Le guide gabarit (29) sera guidé le long du gabarit (29.2) par la bague de guidage (29.1).
- Pour obtenir une copie exacte, la pièce (29.3) doit être plus grande de la différence entre le «bord extérieur de la bague de guidage» et le «bord extérieur de la mèche à toupie» (29.4).

5.6 Monter/retirer l'unité de toupie sans fil (Fig. 13-14)

Avertissement ! Retirez la batterie.

Toupie sans fil avec base plongeante

- Pour insérer l'unité de toupie sans fil (1) dans la base plongeante (35), desserrez d'abord le bouton de verrouillage (22) puis insérez l'unité de toupie sans fil (1).
- Resserrez le bouton de verrouillage (22).

Toupie sans fil avec base fixe

- Pour insérer l'unité de toupie sans fil (1) dans la base fixe (36), desserrez d'abord le bouton de verrouillage du réglage en hauteur (23) puis insérez l'unité de toupie sans fil (1).
- Utilisez ensuite le bouton de réglage en hauteur (24) et l'échelle (38) pour régler la profondeur de coupe requise.
- Resserrez le bouton de verrouillage (23).

5.7 Monter/retirer une mèche à toupie (Fig. 15- 19)

Avertissement ! Retirez la batterie.

Attention ! Lorsque vous avez fini de travailler avec la toupie, la mèche à toupie restera très chaude pendant un temps relativement long !

Attention ! Les mèches à toupie sont très tranchantes. Portez des gants de protection en tout temps lors de la manipulation des mèches à toupie.

- Pour faciliter le changement de la mèche à toupie, retirez l'unité de toupie sans fil (1) de la base respective comme décrit dans la section 5.6.
- Des mèches à toupie avec un diamètre d'arbre de ¼" peuvent être utilisées avec cette toupie sans fil.
- Vous pouvez utiliser des mèches à toupie faites des matériaux suivants :
 - **AHV** - adapté à la coupe de bois tendre.
 - **TCT** - convient à la coupe de bois dur, de panneaux de particules et de plastique.
- Sélectionnez la mèche à toupie appropriée pour le travail en cours.
- Lors de la première utilisation d'une mèche à toupie : retirez l'emballage en plastique de la tête de mèche à toupie.
- Nettoyez l'écrou, la pince de serrage et la tige de la mèche à toupie avant de la monter.
- Dévisser l'écrou de la pince de serrage (6) à l'aide des deux clés ouvertes (28).
- Si une mèche à toupie est déjà montée dans la pince de serrage (30), retirez-la.
- Sélectionnez la mèche à toupie appropriée pour le travail en cours.
- Insérez la pince de serrage (30) dans l'arbre (Fig. 16).
- Réinstallez l'écrou (6) (Fig. 17).
- Guidez l'arbre de la mèche à toupie dans la pince de serrage (Fig. 18).
- Tout en maintenant le verrou de l'arbre (5) en position enfoncée, serrez à la main l'écrou de la pince de serrage (6) (Fig. 18).
- **Avis!**
Le blocage de l'arbre ne doit pas être utilisé pour le serrage avec la clé ouverte (28) !
- Serrez l'écrou de la pince de serrage (6) à l'aide des deux clés ouvertes (28).
- La mèche à toupie doit être insérée dans la pince de serrage (30) d'au moins ¾".
- Avant d'utiliser l'équipement, vérifiez que mèche à toupie est sécurisée et fonctionne correctement.

5.8 Ajustement de la butée d'arrêt (Fig. 20/ Pos 13)

La butée d'arrêt (13) est réglable en hauteur selon les besoins. Pour ce faire, utilisez une clé hexagonale pour régler la hauteur de chaque vis de la butée d'arrêt (13) à la hauteur de butée souhaitée.

Avertissement ! Retirez les outils de réglage et de montage avant de démarrer la machine.

5.9 Montage/démontage du guide d'affleurage (Fig. 23/Item 32)

- Desserrez le bouton de verrouillage du guide de bord (25), insérez le guide d'affleurage (32) comme indiqué à la Fig. 23 et établissez la hauteur appropriée.
- Resserrez le bouton de verrouillage (25).
- Utilisez maintenant le bouton de réglage (32.3) pour régler l'entraînement latéral requis et utilisez le bouton de retenue (32.2) pour fixer le guide d'affleurage.

6. Fonctionnement

Avertissement !

Lorsque vous utilisez la toupie avec la base fixe, vous devez vous assurer de saisir la toupie aussi loin que possible vers le haut. Pour réduire le risque de blessure, la distance entre votre main et le bord supérieur du support du guide de bord ne doit pas être inférieure à 17 mm ($\frac{1}{16}$ "!) (Voir fig. 27).

- N'utilisez jamais une mèche à toupie de mauvaise qualité ou endommagée. Utilisez uniquement des mèches à toupie avec un diamètre de tige de $\frac{1}{4}$ ". Les mèches à toupie doivent également être conçues pour la vitesse sans charge respective.
- Fixez la pièce à usiner de manière qu'elle ne puisse pas être projetée dans les airs pendant que vous travaillez dessus. Utilisez des pinces ou un étau.
- Ne coupez jamais des pièces métalliques, des vis, des clous, etc.

6.1 Interrupteur marche/arrêt (Fig. 1/Pos 3) Pour des raisons de sécurité, la toupie sans fil est équipée d'un verrouillage de sécurité.

- Pour mettre en marche, appuyez sur le bouton de déverrouillage/verrouillage (2). Les lampes DEL (37) s'allumeront en guise de confirmation.

- Appuyez maintenant sur l'interrupteur marche/arrêt (3) dans les 10 secondes suivantes.
- Si l'interrupteur marche/arrêt n'est pas enfoncé pendant plus de 10 secondes, les lampes DEL (37) s'éteignent et l'équipement ne peut pas être mis en marche.
- Pour éteindre, appuyez sur le bouton de déverrouillage/verrouillage (2) ou sur l'interrupteur marche/arrêt (3).

6.2 Cadran de réglage de la vitesse (Fig. 20/ Pos 4)

La vitesse la plus appropriée dépend du matériau que vous souhaitez couper et du diamètre de la mèche à toupie. Utilisez le cadran de réglage de la vitesse (4) pour sélectionner une vitesse entre 10.000 et 30.000 tr/min. Vous pouvez choisir parmi 6 positions de vitesses différentes.

Les vitesses dans les différentes positions du cadran sont les suivantes:

Position 1 : env. 10.000 tr/min (vitesse minimale)

Position 2 : env. 14.000 tr/min

Position 3 : env. 19.000 tr/min

Position 4 : env. 22.000 tr/min

Position 5 : env. 25.000 tr/min

Position 6 : env. 30.000 tr/min (vitesse maximale)

Pour augmenter la vitesse:

Déplacez le cadran de réglage de la vitesse (4) vers la gauche pour augmenter la vitesse.

Pour diminuer la vitesse:

Déplacez le cadran de réglage de la vitesse (4) vers la droite pour diminuer la vitesse.

6.3 Réglage de la profondeur (Uniquement pour la toupie sans fil avec base plongeante !) (Fig. 20)

- Placez la machine sur la pièce à usiner.
- Dévissez l'écrou de fixation (11) et le levier de verrouillage (19).
- Déplacez lentement la machine vers le bas et appuyez sur le bouton de réglage rapide (12) jusqu'à ce que la mèche à toupie entre en contact avec la pièce.
- Serrez le levier de verrouillage (19).
- Réglez la vis de réglage de la butée d'arrêt (8) en conséquence à 0.
- Réglez la butée d'arrêt (13) de sorte que la tige de butée (14) se trouve au-dessus de la butée d'arrêt (13) réglée la plus basse.
- Appuyez sur le bouton de réglage rapide (12) pour abaisser la tige de butée (14) jusqu'à

ce qu'elle touche la butée d'arrêt (13). Serrez ensuite l'écrou de fixation (11) et relâchez le levier de verrouillage (19).

- Réglez l'indicateur de profondeur (10) sur le point zéro de l'échelle (9).
- Dévissez le l'écrou de fixation (11). Remontez la tige de butée (14) jusqu'à ce que l'indicateur (10) indique la profondeur requise sur l'échelle (9). Resserrez l'écrou de fixation (11).
- Vérifiez le réglage en effectuant une coupe d'essai sur une pièce de rebut.
- La profondeur peut maintenant être ajustée avec précision. Commencez par tourner la vis de réglage de la butée d'arrêt (8) à la distance requise.

Tournez la vis de réglage de la butée d'arrêt (8) dans le sens antihoraire : la profondeur augmente.

Tournez la vis de réglage de la butée d'arrêt (8) dans le sens horaire : la profondeur diminue.

Tourner la vis de réglage de la butée d'arrêt (8) d'un incrément équivaut à modifier la profondeur de 0.004" ; un tour complet équivaut à 0.04".

6.4 Toupillage

Toupie sans fil avec base plongeante

- Pour éviter d'endommager la toupie, assurez-vous qu'aucun corps étranger n'est fixé à la pièce à usiner.
- Tenez les deux poignées de la base plongeante (7).
- Placez la toupie sans fil avec base plongeante sur la pièce à usiner.
- Réglez la profondeur comme expliqué dans la section 6.3.
- Sélectionnez la vitesse comme expliqué dans la section 6.2 et allumez l'équipement (voir section 6.1).
- Vérifiez les réglages de l'équipement sur une pièce de rebut.
- Laissez l'équipement atteindre sa pleine vitesse. Ce n'est qu'alors que vous devez abaisser la mèche à toupie à sa hauteur de travail et verrouiller l'équipement avec le levier de verrouillage (19).

Toupie sans fil avec base fixe

- Pour éviter d'endommager la toupie, assurez-vous qu'aucun corps étranger n'est fixé à la pièce à usiner.

- Tenez la poignée de la toupie.
- Placez la toupie sans fil avec base fixe sur la pièce à usiner.
- Réglez la profondeur comme expliqué dans la section 5.6.
- Sélectionnez la vitesse comme expliqué dans la section 6.2 et allumez l'équipement (voir section 6.1).
- Vérifiez les réglages de l'équipement sur une pièce de rebut.
- Laissez l'équipement atteindre sa pleine vitesse.

Direction de coupe : L'outil de coupe tourne dans le sens horaire. Pour éviter les accidents, vous devez toujours couper dans le sens de rotation de l'outil (Fig. 21).

Vitesse d'avance : Il est très important d'usiner la pièce à la bonne vitesse d'avance. Avant d'usiner la pièce, nous vous recommandons d'effectuer plusieurs coupes d'essai sur une pièce de rebut du même matériau. C'est le moyen le plus simple de trouver la meilleure vitesse de travail pour la pièce à usiner.

Vitesse d'avance trop faible :

La mèche à toupie peut surchauffer. Si vous coupez des matériaux inflammables tels que du bois, la pièce peut s'enflammer.

Vitesse d'avance trop vite :

La mèche à toupie pourrait s'endommager. Qualité de coupe : rugueuse et inégale.

Laissez la mèche à toupie s'arrêter complètement avant de retirer la pièce ou de poser la toupie.

6.5 Toupillage étape par étape

Toupillage étape par étape lors du traitement de matériaux durs et de la réalisation de coupes profondes.

- Réglez la butée d'arrêt comme expliqué dans la section 5.8.
- Pour effectuer le toupillage en plusieurs étapes, vous devez ensuite régler la profondeur comme expliqué dans la section 6.3 avant de tourner la butée d'arrêt (13) de sorte que la tige de butée (14) se trouve au-dessus de la butée d'arrêt (13) la plus haute.
- Effectuez maintenant une coupe avec ce réglage. Lorsque la première coupe est terminée, réglez la butée d'arrêt (13) de sorte que la tige de butée (14) se trouve au-dessus de la butée d'arrêt du centre. Maintenant, effec-

- tuez également une coupe avec ce réglage.
- Finalement, réglez la butée d'arrêt la plus basse et terminez la coupe.

6.6 Découpage de cercles avec la pointe circulaire (33)

Procédez comme suit pour découper des cercles autour d'un point central:

- Montez et ajustez le point circulaire (33) comme expliqué dans la section 5.4.
- Placez la pointe circulaire (33) sur le point central du cercle que vous souhaitez découper et enfoncez-la en place.
- Effectuez la coupe comme décrit dans la section 6.4.

6.7 Effectuer des coupes avec le guide de bord (34)

Procédez comme suit pour couper le long d'un bord extérieur droit d'une pièce:

- Montez le guide de bord (34) comme expliqué dans la section 5.3.
- Déplacez le guide de bord (34) le long du bord extérieur de la pièce.
- Effectuez la coupe comme expliqué dans la section 6.4.

6.8 Faire des coupes à main libre

La toupie sans fil peut également être utilisée sans guides. Vous pouvez l'utiliser à main libre pour des travaux créatifs tels que la production de lettrage.

- Utilisez un réglage de mèche à toupie très plat !
- Vérifiez le sens de rotation de la mèche à toupie pendant que vous usinez la pièce (Fig. 21).

6.9 Couper des formes et des bords (Fig. 22)

- Des mèches à toupie spéciales avec bague de guidage peuvent être utilisées pour couper des formes (41.1) et des bords (41.2).
- Montez la mèche à toupie.
- Déplacez avec précaution la machine contre la pièce à usiner.
- En exerçant une légère pression, déplacez le tourillon de guidage ou le roulement à billes (41.3) le long de la pièce.

Toupie sans fil avec base fixe

Avec l'aide du guide d'affleurage (32), vous pouvez également effectuer des coupes de bord.

- Montez le guide d'affleurage (32) comme expliqué dans la section 5.9.

- Placez la toupie sans fil avec base fixe sur la pièce à usiner et réglez la hauteur du guide d'affleurage (32) de manière à ce que le roulement à billes (32.1) se trouve sous mèche à toupie.
- Desserrez maintenant le bouton de retenue (32.2) et utilisez ensuite le bouton de réglage (32.3) pour régler l'avance latérale de la mèche à toupie.
- Resserrer le bouton de retenue (32.2).

Avertissement :

Pour les coupes profondes, effectuez le travail en plusieurs étapes selon le matériau en question. Tenez l'équipement à deux mains pendant tous les travaux de coupe.

6.10 Chargement de la batterie au Lithium-ion (non inclus)

Vous trouverez les instructions correspondantes dans le mode d'emploi d'origine de votre chargeur.

6.11 Affichage de la capacité de la batterie (image 26/Pos. 44)

Appuyez sur l'interrupteur de l'affichage de la capacité de la batterie (45). L'affichage de la capacité de la batterie (44) signale l'état de charge de la batterie au moyen de 3 DEL.

Les 3 DEL s'allument:

La batterie est complètement chargée.

2 ou 1 DEL s'allument:

La batterie a une charge résiduelle suffisante.

1 DEL clignote:

La batterie est déchargée, chargez la batterie.

Tous les voyants clignotent :

La température de la batterie est trop basse. Retirez la batterie de l'appareil, laissez-la à température ambiante pendant une journée. Si le défaut se reproduit, cela signifie que la batterie rechargeable a subi une décharge complète et est défectueuse. Retirez la batterie de l'équipement. N'utilisez ou ne chargez jamais une batterie défectueuse.

7. Nettoyage et entretien

Danger !

Avant tout travail de nettoyage, retirez la batterie de l'appareil.

7.1 Nettoyage

- Maintenez les dispositifs de protection, les fentes d'aération et les carters de moteur aussi exempt de poussières et de saletés que possible. Frottez l'appareil avec un linge propre et nettoyez-le à l'air comprimé à basse pression.
- Nous recommandons de nettoyer l'appareil directement après chaque utilisation.
- Nettoyez l'appareil régulièrement avec un linge humide et un peu de savon doux. N'utilisez pas de détergeant ni de solvants ; ils peuvent détériorer les éléments en plastique de l'appareil. Veillez à ce que l'eau ne puisse pas pénétrer à l'intérieur de l'appareil. La pénétration de l'eau dans un appareil électrique augmente le risque d'une électrocution.

7.2 Entretien

L'intérieur de l'appareil ne contient pas de pièces exigeant un entretien.

8. Élimination et recyclage

L'appareil se trouve dans un emballage pour empêcher les dommages dus au transport. Cet emballage constitue une matière première et peut par conséquent être réutilisé ou peut être recyclé. L'appareil et ses accessoires sont fabriqués à partir de différents produits, comme par exemple le métal et les matières plastiques. Ne jetez pas les appareils défectueux dans les déchets ménagers. Pour être éliminé de façon appropriée, l'appareil devrait être déposé à un lieu de collecte approprié. Si vous ne connaissez aucun lieu de collecte, informez-vous auprès de l'administration municipale.

9. Entreposage

Entreposez l'appareil et ses accessoires dans un endroit sombre, sec et exempt de gel ainsi que hors la portée des enfants. La température d'entreposage optimale se situe entre 41 °F et 86 °F (5 °C et 30 °C). Entreposez l'outil électrique dans l'emballage d'origine.

Une réimpression ou toute autre reproduction de la documentation et des documents accompagnant les produits, même par extraits, ne sont autorisées qu'avec accord exprès d'Einhell Germany AG.

Sous réserve des modifications techniques.



Peligro! - Leer el manual de instrucciones para reducir cualquier riesgo de sufrir daños



Cuidado! Usar **protección para los oídos**. La exposición al ruido puede ser perjudicial para el oído.



Cuidado! Es preciso ponerse una **mascarilla de protección**. Puede generarse polvo dañino para la salud cuando se realicen trabajos en madera o en otros materiales. ¡Está prohibido trabajar con material que contenga asbesto!



Cuidado! Llevar **gafas de protección**. Durante el trabajo, la expulsión de chispas, astillas, virutas y polvo por el aparato pueden provocar pérdida de vista.



Almacenamiento de las baterías sólo en espacios secos con una temperatura ambiente de 50°F to 104°F (+10°C to +40°C). Guardar las baterías únicamente cuando estén cargadas (mín. al 40%).

Peligro!

Al usar aparatos es preciso tener en cuenta una serie de medidas de seguridad para evitar lesiones o daños. Por este motivo, es preciso leer atentamente este manual de instrucciones/advertencias de seguridad. Guardar esta información cuidadosamente para poder consultarla en cualquier momento. En caso de entregar el aparato a terceras personas, será preciso entregarles, asimismo, el manual de instrucciones/advertencias de seguridad. No nos hacemos responsables de accidentes o daños provocados por no tener en cuenta este manual y las instrucciones de seguridad.

1. Instrucciones de seguridad**Peligro!**

Lea todas las instrucciones de seguridad e indicaciones. El incumplimiento de dichas instrucciones e indicaciones puede provocar descargas, incendios y/o daños graves. **Guarde todas las instrucciones de seguridad e indicaciones para posibles consultas posteriores.**

Instrucciones generales de seguridad para herramientas eléctricas

El término de "herramienta eléctrica" que se usa en las instrucciones de seguridad se refiere a las herramientas que funcionan en red (con cable de conexión) y con batería (sin cable de conexión).

1. Seguridad en el lugar de trabajo

- a) **Mantener limpia y bien iluminada la zona de trabajo.** *Las zonas de trabajo desordenadas o sin luz pueden conllevar accidentes.*
- b) **No trabajar con este aparato eléctrico en un entorno explosivo en el que se hallen líquidos, gases o polvos inflamables.** *Las herramientas eléctricas generan chispas que pueden inflamar el polvo o los vapores.*
- c) **Mantener alejados a niños y a otras personas fuera del alcance de la herramienta eléctrica.** *Las distracciones pueden hacer perder el control sobre el aparato.*

2. Seguridad eléctrica

- a) **El enchufe del aparato eléctrico debe ser el adecuado para la toma de corriente. El enchufe no debe ser modificado de ningún modo. No emplear adaptadores de enchufe con aparatos eléctricos puestos a tierra.** *Los enchufes sin modificar y las*

tomas de corriente adecuadas reducen el riesgo de una descarga eléctrica.

- b) **Evitar el contacto corporal con superficies con toma de tierra como tubos, calefacciones, fogones y frigoríficos.** *Existe un gran riesgo de descarga eléctrica si su cuerpo se halla puesto a tierra.*
 - c) **Mantener los aparatos eléctricos alejados de la lluvia o la humedad.** *Si entra agua en el aparato eléctrico existirá mayor riesgo de una descarga eléctrica.*
 - d) **No utilizar el cable de forma inadecuada, no utilizarlo para transportar el aparato, colgarlo o retirarlo de la toma de corriente. Mantener el cable alejado del calor, aceites, cantos afilados o partes del aparato en movimiento.** *Los cables dañados o mal enrollados aumentan el riesgo de descarga eléctrica.*
 - e) **Si se trabaja con una herramienta eléctrica al aire libre, emplear sólo alargaderas que también sean adecuadas para el exterior.** *El empleo de una alargadera apropiada para trabajos en el exterior reduce el riesgo de descarga eléctrica.*
 - f) **Si no se puede evitar tener que utilizar la herramienta eléctrica en un entorno húmedo, utilizar un dispositivo de protección diferencial.** *El uso de un dispositivo de protección diferencial reduce el riesgo de sufrir una descarga eléctrica.*
- 3. Seguridad de personas**
- a) **Prestar atención al trabajo, comprobar lo que se está haciendo y proceder de forma razonable durante el trabajo de una herramienta eléctrica. No emplear la herramienta eléctrica si se está cansado o bajo la influencia de drogas, alcohol o medicamentos.** *Una mínima falta de atención durante el uso de la herramienta eléctrica puede causar lesiones graves.*
 - b) **Llevar equipo de protección personal. Llevar siempre gafas protectoras.** *El equipo de protección (como mascarilla antipolvo, calzado de seguridad antideslizante, casco o protección auditiva) usado en las condiciones adecuadas sirve para reducir las lesiones personales.*
 - c) **Prevenir un arranque no intencionado. Asegurarse de que el interruptor se encuentre en la posición OFF antes de conectar la herramienta a la fuente eléctrica y/o BATERÍA, alzarla o transportarla.** *El transporte de herramientas eléctricas con el*

dedo en el interruptor o la activación de herramientas eléctricas con el interruptor en ON puede provocar accidentes.

- d) **Retirar las herramientas de ajuste o la llave antes de conectar la herramienta eléctrica.** *Una herramienta o llave que se haya olvidado en partes giratorias del aparato puede producir lesiones.*
 - e) **Evitar trabajar en una posición corporal inadecuada. Adoptar una posición segura y mantener en todo momento el equilibrio.** *Ello permite controlar mejor la herramienta eléctrica en situaciones inesperadas.*
 - f) **Llevar ropa de trabajo adecuada. No llevar ropa holgada ni joyas durante el trabajo. Mantener el cabello, la ropa y los guantes alejados de las piezas en movimiento.** *La ropa holgada, las joyas o los cabellos largos pueden ser atrapados por las piezas en movimiento.*
 - g) **Si el aparato permite instalar dispositivos de aspiración y recogida del polvo, es preciso asegurarse de que estén conectados y se empleen de forma correcta.** *La utilización de un aspirador de polvo puede reducir los peligros provocados por el mismo.*
 - h) **A pesar de estar muy familiarizado con el uso de las herramientas, no confiarse en exceso ni ignorar las normas de seguridad de la herramienta.** *Un descuido puede conllevar una lesión grave en milésimas de segundo.*
- 4. Empleo y tratamiento de la herramienta eléctrica**
- a) **No sobrecargar el aparato. Usar la herramienta eléctrica específica para cada trabajo.** *Con la herramienta eléctrica adecuada se trabaja mejor y con más seguridad permaneciendo dentro de la potencia indicada.*
 - b) **No usar ninguna herramienta eléctrica cuyo interruptor esté defectuoso.** *Una herramienta eléctrica que ya no pueda conectarse o desconectarse conlleva peligros y debe repararse.*
 - c) **Desconectar el enchufe de la toma de corriente y/o retirar la batería, si es desmontable, de la herramienta eléctrica antes de realizar cualquier ajuste, cambiar accesorios o almacenarla.** *Este tipo de medidas de seguridad preventivas sirve para reducir el riesgo de poner en marcha la herramienta eléctrica de manera involuntaria.*
 - d) **Guardar las herramientas eléctricas que no se usen fuera del alcance de los niños.**

No permitir el uso del aparato a personas que no estén familiarizadas con él o no hayan leído estas instrucciones. *Las herramientas eléctricas son peligrosas si las usan personas sin experiencia.*

- e) **Realizar el mantenimiento de las herramientas eléctricas y los accesorios. Comprobar que las piezas móviles no estén desajustadas ni atascadas, que las piezas no presenten rotura ni otras condiciones que puedan afectar al funcionamiento de la herramienta eléctrica.** *En caso de que la herramienta eléctrica esté dañada, es preciso que sea reparada antes de utilizarla de nuevo.* *Muchos accidentes se provocan a causa de un mantenimiento deficiente de la herramienta eléctrica.*
 - f) **Mantener limpias y afiladas las herramientas de corte.** *Las herramientas de corte bien cuidadas con cantos afilados se bloquean con menor frecuencia y pueden manejarse de forma más sencilla.*
 - g) **Respetar estas instrucciones cuando se desee utilizar la herramienta eléctrica, los accesorios, piezas de recambio, etc. Para ello, tener en cuenta las condiciones de trabajo y la tarea a ejecutar.** *El uso de herramientas eléctricas para otros fines diferentes a los previstos puede originar situaciones peligrosas.*
 - h) **Mantener asas y empuñaduras secas, limpias y libres de aceite y grasa.** *Las asas y empuñaduras resbaladizas impiden manejar con seguridad y controlar la herramienta en situaciones inesperadas.*
- 5. Empleo y tratamiento de la herramienta eléctrica**
- a) **Cargar la batería sólo en cargadores recomendados por el fabricante.** *Existe el peligro de incendio si se utiliza un cargador, indicado sólo para un tipo concreto de baterías, para otro tipo de baterías.*
 - b) **Utilizar sólo las baterías indicadas para la herramienta eléctrica en cuestión.** *El uso de otras baterías puede provocar daños y conllevar peligro de incendio.*
 - c) **Mantener cualquier batería que no se esté utilizando alejada de grapas, monedas, llaves, clavos, tornillos u otros objetos metálicos pequeños que podrían provocar un puenteo de los contactos.** *Un cortocircuito entre los contactos de la batería puede tener como consecuencia quemaduras o provocar fuego.*

- d) **Si se utiliza incorrectamente podría salir líquido de la batería. Evitar el contacto con el líquido. En caso de tocar accidentalmente el líquido, lavar la zona afectada con agua. Si el líquido penetra en los ojos, acudir a un médico. El líquido de la batería puede provocar irritaciones en la piel o quemaduras.**
- e) **No utilizar BATERÍAS ni herramientas que estén dañadas o modificadas. Las baterías dañadas o modificadas pueden manifestar comportamientos impredecibles que pueden dar lugar a incendio, EXPLOSIÓN o riesgo de lesión.**
- f) **No exponer una BATERÍA ni herramienta al fuego o a una temperatura excesiva. La exposición al fuego o a una temperatura superior a los 266°F (130°C) puede provocar una explosión.**
- g) **Seguir todas las instrucciones de carga y no cargar la BATERÍA ni herramienta fuera del margen de temperatura especificado en las instrucciones. Una carga inadecuada o a temperaturas fuera del margen especificado puede dañar la batería e incrementar el riesgo de incendio.**
- 6. Servicio**
- a) **Sólo especialistas cualificados deben reparar la herramienta eléctrica, empleando para ello únicamente piezas de repuesto originales. Esta forma de proceder garantiza la seguridad de la herramienta eléctrica.**
- b) **No reparar nunca BATERÍAS dañadas. La reparación de las BATERÍAS dañadas solo la puede llevar a cabo el fabricante o un distribuidor autorizado.**

Instrucciones de seguridad especiales

Con el fin de ofrecerte baterías con la máxima densidad de energía, larga duración y seguridad, prestamos el mayor cuidado en su montaje. Las celdas de la batería disponen de dispositivos de seguridad de varios niveles. En primer lugar se asigna el formato a cada celda y se registran sus características eléctricas. A continuación, estos datos se utilizan para agrupar las celdas y crear la mejores baterías. **A pesar de todas las medidas de seguridad, siempre es necesario tener precaución al utilizar baterías. Para un funcionamiento seguro es obligatorio tener en cuenta los siguientes puntos. ¡El funcionamiento seguro sólo está garantizado si las celdas no están dañadas! Un manejo inadecuado puede dañar las celdas.**

¡Atención! Los análisis confirman que un uso y un cuidado inadecuados son la principal causa de los daños provocados por baterías de alta potencia.

Advertencias sobre la batería

1. La batería del aparato no se suministra cargada. Antes de la primera puesta en marcha, es preciso recargarla por completo.
2. ¡Para que la batería trabaje de forma óptima evitar ciclos de descarga prolongados! Recargar la batería con frecuencia.
3. Guardar la batería en un lugar fresco, lo ideal son 59°F (15°C), y como mínimo cargada al 40%.
4. Las baterías de iones de litio están sujetas a un desgaste natural. ¡La batería debe ser sustituida como muy tarde cuando su rendimiento sea menor al 80% respecto a su estado cuando era nueva! Las celdas deterioradas de un conjunto de baterías envejecido no cumplen con los altos requisitos de rendimiento, representando un riesgo para la seguridad.
5. No tirar las baterías usadas al fuego. ¡Peligro de explosión!
6. No prender la batería ni exponerla al fuego.
7. **¡Evitar una descarga total de las baterías!** Este tipo de descarga daña las celdas de la batería. La causa más frecuente de la descarga total de la batería es el largo almacenamiento o la no utilización de baterías parcialmente descargadas. Terminar el trabajo en cuanto se aprecie que la potencia disminuye o se activa el sistema electrónico de protección. Almacenar la batería sólo tras haberla cargado completamente.
8. **¡Proteger las baterías y el aparato contra sobrecarga!** La sobrecarga conduce rápidamente a un sobrecalentamiento y daño de las celdas del interior de la carcasa de batería, sin que el sobrecalentamiento se perciba externamente.
9. **¡Evitar daños y golpes!** Sustituir inmediatamente las baterías que hayan caído desde una altura superior a un metro o que hayan sufrido golpes fuertes, incluso aunque la carcasa de la batería no parezca dañada. Las celdas que se encuentren en su interior podrían estar gravemente dañadas. Tener en cuenta también las indicaciones de eliminación.
10. En caso de sobrecarga y sobrecalentamiento, el circuito de protección integrado desconecta el aparato por motivos de seguridad.

¡Atención! Dejar de pulsar el interruptor On/Off cuando el circuito de protección haya desconectado el aparato. Podría dañar la batería.

11. Utilizar exclusivamente baterías originales. El uso de otras baterías puede provocar daños, así como explosión y peligro de incendio.
12. **Proteger la batería de la humedad, la lluvia y la humedad ambiental elevada.** La humedad, la lluvia y la humedad ambiental elevada pueden provocar daños peligrosos en las celdas. No cargar ni trabajar nunca con baterías que hayan estado expuestas a la humedad, la lluvia o humedad ambiental elevada, ¡reemplazarlas de inmediato!
13. Si el aparato está dotado de una batería extraíble, por motivos de seguridad será preciso extraerla una vez finalizado el trabajo.

Advertencias sobre el cargador y el proceso de carga

1. Observar los datos indicados en la placa de identificación del cargador. Conectar el cargador sólo a la tensión nominal indicada en la placa de características.
2. Proteger el cargador y el cable de daños y cantos afilados. Los cables dañados deben ser cambiados exclusivamente por un electricista profesional.
3. Mantener el cargador, las baterías y el aparato fuera del alcance de niños.
4. No emplear cargadores dañados.
5. No emplear el cargador suministrado para cargar otros aparatos a batería.
6. La batería se calienta bajo condiciones extremas de aplicación. Dejar que la batería se enfríe hasta alcanzar la temperatura ambiental antes de empezar a cargar.
7. **¡No cargar demasiado las baterías!** Respetar los tiempos de carga máximos. Estos tiempos de carga se aplican únicamente a baterías descargadas. Si una batería cargada o parcialmente cargada se conecta varias veces al cargador se produce una sobrecarga y un daño de las celdas. No deje las baterías en el cargador por más de 48 horas.
8. **No utilizar ni cargar nunca baterías si se tiene la sospecha de que la última carga de la batería puede haberse realizado hace más de 12 meses.** Existe una alta probabilidad de que la batería ya esté gravemente dañada (descarga total).
9. Cargar la batería a una temperatura de menos de 50°F (10°C) provoca daños químicos en las celdas y puede conllevar peligro de

incendio.

10. No utilizar baterías que se hayan calentado durante la carga, ya que sus celdas podrían dañarse peligrosamente.
11. Dejar de usar baterías que se hayan deformado o abombado durante la carga, o aquellas que presenten síntomas inusuales (desprendimiento de gases, zumbidos, chasquidos,...)
12. No descargar la batería por completo (nivel de descarga recomendado: máx. 80%). La descarga total provoca un envejecimiento prematuro de las celdas de la batería.
13. ¡No cargar nunca las baterías sin supervisión!

Protección contra influencias ambientales

1. Ponerse ropa de trabajo adecuada. Ponerse gafas de protección.
2. **Proteger el aparato y el cargador de la humedad y la lluvia.** Éstas podrían provocar daños peligrosos en las celdas.
3. No utilizar el aparato y el cargador cerca de vapores y líquidos inflamables.
4. Utilizar el cargador y el aparato a batería sólo si están secos y a una temperatura ambiente de 50°F-104°F (10-40 °C).
5. No guardar la batería en lugares que puedan alcanzar una temperatura superior a 104°F (40 °C), especialmente no en un vehículo aparcado al sol.
6. **¡Proteger las baterías contra un sobrecalentamiento!** La sobrecarga, carga excesiva o la radiación solar conducen a un sobrecalentamiento y al daño de las celdas. No cargar ni trabajar en ningún caso con baterías que se hayan sobrecalentado. Sustituirlas inmediatamente.
7. **Almacenamiento de baterías, cargadores y del aparato.** Guardar siempre el cargador y el aparato en habitaciones secas con una temperatura ambiente de 50°F-104°F (10-40°C). Guardar la batería de iones de litio en un lugar fresco y seco a 50°F-68°F (10-20°C). ¡Proteger de la humedad ambiental y de la radiación solar! Guardar las baterías únicamente cuando estén cargadas (mín. al 40%).
8. Evitar que la batería de iones de litio se hielan. Deshacerse de las baterías que hayan estado guardadas a 32°F (0°C) durante más de 60 minutos.
9. Llevar cuidado con la carga electrostática al manipular baterías: las descargas electrostáticas provocan daños en el sistema electrónico de protección y las celdas de la batería. ¡Evitar por ello la carga electrostática y no tocar nunca los polos de la batería!

Precaución y eliminación de la batería

Eliminación

Si su artefacto necesita ser reemplazado luego de un uso prolongado, no lo arroje a la basura doméstica. Hágalo de una forma ecológica y segura.



Los desechos producidos por máquinas eléctricas no deben ser manipulados como basura doméstica común. Recíclelos donde hayan emplazamientos de reciclaje.

Consulte con las autoridades o tienda minorista de su localidad para obtener información sobre reciclaje.

Deshágase de su batería de acuerdo con los reglamentos federales, estatales y locales. Para encontrar lugares de reciclaje, comuníquese con un servicio de reciclaje en su localidad.

⚠ ¡PRECAUCIÓN! Incluso las baterías descargadas contienen algo de energía. Antes de deshacerse de éstas, use cinta aislante para cubrir los terminales y evitar que la batería haga cortocircuito, lo cual puede causar una explosión o incendio.

⚠ ¡ADVERTENCIA! Para reducir el riesgo de lesiones personales o explosión, nunca queme o incinere una batería incluso si está dañada, inservible o completamente descargada. Al ser quemada, los humos y materiales tóxicos son emitidos a la atmósfera circundante.

1. Las baterías varían de acuerdo al dispositivo. Consulte su manual para obtener la información específica.
2. Instale solo nuevas baterías del mismo tipo en su producto (donde corresponda).
3. No insertar las baterías con la polaridad correcta, tal como se indica en el compartimiento de la batería o en el manual, puede reducir el ciclo de vida útil de las baterías o causar fugas en las baterías.
4. No combine baterías nuevas con antiguas.
5. No combine baterías alcalinas, estándar (de zinc-carbono) o recargables (de níquel-cadmio, de níquel-hidruro metálico o de iones de litio).
6. No arroje las baterías al fuego. Pueden llegar a explotar.
7. Las baterías deben ser recicladas o desechadas según los reglamentos locales y estatales.

Para el envío o la eliminación de baterías o del aparato, estos deben embalarse por separado en bolsas de plástico para evitar cortocircuitos o incendios.

Instrucciones especiales de seguridad

- **Sujetar la herramienta eléctrica únicamente por las empuñaduras aisladas, puesto que la fresa podría entrar en contacto con el propio cable de conexión.** El contacto con un cable de corriente puede electrificar las piezas metálicas del aparato o provocar una descarga eléctrica.
- **Fijar y asegurar la pieza a una base estable utilizando tornillos de banco u otros medios de fijación.** Si se sujeta la pieza solo con la mano o contra el propio cuerpo, la pieza no permanece estable y se puede producir una pérdida de control.
- Antes de la puesta en marcha, comprobar que las herramientas estén bien sujetas y funcionen correctamente.
- No utilizar nunca fresas de mala calidad o dañadas.
- Utilizar exclusivamente fresas cuyo diámetro de vástago coincida con los datos indicados en el manual de instrucciones.
- No sobrepasar en ningún momento el número de revoluciones máximo de la fresa.
- No fresar nunca sobre piezas metálicas, tornillos o clavos, etc.
- Asegurarse de que ningún objeto extraño quede adherido a la pieza de trabajo para evitar dañar la fresadora.
- Sujetar en todo momento la fresadora con las dos manos.
- Dejar primero que el aparato alcance la velocidad máxima y luego introducir la fresa en la pieza.
- Detener el aparato cuando la fresadora se atasque por residuos de la pieza. Esperar a que la fresa se detenga por completo. Retirar los residuos con una varilla larga y nunca con los dedos.
- Esperar a que la fresa se detenga por completo antes de retirar la pieza de trabajo o antes de dejar el aparato.
- El fresado debe realizarse siempre en sentido contrario (marcha inversa) al sentido de rotación de la fresa.
- Tener en cuenta el momento de retroceso del aparato, especialmente cuando la fresa se bloquee.
- Volver a colocar el aparato en la posición inicial cuando se termine de utilizarlo.

- Utilizar únicamente fresas perfectamente afiladas.
- Asegurar la herramienta de forma que la transmisión de fuerza sea correcta.
- Dependiendo del material, realizar varias pasadas en caso de que se requiera una mayor profundidad de fresado.
- Utilizar solo fresas con un diámetro de vástago adecuado para el portafresa instalado.
- Utilizar solo fresas aptas para la velocidad de la herramienta eléctrica.

GUARDE ESTAS INSTRUCCIONES

2. Descripción del aparato y volumen de entrega

2.1 Descripción del aparato (fig. 1)

1. Unidad de fresado inalámbrica
2. Tecla de desbloqueo
3. Interruptor ON/OFF
4. Regulación de velocidad
5. Bloqueo de husillo
6. Tuerca de regulación
7. Empuñaduras
8. Ajuste de precisión
9. Escala graduada
10. Indicación
11. Contratuerca
12. Ajuste de profundidad
13. Tope final
14. Tope de profundidad
15. Cubierta de protección
16. Soporte para el tope en paralelo
17. Tornillos de fijación para soporte del tope en paralelo
18. Tornillo de fijación para tope en paralelo
19. Palanca tensora
20. Adaptador de aspiración
21. Tornillo de fijación para adaptador de aspiración
22. Tornillo de fijación para unidad de fresado
23. Tornillo de fijación para ajuste de profundidad
24. Ajuste de altura
25. Tornillo de fijación para rodillo guía
26. Adaptador de aspiración
27. Tornillo de cabeza avellanada para adaptador de aspiración
28. Llave fija
29. Casquillo copiador
30. Portafresa 1/4" (6.35 mm)
31. Patín de fresado
32. Rodillo guía

- 32.1. Pasador guía
- 32.2. Tornillo de seguridad
- 32.3. Tornillo de reglaje
33. Puntero
34. Tope en paralelo
- 34.1. Tornillo de mariposa
35. Inserto para fresado vertical
36. Inserto para fresado de cantos
37. Luz LED
38. Escala graduada
39. Tornillos en cruz
40. Cubierta
41. Fresa (no se suministra)
42. Batería (no se suministra)
43. Dispositivo de retención
44. Indicador de capacidad de batería
45. Pulsador para indicar la capacidad de batería

2.2 Volumen de entrega

Sirviéndose de la descripción del volumen de entrega, comprobar que el artículo esté completo. Si faltase alguna pieza, dirigirse a nuestro Service Center o a la tienda especializada más cercana en un plazo máximo de 5 días laborales tras la compra del artículo presentando un recibo de compra válido.

- Abrir el embalaje y extraer cuidadosamente el aparato.
- Retirar el material de embalaje, así como los dispositivos de seguridad del embalaje y para el transporte (si existen).
- Comprobar que el volumen de entrega esté completo.
- Comprobar que el aparato y los accesorios no presenten daños ocasionados durante el transporte.
- Si es posible, almacenar el embalaje hasta que transcurra el periodo de garantía.

Peligro!

¡El aparato y el material de embalaje no son un juguete! ¡No permitir que los niños jueguen con bolsas de plástico, láminas y piezas pequeñas! ¡Riesgo de ingestión y asfixia!

- Unidad de fresado inalámbrica
- Inserto para fresado vertical
- Inserto para fresado de cantos
- Adaptador de aspiración (2x)
- Puntero
- Manguito de sujeción 1/4" (6.35 mm)
- Rodillo guía
- Tope en paralelo
- Llave fija (2x)
- Casquillo copiador

- Cubierta de protección
- Manual de instrucción original con instrucción de seguridad

Accesorios disponibles por separado

18V 1.5Ah PXC batería Li-Ion
 18V 2.0Ah PXC batería Li-Ion
 18V 2.5Ah PXC batería Li-Ion
 18V 3.0Ah PXC batería Li-Ion
 18V 4.0Ah PXC batería Li-Ion
 18V 3.0Ah PXC Plus batería Li-Ion
 18V 4.0Ah PXC Plus batería Li-Ion
 18V 5.2Ah PXC Plus batería Li-Ion
 18V 4.0Ah/6.0Ah PXC Plus batería Li-Ion
 18V 5.0Ah/8.0Ah PXC Plus batería Li-Ion
 18V PXC cargador rápido de doble Puerto
 18V PXC cargador rápido


Comuníquese con su distribuidor local para obtener modelos más específicos de baterías y cargadores disponibles en su área. Explorar las opciones de batería y cargador en einhell.com.

3. Uso adecuado

La fresadora vertical y de cantos inalámbrica ha sido especialmente diseñada para tratar madera y materiales sintéticos, así como recortar ramas, fresar ranuras, elaborar hendiduras, copiar curvas y escritos, fresar a ras, etc. La fresadora vertical y de cantos inalámbrica no debe utilizarse para tratar metal, piedra, etc.

Utilizar la máquina sólo en los casos que se indican explícitamente como de uso adecuado. Cualquier otro uso no será adecuado. En caso de uso inadecuado, el fabricante no se hace responsable de daños o lesiones de cualquier tipo; el responsable es el usuario u operario de la máquina.

4. Características técnicas

Alimentación de tensión de motor: 18V 
 Velocidad en vacío: ... 10,000 - 30,000 RPM (min⁻¹)
 Altura de Carrera
 (profundidad de fresado): 1.58" (40 mm)
 Portafresa: Ø ¼" (Ø 6.35 mm)
 Para fresadora de
 perfil les máx.: 1.18" (30 mm)
 Peso - Fresadora vertical
 inalámbrica (solo herramienta): 5.29 lb (2.4 kg)
 Peso - Fresado de cantos
 inalámbrica (solo herramienta): 2.87 lb (1.3 kg)

Usar protección para los oídos.

La exposición al ruido puede ser perjudicial para el oído.

¡Reducir la emisión de ruido y las vibraciones al mínimo!

- Emplear sólo aparatos en perfecto estado.
- Realizar el mantenimiento del aparato y limpiarlo con regularidad.
- Adaptar el modo de trabajo al aparato.
- No sobrecargar el aparato.
- En caso necesario dejar que se compruebe el aparato.
- Apagar el aparato cuando no se esté utilizando.
- Llevar guantes.

Cuidado!

Riesgos residuales

Incluso si esta herramienta se utiliza adecuadamente, siempre existen riesgos residuales. En función de la estructura y del diseño de esta herramienta eléctrica pueden producirse los siguientes riesgos:

1. Lesiones pulmonares en caso de que no se utilice una mascarilla de protección antipolvo.
2. Lesiones auditivas en caso de que no se utilice una protección para los oídos adecuada.
3. Daños a la salud derivados de las vibraciones de las manos y los brazos si el aparato se utiliza durante un largo periodo tiempo, no se sujeta del modo correcto o si no se realiza un mantenimiento adecuado.

Limitar el tiempo de trabajo.

Al hacerlo deben tenerse en cuenta todas las partes del ciclo de servicio (por ejemplo los tiempos en los que la herramienta eléctrica está desconectada y los tiempos en los que está co-

nectada pero funciona sin carga).

5. Antes de la puesta en marcha

¡Aviso!

Quitar siempre la batería antes de realizar ajustes en el aparato.

Antes de la puesta en marcha, instalar debidamente todas las cubiertas y dispositivos de seguridad.

5.1 Montaje Empalme para la aspiración (fig. 2-3/pos. 20/26)

¡Cuidado! Por motivos de salud, es imprescindible llevar a cabo la aspiración del polvo.

- Conectar el aparato inalámbrico con el empalme para la aspiración (20/26) a un aspirador o a un dispositivo similar. Dicha conexión permite aspirar de forma óptima las virutas de la pieza. Las ventajas: Favorece el manejo del aparato, al mismo tiempo que protege la salud. El área de trabajo permanece además más limpia y segura.
- El polvo que se genera durante el trabajo puede ser peligroso. Observar para ello el apartado de advertencias de seguridad.
- El aspirador utilizado debe estar indicado para el material a trabajar. Utilizar un aspirador especial siempre que se trabaje con materiales nocivos para la salud.

Fresadora vertical inalámbrica (fig. 3 / pos. 20)

- Enganchar el adaptador de aspiración (20) con ambos ganchos de seguridad en el patín de fresado (31) y atornillar con el tornillo de fijación para adaptador de aspiración (21).
- El adaptador de aspiración (20) se puede conectar a aparatos de aspiración (aspiradores) con tubo de aspiración.
- El diámetro interior del adaptador de aspiración es de 1.42" (36 mm). Sujetar un tubo flexible de aspiración adecuado al adaptador de aspiración.

Fresado de cantos inalámbrica (fig. 2 / pos. 26)

- Atornillar el adaptador de aspiración (26) con el tornillo de cabeza avellanada (27) al inserto para fresado de cantos (36).
- El adaptador de aspiración se puede conectar a aparatos de aspiración (aspiradores) con tubo de aspiración.

- El diámetro interior del adaptador de aspiración es de 1.42" (36 mm). Sujetar un tubo flexible de aspiración adecuado al adaptador de aspiración.

5.2 Montaje de la cubierta de protección (¡solo para fresadora vertical inalámbrica!) (fig. 5/pos. 15)

Montar la cubierta de protección (15) como se describe en la figura 1.

Para retirar la cubierta de protección (15) tirar de esta hacia delante.

5.3 Montaje del tope en paralelo (fig. 6-7/pos. 34)

Fresadora vertical inalámbrica

- Introducir el soporte para el tope en paralelo (16), según se ve en la fig. 1, en las guías previstas en el patín de fresado (31) y fijar con los dos tornillos de fijación para el soporte del tope en paralelo (17).
- Abrir tornillo de fijación para el tope en paralelo (18) en el soporte para el tope en paralelo (16).
- Introducir el tope en paralelo (34), según se muestra en la fig. 6, en el soporte para el tope en paralelo (16) y volver a apretar el tornillo de fijación para el tope en paralelo (18).
- Ajustar el tope en paralelo (34) a la medida deseada y sujetarlo con los tornillos de mariposa (34.1).

Fresadora de cantos inalámbrica

- Abrir tornillo de fijación para el rodillo guía (25).
- Introducir el tope en paralelo (34), según se muestra en la fig. 7, en el soporte para el rodillo guía (25) y volver a apretar el tornillo de fijación para el rodillo guía (25).
- Ajustar el tope en paralelo (34) a la medida deseada y sujetarlo con los tornillos de mariposa (34.1).

5.4 Montaje del puntero (fig. 8/pos. 33)

- Con el puntero (33) se pueden fresar zonas circulares.
- Soltar a tal efecto la tuerca de mariposa (34.1) y retirar la parte delantera del tope en paralelo (34).
- Atornillar el puntero (33) al tope en paralelo (34) según se muestra en la figura 5. A continuación, montar el tope en paralelo (34) con el puntero (33) en la fresadora vertical.
- El montaje se realiza según se describe en

el punto 5.3, no obstante el tope en paralelo (34) se monta girado 180°, de modo que el puntero (33) mire hacia abajo (fig. 8).

- Ajustar el radio deseado entre el puntero (33) y la fresa.
- Colocar el puntero (33) en el centro del círculo a fresar.

5.5 Montaje y uso del casquillo copiador (¡solo para fresadora de cantos inalámbrica!) (fig. 9-12/pos. 29)

- Retirar los cuatro tornillos en cruz (39) en la parte inferior del inserto para fresado de cantos y quitar la cubierta (40) (fig. 9).
- Introducir el casquillo copiador (29) según la fig. 10.
- Volver a montar la cubierta (40) con los cuatro tornillos en cruz (39).
- Desplazar el casquillo copiador (29) a lo largo de la plantilla (29.2) con el anillo de tope (29.2).
- Para obtener una copia exacta, la pieza de trabajo (29.3) debe ser más grande que la diferencia entre „canto externo anillo de ataque“ y „canto externo fresa“ (29.4).

5.6 Montaje / desmontaje de la unidad de fresado inalámbrica (fig. 13-14)

¡Aviso! Retirar batería.

Fresadora vertical inalámbrica

- Para insertar la unidad de fresado inalámbrica (1) en el inserto para fresado de cantos (35), soltar el tornillo de fijación para la unidad de fresado (22) e insertar la unidad de fresado inalámbrica (1).
- A continuación, volver a apretar el tornillo de fijación para la unidad de fresado (22).

Fresadora de cantos inalámbrica

- Para insertar la unidad de fresado inalámbrica (1) en el inserto para fresado de cantos (36), soltar el tornillo de fijación para ajuste de profundidad (23) e insertar la unidad de fresado inalámbrica (1).
- A continuación, determinar la profundidad de fresado deseada mediante el ajuste de altura (24) y la escala graduada (38).
- A continuación, volver a apretar el tornillo de fijación para ajuste de profundidad (23).

5.7 Montaje/desmontaje de la herramienta de fresado (fig. 15-19)

¡Aviso! Retirar batería.

¡Cuidado! ¡Tras utilizar la fresadora vertical la herramienta se mantiene muy caliente durante un tiempo relativamente largo!

¡Cuidado! Las fresas están muy afiladas. Llevar puestos guantes de protección en todo momento al manipular las herramientas de fresado.

- Para facilitar el cambio de fresa retirar la unidad de fresado inalámbrica (1) del inserto respectivo como se describe en 5.6
- En esta fresadora vertical y de cantos inalámbrica se pueden insertar fresas que presenten un diámetro de vástago de ¼".
- Se pueden utilizar, entre otras, fresas de los siguientes materiales:
- - **Acero HSS** - Adecuado para trabajar maderas blandas
- - **Acero TCT** - Adecuado para trabajar maderas duras, conglomerado y plásticos.
- Elegir la herramienta de fresado adecuada para su uso.
- **Antes de usar las fresas por primera vez:** quitar el embalaje de plástico de los cabezales.
- Limpiar la tuerca, el portafresa y el vástago de la fresa antes de utilizarlos.
- Soltar la tuerca de regulación (6) con las dos llaves fijas (28).
- En caso necesario sacar la fresa a desmontar del portafresa (30)
- Elegir la herramienta de fresado adecuada para su uso.
- Colocar el portafresas (30) en el husillo de fresado (fig. 16).
- Volver a colocar la tuerca de regulación (6) (fig. 17).
- Introducir el vástago de la fresa (41) en el portafresa (fig. 18).
- Mantener presionado el bloqueo de husillo (5) y apretar a mano la tuerca de regulación (6) (fig. 18).
- **¡Advertencia!** No se puede usar el bloqueo de husillo para apretar con la llave fija (28)!
- Apretar la tuerca de regulación (6) con las dos llaves fijas (28).
- La fresa se debe introducir al menos a ¾" (20 mm) en el portafresa (30).
- ¡Antes de la puesta en marcha, comprobar que la herramienta esté bien sujeta y funcione correctamente!

5.8 Ajustar los topes finales (fig. 20/pos. 13)

Dependiendo de las necesidades cabe la posibilidad de ajustar la altura de los topes finales (13). Para ello girar el tornillo en el tope final (13) con una llave de hexágono interior a la altura de tope deseada.

¡Aviso! Antes de la puesta en marcha no olvidarse de retirar las herramientas de ajuste y montaje.

5.9 Montaje/desmontaje del rodillo guía (fig. 23/pos. 32)

- Soltar el tornillo de fijación para rodillo guía (25) e insertar el rodillo guía (32) según la fig. 23 y determinar la altura correspondiente.
- Volver a apretar los tornillos de fijación para rodillo guía (25).
- Ajustar la aproximación lateral necesaria con ayuda del tornillo de reglaje (32.3) y asegurar el rodillo guía con el tornillo de seguridad (32.2).

6. Manejo

¡Advertencia!

Al usar la fresadora con la base fija, asegurarse de agarrar la fresadora de cantos lo más arriba posible. Para reducir el riesgo de sufrir lesiones, ¡la distancia entre la mano y el borde superior del soporte de la guía de cantos no deberá ser inferior a $1\frac{1}{16}$ " (17 mm)! (Véase fig. 27).

- No utilizar nunca fresas de baja calidad o dañadas. Utilizar solo herramientas de fresado que presenten un diámetro de vástago de $\frac{1}{4}$ ". Las fresas deben estar asimismo diseñadas para la velocidad de marcha en vacío correspondiente.
- Asegurar la pieza a trabajar para que durante el trabajo no salga disparada. Utilizar dispositivos de sujeción.
- No fresar nunca sobre piezas metálicas, tornillos, clavos, etc.

6.1 Interruptor ON/OFF (fig. 1/pos. 3)

Por motivos de seguridad, la fresadora vertical y de cantos inalámbrica está equipada con un botón de bloqueo de conexión.

- Para encender, pulsar la tecla de bloqueo/desbloqueo (2). La Luz LED (37) empieza a iluminarse para confirmar.
- A continuación pulsar el interruptor ON/OFF (3) en los 10 segundos siguientes.

- Si el interruptor ON/OFF no se pulsa por un tiempo superior a 10 segundos, la luz LED (37) vuelve a apagarse y el aparato no puede encenderse.
- Para apagarlo, volver a pulsar o la tecla de bloqueo/desbloqueo (2) o el interruptor ON/OFF (3)

6.2 Regulación de velocidad (fig. 20/pos. 4)

La velocidad adecuada depende del material a trabajar y el diámetro de la fresa. Con el interruptor para regular la velocidad (4) elegir una velocidad entre 10,000 y 30,000 r. p. m. Se puede elegir entre 6 posiciones diferentes.

Las velocidades en cada posición son las siguientes:

- Posición 1: aprox. 10,000 r. p. m. (velocidad mínima)
- Posición 2: aprox. 14,000 r. p. m.
- Posición 3: aprox. 19,000 r. p. m.
- Posición 4: aprox. 22,000 r. p. m.
- Posición 5: aprox. 25,000 r. p. m.
- Posición 6: aprox. 30,000 r. p. m. (velocidad máxima)

Aumentar la velocidad:

Mover el regulador (4) en la dirección del +.

Reducir la velocidad:

Mover el regulador (4) en la dirección del -.

6.3 Ajuste de la profundidad de fresado (¡solo para fresadora vertical inalámbrica!) (fig. 20)

- Colocar que el aparato sobre la pieza de trabajo.
- Soltar la contratuerca (11) y la palanca tensora (19).
- Desplazar el aparato hacia abajo lentamente (12) hasta que la fresa entre en contacto con la pieza de trabajo.
- Apretar la palanca tensora (19).
- Poner el ajuste de precisión (8) respectivamente a 0.
- Ajustar el tope final (13) de forma que el tope de profundidad (14) se encuentre sobre el tope final ajustado más bajo (13).
- Bajar el tope de profundidad (14) pulsando el ajuste de profundidad (12) hasta que toque el tope final (13). A continuación apretar la contratuerca (11) y soltar la palanca tensora (19).
- Poner el indicador (10) en el punto cero de la escala (9).
- Aflojar la contratuerca (11).

- Subir el tope de profundidad (14) hasta que el indicador (10) apunte la profundidad de fresado deseada en la escala (9). Volver a apretar la contratuerca (11).
- Probar el ajuste realizando un fresado de prueba en una pieza de sobra.
- Ahora se puede realizar el ajuste de precisión de la profundidad de fresado. Para ello girar el ajuste de precisión (8) a la medida deseada.

Girar el ajuste de precisión (8) en sentido contrario al de las agujas del reloj: profundidad de fresado mayor

Girar el ajuste de precisión (8) en el sentido de las agujas del reloj: profundidad de fresado menor

Una marca del giro de ajuste de precisión (8) corresponde a un cambio de la profundidad de fresado de 0.004" (0,1 mm), todo un giro corresponde a 0.04" (1 mm).

6.4 Fresar

Fresadora vertical inalámbrica

- Asegurarse de que ningún objeto extraño quede adherido a la pieza de trabajo para evitar dañar la fresadora.
- Sujetar el aparato mediante las dos empuñaduras (7).
- Colocar la fresadora vertical inalámbrica sobre la pieza.
- Ajustar la profundidad de fresado conforme al punto 6.3.
- Elegir la velocidad conforme al punto 6.2 y conectar el aparato (véase punto 6.1)
- Comprobar los ajustes del aparato con ayuda de una pieza de sobra.
- Dejar que el aparato alcance la velocidad máxima. A continuación bajar la fresa a su altura de trabajo y bloquear el aparato con la palanca tensora (19).

Fresadora de cantos inalámbrica

- Asegurarse de que ningún objeto extraño quede adherido a la pieza de trabajo para evitar dañar la fresadora.
- Agarrar el aparato por la empuñadura.
- Colocar la fresadora de cantos inalámbrica sobre la pieza.
- Ajustar la profundidad de fresado conforme al punto 5.6.
- Elegir la velocidad conforme al punto 6.2 y conectar el aparato (véase punto 6.1)

- Comprobar los ajustes del aparato con ayuda de una pieza de sobra.
- Dejar que el aparato alcance la velocidad máxima.

Sentido de fresado: La fresa gira en el sentido de las agujas del reloj. El fresado debe realizarse siempre en sentido contrario para evitar accidentes (fig. 21).

Avance: Es esencial trabajar las piezas con el avance adecuado. Recomendamos realizar antes un par de fresados de prueba con piezas de sobra del mismo tipo. Así se determina la velocidad de trabajo ideal.

Avance demasiado lento:

La fresa se podría sobrecalentar. Si se trabaja material inflamable, como madera, la pieza se podría prender.

Avance demasiado rápido:

La fresa se podría dañar. Calidad de fresado: grueso e irregular.

Esperar a que la fresa se detenga por completo antes de retirar la pieza de trabajo o antes de dejar la fresadora vertical.

6.5 Fresar gradualmente

Dependiendo de la dureza del material a trabajar y la profundidad de fresado es preciso fresar de forma gradual.

- Ajustar los topes finales conforme al punto 5.8.
- Si se fresa en varios niveles, girar el tope final (13) tras ajustar la profundidad de fresado conforme al punto 6.3 de forma que el tope de profundidad (14) se encuentre por encima del tope final más alto (13).
- Fresar en este ajuste. Tras finalizar el proceso de fresado, ajustar el tope final (13) de forma que el tope de profundidad (14) se encuentre sobre el tope final medio. Fresar también en este ajuste.
- A continuación, ajustar el tope final más bajo y finalizar el fresado.

6.6 Fresar círculos con el puntero (33)

Para fresar círculos alrededor de un punto central proceder como sigue:

- Montar y ajustar el puntero (33) según se indica en el apartado 5.4.
- Colocar el puntero (33) en el punto central del círculo a fresar y presionar.

- Realizar el fresado conforme al apartado 6.4.

6.7 Fresar con el tope en paralelo (34)

Para fresar a lo largo de canto exterior recto de la pieza proceder como sigue:

- Montar el tope en paralelo (34) según se indica en el apartado 5.3
- Mover el tope en paralelo (34) a lo largo del borde exterior de la pieza.
- Realizar el fresado conforme al apartado 6.4.

6.8 Fresado libre

La fresadora vertical y de cantos inalámbrica se puede operar también sin barras guía. En el fresado libre se pueden realizar trabajos creativos como, por ejemplo, inscripciones.

- Para ello utilizar un ajuste de la fresa muy plano.
- Tener en cuenta el sentido de giro de la fresa (fig. 21).

6.9 Fresado de cantos y formas (fig. 22)

- Para los fresados de cantos (41.2) y formas (41.1) se pueden utilizar además fresas especiales con anillo de ataque.
- Llevar a cabo el montaje de la herramienta fresadora.
- Acercar con cuidado la máquina a la pieza de trabajo.
- Ejerciendo leve presión, desplazar la espiga de guía o el rodamiento de bolas (41.3) a lo largo de la pieza de trabajo.

Fresadora de cantos inalámbrica

Con ayuda del rodillo guía (32) también se pueden fresar cantos

- Montar el rodillo guía (32) según se describe en 5.9
- Colocar la fresadora de cantos inalámbrica sobre la pieza de trabajo y ajustar la altura del rodillo guía (32) de manera que el rodamiento de bolas (32.1) quede por debajo de la fresa.
- Para obtener una copia exacta, la pieza de trabajo (32.2) debe ser más grande con una diferencia correspondiente a la diferencia entre „canto externo anillo de ataque“ y „canto externo fresa“ (32.3).
- Volver a apretar el tornillo de fijación (32.2).

Aviso:

Según el material, realizar diversas pasadas en caso de que se requiera una mayor profundidad de fresado. Cuando haga un fresado sostener siempre la fresadora eléctrica con ambas manos.

6.10 Cómo cargar la batería de litio (no incluido en el volumen de entrega)

Las instrucciones correspondientes se encuentran en el manual de instrucciones original del cargador.

6.11 Indicador de capacidad de batería (fig. 26/pos. 44)

Pulsar el interruptor para acceder al indicador de capacidad de la batería (45). El indicador de capacidad de batería (44) le indica el estado de carga de la batería sirviéndose de 3 LEDs.

Los 3 LED están iluminados:

La batería está completamente cargada.

2 o 1 LED están iluminados

La batería dispone de suficiente carga residual.

1 LED parpadea:

La batería está vacía, es preciso cargarla.

Si todos los LED parpadean:

La temperatura de la batería es demasiado baja. Quitar la batería del aparato y dejarla durante un día a temperatura ambiente. Si vuelve a aparecer el fallo, la batería se ha descargado completamente y está defectuosa. Quitar la batería del aparato. Está prohibido emplear o cargar una batería defectuosa.

7. Mantenimiento y limpieza

Peligro!

Desenchufar la batería antes de realizar trabajos de limpieza.

7.1 Limpieza

- Reducir al máximo posible la suciedad y el polvo en los dispositivos de seguridad, las rendijas de ventilación y la carcasa del motor. Frotar el aparato con un paño limpio o soplarlo con aire comprimido manteniendo la presión baja.
- Se recomienda limpiar el aparato tras cada uso.
- Limpiar el aparato con regularidad con un paño húmedo y un poco de jabón blando. No utilizar productos de limpieza o disolventes ya que se podrían deteriorar las piezas de plástico del aparato. Es preciso tener en cuenta que no entre agua en el interior del aparato. Si entra agua en el aparato eléctrico existirá

mayor riesgo de una descarga eléctrica.

7.2 Mantenimiento

No hay que realizar el mantenimiento a más piezas en el interior del aparato.

8. Eliminación y reciclaje

El aparato está protegido por un embalaje para evitar daños producidos por el transporte. Este embalaje es materia prima y, por eso, se puede volver a utilizar o llevar a un punto de reciclaje. El aparato y sus accesorios están compuestos de diversos materiales, como, p. ej., metal y plástico. Los aparatos defectuosos no deben tirarse a la basura doméstica. Para su eliminación adecuada, el aparato debe entregarse a una entidad recolectora prevista para ello. En caso de no conocer ninguna, será preciso informarse en el organismo responsable del municipio.

9. Almacenamiento

Guardar el aparato y sus accesorios en un lugar oscuro, seco, protegido de las heladas e inaccesible para los niños. La temperatura de almacenamiento óptima se encuentra entre los 41°F y 86°F (5 y 30 °C). Guardar la herramienta eléctrica en su embalaje original.

Sólo está permitido copiar la documentación y documentos anexos del producto, o extractos de los mismos, con autorización expresa de Einhell Germany AG.

Nos reservamos el derecho a realizar modificaciones técnicas



A series of 20 horizontal lines for writing, starting from the line where the pencil is positioned and extending down the page.



www.Einhell.com

EH 05/2023 (01)