



Einhell®

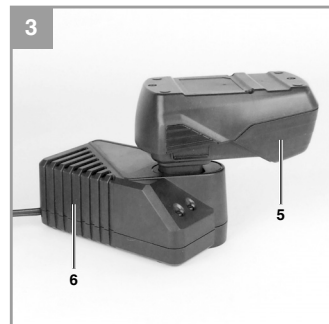
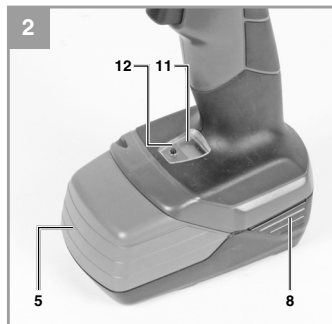
BT-CD 18/1 i

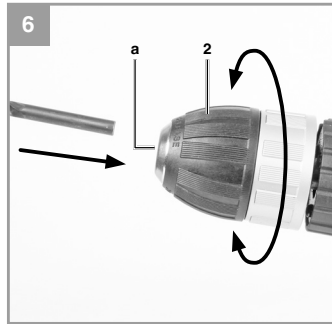
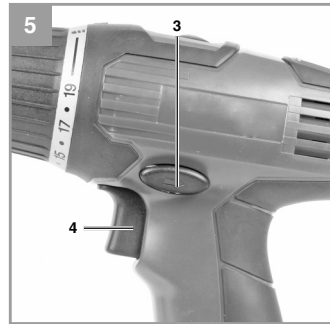
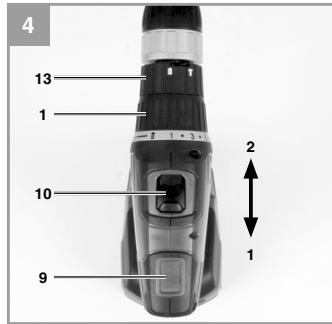
GB Original operating instructions
Cordless Hammer Drill/Screwdriver



Art.-Nr.: 45.135.61

L.-Nr.: 11011







GB



Caution - Read the operating instructions to reduce the risk of injury



Wear ear-muffs. The impact of noise can cause damage to hearing.



Wear a breathing mask. Dust which is injurious to health can be generated when working on wood and other materials. Never use the device to work on any materials containing asbestos!



Wear safety goggles. Sparks generated during working or splinters, chips and dust emitted by the device can cause loss of sight.



Change the gear only when the drill is at a standstill. If you fail to observe this point, the gearing may be damaged.

⚠ Important!

When using the equipment, a few safety precautions must be observed to avoid injuries and damage. Please read the complete operating instructions and safety regulations with due care. Keep this manual in a safe place, so that the information is available at all times. If you give the equipment to any other person, hand over these operating instructions and safety regulations as well. We cannot accept any liability for damage or accidents which arise due to a failure to follow these instructions and the safety instructions.

1. Safety regulations

The corresponding safety information can be found in the enclosed booklet.

⚠ Caution!

Read all safety regulations and instructions.

Any errors made in following the safety regulations and instructions may result in an electric shock, fire and/or serious injury.

Keep all safety regulations and instructions in a safe place for future use.

2. Layout and items supplied**2.1 Layout (Fig. 1a/1b)**

1. Torque adjustment (setting ring)
2. Quick-change drill chuck
3. Changeover switch
4. On/Off switch
5. Battery
6. Charging unit
7. Charging cable
8. Pushlock button
9. Magnetic screw holder
10. Selector switch for 1st/2nd gear
11. Battery capacity indicator
12. Switch for battery capacity indicator
13. Drill/hammer drill selector switch

2.2 Items supplied

Please check that the article is complete as specified in the scope of delivery. If parts are missing, please contact our service center or the nearest branch of the DIY store where you made your purchase at the latest within 5 work days after purchasing the article and upon presentation of a valid bill of purchase. Also, refer to the warranty table in the warranty provisions at the end of the operating instructions.

- Open the packaging and take out the equipment with care.
- Remove the packaging material and any packaging and/or transportation braces (if available).
- Check to see if all items are supplied.
- Inspect the equipment and accessories for transport damage.
- If possible, please keep the packaging until the end of the guarantee period.

Important!

The equipment and packaging material are not toys. Do not let children play with plastic bags, foils or small parts. There is a danger of swallowing or suffocating!

- Cordless hammer drill/screwdriver
- Battery (2x)
- Charging unit
- Original operating instructions
- Safety instructions

3. Proper use

The cordless hammer drill/screwdriver is designed for tightening and undoing screws, for drilling in wood, metal and plastic, and for hammer drilling in stone, in each case when using the appropriate bits.

The equipment is to be used only for its prescribed purpose. Any other use is deemed to be a case of misuse. The user / operator and not the manufacturer will be liable for any damage or injuries of any kind caused as a result of this.

Please note that our equipment has not been designed for use in commercial, trade or industrial applications. Our warranty will be voided if the machine is used in commercial, trade or industrial businesses or for equivalent purposes.



GB

4. Technical data

Motor supply voltage: 18 V DC
Idling speed: 0-300/0-900 min⁻¹
Torque settings: 19+1+1
Clockwise/Counter-clockwise: Yes
Clamping range of drill chuck: max. 13 mm
Battery charge voltage: 3,6-18 V DC
Battery charge current: max. 1,5 A
Battery charger supply voltage:
..... 230-240 V ~ 50-60Hz
Charging time: approx. 1 hour
Battery type: NiCd
Weight: 1,75 kg

Sound and vibration

Sound and vibration values were measured in accordance with EN 60745.

L_{pA} sound pressure level 83,1 dB(A)
 K_{pA} uncertainty 3 dB
 L_{WA} sound power level 94,1 dB(A)
 K_{WA} uncertainty 3 dB

Wear ear-muffs.

The impact of noise can cause damage to hearing.

Total vibration values (vector sum of three directions) determined in accordance with EN 60745.

Drilling in metal

Vibration emission value $a_h \leq 2,5 \text{ m/s}^2$
K uncertainty = 1,5 m/s²

Hammer drilling in concrete

Vibration emission value $a_h = 10,772 \text{ m/s}^2$
K uncertainty = 1,5 m/s²

Screwing without hammer action

Vibration emission value $a_h \leq 2,5 \text{ m/s}^2$
K uncertainty = 1,5 m/s²

Warning!

The specified vibration value was established in accordance with a standardized testing method. It may change according to how the electric equipment is used and may exceed the specified value in exceptional circumstances.

The specified vibration value can be used to compare the equipment with other electric power tools.

The specified vibration value can be used for initial assessment of a harmful effect.

Keep the noise emissions and vibrations to a minimum.

- Only use appliances which are in perfect working order.
- Service and clean the appliance regularly.
- Adapt your working style to suit the appliance.
- Do not overload the appliance.
- Have the appliance serviced whenever necessary.
- Switch the appliance off when it is not in use.
- Wear protective gloves.

Residual risks

Even if you use this electric power tool in accordance with instructions, certain residual risks cannot be ruled out. The following hazards may arise in connection with the equipment's construction and layout:

1. Lung damage if no suitable protective dust mask is used.
2. Damage to hearing if no suitable ear protection is used.
3. Health damage caused by hand-arm vibrations if the equipment is used over a prolonged period or is not properly guided and maintained.

5. Before starting the equipment

Be sure to read the following information before you put the cordless screwdriver into operation:

1. Charge the battery only with the charging unit supplied.
2. Only ever use sharp drill bits and screwdriver bits which are suitable for the purpose and in faultless condition.
3. Always check for concealed electric cables and gas and water pipes when drilling and screwing in walls.



GB

6. Operation

6.1 Charging the battery (Fig. 2-3)

1. Remove the battery pack (5) from the handle (Fig. 2) by pressing the pushlock buttons (8) on the left and right side of the battery pack (5).
2. Check that your mains voltage is the same as that marked on the rating plate. Plug the charging cable (7) of the charging unit (6) into the power socket. The green LED on the charging unit then comes on.
3. Insert the battery pack (5) into the battery charger (6). The red LED will come on to indicate that the battery pack is being charged. Charging has finished when the red LED goes out and the green LED comes on again. The battery pack may become a little warm during the charging process. This is normal.

Caution! At temperatures of 45°C and higher the battery cannot be charged. In this case remove the battery from the charger, let it cool down and then recharge it.

If the battery pack fails to charge, check for the following:

- Voltage at the power socket
- Good contact at the charging contacts of the charging unit

If the battery pack still fails to charge, send

- the charging unit
 - and the battery pack
- to our customer service center.

To ensure that the battery pack provides long service, you should take care to recharge it promptly. You must recharge the battery pack when you notice that the power of the cordless equipment drops. Never fully discharge the battery pack. This will cause it to develop a defect!

6.2 Torque setting (Fig. 4 / Item 1)

The cordless hammer drill/screwdriver is fitted with a mechanical torque selector.

The torque for a particular screw size is set with the setting ring (1). The torque is dependent on a number of factors:

- On the type and hardness of the material involved
- On the type and length of the screws used

- On the requirements that the screw connection has to satisfy

The grating disengagement of the coupling indicates that the selected torque level has been reached.

Caution! Only ever adjust the setting ring when the equipment is at a standstill.

Caution! For screwing purposes, the drill/hammer drill selector switch (13) must be changed to the „Drill“ setting!

6.3 Drilling (Fig. 4/Item 1)

For drilling purposes, adjust the setting ring for the torque to the last setting „Drill“. In the drill setting the slip coupling is non-functional. The maximum torque is available for drilling.

6.3 Drilling/hammer drilling (Fig. 4)

- For drilling purposes, adjust the torque setting (1) and the drill/hammer drill selector switch (13) to the „Drill“ setting. The slip coupling is now off and the maximum torque is available.
- For hammer drilling purposes, adjust the torque setting (1) to the „Drill“ setting and the drill/hammer drill selector switch (13) to the „Hammer“ setting. Once again the slip coupling is off and the maximum torque is available.

Caution! Adjust the torque setting (1) and the drill / hammer drill selector switch (13) only when the equipment is at a standstill.

6.4 Changeover switch (Fig. 5/Item 3)

The slide switch above the On/Off switch is for setting the direction of rotation of the cordless hammer drill/screwdriver and for preventing the cordless hammer drill/screwdriver from being switched on inadvertently. You can select between clockwise and counter-clockwise rotation. To avoid causing damage to the gearing, the direction of rotation must only be changed when the screwdriver is at a standstill. When the slide switch is in the middle position, the On/Off switch is blocked.



GB

6.5 On/Off switch (Fig. 5/Item 4)

Infinitely variable speed control is possible with the On/Off switch. The further you push the switch, the higher the speed of the cordless screwdriver.

6.6 Changing the bit (Fig. 6)

Caution! Set the changeover switch (3) to its center position whenever you carry out any work (for example changing the tool, maintenance work, etc.) on the cordless hammer drill/screwdriver.

- Open the chuck (2).
- The chuck opening (a) must be large enough to hold the tool (drill bit or screwdriver bit).
- Select the suitable tool. Push the tool as far as possible into the chuck opening (a).
- Tighten the chuck (2) and then check that the tool is secure.

6.7 Screwing

It is advisable to use self-centering screws (e.g. Torx, cross recessed head) as these will enable you to work safely and reliably. Always make sure that the bit used is of the same size and shape as the screw. Set the torque to suit the screw size as specified in the instructions.

6.8 Magnetic screw holder (Fig. 4/Item 9)

Screws can be placed on the magnetic screw holder for easy reach during operation.

6.9 Selector switch for 1st/2nd gear (Fig. 4 / Item 10)

You can work with a higher or lower speed depending on the position of the selector switch. Change the gear only when the drill is at a standstill. If you fail to observe this point, the gearing may be damaged.

6.10 Battery capacity indicator (Fig. 2/Item 11)

Press the button for the battery capacity indicator (12). The LCD display of the battery capacity indicator (11) shows the charge status of the battery using 5 bars.

All bars are shown:

The battery is fully charged.

2 to 4 bars are shown:

The battery has an adequate remaining charge.

One bar is shown:

The battery is empty, recharge the battery.

7. Cleaning, maintenance and ordering of spare parts

Always pull out the mains power plug before starting any cleaning work.

7.1 Cleaning

- Keep all safety devices, air vents and the motor housing free of dirt and dust as far as possible. Wipe the equipment with a clean cloth or blow it with compressed air at low pressure.
- We recommend that you clean the device immediately each time you have finished using it.
- Clean the equipment regularly with a moist cloth and some soft soap. Do not use cleaning agents or solvents; these could attack the plastic parts of the equipment. Ensure that no water can seep into the device. The ingress of water into an electric tool increases the risk of an electric shock.

7.2 Maintenance

There are no parts inside the equipment which require additional maintenance.

7.3 Ordering replacement parts:

Please quote the following data when ordering replacement parts:

- Type of machine
- Article number of the machine
- Identification number of the machine
- Replacement part number of the part required

For our latest prices and information please go to www.isc-gmbh.info

8. Disposal and recycling

The equipment is supplied in packaging to prevent it from being damaged in transit. The raw materials in this packaging can be reused or recycled. The equipment and its accessories are made of various types of material, such as metal and plastic. Never place defective equipment in your household refuse. The equipment should be taken to a suitable collection center for proper disposal. If you do not know the whereabouts of such a collection point, you should ask in your local council offices.



GB

9. Storage

Store the equipment and accessories out of children's reach in a dark and dry place at above freezing temperature. The ideal storage temperature is between 5 and 30 °C. Store the electric tool in its original packaging.



GB



For EU countries only

Never place electric power tools or batteries in your household refuse!

Recycling alternative to the requested returning of equipment:
Instead of returning the equipment to the manufacturer, the owner of the electrical equipment is obliged to ensure that the equipment is properly disposed of if relinquishing ownership. The old equipment as well as any batteries can be returned to a suitable collection point that will dispose of the equipment in accordance with the national recycling and waste disposal regulations. This does not apply to any accessories or aids without electrical components supplied with the old equipment.

The reprinting or reproduction by any other means, in whole or in part, of documentation and papers accompanying products is permitted only with the express consent of the iSC GmbH.

Subject to technical changes



GB

Warranty provisions

iSC GmbH or the DIY store where you made your purchase guarantees the repair of defects or replacement of the equipment in accordance with the overview below. Statutory guarantee claims are unaffected.

Category	Example	Warranty
Defect with regard to material or construction		24 months
Wear parts*	Drill chuck	6 months
Consumables*	Bit inserts/drill bits	Warranty only in case of an immediate defect (24 hours after purchase / date on the bill)
Missing parts		5 work days

* Not necessarily included in the scope of delivery!

For consumables, wear parts and missing parts iSC GmbH guarantees the correction of defects or a new delivery only if the defect is reported within 24 hours (consumables), 5 work days (missing parts) or 6 months (wear parts) after purchase and the purchase date is verified with the bill.

In case of defects concerning the material or construction, we kindly request you to submit the equipment together with the fully completed warranty card supplied with the equipment. It is important that you enter an exact description of the defect.

To do so, answer the following questions:

- Did the equipment work at all or was it defective from the beginning?
- Did you notice anything (symptom or defect) prior to the failure?
- What malfunction does the equipment have in your opinion (main symptom)?
Describe this malfunction.



GB

Warranty certificate

Dear Customer,

All of our products undergo strict quality checks to ensure that they reach you in perfect condition. In the unlikely event that your device develops a fault, please contact our service department at the address shown on this guarantee card. Of course, if you would prefer to call us then we are also happy to offer our assistance under the service number printed below. Please note the following terms under which guarantee claims can be made:

1. These guarantee terms cover additional guarantee rights and do not affect your statutory warranty rights. We do not charge you for this guarantee.
2. Our guarantee only covers problems caused by material or manufacturing defects, and it is restricted to the rectification of these defects or replacement of the device. Please note that our devices have not been designed for use in commercial, trade or industrial applications. Consequently, the guarantee is invalidated if the equipment is used in commercial, trade or industrial applications or for other equivalent activities. The following are also excluded from our guarantee: compensation for transport damage, damage caused by failure to comply with the installation/assembly instructions or damage caused by unprofessional installation, failure to comply with the operating instructions (e.g. connection to the wrong mains voltage or current type), misuse or inappropriate use (such as overloading of the device or use of non-approved tools or accessories), failure to comply with the maintenance and safety regulations, ingress of foreign bodies into the device (e.g. sand, stones or dust), effects of force or external influences (e.g. damage caused by the device being dropped) and normal wear resulting from proper operation of the device. This applies in particular to rechargeable batteries for which we nevertheless issue a guarantee period of 12 months. The guarantee is rendered null and void if any attempt is made to tamper with the device.
3. The guarantee is valid for a period of 2 years starting from the purchase date of the device. Guarantee claims should be submitted before the end of the guarantee period within two weeks of the defect being noticed. No guarantee claims will be accepted after the end of the guarantee period. The original guarantee period remains applicable to the device even if repairs are carried out or parts are replaced. In such cases, the work performed or parts fitted will not result in an extension of the guarantee period, and no new guarantee will become active for the work performed or parts fitted. This also applies when an on-site service is used.
4. In order to assert your guarantee claim, please send your defective device postage-free to the address shown below. Please enclose either the original or a copy of your sales receipt or another dated proof of purchase. Please keep your sales receipt in a safe place, as it is your proof of purchase. It would help us if you could describe the nature of the problem in as much detail as possible. If the defect is covered by our guarantee then your device will either be repaired immediately and returned to you, or we will send you a new device.

Of course, we are also happy offer a chargeable repair service for any defects which are not covered by the scope of this guarantee or for units which are no longer covered. To take advantage of this service, please send the device to our service address.

Also refer to the restrictions of this warranty concerning wear parts/consumables and missing parts as set forth in the warranty conditions in these operating instructions.



ISC GmbH · Eschenstraße 6 · D-94405 Landau/Isar **CE**

Konformitätserklärung

D erklärt folgende Konformität gemäß EU-Richtlinie und Normen für Artikel	PL deklaruje zgodność wymienionego poniżej artykułu z następującymi normami na podstawie dyrektywy WE.
GB explains the following conformity according to EU directives and norms for the following product	BG декларира съответното съответствие съгласно Директива на ЕС и норми за артикул
F déclare la conformité suivante selon la directive CE et les normes concernant l'article	LV pasākuro šādu atbilstību ES direktīvai un standartiem
I dichiara la seguente conformità secondo la direttiva UE e le norme per l'articolo	LT apibūdina šį atitikimą EU reikalavimams ir prekės normoms
NL verklaart de volgende overeenstemming conform EU richtlijn en normen voor het product	RO declară următoarea conformitate conform directivei UE și normelor pentru articolul
E declara la siguiente conformidad a tenor de la directiva y normas de la UE para el artículo	GR δηλώνει την ακόλουθη συμμόρφωση σύμφωνα με την Οδηγία ΕΚ και τα πρότυπα για το προϊόν
P declara a seguinte conformidade, de acordo com a directiva CE e normas para o artigo	HR potvrđuje sljedeću usklađenost prema smjernicama EU i normama za artikl
DK atterer følgende overensstemmelse i medfør af EU-direktiv samt standarder for artikel	BIH potvrđuje sljedeću usklađenost prema smjernicama EU i normama za artikl
S förklarar följande överensstämmelse enl. EU-direktiv och standarder för artikeln	RS potvrđuje sledeću usklađenost prema smernicama EZ i normama za artikal
FIN vakuuttaa, että tuote täyttää EU-direktiivin ja standardien vaatimukset	RUS следующим удостоверяется, что следующие продукты соответствуют директивам и нормам ЕС
EE tõendab toote vastavust EL direktiivile ja standarditele	UKR проголошує про зазначену нічче відповідність виробу директивам та стандартам ЄС на виробі
CZ vydává následující prohlášení o shodě podle směrnice EU a norem pro výrobek	MK ja izjavува следната сообразност согласно EU-direktivаата и нормите за артикли
SLO potrjuje sledečo skladnost s smernico EU in standardi za izdelek	TR Ürünü ile ilgili AB direktifleri ve normları gereğince aşağıda açıklanan uygunluğu belirtir
SK vydáva nasledujúce prehlásenie o zhode podľa smernice EU a noriem pre výrobok	N erklærer følgende samsvar i henhold til EU-direktiv og standarder for artikkel
H a cikkhez az EU-irányvonal és Normák szerint a következő konformitást jelenti ki	IS Lýsir uppfyllingu EU-reglna og annarra staðla vöru

Akku-Schlagbohrschrauber BT-CD 18/1 i / Ladegerät LG BT-CD 18/1 i (Einhell)

<input type="checkbox"/> 87/404/EC_2009/105/EC	<input checked="" type="checkbox"/> 2006/42/EC
<input type="checkbox"/> 2005/32/EC_2009/125/EC	<input type="checkbox"/> Annex IV
<input type="checkbox"/> 2006/95/EC	Notified Body:
<input type="checkbox"/> 2006/28/EC	Notified Body No.:
<input checked="" type="checkbox"/> 2004/108/EC	Reg. No.:
<input type="checkbox"/> 2004/22/EC	<input type="checkbox"/> 2000/14/EC_2005/88/EC
<input type="checkbox"/> 1999/5/EC	<input type="checkbox"/> Annex V
<input type="checkbox"/> 97/23/EC	<input type="checkbox"/> Annex VI
<input type="checkbox"/> 90/396/EC_2009/142/EC	Noise: measured L_{WA} = dB (A); guaranteed L_{WA} = dB (A)
<input type="checkbox"/> 89/686/EC_96/58/EC	P = KW; L/D = cm
<input checked="" type="checkbox"/> 2011/65/EC	Notified Body:
	<input type="checkbox"/> 2006/28/EC
	Emission No.:

Standard references: EN 60745-1; EN 60745-2-1; EN 60745-2-2; EN 55014-1; EN 55014-2; EN 61000-3-2; EN 61000-3-3; EN 60335-1; EN 60335-2-29

Landau/Isar, den 09.08.2012

Weichselgartner/Geneß-Manager	Unger/Product-Management

First CE: 12
 Art.-No.: 45.135.61 I.-No.: 11011
 Subject to change without notice

Archive-File/Record: NAPR005387
 Documents registrar: Georg Riedel
 Wiesenweg 22, D-94405 Landau/Isar



EH 08/2012 (01)