

Aerator Assembly

Freecall

(Aus) 1800 069 486

(NZ) 0508 069 486

www.ozito.com.au

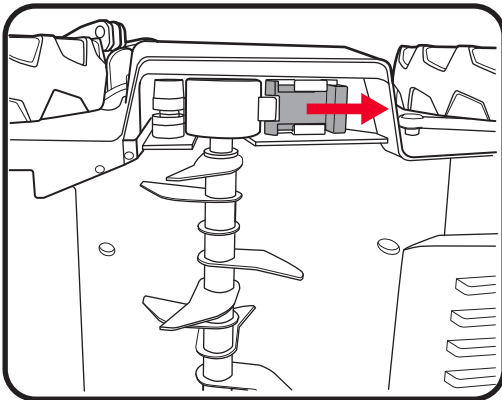


PXSCAR-0182

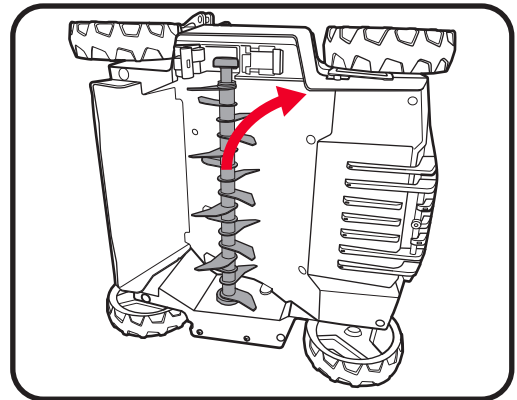
ALWAYS HANDLE THE SCARIFIER ROLLER WITH CARE - SHARP EDGES CAN CAUSE SERIOUS INJURY, WEAR GLOVES.



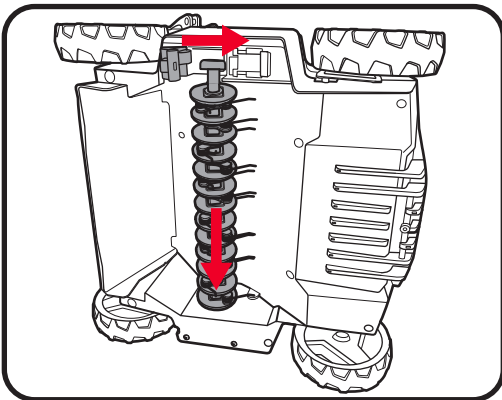
WARNING! ALWAYS ENSURE THE SCARIFIER ROLLER HAS COMPLETELY STOPPED, REMOVE THE SAFETY KEY, BATTERY AND GRASS CATCHER PRIOR TO ANY MAINTENANCE.



1. To remove the roller, push the roller lock to the right, front of the Scarifier to unlock.



2. Lift the roller at this end and pull it out, away from the scarifier.



3. To fit the roller, push the roller in the square-ended drive. Push the other end into the scarifier and close the lock.

ONLINE MANUAL

Scan this QR Code with your mobile device to take you to the online manual.



Tips for proper aerator roller use.

- The way of working for aerating is the same as for scarifying, therefore all safety instructions and notes on working practice should be followed as stated in the Scarifier Instruction Manual.
- Apply grease to the square-end drive of the roller from time to time so that the rollers can be changed easily.