

# Einhell

**BLUE**

## BG-MT 3360 LD

### Petrol Tiller

**Art.-No. 34.302.76**

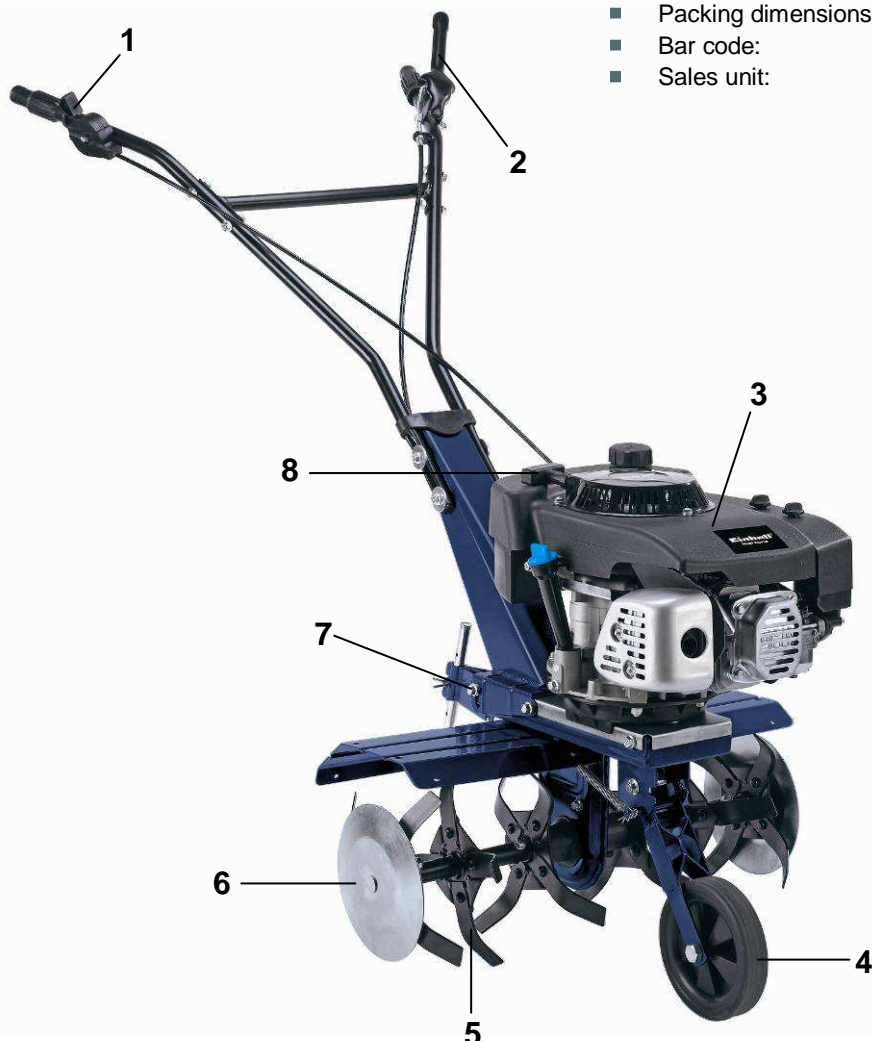
The powerful motor with its technical perfection and reliability, quiet running, high motor reserve and long service life makes it really economical. The special formed tilling tines allow an effective turning of the soil. The petrol tiller is equipped with ergonomically designed, in height adjustable handles. The tiltable guidance wheel makes change of location a practical affair.

#### Features

- Throttle control (1)
- Chopping knife stop due dead man's control (2)
- 1 cylinder 4-stroke-engine (3)
- Tiltable guidance wheel (4)
- Chopping knife (5)
- Height adjustable brake skid
- Lateral limitation discs (6)
- Height adjustable guidance handles (7)
- Starting linkage (8)
- Full crank shaft

#### Technical Data

- Motor: 1 cylinder, 4-stroke engine
- Motor power: **4.4 kW** / 6 HP (horse power)
- Working width: 60 cm
- Working depth: max. 23 cm
- Tines: 6 pcs / Ø 26 cm
- Starting system: Reverse starting device
- Fuel: lead free gasoline
- Tank capacity: 2.2 l
- Motor oil capacity: 0.6 l
- Product weight: 38.0 kg
- Gross weight: 41.95 kg
- Packing dimensions: 700 x 420 x 715 mm
- Bar code: 4006825 548440
- Sales unit: 1 pc



Abbildungen können nicht im Serien-Lieferumfang enthaltenes Zubehör darstellen / Illustrations can contain accessories, which are not included in standard extent of delivery. Abbildungen ähnlich, produktionsbedingte Abweichung vorbehalten / Illustration similar (in design), production-wise modifications reserved.

File: V:\Einhell-AG\TP-BK\2013\TLT-Sek\01-Sek-allgemein\Azubi\PA04-I-No-Wechsel-Anpassung-08-2013\Originale Englisch-Vorgaenger-Version\3430276\_11020.doc

Erstelldatum/create date: 29.10.2008 13:23:00Aktualisiert/up dated: 28.08.2013