

# Scroll Saw YPL 405

Art.-No.: **43.090.16**

Bar code: **4006825513660**

Sales unit: **1 pc**

You can work with the Scroll Saw precise and complicated on wood, plastic, metal, plexi glass and gypsum. Using especially in model construction and handcraft work.

With the stable parallel arm it is easy to saw accurately straightforward.

The flexibility of the YPL 405 points itself when working to the millimetre range, sawing perfect round forms and circles out. A blower device removes the dust particle directly from the working piece. The transparent saw blade protection offers optimal security without disturbing the work. For mitre cuts you can adjust the workbench over up to 45 degrees.

### Features:

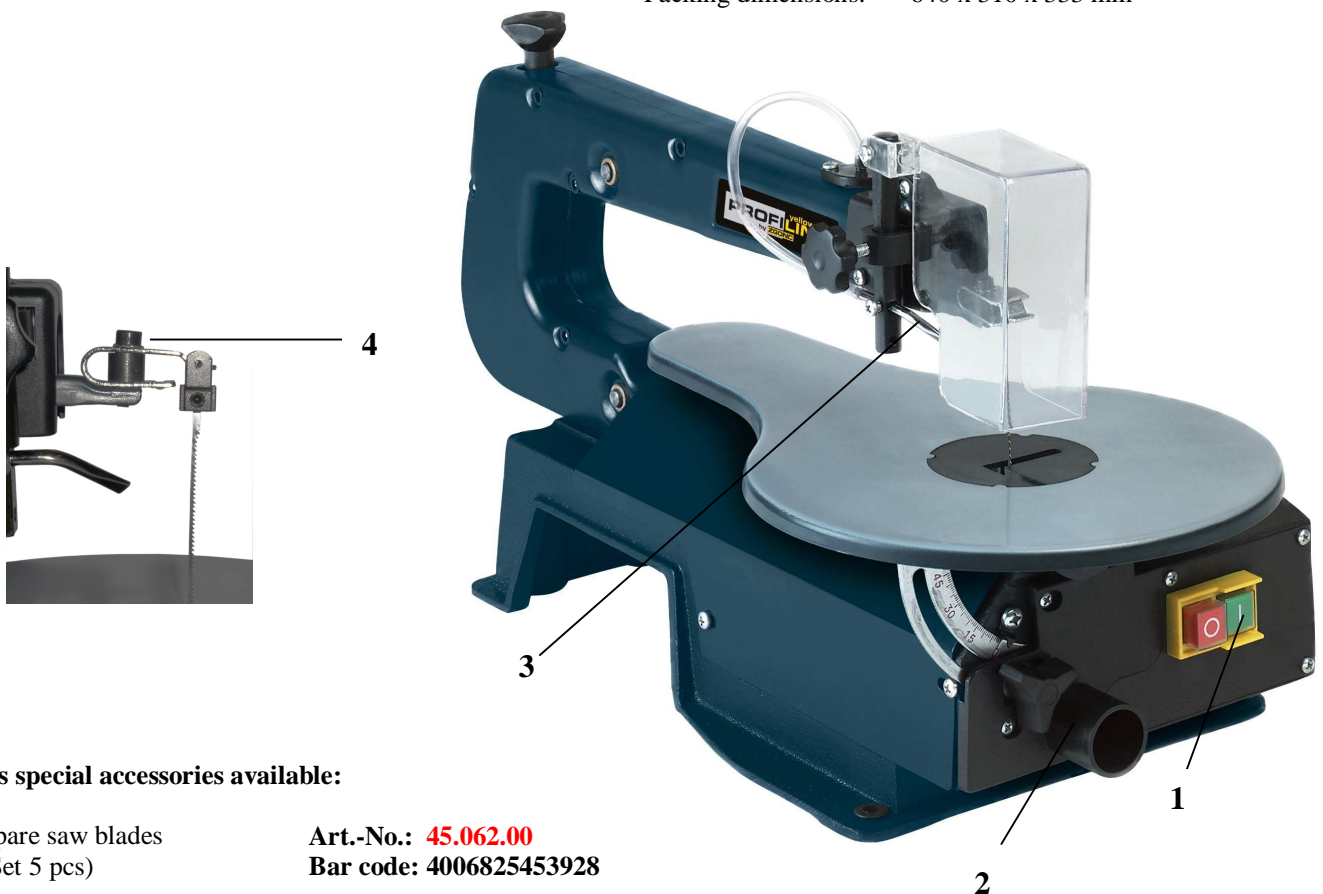
- No-voltage releasing switch (1)
- Dust extraction device (2)
- Sawdust blower facility (3)
- Adapter for leave saw blades (4)

### Technical data:

- Mains: 230 V ~ 50 Hz
- Power: 120 watts S2 30 min
- Idle stroke speed  $n_0$ : 1400  $\text{min}^{-1}$
- Height of stroke: 21,0 mm
- Length of saw blade: 127 mm
- Cutting height max.: 57 mm/90°; 27 mm/45°
- Throat depth: 406 mm
- Table size: 410 x 253 mm
- Table tiltable: 0° to 45°
- Weight: 12 kg
- Packing dimensions: 640 x 310 x 333 mm

### Transmitting height:

- 50 mm / 90° at max. throat depth
- 10 mm / 45° at max. throat depth



### As special accessories available:

Spare saw blades  
 (Set 5 pcs)

Art.-No.: **45.062.00**  
 Bar code: **4006825453928**