



## Table-, disc- and belt sander BTS 400/150-1

Art.-No.: **44.192.52**

Bar code: 4006825539585

Sales unit: 1 pc

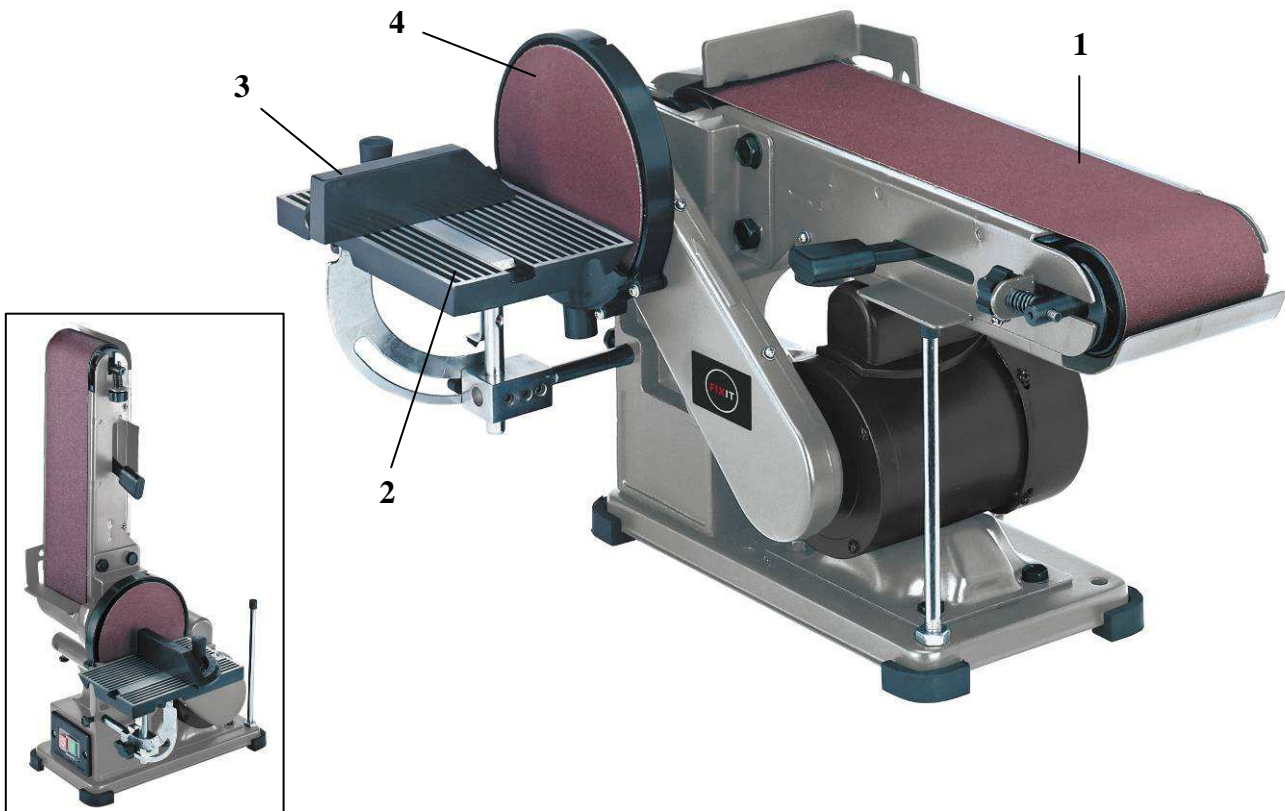
The belt sander device can be used in horizontal as well as in vertical position and therefore can be used for various kinds of sanding jobs and sizes of work pieces. The table for the disc sander can be tilted continuously from 0 – 45°. Using the likewise steplessly tiltable guide rail thus various kinds of angles can be sanded. For the disc sander sanding discs with Velcro fastening can be used, so changing of discs can be done fast and without problems. The unit is driven by a silent V-belt. A dust extraction adaptor is attached at the belt sander device as well as at the disc sander.

### Features:

- Belt sander device (1)
- Supporting table (tiltable from 0-45°) (2)
- Guide rail (-60° to +60°) (3)
- Disc sander with Velcro fastening (4)

### Technical data:

- Mains: 230 V ~ 50 Hz
- Power: 375 watts S2 30 min
- Idle speed: 1,400 min<sup>-1</sup>
- Sanding disc: Ø 150 mm
- Sanding plate: 915 x 100 mm
- Weight: 18.0 kg
- Packing dimensions: 500 x 305 x 260 mm



### As special accessories available:

#### Sanding belt-set 3-pcs

Grains 60-80-120

#### Sanding discs (Velcro-type)-set 3-pcs

Grains 80-120-180

Art.-No.: **44.198.30**

Bar-Code: 4006825443783

Art.-No.: **44.198.45**

Bar-Code: 4006825443776