

Einhell

BLUE

BG-RT 1340 M Electric Tiller

Art.-No. 34.310.30

Features

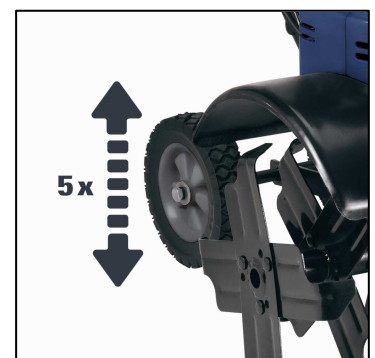
- Twin-hand safety switch (1)
- Ergonomical, foldable guidance bar (2)
- Sturdy chopping knives (3)
- 5-fold height adjustable wheels
- Cable strain relief
- Carrying handle

Technical Data

- Mains: 230 V ~ 50 Hz
- Power: 1,300 Watt
- Working width: 400 mm
- Working depth: max. 200 mm
- Chopping knives: 6 pcs / Ø 23 cm
- Forward gear: 1
- Idle speed: 110 min⁻¹
- Product weight: 15.65 kg

Logistic Data

- Gross weight: 18 kg
- Packing dimensions: 550 x 420 x 410 mm
- Bar code: 4006825569810
- Sales unit: 1 pc



Abbildungen können nicht im Serien-Lieferumfang enthaltenes Zubehör darstellen / Illustrations can contain accessories, which are not included in standard extent of delivery. Abbildungen ähnlich, produktionsbedingte Abweichung vorbehalten / Illustration similar (in design), production-wise modifications reserved.

File: V:\Einhell-AG\TP-BK\2013\TL\T-Sek\01-Sek-allgemein\Azubi\PA04-I-No-Wechsel-Anpassung-08-2013\Originale Englisch-Vorgaenger-Version\3431030_11022.doc

Erstelldatum/create date: 14.04.2010 12:45:00Aktualisiert/up dated: 28.08.2013