



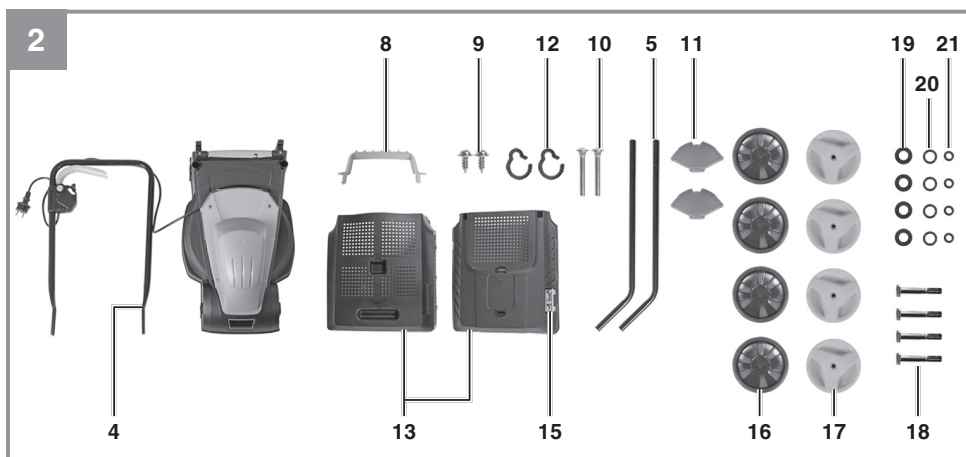
GC-EM 1032

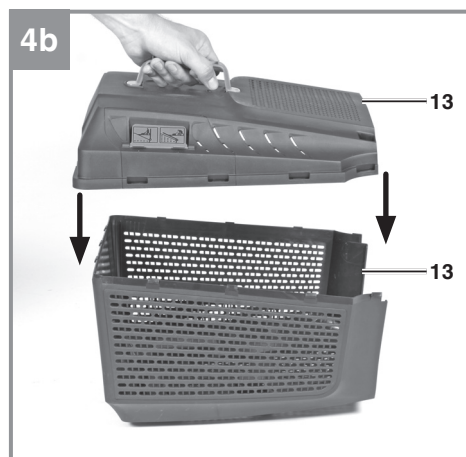
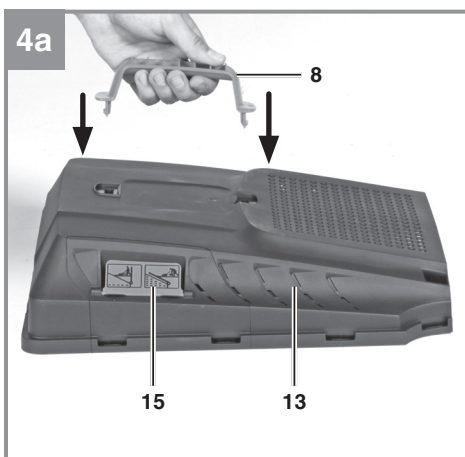
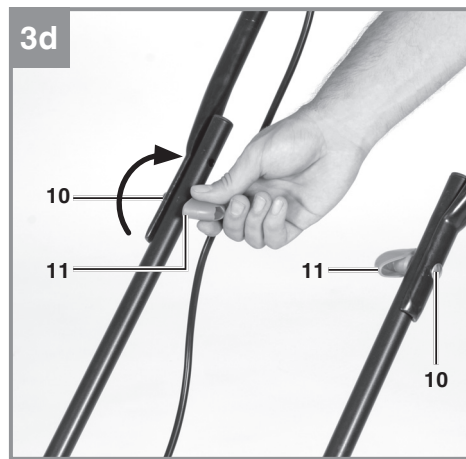
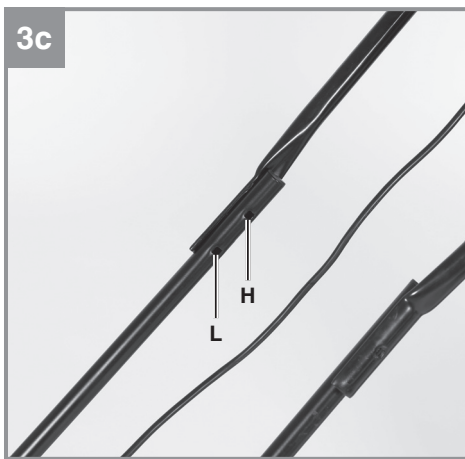
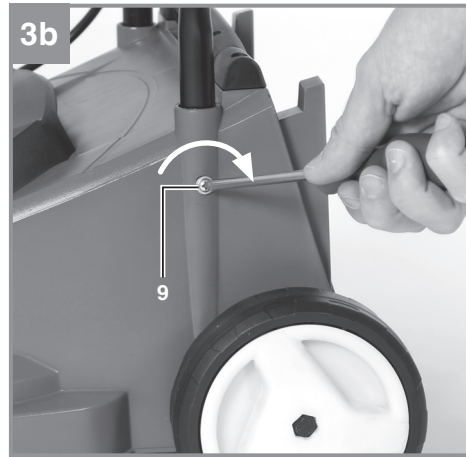
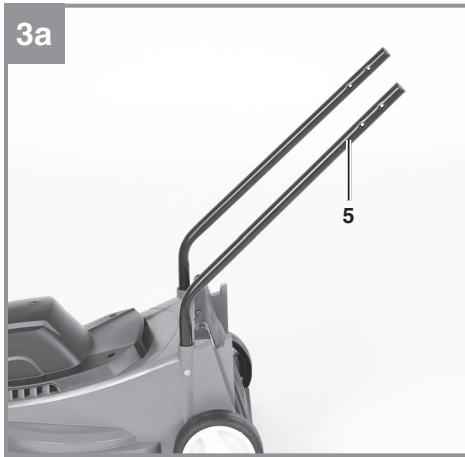
**GB Original operating instructions
Electric Lawn Mower**

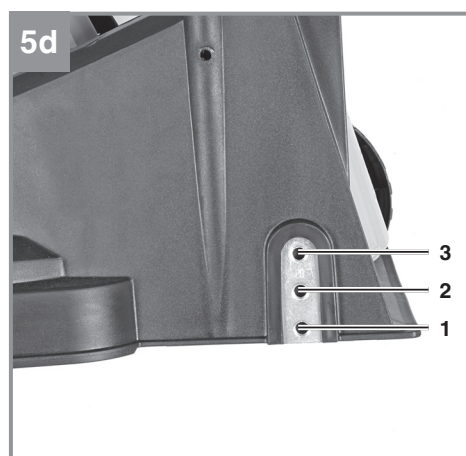
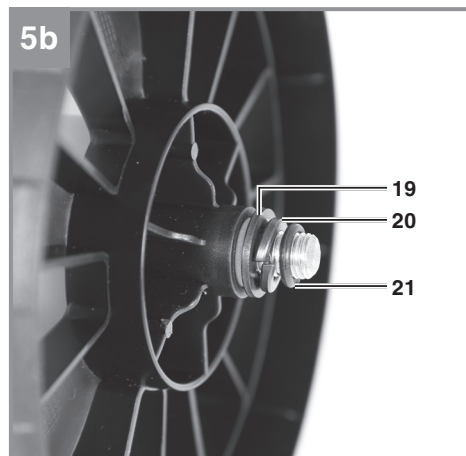
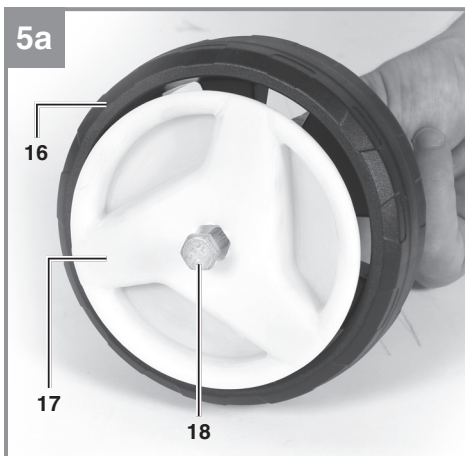
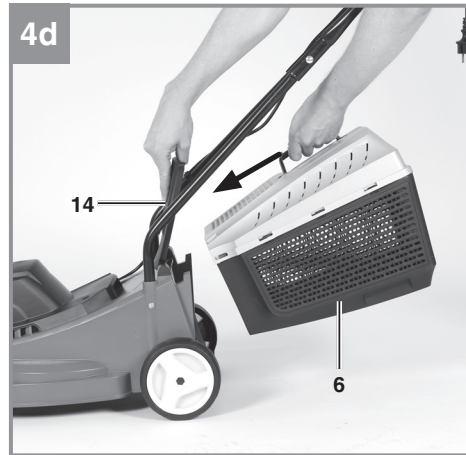
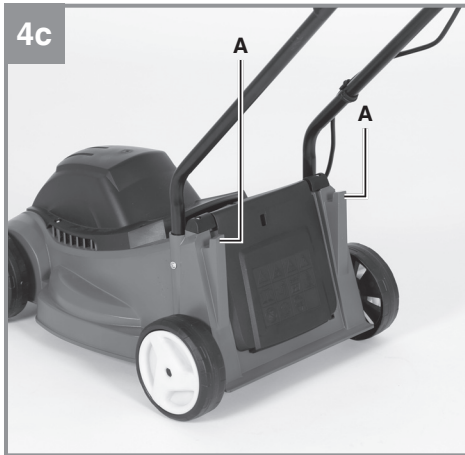


Art.-Nr.: 34.002.59

I.-Nr.: 21013







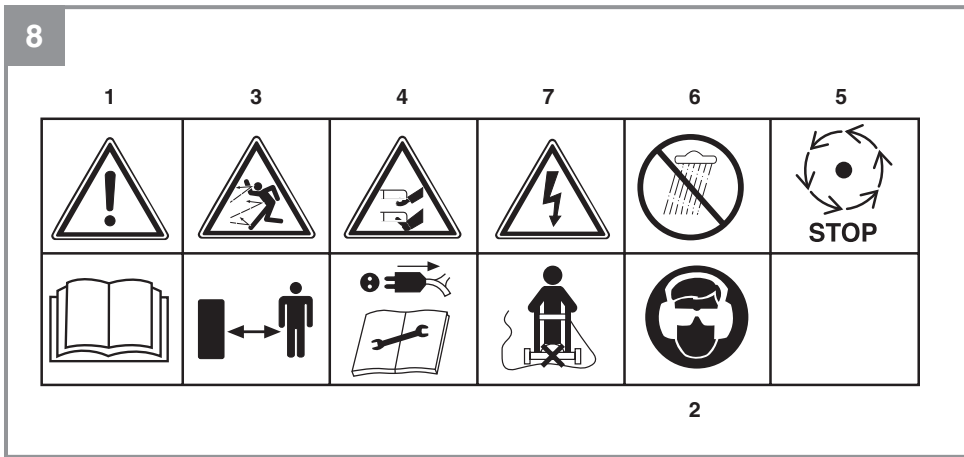
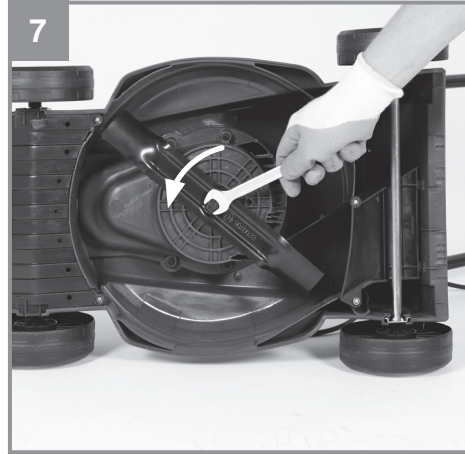
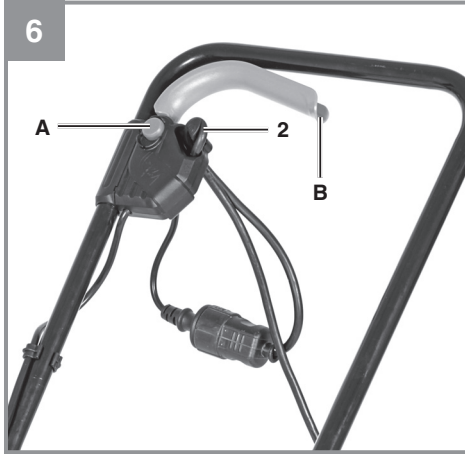


Table of contents

1. Safety regulations
2. Layout and items supplied
3. Proper use
4. Technical data
5. Before starting the equipment
6. Operation
7. Replacing the power cable
8. Cleaning, maintenance and ordering of spare parts
9. Disposal and recycling
10. Storage
11. Troubleshooting



Danger! - Read the operating instructions to reduce the risk of injury

This equipment is not allowed to be used by children. Children should be supervised so that they do not play with the equipment. Children are not allowed to carry out the cleaning or maintenance. This equipment is not allowed to be used by people with limited physical, sensory or mental capacities or by those with insufficient knowledge or experience unless they are supervised or instructed by a person who is responsible for them.

If the power cable for this equipment is damaged, it must be replaced by the manufacturer or its after-sales service or similarly trained personnel to avoid danger.

Danger!

When using the equipment, a few safety precautions must be observed to avoid injuries and damage. Please read the complete operating instructions and safety regulations with due care. Keep this manual in a safe place, so that the information is available at all times. If you give the equipment to any other person, hand over these operating instructions and safety regulations as well. We cannot accept any liability for damage or accidents which arise due to a failure to follow these instructions and the safety instructions.

1. Safety regulations

The corresponding safety information can be found in the enclosed booklet.

Danger!**Read all safety regulations and instructions.**

Any errors made in following the safety regulations and instructions may result in an electric shock, fire and/or serious injury.

Keep all safety regulations and instructions in a safe place for future use.**Explanation of the warning signs on the equipment (see Fig. 8)**

- 1 = Read the directions for use before operating the equipment
- 2 = Wear ear guards and goggles
- 3 = Keep all other persons away from the danger zone
- 4 = Caution! -Sharp blades- Before carrying out any maintenance work or if you damage the cable, pull the plug out of the socket.
- 5 = Caution: The cutters continue to run after the motor is switched off
- 6 = Do not expose the equipment to rain or moisture
- 7 = Caution: Keep the power cable away from the cutters!

General safety information for power tools

The term „power tool“ used in the safety information and instructions refers to power tools operated from the mains power supply (with a power cable) and to battery operated power tools (without a power cable).

1. Workplace safety

- a) **Keep your work area clean and well lit.** Untidy or unlit work areas can result in accidents.
- b) **Do not use this power tool in an area where there is a risk of explosion and where there are inflammable liquids, gases or dust.** Power tools generate sparks that can ignite dust or vapors.
- c) **Keep children and other people away from the power tool while you are using it.** If you are distracted you may lose control of the power tool.

2. Electrical safety

- a) **The plug on the power tool must fit into the socket. The socket must not be modified in any way. Do not use adapter plugs together with power tools with a protective earth.** Unmodified plugs and matching sockets will reduce the risk of an electric shock.
- b) **Avoid body contact with earthed surfaces such as pipes, heating systems, stoves and refrigerators.** There is an increased risk of suffering an electric shock if your body is earthed.
- c) **Keep the power tool out of the rain and away from moisture.** The ingress of water into an electric power tool increases the risk of an electric shock.
- d) **Do not use the power cable for a purpose for which it is not designed, for example to carry the power tool, hang it up or to pull the plug out of the socket. Keep the power cable away from heat, oil, sharp edges and moving parts.** Power cables that are damaged or tangled increase the risk of an electric shock.
- e) **If you use an electric power tool outdoors, use only extension cables that are suitable for outdoor use.** The use of an extension cable which is suitable for outdoor use reduces the risk of an electric shock.
- f) **If you cannot avoid using the power tool in a damp location, use a residual current device (RCD) circuit breaker.** The use of a residual current device (RCD) circuit breaker will reduce the risk of suffering an electric shock.

3. Safety of persons

- a) **Be careful, watch what you are doing and be sensible and responsible when using an electric power tool. Never use the power tool if you are tired or under the influ-**

ence of drugs, alcohol or medication. One moment of inattention when using the electric tool can result in serious injuries.

- b) **Wear personal safety equipment and always wear safety goggles.** Wearing personal safety equipment such as dust masks, non-slip safety shoes, a helmet or ear plugs, depending on the type and application of the tool, reduces the risk of injury.
 - c) **Make sure that the tool cannot start up accidentally. Ensure that the power tool is switched off before you connect it to the power supply and/or connect the battery pack, pick it up or carry it.** If you have your finger on the switch while carrying the power tool or if you connect the power tool to the power supply while it is switched on, this may cause accidents.
 - d) **Remove all adjusting tools or wrenches before you switch on the power tool.** Any tool or wrench in a rotating part of the power tool could cause injuries.
 - e) **Avoid abnormal working postures. Make sure you stand squarely and keep your balance at all times.** This will enable you to control the power tool better in unexpected situations.
 - f) **Wear suitable clothes. Never wear loose fitting clothes or jewelry. Keep hair and clothing away from moving parts.** Loose clothing, jewelry or long hair can be caught by moving parts.
 - g) **If dust extraction devices and dust collection devices can be fitted, they must be connected and must be used correctly.** The use of a dust extractor can reduce the dangers posed by dust.
 - h) **Do not allow yourself to be lulled into a false sense of security and do not ignore the safety regulations covering electric power tools, even if you are familiar with the power tool after having used it many times.** Carelessness can lead to serious injuries in just a fraction of a second.
- 4. Using and handling the power tool**
- a) **Do not overload your power tool. Use the correct electric tool for the job in hand.** The correct tool will enable you to work better and more safely within the specific performance range.
 - b) **Do not use an electric power tool if the switch is defective.** An electric power tool that cannot be switched on or off is dangerous and must be repaired.
- c) **Pull the plug out of the socket and/or remove the removable battery pack before making any adjustments to the tool, changing plug-in tool parts or putting the power tool down.** These precautions will prevent the power tool starting accidentally.
 - d) **Keep unused electric tools out of the reach of children. Do not allow people who are not familiar with the power tool or who have not read these instructions to use the power tool.** Electric tools are dangerous if they are used by inexperienced people.
 - e) **Look after power tools and plug-in tools with care. Check that moving parts function correctly and do not jam, and whether any parts are broken or damaged such that they adversely affect the function of the power tool. Have damaged parts repaired before you use the power tool.** Many accidents are caused by poorly maintained electric tools.
 - f) **Keep cutting tools sharp and clean.** Carefully maintained cutting tools with sharp cutting edges will jam less and are easier to control.
 - g) **Use the power tool, plug-in tools, etc. as set out in these instructions. Take account of the conditions in your work area and the job in hand.** Using electric tools for purposes other than the one for which they are designed can result in dangerous situations.
 - h) **Keep the handles and grip surfaces dry, clean and free from oil and grease.** If the handles and grip surfaces are slippery, it will not be possible to operate and control the power tool safely in unforeseen situations.
- 5. Service**
- a) **Have your power tool repaired only by trained personnel using only genuine spare parts.** This will ensure that your power tool remains safe to use.
- Safety Information for Electric Lawn Mowers**
- a) **Never use the lawn mower in poor weather conditions, especially not during thunder storms.** *This will reduce the risk of being struck by lightning.*
 - b) **Thoroughly check the work area for wild animals.** *Wild animals can be injured by the moving machine.*
 - c) **Thoroughly check the work area and remove all stones, sticks, wire, bones and**

other foreign bodies. Foreign bodies could cause injury if catapulted into the surroundings.

- d) **Each time before using the lawn mower check if the mower blades and the mower unit show signs of wear or damage.** Worn or damaged parts will increase the risk of injury.
- e) **Before use, check the supply cord and any extension cord for signs of damage or aging. Do not use the lawnmower if the cord is damaged or worn. If the cord is damaged or worn during use, switch off the lawnmower and do not touch the cord before disconnecting it from the supply.** A damaged supply cord or extension cord may result in electric shock, fire and/or serious injury.
- f) **Check the grass catch unit regularly for wear and damage.** A worn or damaged grass catch unit will increase the risk of injury.
- g) **Leave the safety guards in place. Safety guards must be in proper working order and correctly secured.** A loose, damaged or defective safety guard could result in injuries.
- h) **Keep the openings to the cooling air vents free of deposits.** Blocked air vents and deposits can lead to overheating or risk of fire.
- i) **Always wear non-slip safety shoes when using the machine. Never work in bare feet or wearing open sandals.** This way you will reduce the risk of you injuring your feet through contact with the rotating mower blade.
- j) **Always wear long trousers when using the machine.** Bare skin will increase the probability of injury from foreign bodies catapulted into the surroundings.
- k) **Do not use the lawn mower in wet grass. Always walk. Never run.** This will reduce the risk of you slipping and falling, and the risk of resulting injuries.
- l) **Do not use the lawn mower on overly steep slopes.** This will reduce the risk of you losing control, slipping and falling, and the risk of resulting injuries.
- m) **Take care to maintain a steady footing when working on slopes; always work across slopes, never straight up or straight down; be particularly careful when changing the direction in which you are working.** This will reduce the risk of you losing

control, slipping and falling, and the risk of resulting injuries.

- n) **Be particularly careful when mowing backwards and when you pull the lawn mower toward yourself. Always pay attention to your surroundings.** This will reduce the risk of you stumbling while you are working.
- o) **Keep the supply cord away from the cutting blades.** A damaged supply cord may result in electric shock, fire and/or serious injury.
- p) **Switch off and remove plug from mains if the cord is entangled or damaged.** Entangled or damaged cords can increase the risk of electric shock.
- q) **Do not touch any blades or any other dangerous parts while they are still moving.** This will reduce the risk of you being injured by moving parts.
- r) **Make sure that all switches are OFF and that the safety plug/battery has been removed before you remove any jammed material or clean the lawn mower.** Unintentional actuation of the lawn mower could result in serious injuries.

Supplementary information

- Switch the mower off, pull the plug and wait until the cutters have reached a complete standstill if you need to tip the mower over, transport it over surfaces other than grass and if the mower has to be moved from and to the area you wish to mow.
 - The lawn mower should not be tilted when the motor is switch on unless it has to be raised for starting purposes. In this case, tilt it as little as absolutely necessary and raise only the side opposite to that of the user.
 - Switch off the motor and pull the plug out of the socket. Make sure that all moving parts have reached a complete standstill:
 - Whenever you leave the lawn mower unattended.
 - Before you dislodge any blockages or clogs in the chute.
 - Before you carry out any checks, cleaning, maintenance or other work on the lawn mower.
 - If you have struck a foreign object.
- Examine the mower for signs of damage and carry out any necessary repairs before restarting and continuing to work with the lawn mower. If the lawn mower begins to experience

exceptionally strong vibrations, you must check it immediately:

- Search for damage;
- Repair the damaged parts as required;
- Make sure that all nuts, bolts and screws are fastened securely.

Maintenance and storage

- a) Make sure that all nuts, bolts and screws are tightened securely and that the machine is in safe working condition.
- b) Allow the lawn mower to cool before you put it into an enclosed area.
- c) Routinely check the grass catch unit for signs of wear and impaired functionality.
- d) Take care not to jam your fingers between moving blades and stationary parts of the equipment while you are adjusting the equipment.
- e) While you are carrying out maintenance work on the blades, remember that the blades can still be moved even if the power source has been switched off.
- f) For safety reasons, replace worn or damaged parts. Use only original spare parts and original accessories. Poor maintenance, the use of non-approved accessories and the removal or modification of safety components can result in damage to the machine and very serious injuries.
- g) Empty the catch basket before you put the machine into storage.

2. Layout and items supplied

2.1 Layout (Fig. 1/2)

1. On/Off switch
2. Strain-relief clip
3. Power plug
4. Top push bar
5. Bottom push bar
6. Catch basket
7. Carry-handle
8. Grass box handle
9. Fastening screws for bottom push bar
10. Fastening screws for top push bar
11. Fastening nuts for top push bar
12. Cable clips
13. Grass box housing halves
14. Ejector flap
15. Level indicator
16. Wheels
17. Wheel caps
18. Wheel fastening screw
19. Washers for wheels
20. Spring washers for wheels
21. Locking rings for wheels

2.2 Items supplied

Please check that the article is complete as specified in the scope of delivery. If parts are missing, please contact our service center or the sales outlet where you made your purchase at the latest within 5 working days after purchasing the product and upon presentation of a valid bill of purchase. Also, refer to the warranty table in the service information at the end of the operating instructions.

- Open the packaging and take out the equipment with care.
- Remove the packaging material and any packaging and/or transportation braces (if available).
- Check to see if all items are supplied.
- Inspect the equipment and accessories for transport damage.
- If possible, please keep the packaging until the end of the guarantee period.

Danger!

The equipment and packaging material are not toys. Do not let children play with plastic bags, foils or small parts. There is a danger of swallowing or suffocating!

- Electric lawn mower
- Grass basket

- Original operating instructions
- Safety instructions

3. Proper use

The lawn mower is intended for private use, i.e. for use in home and gardening environments.

Private use of the lawn mower refers an annual operating time generally not exceeding that of 50 hours, during which time the equipment is primarily used to maintain small-scale, residential lawns and home/hobby gardens. Public facilities, sporting halls, and agricultural/forestry applications are excluded.

Important! Due to the high risk of bodily injury to the user, the lawn mower may not be used to trim bushes, hedges or shrubs, to cut scaling vegetation, planted roofs, or balcony-grown grass, to clean (suck up) dirt and debris off walkways, or to chop up tree or hedge clippings. Moreover, the lawn mower may not be used as a power cultivator to level out high areas such as molehills.

For safety reasons, the lawn mower may not be used as a drive unit for other work tools or toolkits of any kind, unless they have been expressly permitted by the manufacturer.

The equipment is to be used only for its prescribed purpose. Any other use is deemed to be a case of misuse. The user / operator and not the manufacturer will be liable for any damage or injuries of any kind caused as a result of this.

Please note that our equipment has not been designed for use in commercial, trade or industrial applications. Our warranty will be voided if the machine is used in commercial, trade or industrial businesses or for equivalent purposes.

4. Technical data

Mains voltage: 220-240 V ~ 50Hz
 Power consumption: 1000 W
 Motor speed: 3500 min⁻¹
 Cutting width: 32 cm
 Cutting height adjustment: 20-60 mm; 3 levels
 Grass basket capacity: 30 liters
 L_{pA} sound pressure level: 86 dB(A)
 K_{pA} uncertainty: 3 dB(A)
 L_{WA} sound power level measured: 93.2 dB(A)
 K_{WA} uncertainty: 2.18 dB(A)
 L_{WA} sound power level guaranteed: 96 dB(A)
 Vibration at the handlebars a_h: < 2.5 m/s²
 Protection class: II/□
 Weight: 9.1 kg

Danger!

Sound and vibration

Sound and vibration values were measured in accordance with the standards EN ISO 3744:1995, EN ISO 11201:1995 and EN ISO 20643:2005.

Keep the noise emissions and vibrations to a minimum.

- Only use appliances which are in perfect working order.
- Service and clean the appliance regularly.
- Adapt your working style to suit the appliance.
- Do not overload the appliance.
- Have the appliance serviced whenever necessary.
- Switch the appliance off when it is not in use.
- Wear protective gloves.
- Limit your working time

Caution!

Residual risks

Even if you use this electric power tool in accordance with instructions, certain residual risks cannot be ruled out. The following hazards may arise in connection with the equipment's construction and layout:

1. Lung damage if no suitable protective dust mask is used.
2. Damage to hearing if no suitable ear protection is used.
3. Health damage caused by hand-arm vibrations if the equipment is used over a prolonged period or is not properly guided and maintained.

5. Before starting the equipment

Before you connect the equipment to the mains supply make sure that the data on the rating plate are identical to the mains data.

Warning!

Always pull the power plug before making adjustments to the equipment.

The lawn mower is delivered unassembled. The complete push bar, the wheels and the catch basket must be fitted before using the lawn mower. Follow the operating instructions step-by-step and use the pictures provided as a visual guide to easily assemble the equipment.

Fitting the push bar (Fig. 3a to 3d)

Fit a bottom push bar (Fig. 3a/Item 5) into the opening provided for it (Fig. 3a) and secure it with the fastening screw for the bottom push bar (Fig. 3b/Item 9) as shown in Fig. 3b. Proceed in the same way on the other side.

When you fit the top push bar you can decide the height of the push bar by selecting the appropriate fastening hole (Fig. 3c). Fasten the top push bar using either the holes L for a low position or H for a high position. To do so, fasten the top push bar to the bottom push bar with a fastening screw for the top push bar (Fig. 3d/Item 10).

Mounting the catch basket (Fig. 4a to 4d)

First, press the catch basket handle (Item 8) into the openings on the top half of the catch basket housing (Item 13). Then fit the two halves of the catch basket housing (Fig. 4b/Item 13) together. Ensure that all the plastic lugs engage correctly. Before you fit the catch basket you must ensure that the motor is switched off and the blade is not rotating any more. The catch basket must be attached to the two hooks on the mower (Fig. 4c/Item A). To do this, open the ejector flap with one hand (Fig. 4d/Item 14) and attach the catch basket with the other hand as shown in Figure 4d. The ejector flap is held against the grass box by a spring.

Filling level indicator of the grass collector

The grass collector is equipped with a filling level indicator (Fig. 2/Item 15) which is opened by the airflow that the lawn mower generates during operation. If the flap closes during mowing, the grass collecting device is full and must be emptied. To ensure the proper functioning of the filling level

indicator, the holes under the flap must always be kept clean and passable.

Fitting the wheels (5a to 5d)

Insert the fastening screw in the wheels together with the wheel caps (Fig. 5a). Then fit the supplied washers, spring washers and locking rings to the screw (Fig. 5b). Make sure you do this in the correct sequence! Fit the four wheels by turning the wheel caps clockwise to tighten them (Fig. 5c). Fit all four wheels in the same position (Fig. 5d).

Adjusting the cutting height

Caution!

Adjust the cutting height only when the motor is switched off and the power cable has been disconnected.

Before you begin to mow, check to ensure that the blade is not blunt and that none of the fasteners are damaged. To prevent any imbalance, replace blunt and/or damaged blades. To carry out this check, first switch off the motor and pull out the power plug.

The cutting height is adjusted as follows. Turn the hub cap counter-clockwise to release the axle (Fig. 5a) and remove the hub cap together with the screw and wheel. The wheel can now be fitted in position 1, 2 or 3 (Fig. 5d) to suit the required cutting height. Fit all four wheels at the same height so that the cutting blade runs parallel to the lawn.

Position Cutting height

1	60 mm
2	40 mm
3	20 mm

Power supply

The lawn mower can be connected to any light socket-outlet with a 220-240 Volt alternating current. However, the socket outlet must have an earthing contact protected by a 16 A circuit breaker. Additionally, a residual current device (RCD) circuit-breaker with max. 30 mA must be used!

Power cable for the device

Please only use power cables that are not damaged. The total length of the power cable should not exceed 50 meters; going beyond this distance will reduce the power output of the electric motor. The power cable must have a cross-section of 3 x 1,5 mm². The insulating sheath of lawn aerator power cables is frequently damaged.

Some of the causes for this are:

- Cuts caused by driving over the cable.
- Pinching when the power cable is dragged under doors and pulled through windows.
- Cracking due to old age of the insulation.
- Kinking by improperly fastening or guiding the power cable.

The power cables must, at the very minimum, be of type HO5RN-F and 3-stranded. The cable type must be printed somewhere on the power cable. Only purchase power cables that are marked! Plugs and socket couplers for the power cables must be made from rubber and splash-proof. There is a limit to how long power cables can be. Longer power cables require larger conductor cross-sections. Power cables and connecting lines must be regularly checked for damage. Ensure that the lines are switched off before checking them. Completely unwind the power cable. Also check power cable entry points, plugs and socket couplers for kinks.

6. Operation

Connect the plug (Fig. 1/Item 3) to an extension cable. It is imperative to secure the extension cable with the cable grip as shown in Fig. 6.

Caution!

To prevent the machine switching on accidentally, the lawn mower is equipped with a safety lock-off (Fig. 6/Item A) which must be pressed before the switching bar (Fig. 6/Item B) can be activated. The lawn mower switches itself off when the switching bar is released. Repeat this process several times so that you are sure that the machine functions properly. Before you perform any repair or maintenance work on the equipment, ensure that the blade is not rotating and that the power supply is disconnected.

Caution! Never open the chute flap when the grass bag has been detached (to be emptied) and the motor is still running. A rotating blade can cause serious injuries!

Always carefully fasten the chute flap and grass basket. Switch off the engine before emptying the grass basket.

Always ensure that a safe distance (provided by the length of the long handles) is maintained

between the user and the mower housing. Be especially careful when mowing and changing direction on slopes and inclines. Maintain a solid footing and wear sturdy, non-slip footwear and long trousers.

Always mow along the incline (not up and down). For safety reasons, the lawn mower may not be used to mow inclines whose gradient exceeds 15 degrees.

Use special caution when backing up and pulling the lawn mower. Tripping hazard!

Tips for proper mowing

It is recommended that you overlap the mowing swaths.

Only use a sharp blade that is in good condition. This will prevent the grass blades from fraying and the lawn from turning yellow.

Try to mow in straight lines for a nice, clean look. The swaths should overlap each other by a few centimeters in order to avoid stripes.

How frequently you should mow your lawn is determined primarily by the speed at which the grass grows. In the main growing season (May - June) you will probably need to mow the lawn twice a week, otherwise just once a week. The cutting height should be between 4 - 6cm and the amount of growth before mowing again should be 4 - 5cm. If the grass is allowed to grow somewhat longer for whatever reason, do not make the mistake of cutting it back to the normal height in one go. This will harm the lawn. Never cut it back by more than half the height in one go. Keep the underside of the mower housing clean and remove grass build-up. Deposits not only make it more difficult to start the mower; they decrease the quality of the cut and make it harder for the equipment to bag the grass.

Always mow along inclines (not up and down). You can prevent the lawn mower from slipping down by holding a position at an angle upwards.

Select the cutting height according to the length of the grass. Make several passes so that no more than 4cm of grass are cut at one time.

Switch off the motor before doing any checks on the blade. Keep in mind that the blade continues to rotate for a few seconds after the motor has been switched off. Never attempt to manually stop the blade. Regularly check to see if the

blade is securely attached, is in good condition and is sharp. If the contrary is the case, sharpen the blade or replace it. In the event that the blade strikes an object, immediately switch off the lawn mower and wait for the blade to come to a complete stop. Then inspect the condition of the blade and the blade mount. Replace any parts that are damaged.

Lay the power cable on the ground in loops in front of the power outlet. Mow away from the power outlet and cable, making sure that the power cable always trails in the mowed grass so that the lawn mower does not travel over the cable.

As soon as grass clippings start to trail the lawn mower, it is time to empty the grass basket. Important! Before taking off the grass basket, switch off the motor and wait until the blade has come to a stop.

To take off the grass basket, use one hand to lift up the chute flap and the other to grab onto the basket handle. Remove the basket. For safety reasons, the chute flap automatically falls down after removing the grass basket and closes off the rear chute opening. If any grass remains in the opening, it will be easier to restart the engine if you pull the mower back approximately 1m.

Do not use your hands or feet to remove clippings in or on the mower housing, but instead use suitable tools such as a brush or a hand broom.

In order to ensure that the majority of grass clippings are picked up, the inside of both the catch basket and especially the grill must be cleaned after each use.

Reattach the grass basket only when the motor is switched off and the blade has stopped.

Lift up the chute flap with one hand and, holding the grass basket by its handle with the other hand, hang in the basket from the top.

7. Replacing the power cable

Danger!

If the power cable for this equipment is damaged, it must be replaced by the manufacturer or its after-sales service or similarly trained personnel to avoid danger.

8. Cleaning, maintenance and ordering of spare parts

Danger!

Always pull out the mains power plug before starting any cleaning work.

8.1 Cleaning

- Keep all safety devices, air vents and the motor housing free of dirt and dust as far as possible. Wipe the equipment with a clean cloth or blow it with compressed air at low pressure.
- We recommend that you clean the device immediately each time you have finished using it.
- Clean the equipment regularly with a moist cloth and some soft soap. Do not use cleaning agents or solvents; these could attack the plastic parts of the equipment. Ensure that no water can seep into the device. The ingress of water into an electric tool increases the risk of an electric shock.

8.2 Carbon brushes

In case of excessive sparking, have the carbon brushes checked only by a qualified electrician.

Danger! The carbon brushes should not be replaced by anyone but a qualified electrician.

8.3 Maintenance

- Worn out or damaged blades, blade mounts, and bolts should be replaced as a set by an authorized professional in order to keep the equipment in balance.
- Do not clean the lawn mower with running water, particularly with high-pressure water. Ensure that all mounting components (i.e. screws, bolts, nuts etc.) are always tightened so that the equipment can be safely operated at all times.
- Frequently check the grass catch assembly for signs of wear.
- Replace excessively worn or damaged parts immediately.
- Store your lawn mower in a dry room.
- In order to ensure that you enjoy the equipment for many years to come, all screwed parts, as well as the wheels and axles, should be cleaned and lubricated.
- Keeping your lawn mower in good condition not only ensures a long lifespan and high performance, but also enables the equipment to thoroughly cut your grass with minimal effort.

For best results, clean the lawn mower with a brush or rag. Do not use any solvents or water to remove dirt.

- The blade is subjected to more wear and tear than any other component. Therefore, routinely check the condition of the blade and make sure that it is tightly fastened. If the blade is completely worn out, it must be immediately replaced or ground sharp again. An excessively vibrating mower means that the blade is not properly balanced or has become deformed from striking an object. In this case, the blade must be repaired or replaced.
- There are no parts inside the equipment which require additional maintenance.

8.4 Replacing the blade

For safety reasons, we recommend having the blade replaced by an authorized professional. Important! Wear work gloves! Only replace the blade with a genuine Einhell replacement blade, as this will ensure top performance and safety under all conditions.

Carry out the following steps to change the blade:

1. Undo the fastening screw (see Fig. 7).
2. Remove the blade and replace with a new one.
3. When fitting the blade, make sure it is installed in the right direction. The blade's air vanes must project into the motor compartment.
4. Then retighten the fastening screw with the universal wrench. The tightening torque should be approx. 25 Nm.

At the end of the season, perform a general inspection of the lawn mower and remove any grass and dirt which may have accumulated. At the start of each season, ensure that you check the condition of the blade. If repairs are necessary, please contact our customer service center. Use only genuine spare parts.

8.5 Ordering replacement parts:

Please quote the following data when ordering replacement parts:

- Type of machine
- Article number of the machine
- Identification number of the machine
- Replacement part number of the part required

For our latest prices and information please go to www.Einhell-Service.com

Spare blade art. no.: 34.054.10

9. Disposal and recycling

The equipment is supplied in packaging to prevent it from being damaged in transit. The raw materials in this packaging can be reused or recycled. The equipment and its accessories are made of various types of material, such as metal and plastic. Never place defective equipment in your household refuse. The equipment should be taken to a suitable collection center for proper disposal. If you do not know the whereabouts of such a collection point, you should ask in your local council offices.

10. Storage

Store the equipment and accessories in a dark and dry place at above freezing temperature. The ideal storage temperature is between 5 and 30 °C. Store the electric tool in its original packaging.

11. Troubleshooting

Fault	Possible causes	Remedies
The motor fails to start	<ul style="list-style-type: none"> a) The capacitor is defective b) There is no electricity at the plug c) The cable is defective d) The combined switch/plug is defective e) The connectors have become separated from the motor or the capacitor f) The mower is standing in high grass g) The mower housing is clogged 	<ul style="list-style-type: none"> a) The mower housing is clogged. Have repaired by the Customer Service Center b) Check the cable and the fuse c) Check the cable d) Have repaired by the Customer Service Center e) Have repaired by the Customer Service Center f) Start in low grass or on an area that has already been mowed; change the cutting height if necessary g) Clean the housing so that the blade moves freely
The motor performance drops	<ul style="list-style-type: none"> a) The grass is too high or too damp b) The mower housing is clogged c) The blade is severely worn 	<ul style="list-style-type: none"> a) Correct the cutting height b) Clean the housing c) Replace the blade
Cutting is irregular	<ul style="list-style-type: none"> a) The blade is worn b) Wrong cutting height 	<ul style="list-style-type: none"> a) Replace or sharpen the blade b) Correct the cutting height

Important! For protection, the motor is equipped with a thermal switch which cuts out when the motor is overloaded and switches on again automatically after a short cooling period.

Disposal

Power tools, rechargeable batteries, accessories and packaging should be sorted for environmental-friendly recycling.

Do not dispose of power tools and batteries/rechargeable batteries into household waste!

Only for EU countries:

According to the Directive 2012/19/EU on waste electrical and electronic equipment and its transposition into national law, power tools that are no longer usable, and, according to the Directive 2006/66/EC, defective or drained batteries must be collected separately and disposed of in an environmentally correct manner.

If disposed incorrectly, waste electrical and electronic equipment may have harmful effects on the environment and human health, due to the potential presence of hazardous substances.

Only for United Kingdom:

According to The Waste Electrical and Electronic Equipment Regulations 2013 (SI 2013/3113) (as amended) and the Waste Batteries and Accumulators Regulations 2009 (SI 2009/890) (as amended), products that are no longer usable must be collected separately and disposed of in an environmentally friendly manner.

The reprinting or reproduction by any other means, in whole or in part, of documentation and papers accompanying products is permitted only with the express consent of the Einhell Germany AG.

Subject to technical changes

Service information

We have competent service partners in all countries named on the guarantee certificate whose contact details can also be found on the guarantee certificate. These partners will help you with all service requests such as repairs, spare and wearing part orders or the purchase of consumables.

Please note that the following parts of this product are subject to normal or natural wear and that the following parts are therefore also required for use as consumables.

Category	Example
Wear parts*	V-belt, carbon brushes
Consumables*	Blade
Missing parts	

* Not necessarily included in the scope of delivery!

In the event of defects or faults, please register the problem on the internet at www.Einhell-Service.com. Please ensure that you provide a precise description of the problem and answer the following questions in all cases:

- Did the equipment work at all or was it defective from the beginning?
- Did you notice anything (symptom or defect) prior to the failure?
- What malfunction does the equipment have in your opinion (main symptom)?
Describe this malfunction.

Warranty certificate

Dear Customer,

All of our products undergo strict quality checks to ensure that they reach you in perfect condition. In the unlikely event that this equipment develops a fault, please contact our service department at the address shown on this guarantee card. You can also contact us by telephone using the service number shown. Please note the following terms under which guarantee claims can be made:

1. These guarantee terms apply solely to consumers, i.e. natural persons, who do not want to use this product in connection with either their commercial or other self-employed activities. These guarantee terms regulate additional guarantee services which the undermentioned manufacturer promises to buyers of its new products in addition to their statutory rights of guarantee. Your statutory rights of guarantee are not affected by this guarantee. Our guarantee is free of charge to you.
2. The guarantee services cover only defects due to material or manufacturing faults on the new product which you have bought in the European Union from the undermentioned manufacturer and are limited to either the rectification of said defects or the replacement of the product, whichever we prefer. Please note that only equipment under the brand name "Professional" has been designed for use in commercial, trade or professional applications. For all other products the guarantee is invalidated if the equipment is used within the guarantee period in commercial, trade or industrial applications or for other equivalent activities.
3. Our guarantee does not cover:
 - Damage to the equipment caused by failure to comply with the installation/assembly instructions or by unprofessional installation; damage caused by failure to comply with the operating instructions (e.g. connection to the wrong mains voltage or current type); damage caused by failure to comply with the maintenance and safety regulations; damage caused by exposing the equipment to abnormal environmental conditions; damage resulting from poor care and maintenance.
 - Damage to the equipment caused by misuse or incorrect applications (e.g. overloading the equipment or using non-approved attachments or accessories); damage caused by foreign bodies (e.g. sand, stones, dust, ...) getting inside the equipment. Damage in transit; damage caused by force or external influences (e.g. by dropping the equipment).
 - Damage to the equipment or parts of the equipment which is owed to use-related, normal or otherwise natural wear. For example, batteries and battery packs are manufactured with a cycle limit for design-related reasons. Wear is negatively influenced in particular by load demands and charging speeds as well as exposure to heat, cold, vibration and impact.
4. The guarantee is valid for a period of 2 years starting from the purchase date of the equipment. Guarantee claims must be submitted before the end of the guarantee period and within two weeks of the defect being noticed. No guarantee claims will be accepted after the end of the guarantee period. The original guarantee period remains applicable to the equipment even if repairs are carried out or parts are replaced. In such cases, the work performed or parts fitted will not result in an extension of the guarantee period, and no new guarantee will become active for the work performed or for any replacement parts fitted. This also applies if on-site service is used.
5. To assert your guarantee claim, register the defective equipment at: www.Einhell-Service.com. You will need to provide proof of purchase of the new item of equipment. Equipment returned without such proof or without a rating plate are excluded from the guarantee services because of the lack of traceability. If the defect is covered by our guarantee, then either the item in question will be repaired immediately and returned to you or we will send you a new replacement.
6. If you have taken the equipment with you to a different EU country than where you bought it, we will arrange for a local service partner to provide the guarantee services. If you take the equipment outside the EU, the guarantee will not apply.

Of course, we are also happy to offer a chargeable repair service for any defects which are not covered or no longer covered by the scope of this guarantee. To take advantage of this service, please send the equipment to our service address. We draw attention to the restrictions of this guarantee concerning wear parts, consumables and missing parts as presented in the service information included in this operating manual.

Warrantor/ Service:

Einhell UK Ltd, Unit 10, 1st Floor, Champion's Business Park, Arrowse Brook Road, Upton, Wirral, CH49 0UQ



- D** Konformitätserklärung: Wir erklären Konformität gemäß EU-Richtlinie und Normen für Artikel
- GB** Declaration of conformity: We declare conformity in accordance with the EU directive and standards for article
- F** Déclaration de conformité : Nous déclarons la conformité conformément aux directives et normes UE pour l'article
- I** Dichiarazione di conformità: dichiariamo la conformità secondo la direttiva UE e le norme per l'articolo
- DK** Overensstemmelseserklæring: Vi atterer overensstemmelse iht. EU-direktiv samt standarder for artikel
- S** Försäkran om överensstämmelse: Vi förklarar följande överensstämmelse enl. EU-direktiv och standarder för artikeln
- CZ** Prohlášení o shodě: Prohlašujeme shodu podle směrnice EU a norem pro výrobek
- SK** Vyhlásenie o zhode: Vyhlasujeme zhodu podľa smernice EÚ a noriem pre výrobok
- NL** Conformiteitsverklaring: wij verklaren conformiteit conform EU-richtlijn en normen voor artikel
- E** Declaración de conformidad: declaramos la conformidad a tenor de la directiva y normas de la UE para el artículo
- FIN** Standardinmukaisuus todistus: Me vakuutamme, että EU-direktiivin ja standardien vaatimukset täyttyvät tuotteelle
- SLO** IZJAVA O SKLADNOSTI potrjuje sledečo skladnost s smernico EU in standardi za izdelek
- H** Konformitási nyilatkozat: Az EU-irányvonal és normák szerinti konformitást jelentjük ki a cikkhez
- RO** Declarație de conformitate: Declaram conformitate conform directivei și normelor UE pentru articolul
- GR** Δήλωση συμμόρφωσης: Δηλώνουμε συμμόρφωση σύμφωνα με Οδηγία Εε και πρότυπα για τα προϊόντα
- P** Declaração de conformidade: Declaramos a conformidade de acordo com a diretiva CE e normas para o artigo
- HR** IZJAVA O SUKLADNOSTI potvrđuje sljedeću usklađenost prema smjernicama EU i normama za artikl
- BIH** IZJAVA O SUKLADNOSTI potvrđuje sljedeću usklađenost prema smjernicama EU i normama za artikl
- RS** DEKLARACIJA O USUGLAŠENOST potvrđuje sledeću usklađenost prema smernicama EZ i normama za artikl
- TR** Uygunluk Deklarasyonu: AB direktifi ve ürün standartları uyarınca uygunluğunu beyan ederiz
- RUS** Заявление о соответствии товара: Настоящим удостоверяется, что следующие продукты соответствуют директивам и нормам ЕС
- EE** Vastavusdeklaratsioon: Tõendame toote vastavust EL direktiivile ja standarditele
- LV** Atbilstības deklarācija: Mēs apliecinām atbilstību ES direktīvai un standartiem tālāk minētajām precēm
- LT** Atitikties deklaracija: deklaruojame, kad gaminy's atitinka ES direktyvą ir standartus
- PL** Deklaracja Zgodności - deklarujemy zgodność wymienionego poniziej artykułu z następującymi normami na podstawie dyrektywy EU
- BG** Декларация за съответствие: Ние декларираме съответствие на Директивите и нормите (ЕС) за изделия
- UKR** Декларація відповідності: ми заявляємо про відповідність згідно з Директивою ЄС та стандартами стосовно артикула
- MK** Izjava za soobraznost: Izjavuваме soobraznost so regulativata i so normite na EV za artikli
- N** Samsvarserklæring: Vi erklærer samsvar i henhold til EU-direktiv og standarder for artikkel
- IS** Samræmisýfirlýsing: Við útskúrdum samræmi við EU-reglugerð og stöðlum fyrir vörutegund

Elektro-Rasenmäher* GC-EM 1032 (Einhell)

- 2014/29/EU
- 2005/32/EC_2009/125/EC
- (EU)2015/1188
- 2014/35/EU
- 2006/28/EC
- 2014/30/EU
- 2014/32/EU
- 2014/53/EU
- 2014/68/EU
- (EU)2016/426
- (EU)2016/425
- 2011/65/EU_(EU)2015/863
- 2006/42/EC
- Annex IV
Notified Body:
Reg. No.:
- 2000/14/EC_2005/88/EC
- Annex V
- Annex VI
Noise: measured $L_{WA} = 93,2$ dB (A); guaranteed $L_{WA} = 96$ dB (A)
 $P = kW$; $L/O = 32$ cm
Notified Body: TÜV SÜD Industrie Service GmbH (NB 0036)
- 2012/46/EU_(EU)2016/1628
Emission No.:

Standard references: EN 60335-1; EN 60335-2-77; EN 62233; EN 55014-1;
EN 55014-2; EN 61000-3-2; EN 61000-3-3

Einhell Germany AG · Wiesenweg 22 · D-94405 Landau/Isar

Landau/Isar, den 03.08.2023

Andreas Weichselgartner/General-Manager

Bobby Chen/Product Management

First CE: 19
Art.-No.: 34.002.59 I.-No.: 21013
Subject to change without notice

Archive-File/Record: NAPR030452
Documents registrar: Markus Jehl
Wiesenweg 22, D-94405 Landau/Isar

* GB Electric Lawn Mower - F Tondeuse à gazon électrique - I Tosaerba elettrico - DK/N EI-dreven græsslåmaskine - S Elgräsklippare - CZ Elektrická sekačka - SK Elektrická kosačka - NL Elektrische gazonmaaier - E Cortacésped eléctrico - FIN Sähkökäyttöinen ruohonleikkuri - SLO Električna kosilnica - H Elektromos-Fűnyírógép - RO Motoșoara electrică - R Elektrický úhľoosotník - P Cortavelvas eléctrico - HR/BIH Električna kosilica za travu - RS Električna kosilica - PL Kosiarka elektryczna - TR Elektrikli Çim Bıçma Makinesi - RUS Электрическая машина для подстригания газона - EE Elektriline muruniiduk - LV Elektriskais zāliena pļaujmašīna - LT Elektrinė vejarijovė - BG Электрическа градинарна косачка - UKR Електрична газоносорка - MK Електро-травокосялка - NO Elektrisk plenklipper - IS Rafmagns-slátuvél



Declaration of conformity

We, Einhell UK Ltd

Champions Business Park, First Floor Unit 10, Arrowe Brook Rd, Upton, Wirral CH49 0AB,
United Kingdom

declare the conformity to UK standards and legislation was assessed for:

Electric Lawn Mower GC-EM 1032 (Einhell)

UK legislation

- | | |
|--|--|
| <input type="checkbox"/> Simple Pressure Vessels (Safety) Regulation | <input checked="" type="checkbox"/> Electromagnetic Compatibility Regulation |
| <input type="checkbox"/> Electrical Equipment (Safety) Regulation | <input type="checkbox"/> Measuring Instruments Regulation |
| <input type="checkbox"/> Radio Equipment Regulation | <input type="checkbox"/> Pressure Equipment (Safety) Regulation |
| <input type="checkbox"/> Personal Protective Equipment Regulation | |
| <input type="checkbox"/> The Ecodesign for Energy-Related Products and Energy Information Regulation | |
| <input checked="" type="checkbox"/> The Restriction of the Use of Certain Hazardous Substances in Electrical and Electronic Equipment Regulation | |
| <input checked="" type="checkbox"/> Noise Emission in the Environment by Equipment for use Outdoors Regulation | |
| <input type="checkbox"/> Annex V | |
| <input checked="" type="checkbox"/> Annex VI | |
| Noise: measured L_{WA} = 93,2 dB (A); guaranteed L_{WA} = 96 dB (A)
P = 1 kW; L/Ø = 32 cm
UK Approved Body: TÜV Süd Industrie Service GmbH (NB 0036) | |
| <input checked="" type="checkbox"/> Supply of Machinery (Safety) Regulation | |
| <input type="checkbox"/> Annex IV | |
| UK Approved Body:
UKTE Certificate No.: | |

**Standards: BS EN 60335-1; BS EN 60335-2-77; BS EN EN 62233;
BS EN 55014-1; BS EN 55014-2; BS EN 61000-3-2; BS EN 61000-3-3**

Wirral, 2023.08.03


Tom Chambers, Managing Director Einhell UK Ltd.

Article Number: 34.002.59 I.-No.: 21013
Subject to change without notice

Archive-File/Record: NAPR030452
Documents registrar: Jehl Markus
Wiesenweg 22, 94405 Landau/Isar, Germany



A series of 20 horizontal lines for writing, starting from the line where the pencil is positioned and extending down the page.



EH 10/2023 (01)

