

Einhell®

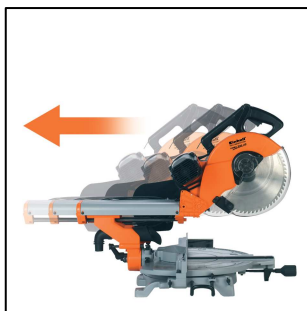
NEW GENERATION

Wide cuts on solid feet!



The sliding cross-cut and mitre table saw for easy, precise and smooth cutting of wood parts.

The saw even allows double mitre cuts thanks to its tilting and swivelling motor head. Thanks to its sliding function, the saw can make cuts up to 330mm wide and is therefore ideal for cutting wide panels and laminate floorboard in one go. **The serially supplied base frame allows working at optimum working heights.**



KGSZ 330 UG Sliding cross-cut and mitre table saw with base frame

Available as special accessory:

Carbide-tipped saw blade:
Ø 305 x Ø 30 x 3.2mm 60 teeth

Art. No.: 45.020.59

Ident. No.: 01014

Bar Code: 4006825 505450



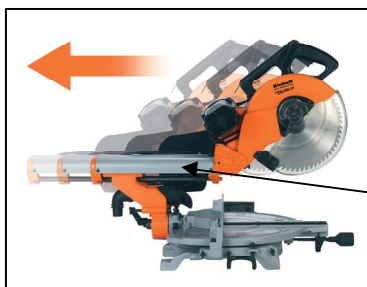
Logistic Information:

Type: KGSZ 330 UG
Art. No.: 43.006.51
Ident. No.: 01014
Bar Code: 4006825 506426
Packing: 1065 x 725 x 585 mm

Sales unit: 1 pc
20`:` 95 pcs
40`:` 191 pcs
40``HC: -- pcs
Weight: 46.0 kgs (gross)



Wide cuts on solid feet!



Sturdy base frame included

Features:

- Slide on pipe-in-pipe support
- Carbide-tipped saw blade with 60 teeth
- Rotating table for precise angle cuts ranging between -45° and $+45^\circ$
- Motor head, continuously tiltable from 0° to $+45^\circ$
- Stable base frame included
- Clamping device for fixation of the workpiece
- Including dust bag and transport locking system
- Including two workpiece support clamps
- End stop for continuous cutting
- Key for saw blade change inside handle

Technical Data:

- Mains: 230V~50Hz
- Power: 1,600 watts
- Idle speed No.: $4,200\text{min}^{-1}$
- Saw blade: $\varnothing 305 \times \varnothing 30 \times 3.2\text{mm}$
- Number of teeth: 60
- Turning range: -45° to $+45^\circ$
- Panels max.: 330 mm
- Mitre cut: 0° to 45°
- Max. cutting width at 90° : 330 x 102 mm
- at 45° : 215 x 102 mm
- at 2 x 45° : 215 x 65 mm
- Working height with base frame: 850 mm

Logistic Information:

Type:	KGSZ 330 UG	Tool:	Sliding cross-cut and mitre table saw
Art. No.:	43.006.51	Sales unit:	1 pc
Ident. No.:	01014	20``:	95 pcs
Bar Code:	4006825 506426	40``:	191 pcs
Packing:	1065 x 725 x 585 mm	40``HC:	-- pcs
		Weight:	46.0 kgs (gross)

