

Router-Set GOFT 1050

Art.-No.: **42.560.62**

Bar-Code: 4006825513257

Sales Unit: 1 pc

In connection with a router, the sturdy, small and handy router-table suits excellently for milling of grooves, angles and all kind of cut-outs. With its plenty of clever details, e.g. easy adjustable parallel stop, additional table extension and variable adjustable pressing relief, it allows secure, fast and accurate operations.

With the router you can mill in woods, lightweight materials and plastics, slots, edges, profiles and long holes. The drills can be simply changed by integrated spindle lock. With the additional speed regulation you can adapt the rotational frequency of the router to the material you are working with.

Features Router-table:

- Table extension (1)
- Sturdy worktop (2)
- Transparent router-cover (3)
- Longitudinal stop (4)
- Pressing relief (5)
- Angle stop (6)
- Connection for dust extraction (7)

Technical data Router-table:

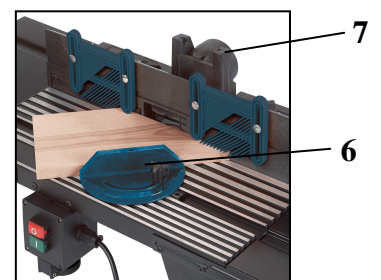
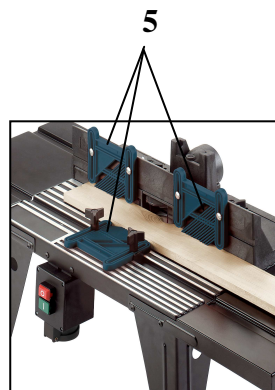
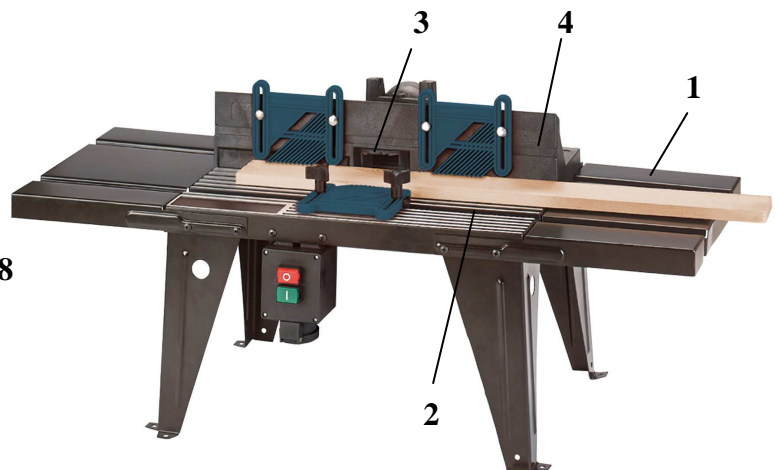
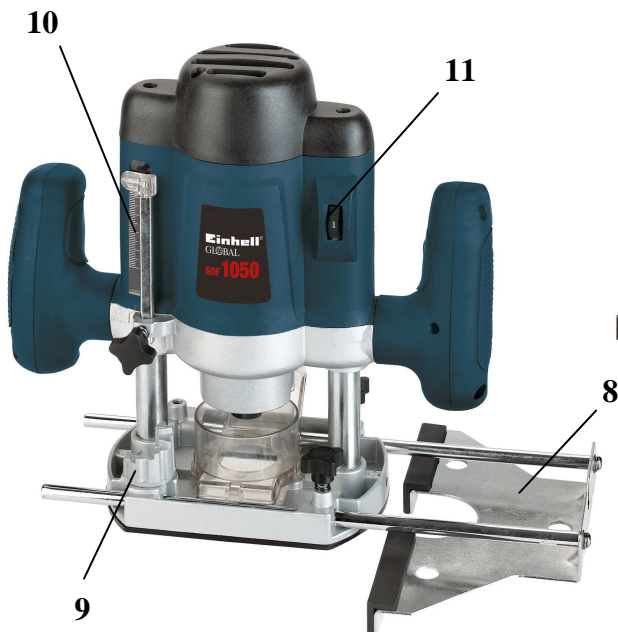
- | | |
|---------------------------|--------------|
| - Mains: | 230 V ~ 50Hz |
| - Table height: | 280 mm |
| - Worktop with extension: | 860 x 335 mm |
| - Worktop: | 450 x 335 mm |

Features Router:

- Parallel stop (8)
- Turret stop (9)
- Focusing scale (10)
- Speed regulation (11)

Technical data Router:

- | | |
|--------------------------|---------------------------------|
| - Mains: | 230 V ~ 50Hz |
| - Power: | 1.200 watts |
| - Idle speed: | 16.000-34.000 min ⁻¹ |
| - Milling depth: | 39 mm |
| - Weight set: | 11,5 kg |
| - Packing dimension set: | 750 x 345 x 165 mm |



Abbildungen können nicht im Serien-Lieferumfang enthaltenes Zubehör darstellen // Illustrations can contain accessories, which are not included in standard extent of delivery.

Abbildungen ähnlich, produktionsbedingte Abweichung vorbehalten // Illustration similar (in design), production-wise modifications reserved

File: G:\Webshop\T-Produktbeschreibung\60\Originale_Englisch_PA04\4256062_01015.doc

Erstelldatum / create date: 02.09.2005 8:20

Aktualisiert / up dated: 13.09.2005