



**Einhell**  
**EXPERT**

**GE-TM 102 B&S**

---

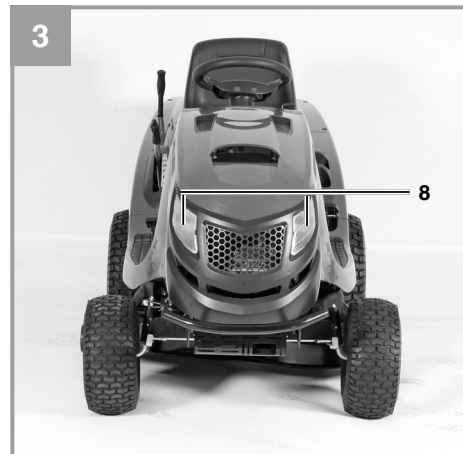
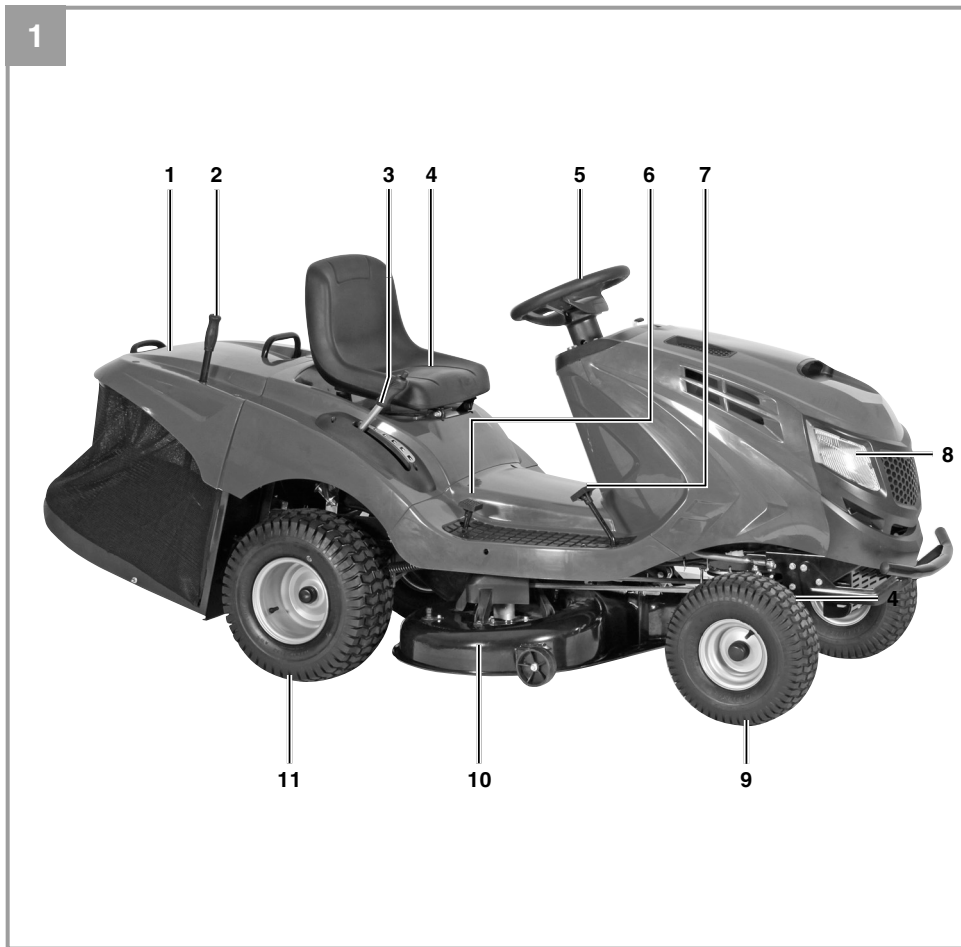
**GB** Product Illustrations for the  
Original Operating Instructions  
Ride - On Mower

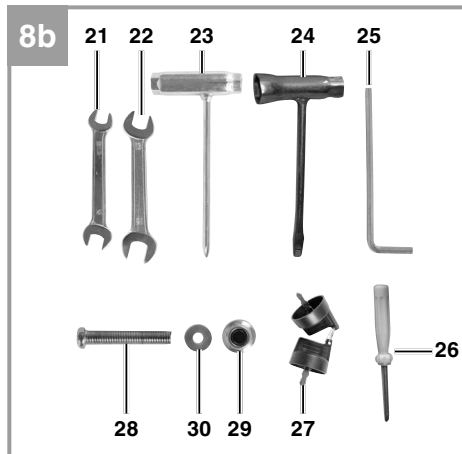
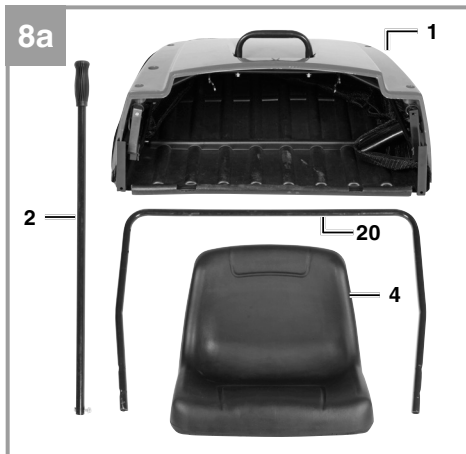
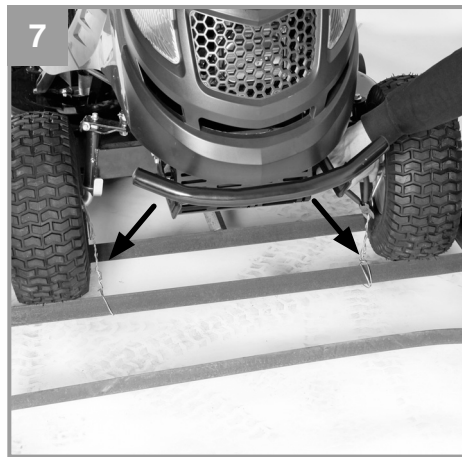
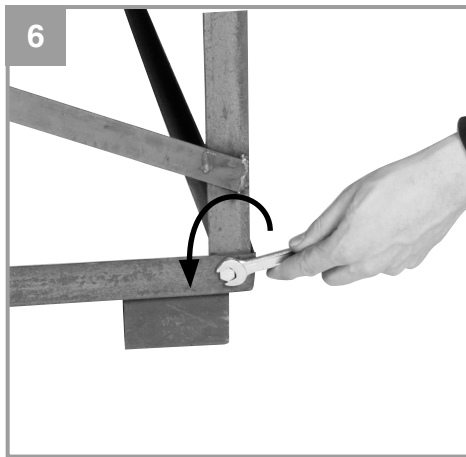
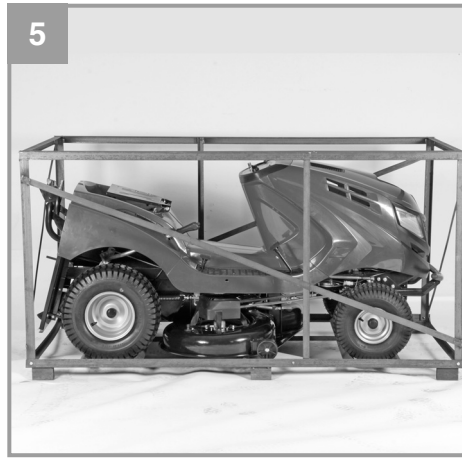
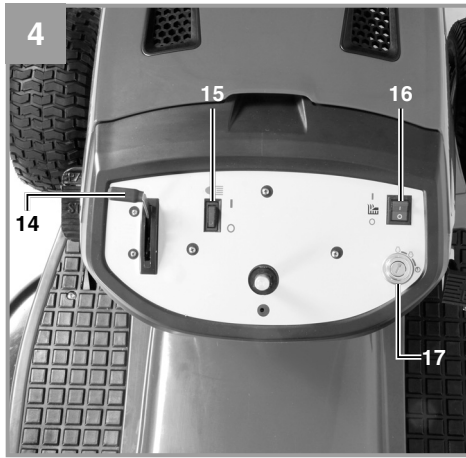
**7**

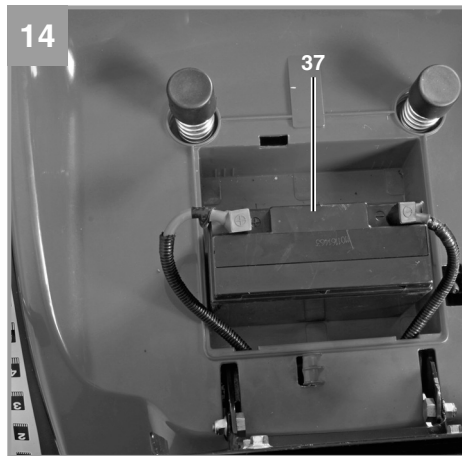
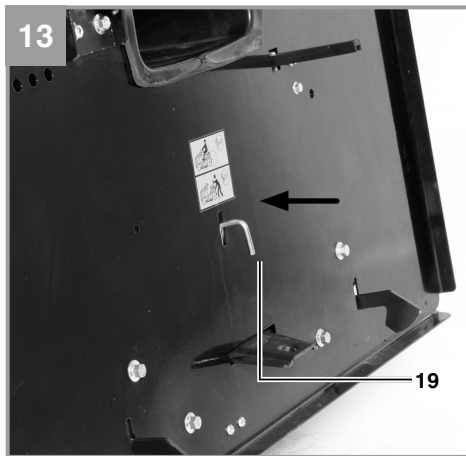
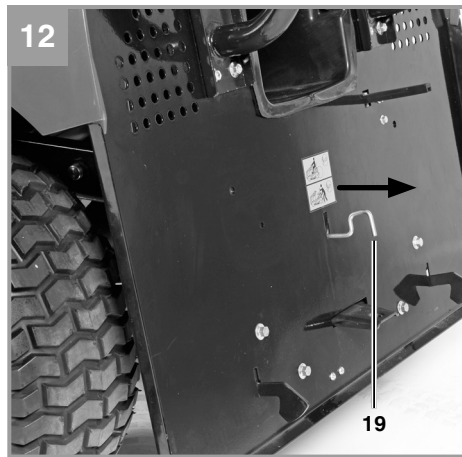
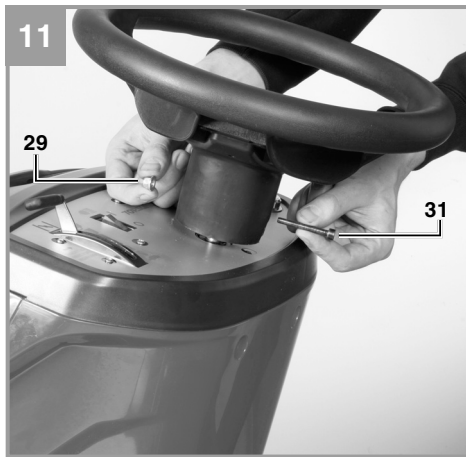
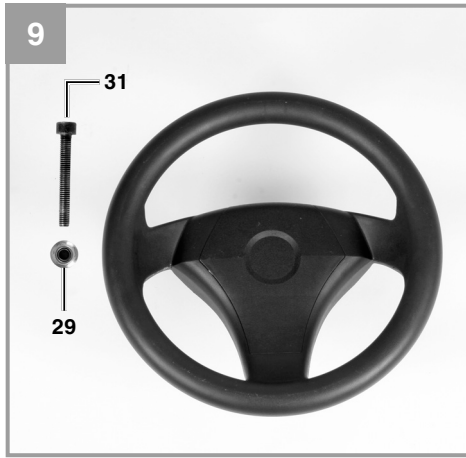
---

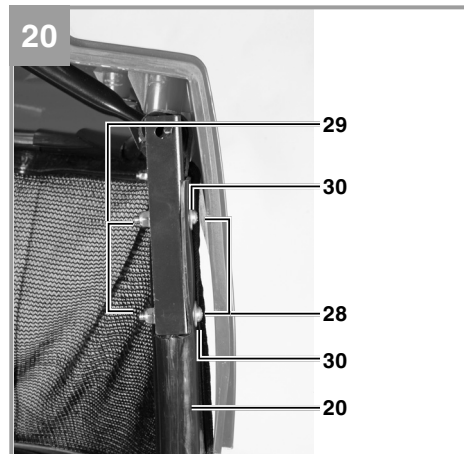
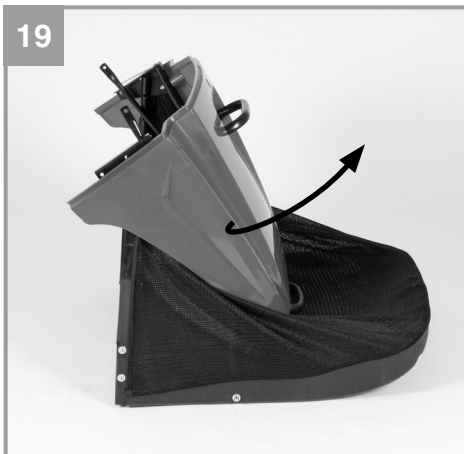
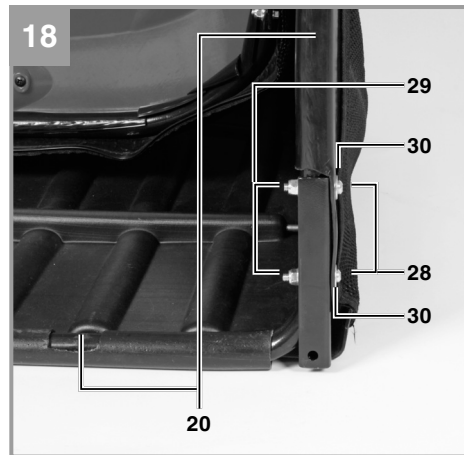
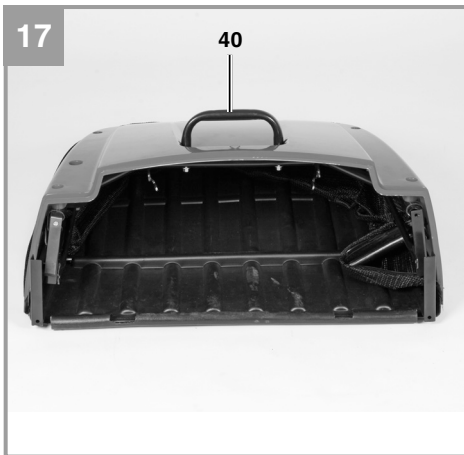
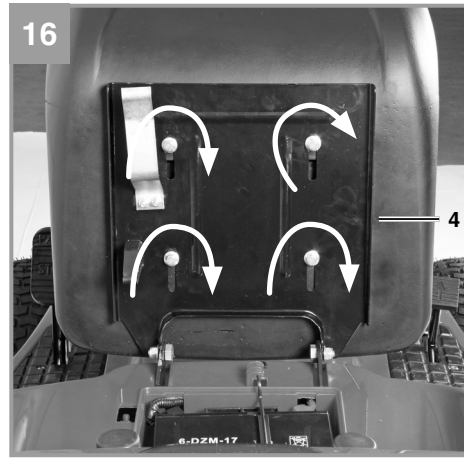
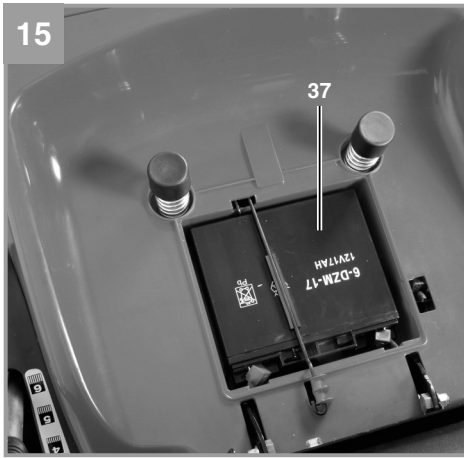
**Art.-Nr.: 34.006.21**

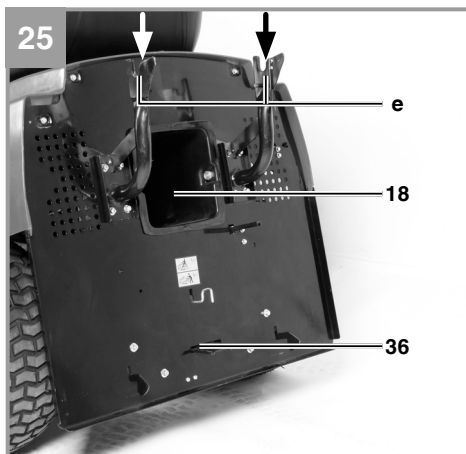
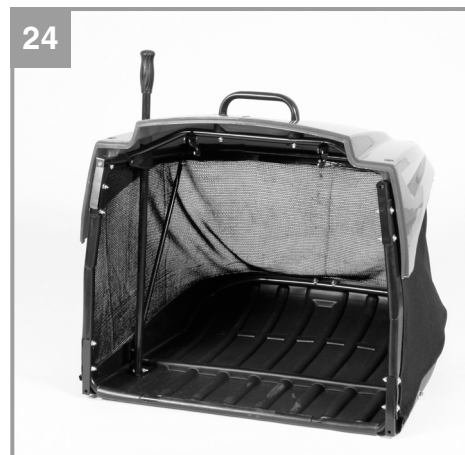
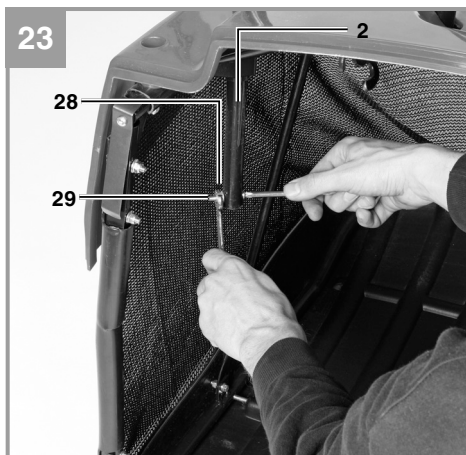
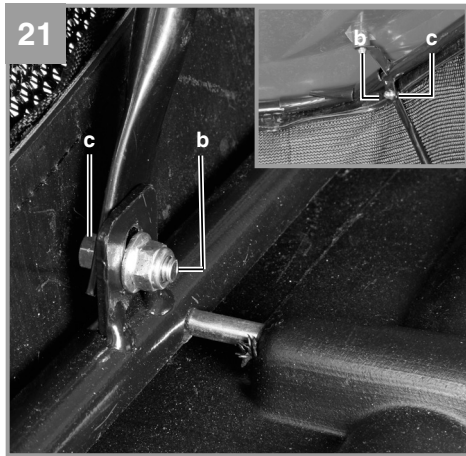
**I.-Nr.: 11012**

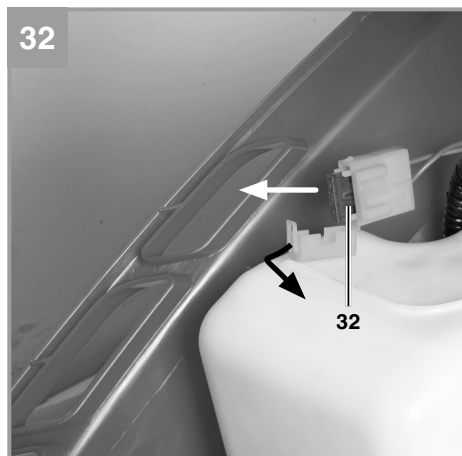
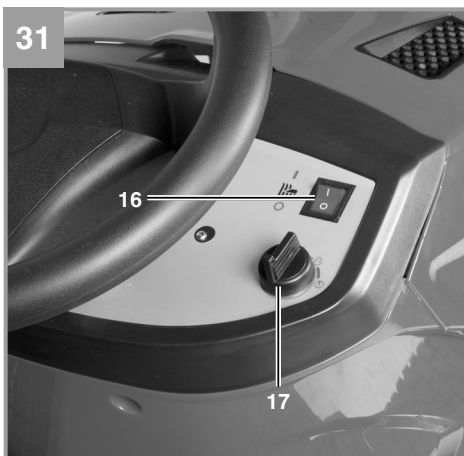
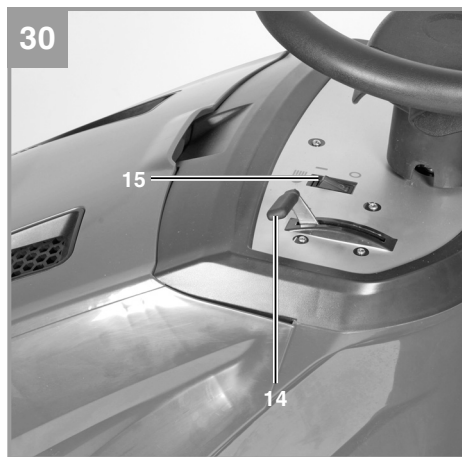
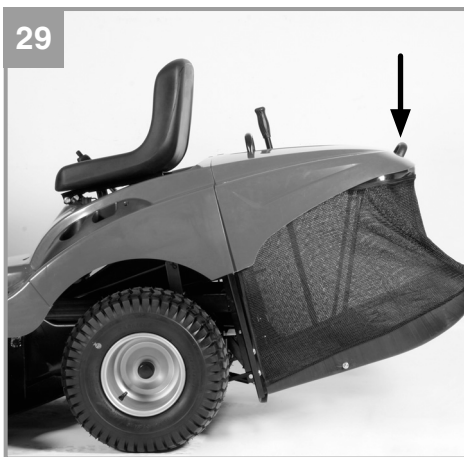
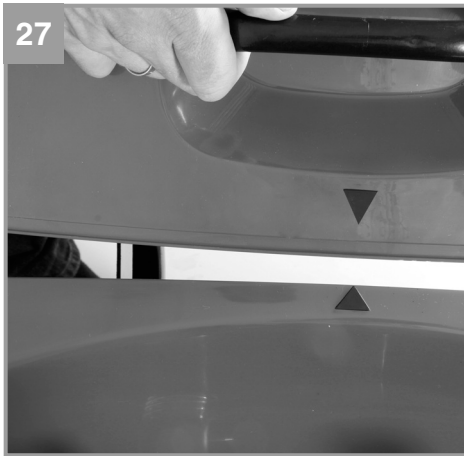


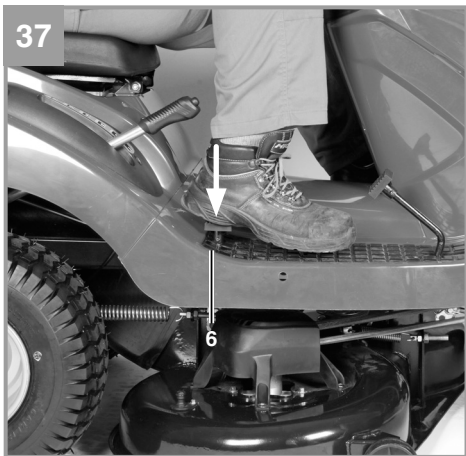
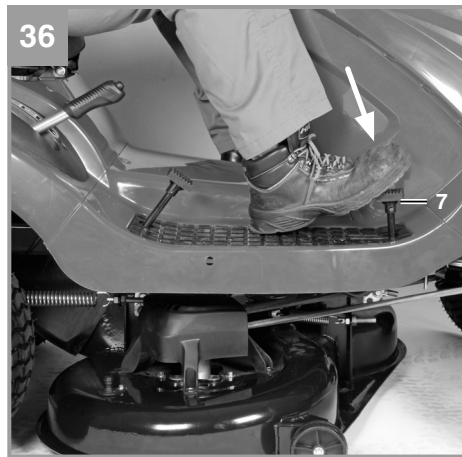
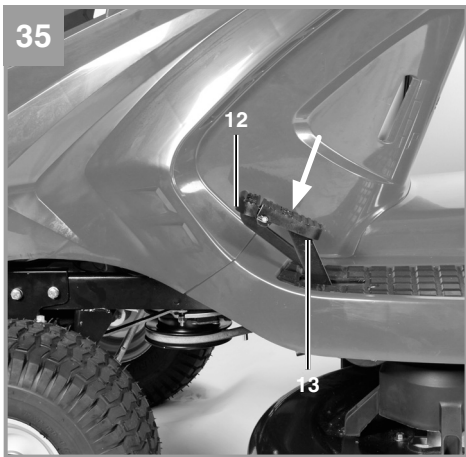
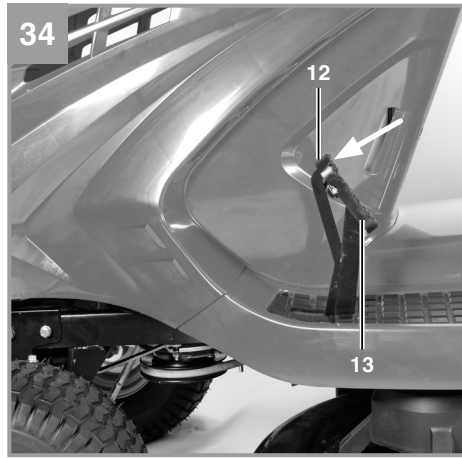
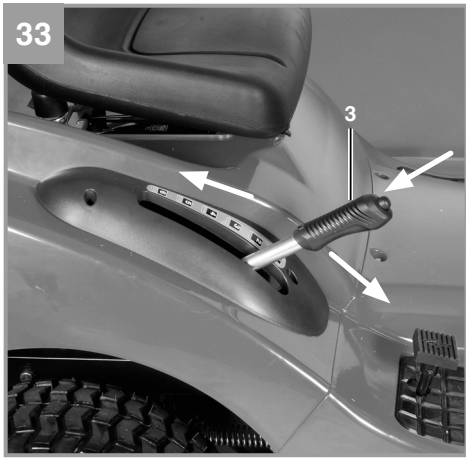




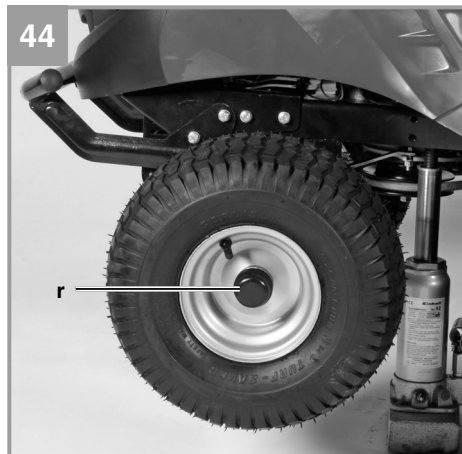
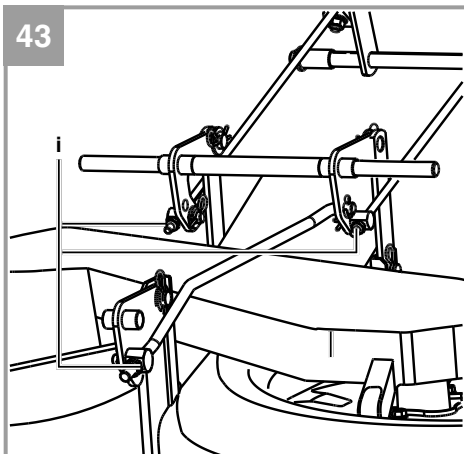
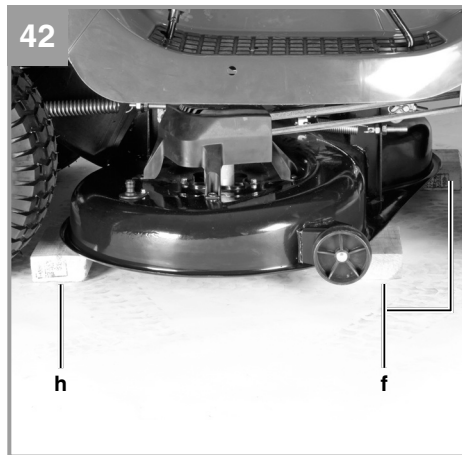
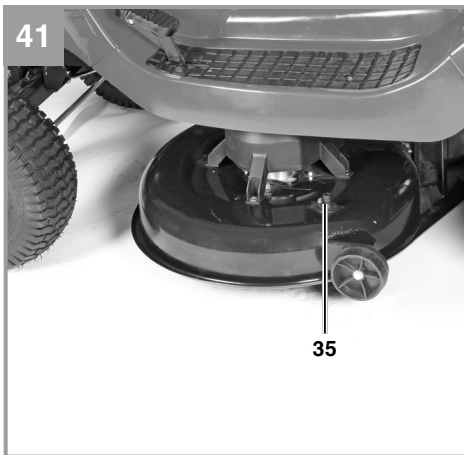
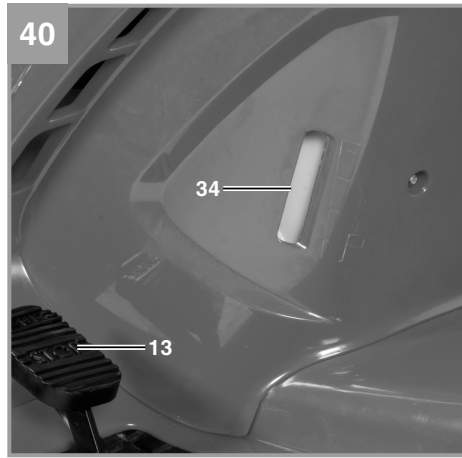
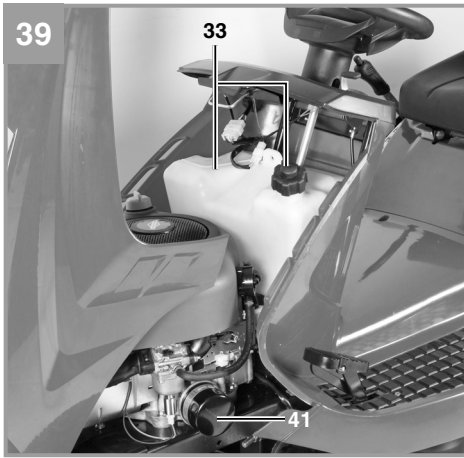


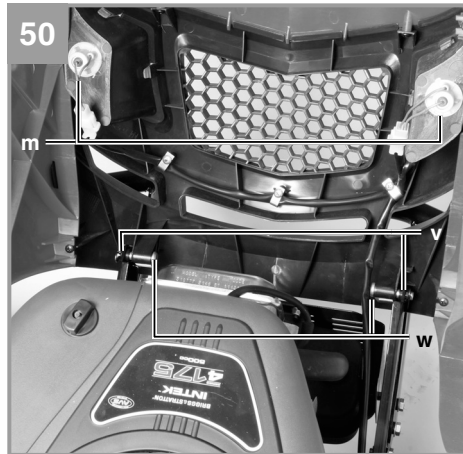
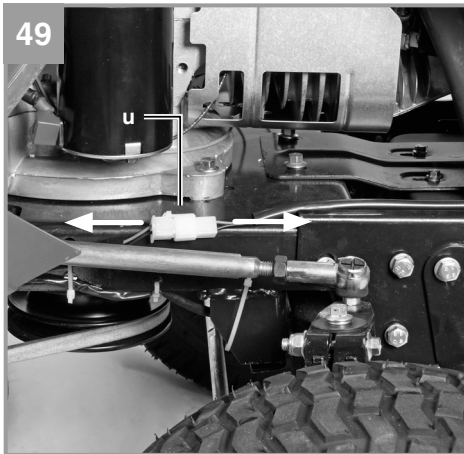
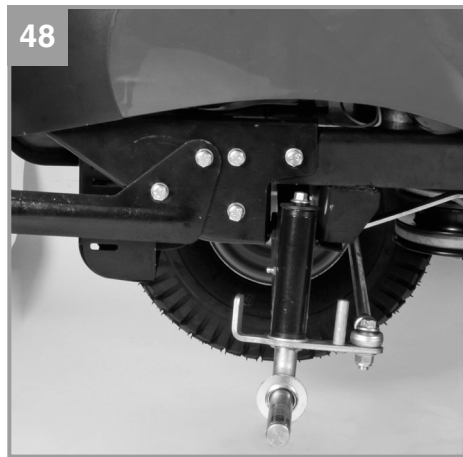
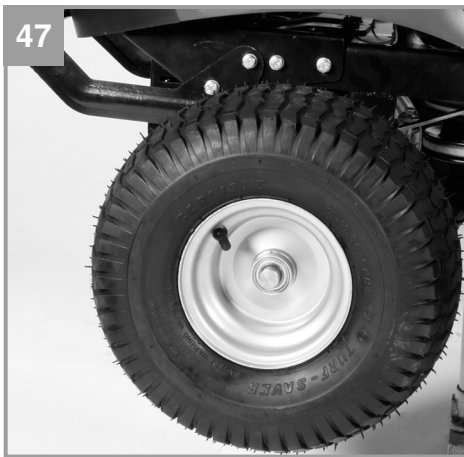
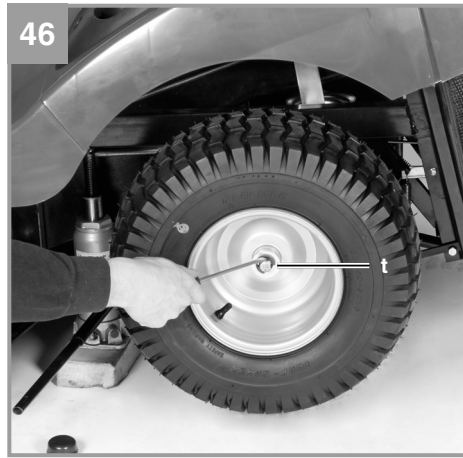


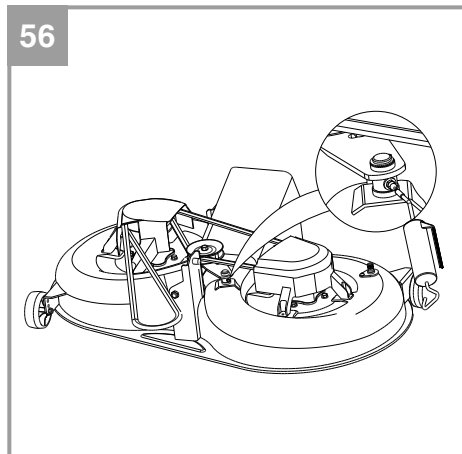
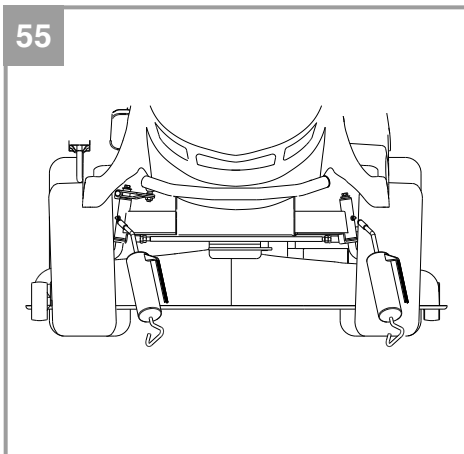
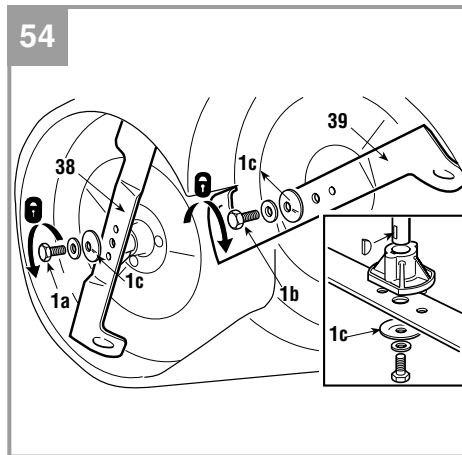
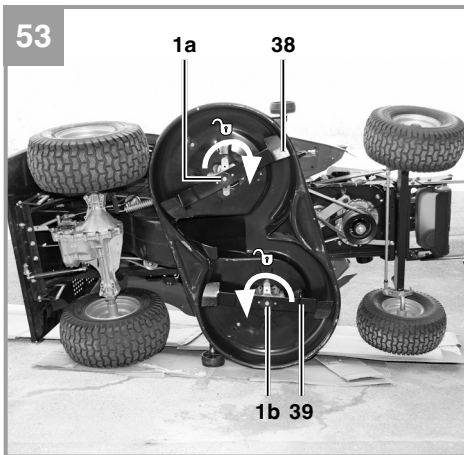
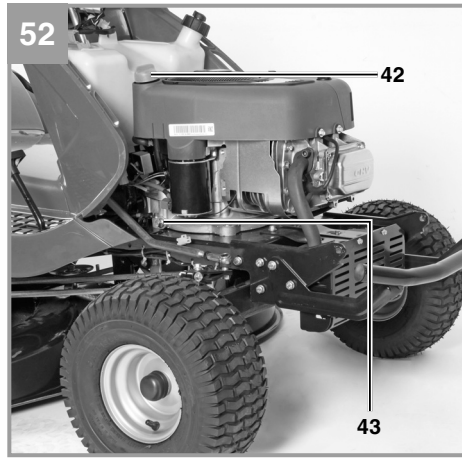


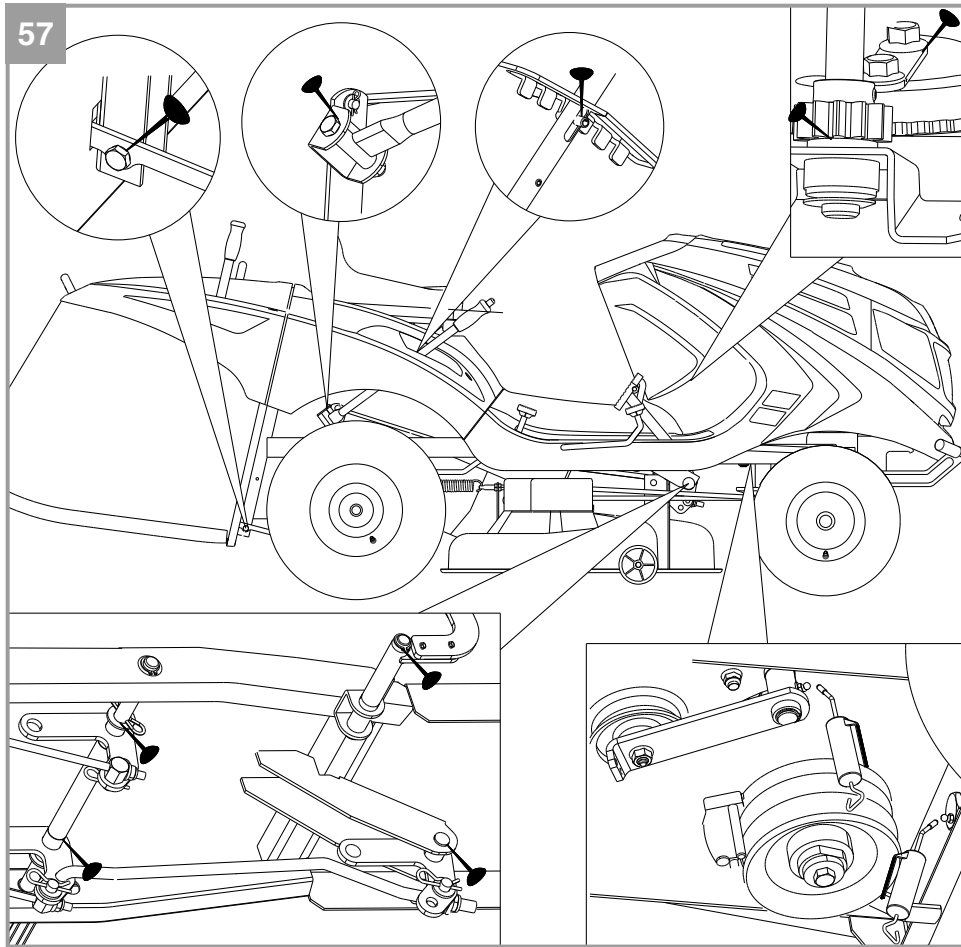














Two horizontal lines are positioned to the right of the pencil illustration. Below these, the page contains 25 additional horizontal lines, providing a total of 27 lines for writing.



Two horizontal lines are positioned to the right of the pencil illustration. Below these, the page contains 25 additional horizontal lines, providing a total of 27 lines for writing.



Two horizontal lines are positioned to the right of the pencil illustration. Below these, the page contains 25 additional horizontal lines, providing a total of 27 lines for writing or drawing.



EH 07/2012 (01)