

WORKZONE®



DETAIL SANDER USER GUIDE

Now you have purchased a Workzone® product you can rest assured in the knowledge that as well as your 3 year parts and labour guarantee you have the added peace of mind of dedicated helplines and web support.

AFTER SALES SUPPORT

 GB 0151 649 1500  www.einhell.co.uk
IRE 1890 946 6244

MODEL: WZDS 180, 01/2013

Contents

- 1 Welcome
- 2 General Information and Safety Instructions
- 3 Assembly and Parts List
- 4 Getting Started
- 5 Features
- 6 Instructions
- 7 FAQ
- 8 Warranty Card



Welcome

1

Congratulations!

You have made an excellent choice with the purchase of this quality Workzone® product.

By doing so you now have the assurance and peace of mind which comes from purchasing a product that has been manufactured to the highest standards of performance and safety, supported by the high quality standards of ALDI.

We want you to be completely satisfied with your purchase so this Workzone® product is backed by a comprehensive manufacturer's 3 year warranty and an outstanding after sales service through our dedicated Helpline.

We hope you will enjoy using your purchase for many years to come.

If you require technical support or in the unlikely event that your purchase is faulty please telephone our Helpline for immediate assistance. Faulty product claims made within the 3 year warranty period will be repaired or replaced free of charge provided that you have satisfactory proof of purchase (keep your till receipt safe!). This does not affect your statutory rights. However, be aware that the warranty will become null and void if the product is found to have been deliberately damaged, misused or disassembled.



General Information and Safety Instructions

2

CAUTION: Read all safety regulations and instructions. Any failures made in following the safety regulations and instructions may result in an electric shock, fire and/or serious injury. Keep all safety regulations and instructions in a safe place for future use.

The term “electric tool” used in the safety instructions refers to electric tools operated from the mains power supply (with a power cable) and to battery operated electric tools (without a power cable).

IMPORTANT INFORMATION TO THE USER: The Workzone Detail Sander (WZDS 180) may have **VISIBLE FLASHING** in the motor-housing when in operation or as it is switched off. This is perfectly normal for this product and not a cause for concern or an electric safety hazard.

Workplace safety

- Keep your work area clean and well illuminated. Untidy or unlit work areas can result in accidents.
- Do not operate the electric tool in an environment where there is a risk of explosions and where there are inflammable liquids, gases or dust. Electric tools produce sparks which could set the dust or vapours alight.
- Keep the electric tool out of the reach of children and other persons. If there is a distraction, you may lose control of the appliance.

Electrical safety

- The connector plug from this electric tool must fit into the socket. The plug should never be altered in any way. Never use adapter plugs together with earthed electric tools. Unaltered plugs and correct sockets reduce the risk of an electric shock.
- Avoid bodily contact with earthed surfaces such as pipes, heating, ovens and fridges. The risk of electric shock is increased if your body is earthed.
- Keep the tool out of the rain and away from moisture. The ingress of water into an electric tool increases the risk of an electric shock.



General Information and Safety Instructions

2

- Do not use the cable to carry the electric tool, to hang it up or to pull it out of the socket. Keep the cable away from heat, oil, sharp edges and moving parts of the appliance. Damaged or entangled cables increase the risk of an electric shock.
- If you are working outdoors with an electric tool, only use extension cables which are designed specifically for this purpose. Using specially designed outdoor extension cables, reduces the risk of electric shock.

Safety of persons

- Be careful, watch what you are doing and use an electric tool sensibly. Do not use the tool if you are tired or under the influence of drugs, alcohol or medication. A moment of inattention when using the electric tool can result in serious injuries.
- Wear personal protection equipment and always wear safety goggles. Wearing personal protection (such as dust masks, non-slip safety shoes, safety helmet or ear protection, depending upon the type and use of the electric tool) reduces the risk of injury.
- Make sure that the appliance cannot start up accidentally. Ensure that the electric tool is switched off before you connect it to the power supply and/or insert the battery, or pick up or carry the tool. If your finger is on the switch whilst carrying the electric tool or if you connect the appliance to the mains when it is switched on, this can lead to accidents.
- Remove keys and wrenches before switching on the electric tool. A tool or key which comes into contact with rotating parts of the appliance can lead to injuries.
- Avoid abnormal working postures. Make sure you stand squarely and keep your balance at all times. In this way, you can control the electric tool better in unexpected circumstances.
- Wear suitable work clothes. Do not wear loose clothing or jewellery. Keep hair, clothes and gloves away from moving parts. Loose clothing, jewellery or long hair can get trapped in moving parts.
- If vacuuming devices and draining devices can be fitted, make sure that these are correctly attached and correctly used. The use of a dust extraction system can reduce the danger posed by dust.



General Information and Safety Instructions

2

Usage and treatment of the electric tool

- Do not overload the appliance. Use the correct tool for your work. You will be able to work better and more safely within the given performance boundaries.
- Do not use an electric tool with a defective switch. An electric tool that cannot be switched on or off is dangerous and must be repaired.
- Pull the plug out of the socket and/or remove the battery before making any adjustments to the appliance, changing accessories or putting the appliance down. This safety measure prevents starting the electric tool unintentionally.
- Keep unused electric tools out of the reach of children. Do not allow people who are not familiar with the appliance or who have not read these instructions to use the appliance. Electric tools are dangerous if they are used by inexperienced people.
- Clean your electric tool carefully. Check whether moving parts are functioning properly and not jamming, and whether parts are broken or damaged enough that the functioning of this electric tool is affected. Have damaged parts repaired before using the appliance. Many accidents are caused by badly maintained electric tools.
- Keep your cutting tools sharp and clean. Carefully maintained cutting tools with sharp cutting edges will jam less and are easier to control.
- Make sure to use electric tools, accessories, attachments, etc. in accordance with these instructions. Take the conditions in your work area and the job in hand into account. Using electric tools for any purpose other than the one for which they are intended can lead to dangerous situations.

Service

- Have your electric tool repaired only by trained personnel using only genuine spare parts. This will ensure that your electric tool remains safe to use.

General Information and Safety Instructions

2

Additional safety instructions

- This tool may only be used for dry grinding/sanding operations.
- Always guide the power cable away from the back of the tool.
- Use of the tool on materials containing asbestos is prohibited.
- Always remove the plug from the power supply socket before carrying out any work on the machine (cleaning the sander, changing the sandpaper, etc.).
- Always disconnect the machine by removing the plug from the socket, not by pulling on the power cable.
- To protect your health, always wear safety goggles and a dust mask during sanding work.
- Keep your workplace clean and well illuminated.
- Make sure that the workpiece is sufficiently secured so that it cannot slip.
- Keep children away.
- For your own sake, keep the machine clean at all times and check it for signs of damage each time after using it.
- Make sure that the switch is set to OFF before you insert the plug into the power supply socket.
- Make sure of your footing, particularly when working on ladders and platforms.
- Touching or inhaling this dust can be harmful for the operator and other persons nearby.
- Hold the equipment by the insulated handles because the grinding/sanding belt may strike the equipment's own power cable. Damaging a live cable may make the metal parts of the equipment live and cause an electric shock.
- If you discover any damage to the machine, use the exploded diagram and the spare parts list to determine which parts need to be ordered from Customer Service.

Important: Wear safety goggles and a dust mask.

Do not lose these safety instructions.

General Information and Safety Instructions

2

IMPORTANT: When using this equipment, a few safety precautions must be observed to avoid injuries and damage. Please read the complete operating manual with due care. Keep this manual in a safe place, so that the information is available at all times. If you give the equipment to any other person, give them these operating instructions as well. We accept no liability for damage or accidents which arise due to non-observance of these instructions and the safety information.

Safety regulations

The corresponding safety information can be found at the front of this booklet.

CAUTION: Read all safety regulations and instructions. Any errors made in following the safety regulations and instructions may result in an electric shock, fire and/or serious injury. Keep all safety regulations and instructions in a safe place for future use.



Caution

Read the operating instructions to reduce the risk of injury.



Wear ear-muffs

The impact of noise can cause damage to hearing.



Wear a breathing mask

Dust which is injurious to health can be generated when working on wood and other materials. Never use the device to work on any materials containing asbestos!



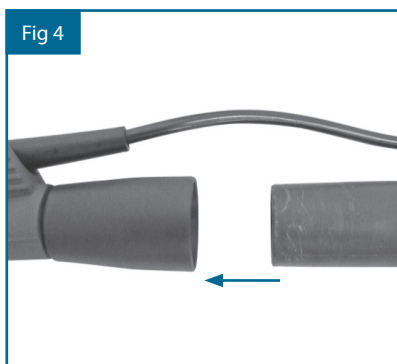
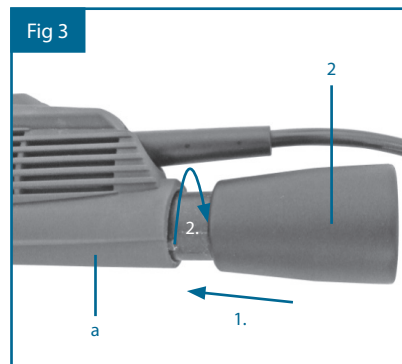
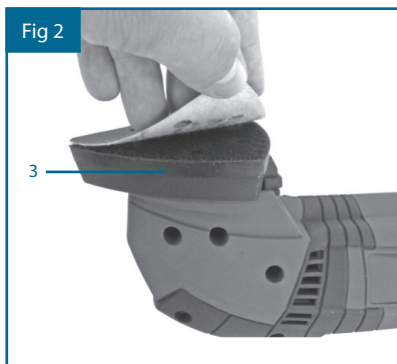
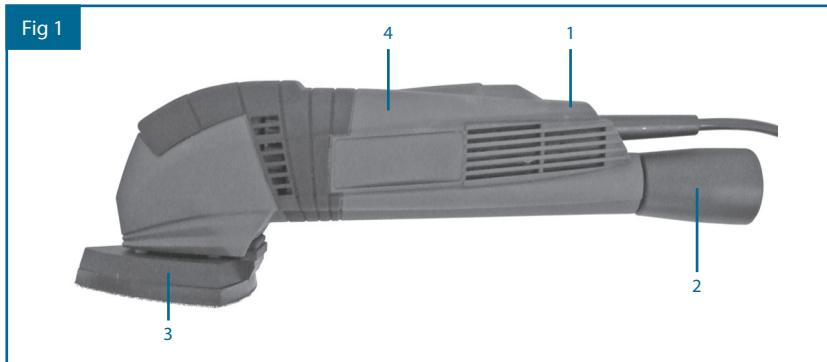
Wear safety goggles

Sparks generated during working or splinters, chips and dust emitted by the device can cause loss of sight.



Assembly and Parts List

3



Assembly and Parts List

3

Layout

1. Operating switch
2. Dust extractor adapter
3. Oscillating plate
4. Handle

Proper use

The Detail grinder/sander is designed for the sanding/grinding of wood, iron, plastic and similar materials using the appropriate sanding/grinding paper. The equipment is to be used only for its prescribed purpose. Any other use is deemed to be a case of misuse. The user / operator and not the manufacturer will be liable for any damage or injuries of any kind caused as a result of this. Please note that our equipment has not been designed for use in commercial, trade or industrial applications. Our warranty will be voided if the machine is used in commercial, trade or industrial businesses or for equivalent purposes.



Getting Started

4

Before starting the equipment

Before you connect the equipment to the mains supply make sure that the data on the rating plate are identical to the mains data. Always pull out the power plug before making adjustments to the equipment.

Cleaning, maintenance and ordering of spare parts

Always pull out the mains power plug from the power supply socket before starting any cleaning work.

Changing the abrasive paper (Figure 2/Item 3)

- The sanding/grinding disk comes with a Velcro fastening system for sanding/grinding paper. This permits new sanding/grinding paper to be attached without a clamping device.

Before you attach a new piece of sanding/grinding paper, knock out any dirt from the Velcro fastener and clean with a brush or, if necessary, with compressed air. Place the sanding/grinding paper on the sanding/grinding disk. Make sure that the holes for the dust extraction coincide with each other. Fix the sanding/grinding paper in place by pressing it firmly with your hand.


Installing the dust extractor adapter (Figure 3-4/Item 2)

- Connect the dust extractor adapter (2) to the dust extractor connector (a) as shown in Fig. 3 and secure it by turning it. Connect the dust extractor adapter to a suitable dust extraction system.

Features

5

Technical data

Mains connection	230 Volt ~ 50 Hz
Power input	180 W
Oscillations	10000 min ⁻¹
Abrasive paper size	90 x 90 x 90 mm
Protection class	II / 
Weight	1.1 kg

Sound and vibration

Sound and vibration values were measured in accordance with EN 60745.

L _{pA} sound pressure level	73 dB(A)
K _{pA} uncertainty	3 dB
L _{WA} sound power level	84 dB(A)
K _{WA} uncertainty	3 dB

Wear ear-muffs

The impact of noise can cause damage to hearing. Total vibration values (vector sum of three directions) determined in accordance with EN 60745. Vibration emission value $a_h = 2.7 \text{ m/s}^2$ K uncertainty = 1.5 m/s^2

IMPORTANT: The vibration value changes according to the area of application of the electric tool and may exceed the specified value in exceptional circumstances.

Starting up

Switching the equipment ON/OFF (Fig. 5/Item 1)

- To switch on the equipment, press the switch (1) from 0 to 1.

Notes on working practice

- This equipment offers particularly high performance for the sanding/grinding of hard-to-reach corners and edges. To sand/grind profiles and channels you can also work with just the tip or the edge of the sanding/grinding disk. Various sanding/grinding papers are available, specially designed for the different types of material you may be working on and the amount you wish to remove from the surface. The amount removed will depend largely on the choice of sanding/grinding paper and pressure applied to the sanding/grinding disk.

Replacing the power cable

If the power cable for this equipment is damaged, it must be replaced by the manufacturer or its aftersales service or similarly trained personnel to avoid danger.

Cleaning, maintenance and ordering of spare parts

Always pull out the mains power plug from the power supply socket before starting any cleaning work.

Cleaning

- Keep all safety devices, air vents and the motor housing free of dirt and dust as far as possible. Wipe the equipment with a clean cloth or blow it with compressed air at low pressure.
- We recommend that you clean the device immediately each time you have finished using it.
- Clean the equipment regularly with a moist cloth and some soft soap. Do not use cleaning agents or solvents; these could attack the plastic parts of the equipment. Ensure that no water can seep into the device.

Carbon brushes

- In case of excessive sparking, have the carbon brushes checked only by a qualified electrician. Important! The carbon brushes should not be replaced by anyone but a qualified electrician.

Maintenance

- There are no parts inside the equipment which require additional maintenance.

Ordering replacement parts:

Please quote the following data when ordering replacement parts:

- Type of machine: WZDS 180
- Article number of the machine: 44.642.32
- Identification number of the machine: 11012
- Replacement part number of the part required For our latest prices and information please go to www.einhell.co.uk

Disposal and recycling

The unit is supplied in packaging to prevent its being damaged in transit. This packaging is raw material and can therefore be reused or can be returned to the raw material system.

The unit and its accessories are made of various types of material, such as metal and plastic. Defective components must be disposed of as special waste. Ask your dealer or your local council.

Einhell Germany AG · Wiesenweg 22 · D-94405 Landau/Isar



Declaration of Conformity

- erklært følgende Konformität gemäß EU-Richtlinie und Normen für Artikel
 explains the following conformity according to EU directives and norms for the following product
 déclare la conformité suivante selon la directive CE et les normes concernant l'article
 dichiara la seguente conformità secondo la direttiva UE e le norme per l'articolo
 verklaart de volgende overeenstemming conform EU richtlijn en normen voor het product
 declara la siguiente conformidad a tenor de la directiva y normas de la UE para el artículo
 declara a seguinte conformidade, de acordo com a directiva CE e normas para o artigo
 atterer følgende overensstemmelse i medfør af EU-direktiv samt standarder for artikel
 förklarar följande överensstämmelse enl. EU-direktiv och standarder för artikeln
 vakuuttaa, että tuote täyttää EU-direktiivin ja standardien vaatimukset
 tõendab toote vastavust EL direktiivile ja standarditele
 vydává následující prohlášení o shodě podle směrnic EU a norem pro výrobek
 potvrjuje sledeću skladnost s smernico EU in standardi za izdelek
 vydává nasledujúce prehlásenie o zhode podľa smernice EÚ a noriem pre výrobok
 a cikkekhez az EU-irányvonal és Normák szerint a következő konformitást jelenti ki
 deklaruje zgodność wymienionego poniżej artykułu z następującymi normami na podstawie dyrektywy WE.
 декларира съответното съответствие съгласно Директива на ЕС и норми за артикул
 paskaidro šādu atbilstību ES direktīvai un standartiem
 apibūdina šī atbilstīgu EU reikalavimams ir prekės normoms
 declară următoarea conformitate conform directivei UE și normelor pentru articolul
 δηλώνει την ακόλουθη συμμόρφωση σύμφωνα με την Οδηγία ΕΚ και τα πρότυπα για το προϊόν
 potvrđuje sjeđeću usklađenost prema smjernicama EU i normama za artikl
 potvrđuje sjeđeću usklađenost prema smjernicama EU i normama za artikl
 potvrđuje sledeću usklađenost prema smernicama EZ i normama za artikal
 следующим удостоверяется, что следующие продукты соответствуют директивам и нормам ЕС
 проголошуе про зазначену нижче відповідність виробу директивам та стандартам ЄС на виріб
 ja izjavuя следната сообразност согласно ЕУ-директивата и нормите за артикли
 Ürünü ile ilgili AB direktifleri ve normları gereğince aşağıda açıklanan uygunluđu belirtir
 erklærer følgende samsvar i henhold til EU-direktivet og standarder for artikkel
 Lýsir uppyflingu EU-regna og annarra staða vöru

Detail Sander WZDS 180 (Workzone)

- 87/404/EC_2009/105/EC
 2005/32/EC_2009/125/EC
 2006/95/EC
 2006/28/EC
 2004/108/EC
 2004/22/EC
 1999/5/EC
 97/23/EC
 90/396/EC_2009/142/EC
 89/686/EC_96/58/EC
 2011/65/EC
 2006/42/EC
 Annex IV
 Notified Body:
 Notified Body No.:
 Reg. No.:
 2000/14/EC_2005/88/EC
 Annex V
 Annex VI
 Noise: measured L_{WA} = dB (A); guaranteed L_{WA} = dB (A)
 P = KW; L₀ = cm
 Notified Body:
 2004/26/EC
 Emission No.:

Standard references: EN 60745-1; EN 60745-2-4; EN 55014-1; EN 55014-2;
EN 61000-3-2; EN 61000-3-3

Landau/Isar, den 23.08.2012

Weichselgartner/Gefieral/Manager

Unger/Product-Management

First CE: 08
Art.-No.: 44.642.32 I.-No.: 11012
Subject to change without notice

Archive-File/Record: NAPR006598
Documents registrar: Protschka Daniel
Wiesenweg 22, D-94405 Landau/Isar





For EU countries only

Never place any electric tools in your household refuse.

To comply with European Directive 2002/96/EC concerning old electric and electronic equipment and its implementation in national laws, old electric tools have to be separated from other waste and disposed of in an environment-friendly fashion, e.g. by taking to a recycling depot.

Recycling alternative to the demand to return electrical devices:

As an alternative to returning the electrical device, the owner is obliged to cooperate in ensuring that the device is properly recycled if ownership is relinquished. This can also be done by handing over the used device to a returns centre, which will dispose of it in accordance with national commercial and industrial waste management legislation. This does not apply to the accessories and auxiliary equipment without any electrical components which are included with the used device.

The reprinting or reproduction by any other means, in whole or in part, of documentation and papers accompanying products is permitted only with the express consent of ISC GmbH.



<p>How do I claim for a warranty matter?</p>	<ol style="list-style-type: none"> 1. Fill in the Warranty card and send to the Einhell UK Ltd Address. 2. Contact Einhell UK Ltd, using one of the Telephone numbers for AFTER SALES SUPPORT. 3. Or contact via the Einhell UK Ltd website.
<p>How do I obtain spare parts (not covered by the warranty)?</p>	<p>Make sure you have the information from the product data label, or page 14 of this user guide, and then:</p> <ol style="list-style-type: none"> 1. Contact Einhell UK Ltd, using one of the Telephone numbers for AFTER SALES SUPPORT, and choose the option for Spare Parts. 2. Or contact via the Einhell UK Ltd website, where spares information & prices are available.
<p>What do I do if I accidentally cut the mains cable?</p>	<p>To avoid danger, get an electrician or suitably qualified person to:</p> <ol style="list-style-type: none"> 1. Fit a waterproof connector to re-join the cable. 2. Or replace the mains cable into the unit.



Warranty Card

8

WORKZONE®

180W DETAIL SANDER

Your details:

Name _____

Address _____



_____ Email _____

Date of purchase* _____

*We recommend you keep the receipt with this warranty card

Location of purchase _____

Description of malfunction:

Return your completed warranty card to:

Einhell UK Ltd
Unit 5 Morpeth Wharf
Twelve Quays
Wirral
CH41 1LF
England

www.einhell.co.uk/warranty

AFTER SALES SUPPORT



GB 0151 649 1500

IRL 1890 946 6244



www.einhell.co.uk

MODEL: WZDS 180, 01/2013

Monday to Thursday 8:45am - 5pm,
Friday 8:45am - 3pm.

3

YEAR WARRANTY



